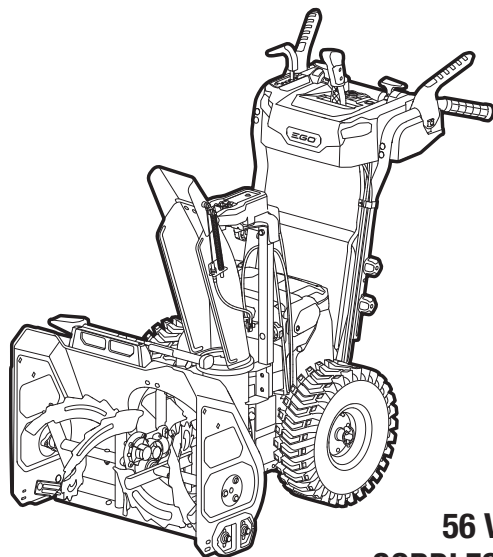


EGO™

POWER⁺ SNOW BLOWER

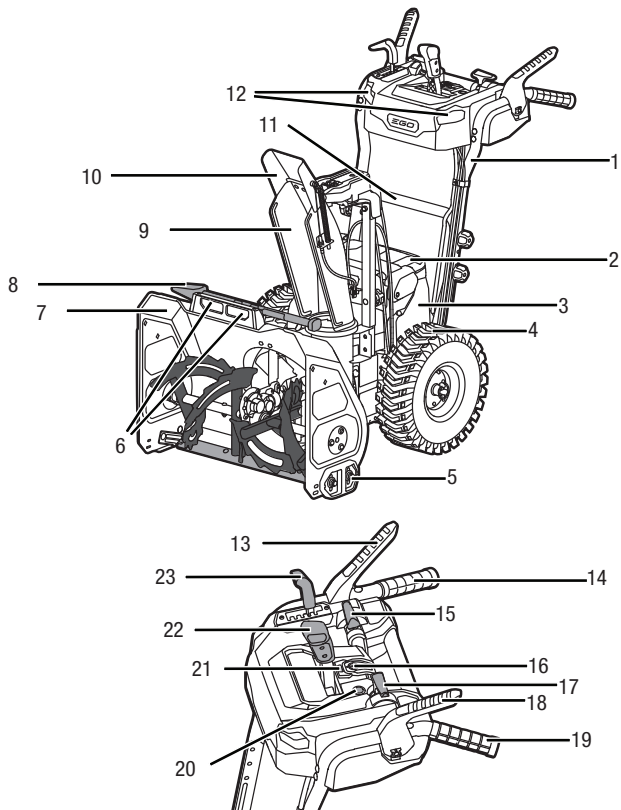


SNT2400E

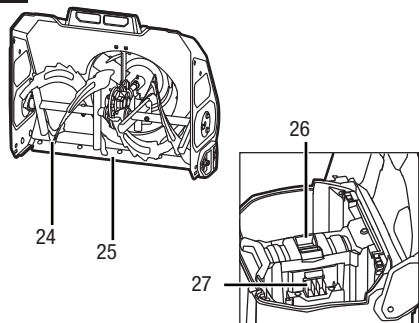
56 VOLT LITHIUM-ION CORDLESS SNOW BLOWER

EN	56 volt lithium-ion cordless snow blower	5	SL	56-voltna litij-ionska brezžična snežna freza	141
DE	Akku-schneefräse (mit 56 v lithium-ionen-akku)	12	LT	Belaidis sniego pūstuvass su 56 voltų ličio jonų baterija	148
FR	Fraise a neige sans fil lithium-ion 56 v	20	LV	56 voltu litija jonu bezvadu sniega pūtējs	155
ES	Soplador de nieve inalámbrico con batería de iones de litio de 56 voltios	28	GR	Ασύρματος φασηγηρας χιονιου ιοντων λιθιου 56volt162	
PT	Soprador de neve sem fios com bateria de ião de lítio de 56 volts	36	TR	56 volt lityum-lyon kablosuz kar üfleme makinesi170	
IT	Sgombraneve cordless li-ion 56 volt	44	ET	56-voldise liitiumioonakuga juhtmeta lumepuhur	177
NL	56 volt lithium-ion accu-sneeuwblazer	52	UK	56-вольтний літій-іонний акумуляторний снігоочисник	184
DK	56 volt litium-ion ledningsfri sneblæser	60	BG	56 волта литиево-йонна безкабелна машина за почистване на сняг	191
SE	56 volts litium-jon sladdlös snöslunga	67	HR	Bežični otpuhivač snijega s 56-voltnom litij-ions kom baterijom	199
FI	Akkukäyttöinen lumilinko 56 voltin litiumioniakulla74		KA	56- ვოლტაიანი ლითიუმ-იონის უსადენო თოვლის საბურველა	206
NO	56 volt lithium-ion batteridrevet snow blower	81	SR	Bežični duvač za sneg sa litijum-jonskom baterijom od 56 volti	215
RU	Акумуляторный снегоочиститель с литий-ионным аккумулятором 56 в	88	BS	Kumulatorski čistač snijega s litij-ionskom baterijom od 56 v	222
PL	Akumulatorowa odsnieżarka litowo-jonowa 56 woltów	98	HE	מפוח שלג אלחוטי עם סוללת ליטיום-56 וולט	243
CZ	56 v lithium-iontová akumulátorová sněhová fréza107		AR	مفخاخ تلح لاسلكي ببطارية ليثيوم-أيون 56 فولت	236
SK	56 v litium-iónová akumulátorová snehová fréza	115			
HU	56 voltos lítium-ion akkumulátoros hófúvó	123			
RO	Suflantă pentru zăpadă fără fir cu acumulator de litiu ion de 56 volți	131			

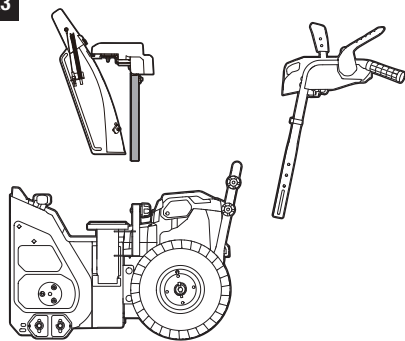
A1



A2

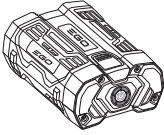


A3

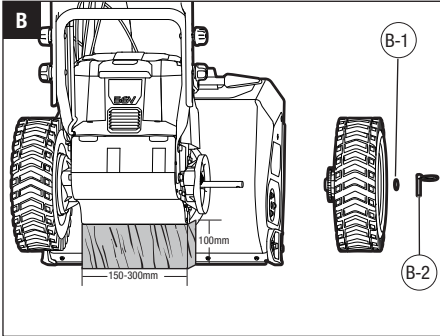
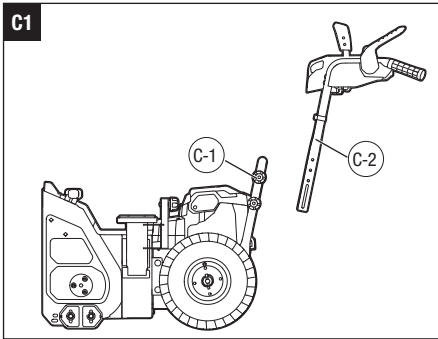
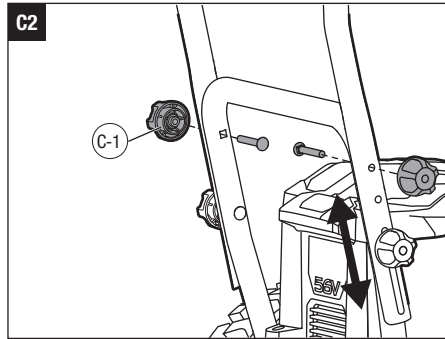
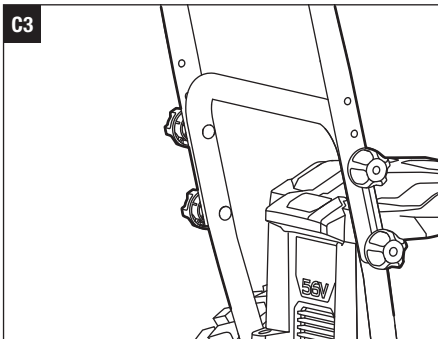
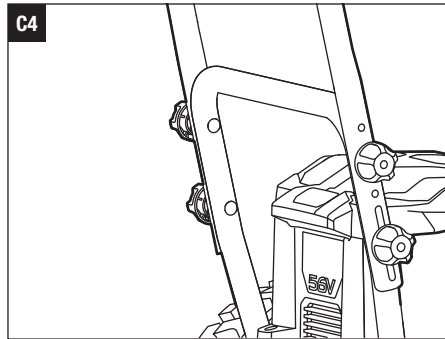
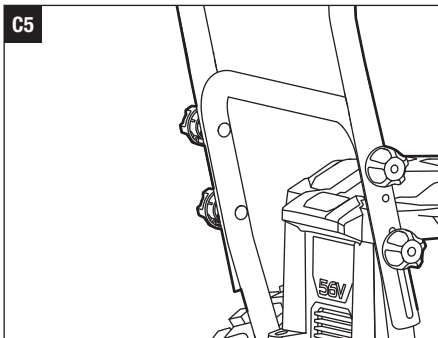
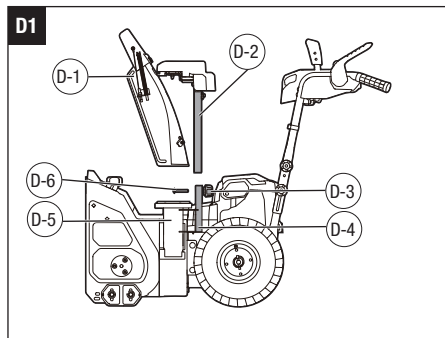


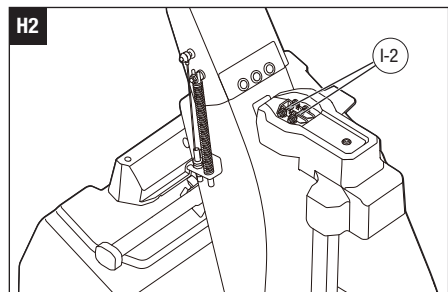
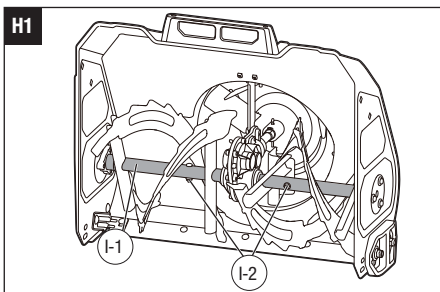
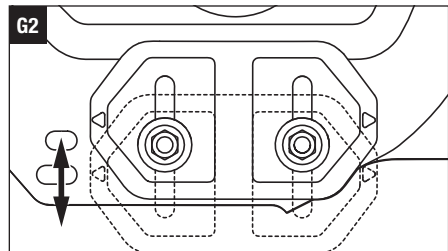
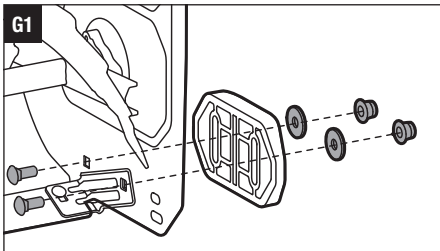
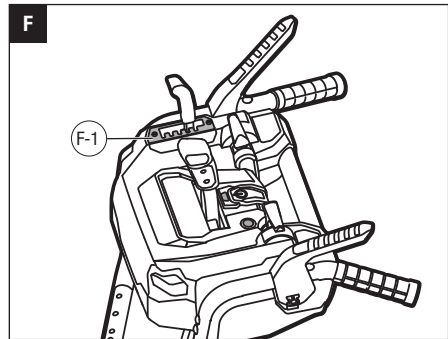
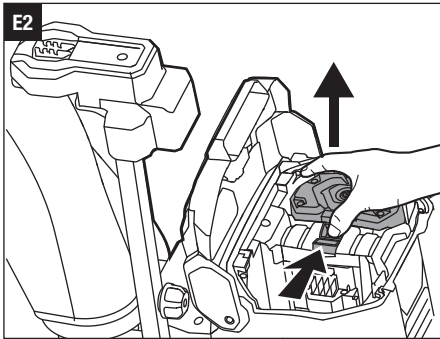
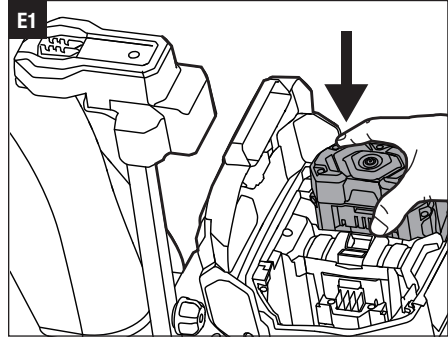
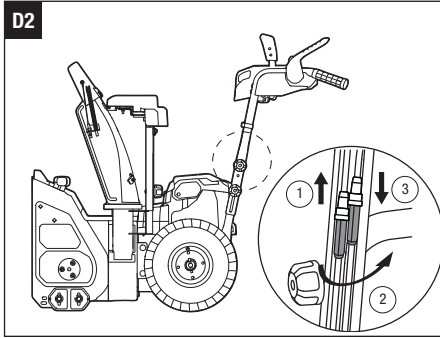
A4

BA1400, BA2800, BA4200,
BA1400T, BA2240T, BA2242T,
BA2800T, BA3360T, BA4200T,
BA5600T, BA6720T, BA4480X



CH2100E, CH5500E,
CH3200E, CH7000E,
CH7000E-T

**B****C1****C2****C3****C4****C5****D1**



EGO Europe GmbH
Autenbachstraße 11, 71711 Steinheim an der Murr, Germany

Chervon Europe Ltd
The Anchorage, 34 Bridge Street Reading, RG1 2LU, United Kingdom

READ ALL INSTRUCTIONS!

Intended use: Removing snow from areas such as driveways and sidewalks.

⚠ WARNING: Be sure to read and understand all safety instructions in this Operator's Manual, including all safety alert symbols such as **"DANGER," "WARNING,"** and **"CAUTION"** before using this tool. Failure to follow all instructions listed below may result in electric shock, fire, and/or serious personal injury.

⚠ WARNING: The operation of any power tools can result in foreign objects being thrown into your eyes, which can result in severe eye damage. Before beginning power tool operation, always wear safety goggles or safety glasses with side shields or a full face shield when needed. We recommend a Wide Vision Safety Mask for use over eyeglasses or standard safety glasses with side shields.

SAFETY SYMBOLS



Safety Alert



To reduce the risk of injury, user must read and understand operator's manual before using this product.



Keep feet & hand away



Always wear safety goggles or safety glasses with side shields and a full face shield when operating this product.



CAUTION: Do not stare at operating lamp.



DANGER — Shut off the engine before unclogging the discharge chute. To reduce the risk of injury, keep hands and feet away from rotating parts. Blockages, which should be cleared only after shutting the engine off and never by hand.



t of Impeller



Waste electrical products should not be disposed of with household waste. Take to an authorized recycler.



Guaranteed sound power level. According to the European community's Directive.



This product is in accordance with applicable EC directive



Direct Currents



This product is in accordance with applicable UK legislation.

kg

Kilogram

V

Volt

IPX4

Protection against water jets

SPECIFICATIONS

Voltage	56 V	
Clearing Width	61 cm	
Intake Height	51 cm	
Throwing Distance	13 m	
Wheel Size	38 cm	
Weight	68 kg	
Recommended Operating Temperature	-20°C-10°C	
Recommended Storage Temperature	-20°C-70°C	
Measured sound power level L_{WA}	96.61 dB(A) K=1.6 dB(A)	
Sound pressure level at operator's ear L_{PA}	82.5 dB(A) K=4 dB(A)	
Guaranteed sound power level L_{WA} (measured according to 2000/14/EC)	98 dB(A)	
Valuation of vibration $a_{h,v}$:	Left handle	0.3 m/s ² K=1.5 m/s ²
	Right handle	0.4 m/s ² K=1.5 m/s ²

DESCRIPTION

KNOW YOUR SNOW BLOWER (Fig. A1 & A2)

- Side Rail
- Battery Cover
- Battery Compartment
- Wheels
- Skid Shoe
- LED Headlights
- Deck
- Chute Cleaning Tool
- Snow-Discharge Chute
- Chute Deflector
- Rear Handle
- LED Sidelights
- Auger Switch Trigger
- Right Main Handle
- Auger Speed-Control Lever
- Safety Button
- Self-Propel Speed-Control Lever
- Self-Propel Trigger

- Left Main Handle
- LED Light Button
- LED Indicator
- Chute-Rotation Handle
- Chute-Deflector Handle
- Auger
- Scraper Bar
- Battery-Release Button
- Electric Contacts

PACKING LIST (FIG.A3)

ASSEMBLY

MOUNTING/DETACHING WHEEL

- Position the snow blower according to Fig. B for easier mounting.
- Remove the outer gasket and wheel-locking pin from the shaft.
- Assemble the wheel and outer gasket. Lock them with the wheel-locking pin.

Notice: Check the wheel before installation to make sure the arrow of the wheel is forward (Fig. B).

B-1	Outer Gasket	B-2	Wheel-Locking pin
-----	--------------	-----	-------------------

TO INSTALL THE HANDLE ASSEMBLY

NOTICE: The handle assembly requires assembly before operating the snow blower (Fig.C1)

C-1	Locking Knob	C-2	Handle Assembly
-----	--------------	-----	-----------------

Loosen the four locking knobs and pull out the bolts. Save them for reassembly.

Choose a comfortable operating position according to your height (Fig. C2). The handle assembly can be set to three different heights (Fig. C3 & Fig. C4 & Fig. C5).

Upper Operating Position as Fig. C3

Middle Operating Position as Fig. C4

Lower Operating Position as Fig. C5

TO INSTALL THE SNOWDISCHARGE CHUTE ASSEMBLY

WARNING: Never operate the snow blower without the complete discharge chute in place.

- Loosen the knob on the inner support pole and remove the bolt (Fig. D1). Save the knob and bolt for reassembly.

D-1	Snow-Discharge Chute	D-2	Outer Support Pole
D-3	knob	D-4	Inner Support Pole
D-5	Base	D-6	Bolt

- Lift the snow-discharge chute assembly, align the outer support pole with the inner support pole to slide the outer support pole into place. Make sure that the snow discharge chute is seated on the base (Fig. D2).
- Secure the snow discharge chute assembly with the reserved knob and bolt.
- With the inline cable regulator can change the moving force of the chute-rotation handle ,you can reduce the force by rotating the inline cable regulator counterclockwise slightly (Fig. D2). Conversely, the force will increased by turning it in the opposite direction. Note that the snow discharge chute will drift left/right during use if it is too loose.

OPERATION

TO ATTACH/DETACH THE BATTERY PACK

CHARGE BEFORE FIRST USE.

Use only with battery packs and chargers listed in fig. A4

NOTE: For best performance, we recommend use with two 5.0 Ah EGO 56V Arc-Lithium batteries or with two EGO 56V Arc-Lithium batteries of greater capacity.

When not in use, 56V battery packs should be stored in an enclosed area where the temperature will not drop below -20°C. Optimal charging temperatures are between 5°C and 40°C.

To Attach

Push the battery pack into the battery compartment until you hear a “click” (Fig. E1).

To Detach

Depress the battery-release button in the battery compartment (Fig. E2).

NOTICE: Make sure that the latch on the snow blower snaps into place and that the battery pack(s) are secured to the unit before starting operation.

STARTING/STOPPING THE SNOW BLOWER

⚠ CAUTION: Do not attempt to override the operation of the safety button.

⚠ WARNING: Ensure that other people and pets remain at least 30m away from the snow blower when it is in use.

⚠ WARNING: The auger will continue to rotate for a few seconds after the snow blower is turned off. Allow the auger to stop rotating before starting it again.

NOTICE: Do not rapidly turn the snow blower off and on.

To Start the Snow Blower

- Ensure that the handle assembly is securely adjusted to appropriate height, the side-discharge chute assembly is mounted properly, the chute and chute deflector are adjusted to an appropriate position.
- Insert the battery pack(s) to the snow blower and close the battery cover.
- Press the **safety button (A-16)** and hold for 1 second, and the **LED indicator (A-21)** will blink green. Press the **auger-switch trigger (A-13)** to turn on the snow blower while the LED indicator blinks.

NOTICE: The snow blower can be turned on by the auger switch trigger only when the LED indicator blinks.

NOTICE: The snow blower may not properly start if its batteries' temperature is -20°C or less. If the snow blower doesn't start, remove the battery from the snow blower and allow it to warm indoors for 10 minutes or longer. Reinstall the battery and try again.

To Stop the Snow Blower

Fully release the auger switch trigger.

NOTE: The electric brake in the Automatic Braking Mechanism will stop the auger rotation within 3 seconds of the auger switch release.

Variable-Auger-Speed System

The speed of the auger can be adjusted to control the throwing distance.

To increase/decrease the speed, push the auger speed-control lever (A-15) forwards/backwards.

Variable-Speed Self-Propel System

This snow blower is equipped with variable-speed self-propel capability. it is independent of auger rotation.

To operate the self-propel system without auger rotation, press the **self-propel trigger (A-18)** to the handle. To increase the speed, move the **self-propel-speed control lever (A-17)** forwards. To decrease the speed, move the self-propel speed control lever backwards.

To turn the self-propel function off, release the self-propel trigger.

To move the snow blower backward, first stop the self-propel function; pull the self-propel speed-control lever to **REVERSE** Position, then press the self-propel trigger.

NOTICE: The speed is fixed when operating the snow blower in reverse with self-propel; the speed-control lever cannot change the speed in reverse.

NOTICE: The snow blower cannot be switched to move backward while the self-propel function is moving it forward.

AUGER SWITCH TRIGGER AND SELF-PROPEL TRIGGER LINKAGE

When the **self-propel trigger (A-18)** and the **auger-switch trigger (A-13)** are pressed at the same time then release the auger-switch trigger (right hand), the auger-switch trigger will remain engaged. This feature allows you to adjust the auger speed, self-propelling speed, and discharging direction of the snow while the auger rotates.

To stop the auger, release the self-propel trigger, both the auger and the self-propel function will stop.

CHUTE AND DEFLECTOR ADJUSTMENT

The chute can be adjusted to change both the direction and the distance of the discharged snow to assist you in moving snow away from one area and placing it in another.

The direction of snow removal can be adjusted up to left 100° and right 100°.

Pull the **chute-rotation handle (A-22)** to the left/right to rotate the chute to the left/right.

The throwing distance of the snow blower is adjusted by moving the chute deflector up or down.

To increase or decrease the distance that the snow is thrown, pull the **chute deflector handle (A-23)** backward or forward to raise or lower the **chute deflector (A-10)**. Once arriving at the desired chute deflector position, engage the chute deflector handle into the locking slot(F-1) (Fig. F).

LED SIDELIGHTS (A-12) AND HEADLIGHTS (A-6) OPERATION

Press the LED light button once to turn on both the sidelights and headlights.

Press the LED light button twice to turn off the sidelights.

Press the LED light button three times to turn off all the lights.

NOTICE: All the LED lights will turn off automatically if the snow blower is not being operated within 5 minutes.

LED INDICATOR (A-21) ON THE SNOW BLOWER

The snow blower is equipped with a LED indicator to indicate the charge level of the battery pack(s) and the working status of the snow blower.

LED INDICATOR	Meaning	Action
Shinning Green	Snow blower is working properly; each battery has at least 15% of its charge.	n/a.
Flashing Red	The battery is nearly depleted.	Stop the snow blower and charge the battery pack(s).
Flashing Green and Red alternately	Error	Contact EGO customer service center
Shinning Orange	The snow blower stops due to overheating.	Remove the batteries from the snow blower, move them to the shade and cool them at least 15 minutes.
Flashing orange	The snow blower is overloaded.	First remove the battery pack, then check and clean if snow has collected beneath the deck. Slow down your pace when snow moving. If this does not work, please contact EGO customer service center.

OFF & LED on battery flashing	Battery overheat. (See section "BATTERY HIGH-TEMPERATURE PROTECTION" in this manual)	Remove the battery from the snow blower and wait until the battery pack cools down to approximately 67°C, then reinstall the battery and restart the snow blower.
-------------------------------	--	---

SNOW BLOWER OVERLOAD PROTECTION

Your snow blower has built-in overload-sensing elements. When the snow blower is overloaded, the motor will decrease the speed automatically and you will hear the volume of the motor decrease. Slow down your pace or narrow the clearing width, then the motor speed will automatically resume its normal setting. If this remedy does not solve the overload situation, the sensor will shut off the motor automatically and the LED indicator on the snow blower will flash orange. Remove the battery pack(s) from the snow blower, wait 10 seconds, and check to see if there is snow or ice stuck in the auger and deck. If necessary, follow instructions for "Clearing a Clogged Chute". Reinstall the batteries and restart the snow blower.

CLEARING A CLOGGED CHUTE

⚠ WARNING: Always use the **chute cleaning tool (A-8)** which is attached to the machine as an accessory, do not use your hand.

BATTERY HIGH-TEMPERATURE PROTECTION

The battery pack will generate heat during operation. The heat dissipates more slowly in hot weather. If the battery temperature exceeds 70°C during operation, the protection circuit will immediately turn off the snow blower to protect the battery pack from heat damage. The status indicator on the snow blower will off, about the LED on the battery, please see 'BATTERY PROTECTION' section in battery operator's manual for details. Release the bail switch, wait until the battery pack cools down to approximately 67°C, then restart the snow blower.

OPERATING TIPS

⚠ DANGER: Never use a snow blower on frozen lakes, rivers, or similar surfaces. Death or serious injury could occur if the ice breaks.

⚠ DANGER: Never use the snow blower on a rooftop or other unstable surface, which can result in death or serious personal injury.

⚠ WARNING: Do not use snow blower on ice, which can cause the operator to slip and fall, resulting in possibly serious personal injury.

⚠ WARNING: Do not wear loose clothing, scarves, or jewelry. They can be caught in moving parts and cause death or serious personal injury.

⚠ WARNING: Keep all snow discharge pointed away from all electrical devices to reduce the risk of electrocution or electric shock.

⚠ WARNING: Never point the snow blower or discharge chute in the direction of people or pets. Thrown snow or other objects can cause serious personal injuries.

⚠ WARNING: Make sure that the area to be cleared is free of stones, sticks, wires, gravel, and other objects that could be accidentally thrown by the snow blower in any direction and cause serious personal injury to the operator and others.

- If the unit comes in contact with any type of obstruction or debris during use, stop the snow blower, remove the battery pack(s), remove the obstruction, and inspect the unit carefully for damage before proceeding.

⚠ WARNING: Never reach into the discharge chute or place any body part in front of the snow blower when the unit is operating or when the battery pack(s) are installed. Always ensure all moving parts have stopped and the battery pack(s) have been removed before clearing any obstructions. Failure to follow these instructions can result in serious personal injury.

- Take notice of the direction of the wind before beginning. When possible, discharge snow in the same direction as the wind to prevent snow from being thrown back into your face.
- Some parts of the snow blower can freeze under extreme weather conditions. Do not attempt to operate the unit with frozen parts.
- When finished, allow the motor to run for an additional few minutes to prevent moving parts from freezing, then turn the chute rotation handle back and forth several times to free it from any ice buildup. Make sure to clean off any snow and ice from the base of the chute.
- In snowy and cold conditions, some controls and moving parts may freeze. Do not use excessive force when trying to operate frozen controls. If you have difficulty operating any control or part, start the machine as "STARTING/STOPPING THE SNOW

BLOWER™ section shown and let it run for a few minutes.

MAINTENANCE

GENERAL MAINTENANCE

Avoid using solvents when cleaning plastic parts. Most plastics are susceptible to damage from various types of commercial solvents and may be damaged by their use. Use clean cloth to remove dirt, dust, oil, grease etc.

LUBRICATING THE MACHINE

All of the bearings in this product are lubricated with a sufficient amount of high grade lubricant for the life of the unit under normal operating conditions. Therefore, no further bearing lubrication is required.

REPLACING AND ADJUSTING THE SKID SHOES

1. Remove the batteries.
2. Loosen and remove the nuts, gaskets and the skid shoe from the screws (Fig. G1).
3. Replace the skid shoe with a new one, if necessary.
4. The height of the skid shoes can be adjusted according to the actual snow conditions without thoroughly removing the nuts, just loosen them, adjust the skid-shoe position and then retighten (Fig. G2).

REPLACING THE SHEAR PIN

The shear pins are located in the auger shaft (Fig. H1). They aid in absorbing the instant stall torque when the auger strikes obstacles during working and protect the gearbox and motor from damage.

H-1	Auger Shaft	H-2	Shear Pin
-----	-------------	-----	-----------

To replace the shear pins, remove the batteries, remove the broken shear pin from the auger shaft and replace it with new bolts.

NOTICE: Two additional shear pins are stored onto the chute assembly, replace with the new one if the original one is broken (Fig. H2).

STORING THE SNOW BLOWER

CAUTION: Ensure that all melted snow that may drip from the snow blower is properly wiped up to prevent a slip and fall hazard.

- Remove the battery pack(s) and store in a secure location out of the reach of children.

Before storage, wipe any moisture, dirt, or debris from the battery area.

- Wipe the snow blower with a clean dry cloth.
- Check all nuts, bolts, knobs, screws, etc., for tightness.
- Inspect moving parts for damage, breakage, and wear. Have repairs made on any damaged or missing parts.
- Store the snow blower in a clean, dry, enclosed place out of the reach of children.
- Do not store near corrosive materials such as fertilizer or rock salt.

Protecting the environment



Do not dispose of electrical appliances as unsorted municipal waste, use separate collection facilities.

Contact your local government for information regarding the collection systems available.

If electrical appliances are disposed of in landfills or dumps, hazardous substances can leak into the groundwater and get into the food chain, damaging your health and well-being.

TROUBLESHOOTING

⚠ WARNING: Always remove the battery pack(s) when servicing or transporting the snow blower. Always protect your hands by wearing gloves when performing any maintenance on the snow blower auger or scraper.

PROBLEM	CAUSE	SOLUTION
Snow blower is not starting.	<ul style="list-style-type: none"> ■ Battery charge is low. ■ The auger-switch trigger is not depressed at the moment of the LED indicator flashing green. ■ The auger is frozen by snow or ice. ■ The battery is overheated. The LED indicator on the battery flashes orange or shines red (see the section “BATTERY HIGH-TEMPERATURE PROTECTION” in this manual). 	<ul style="list-style-type: none"> ■ Charge the battery. ■ Press the auger switch trigger when the LED indicator blinks. If the LED indicator stops blinking, the snow blower will not be response to the pressing of auger-switch trigger. ■ Remove the battery pack(s) firstly, use the supplied chute clean tool to clear the snow or ice that obstructs on the auger. Restart the snow blower. ■ Remove the overheated battery from the snow blower and wait until the battery pack cools down to approximately 67°C, then reinstall the battery and restart the snow blower.
The motor is on but the auger does not turn on.	<ul style="list-style-type: none"> ■ The shear pin is broken. 	<ul style="list-style-type: none"> ■ Replace the shear pin following the section “REPLACING THE SHEAR PIN” in this manual.
The LED light button is insensitive to the first pressing.	<ul style="list-style-type: none"> ■ The internal self-checking process causes a slight delay in the first keystroke response. 	<ul style="list-style-type: none"> ■ Press the LED light button and hold for 1 second.
The LED indicator on the battery keeps on after the snow blower auger stops working or self-propel system turns off.	<ul style="list-style-type: none"> ■ The electric circuit is in standby for next restart. The LED will shut off automatically if the snow blower is not operated in 5 to 10 minutes. 	<ul style="list-style-type: none"> ■ Just leave it or remove the batteries from the battery compartment.

WARRANTY

Please visit the website egopowerplus.eu for full terms and conditions of the EGO Warranty policy.

DE ALLE ANWEISUNGEN LESEN!

Bestimmungsgemäße Verwendung: Schnee von Flächen wie Auffahrten und Gehwegen räumen.

⚠️ WARNUNG: Vor der Benutzung des Geräts sollten Sie alle Sicherheitsanweisungen in dieser Bedienungsanleitung gelesen und verstanden haben. Das gilt auch für die Sicherheits- und Gefahrenzeichen wie „**VORSICHT**“, „**WARNUNG**“ und „**ACHTUNG**“. Die Nichtbeachtung aller aufgeführten Anweisungen kann zu Stromschlägen, Bränden und/oder schweren Verletzungen führen.

⚠️ WARNUNG: Beim Betrieb von Elektrowerkzeugen besteht die Gefahr, dass Fremdkörper in Ihre Augen geschleudert werden und Sie dadurch schwerwiegende Augenschäden davontragen. Tragen Sie immer eine Schutzbrille, wenn möglich mit Seitenschutz, oder, falls nötig, einen vollen Gesichtsschutz, bevor Sie Arbeiten mit dem Elektrowerkzeug verrichten. Wir empfehlen Ihnen, einen Gesichtsschutz über Ihrer eigenen Brille oder eine herkömmliche Schutzbrille mit Seitenschutz zu tragen.

WARNSYMBOLE



Sicherheitswarnung



Um das Verletzungsrisiko zu verringern, muss der Benutzer die Bedienungsanleitung vor der Benutzung des Gerätes gelesen und verstanden haben.



Füße und Hände fernhalten



Tragen Sie immer eine Schutzbrille, möglichst mit Seitenschutz, und einen vollständigen Gesichtsschutz, wenn Sie das Gerät bedienen.



GEFAHR - Vor dem Freimachen des Auswurfs den Motor abstellen. Um das Verletzungsrisiko zu verringern, Hände und Füße von rotierenden Teilen fern halten. Blockaden dürfen nur nach dem Abstellen des Motors und nie mit bloßen Händen beseitigt werden.



Füße vom Schaukelrad fern halten



Elektrische Altgeräte dürfen nicht im Hausmüll entsorgt werden. Bringen Sie das Gerät zu einem Wertstoffhof.



VORSICHT: Nicht in die Betriebsleuchte blicken.



Dieses Produkt erfüllt die einschlägigen EG-Richtlinien.



Garantierter Schalleistungspegel. Gemäß Richtlinie der Europäischen Gemeinschaft.



Volt



Dieses Produkt entspricht den geltenden Vorschriften des Vereinigten Königreichs.

kg Kilogramm

V Gleichstrom

IPX4 Strahlwassergeschützt

TECHNISCHE DATEN

Spannung	56 V	
Räumbreite	61 cm	
Einlasshöhe	51 cm	
Abwurfentfernung	13 m	
Radgröße	38 cm	
Gewicht	68 kg	
Empfohlene Betriebstemperatur	-20°C-10°C	
Empfohlene Lagertemperatur	-20°C-70°C	
Gemessener Schalleistungspegel L_{WA}	96,61 dB(A) K=1,6 dB(A)	
Schalldruckpegel am Ohr des Bedieners L_{PA}	82,5 dB(A) K=4 dB(A)	
Garantierter Schalleistungspegel L_{WA} (nach EG 2000/14 gemessen)	98 dB(A)	
Vibrationswert a_h :	Linker Griffbügel	0,3 m/s ² K=1,5 m/s ²
	Rechter Griffbügel	0,4 m/s ² K=1,5 m/s ²

BESCHREIBUNG

AUFBAU DER SCHNEEFRÄSE (Abb. A1 & A2)

1. Seitenholm
2. Akkufachabdeckung
3. Akkufach
4. Räder
5. Schlittenschuh
6. LED-Spots
7. Deck
8. Auswurfreiniger
9. Auswurfschacht
10. Umlenker
11. Hinterer Griffbügel
12. LED-Seitenbeleuchtung
13. Schneefräsenhalter
14. Hauptgriff
15. Einstellhebel für Fräsgeschwindigkeit

16. Sicherheitsschalter
17. Geschwindigkeitsregler Eigenantrieb
18. Ein-/Ausschalter Eigenantrieb
19. Hauptgriff
20. LED-Lampenschalter
21. LED-Anzeige
22. Auswurf-Drehgriff
23. Auswurf-Umlenkbügel
24. Frässchnecke
25. Abstreifer
26. Akku-Entriegelungstaste
27. Elektrische Kontakte

PACKLISTE (ABB. A3)

MONTAGE

RÄDER MONTIEREN/ABMONTIEREN

1. Zum einfacheren Montieren die Schneefräse wie in Abb. B gezeigt abstellen.
2. Die äußere Dichtung und den Rad-Arretierbolzen von der Welle abmontieren.
3. Das Rad und die äußere Dichtung montieren. Mit dem Rad-Arretierbolzen fixieren.

Anmerkung: Vor der Montage die Radstellung kontrollieren. Das Rad sollte vorwärts gerichtet sein (Abb. B).

B-1	Äußere Dichtung	B-2	Rad-Arretierbolzen
-----	-----------------	-----	--------------------

MONTAGE DES GRIFFBÜGELS

HINWEIS: Vor dem Betrieb der Schneefräse muss der Griffbügel montiert werden (Abb. C1)

C-1	Arretierknäuf	C-2	Griffbügel
-----	---------------	-----	------------

Die vier Verschlüsse lösen und die Schrauben herausziehen. Zur späteren Montage aufbewahren.

Wählen Sie eine für Ihre Körpergröße geeignete Arbeitsposition (Abb. C2). Der Griffbügel kann auf drei verschiedene Höhen gestellt werden. (Abb. C3 bis C5)

Obere Bedienposition (Abb. C3)

Mittlere Bedienposition (Abb. C4)

Untere Bedienposition (Abb. C5)

AUSWURFSCHACHT MONTIEREN

⚠️ WARNUNG: Die Schneefräse darf nie ohne vollständig montierten Auswurfschacht betrieben werden.

1. Den Knauf an der Innensäule lösen und die Schraube entfernen (Abb. D1). Den Knauf und die Schraube für die spätere Montage aufheben.

D-1	Auswurfschacht	D-2	Außensäule
D-3	Knauf	D-4	Innensäule
D-5	Unterteil	D-6	Schraube

2. Den Auswurfschacht hochheben, die Außensäule mit der Innensäule fluchten lassen und die Außensäule aufschieben. Darauf achten, dass der Auswurfschacht fest auf dem Unterteil sitzt (Abb. D2).
3. Den Auswurfschacht mit der Schraube und dem Knauf wieder festschrauben.
4. Mit dem Neigungs-Kabelregler kann die Bewegungskraft des Griffs zum Drehen des Auswurfschachts geändert werden. Sie können die Kraft durch das Drehen des Neigungs-Kabelreglers gegen den Uhrzeigersinn etwas reduzieren (Abb. D2). Im Gegenzug wird die Kraft erhöht, indem der Regler in die entgegengesetzte Richtung gedreht wird. Beachten Sie, dass sich der Schneeauswurfschacht während des Gebrauchs nach rechts/links bewegt, wenn er zu locker sitzt.

BEDIENUNG

ANBRINGEN / ABNEHMEN DES AKKUS VOR DER ERSTEN GEBRAUCH AUFLADEN.

Für das Gerät nur die in Abb. A4 aufgeführten Akkus und Ladegeräte verwenden

ANMERKUNG: Eine optimale Leistung wird mit zwei Lithium-Akkus vom Typ EGO 56V Arc mit 5,0 Ah oder mehr Kapazität erzielt.

Bei Nichtgebrauch sollten die 56 V-Akkus in einem geschlossenen Raum aufbewahrt werden, in dem die Temperaturen nicht unter -20 °C sinken. Die optimale Ladetemperatur beträgt zwischen 5 und 40 °C.

Anbringen

Den Akku in das Akkufach schieben, bis er hörbar einrastet. (Abb. E1)

Abnehmen

Die Entriegelungstaste am Akkufach drücken. (ABB .E2)

HINWEIS: Vor Aufnahme des Betriebs sicher stellen, dass der Riegel an der Schneefräse einrastet und die Akkus fest am Gerät angebracht sind.

STARTEN/STOPPEN DER SCHNEEFRÄSE

⚠️ VORSICHT: Der Sicherheitsschalter sollte nicht funktionell umgangen werden.

⚠️ WARNUNG: Während des Betriebs sollte dafür gesorgt werden, dass Personen und Haustiere einen Abstand von mindestens 30 m zur Schneefräse einhalten.

⚠️ WARNUNG: Nach dem Ausschalten der Schneefräse dreht sich die Frässhnecke noch ein paar Sekunden weiter. Vor dem erneuten Start warten, bis die Frässhnecke bis zum Stillstand ausgelaufen ist.

HINWEIS: Die Schneefräse nicht schnell hintereinander aus- und wieder einschalten.

Starten der Schneefräse

1. Der Griffbügel muss fest auf eine geeignete Höhe gestellt sein. Der Seitenauswurf muss korrekt montiert und der Auswurf sowie der Umlenker auf die gewünschte Position eingestellt sein.
2. Den bzw. die Akkus in die Schneefräse einsetzen und das Akkufach schließen.
3. Die **Sicherheitstaste (A-16)** drücken und 1 s halten. Die **LED-Anzeige (A-21)** blinkt dann grün. Bei blinkender LED den **Schneefräseschalter (A-13)** betätigen, um die Schneefräse einzuschalten

HINWEIS: Die Schneefräse lässt sich mit dem Schneefräseschalter einschalten, wenn die LED blinkt.

HINWEIS: Bei einer Akkutemperatur unter -20 °C startet die Schneefräse unter Umständen nicht mehr ordnungsgemäß. Falls die Schneefräse nicht startet, den Akku aus dem Gerät entnehmen und im geschlossenen mindestens 10 Minuten lang warm werden lassen. Den Akku wieder anbringen und erneut probieren.

Stoppen der Schneefräse

Den Schneefräseschalter ganz loslassen.

ANMERKUNG: Innerhalb von 3 Sekunden nach dem Loslassen des Schneefräseschalters hält die Elektrobremse der Bremsmechanik die Drehbewegung der Frässhnecke an.

Frässchnecke mit variabler Drehzahl

Um die Abwurfentfernung einzustellen, kann die Geschwindigkeit der Frässchnecke reguliert werden.

Zum Erhöhen oder Verringern der Geschwindigkeit den Einstellhebel für die Frägeschwindigkeit (A-15) vor bzw. zurückstellen.

Eigenantrieb mit variabler Geschwindigkeit

Diese Schneefräse verfügt über einen Eigenantrieb mit variabler Geschwindigkeit. Er arbeitet unabhängig von der Frässchneckenumdrehung.

Um den Eigenantrieb ohne Frässchneckenumdrehung einzuschalten, den **Ein-/Ausschalter für den Eigenantrieb (A-18)** in Griffbügelrichtung drücken. Zum Beschleunigen den **Eigenantriebsregler (A-17)** nach vorn bewegen. Zum Verlangsamen den Eigenantriebsregler nach hinten bewegen.

Zum Abstellen des Eigenantriebs den Eigenantriebsregler loslassen.

Um mit der Schneefräse rückwärts zu fahren, zuerst den Eigenantrieb anhalten. Danach den Eigenantriebsregler auf RÜCKFAHR-Position stellen und den Ein-/Ausschalter für den Eigenantrieb betätigen.

HINWEIS: Bei Rückwärtsfahrt des Eigenantriebs ist die Geschwindigkeit der Schneefräse fest eingestellt. Beim Zurücksetzen lässt sich die Geschwindigkeit mit dem Geschwindigkeitsregler daher nicht verstellen.

HINWEIS: Wenn der Eigenantrieb auf Vorwärtsfahren gestellt ist, lässt sich die Schneefräse nicht auf Zurücksetzen umschalten.

KOPPLUNG ZWISCHEN SCHNEEFRÄSENSCHALTER UND EIN-/AUSSCHALTER EIGENANTRIEB

Wenn der Ein-/Ausschalter Eigenantrieb (A-18) und der Schneefräsenschalter (A-13) gleichzeitig gedrückt werden und der Schneefräsenschalter wieder losgelassen wird, bleibt der Schneefräsenschalter betätigt. Auf diese Weise können die Schneefräsengeschwindigkeit, die Geschwindigkeit bei Eigenantrieb und die Auswurfrichtung des Schnees bei sich drehender Frässchnecke eingestellt werden

Zum Anhalten der Frässchnecke den Ein-/Ausschalter Eigenantrieb loslassen. Die Frässchnecke und der Eigenantrieb werden dadurch abgeschaltet.

ABWURF UND UMLENKER EINSTELLEN

Richtung und Entfernung des ausgestoßenen Schnees lassen sich am Auswurfschacht einstellen. Auf diese

Weise kann der Schnee gezielt an einen anderen Ort geräumt werden.

Die Richtung, in der der Schnee geräumt wird, kann zwischen 100 ° nach links und 100 ° nach rechts variiert werden

Den Auswurf-Drehgriff (A-22) nach links oder rechts bewegen, um den Schacht nach links bzw. rechts zu verstellen.

Die Abwurfentfernung der Schneefräse wird durch Verstellen des Umlenkers nach oben und unten festgelegt.

Um einzustellen, wie weit der Schnee abgeworfen wird, den Umlenkergriff (A-23) nach hinten oder nach vorne verschieben. Der Umlenker (A-10) wird dann entweder gehoben oder gesenkt. Wenn die gewünschte Umlenkerposition eingestellt ist, den Umlenkergriff durch Einrasten in die Arretierung (F-1) feststellen (Abb. F).

BETÄTIGUNG DER LED-SEITENLEUCHTEN (A-12) UND SCHEINWERFER (A-6)

Den LED-Lampenschalter drücken, um die Seitenleuchten und die Scheinwerfer einzuschalten.

Zum Ausschalten der Seitenleuchten den LED-Lampenschalter zweimal drücken.

Den LED-Lampenschalter dreimal drücken, um alle Leuchten auszuschalten.

HINWEIS: Wird die Schneefräse 5 Minuten lang nicht bedient, schalten sich sämtliche LED-Lampen automatisch aus.

LED-ANZEIGE (A-21) AN DER SCHNEEFRÄSE

Eine LED-Anzeige an der Schneefräse zeigt den Ladezustand des bzw der Akkus und den Betriebszustand des Geräts an.

LED-ANZEIGE	Bedeutung	Abhilfe
Grün leuchtend	Die Schneefräse funktioniert ordnungsgemäß; die Akkus besitzen jeweils noch mindestens 15 % der Ladung.	-
Rot blinkend	Der Akku ist fast leer.	Schneefräse ausschalten und Akku(s) aufladen.

Abwechselnd grün und rot blinkend	Fehler	Wenden Sie sich an einen EGO-Kundendienst.
Orange leuchtend	Die Schneefräse hält wegen Überhitzung an.	Akku aus der Schneefräse entfernen, in den Schatten legen und mindestens 15 Minuten lang abkühlen lassen.
Orange blinkend	Die Schneefräse ist überlastet.	Zuerst den Akku entnehmen. Danach prüfen und reinigen, falls sich Schnee unter dem Deck angesammelt hat. Beim Schneeräumen ein langsames Tempo einschlagen. Sollte das nicht funktionieren, wenden Sie sich an einen EGO-Kundendienst.
OFF & LED am Akku blinken	Akku überhitzt. (Siehe den Abschnitt "TEMPERATURSCHUTZ DES AKKUS" in dieser Anleitung)	Akku aus der Schneefräse nehmen und warten, bis sich der Akku auf ungefähr 67°C abgekühlt hat. Anschließend den Akku wieder einsetzen und die Schneefräse erneut starten.

ÜBERLASTSCHUTZ DE SCHNEEFÄRE

In der Schneefräse sind Sensoren zur Überlasterkennung eingebaut. Bei einer Überlastung der Schneefräse wird die Motordrehzahl automatisch gedrosselt. Die Motorgeschwindigkeit verringert sich hörbar. Verlangsamten Sie das Tempo beim Schneeräumen oder stellen Sie die Räumbreite schmaler ein. Die Motordrehzahl wird anschließend automatisch wieder auf die normale Einstellung erhöht. Falls sich die Überlastung durch diese Maßnahme nicht beseitigen lässt, schaltet der Sensor den Motor automatisch aus und die LED-Anzeige an der Schneefräse blinkt orange. Den oder die Akkus von der Schneefräse abnehmen, 10 Sekunden warten und dann prüfen, ob noch Schnee oder Eis in der Frässhnecke und unter dem Deck eingeschlossen ist. Ggf. die Anleitung unter

"Blockierten Auswurf frei machen" befolgen. Die Akkus wieder einsetzen und die Schneefräse starten.

BLOCKIEREN AUSWURF FREI MACHEN

⚠️ WARNUNG: Immer den Auswurfreiniger (A-8) verwenden, der als Zubehör am Gerät angebracht ist. Nicht die Hände dazu benutzen

AKKU-ÜBERHITZUNGSSCHUTZ

Der Akku wird während des Betriebs warm. Die Wärme wird bei sehr warmem Wetter langsamer abgegeben. Wenn die Akkutemperatur 70°C während des Betriebs überschreitet, wird die Schneefräse von der Schutzschaltung sofort abgeschaltet, um den Akku vor Hitzeschäden zu schützen. Die Anzeige des Schneefräsezustands ist ausgeschaltet. Einzelheiten zur LED am Akku stehen im Kapitel 'AKKUSCHUTZ' in der Akku-Bedienungsanleitung. Den Bügelschalter loslassen und warten, bis sich der Akku auf ungefähr 67 °C abgekühlt hat. Anschließend die Schneefräse erneut starten.

TIPPS ZUR BEDIENUNG

⚠️ VORSICHT: Die Schneefräse nie auf gefrorenen Seen, Flüssen oder ähnlichen Flächen einsetzen. Wenn das Eis bricht, besteht Verletzungsgefahr mit Todesfolge.

⚠️ VORSICHT: Die Schneefräse nie auf einem Dach oder einer anderen instabilen Fläche einsetzen. Dabei besteht schwere Verletzungs- oder Todesgefahr.

⚠️ WARNUNG: Die Schneefräse nicht auf Eis einsetzen. Der Bediener kann darauf ausrutschen und stürzen. Dadurch besteht erhebliche Verletzungsgefahr.

⚠️ WARNUNG: Keine weite Kleidung, Schals oder Schmuck tragen. Es besteht Todes- oder schwere Verletzungsgefahr, wenn sich die Kleidungsstücke in rotierenden Teilen verfangen.

⚠️ WARNUNG: Den Schneeauswurf stets von allen elektrischen Geräten entfernt ausrichten, andernfalls besteht Lebensgefahr durch Stromschlag.

⚠️ WARNUNG: Die Schneefräse oder den Auswurfschacht nie auf Personen oder Haustiere ausrichten. Ausgestoßener Schnee oder andere Gegenstände können schwere Verletzungen verursachen.

⚠️ WARNUNG: Darauf achten, dass die zu räumende Fläche frei von Steinen, Ästen, Leitungen, Kies und anderen Gegenständen ist, die von der Schneefräse versehentlich in alle Richtungen herausgeschleudert werden und dadurch schwere Verletzungen beim Bediener und bei Anderen hervorrufen könnten.

Falls das Gerät beim Einsatz mit beliebigen Hindernissen oder Fremdkörpern in Kontakt gerät, die Schneefräse abschalten, den oder die Akkus herausnehmen, das Hindernis beseitigen und das Gerät sorgfältig auf Schäden überprüfen, bevor weiter gearbeitet wird.

⚠️ WARNUNG: Wenn das Gerät in Betrieb ist oder die Akkus eingesetzt sind, nie in den Auswurfschacht greifen oder ein Körperteil vorn in die Schneefräse halten. Immer sicher stellen, dass alle beweglichen Teile zum Stillstand gekommen sind und die Akkus herausgenommen wurden, bevor Hindernisse beseitigt werden. Bei Nichtbeachtung dieser Anweisungen kann es zu schweren Verletzungen kommen.

- Vor Arbeitsbeginn die Windrichtung feststellen. Nach Möglichkeit den Schnee in die gleiche Richtung wie der Wind ausstoßen, damit der Schnee nicht in das eigene Gesicht zurückgeschleudert wird.
- Bei extremer Witterung können bestimmte Teile der Schneefräse einfrieren. Nicht versuchen, das Gerät mit angefrorenen Teilen in Gang zu setzen.
- Nach Abschluss der Arbeit den Motor ein paar Minuten weiter laufen lassen, um ein Anfrieren der beweglichen Teile zu verhindern. Anschließend den Auswurf-Drehgriff mehrmals vor- und zurückdrehen, um angesammeltes Eis abzulösen. Schnee und Eis am Unterteil des Auswurfs beseitigen.
- Bei Schneefall und Kälte können bestimmte Bedienelemente und bewegliche Teile einfrieren. Zum Betätigen gefrorener Bedienelemente nicht zu viel Kraft aufwenden. Bei Schwierigkeiten mit dem Betätigen von Bedienelementen oder Teilen, das Gerät wie unter "STARTEN/STOPPEN DER SCHNEEFRÄSE" beschrieben in Gang setzen und mehrere Minuten laufen lassen.

WARTUNG

ALLGEMEINE WARTUNG

Zum Reinigen von Kunststoffteilen Lösungsmittel vermeiden. Die verschiedenen handelsüblichen Lösungsmittel greifen die meisten Kunststoffe an. Zum Beseitigen von Schmutz, Staub, Öl, Fett etc. einen sauberen Lappen verwenden.

GERÄT SCHMIEREN

Alle Lager dieses Geräts sind hinreichend lebensdauer geschmiert. Die Lager müssen daher nicht erneut abgeschmiert werden.

SCHLITTENSCHUHE AUSTAUSCHEN UND EINSTELLEN

1. Die Akkus entfernen.
2. Die Muttern, Dichtungen und den Schlittenschuh von den Schrauben abmontieren (Abb. G1).
3. Den Schlittenschuh ggf. durch einen neuen ersetzen.
4. Die Höhe der Schlittenschuhe kann auf die jeweiligen Schneebedingungen abgestimmt werden, ohne dass die Muttern vollständig abmontiert werden müssen. Dazu einfach nur die Muttern lösen, die Schlittenschuhposition verstellen und wieder festziehen (Abb. G2).

SCHERBOLZEN AUSTAUSCHEN

Die Scherbolzen befinden sich in der Frässhneckenwelle (Abb. H1). Sie haben die Aufgabe, die spontan auftretenden Stillstandskräfte aufzunehmen, wenn die Frässhnecke während des Betriebs auf Hindernisse trifft und schützt das Getriebe und den Motor vor Schäden.

H-1	Frässhneckenwelle	H-2	Scherbolzen
-----	-------------------	-----	-------------

Zum Auswechseln der Scherbolzen die Akkus entnehmen, den defekten Scherbolzen von der Frässhneckenwelle abmontieren und durch ein neues Teil ersetzen.

HINWEIS: Zwei zusätzliche Scherbolzen sind am Auswurfschacht als Reserve vorgesehen. Ist ein Bolzen defekt, kann er durch eines der beiden Neuteile ersetzt werden. (Abb. H2).

AUFBEWAHREN DER SCHNEEFRÄSE

⚠️ VORSICHT: Zur Vermeidung von Rutsch- und Stolpergefahren sollte der geschmolzene Schnee, der aus dem Gerät tropft, vollständig aufgenommen werden.

- Die Akkus abnehmen und an einem sicheren Ort aufbewahren, der für Kinder nicht erreichbar ist.

Vor dem Verstauen Feuchtigkeit, Schmutz oder Rückstände vom Akkubereich abwischen.

- Die Schneefräse mit einem trockenen sauberen Lappen abwischen.
- Alle Muttern, Schrauben, Knaufe etc. auf festen Sitz prüfen.
- Die beweglichen Teile auf Schäden, Defekte und Verschleiß prüfen. Defekte oder fehlende Teile reparieren lassen.
- Die Schneefräse an einem sauberen, trockenen und geschlossenen Ort aufbewahren, der für unzugänglich ist.
- Nicht in der Nähe aggressiver Stoffe wie zum Beispiel Düngemittel oder Steinsalz aufbewahren.

Schutz der Umwelt



Entsorgen Sie elektrische Geräte nicht als unsortierten Restmüll, nutzen Sie separate Sammelstellen.

Informationen über die verfügbaren Sammelbehälter vor Ort erteilt die zuständige Gemeindestelle.

Wenn elektrische Geräte auf Deponien oder Schutthalden entsorgt werden, können gefährliche Stoffe in das Grundwasser sickern und in die Nahrungskette gelangen. Dadurch werden Ihre Gesundheit und Ihr Wohlbefinden beeinträchtigt.

STÖRUNGSBEHEBUNG

⚠️ WARNUNG: Zum Reparieren oder Transportieren der Schneefräse immer zuerst die Akkus herausnehmen. Bei Arbeiten an der Frässhnecke oder am Abstreifer der Schneefräse immer die Hände durch Schutzhandschuhe vor Verletzungen schützen.

PROBLEM	URSACHE	LÖSUNG
Schneefräse startet nicht.	<ul style="list-style-type: none"> ■ Akkuladung ist schwach. ■ In dem Moment, als die LED-Anzeige grün blinkte, wurde der Schneefräseschalter nicht betätigt. ■ Die Frässhnecke ist durch Schnee oder Eis angefroren. ■ Der Akku ist überhitzt. Die LED-Anzeige am Akku blinkt orange oder leuchtet rot (siehe den Abschnitt "AKKU-ÜBERHITZUNGSSCHUTZ" in dieser Anleitung). 	<ul style="list-style-type: none"> ■ Akku aufladen. ■ Den Schneefräseschalter drücken, wenn die LED-Anzeige blinkt. Wenn die LED-Anzeige nicht mehr blinkt, reagiert die Schneefräse nicht mehr auf das Betätigen des Schneefräseschalters. ■ Zuerst die Akkus entnehmen und mit dem beiliegenden Auswurfreiniger den Schnee oder das Eis beseitigen, das die Frässhnecke behindert. Die Schneefräse erneut starten. ■ Den überhitzten Akku aus der Schneefräse nehmen und warten, bis sich der Akku auf ungefähr 67°C abgekühlt hat. Anschließend den Akku wieder einsetzen und die Schneefräse erneut starten.
Der Motor ist eingeschaltet, aber die Frässhnecke schaltet sich nicht ein.	<ul style="list-style-type: none"> ■ Der Scherbolzen ist defekt. 	<ul style="list-style-type: none"> ■ Den Scherbolzen wie im Abschnitt "SCHERBOLZEN AUSTAUSCHEN" dieser Anleitung beschrieben auswechseln.
Der LED-Lampenschalter reagiert nicht auf den ersten Tastendruck.	<ul style="list-style-type: none"> ■ Die interne Selbsttestfunktion hat eine leichte Verzögerung bei der Reaktion auf den ersten Tastendruck ausgelöst. 	<ul style="list-style-type: none"> ■ Den LED-Lampenschalter 1 Sekunden lang gedrückt halten.
Die LED-Anzeige am Akku leuchtet weiter, nachdem die Frässhnecke des Geräts zum Stillstand gekommen ist oder sich der Eigenantrieb abgeschaltet hat.	<ul style="list-style-type: none"> ■ Die Elektrik ist für den nächsten Startversuch in Bereitschaft. Die LED schaltet sich automatisch aus, wenn die Schneefräse nicht innerhalb von 5 bis 10 Minuten bedient wird. 	<ul style="list-style-type: none"> ■ Unverändert lassen oder die Akkus aus dem Akkufach entnehmen.

GARANTIE

Alle EGO Garantiebedingungen finden Sie auf der Website egopowerplus.eu.

LISEZ TOUTES LES INSTRUCTIONS!

FR

Domaine d'utilisation: Déblaiement de la neige dans des endroits tels que les allées et les trottoirs.

⚠ AVERTISSEMENT: Lisez et comprenez impérativement toutes les consignes de sécurité de ce manuel d'utilisation, y compris les symboles de mise en garde de sécurité tels que « **DANGER** », « **AVERTISSEMENT** » et « **ATTENTION** » avant d'utiliser cet outil. Le non respect de toutes les instructions énumérées ci-dessous peut entraîner un choc électrique, un incendie et / ou des blessures graves.

⚠ AVERTISSEMENT: L'utilisation d'un outil électrique peut provoquer la projection d'objets étrangers dans vos yeux, ce qui peut entraîner des lésions oculaires graves. Avant de commencer à utiliser l'outil électrique, portez toujours un masque de sécurité ou des lunettes de sécurité avec des protections latérales ou une visière complète si nécessaire. Nous vous recommandons de porter un masque de sécurité à vision panoramique par-dessus des lunettes de vue ou des lunettes de sécurité standards avec des protections latérales.

SYMBOLES DE SÉCURITÉ



Alerte de sécurité



Pour réduire le risque de blessures, l'utilisateur doit lire et comprendre le manuel d'utilisation avant d'utiliser ce produit.



Tenir à l'écart les pieds et les mains



Portez toujours un masque de sécurité ou des lunettes de sécurité avec boucliers latéraux et un masque facial intégral lors de l'utilisation de ce produit.



ATTENTION : Ne fixez pas les éclairages en fonctionnement.



DANGER —Coupez le moteur avant de déboucher la goulotte d'éjection. Pour réduire le risque de blessures, maintenez les mains et les pieds éloignés des pièces en rotation. Toute opération de débouchage doit être effectuée uniquement lorsque le moteur est coupé et jamais avec les mains.



Maintenir les pieds à l'écart du rotor



Les produits électriques usagés ne doivent pas être jetés avec les ordures ménagères. Apportez-les dans un centre de recyclage agréé.



Niveau de puissance acoustique garanti. Conformément à la directive de la Communauté européenne.



Ce produit est conforme aux directives CE applicables.



Courants continus



Ce produit est conforme à la législation britannique applicable.

kg Kilogramme

V Volts

IPX4 Protection contre les jets d'eau

SPÉCIFICATIONS

Tension	56 V	
Largeur de déblaiement	61 cm	
Hauteur de ramassage	51 cm	
Distance d'éjection	13 m	
Taille de roue	38 cm	
Poids	68 kg	
Température d'utilisation recommandée	-20°C-10°C	
Température de stockage recommandée	-20°C-70°C	
Niveau de puissance acoustique mesuré L_{WA}	96,61 dB(A) K=1,6 dB(A)	
Niveau de pression acoustique au niveau des oreilles de l'opérateur L_{PA}	82,5 dB(A) K=4 dB(A)	
Niveau de puissance acoustique garanti L_{WA} (mesuré conformément à la norme 2000/14/CE)	98 dB(A)	
Niveau de vibration a_h :	Poignée gauche	0,3 m/s ² K=1,5 m/s ²
	Poignée droite	0,4 m/s ² K=1,5 m/s ²

14. Poignée principale
15. Levier de réglage de la vitesse de la tarière
16. Bouton de sécurité
17. Levier de réglage de la vitesse d'auto-propulsion
18. Gâchette d'auto-propulsion
19. Poignée principale
20. Interrupteur d'éclairage LED
21. Voyant LED
22. Poignée de rotation de goulotte
23. Poignée de déflecteur de goulotte
24. Tarière
25. Barre de raclage
26. Bouton d'éjection de la batterie
27. Contacts électriques

CONTENU DE L'EMBALLAGE (IMAGE A3)

ASSEMBLAGE

MONTAGE/DEMONTAGE DE ROUE

1. Placez la fraise à neige comme sur l'image B pour faciliter le montage.
2. Retirez la bague externe et la goupille de blocage de roue hors de l'axe.
3. Montez la roue et la bague externe. Bloquez-les avec la goupille de blocage de roue.

Remarque: Vérifiez la roue avant l'installation pour vérifier que la flèche de la roue est vers l'avant (image B).

B-1	Bague externe	B-2	Goupille de blocage de roue
-----	---------------	-----	-----------------------------

INSTALLATION DU GUIDON

REMARQUE: Le guidon doit être installé avant l'utilisation de la fraise à neige (image C1).

C-1	Molette de fixation	C-2	Assemblage du guidon
-----	---------------------	-----	----------------------

Desserrez les quatre boutons de blocage et retirez les boulons. Conservez-les pour le réassemblage.

Optez pour une position d'utilisation confortable adaptée à votre taille (image C2). Le guidon peut être réglé à trois hauteurs différentes. (images C3, C4 et C5)

Position de travail haute (image C3)

DESCRIPTION

DESCRIPTION DE VOTRE FRAISE A NEIGE (Image A1 et A2)

1. Barre latérale
2. Couvercle de la batterie
3. Compartiment de la batterie
4. Roues
5. Patin
6. Phares LED
7. Caisson
8. Outil de nettoyage de goulotte
9. Goulotte d'éjection de la neige
10. Déflecteur de la goulotte
11. Poignée arrière
12. Eclairages latéraux LED
13. Gâchette de la tarière

Position de travail médiane (image C4)

Position de travail basse (image C5)

FR

INSTALLATION DE LA GOULOTTE D'ÉJECTION DE LA NEIGE

⚠ AVERTISSEMENT: N'utilisez jamais la fraise à neige sans que la goulotte d'éjection ne soit entièrement montée.

1. Desserrez la molette sur la barre intérieure et retirez le boulon (image D1). Conservez la molette et le boulon pour le remontage.

D-1	Goulotte d'éjection de la neige	D-2	Barre extérieure
D-3	Molette	D-4	Barre intérieure
D-5	Socle	D-6	Boulon

2. Soulevez la goulotte d'éjection de la neige, alignez la barre extérieure avec la barre intérieure et insérez la barre extérieure pour la mettre en place. Assurez-vous que la goulotte d'éjection de la neige est bien en contact avec le socle (image D2).
3. Fixez la goulotte d'éjection de la neige à l'aide de la molette et du boulon retirés précédemment.
4. Utilisez le régulateur du câble pour changer la force de mouvement de la poignée de rotation de la goulotte : tournez légèrement le régulateur du câble dans le sens antihoraire pour réduire la force (fig. D2). Inversement, augmentez la force en le tournant dans le sens opposé. Veuillez noter que la goulotte d'éjection de la neige oscillera lors de l'utilisation si elle est trop lâche.

FUNCTIONNEMENT

INSERTION/RETRAIT DE LA BATTERIE

RECHARGEZ LA BATTERIE AVANT LA PREMIÈRE UTILISATION.

Utilisez exclusivement les batteries et les chargeurs indiqués à la fig. A4.

REMARQUE: Afin d'obtenir les meilleures performances, nous vous recommandons d'utiliser deux batteries arc lithium EGO 56 V 5,0 Ah ou deux batteries arc lithium EGO 56 V de plus forte capacité.

En cas d'inutilisation, les batteries 56 V doivent être entreposées dans un endroit fermé où la température ne chutera pas en-dessous de -20°C. La température de recharge optimale est comprise entre 5°C et 40°C.

Insertion

Insérez la batterie dans le logement de batterie jusqu'à entendre un déclic. (IMAGE E1)

Retrait

Appuyez sur le bouton de déblocage de la batterie dans le logement de la batterie. (IMAGE E2)

REMARQUE: Avant de démarrer l'appareil, assurez-vous que le loquet de la fraise à neige est enclenché et que la batterie est bien fixée.

DEMARRAGE/ARRET DE LA FRAISE A NEIGE

⚠ ATTENTION: N'essayez pas de passer outre l'actionnement du bouton de sécurité.

⚠ AVERTISSEMENT: Veillez à ce que les autres personnes et les animaux restent éloignés d'au moins 30 m de la fraise à neige pendant son utilisation.

⚠ AVERTISSEMENT: La tarière continuera à tourner pendant quelques secondes après l'arrêt de la fraise à neige. Attendez que la tarière cesse de tourner avant de remettre la fraise à neige en marche.

REMARQUE: La fraise à neige ne doit pas être arrêtée puis redémarrée rapidement.

Démarrage de la fraise à neige

1. Veillez à ce que le guidon soit bien fixé à la bonne hauteur, que la goulotte d'éjection latérale soit montée correctement et que la goulotte et le déflecteur de goulotte soient ajustés à une position adaptée.
2. Insérez la batterie dans la fraise à neige et refermez le couvercle du logement de la batterie.
3. Appuyez sur le bouton de sécurité (A-16) et maintenez-le enfoncé pendant 1 seconde, le voyant LED (A-21) clignote en vert. Appuyez sur la gâchette de la tarière (A-13) pour mettre en marche la fraise à neige lorsque le voyant LED clignote

REMARQUE: La fraise à neige peut être mise en marche par la gâchette de la tarière uniquement lorsque le voyant LED clignote.

REMARQUE: La fraise à neige peut ne pas démarrer correctement si la batterie atteint une température inférieure à -20°C. Si la fraise à neige ne démarre pas, retirez la batterie de la fraise à neige et laissez-la se réchauffer à l'intérieur pendant au moins 10 minutes. Réinsérez la batterie et réessayez.

Arrêt de la fraise à neige

Relâchez entièrement la gâchette de la tarière.

REMARQUE: Le frein électrique dans le mécanisme de freinage automatique arrête la rotation de la tarière dans les trois secondes après le relâchement de la gâchette de la tarière.

Système de vitesse de tarière variable

La vitesse de la tarière peut être réglée afin de modifier la distance d'éjection.

Pour augmenter/diminuer la vitesse, poussez le levier de réglage de la vitesse de la tarière (A-15) vers l'avant/l'arrière.

Système d'auto-propulsion à vitesse variable

Cette fraise à neige est pourvue d'une fonction d'auto-propulsion à vitesse variable. Celle-ci est indépendante de la rotation de la tarière.

Pour utiliser le système d'auto-propulsion sans la rotation de la tarière, appuyez sur la gâchette d'auto-propulsion (A-18) sur le guidon. Pour accroître la vitesse, déplacez le levier de réglage de la vitesse d'auto-propulsion (A-17) vers l'avant. Pour réduire la vitesse, déplacez le levier de réglage de la vitesse d'auto-propulsion vers l'arrière.

Pour arrêter la fonction d'auto-propulsion, relâchez la gâchette d'auto-propulsion.

Pour déplacer la fraise à neige vers l'arrière, arrêtez d'abord la fonction d'auto-propulsion ; tirez le levier de réglage de la vitesse d'auto-propulsion sur la position REVERSE (marche arrière) puis appuyez sur la gâchette d'auto-propulsion.

REMARQUE: La vitesse est prédéfinie lorsque vous faites marche arrière avec l'auto-propulsion. Le levier de réglage de la vitesse ne peut pas modifier la vitesse en marche arrière.

REMARQUE: La fraise à neige ne peut pas passer en marche arrière lorsque la fonction d'auto-propulsion déplace la machine vers l'avant.

COUPLAGE DE LA GACHETTE DE LA TARIERE ET DE LA GACHETTE D'AUTO-PROPULSION

Lorsque la gâchette d'auto-propulsion (A-18) et la gâchette de la tarière (A-13) sont enfoncées en même temps, si vous relâchez ensuite la gâchette de la tarière (main droite), celle-ci reste enclenchée. Cette fonction vous permet de régler la vitesse de la tarière, la vitesse d'auto-propulsion et la direction d'éjection de la neige alors que la tarière est en rotation.

Pour arrêter la tarière, relâchez la gâchette d'auto-propulsion. La tarière et la fonction d'auto-propulsion s'arrêtent.

REGLAGE DE LA GOULOTTE ET DU DEFLECTEUR

La goulotte peut être réglée afin de modifier à la fois la direction et la distance à laquelle la neige est éjectée pour vous aider à déblayer la neige en la déplaçant vers un autre endroit.

La direction vers laquelle la neige est éjectée peut être réglée jusqu'à 100° à gauche et à droite.

Tirez la poignée de rotation de goulotte (A-22) vers la gauche/droite pour faire tourner la goulotte vers la gauche/droite.

La distance d'éjection de la neige se règle en déplaçant le déflecteur de la goulotte vers le haut ou le bas.

Pour augmenter ou diminuer la distance à laquelle la neige est éjectée, tirez la poignée du déflecteur de la goulotte (A-23) vers l'avant ou l'arrière pour monter ou descendre le déflecteur de goulotte (A-10). Une fois que le déflecteur est placé à la position souhaitée, enclenchez la poignée du déflecteur dans la fente de blocage (F-1) (image F).

FONCTIONNEMENT DES ECLAIRAGES LATERAUX (A-12) ET DES PHARES (A-6)

Appuyez une fois sur l'interrupteur d'éclairage LED pour allumer les éclairages latéraux et les phares.

Appuyez deux fois sur l'interrupteur d'éclairage LED pour éteindre les éclairages latéraux.

Appuyez trois fois sur l'interrupteur d'éclairage LED pour éteindre toutes les lampes.

REMARQUE: Tous les éclairages LED s'éteindront automatiquement si la fraise à neige n'est pas utilisée après 5 minutes.

VOYANT LED (A-21) SUR LA FRAISE A NEIGE

La fraise à neige est munie d'un voyant LED qui indique la capacité de charge de la batterie et l'état de fonctionnement de la fraise à neige.

VOYANT LED	Signification	Action
Brille en vert	La fraise à neige fonctionne correctement, la batterie dispose d'au moins 15 % de sa charge.	N/A
Clignote en rouge	La batterie est presque déchargée.	Éteignez la fraise à neige et rechargez la batterie.
Clignote en vert et en rouge alternativement	Erreur	Contactez le service client EGO.
Brille en orange	La fraise à neige s'arrête en raison d'une surchauffe.	Retirez la batterie de la fraise à neige, mettez-la à l'ombre et laissez-la refroidir au moins 15 minutes.
Clignote en orange	La fraise à neige est en surcharge.	Retirez d'abord la batterie puis nettoyez la neige accumulée dans le caisson le cas échéant. Ralentissez votre cadence de déblaiement de la neige. Si cela ne résout pas le problème, contactez le service client EGO.
Eteint et voyant LED de la batterie clignote	Surchauffe de la batterie. (Voir partie « PROTECTION CONTRE LA SURCHAUFFE DE LA BATTERIE » dans ce mode d'emploi)	Retirez la batterie de la fraise à neige et attendez que la batterie refroidisse jusqu'à environ 67 °C, puis réinsérez-la et redémarrez la fraise à neige.

PROTECTION CONTRE LA SURCHARGE DE LA FRAISE A NEIGE

Votre fraise à neige dispose d'éléments de détection de surcharge intégrés. Lorsque la fraise à neige est en surcharge, le moteur diminue la vitesse automatiquement et vous entendrez le volume sonore du moteur baisser. Réduisez votre cadence ou rétrécissez la largeur de déblaiement, puis la vitesse du moteur va automatiquement repasser à sa vitesse normale. Si cela ne résout pas le problème de surcharge, le capteur va couper le moteur automatiquement et le voyant LED de la fraise à neige clignotera en orange. Retirez la batterie de la fraise à neige, patientez 10 secondes et vérifiez si de la neige ou de la glace est coincée dans la tarière et le caisson. Si nécessaire, suivez les consignes indiquées dans la partie « Dégager une goulotte bouchée ». Réinsérez la batterie et redémarrez la fraise à neige.

DEGAGER UNE GOULOTTE BOUCHEE

⚠ AVERTISSEMENT: Utilisez toujours l'outil de nettoyage de goulotte (A-8) fourni avec la machine, n'utilisez pas vos mains.

PROTECTION CONTRE LA SURCHAUFFE DE LA BATTERIE

La batterie génère de la chaleur lors du fonctionnement. Lorsqu'il fait chaud, la chaleur se dissipe plus lentement. Si la température de la batterie dépasse 70 °C, le circuit de protection éteint immédiatement la fraise à neige pour éviter d'endommager la batterie. Le voyant d'état sur la fraise à neige s'éteint. Pour plus de détails sur le voyant LED de la batterie, consultez la partie « PROTECTION DE LA BATTERIE » dans le mode d'emploi de la batterie. Relâchez le levier d'interrupteur, attendez que la batterie refroidisse jusqu'à environ 67 °C, puis redémarrez la fraise à neige.

CONSEILS SUR L'UTILISATION

⚠ DANGER: N'utilisez jamais la fraise à neige sur des lacs ou des rivières gelées ou des surfaces similaires. Il existe un risque de blessures graves ou de mort si la glace cède.

⚠ DANGER: N'utilisez jamais la fraise à neige sur un toit ou toute autre surface inégale : il existe un risque de mort ou de blessures graves.

⚠ AVERTISSEMENT: N'utilisez pas la fraise à neige sur de la glace, l'opérateur pourrait glisser et tomber, ce qui pourrait entraîner des blessures graves.

⚠ AVERTISSEMENT: Ne portez pas de vêtements amples, d'écharpes, ni de bijoux. Ils pourraient rester accrochés dans des pièces mobiles et entraîner la mort ou des blessures graves.

⚠ AVERTISSEMENT: La neige doit être éjectée loin de tous dispositifs électriques afin de réduire le risque d'électrocution ou de choc électrique.

⚠ AVERTISSEMENT: Ne dirigez pas la fraise à neige ou la goulotte d'éjection vers une personne ou un animal. La neige projetée ou d'autres débris peuvent causer des blessures graves.

⚠ AVERTISSEMENT: Veillez à ce que la surface à déblayer soit dépourvue de pierres, bâtons, câbles, graviers et autres objets qui pourraient être accidentellement projetés par la fraise à neige dans n'importe quelle direction et entraîner des blessures graves pour l'opérateur et d'autres personnes.

- Si la machine entre en contact avec un obstacle ou un débris lors de l'utilisation, arrêtez la fraise à neige, retirez la batterie, retirez l'obstacle et inspectez l'unité minutieusement pour vérifier qu'elle ne présente pas de dommages.

⚠ AVERTISSEMENT: Ne mettez jamais les mains dans la goulotte d'éjection et ne placez jamais une partie du corps devant la fraise à neige lorsqu'elle est en fonctionnement ou lorsque la batterie est insérée. Veillez toujours à ce que toutes les pièces mobiles soient arrêtées et à ce que la batterie soit retirée avant de déboucher un blocage. Le non-respect de ces consignes peut provoquer des blessures corporelles graves.

- Faites attention à la direction du vent avant de commencer à déblayer. Lorsque cela est possible, éjectez la neige dans la même direction que celle du vent afin que la neige ne vous retombe pas dessus.
- Certaines pièces de la fraise à neige peuvent geler dans des conditions météo extrêmes. N'essayez pas de faire fonctionner la machine si certaines de ses pièces sont gelées.
- Une fois le déblaiement terminé, laissez tourner le moteur pendant quelques minutes supplémentaires afin d'empêcher les pièces mobiles de geler, puis déplacez la poignée de rotation de la goulotte d'avant en arrière plusieurs fois pour la libérer de toute accumulation de glace. Veillez à retirer toute la neige et la glace présente sur le socle de la goulotte.
- Dans des conditions de neige et de froid, certaines commandes et pièces mobiles peuvent geler. N'exercez pas une force excessive lorsque vous essayez de faire fonctionner des commandes gelées.

Si vous avez du mal à faire fonctionner les commandes ou les pièces, démarrez la machine comme décrit à la partie « DEMARRAGE/ARRET DE LA FRAISE A NEIGE » et laissez-la tourner quelques minutes.

ENTRETIEN

ENTRETIEN GÉNÉRAL

N'utilisez pas de solvant pour nettoyer les pièces en plastique. La plupart des plastiques peuvent être détériorés par de nombreux types de solvants vendus dans le commerce. Utilisez un chiffon propre pour enlever les saletés, les poussières, l'huile, la graisse, etc.

LUBRIFICATION DE LA MACHINE

Toutes les roulements de ce produit sont lubrifiés avec une quantité suffisante de lubrifiant de haute qualité pour la durée de vie de la machine dans des conditions normales d'utilisation. C'est pourquoi il n'est pas nécessaire de lubrifier davantage les roulements.

REMPLACEMENT ET RÉGLAGE DES PATINS

1. Retirez la batterie.
2. Desserrez et retirez les écrous, bagues et patins des vis (image G1).
3. Remplacez le patin par un patin neuf le cas échéant.
4. La hauteur des patins peut être réglée selon les conditions d'enneigement sans entièrement retirer les écrous : il suffit de les desserrer, de régler la position du patin puis de les resserrer (image G2).

REMPLACEMENT DE LA GOUPILLE DE CISAILLEMENT

Les goupilles de cisaillement sont situées dans l'axe de la tarière (image H1). Elle permettent de protéger la boîte de vitesses et le moteur contre tout risque de dommages en cas de blocage de la tarière par un obstacle.

H-1	Axe de tarière	H-2	Goupille de cisaillement
-----	----------------	-----	--------------------------

Pour remplacer les goupilles de cisaillement, retirez la batterie, retirez la goupille de cisaillement cassée de l'axe de la tarière et remplacez-la par de nouveaux boulons.

REMARQUE: Deux goupilles de cisaillement supplémentaires sont stockées sur la goulotte, à remplacer par une neuve si la goupille d'origine se casse. (image H2).

ENTREPOSAGE DE LA FRAISE A NEIGE

⚠ ATTENTION: Veillez à ce que toute la neige fondue susceptible de s'égoutter de la fraise à neige soit correctement essuyée afin d'éviter tout risque de glissement et de chute.

- Retirez la batterie et entreposez-la dans un endroit sûr hors de portée des enfants.

Avant de l'entreposer, essuyez toute trace d'humidité, de saleté ou de débris.

- Essuyez la fraise à neige avec un chiffon propre et sec.
- Vérifiez le serrage de tous les écrous, boulons, molettes, vis, etc.
- Vérifiez que les pièces mobiles ne présentent pas de dommages, cassures ni de traces d'usure. Faites réparer toute pièce endommagée et remplacez les pièces manquantes.
- Entreposez la fraise à neige dans un endroit fermé propre et sec, hors de portée des enfants.
- Ne la rangez pas près de matériaux corrosifs, par exemple des engrais ou des cristaux de sel.

Protection de l'environnement



Ne jetez pas les appareils électriques avec les déchets ménagers non triés, déposez-les dans des centres de collecte spécifiques.

Contactez votre mairie pour en savoir plus les systèmes de collecte disponibles.

Si les appareils électriques sont jetés dans des décharges ou des dépôts d'ordures, des substances dangereuses peuvent se répandre dans la nappe phréatique et rentrer dans la chaîne alimentaire, ce qui est néfaste pour votre santé et votre bien-être.

DÉPANNAGE

⚠ AVERTISSEMENT: Retirez toujours la batterie pendant l'entretien ou le transport de la fraise à neige. Protégez toujours vos mains en portant des gants pendant toutes les opérations d'entretien de la tarière ou de la barre de raclage de la fraise à neige.

FR

PROBLÈME	CAUSE	SOLUTION
La fraise à neige ne démarre pas.	<ul style="list-style-type: none"> ■ La batterie est faible. ■ La gâchette de la tarière n'est pas enfoncée lorsque le voyant LED clignote en vert. ■ La tarière est gelée par de la neige ou de la glace. ■ La batterie est surchauffe. Le voyant LED sur la batterie clignote en orange ou brille en rouge (voir la partie « PROTECTION CONTRE LA SURCHAUFFE DE LA BATTERIE » dans ce manuel). 	<ul style="list-style-type: none"> ■ Rechargez la batterie. ■ Appuyez sur la gâchette de la tarière lorsque le voyant LED clignote. Si le voyant LED cesse de clignoter, la fraise à neige ne réagira pas à l'appui sur la gâchette de la tarière. ■ Retirez d'abord la batterie, utilisez l'outil de nettoyage de goulotte fourni pour retirer la neige ou la glace qui bouche la tarière. Redémarrez la fraise à neige. ■ Retirez la batterie en surchauffe de la fraise à neige et attendez que la batterie refroidisse jusqu'à environ 67 °C, puis réinsérez-la et redémarrez la fraise à neige.
Le moteur est en marche mais la tarière ne fonctionne pas.	<ul style="list-style-type: none"> ■ La goupille de cisaillement est cassée. 	<ul style="list-style-type: none"> ■ Remplacez la goupille de cisaillement en procédant comme indiqué dans la partie « REMPLACEMENT DE LA GOUPILLE DE CISAILLEMENT » de ce manuel.
L'interrupteur d'éclairage LED ne répond pas à la première pression.	<ul style="list-style-type: none"> ■ Le processus d'auto-vérification interne provoque un léger retard dans la réponse à la première pression sur l'interrupteur. 	<ul style="list-style-type: none"> ■ Appuyez sur l'interrupteur d'éclairage LED et maintenez-le enfoncé pendant 1 seconde.
Le voyant LED sur la batterie reste allumé après l'arrêt de la tarière ou du système d'auto-propulsion.	<ul style="list-style-type: none"> ■ Le circuit électrique est en veille pour le prochain redémarrage. La LED s'éteint automatiquement si la fraise à neige reste inutilisée pendant 5 à 10 minutes. 	<ul style="list-style-type: none"> ■ Ne faites rien ou retirez la batterie de son compartiment.

GARANTIE

Visitez le site Web egopowerplus.eu pour consulter l'intégralité des conditions de la politique de garantie EGO.

¡LEA TODAS LAS INSTRUCCIONES!

Uso previsto: Quitar nieve de áreas como calzadas y aceras.

ES

⚠️ ADVERTENCIA: Antes de utilizar esta herramienta, asegúrese de haber leído y entendido perfectamente todas las instrucciones incluidas en este manual del usuario, incluidos todos los símbolos de aviso sobre seguridad, como «**PELIGRO**», «**ADVERTENCIA**» y «**PRECAUCIÓN**». Si no se observan todas las instrucciones que se indican a continuación existe riesgo de incendio, electrocución, así como de lesiones graves.

⚠️ ADVERTENCIA: Cuando se utilizan herramientas eléctricas, es posible que salgan despedidos objetos que podrían causar lesiones oculares graves. Antes de empezar a usar herramientas eléctricas, póngase siempre gafas de seguridad, gafas con cristales anti-impacto que cuenten con pantallas de protección lateral o una máscara facial completa. Recomendamos usar una máscara de seguridad de amplia visión que pueda utilizarse encima de gafas graduadas, o bien gafas normales de seguridad equipadas con pantallas laterales.

SÍMBOLOS DE SEGURIDAD



Aviso de seguridad



Para reducir el riesgo de lesiones, el usuario debe leer y comprender el manual del usuario antes de utilizar este producto.



Mantenga las manos y los pies apartados



Utilice siempre gafas de seguridad, gafas con cristales anti-impacto que cuenten con pantallas de protección lateral, o bien una máscara facial que proteja completamente la cara cuando use este producto.



PRECAUCIÓN: No mire hacia la lámpara en funcionamiento.



PELIGRO — Apague el motor antes de eliminar obstrucciones de la tolva de descarga. Para reducir el riesgo de lesiones, mantenga las manos y los pies alejados de las piezas giratorias. Las obstrucciones deben solucionarse siempre después de haber apagado el motor, y nunca con la mano.



Mantenga los pies alejados del impulsor.



Los productos eléctricos no deben eliminarse con la basura doméstica. Llévelos a un centro de reciclaje autorizado.



Nivel de potencia acústica garantizado. Cumple la directiva de la Comunidad Europea.



Este producto está en conformidad con la directiva de la CE aplicable.



Corriente continua



Este producto cumple la legislación aplicable del Reino Unido.

kg

Kilogramo

V

Voltios

IPX4

Protección contra chorros de agua

ESPECIFICACIONES

Tensión	56 V	
Anchura de limpieza	61 cm	
Altura de aspiración	51 cm	
Distancia de l anzamiento	13 m	
Tamaño de las ruedas	38 cm	
Peso	68 kg	
Temperatura de funcionamiento recomendada	de -20 °C a 10 °C	
Temperatura de almacenamiento recomendada	de -20 °C a 70 °C	
Nivel de potencia acústica medido L_{WA}	96,61 dB(A) K=1,6 dB(A)	
Nivel de presión acústica medido a la altura del oído del usuario L_{PA}	82,5 dB(A) K=4 dB(A)	
Nivel de potencia acústica garantizado L_{WA} (medido según 2000/14/CE)	98 dB(A)	
Evaluación de la vibración $a_{h,v}$:	Empuñadura izquierda	0,3 m/s ² K=1,5 m/s ²
	Empuñadura derecha	0,4 m/s ² K=1,5 m/s ²

15. Palanca de control de la velocidad de la barrena
16. Botón de seguridad
17. Palanca de control de la velocidad de la autopropulsión
18. Gatillo de autopropulsión
19. Empuñadura principal
20. Botón de la luz LED
21. Indicador LED
22. Mando de rotación de la tolva
23. Mando del deflector de la tolva
24. Barrena
25. Rascador
26. Botón de liberación de la batería
27. Contactos eléctricos

LISTA DEL CONTENIDO (FIG. A3)

MONTAJE

MONTAJE/DESMONTAJE DE LAS RUEDAS

1. Coloque el soplador de nieve en la posición que se muestra en la fig. B para facilitar el montaje.
2. Quite la arandela exterior y la espiga de bloqueo de la rueda en el eje.
3. Monte la rueda y la arandela exterior. Fíjelas con la espiga de bloqueo de la rueda.

Aviso: Compruebe la rueda antes de la instalación, para asegurarse de que la flecha de la rueda esté hacia delante (fig. B).

B-1	Arandela exterior	B-2	Espiga de bloqueo de la rueda
-----	-------------------	-----	-------------------------------

INSTALACIÓN DEL MANILLAR

Aviso: Es necesario montar el manillar antes de utilizar el soplador de nieve (fig. C1)

C-1	Tuerca de bloqueo	C-2	Manillar
-----	-------------------	-----	----------

Afloje las cuatro tuercas de bloqueo y saque los tornillos. Guárdelos para volver a montarlos después.

Escoja una posición que le resulte cómoda para manejar el aparato según su altura (fig. C2). El manillar se puede ajustar a tres alturas diferentes. (Fig. C3, fig. C4 y fig. C5)

Posición superior de manejo como en la fig. C3

Posición media de manejo como en la fig. C4

Posición inferior de manejo como en la fig. C5

DESCRIPCIÓN

FAMILIARÍCESE CON EL SOPLADOR DE NIEVE

(Fig. A1 y A2)

1. Tubo lateral
2. Tapa de la batería
3. Compartimento de la batería
4. Ruedas
5. Patín
6. Faros LED
7. Cubierta
8. Herramienta para limpiar la tolva
9. Tolva de descarga de nieve
10. Deflector de la tolva
11. Empuñadura trasera
12. Luces LED laterales
13. Gatillo interruptor de la barrena
14. Empuñadura principal

INSTALACIÓN DEL CONJUNTO DE LA TOLVA DE DESCARGA DE NIEVE

ES

⚠️ ADVERTENCIA: No utilice nunca el soplador de nieve sin la tolva de descarga completa instalada en su posición.

1. Afloje la tuerca en el tubo de soporte interior y quite el tornillo (fig. D1). Guarde la tuerca y el tornillo para volverlos a montar.

D-1	Tolva de descarga de nieve	D-2	Tubo de soporte exterior
D-3	Tuerca	D-4	Tubo de soporte interior
D-5	Base	D-6	Tornillo

2. Levante el conjunto de la tolva de descarga de nieve, alinee el tubo de soporte exterior con el tubo de soporte interior para deslizar el tubo de soporte exterior a su posición. Asegúrese de que la tolva de descarga de nieve esté apoyada sobre la base (fig. D2).
3. Sujete el conjunto de la tolva de descarga de nieve con la tuerca y el tornillo que ha guardado.
4. Con el regulador de cable en línea se puede cambiar la fuerza de movimiento del mango de rotación de la tolva. Para reducir la fuerza, gire ligeramente el regulador de cable en línea en sentido antihorario (fig. D2). Inversamente, para aumentar la fuerza, gírelo en sentido contrario. Tenga en cuenta que la tolva de descarga de nieve se desviará a la izquierda/derecha durante el uso si está demasiado suelta.

FUNCIONAMIENTO

INSERTAR/SACAR LA BATERÍA

CARGUE LA BATERÍA ANTES DEL PRIMER USO.

Utilice el aparato solo con baterías y cargadores enumerados en la lista de la fig. A4

NOTA: Para obtener un rendimiento óptimo, recomendamos usar con dos baterías de litio de 5,0 Ah EGO 56 V Arc o dos baterías de litio Arc EGO de 56V de mayor capacidad.

Quando no se utilice el aparato, las baterías de 56 V deben guardarse en un área cerrada en la que la temperatura no descienda por debajo de -20 °C. Las temperaturas de carga óptimas son entre 5 °C y 40 °C.

Insertar

Empuje la batería en el compartimento de la batería hasta que se oiga un «clic». (FIG. E1)

Sacar

Pulse el botón de liberación de la batería en el compartimento de la batería. (FIG. E2)

AVISO: Asegúrese de que la lengüeta del soplador de nieve enganche en su lugar y la(s) batería(s) esté(n) sujeta(s) en el aparato antes de ponerlo en marcha.

ARRANQUE/PARADA DEL SOPLADOR DE NIEVE

⚠️ PRECAUCIÓN: No intente nunca anular la función del botón de seguridad.

⚠️ ADVERTENCIA: Asegúrese de que las personas y los animales domésticos se mantengan a una distancia mínima de 30 metros de la zona donde se esté utilizando el soplador de nieve.

⚠️ ADVERTENCIA: La barrena continúa girando durante unos segundos después de haber apagado el soplador de nieve. Espere a que la barrena haya dejado de girar antes de volver a poner en marcha el aparato.

AVISO: No encienda y apague rápidamente el soplador de nieve.

Para poner en marcha el soplador de nieve, proceda del modo siguiente:

1. Asegúrese de que el manillar esté ajustado de forma segura a la altura adecuada, la tolva de descarga lateral esté montada correctamente, y la tolva y el deflector de la tolva estén ajustados a la posición adecuada.
2. Inserte la(s) batería(s) en el soplador de nieve y, a continuación, cierre la tapa de las baterías.
3. Pulse el botón de seguridad (A-16) y manténgalo pulsado durante 1 segundo. El indicador LED (A-21) parpadeará de color verde. Pulse el gatillo interruptor de la barrena (A-13) para encender el soplador de nieve mientras el indicador LED parpadea.

AVISO: El soplador de nieve solo se puede encender con el gatillo interruptor de la barrena mientras el indicador LED parpadea.

AVISO: Es posible que el soplador de nieve no arranque correctamente si las baterías están a una temperatura de -20 °C o inferior. Si el soplador de nieve no arranca, saque la batería del aparato y deje que se caliente en el interior durante 10 minutos como mínimo. Vuelva a instalar la batería y pruebe de nuevo.

Para apagar el soplador de nieve

Suelte totalmente el gatillo interruptor de la barrena.

NOTA: El freno eléctrico incorporado en el mecanismo automático de frenado detendrá la rotación de la barrena en el transcurso de 3 segundos después de soltar el gatillo interruptor de la barrena.

Sistema de velocidad variable de la barrena

La velocidad de la barrena se puede ajustar para controlar la distancia de lanzamiento.

Para aumentar o reducir la velocidad, empuje la palanca de control de la velocidad de la barrena (A-15) hacia delante o hacia atrás.

Sistema de autopropulsión de velocidad variable

El soplador de nieve está equipado con una función de autopropulsión de velocidad variable. Es independiente del giro de la barrena.

Para utilizar el sistema de autopropulsión sin que gire la barrena, presione el gatillo de autopropulsión (A-18) hacia la empuñadura. Para aumentar la velocidad, mueva hacia delante la palanca de control de la velocidad de la autopropulsión (A-17). Para reducir la velocidad, mueva hacia atrás la palanca de control de la velocidad de la autopropulsión.

Para apagar la función de autopropulsión, suelte el gatillo de autopropulsión.

Para mover el soplador de nieve hacia atrás, apague primero la función de autopropulsión; tire de la palanca de control de la velocidad de la autopropulsión a la posición «REVERSE» (marcha atrás) y, a continuación, presione el gatillo de la autopropulsión.

AVISO: La velocidad es fija cuando el soplador de nieve se utiliza marcha atrás con autopropulsión; con la palanca de control de velocidad no se puede cambiar la velocidad yendo hacia atrás.

AVISO: El soplador de nieve no se puede conmutar para desplazarse hacia atrás mientras la función de autopropulsión está ajustada para moverse hacia delante.

VINCULACIÓN DEL GATILLO INTERRUPTOR DE LA BARRENA Y DEL GATILLO DE AUTOPROPULSIÓN

Cuando se pulsan al mismo tiempo el gatillo de autopropulsión (A-18) y el gatillo interruptor de la barrena (A-13), suelte el gatillo interruptor de la barrena (a la derecha), y el gatillo interruptor de la barrena seguirá conectado. Esta

función le permite ajustar la velocidad de la barrena, la velocidad de la autopropulsión y la dirección de descarga de la nieve mientras gira la barrena

Para parar la barrena, suelte el gatillo de autopropulsión. Se parará tanto la barrena como la función de autopropulsión.

ES

AJUSTE DE LA TOLVA Y EL DEFLECTOR

La tolva se puede ajustar para cambiar tanto la dirección como la distancia de descarga de la nieve, para ayudarle a apartar la nieve de un área y depositarla en otra.

La dirección de retirada de la nieve se puede ajustar hasta 100° a la izquierda y 100° a la derecha

Tire de la empuñadura de rotación de la tolva (A-22) hacia la izquierda o hacia la derecha para girar la tolva en la dirección respectiva.

La distancia de lanzamiento del soplador de nieve se ajusta moviendo el deflector de la tolva hacia arriba o hacia abajo.

Para aumentar o reducir la distancia a la que se lanza la nieve, tire de la empuñadura del deflector de la tolva (A-23) hacia atrás o hacia delante para subir o bajar el deflector de la tolva (A-10). Cuando haya alcanzado la posición que desee del deflector de la tolva, enganche la empuñadura del deflector de la tolva en la ranura de bloqueo (F-1) (fig. F).

FUNCIONAMIENTO DE LAS LUCES LED LATERALES (A-12) Y LOS FAROS LED (A-6)

Pulse una vez botón de la luz LED para encender tanto las luces laterales como los faros.

Pulse dos veces el botón de la luz LED para apagar las luces laterales.

Pulse tres veces el botón de la luz LED para apagar todas las luces.

AVISO: Todas las luces LED se apagarán automáticamente si el soplador de nieve no se usa durante 5 minutos.

INDICADOR LED (A-21) EN EL SOPLADOR DE NIEVE

El soplador de nieve está equipado con un indicador LED que señala el nivel de carga de la(s) batería(s) y el estado de funcionamiento del soplador de nieve.

INDICADOR LED	Significado	Acción
Encendido en verde	El soplador de nieve funciona correctamente; cada batería tiene al menos el 15% de su carga total.	Ninguna
Parpadeando en rojo	La batería está casi agotada.	Apague el soplador de nieve y cargue la(s) batería(s).
Parpadeando alternativamente en verde y rojo	Error	Póngase en contacto con el servicio de asistencia técnica de EGO.
Encendido en naranja	El soplador de nieve se para debido a que se ha sobrecalentado.	Quite las baterías del soplador de nieve, póngalas a la sombra y deje que se enfríen como mínimo 15 minutos.
Parpadeando en naranja	El soplador de nieve se ha sobrecargado.	Quite en primer lugar las baterías y, a continuación, compruebe si se ha acumulado nieve debajo de la cubierta. Dado el caso, límpiela. Reduzca el ritmo cuando se desplace sobre la nieve. Si esto no da resultado, póngase en contacto con el servicio de atención al cliente de EGO.

Apagado y LED de la batería parpadeando	Temperatura excesiva de las baterías. (Consulte el apartado «PROTECCIÓN CONTRA SOBRECARGA DEL SOPLADOR DE NIEVE» en este manual)	Quite la batería del soplador de nieve y espere a que la batería se haya enfriado hasta aproximadamente 67 °C. A continuación, vuelva a instalar la batería y arranque de nuevo el soplador de nieve.
---	--	---

PROTECCIÓN CONTRA SOBRECARGA DEL SOPLADOR DE NIEVE

El soplador de nieve tiene elementos sensores de sobrecarga incorporados. Cuando el soplador de nieve está sobrecargado, el motor reduce automáticamente la velocidad y se escucha cómo disminuye el volumen del motor. Reduzca su velocidad o estreche la anchura de limpieza. A continuación, la velocidad del motor regresará automáticamente al ajuste normal. Si con esta medida no se soluciona la situación de sobrecarga, el sensor apagará el motor automáticamente y el indicador LED del soplador de nieve parpadeará de color naranja. Quite la(s) batería(s) del soplador de nieve, espere 10 segundos y compruebe si hay nieve o hielo atascados en la barrena y en la cubierta. En caso necesario, siga las instrucciones para «Eliminar una obstrucción de la tolva». Vuelva a insertar las baterías y arranque de nuevo el soplador de nieve.

ELIMINAR UNA OBSTRUCCIÓN DE LA TOLVA

⚠ ADVERTENCIA: Use siempre la herramienta de limpieza de la tolva (A-8) incluida en la máquina como accesorio, no use la mano.

PROTECCIÓN CONTRA SOBRECALENTAMIENTO DE LA BATERÍA

La batería genera calor durante su funcionamiento. El calor se disipa más despacio cuando hace mucho calor. Si la temperatura de la batería supera los 70 °C durante el uso, el circuito de protección apagará inmediatamente el soplador de nieve para proteger la batería de posibles daños. El indicador de estado del soplador de nieve se apagará. Consulte los detalles del indicador LED de la batería en el apartado «PROTECCIÓN DE LA BATERÍA» del manual del usuario de la batería. Suelte la palanca del interruptor del embrague, espere a que la batería se haya enfriado hasta alcanzar unos 67 °C y vuelva a poner en marcha el soplador de nieve.

CONSEJOS DE USO

⚠ PELIGRO: No use nunca un soplador de nieve sobre ríos o lagos helados, u otras superficies similares. Existe peligro de muerte o lesiones graves en caso de que se rompa el hielo.

⚠ PELIGRO: No use nunca el soplador de nieve sobre un tejado ni sobre otras superficies inestables, ya que podrían producirse lesiones graves o mortales.

⚠ ADVERTENCIA: No use el soplador de nieve sobre el hielo, ya que el usuario podría resbalar y caer, con el riesgo de lesionarse gravemente.

⚠ ADVERTENCIA: No lleve puesta ropa holgada, bufandas ni joyas. Podrían engancharse en las piezas móviles y provocar la muerte o lesiones graves.

⚠ ADVERTENCIA: Mantenga la descarga de nieve apuntando lejos de todos los dispositivos eléctricos, para reducir el riesgo de electrocución o descarga eléctrica.

⚠ ADVERTENCIA: Nunca dirija el soplador de nieve o la tolva de descarga hacia personas o animales. La nieve u otros objetos lanzados podrían causar lesiones graves.

⚠ ADVERTENCIA: Asegúrese de que el área que va a limpiar esté libre de piedras, palos, alambres, gravilla y otros objetos que podrían ser lanzados accidentalmente por el soplador de nieve en cualquier dirección, provocando lesiones graves al usuario y a otras personas.

- Si el aparato entra en contacto con algún tipo de obstrucción o residuo durante el uso, pare el soplador de nieve, quite la(s) batería(s), elimine la obstrucción e inspeccione el aparato con cuidado para ver si está dañado antes de continuar.

⚠ ADVERTENCIA: No introduzca nunca la mano en la tolva de descarga ni coloque ninguna parte del cuerpo delante del soplador de nieve cuando el aparato esté en funcionamiento o cuando la(s) batería(s) esté(n) instalada(s). Asegúrese siempre de que todas las piezas móviles se hayan detenido y de que se hayan sacado la(s) batería(s) antes de limpiar cualquier obstrucción. El incumplimiento de estas instrucciones podría provocar lesiones graves.

- Tenga en cuenta la dirección del viento antes de empezar. Si es posible, descargue la nieve en la misma dirección que el viento para evitar que la nieve le caiga en la cara.
- Algunas piezas del soplador de nieve se pueden congelar en condiciones meteorológicas extremas. No intente usar el aparato si alguna pieza está congelada.

- Cuando termine, deje que el motor funcione algunos minutos más para evitar que se congelen las piezas móviles. A continuación, gire varias veces la empuñadura de giro de la tolva hacia atrás y hacia delante para eliminar el hielo acumulado. Asegúrese de limpiar toda la nieve y el hielo de la base de la tolva.

- En condiciones de frío y nieve, puede que se congelen algunas piezas móviles y de control. No ejerza demasiada fuerza cuando intente utilizar los controles congelados. Si tiene dificultades para poner en marcha alguna pieza o control, arranque la máquina como se indica en el apartado «ARRANQUE/PARADA DEL SOPLADOR DE NIEVE» y deje que funcione algunos minutos.

MANTENIMIENTO

MANTENIMIENTO GENERAL

Evite utilizar disolventes para limpiar las piezas de plástico. La mayoría de los plásticos podrían dañarse si se limpian con algunos de los tipos de disolventes disponibles en el mercado. Utilice un paño limpio para eliminar la suciedad, polvo, aceite, grasa, etc.

LUBRICACIÓN DE LA MÁQUINA

Todos los cojinetes de este producto están lubricados con una cantidad suficiente de lubricante de alto grado para toda la vida útil del aparato en condiciones normales de funcionamiento. Por tanto, no es necesario volver a lubricar los cojinetes.

CAMBIAR Y AJUSTAR LOS PATINES

1. Quite las baterías.
2. Afloje las tuercas y quítelas de los tornillos, con las arandelas y el patín (fig. G1).
3. En caso necesario, cambie el patín por uno nuevo.
4. La altura de los patines se puede ajustar en función de las condiciones de nieve que haya en cada momento. Para ello, en lugar de quitar las tuercas completamente, solo aflójelas, ajuste la posición del patín y vuelva a apretarlas (fig. G2).

SUSTITUCIÓN DE LOS PASADORES DE SEGURIDAD

Los pasadores de seguridad se encuentran en el eje de la barrena (fig. H1). Ayudan a absorber el par límite instantáneo cuando la barrena golpea obstáculos durante el funcionamiento, y protegen la caja de engranajes y el motor para evitar que se dañen.

H-1	Eje de la barrena	H-2	Pasador de seguridad
-----	-------------------	-----	----------------------

Para sustituir los pasadores de seguridad, saque las baterías, quite del eje de la barrena el pasador de seguridad roto, y cámbielo con tornillos nuevos.

ES

AVISO: En el conjunto de la tolva hay dos pasadores de seguridad adicionales. Cambie el pasador por uno nuevo si el original se rompe. (Fig. H2).

ALMACENAMIENTO DEL SOPLADOR DE NIEVE

⚠ PRECAUCIÓN: Asegúrese de limpiar bien toda la nieve derretida que pueda gotear del soplador de nieve, para evitar el riesgo de resbalones y caídas.

- Saque la(s) batería(s) y guárdelas en un lugar seguro, fuera del alcance de los niños.

Antes de guardarla, limpie toda la humedad, suciedad, o residuos del área de la batería.

- Limpie el soplador de nieve con un paño limpio y seco.
- Compruebe que todas las tuercas, pernos, pomos, tornillos, etc. estén bien apretados.
- Inspeccione las piezas móviles para detectar daños, rotura y desgaste. Lleve el aparato a reparar si alguna pieza falta o está dañada.
- Guarde el soplador de nieve en un lugar limpio, seco y cerrado, fuera del alcance de los niños.
- No la guarde cerca de materiales corrosivos, como fertilizantes o sal gema.

Protección del medio ambiente



No elimine los aparatos eléctricos como basura sin clasificar. Utilice las instalaciones de recogida de residuos específicas.

Póngase en contacto con su ayuntamiento para informarse acerca de los sistemas de recogida disponibles.

Si los aparatos eléctricos acabaran tirándose a vertederos o basureros, podrían desprender sustancias perjudiciales que llegarían a contaminar las capas freáticas y entrar en la cadena alimenticia, con el consecuente peligro para la salud y calidad de vida humana.

SOLUCIÓN DE PROBLEMAS

⚠ ADVERTENCIA: Quite siempre la batería antes de reparar o transportar el soplador de nieve. Proteja siempre sus manos utilizando guantes cuando lleve a cabo cualquier operación de mantenimiento en la barrena o el rascador del soplador de nieve.

ES

PROBLEMA	CAUSA	SOLUCIÓN
El soplador de nieve no arranca.	<ul style="list-style-type: none"> ■ Carga de la batería demasiado baja. ■ El gatillo interruptor de la barrena no se presiona mientras el indicador LED está parpadeando de color verde. ■ La barrena está congelada debido a nieve o hielo. ■ La batería está sobrecalentada. El indicador LED de la batería parpadea de color naranja o se enciende de color rojo (consulte el apartado «PROTECCIÓN CONTRA SOBRECALENTAMIENTO DE LA BATERÍA» en este manual). 	<ul style="list-style-type: none"> ■ Cargue la batería. ■ Presione el gatillo interruptor de la barrena cuando el indicador LED esté parpadeando. Si el indicador LED deja de parpadear, el soplador de nieve no responderá cuando se presione el gatillo interruptor de la barrena. ■ En primer lugar, quite la(s) batería(s), y utilice la herramienta para la limpiar la tolva que se incluye con el aparato para quitar la nieve o el hielo que obstruye la barrena. Vuelva a arrancar el soplador de nieve. ■ Quite la batería sobrecalentada del soplador de nieve y espere a que la batería se haya enfriado hasta aproximadamente 67 °C. A continuación, vuelva a instalar la batería y arranque de nuevo el soplador de nieve.
El motor está encendido, pero la barrena no se enciende.	<ul style="list-style-type: none"> ■ El pasador de seguridad está roto. 	<ul style="list-style-type: none"> ■ Cambie el pasador de seguridad siguiendo las instrucciones del apartado «SUSTITUCIÓN DE LOS PASADORES DE SEGURIDAD» en este manual.
El botón de la luz LED no responde cuando se pulsa una vez.	<ul style="list-style-type: none"> ■ El proceso de autocomprobación interno provoca un ligero retardo en la respuesta de la primera pulsación. 	<ul style="list-style-type: none"> ■ Mantenga pulsado el botón de la luz LED durante 1 segundo.
El indicador LED en la batería sigue encendido después de que la barrena del soplador de nieve se pare o el sistema de autopropulsión se apague.	<ul style="list-style-type: none"> ■ El circuito eléctrico está en espera para el próximo arranque. El LED se apagará automáticamente si el soplador de nieve no se utiliza durante 5 a 10 minutos. 	<ul style="list-style-type: none"> ■ Déjelo, o saque las baterías del compartimento de las baterías.

GARANTÍA

Visite la página web egopowerplus.eu para conocer los términos y condiciones completos de la política de garantía de EGO.

LEIA TODAS AS INSTRUÇÕES!

Utilização prevista: Retirar neve de áreas como passeios e calçadas.

PT

⚠ AVISO: Certifique-se de que lê e compreende todos os avisos de segurança neste manual do utilizador, incluindo todos os símbolos de alerta de segurança, como "PERIGO", "AVISO" e "CUIDADO" antes de usar esta ferramenta. O não cumprimento de todas as instruções apresentadas abaixo pode resultar em choque elétrico, incêndio e/ou lesões pessoais graves.

⚠ AVISO: O funcionamento de qualquer ferramenta elétrica pode dar origem ao ressalto de quaisquer objetos estranhos que podem atingir os olhos, podendo dar origem a sérias lesões oculares. Antes de começar a utilizar a ferramenta elétrica, utilize sempre óculos de segurança com proteções laterais e uma proteção completa para o rosto, quando necessário. Recomendamos a utilização de máscaras de segurança com visão panorâmica por cima dos óculos ou óculos de segurança padrão com proteção lateral.

SÍMBOLOS DE SEGURANÇA



Alerta de segurança



Para reduzir o risco de lesões, o utilizador tem de ler e compreender o manual do utilizador antes de utilizar este produto.



Mantenha os pés e mãos afastados.



Utilize sempre óculos de segurança com proteção lateral e, se necessário, uma proteção completa do rosto, quando utilizar este produto.



CUIDADO: Não olhe para a luz de funcionamento.



PERIGO - desligue o motor antes de desbloquear a saída de descarga. Para reduzir o risco de cortes, mantenha as mãos e pés afastados das partes rotativas. Os bloqueios só deverão ser desobstruídos após desligar o motor e nunca com as mãos.



Mantenha os pés afastados do rotor.



Os resíduos elétricos não deverão ser eliminados juntamente com o lixo doméstico comum. Entregue-os num centro de reciclagem autorizado.



Nível de potência do som garantido. De acordo com a diretiva da Comunidade Europeia.



Este produto encontra-se em conformidade com as diretivas CE aplicáveis.



Corrente direta



Este produto está em conformidade com a legislação aplicável do Reino Unido.

kg

Quilograma

V

Volts

IPX4

Proteção contra jatos de água

CARACTERÍSTICAS TÉCNICAS

Voltagem	56 V	
Largura de libertação	61 cm	
Altura de entrada	51 cm	
Distância de lançamento	13 m	
Tamanho da roda	38 cm	
Peso	68 kg	
Temperatura de funcionamento recomendada	-20°C a 10°C	
Temperatura de armazenamento recomendada	-20°C a 70°C	
Nível de potência do som medido L_{WA}	96,61 dB(A) K=1,6 dB(A)	
Nível da pressão do som no ouvido do operador L_{PA}	82,5 dB(A) K=4 dB(A)	
Nível de potência acústica garantido L_{WA} (medido de acordo com 2000/14/CE)	98 dB(A)	
Avaliação da vibração a_{Hv} :	Pega esquerda	0,3 m/s ² K=1,5 m/s ²
	Pega direita	0,4 m/s ² K=1,5 m/s ²

DESCRIÇÃO

CONHEÇA O SEU SOPRADOR DE NEVE (Imagem A1 e A2)

1. Calha lateral
2. Cobertura da bateria
3. Compartimento da bateria
4. Rodas
5. Calço derrapante
6. Luzes LED
7. Base
8. Ferramenta de limpeza da saída
9. Saída de descarga da neve
10. Defletor da saída
11. Pega traseira
12. Luzes laterais LED
13. Gatilho do interruptor da broca
14. Pega principal
15. Alavanca de controlo de velocidade da broca
16. Botão de segurança

17. Alavanca de controlo de velocidade do autopropulsor
18. Gatilho do autopropulsor
19. Pega principal
20. Botão da luz LED
21. Indicador LED
22. Pega de rotação da saída
23. Pega do defletor da saída
24. Broca
25. Barra raspadora
26. Botão de libertação da bateria
27. Contactos elétricos

LISTA DE PEÇAS (IMAGEM A3)

MONTAGEM

MONTAR/DESMONTAR A RODA

1. Coloque o soprador de neve de acordo com a Imagem B para uma montagem mais fácil.
2. Retire a junta exterior e a cavilha de fixação da roda do eixo.
3. Monte a roda e a junta exterior. Fixe com a cavilha de fixação da roda.

Aviso: Verifique a roda antes da instalação, para se certificar de que a seta da roda está virada para a frente (Imagem B).

B-1	Junta exterior	B-2	Cavilha de fixação da roda
-----	----------------	-----	----------------------------

INSTALAR O CONJUNTO DA PEGA

AVISO: O conjunto da pega tem de ser montado antes de usar o soprador de neve (Imagem C1).

C-1	Manípulo de fixação	C-2	Conjunto da pega
-----	---------------------	-----	------------------

Desaperte os quatro manípulos de fixação e puxe os parafusos para fora. Guarde-os para os voltar a montar.

Escolha uma posição de funcionamento confortável de acordo com a sua altura (Imagem C2). O conjunto da pega pode ser colocado em três alturas diferentes. (Imagem C3 e Imagem C4 e Imagem C5)

Posição de funcionamento superior, conforme a Imagem C3

Posição de funcionamento intermédia, conforme a Imagem C4

Posição de funcionamento inferior, conforme a Imagem C5

INSTALAR O CONJUNTO DE SAÍDA DE DESCARGA DA NEVE

⚠️ AVISO: Nunca opere o soprador de neve sem a saída de descarga completa montada.

PT

1. Desaperte o manípulo na haste de suporte interior e retire o parafuso (Imagem D1). Guarde o manípulo e o parafuso para nova montagem.

D-1	Saída de descarga da neve	D-2	Haste de suporte exterior
D-3	Manípulo	D-4	Haste de suporte interior
D-5	Base	D-6	Parafuso

2. Levante o conjunto de saída de descarga da neve, alinhe a haste de suporte exterior com a haste de suporte interior para fazer deslizar a haste de suporte exterior para o lugar. Certifique-se de que a saída de descarga da neve assenta na base (Imagem D2).
3. Fixe o conjunto de saída de descarga da neve com o manípulo e o parafuso que guardou anteriormente.
4. Com o regulador interno do fio, pode alterar a força do movimento da pega de rotação de saída, pode reduzir a força rodando o regulador interno do fio ligeiramente no sentido inverso ao dos ponteiros do relógio (Imagem D2). Por outro lado, a força aumenta se rodar na direção oposta. Tenha em conta que a saída de descarga da neve desliza para a esquerda/direita durante a utilização se estiver demasiado solta.

FUNCIONAMENTO

FIXAR E RETIRAR A BATERIA

CARREGUE ANTES DA PRIMEIRA UTILIZAÇÃO.

Use apenas com baterias e carregadores listados na Imagem A4.

NOTA: Para um melhor desempenho, recomendamos a utilização de duas baterias de lítio 5.0 Ah EGO de 56V ou com duas baterias de lítio EGO de 56V com uma capacidade superior.

Quando não a usar, a bateria de 56V deverá ser guardada numa área fechada onde a temperatura não desça abaixo dos -20°C. As temperaturas de carregamento ótimas encontram-se entre os 5°C e os 40°C.

Para fixar

Empurre a bateria para o compartimento da bateria até ouvir um "clique!". (IMAGEM E1)

38

Para retirar

Prima o botão de libertação da bateria no compartimento da bateria. (IMAGEM E2)

AVISO: Certifique-se de que o trinco no soprador de neve encaixa no respetivo lugar, e que a bateria também fica fixa na unidade antes de começar a utilização.

LIGAR/DESLIGAR O SOPRADOR DE NEVE

⚠️ CUIDADO: Não tente anular o funcionamento do botão de segurança.

⚠️ AVISO: Certifique-se de que outras pessoas e animais permanecem a, pelo menos, 30m do soprador de neve durante a utilização.

⚠️ AVISO: A broca continua a rodar durante alguns segundos após o soprador de neve ser desligado. Deixe a broca parar de rodar antes de voltar a ligar.

AVISO: Não ligue e desligue rapidamente o soprador de neve.

Para ligar o soprador de neve

1. Certifique-se de que o conjunto da lâmina fica bem ajustado com a altura adequada, que o conjunto da saída de descarga lateral está devidamente montado, que a saída e o defletor da saída estão ajustados numa posição adequada.
2. Insira a bateria no soprador de neve e feche a tampa do compartimento da bateria.
3. Prima e mantenha premido durante um segundo o botão de segurança (A-16) e o indicador LED (A-21) começa a piscar a verde. Prima o gatilho do interruptor da broca (A-13) para ligar o soprador de neve enquanto o indicador LED pisca.

AVISO: O soprador de neve pode ser ligado com o gatilho do interruptor da broca apenas quando o indicador LED pisca.

AVISO: O soprador de neve pode não funcionar corretamente se a temperatura da bateria for inferior a -20 °C. Se o soprador de neve não começar a funcionar, retire a bateria do soprador de neve e deixe-a aquecer no interior durante mais de 10 minutos. Volte a colocar a bateria e tente de novo.

Para desligar o soprador de neve

Liberte por completo o interruptor do interruptor da broca.

NOTA: O travão elétrico do mecanismo de travagem automática pára a rotação da broca no espaço de 3 segundos após libertar o interruptor da broca.

Sistema de velocidade variável da broca

A velocidade da broca pode ser ajustada para controlar a distância de lançamento.

Para aumentar/diminuir a velocidade, pressione a alavanca de controlo da velocidade da broca (A-15) para a frente/trás.

Sistema autopropulsor de velocidade variável

Este soprador de neve está equipado com capacidade de autopropulsor de velocidade variável. É independente da rotação da broca.

Para colocar em funcionamento o sistema autopropulsor sem rotação da broca, pressione o gatilho autopropulsor (A-18) para a pega. Para aumentar a velocidade, mova a alavanca de controlo de velocidade do autopropulsor (A-17) para a frente. Para diminuir a velocidade, mova a alavanca de controlo de velocidade do autopropulsor para trás.

Para desligar a função autopropulsora, liberte o gatilho do autopropulsor.

Para fazer o soprador de neve retroceder, primeiro pare a função autopropulsora, puxe a alavanca de controlo de velocidade do autopropulsor para MARCHA-ATRÁS e pressione o gatilho do autopropulsor.

AVISO: A velocidade é fixa quando utilizar o soprador de neve em marcha-atrás com autopropulsor. A alavanca de controlo da velocidade não muda a velocidade em marcha-atrás.

AVISO: O soprador de neve não pode ser posto em marcha-atrás enquanto a função autopropulsora estiver a fazê-lo avançar.

GATILHO DO INTERRUPTOR DA BROCA E ELO DO GATILHO AUTOPROPULSOR

Quando o gatilho autopropulsor (A-18) e o gatilho do interruptor da broca (A-13) forem pressionados em simultâneo e depois libertar o interruptor do gatilho da broca (mão direita), o gatilho do interruptor da broca permanece ativado. Esta funcionalidade permite-lhe ajustar a velocidade da broca, velocidade autopropulsora e direção de descarga da neve enquanto a broca roda.

Para parar a broca, liberte o gatilho autopropulsor. Tanto a broca como a função autopropulsora deixam de funcionar.

AJUSTE DA SAÍDA E DEFLETOR

A saída pode ser ajustada para alterar tanto a direção como a distância da neve descarregada para o ajudar a afastar a neve de uma área e para a colocar noutra.

A direção da remoção da neve pode ser ajustada até 100° para a esquerda e 100° para a direita.

Puxe a pega de rotação da saída (A-22) para a esquerda/direita para rodar a saída para o respetivo lado.

A distância de lançamento do soprador de neve é ajustada movendo o defletor de saída para cima ou para baixo.

Para aumentar ou diminuir a distância a que a neve é atirada, puxe a pega do defletor da saída (A-23) para trás ou para a frente para subir ou descer o defletor da saída (A-10). Quando atingir a posição desejada do defletor da saída, coloque a pega do defletor da saída na ranhura de fixação (F-1) (Imagem F).

FUNCIONAMENTO DAS LUZES LATERAIS LED (A-12) E FOCOS (A-6)

Prima o botão da luz LED uma vez para ligar as luzes laterais e focos.

Prima duas vezes o botão da luz LED para desligar as luzes laterais.

Prima três vezes o botão da luz LED para desligar todas as luzes.

AVISO: Todas as luzes LED se desligam automaticamente se o soprador de neve não for utilizado durante 5 minutos.

INDICADOR LED (A-21) NO SOPRADOR DE NEVE

O soprador de neve vem equipado com um indicador LED para indicar o estado de carregamento da bateria e o estado de funcionamento do soprador de neve.

INDICADOR LED	Significado	Ação
Verde brilhante	O soprador de neve está a funcionar corretamente; a bateria tem, pelo menos, 15% da carga.	n/a.
Vermelho a piscar	A bateria está quase gasta.	Pare o soprador de neve e recarregue a bateria.
Vermelho e verde a piscar alternadamente	Erro	Contacte o centro de apoio ao cliente da EGO.

Cor-de-laranja brilhante	O soprador de neve pára devido ao sobreaquecimento.	Retire a bateria do soprador de neve, leve-a para a sombra e deixe arrefecer durante, pelo menos, 15 minutos.
Cor-de-laranja a piscar	O soprador de neve está sobrecarregado.	Primeiro, retire a bateria, depois verifique e limpe a base, caso tenha neve por baixo. Abrande o seu ritmo quando mover neve. Se isto não funcionar, contacte o centro de apoio ao cliente da EGO.
Desligado e LED na bateria a piscar	Sobreaquecimento da bateria. (Consulte a secção "PROTEÇÃO CONTRA A ALTA TEMPERATURA DA BATERIA" neste manual)	Liberte a bateria do soprador de neve e espere que a bateria arrefeça até cerca de 67 °C, depois volte a colocar a bateria e a ligar o soprador de neve.

PROTEÇÃO CONTRA SOBRECARGAS DO SOPRADOR DE NEVE

O seu soprador de neve tem elementos incorporados de análise de sobrecarga. Quando o soprador de neve estiver sobrecarregado, o motor diminui automaticamente a velocidade e ouvirá o volume do motor a diminuir. Abrande o seu ritmo ou estreite a largura de libertação e a velocidade do motor volta automaticamente ao normal. Se esta solução não resolver a situação da sobrecarga, o sensor desliga automaticamente o motor e o indicador LED no soprador de neve pisca a cor-de-laranja. Retire a bateria do soprador de neve, espere 10 segundos e verifique se existe neve ou gelo preso na broca e base. Se necessário, siga as instruções de "Limpar uma saída obstruída". Volte a colocar as baterias e reinicie o soprador de neve.

LIMPAR UMA SAÍDA OBSTRUÍDA

AVISO: Use sempre a ferramenta de limpeza da saída (A-8), fixada na máquina como acessório. Não use as mãos.

PROTEÇÃO CONTRA A ALTA TEMPERATURA DA BATERIA

A bateria gera calor durante o funcionamento. O calor dissipa-se mais lentamente com tempo quente. Se

a temperatura da bateria exceder os 70 °C durante o funcionamento, o circuito de proteção desliga imediatamente o soprador de neve para proteger a bateria de danos de calor. O indicador do estado do soprador de neve desliga-se. Para mais detalhes quanto ao LED na bateria, consulte a secção "PROTEÇÃO DA BATERIA" no manual do operador da bateria. Liberte o interruptor, espere que a bateria arrefeça até cerca de 67 °C, depois volte a ligar o soprador de neve.

DICAS DE FUNCIONAMENTO

PERIGO: Nunca use um soprador de neve em lagos e rios gelados, ou outras superfícies semelhantes. Pode ocorrer morte ou lesões sérias se o gelo partir.

PERIGO: Nunca use o soprador de neve num telhado ou outras superfícies instáveis, pois isso pode dar origem a morte ou lesões pessoais sérias.

AVISO: Não use o soprador de neve no gelo, pois o operador pode escorregar e cair, dando origem a possíveis lesões pessoais sérias.

AVISO: Não utilize roupa larga, cachecóis ou jóias. Estes podem ficar presos nas peças móveis e causar morte ou lesões pessoais sérias.

AVISO: Mantenha as descargas da neve apontadas para longe de dispositivos elétricos para reduzir o risco de eletrocussão ou choque elétrico.

AVISO: Nunca aponte o soprador de neve ou saída de descarga na direção de pessoas ou animais. Neve ou objetos projetados podem causar ferimentos pessoais graves.

AVISO: Certifique-se de que a área a ser limpa não tem pedras, paus, arames, brita ou outros objetos que possam ser acidentalmente atirados pelo soprador de neve em qualquer direção e causar lesões pessoais sérias ao operador e outras pessoas.

- Se a unidade entrar em contacto com qualquer tipo de obstrução ou lixo durante a utilização, pare o soprador de neve, retire a bateria, retire a obstrução e inspecione a unidade cuidadosamente quanto a danos antes de continuar.

⚠ AVISO: Nunca se aproxime da saída de descarga nem coloque nenhuma parte do corpo à frente do soprador de neve quando a unidade estiver a funcionar ou quando a bateria estiver instalada. Certifique-se sempre de que todas as peças móveis pararam e que a bateria foi retirada antes de limpar quaisquer obstruções. O não seguimento destas instruções pode dar origem a lesões corporais sérias.

- Tenha em conta a direção do vento antes de começar. Sempre que possível, efetue a descarga da neve na direção do vento, para evitar que a neve seja atirada contra a sua cara.
- Algumas partes do soprador de neve podem congelar em condições meteorológicas extremas. Não tente operar a unidade com partes congeladas.
- Quando terminar, deixe o motor funcionar durante mais alguns minutos, para evitar que as peças móveis congelem, depois rode várias vezes a pega de rotação da saída para a frente e para trás para libertar quaisquer acumulações de gelo. Certifique-se de que limpa a neve e o gelo da base da saída.
- Se estiver frio e a nevar, alguns controlos e peças móveis podem congelar. Não use força excessiva quando tentar operar os controlos congelados. Se tiver dificuldades em operar qualquer controlo ou peça, ligue a máquina conforme indicado em “LIGAR/PARAR O SOPRADOR DE NEVE” e deixe-a funcionar durante alguns minutos.

MANUTENÇÃO

MANUTENÇÃO GERAL

Evite usar solventes quando limpar peças de plástico. Grande parte dos plásticos é suscetível a danos devido a vários tipos de solventes comerciais. Use panos limpos para retirar a sujidade, pó, óleo, gordura, etc.

LUBRIFICAR A MÁQUINA

Todos os rolamentos neste produto são lubrificados com uma quantidade suficiente de lubrificante de alta qualidade para o tempo de vida da unidade em condições normais de funcionamento. Assim, não é necessária qualquer lubrificação dos rolamentos.

SUBSTITUIR E AJUSTAR OS CALÇOS DERRAPANTES

1. Retire as baterias.
2. Desaperte e retire as porcas, juntas e o calço derrapante dos parafusos (Imagem G1).

3. Se necessário, substitua o calço derrapante por um novo.
4. A altura dos calços derrapantes pode ser ajustada de acordo com as condições da neve, sem que tenha de retirar as porcas por completo. Basta desapertá-las, ajustar a posição do calço derrapante e depois voltar a apertar (Imagem G2).

SUBSTITUIR O PINO DE CISALHAMENTO

Os pinos de cisalhamento encontram-se no eixo da broca (Imagem H1). Eles ajudam a absorver o binário instantâneo quando a broca bate em obstáculos durante o funcionamento, e protegem a caixa dos carretos e o motor de danos.

H-1	Eixo da broca	H-2	Pino de cisalhamento
-----	---------------	-----	----------------------

Para substituir os pinos de cisalhamento, retire as baterias, retire o pino partido do eixo da broca e substitua com parafusos novos.

AVISO: Existem mais dois pinos de cisalhamento no conjunto da saída. Substitua pelo novo, caso o original esteja partido. (IMAGEM H2)

GUARDAR O SOPRADOR DE NEVE

⚠ CUIDADO: Certifique-se de que toda a neve derretida que pinga do soprador de neve é devidamente limpa, para evitar escorregar ou cair.

- Retire a bateria e guarde-a num local seguro, fora do alcance das crianças.

Antes de a guardar, limpe a humidade, sujidade ou lixo da área da bateria.

- Limpe o soprador de neve com um pano limpo e seco.
- Verifique o aperto de todas as porcas, parafusos, manípulos, etc.
- Inspeccione as peças móveis quanto a danos, quebras e desgaste. Todas as peças danificadas ou em falta têm de ser reparadas.
- Guarde o soprador de neve num local limpo, seco e fechado, fora do alcance das crianças.
- Não guarde perto de materiais corrosivos, como fertilizante ou sal grosso.

Proteção do ambiente



PT

Não elimine aparelhos elétricos juntamente com o lixo doméstico comum. Utilize sistemas de recolha em separado para este tipo de produtos.

Contacte as autoridades locais para se informar quanto aos sistemas de recolha disponíveis.

Se os equipamentos elétricos forem eliminados em aterros ou lixeiras, substâncias perigosas podem vazarem para os lençóis freáticos e entrar na cadeia de alimentação, danificando a sua saúde e bem-estar.

RESOLUÇÃO DE PROBLEMAS

⚠️ AVISO: Retire sempre a bateria quando reparar ou transportar o soprador de neve. Proteja sempre as mãos usando luvas resistentes quando efetuar qualquer manutenção na broca ou raspador do soprador de neve.

PROBLEMA	CAUSA	SOLUÇÃO
O soprador de neve não começa a funcionar.	<ul style="list-style-type: none"> ■ A bateria tem pouca carga. ■ O gatilho do interruptor da broca não estava premido na altura em que o indicador LED piscou a verde. ■ A broca está congelada devido à neve ou gelo. ■ A bateria sobreaqueceu. O indicador LED na bateria pisca a cor-de-laranja ou permanece ligado a vermelho (consulte a secção “PROTEÇÃO CONTRA A ALTA TEMPERATURA DA BATERIA” neste manual). 	<ul style="list-style-type: none"> ■ Carregue a bateria. ■ Prima o gatilho do interruptor da broca quando o indicador LED pisca. Se o indicador LED parar de piscar, o soprador de neve não responde ao premir o gatilho do interruptor da broca. ■ Retire primeiro a bateria, use a ferramenta de limpeza da saída, fornecida, para limpar a neve ou gelo que obstrua a broca. Reinicie o soprador de neve. ■ Liberte a bateria sobreaquecida do soprador de neve e espere que a bateria arrefeça até cerca de 67 °C, depois volte a colocar a bateria e a ligar o soprador de neve.
O motor está ligado, mas a broca não gira.	<ul style="list-style-type: none"> ■ O pino de cisalhamento está partido. 	<ul style="list-style-type: none"> ■ Substitua o pino de cisalhamento de acordo com a secção “SUBSTITUIR O PINO DE CISALHAMENTO”.
O botão da luz LED não reage à primeira pressão.	<ul style="list-style-type: none"> ■ O processo de autoverificação interna causa um ligeiro atraso na resposta da primeira pressão. 	<ul style="list-style-type: none"> ■ Prima o botão da luz LED durante 1 segundo.
O indicador LED na bateria permanece ligado após a broca do soprador de neve parar de funcionar, ou quando o sistema autopropulsor é desligado.	<ul style="list-style-type: none"> ■ O circuito elétrico está no estado inativo para o próximo reinício. O LED desliga-se automaticamente se o soprador de neve não for utilizado no espaço de 5 a 10 minutos. 	<ul style="list-style-type: none"> ■ Deixe estar, ou retire as baterias do compartimento da bateria.

PT

GARANTIA

Visite o website egopowerplus.eu para os termos e condições completos da política de garantia da EGO.

LEGGERE TUTTE LE ISTRUZIONI!

Destinazione d'uso: Rimozione di neve da aree come vialetti e marciapiedi.

AVVERTENZA! Accertarsi di aver letto e compreso tutte le istruzioni di sicurezza in questo manuale, inclusi tutti i simboli di avvertenza come "**PERICOLO**", "**AVVERTENZA**" e "**ATTENZIONE**", prima di usare questo apparecchio. Il mancato rispetto di tutte le istruzioni elencate di seguito comporta il rischio di scossa elettrica, incendio e/o lesioni gravi.

IT

AVVERTENZA! L'uso di apparecchi elettrici può causare il lancio di oggetti estranei verso l'operatore, con il rischio di lesioni gravi agli occhi. Durante l'uso dell'apparecchio, indossare sempre occhiali protettivi o occhiali di sicurezza con protezioni laterali e, se necessario, una maschera facciale. Si raccomanda di indossare una maschera di sicurezza con ampio campo visivo sopra gli occhiali o occhiali di sicurezza standard con protezioni laterali.

SIMBOLI DI SICUREZZA

Avvertenza di sicurezza



Per ridurre il rischio di infortunio, l'utente deve leggere e comprendere tutte le istruzioni prima di usare questo prodotto.



Tenere mani e piedi a distanza.



Durante l'uso del prodotto, indossare sempre occhiali protettivi o occhiali di sicurezza con protezioni laterali e una maschera facciale.



ATTENZIONE! Non fissare la fonte luminosa.



PERICOLO! Spegnerne il motore prima di liberare lo scivolo di scarico. Per ridurre il rischio di lesioni, tenere mani e piedi lontani dalle parti rotanti. Rimuovere eventuali ostruzioni esclusivamente dopo lo spegnimento del motore, e mai a mano.



Tenere i piedi lontani dal rotore.



I prodotti elettrici non devono essere smaltiti insieme ai rifiuti domestici. Portarli presso un centro di riciclaggio autorizzato.



Livello di potenza sonora garantito ai sensi della direttiva dell'Unione europea.



Questo prodotto è conforme alle direttive europee applicabili.



Corrente continua



Questo prodotto è conforme alla legislazione britannica pertinente.

kg

Chilogrammo

V

Volt

IPX4 Protezione contro i getti d'acqua

SPECIFICHE TECNICHE

Tensione	56 V	
Larghezza di rimozione	61 cm	
Altezza di raccolta	51 cm	
Distanza di lancio	13 m	
Dimensioni ruota	38 cm	
Peso	68 kg	
Temperatura di funzionamento raccomandata	Da -20°C a 10°C	
Temperatura di conservazione raccomandata	Da -20°C a 70°C	
Livello di potenza sonora misurato L_{WA}	96,61 dB(A) K=1,6 dB(A)	
Livello di pressione sonora a livello dell'orecchio dell'operatore L_{PA}	82,5 dB(A) K=4 dB(A)	
Livello di potenza sonora garantito L_{WA} (misurato conformemente a 2000/14/EC)	98 dB(A)	
Valore di vibrazioni a_h	Impugnatura sinistra	0,3 m/s ² K=1,5 m/s ²
	Impugnatura destra	0,4 m/s ² K=1,5 m/s ²

DESCRIZIONE

DESCRIZIONE DELLO SGOMBRANEVE (Fig. A1 e A2)

1. Binario laterale
2. Coperchio vano batteria
3. Vano batteria
4. Ruote
5. Pattino
6. Fanali LED
7. Unità principale
8. Utensile di pulizia dello scivolo
9. Scivolo di scarico della neve
10. Deflettore dello scarico
11. Impugnatura posteriore
12. Luci LED laterali
13. Interruttore della coclea
14. Impugnatura principale

15. Leva di controllo della velocità della coclea
16. Pulsante di sicurezza
17. Leva di controllo della velocità di avanzamento automatico
18. Interruttore di avanzamento automatico
19. Impugnatura principale
20. Interruttore delle luci LED
21. Indicatore luminoso
22. Leva di regolazione dello scarico
23. Leva di regolazione del deflettore
24. Coclea
25. Raschietto a barra
26. Pulsante di rilascio della batteria
27. Contatti elettrici

CONTENUTO DELL'IMBALLAGGIO (FIG. A3)

ASSEMBLAGGIO

INSTALLAZIONE/RIMOZIONE DELLA RUOTA

1. Posizionare lo sgombraneve come illustrato in figura. B per facilitare l'installazione.
2. Rimuovere la rondella esterna e la coppia della ruota dall'asse.
3. Assemblare la ruota e la rondella esterna. Bloccarle con la coppia della ruota.

Attenzione! Prima di installare la ruota, verificare che la freccia sulla ruota sia orientata in avanti (Fig. B).

B-1	Rondella esterna	B-2	Coppia della ruota
-----	------------------	-----	--------------------

INSTALLAZIONE DEL MANUBRIO

NOTA: prima di usare lo sgombraneve è necessario assemblare il manubrio (Fig. C1).

C-1	Manopola di bloccaggio	C-2	Manubrio
-----	------------------------	-----	----------

Allentare le quattro manopole di bloccaggio e rimuovere i bulloni. Conservarli per il riassetto.

Scegliere la posizione operativa più confortevole in base alla propria altezza (Fig. C2). Il manubrio può essere impostato a tre diverse altezze (Fig. C3, Fig. C4 e Fig. C5).

Fig. C3: posizione operativa superiore

Fig. C4: Posizione operativa intermedia

Fig. C5: posizione operativa inferiore

INSTALLAZIONE DELLO SCIVOLO DI SCARICO DELLA NEVE

⚠️ AVVERTENZA! Non usare l'apparecchio se lo scivolo di scarico non è assemblato completamente.

1. Allentare la manopola sull'asta di supporto interna e rimuovere il bullone (Fig. D1). Conservare la manopola e il bullone per il riassettaggio.

D-1	Scivolo di scarico della neve	D-2	Asta di supporto esterna
D-3	Manopola	D-4	Asta di supporto interna
D-5	Base	D-6	Bullone

2. Sollevare lo scivolo di scarico della neve e inserire l'asta di supporto esterna dentro l'asta di supporto interna. Assicurarsi che lo scivolo di scarico della neve sia a contatto con la base (Fig. D2).
3. Quindi fissare lo scivolo di scarico della neve con la manopola e il bullone rimossi in precedenza.
4. Il tendicavo permette di modificare la resistenza della leva di regolazione dello scarico. Ruotare il tendicavo in senso antiorario per ridurre la resistenza (Fig. D2). Ruotarlo in senso orario per aumentare la resistenza. Nota: se la resistenza della leva di regolazione dello scarico è troppo bassa, lo scivolo di scarico della neve potrebbe oscillare lateralmente durante l'uso.

UTILIZZO

INSTALLAZIONE/RIMOZIONE DEL GRUPPO BATTERIA

RICARICARE PRIMA DEL PRIMO UTILIZZO.

Usare l'apparecchio esclusivamente con i gruppi batteria e i caricabatteria elencati in Fig. A4.

NOTA: per le migliori prestazioni, si raccomanda di usare l'apparecchio con due batterie EGO Arc Lithium 56 V 5,0 Ah o con due batterie EGO Arc Lithium 56 V di capacità superiore.

Quando non sono in uso, i gruppi batteria da 56 V devono essere conservati in un luogo al chiuso in cui la temperatura non scende sotto i -20°C. La temperatura di conservazione ideale è compresa tra 5°C e 40°C.

Installazione

Spingere il gruppo batteria nel vano batteria fino a udire un "clic" (Fig. E1).

Rimozione

Premere il pulsante di rilascio della batteria nel vano batteria (Fig. E2).

NOTA: accertarsi che il dispositivo di chiusura sullo sgombraneve si incastri in posizione e che il gruppo batteria sia fissato allo sgombraneve prima di iniziare il lavoro.

AVVIO/ARRESTO DELLO SGOMBRANEVE

⚠️ ATTENZIONE! Non tentare di disabilitare il funzionamento del pulsante di sicurezza.

⚠️ AVVERTENZA! Assicurarsi che eventuali altre persone e animali rimangano ad almeno 30 m di distanza dallo sgombraneve quando è in funzione.

⚠️ AVVERTENZA! La coclea continua a ruotare per qualche secondo dopo lo spegnimento dello sgombraneve. Attendere che la coclea si arresti prima di riavviarlo.

NOTA: non avviare e arrestare lo sgombraneve in rapida successione.

Avviamento dello sgombraneve

1. Assicurarsi che il manubrio sia regolato all'altezza appropriata e che lo scivolo di scarico della neve e il deflettore siano installati e posizionati correttamente.
2. Inserire il gruppo batteria nello sgombraneve e chiudere il coperchio del vano batteria.
3. Tenere premuto il pulsante di sicurezza (A-16) per 1 secondo: l'indicatore luminoso (A-21) lampeggerà di verde. Premere l'interruttore della coclea (A-13) per avviare lo sgombraneve mentre l'indicatore luminoso lampeggia.

NOTA: lo sgombraneve può essere avviato con l'interruttore della coclea esclusivamente quando l'indicatore luminoso lampeggia.

NOTA: lo sgombraneve potrebbe non avviarsi correttamente se la temperatura della batteria è inferiore a -20°C. Se lo sgombraneve non si avvia, rimuovere la batteria e lasciare che si riscaldi in un ambiente chiuso per almeno 10 minuti. Reinserrire la batteria e riprovare.

Arresto dello sgombraneve

Rilasciare completamente l'interruttore della coclea.

NOTA: il freno elettrico del meccanismo di freno automatico arresterà la rotazione della coclea entro 3 secondi dal rilascio dell'interruttore della coclea.

Regolazione della velocità della coclea

La velocità della coclea può essere regolata per controllare la distanza di scarico della neve.

Per aumentare/diminuire la velocità, spostare la leva di controllo della velocità della coclea (A-15) in avanti/all'indietro.

Regolazione della velocità di avanzamento automatico

Questo sgombraneve è dotato di un sistema di avanzamento automatico a velocità variabile. È indipendente dalla rotazione della coclea.

Per usare il sistema di avanzamento automatico senza la rotazione della coclea, premere l'interruttore di avanzamento automatico (A-18) verso l'impugnatura. Per aumentare la velocità, spostare la leva di controllo della velocità di avanzamento automatico (A-17) in avanti. Per diminuire la velocità, spostare la leva di controllo della velocità di avanzamento automatico all'indietro.

Per disattivare il sistema di avanzamento automatico, rilasciare l'interruttore di avanzamento automatico.

Per guidare lo sgombraneve in retromarcia, per prima cosa arrestare il sistema di avanzamento automatico; quindi portare la leva di controllo della velocità di avanzamento automatico in posizione REVERSE, quindi premere l'interruttore di avanzamento automatico.

NOTA: quando lo sgombraneve si muove in retromarcia, la velocità di avanzamento automatica è fissa; non è possibile regolare la velocità in retromarcia.

NOTA: non è possibile attivare la retromarcia quando lo sgombraneve sta avanzando con il sistema di avanzamento automatico.

FUNZIONAMENTO CONTINUATIVO DELLA COCLEA

Per bloccare l'interruttore della coclea in posizione, premere simultaneamente l'interruttore di avanzamento automatico (A-18) e l'interruttore della coclea (A-13), quindi rilasciare l'interruttore della coclea (impugnatura destra). Questa funzione permette di regolare la velocità della coclea, la velocità di avanzamento automatico e la direzione di scarico della neve mentre la coclea è in rotazione.

Per arrestare la coclea, rilasciare l'interruttore di avanzamento automatico; la coclea e il sistema di avanzamento automatico si arresteranno.

REGOLAZIONE DELLO SCIVOLO E DEL DEFLETTORE

Lo scivolo può essere regolato per modificare la direzione e la distanza di lancio della neve. È quindi possibile scegliere con precisione l'area di scarico della neve rimossa.

La direzione di lancio della neve può essere regolata fino a 100° a sinistra e fino a 100° a destra.

Portare la leva di regolazione dello scarico (A-22) verso destra/sinistra per ruotare lo scivolo verso destra/sinistra.

La distanza di lancio viene regolata spostando il deflettore dello scarico verso l'alto o verso il basso.

Per aumentare o diminuire la distanza di lancio della neve, portare la leva di regolazione del deflettore (A-23) all'indietro o in avanti per alzare o abbassare il deflettore dello scarico (A-10). Dopo aver regolato il deflettore dello scarico nella posizione desiderata, bloccare la leva di regolazione del deflettore nella scanalatura di bloccaggio (F-1) (Fig. F).

LUCI LED LATERALI (A-12) FANALI LED (A-6)

Premere una volta l'interruttore delle luci LED per accendere sia le luci laterali che i fanali.

Premere due volte l'interruttore delle luci LED per spegnere le luci laterali.

Premere tre volte l'interruttore delle luci LED per spegnere tutte le luci.

NOTA: tutte le luci LED si spegneranno automaticamente se lo sgombraneve viene lasciato inattivo per 5 minuti.

SIGNIFICATO DELL'INDICATORE LUMINOSO (A-21)

Lo sgombraneve è dotato di un indicatore luminoso che segnala il livello di carica del gruppo batteria e lo stato operativo dello sgombraneve.

INDICATORE LUMINOSO	Significato	Azione
Verde fisso	Lo sgombraneve funziona correttamente; la batteria è carica per almeno il 15%	n/a
Rosso lampeggiante	La batteria è quasi scarica.	Arrestare lo sgombraneve e ricaricare il gruppo batteria.
Rosso e verde lampeggianti alternativamente	Errore	Contattare il servizio clienti EGO.
Arancione fisso	Lo sgombraneve si è arrestato per surriscaldamento.	Rimuovere la batteria dallo sgombraneve, spostarla in un luogo all'ombra e lasciarla raffreddare per almeno 15 minuti.
Arancione lampeggiante	Lo sgombraneve è sovraccarico.	Rimuovere il gruppo batteria, quindi rimuovere l'eventuale accumulo di neve sulla parte posteriore dell'unità principale. Rallentare la velocità di avanzamento dello sgombraneve. Se il problema persiste, contattare il servizio clienti EGO.
Spento; l'indicatore sulla batteria lampeggia	Surriscaldamento della batteria (consultare la sezione "PROTEZIONE CONTRO IL SURRISCALDAMENTO DELLA BATTERIA" in questo manuale).	Rimuovere la batteria dallo sgombraneve, attendere che si raffreddi fino a raggiungere i 67°C circa, quindi reinserirla e riavviare lo sgombraneve.

PROTEZIONE CONTRO IL SOVRACCARICO

Questo sgombraneve è dotato di elementi sensibili al sovraccarico. Quando lo sgombraneve è sovraccarico, il motore rallenterà automaticamente e farà meno rumore.

Rallentare la velocità di avanzamento dello sgombraneve; il motore ritornerà automaticamente alla velocità normale. Se questa operazione non risolve il problema, il sensore arresterà automaticamente il motore, e l'indicatore luminoso sullo sgombraneve lampeggerà di arancione. Rimuovere il gruppo batteria dallo sgombraneve, attendere 10 secondi e controllare se nella coclea e nell'unità principale è presente un accumulo di neve o ghiaccio. Se necessario, seguire le istruzioni alla sezione "Ostruzione dello scivolo di scarico". Reinserire la batteria e riavviare lo sgombraneve.

OSTRUZIONE DELLO SCIVOLO DI SCARICO

⚠ AVVERTENZA! Usare esclusivamente l'utensile di pulizia dello scivolo (A-8) fornito insieme all'apparecchio; non usare le mani.

PROTEZIONE CONTRO IL SURRISCALDAMENTO DELLA BATTERIA

Il gruppo batteria genera calore quando lo sgombraneve è in funzione. Il calore si dissipa più lentamente in ambienti caldi. Se la temperatura della batteria supera i 70°C quando lo sgombraneve è in funzione, il circuito di protezione spegnerà immediatamente lo sgombraneve per evitare che il gruppo batteria subisca danni. L'indicatore di stato sullo sgombraneve si spegnerà; per informazioni sull'indicatore luminoso sulla batteria, consultare la sezione "PROTEZIONE DELLA BATTERIA" del manuale di istruzioni della batteria. Rilasciare l'interruttore di avanzamento automatico, attendere che la temperatura del gruppo batteria scenda fino a circa 67°C, quindi riavviare lo sgombraneve.

SUGGERIMENTI PER L'USO

⚠ PERICOLO! Non usare lo sgombraneve su laghi ghiacciati, fiumi ghiacciati o superfici similari. La rottura del ghiaccio comporta il rischio di lesioni gravi, anche mortali.

⚠ PERICOLO! Non usare lo sgombraneve su tetti o altre superfici instabili per evitare il rischio di lesioni gravi, anche mortali.

⚠ AVVERTENZA! Non usare lo sgombraneve sul ghiaccio per evitare che l'operatore scivoli e cada, con il rischio di lesioni gravi.

⚠ AVVERTENZA! Non indossare indumenti ampi, scarpe o gioielli perché possono rimanere impigliati nelle parti in movimento e causare lesioni gravi, anche mortali.

⚠ AVVERTENZA! Non dirigere lo scivolo di scarico della neve verso apparecchi elettrici per ridurre il rischio di folgorazione o scossa elettrica.

⚠ AVVERTENZA! Non dirigere lo sgombraneve o lo scivolo di scarico verso persone o animali. Il lancio di neve o altri oggetti può causare lesioni gravi.

⚠ AVVERTENZA! Assicurarsi che l'area di lavoro sia priva di pietre, rametti, cavi, ghiaia e altri oggetti che potrebbero venire lanciati accidentalmente dallo sgombraneve e causare lesioni gravi all'operatore o ad altre persone.

- Se l'apparecchio entra a contatto con detriti o oggetti estranei durante l'uso, arrestarlo, rimuovere il gruppo batteria, rimuovere l'ostruzione e ispezionare accuratamente l'apparecchio per verificare che non sia danneggiato.

⚠ AVVERTENZA! Non inserire le mani nello scivolo di scarico e non posizionare alcuna parte del corpo davanti allo sgombraneve mentre è in funzione o quando il gruppo batteria è installato. Assicurarsi che tutte le parti mobili si siano arrestate e che il gruppo batteria sia stato rimosso prima di rimuovere un'ostruzione. Il mancato rispetto di queste istruzioni comporta il rischio di lesioni gravi.

- Prestare attenzione alla direzione del vento prima di iniziare il lavoro. Se possibile, scaricare la neve nella stessa direzione del vento per evitare che la neve finisca negli occhi dell'operatore.
- Alcune parti dello sgombraneve possono ghiacciare in condizioni climatiche estreme. Non tentare di usare l'apparecchio se presenta parti ghiacciate.
- Al termine dell'uso, lasciare il motore in funzione per qualche minuto per evitare che le parti mobili si ghiaccino, quindi spostare la leva di regolazione dello scarico diverse volte a destra e a sinistra per rimuovere eventuali accumuli di ghiaccio. Assicurarsi di rimuovere qualsiasi residuo di neve e ghiaccio dalla base dello scivolo.
- In condizioni di neve e freddo intenso, alcuni dispositivi di controllo e parti mobili possono ghiacciare. Non applicare una pressione eccessiva per tentare di sbloccare i componenti ghiacciati. In caso di difficoltà durante l'uso dell'apparecchio, avviarlo come descritto alla sezione "AVVIO/ARRESTO DELLO SGOMBRANEVE" e lasciarlo in funzione per qualche minuto.

MANUTENZIONE

MANUTENZIONE GENERALE

Evitare l'uso di solventi durante la pulizia delle parti in plastica. La maggior parte dei materiali plastici può essere danneggiata da diversi tipi di solventi in commercio. Usare un panno pulito per rimuovere sporcizia, polvere, olio, grasso, ecc.

LUBRIFICAZIONE DELL'APPARECCHIO

Tutti i cuscinetti di questo prodotto sono lubrificati a vita, in condizioni d'uso normale. Non sono quindi necessarie ulteriori lubrificazioni.

SOSTITUZIONE E REGOLAZIONE DEI PATTINI

1. Rimuovere la batteria.
2. Allentare e rimuovere i dadi, le guarnizioni e i pattini dalle viti (Fig. G1).
3. Sostituire i pattini quando necessario.
4. L'altezza dei pattini può essere regolata in base alle condizioni della neve senza dover rimuovere i dadi: è sufficiente allentarli, regolare la posizione dei pattini e serrarli (Fig. G2).

SOSTITUZIONE DEI BULLONI A MOLLA

I bulloni a molla sono situati nell'asse della coclea (Fig. H1). Il loro compito è assorbire la coppia di stallo quando la coclea colpisce un ostacolo durante il funzionamento, per evitare che la scatola ingranaggi e il motore subiscano danni.

H-1	Asse della coclea	H-2	Bullone a molla
-----	-------------------	-----	-----------------

Per sostituire i bulloni a molla, rimuovere la batteria, rimuovere il bullone a molla dall'asse della coclea e sostituirlo.

NOTA: nello scivolo sono riposti due bulloni a molla aggiuntivi; usarli per sostituire gli originali in caso di danni (Fig. H2).

CONSERVAZIONE DELLO SGOMBRANEVE

⚠ ATTENZIONE! Assicurarsi di rimuovere i residui di neve sciolta per evitare il rischio di scivolamento e caduta.

- Rimuovere la batteria e riporla in un luogo sicuro fuori dalla portata dei bambini.

Prima di riporre lo sgombraneve, rimuovere umidità, sporcizia e detriti dall'area della batteria.

- Pulire lo sgombraneve con un panno asciutto.
- Controllare che tutte le viti, i bulloni, i dadi, le manopole, ecc. siano serrati correttamente.
- Controllare che le parti mobili non siano danneggiate o usurate. Fare riparare le eventuali parti danneggiate o mancanti.
- Riporre lo sgombraneve in un luogo asciutto, pulito, al chiuso e fuori dalla portata dei bambini.
- Non conservarlo in prossimità di sostanze corrosive, ad esempio fertilizzante o sale.

Protezione dell'ambiente



Non smaltire gli apparecchi elettrici insieme ai rifiuti indifferenziati, ma portarli presso gli appositi punti di raccolta.

Rivolgersi alle autorità locali per informazioni sui sistemi di raccolta disponibili.

Se gli apparecchi elettrici vengono smaltiti nelle discariche, le sostanze pericolose possono infiltrarsi nelle falde acquifere e contaminare la catena alimentare, con effetti dannosi sulla salute e il benessere.

IT

RISOLUZIONE DEI PROBLEMI

⚠ AVVERTENZA! Rimuovere sempre il gruppo batteria prima di riparare o trasportare lo sgombraneve. Proteggere sempre le mani indossando guanti robusti durante qualsiasi operazione di manutenzione sullo sgombraneve o sul raschietto.

PROBLEMA	CAUSA	SOLUZIONE
Lo sgombraneve non si avvia.	<ul style="list-style-type: none"> ■ La batteria è quasi scarica. ■ L'interruttore della coclea non è stato premuto quando l'indicatore luminoso lampeggia di verde. ■ La coclea è ostruita da ghiaccio o neve. ■ La batteria si è surriscaldata. L'indicatore luminoso sulla batteria lampeggia di arancione o si illumina di rosso (consultare la sezione "PROTEZIONE CONTRO IL SURRISCALDAMENTO DELLA BATTERIA" in questo manuale). 	<ul style="list-style-type: none"> ■ Ricaricare la batteria. ■ Premere l'interruttore della coclea quando l'indicatore luminoso lampeggia. Se l'indicatore luminoso smette di lampeggiare, lo sgombraneve non risponderà alla pressione dell'interruttore della coclea. ■ Rimuovere il gruppo batteria e usare l'utensile di pulizia dello scarico per rimuovere la neve o il ghiaccio dalla coclea. Riavviare lo sgombraneve. ■ Rimuovere la batteria surriscaldata dallo sgombraneve, attendere che si raffreddi fino a raggiungere i 67°C circa, quindi reinserirla e riavviare lo sgombraneve.
Il motore è acceso, ma la coclea non gira.	<ul style="list-style-type: none"> ■ Il bullone a molla è danneggiato. 	<ul style="list-style-type: none"> ■ Sostituire il bullone a molla come indicato alla sezione "SOSTITUZIONE DEI BULLONI A MOLLA" in questo manuale.
L'interruttore delle luci LED non funziona alla prima pressione.	<ul style="list-style-type: none"> ■ Il processo di autodiagnosi interna ha causato un breve ritardo alla prima pressione dell'interruttore. 	<ul style="list-style-type: none"> ■ Tenere premuto l'interruttore delle luci LED per 1 secondo.
L'indicatore luminoso sulla batteria rimane acceso dopo l'arresto della coclea o del sistema di avanzamento automatico.	<ul style="list-style-type: none"> ■ Il circuito elettrico è in standby per il successivo riavvio. L'indicatore luminoso si spegnerà automaticamente se lo sgombraneve viene lasciato inattivo per 5-10 minuti. 	<ul style="list-style-type: none"> ■ Non è necessario effettuare alcuna operazione. È possibile rimuovere la batteria.

IT

GARANZIA

Visitare il sito web egopowerplus.eu per consultare le condizioni complete della garanzia EGO.

LEES ALLE INSTRUCTIES!

Beoogd gebruik: Verwijderen van sneeuw van oppervlakken zoals opritten en trottoirs.

⚠ WAARSCHUWING: Lees en begrijp alle veiligheidsinstructies die in deze gebruiksaanwijzing staan vermeld, waaronder alle veiligheidssymbolen zoals “GEVAAR,” “WAARSCHUWING,” en “OPGELET” voordat u dit gereedschap in gebruik neemt. Het negeren van onderstaande instructies kan leiden tot een elektrische schok, brand en/of ernstig persoonlijk letsel.

NL

⚠ WAARSCHUWING: De werking van elektrisch gereedschap kan leiden tot het rondslingeren van vreemde objecten die in uw ogen kunnen terechtkomen. Dit kan leiden tot ernstig oogletsel. Wanneer u elektrisch gereedschap gebruikt, zorg er dan voor dat u altijd een veiligheidsbril (met zijschermen) of een gelaatsscherm draagt. We bevelen aan om een gelaatsscherm over uw bril of standaard veiligheidsbril met zijschermen te gebruiken.

VEILIGHEIDSSYMBOLEN



Veiligheidswaarschuwing



De gebruiker dient de gebruiksaanwijzing voor het gebruik van dit product te lezen en te begrijpen om risico op letsel te beperken.



Houd uw voeten en handen uit de buurt



Draag altijd een veiligheidsbril (met zijschermen) en een gelaatsscherm als u dit product gebruikt.



OPGELET: Kijk niet in de lamp.



GEVAAR - Schakel de motor uit voordat u een verstopping in de zijkoker verwijdert. Om het risico op letsel te verminderen, dient u handen en voeten uit de buurt van de draaiende onderdelen te houden. Verstoppingen mogen pas worden verwijderd nadat de motor is uitgeschakeld en dit mag nooit met de hand worden gedaan.



Houd de voeten uit de buurt van de waaijer



Gooi elektrisch afval niet via het huishoudelijk afval weg. Breng het naar een geautoriseerd recyclingbedrijf.



Gewaarborgd geluidsvermogensniveau. In overeenstemming met de richtlijnen van de Europese Unie.



Dit product is in overeenstemming met de geldende EG-richtlijn



Gelijkstroom



Dit product is in overeenstemming met de geldende wetgeving van het VK.

kg Kilogram

V Volt

IPX4 Bescherming tegen waterstralen

SPECIFICATIES

Spanning	56 V	
Reinigingsbreedte	61 cm	
Opnamehoogte	51 cm	
Worpafstand	13 m	
Wielmaat	38 cm	
Gewicht	68 kg	
Aanbevolen bedrijfstemperatuur	-20°C-10°C	
Aanbevolen opslagtemperatuur	-20°C-70°C	
Gemeten geluidsvermogensniveau L_{WA}	96,61 dB(A) K=1,6 dB(A)	
Geluidsdrukniveau bij het oor van de bediener L_{PA}	82,5 dB(A) K=4 dB(A)	
Gegarandeerd geluidsvermogensniveau L_{WA} (gemeten volgens 2000/14/EG)	98 dB(A)	
Inschatting van de vibratie a_h :	Linker handvat	0,3 m/s ² K=1,5 m/s ²
	Rechter handvat	0,4 m/s ² K=1,5 m/s ²

BESCHRIJVING

KEN UW SNEEUWBLAZER (afb. A1 & A2)

- Zijgeleider
- Afdekking accu
- Accuvak
- Wielen
- Glij schoen
- Led koplampen
- Dek
- Reinigingsgereedschap koker
- Sneeuw koker
- Koker deflector
- Achterste handgreep
- Led zijlampen
- Boor-trekkerschakelaar
- Primaire handgreep
- Bedienhendel voor de snelheid van de boor
- Veiligheidsknop
- Bedienhendel voor de snelheid van het zelfaangedreven systeem

- Schakelaar voor het zelfaangedreven systeem
- Primaire handgreep
- Led-lichtknop
- Led-indicator
- Koker rotatie handgreep
- Koker deflector handgreep
- Boor
- Schraperstaaf
- Accuvrijgaveknop
- Elektrische contacten

PAKLIJST (AFB.A3)

MONTAGE

BEVESTIGEN/VERWIJDEREN VAN HET WIEL

- Plaats de sneeuwblazer zoals in afb. B voor een eenvoudigere montage.
- Verwijder de buitenste pakking en wielvergrendelingspen van de as.
- Monteer het wiel en de buitenste pakking. Vergrendel deze met de wielvergrendelingspen.

Opmerking: Controleer het wiel voor de installatie om er zeker van te zijn dat de pijl op het wiel naar voren wijst (afb. B).

B-1	Buitenste pakking	B-2	Wielvergrendelingspen
-----	-------------------	-----	-----------------------

DE GEMONTEERDE HANDGREEP PLAATSEN

OPMERKING: De gemonteerde handgreep moet worden geplaatst voordat de sneeuwblazer kan worden gebruikt (afb.C1)

C-1	Vergrendeling-sknop	C-2	Gemonteerde handgreep
-----	---------------------	-----	-----------------------

Maak de vergrendelingsknoppen los en trek de bouten eruit. Bewaar ze voor de hernieuwde montage.

Kies een prettige werkpositie in overeenstemming met uw eigen lengte (afb.C2). De gemonteerde handgreep kan op drie verschillende hoogtes worden ingesteld. (Afb.C3 & afb.C4 & afb.C5)

Bovenste bedienpositie zoals in afb.C3

Middelste bedienpositie zoals in afb.C4

Onderste bedienpositie zoals in afb.C5

DE GEMONTEERDE SNEEUWKOKER PLAATSEN

⚠ WAARSCHUWING: Gebruik de sneeuwblazer nooit zonder de compleet gemonteerde koker.

1. Maak de knop op de binnenste steunpaal los en verwijder de bout (afb.D1). Bewaar de knop en bout voor de hernieuwde montage.

D-1	Sneeuwkokker	D-2	Buitenste steunpaal
D-3	knop	D-4	Binnenste steunpaal
D-5	Basis	D-6	Bout

2. Til de gemonteerde sneeuwkokker op, breng de buitenste steunpaal in een lijn met de binnenste steunpaal en schuif de buitenste steunpaal op zijn plek. Zorg ervoor dat de sneeuwkokker op de basis steunt (afb. D2).
3. Bevestig de gemonteerde sneeuwkokker met de gereserveerde knop en bout.
4. Met de inline kabelregelaar kunt u de drijvende kracht van de kokerrotatie greep veranderen. U kunt de kracht reduceren door de inline kabelregelaar lichtjes tegen de klok in te draaien (afb. D2). Daarentegen neemt de kracht toe als u hem in de tegengestelde richting draait. Houd er rekening mee dat de sneeuwkokker naar links/rechts trekt tijdens het gebruik als hij te los is.

GEBRUIK

HET ACCUPACK INSTALLEREN/VERWIJDEREN

OPLADEN VOOR EERSTE INGEBRIJKNAME.

Alleen gebruiken met de accupacks en laders die worden vermeld in afb.A4

OPMERKING: Voor de beste prestaties raden wij het gebruik van twee 5.0 Ah EGO 56V Arc-Lithium accu's of twee EGO 56V Arc-Lithium accu's met een hogere capaciteit aan.

Als het product niet in gebruik is, moeten de 56V accupacks worden opgeborgen in een gesloten omgeving waar de temperatuur niet onder -20°C daalt. De optimale laadtemperatuur ligt tussen 5°C en 40°C.

Installeren

Druk het accupack in het accupackvak totdat u een "klik" hoort. (AFB.E1)

Verwijderen

Druk op de ontgrendelingsknop in het accupackvak. (AFB.E2)

OPMERKING: Zorg dat de vergrendeling op de sneeuwblazer op zijn plaats klikt en het accupack (de accupacks) stevig aan het gereedschap is vastgemaakt voordat u begint met het gebruik.

DE SNEEUWBLAZER STARTEN/STOPPEN

⚠ OPGELET: Probeer niet de werking van de veiligheidsknop te overbruggen.

⚠ WAARSCHUWING: Zorg dat andere personen en huisdieren zich op minstens 30 meter van de sneeuwblazer bevinden wanneer u hem gebruikt.

⚠ WAARSCHUWING: De boor roteert nog enkele seconden nadat de sneeuwblazer is uitgeschakeld. Laat de boor eerst tot stilstand komen voordat u hem weer start.

OPMERKING: Start en stop de sneeuwblazer niet te vaak snel achter elkaar.

De sneeuwblazer starten

1. Zorg ervoor dat de gemonteerde handgreep goed is bevestigd op de juiste hoogte, de gemonteerde zijkokker juist is bevestigd, de koker en de koker deflector juist op de juiste positie zijn aangepast.
2. Plaats het accupack (de accupacks) in de sneeuwblazer en sluit het batterijdeksel.
3. Druk de veiligheidsknop (A-16) en houd deze 1 seconde ingedrukt. De led indicator (A-21) zal groen knipperen. Druk op de boor-trekkerschakelaar (A-13) om de sneeuwblazer in te schakelen terwijl de led indicator knippert

OPMERKING: De sneeuwblazer kan alleen worden ingeschakeld met de boor-trekkerschakelaar als de led indicator knippert.

OPMERKING: De sneeuwblazer start eventueel niet naar behoren als de temperatuur van de accu's lager is dan -20°C. Als de sneeuwblazer niet start, verwijdert u de accu van de sneeuwblazer en laat u deze binnenshuis gedurende 10 minuten of langer opwarmen. Plaats de accu weer en probeer het opnieuw.

De sneeuwblazer stoppen

Laat de boor-trekkerschakelaar helemaal los.

OPMERKING: De elektrische rem in de automatische remmechanisme zal de boorrotatie stoppen binnen 3 seconden nadat de boor-schakelaar werd losgelaten.

Variabel boor-snelheidssysteem

De snelheid van de boor kan worden aangepast om de worpafstand te bedienen.

Om de snelheid te verhogen/verlagen, drukt u de boor snelheidshendel (A-15) naar voren/naar achteren.

Variabele snelheid zelfaangedreven systeem

Deze sneeuwblazer is voorzien van een zelfaangedreven systeem met variabele snelheid. Deze is onafhankelijk van de boorrootatie.

Om het zelfaangedreven systeem zonder boorrootatie te gebruiken, drukt u de schakelaar voor de zelfaandrijving (A-18) naar het handvat. Om de snelheid te verhogen, beweegt u de bedienhendel voor het zelfaangedreven systeem (A-17) naar voren. Om de snelheid te verlagen, beweegt u de bedienhendel voor het zelfaangedreven systeem naar achteren.

Om de zelfaangedreven functie uit te schakelen, laat u de schakelaar voor het zelfaangedreven systeem los.

Om de sneeuwblazer achteruit te bewegen, moet eerst de zelfaangedreven functie worden uitgeschakeld; trek de bedienhendel voor het zelfaangedreven systeem naar de ACHTERUIT positie, druk dan op de schakelaar voor het zelfaangedreven systeem.

OPMERKING: De snelheid kan niet worden veranderd als de sneeuwblazer in de achteruit wordt gebruikt met de zelfaandrijving; de hendel voor de snelheid kan de snelheid in de achteruit niet veranderen.

OPMERKING: De sneeuwblazer kan niet in de achteruit worden gezet als de zelfaangedreven functie in de vooruit staat.

BOOR-TREKKERSCHAKELAAR EN ZELFAANGEDREVEN TREKKERKOPPELING

Als de zelfaangedreven trekker (A-18) en de boor-trekkerschakelaar (A-13) gelijktijdig worden gedrukt, laat u de boor-trekkerschakelaar (rechterhand) los, hierna blijft de boor-trekkerschakelaar ingeschakeld. Dit kenmerk stelt u in staat om de boorsnelheid, de zelfaangedreven snelheid en de afgifterichting van de sneeuw in te stellen als de boor draait

Om de boor te stoppen laat u de schakelaar voor de zelfaandrijving los, waarna de boor en de zelfaangedreven functie zullen stoppen.

AANPASSING VAN DE KOKER EN DEFLECTOR

De koker kan worden aangepast om zowel de richting alsook de afstand van de verwijderde sneeuw aan te passen zodat u

de sneeuw weg van het ene gebied naar het andere gebied kunt verplaatsen.

De richting van de sneeuwverwijdering kan tot 100° naar links en 100° naar rechts worden aangepast

Trek de koker rotatie handgreep (A-22) naar links/rechts om de koker naar links/rechts te draaien.

De worpafstand van de sneeuwblazer wordt aangepast door de koker deflector omhoog of omlaag te bewegen.

Om de afstand van de weggeworpen sneeuw te vergroten of te verminderen, trekt u de koker deflector handgreep (A-23) naar achteren of naar voren om de koker deflector (A-10) te verhogen of te verlagen. Zodra de gewenste koker deflector positie is bereikt, vergrendelt u de koker deflector handgreep in de vergrendelingsleuf (F-1) (afb. F).

GEBRUIK VAN DE LED ZIJLAMPEN (A-12) EN KOPLAMPEN (A-6)

Druk een keer op de led-lichtknop om beide zijlampen en de koplampen in te schakelen.

Druk twee keer op de led-lichtknop om de zijlampen uit te schakelen.

Druk drie keer op de led-lichtknop om alle lampen uit te schakelen.

OPMERKING: Alle lampen gaan automatisch uit als de sneeuwblazer niet binnen 5 minuten wordt gebruikt.

LED-INDICATOR (A-21) OP DE SNEEUWBLAZER

De sneeuwblazer is voorzien van een led indicator die het laadniveau van het accupack (de accupacks) en de werkstatus van de sneeuwblazer aangeeft.

LED-INDICATOR	Betekenis	Actie
Groen brandend	De sneeuwblazer werkt correct; elke accu heeft tenminste nog 15% van zijn lading.	N.v.t.
Rood knipperend	De accu is bijna leeg.	Stop de sneeuwblazer en laad het accupack (de accupacks) op.
Rood en groen knipperen afwisselend	Fout	Neem contact op met de klantenservice van EGO

NL

Oranje brandend	De sneeuwblazer stopt als gevolg van oververhitting.	Verwijder de accu's uit de sneeuwblazer, zet hem in de schaduw en laat hem tenminste 15 minuten lang afkoelen.
Oranje knipperend	De sneeuwblazer is overbelast.	Verwijder eerst het accupack, controleer en reinig vervolgens als er sneeuw is opgehoopt onder het dek. Verlangzaam als u sneeuw beweegt. Als dit niet helpt, neem dan contact op met de EGO klantenservice.
UIT & LED aan batterij knipperend	De accu is oververhit. (Zie alinea „ACCUBEVEILIGING TEGEN HOGE TEMPERATUREN“ in deze handleiding)	Verwijder de accu uit de sneeuwblazer en wacht totdat het accupack is afgekoeld tot ongeveer 67°C. Plaats de accu vervolgens terug en start de sneeuwblazer opnieuw.

OVERBELASTINGSBEVEILIGING VAN DE SNEEUWMAAIER

Uw sneeuwblazer heeft ingebouwde overbelastingssensoren. Als de sneeuwblazer is overbelast, zal de motor de snelheid automatisch verlagen en hoort u dat het volume van de motor afneemt. Wandel langzamer of verminder de reinigingsbreedte; de motorsnelheid zal dan automatisch terugkeren naar de normale instelling. Als deze methode de overbelasting niet oplost, zal de sensor de motor automatisch uitschakelen en de led indicator op de sneeuwblazer zal oranje knipperen. Verwijder het accupack (de accupacks) uit de sneeuwblazer, wacht 10 seconden en controleer vervolgens of er sneeuw of ijs vast zit in de boor en het dek. Indien nodig volgt u de instructies voor de „Verhelpen van een verstopte koker“. Plaats de accu's terug en start de sneeuwblazer opnieuw.

VERHELPE VAN EEN VERSTOPTE KOKER

⚠ WAARSCHUWING: Gebruik altijd het reinigingsgereedschap voor de koker (A-8) dat als accessoire is bevestigd aan het gereedschap; gebruik niet uw hand.

ACCUBEVEILIGING TEGEN HOGE TEMPERATUREN

Het accupack produceert warmte tijdens het gebruik. De warmte verdwijnt langzamer bij warm weer. Als de accutemperatuur boven 70°C stijgt tijdens het gebruik, zal de beveiliging de sneeuwblazer direct uitschakelen om het accupack te beschermen tegen schade als gevolg van hitte. De statusindicator op de sneeuwblazer gaat uit, de led op de accu, lees de alinea „ACCUBEVEILIGING“ in de gebruiksaanwijzing voor meer informatie. Laat de veiligheidsschakelaar los, wacht totdat het accupack afkoelt op ongeveer 67°C, waarna u de sneeuwblazer opnieuw kunt starten.

TIPS VOOR HET GEBRUIK

⚠ GEVAAR: Gebruik een sneeuwblazer nooit op bevroren meren, rivieren of gelijksoortige oppervlakken. Dood of ernstig letsel kunnen het gevolg zijn als het ijs breekt.

⚠ GEVAAR: Gebruik de sneeuwblazer nooit op een dak of een ander onstabiel oppervlak, wat de dood of ernstig letsel tot gevolg kan hebben.

⚠ WAARSCHUWING: Gebruik de sneeuwblazer niet op ijs, hierdoor kan de bediener uitglijden en vallen, wat mogelijk ernstig letsel tot gevolg kan hebben.

⚠ WAARSCHUWING: Draag geen los zittende kleding, sjaals of sieraden. Ze kunnen verstrikt raken in bewegende onderdelen en de dood of ernstig letsel tot gevolg hebben.

⚠ WAARSCHUWING: Houd de sneeuwuitworp uit de buurt van elektrische apparatuur om het risico op elektrocutie of een elektrische schok te voorkomen.

⚠ WAARSCHUWING: Richt de sneeuwblazer of de koker nooit in de richting van personen of huisdieren. Weggeslingerde sneeuw of andere voorwerpen kunnen ernstig letsel veroorzaken.

⚠ WAARSCHUWING: Zorg ervoor dat het gebied vrij is van stenen, stokken, draden, grind en andere voorwerpen die per ongeluk door de sneeuwblazer in een willekeurige richting kunnen worden geslingerd en ernstig letsel bij de bediener of anderen kunnen veroorzaken.

- Als het apparaat in contact komt met welk obstakel of vuil dan ook tijdens het gebruik, moet u de sneeuwblazer stoppen, het accupack (de accupacks) verwijderen, de obstructie verwijderen en het apparaat aandachtig inspecteren op beschadigingen alvorens verder te gaan.

⚠ WAARSCHUWING: Rijk nooit in de koker en plaats geen lichaamsdelen voor de sneeuwblazer als het apparaat in gebruik is of als het accupack (de

accupacks) zijn geplaatst. Zorg er altijd voor dat alle bewegende onderdelen tot stilstand zijn gekomen en dat het accupack (de accupacks) zijn verwijderd voordat u blokkeringen verhelpt. Het negeren van deze instructies kan ernstig letsel tot gevolg hebben.

- Houd rekening met de windrichting voordat u begint. Indien mogelijk dient u de sneeuw in dezelfde richting als de wind weg te bewegen om te voorkomen dat sneeuw in uw gezicht wordt geblazen.
- Enkele onderdelen van de sneeuwblazer kunnen onder extreme weersomstandigheden bevriezen. Probeer niet het gereedschap te gebruiken met bevroren onderdelen.
- Als u klaar bent, laat de motor dan nog een paar minuten lopen om te voorkomen dat de bewegende onderdelen bevriezen. Draai de koker rotatie handgreep vervolgens enkele malen naar voren en achteren om hem vrij te maken van eventueel aanwezig ijs. Zorg ervoor dat u sneeuw en ijs van de basis van de koker verwijdert.
- In sneeuwrijke en koude omstandigheden kunnen bedieningselementen en bewegende onderdelen bevriezen. Gebruik geen overmatige kracht als u bevroren bedieningselementen probeert te bedienen. Als u problemen heeft bij het bedienen van bedieningselementen of onderdelen, start u het gereedschap zoals beschreven in de alinea „STARTEN/STOPPEN VAN DE SNEEUWBLAZER“ en laat u hem enkele minuten lopen.

ONDERHOUD

ALGEMEEN ONDERHOUD

Maak de kunststof onderdelen niet schoon met oplosmiddelen. De meeste kunststoffen kunnen worden beschadigd wanneer ze in contact komen met commerciële oplosmiddelen. Gebruik een schone doek voor het verwijderen van vuil, stof, olie, vet, etc.

HET GEREEDSCHAP SMEREN

Alle pakkingen in het product zijn gesmeerd met een voldoende hoeveelheid hoogwaardig smeermiddel voor de hele levensduur onder normale gebruiksomstandigheden. Daarom hoeft u de pakkingen niet meer te smeren.

DE GLIJSCHOENEN VERVANGEN EN AANPASSEN

1. Verwijder de accu's.
2. Maak de moeren, pakkingen en de glij schoen los en verwijder hem van de schroeven (afb.G1).
3. Vervang, indien nodig, de glij schoen door een nieuwe.

4. De hoogte van de glij schoenen kan worden aangepast aan de hand van de actuele sneeuwomstandigheden zonder de moeren helemaal te verwijderen. Gewoon losmaken, de glij schoenpositie aanpassen en weer vastdraaien (afb.G2).

DE BREEKBOUT VERVANGEN

De breekbouten bevinden zich in de boorschacht (afb.H1). Ze ondersteunen bij het absorberen van de directe koppel als de boor een obstakel raakt tijdens het werken en beschermt de versnellingsbak en motor tegen beschadigingen.

H-1	Boorschacht	H-2	Breekbout
-----	-------------	-----	-----------

Om de breekbouten te vervangen verwijdert u de accu's, de gebroken breekbout uit de boorschacht en vervangt u ze door nieuwe bouten.

OPMERKING: Twee extra breekbouten bevinden zich op de gemonteerde koker. Vervang door nieuwen als de originelen stuk zijn. (Afb.H2).

DE SNEEUWBLAZER OPBERGEN

⚠ OPGELET: Zorg ervoor dat alle gesmolten sneeuw die van de sneeuwblazer kan druppen goed is weggeveegd om glijgevaar en het gevaar te vallen te voorkomen.

- Verwijder het accupack (de accupacks) en bewaar deze op een veilige plek buiten het bereik van kinderen.

Voor het opbergen veegt u vocht, vuil en afval weg van het accugedeelte.

- Veeg de sneeuwblazer droog met een droge doek.
- Controleer alle moeren, bouten, schroeven etc. op een juiste bevestiging.
- Controleer de bewegende onderdelen op beschadigingen, gebroken onderdelen en slijtage. Laat reparaties uitvoeren aan beschadigde of ontbrekende onderdelen.
- Bewaar de sneeuwblazer op een schone, droge en gesloten plek buiten het bereik van kinderen.
- Niet in de buurt van corrosieve stoffen zoals kunstmest of zout opbergen.

Het milieu beschermen



Voer elektrische apparaten niet via het huisvuil af, maar maak gebruik van de afzonderlijke inzamelpunten.

Neem contact op met uw lokale overheid voor informatie over de beschikbare inzamelingsystemen.

Als elektrische apparaten op een vuilstort of vuilnisbelt terecht komen, kunnen gevaarlijke stoffen in het grondwater lekken en in de voedselketen komen wat schadelijk is voor uw gezondheid en welzijn.

NL

PROBLEEMOPLOSSING

⚠ WAARSCHUWING: Verwijder altijd het accupack (de accupacks) tijdens onderhoud of transport van de sneeuwblazer. Bescherm altijd uw handen door handschoenen te dragen als u onderhoud aan de sneeuwblazer boor of schraper uitvoert.

PROBLEEM	OORZAAK	OPLOSSING
De sneeuwblazer start niet.	<ul style="list-style-type: none"> ■ De accu is bijna leeg. ■ De boor-trekkerschakelaar is niet ingedrukt op het moment dat de led indicator groen knippert. ■ De boor is bevroren door sneeuw of ijs. ■ De accu is oververhit. De led indicator op de accu knippert oranje of brandt rood (zie alinea „ACCUBEVEILIGING TEGEN HOGE TEMPERATUREN“ in deze gebruiksaanwijzing). 	<ul style="list-style-type: none"> ■ Laad de accu op. ■ Druk de boor-trekkerschakelaar als de led indicator knippert. Als de led indicator niet meer knippert, reageert de sneeuwblazer niet op het drukken op de boor-trekkerschakelaar. ■ Verwijder het accupack (de accupacks) eerst, gebruik het meegeleverde koker-reinigingsgereedschap om sneeuw of ijs te verwijderen dat de boor blokkeert. Herstart de sneeuwblazer. ■ Verwijder de oververhitte accu uit de sneeuwblazer en wacht totdat het accupack is afgekoeld tot ongeveer 67°C. Plaats de accu vervolgens terug en start de sneeuwblazer opnieuw.
De motor is ingeschakeld maar de boor gaat niet aan.	<ul style="list-style-type: none"> ■ De breekbout is gebroken. 	<ul style="list-style-type: none"> ■ Vervang de breekbout overeenkomstig de alinea „DE BREEKBOUT VERVANGEN“ in deze gebruiksaanwijzing.
De led-lichtknop reageert niet op de eerste keer drukken.	<ul style="list-style-type: none"> ■ Het interne zelfcontrolerende proces veroorzaakt een lichte vertraging bij de eerste activering van de knoppen. 	<ul style="list-style-type: none"> ■ Druk op de led lichtknop en houd hem 1 seconde ingedrukt.
De led indicator op de accu blijft aan nadat de boor van de sneeuwblazer is gestopt of het zelfaangedreven systeem uit gaat.	<ul style="list-style-type: none"> ■ Het elektrisch circuit bevindt zich in stand-by voor de volgende start. De led gaat automatisch uit als de sneeuwblazer gedurende 5 à 10 minuten niet wordt gebruikt. 	<ul style="list-style-type: none"> ■ Laat het zo of verwijder de accu's uit het accuvak.

NL

GARANTIE

Bezoek alstublieft de website egopowerplus.eu voor de volledige

LÆS ALLE ANVISNINGER!

Tiltænkt formål: Fjernelse af sne fra områder, såsom indkørsler og fortorv.

⚠ ADVARSEL: Sørg for at læse og forstå alle sikkerhedsanvisninger i denne brugsanvisning, inklusive alle sikkerhedssymboler, såsom "**FARE**", "**ADVARSEL**" og "**FORSIGTIG**", før du bruger dette værktøj. Hvis anvisningerne nedenfor ikke følges, kan det føre til elektrisk stød, brand og/eller alvorlig personskade.

⚠ ADVARSEL: Når elværktøjer bruges, er der altid en risiko for at genstande slynges ind i øjnene, som kan føre til alvorlige øjenskader. Inden du begynder elværktøj drift, altid bære beskyttelsesbriller eller sikkerhedsbriller med side skjolde og en fuld ansigtsmaske når det er nødvendigt. Vi anbefaler en Wide Vision Safety Maske til brug over briller eller standard sikkerhedsbriller med sideskærme.

DK

SIKKERHEDSSYMBOLER



Sikkerhed Alert



For at reducere risikoen for skader, skal brugeren læse og forstå brugsanvisningen før du bruger dette produkt.



Hold fødderne og hænder på afstand



Bær altid beskyttelsesbriller eller sikkerhedsbriller med side skjolde og en fuld ansigtsskærm, når du betjener dette produkt.



FORSIGTIG: Undgå, at kikke ind i betjeningsslampen.



FARE —Sluk motoren, før du fjerner tilstopningen i udstødningen. For at reducere risikoen for skader, skal du holde hænder og fødder væk fra dejen dele. Tilstoppede elementer må kun fjernes, når motoren er blevet slukket og de må aldrig fjernes med hænderne.



Hold fødderne væk fra skovhjululet



Elektriske affaldsprodukter må ikke bortskaffes sammen med husholdningsaffald. Bring det til en godkendt genbrugsplads.



Garanteret lydniveau. I henhold til EU-direktiver.



Dette produkt er i overensstemmelse med gældende EU-direktiver.



Jævnstrøm (DC)



Dette produkt overholder gældende britisk lovgivning.

kg Kg

V Volt

IPX4 Beskyttelse mod vandstråler

SPECIFIKATIONER

Spænding	56 V	
Rydningens bredde	61 cm	
Højde på indtag	51 cm	
Kasteafstand	13 m	
Hjulstørrelse	38 cm	
Vægt	68 kg	
Anbefalet driftstemperatur	-20°C-10°C	
Anbefalet opbevaringstemperatur	-20°C-70°C	
Målt lydeffektniveau L_{WA}	96,61 dB(A) K=1,6 dB(A)	
Lydtryk ved brugerens øre L_{PA}	82,5 dB(A) K=4 dB(A)	
Garanteret lydeffektniveau L_{WA} (målt i henhold til 2000/14 / EF)	98 dB(A)	
Vibrationsværdi a_v :	Venstre håndtag	0,3 m/s ² K=1,5 m/s ²
	Højre håndtag	0,4 m/s ² K=1,5 m/s ²

BESKRIVELSE

KEND DIN SNEBLÆSER (fig. A1 & A2)

1. Sidestang
2. Batteridæksel
3. Batterirum
4. Hjul
5. Glidfod
6. Forlygter
7. Dæk
8. Værktøj til rengøring af udstødningen
9. Sneudstødning
10. Udstødningsskærm
11. Bageste håndtag
12. LED-sidelys
13. Startknap til sneglen
14. Hovedhåndtag
15. Håndtag til indstilling af sneglens hastighed
16. Sikkerhedsknap
17. Håndtag til indstilling af selvkørende hastighed
18. Håndtag til den selvkørende funktion
19. Hovedhåndtag
20. Knap til LED-lyset
21. LED-indikator

22. Drejehåndtag til udstødning
23. Håndtag til udstødningsskærm
24. Snegl
25. Skrabestang
26. Knap til frigørelse af batteri
27. Elektriske kontakter

PAKKELISTE (FIG. A3)

SAMLING

MONTERING/AFMONTERING AF HJULENE

1. Placer sneblæseren, som vist i fig. B for nemmere montering.
2. Fjern den ydre pakning og hjul-låsestiften fra akslen.
3. Sæt hjulet og den ydre pakning på. Lås dem fast med hjul-låsestiften.

Bemærk: Kontroller hjulet før det monteres, for at sikre at pilen på hjulet peger fremad (fig. B).

B-1	Ydre pakning	B-2	Hjul-låsestift
-----	--------------	-----	----------------

SÅDAN MONTERES DET SAMLEDE HÅNDTAG

BEMÆRK: Det samlede håndtag skal sættes på, før sneblæseren kan bruges (fig. C1).

C-1	Låsekноп	C-2	Det samlede håndtag
-----	----------	-----	---------------------

Løsn de fire låsekopper og træk boltene ud. De skal bruges igen til samlingen.

Vælg en behagelig arbejdsstilling i henhold til din højde (fig. C2). Det samlede håndtag kan indstilles til tre forskellige højder. (Fig. C3 og Fig. C4 og Fig. C5)

Øvre arbejdsstilling er vist i fig. C3

Midterste arbejdsstilling er vist i fig. C4

Nedre arbejdsstilling er vist i fig. C5

SÅDAN MONTERES DEN SAMLEDE SNEUDSTØDNING

⚠ ADVARSEL: Sneblæseren må aldrig bruges uden udstødningen.

1. Løsn knoppen på den indre støtteang, og fjern boltten (fig. D1). Behold knoppen og boltten til senere samling.

D-1	Sneudstødning	D-2	Ydre støtteang
D-3	Knop	D-4	Indre støtteang
D-5	Nedre del	D-6	Bolt

2. Løst den samlede sneudstødning, og sørg for at den ydre støttepind passer med den indre støttepind, og sæt derefter den ydre støttepind på plads. Sørg for, at sneudstødningen sidder på den nederste del (fig. D2).
3. Spænd den samlede sneudstødning fast med knoppen og boltten.
4. Med den indbyggede kabelregulator kan du ændre styrken på drejehåndtaget til udstødningen. Styrken kan reduceres ved at dreje den indbyggede kabelregulator lidt mod uret (fig. D2). Og styrken kan forøges ved at dreje den i den modsatte retning. Bemærk, at sneudstødningen vil glide til venstre/højre under brug, hvis den er for løs.

DK

BETJENING

PÅSÆTNING/AFTAGNING AF BATTERIPAKKEN

OPLAD INDEN FØRSTE BRUG.

Produktet må kun bruges med batteripakker og opladere, der står på listen i fig. A4

BEMÆRK: For at få det bedste ud af produktet, anbefaler vi det bruges med to 5,0 Ah EGO 56 V Arc-litium-batterier eller med to EGO 56 V Arc-litium-batterier med større kapacitet.

Når produktet ikke er i brug, skal 56 V batteripakkerne opbevares i et lukket område, hvor temperaturen ikke kommer under -20 °C. Den optimale opladningstemperatur er mellem 5 °C og 40 °C.

Påsætning

Tryk batteriet ind i batterirummet, indtil du hører et "klik". (Fig. E1)

Aftagning

Tryk på udløserknappen til batteriet i batterirummet. (Fig. E2)

BEMÆRK: Sørg for, at låsen på sneblæseren låses på plads, og at batteripakkerne sidder ordentligt fast i sneblæseren, inden den tages i brug.

SÅDAN STARTES/STOPPES SNEBLÆSEREN

⚠ FORSIGTIG: Sikkerhedsknappen skal altid bruges.

⚠ ADVARSEL: Sørg for at andre personer og kæledyr er mindst 30 meter væk fra sneblæseren, når den er i brug.

⚠ ADVARSEL: Sneglen bliver ved med at dreje rundt i et par sekunder efter sneblæseren slukkes. Lad sneglen standse helt, inden maskinen startes igen.

62

56 VOLT LITUM-ION LEDNINGSFRI SNEBLÆSER — SNT2400E

BEMÆRK: Sneblæseren må ikke tændes umiddelbart efter den slukkes.

Sådan startes sneblæseren

1. Sørg for, at det samlede håndtag er korrekt indstillet til passende højde, at sideudstødningen er monteret korrekt og at udstødningen og udstødningsskærmen er indstillet til en passende position.
2. Sæt batteripakkerne i sneblæseren, og luk låget til batterirummet.
3. Tryk på sikkerhedsknappen (A-16) og hold den nede i 1 sekund, hvorefter LED-indikatoren (A-21) blinker grøn. Tryk på startknappen til sneglen (A-13) for, at tænde sneblæseren, når LED-indikatoren blinker

BEMÆRK: Sneblæseren kan kun tændes på startknappen til sneglen, når LED-indikatoren blinker.

BEMÆRK: Sneblæseren starter muligvis ikke ordentligt, hvis batteritemperaturen er -20 °C eller derunder. Hvis sneblæseren ikke starter, skal du tage batteriet ud og lad de varme op indendørs i mindst 10 minutter. Sæt derefter batteriet i og prøv igen.

Sådan stoppes sneblæseren

Slip startknappen til sneglen.

BEMÆRK: Den elektriske bremse i den automatiske bremsemekanisme stopper sneglen inden for 3 sekunder efter startknappen slippes.

System med forskellige hastigheder på sneglen

Sneglens hastighed kan justeres, for at styre kasteafstanden.

For at forøge/reducere hastigheden, skal du trykke på håndtaget til indstilling af sneglens hastighed (A-15) frem/tilbage.

Selvkørende system med forskellige hastigheder

Denne sneblæser er udstyret med en selvkørende funktion, der kan indstilles til forskellige hastigheder. Den er uafhængig af sneglens drejning.

For at bruge systemet det selvkørende system uden drejning af sneglen, skal du trykke håndtaget til den selvkørende funktion (A-18) mod håndtaget. For at øge hastigheden, skal du trykke håndtaget til indstilling af den selvkørende hastighed (A-17) fremad. For at reducere hastigheden, skal håndtaget til indstilling af den selvkørende hastighed trækkes tilbage.

For at slå den selvkørende funktion fra, skal håndtaget frigives igen.

For at køre sneblæseren baglæns, skal du først stoppe den selvkørende funktionen. Træk håndtaget til indstilling af den selvkørende hastighed til BAK, og tryk derefter på håndtaget til den selvkørende funktion.

BEMÆRK: Hastigheden er fast, når sneblæseren kører baglæns på den selvkørende funktion. Håndtaget til indstilling af den selvkørende hastighed kan ikke ændre bakhastigheden.

BEMÆRK: Sneblæseren kan ikke stilles til, at køre baglæns, når den selvkørende funktion bruges til, at køre fremad.

BRUG AF STARTKNAPPEN TIL SNEGLEN OG HÅNDTAGET TIL DEN SELVKØRENDE FUNKTION PÅ SAMME TID

Når håndtaget til den selvkørende funktion (A-18) og startknappen til sneglen (A-13) trykkes ned på samme tid og startknappen til sneglen slippes (højre hånd), forbliver sneglen låst. Med denne funktion kan du juster hastigheden på sneglen, den selvkørende hastighed og sneens udstødningretning, når sneglen drejer

For at stoppe sneglen, skal du slippe håndtaget til den selvkørende funktion, hvorefter både sneglen og den selvkørende funktion stopper.

JUSTERING AF UDS TØDNING OG SKÆRM

Udstødningen kan justeres, så både sneens retning og afstand ændres, så sneen bedre kan flyttes fra et område til et andet.

Sneens kasteretning kan justeres 100° til venstre 100° til højre.

Træk drejhåndtaget til udstødningen (A-22) til højre/venstre, for at dreje udstødningen til højre/venstre.

Sneblæserens kasteafstand justeres ved, at flytte udstødningsskærmen op og ned.

For at justere, hvor langt sneen skal blæses væk, skal du trække håndtaget til udstødningsskærmen (A-23) frem eller tilbage, for at sænke eller hæve udstødningsskærmen (A-10). Når udstødningsskærmen er blevet indstillet, skal du låse håndtaget til udstødningsskærmen på plads (F-1) (fig. F).

BRUG AF LED-SIDELYSET (A-12) OG FORLYSET (A-6)

Tryk på LED-lysknappen, for at tænde sidelysene og forlyset.

Tryk to gange på LED-knappen, for at slukke sidelysene.

Tryk tre gange på LED-knappen, for at slukke alle lysene.

BEMÆRK: Alle LED-lysene slukker automatisk, hvis sneblæseren ikke bruges i 5 minutter.

LED-INDIKATOR (A-21) PÅ SNEBLÆSEREN

Sneblæseren er udstyret med en LED-indikator, der viser opladningsstatus på batterierne og sneblæserens driftsstatus.

LED-INDIKATOR	Betydning	Handling
Lyser grøn	Sneblæseren virker ordentligt. Batteriet har mindst 15 % tilbage.	Ikke relevant
Blinker rød	Batteriet er næsten brugt op	Stop sneblæseren, og oplad batterierne.
Blinker rød og grøn	Fejl	Kontakt EGO's kundservicecenter
Lyser orange	Sneblæseren stopper på grund af overophedning.	Tag batterierne ud af sneblæseren. Stil både sneblæseren og batterierne i skyggen, og lad dem køle ned i mindst 15 minutter
Blinker orange	Sneblæseren er overbelastet.	Fjern først batteripakkene, og se om sne har samlet sig på undersiden. Fjern det, hvis dette er tilfældet. Kør langsommere med sneblæseren. Hvis dette ikke virker, bedes du venligst kontakte EGO's kundservicecenter.

DK

<p>LYSER IKKE OG LED på batteriet blinker</p>	<p>Batteriet er overophedet. (Se afsnittet "BESKYTTELSE MOD HØJ BATTERITEMPERATUR" i denne vejledning)</p>	<p>Tag batteriet ud af sneblæseren, og vent indtil det er kølet ned til ca. 67° C. Sæt derefter batteriet i igen, og start sneblæseren.</p>
---	--	---

DK BESKYTTELSE MOD OVERBELASTNING AF SNEBLÆSEREN

Din sneblæser har indbyggede sensorer, der registrerer, hvis den overbelastes. Hvis sneblæseren overbelastes, reduceres motorens hastighed automatisk og du kan høre motorens larmer mindre. Kør langsommere med sneblæseren eller blæs et smallere stykke ad gangen. Herefter går motorens hastighed tilbage til normal. Hvis dette ikke hjælper mod overbelastningen, slukker sensorerne automatisk motoren og LED-indikatoren på sneblæseren blinker orange. Tag batteripakkerne ud af sneblæseren, vent i 10 sekunder og vent og se, om der sidder sne eller is fast på sneglen og dækket. Følg vejledningerne i afsnittet "Sådan rengøres en tilstoppet udstødning", hvis nødvendigt. Sæt batterierne i igen, og start sneblæseren igen.

SÅDAN RENGØRES EN TILSTOPPET UDSTØDNING

⚠ ADVARSEL: Brug altid værktøjet til rengøring af udstødningen (A-8), som sidder på maskinen som tilbehør. Brug ikke hånden.

BESKYTTELSE MOD OVEROPHEDNING AF BATTERIET

Batteripakken danner varme under brug. Varmen forsvinder langsommere i varmt vejr. Hvis batteriets temperatur kommer over 70°C under brug, slukker beskyttelsesfunktionen automatisk sneblæseren, så batteripakken beskyttes mod varmeskader. Statusindikatoren på sneblæseren går ud. Se venligst afsnittet "BESKYTTELSE AF BATTERIET" i brugsvejledningen til batteriet, for yderligere oplysninger. Slip koblingshåndtaget, vent indtil batteripakken er kølet ned til ca. 67° C og start derefter sneblæseren igen.

TIP TIL BETJENING

⚠ FARE: En sneblæser må aldrig bruges på frose søer, floder eller lignende overflader. Hvis der går hul i isen, kan det føre til dødsfald eller seriøse skader.

⚠ FARE: Sneblæseren må aldrig bruges på et tag eller andre ustabile overflader, da dette kan føre til dødsfald eller seriøse personskader.

⚠ ADVARSEL: Sneblæseren må ikke bruges på is, da brugeren kan glide og falde, hvilket kan føre til seriøse personskader.

⚠ ADVARSEL: Undgå, at bære løstsiddende tøj, halstørklæder eller smykker. Disse kan komme i klemme i bevægelige dele, hvilket kan føre til dødsfald eller seriøse personskader.

⚠ ADVARSEL: Hold al snekast rettet væk fra alle elektriske enheder, for at reducere risikoen for livsfarlig elektrisk stød.

⚠ ADVARSEL: Ret aldrig sneblæseren eller udstødningen i retning af mennesker eller kæledyr. Sne og andre genstande, der slynges ud af apparatet, kan føre til alvorlige personskader.

⚠ ADVARSEL: Sørg for, at områder, der skal ryddes, er fri for sten, pinde, ledninger, grus og andre genstande, der ved et uheld kan slynges ud af sneblæseren i alle retninger og forårsage alvorlige personskader på brugeren og andre personer.

- Hvis maskinen kommer i kontakt med nogen former for forhindringer eller snavs under brug, skal du stoppe sneblæseren, tage batteripakkerne ud, fjerne forhindringen og se maskinen omhyggeligt efter for skader, inden du fortsætter.

⚠ ADVARSEL: Ræk aldrig ind i udstødningen, og placer aldrig en kropsdel foran sneblæseren, når den er i gang, eller når batteripakkerne er sat i. Sørg altid for, at alle bevægelige dele er standset, og at batteripakkerne er blevet fjernet, inden forhindringer fjernes. Efterkommes disse anvisninger ikke, kan det medføre alvorlig personskader.

- Vær opmærksom på vindens retning, inden du begynder. Prøv at blæse sneen i samme retning som vinden, så den ikke blæses tilbage i ansigtet på dig.

- Nogle dele af sneblæseren kan fryse i ekstreme vejrforhold. Forsøg ikke at betjene maskinen med frose dele.

- Når du er færdig, skal du lade motoren køre i et par minutter mere, så bevægelige dele ikke fryser. Drej derefter drejehåndtaget til udstødningen frem og tilbage et par gange, så det ikke fryses fast. Sørg for, at fjerne sne og is på bunden af udstødningen.

- I snedækkede og kolde forhold kan nogle af betjeningsknapperne og bevægelige dele muligvis fryse sig fast. Brug ikke overdreven kraft, når du prøver at betjene frosne betjeningsknapper. Hvis du har svært ved at betjene en betjeningsknop eller del, skal du starte maskinen som beskrevet i afsnittet "SÅDAN STARTES/STOPPES SNEBLÆSEREN" og lad den køre i et par minutter.

VEDLIGEHOLDELSE

GENEREL VEDLIGEHOLDELSE

Undgå, at bruge opløsningsmidler til rengøring af plastdele. De fleste plastmaterialer risikerer at blive ødelagt, ved brug af forskellige slags alment tilgængelige opløsningsmidler. Brug en ren klud til, at fjerne snavs, støv, olie, fedt, osv.

SMØRING AF MASKINEN

Alle lejerne i dette produkt er smurt med nok smøremiddel af høj kvalitet til hele maskinens levetid under normale driftsforhold. Lejerne skal derfor ikke smøres yderligere.

SÅDAN SKIFTES OG JUSTERES GLIDEFODEN

1. Tag batterierne ud.
2. Løsn og fjern møtrikkerne, pakningerne og glidefoden fra skrue(r)ne (fig. G1).
3. Skift glidefoden med en ny, hvis nødvendig.
4. Højden på glideskoen kan justeres i henhold til sneforholdene, uden at fjerne møtrikkerne helt. Du skal bare løsne dem, juster glideskoen og derefter spænde dem igen (fig. G2).

SÅDAN SKIFTES FORSKYDNINGSPINDEN

Forskydningspinden findes på sneglens aksel (fig. H1). De hjælper med at absorbere tilbageslag, hvis sneglen rammer forhindringer under drift og beskytter gearkassen og motoren mod skader.

H-1	Akslen til sneglen	H-2	Forskydningspind
-----	--------------------	-----	------------------

For at udskifte forskydningspindene, skal du først tage batterierne ud. Fjern derefter den ødelagte forskydningsstift på akslen til sneglen og skift den med nye bolte.

BEMÆRK: Der sidder to ekstra forskydningspinde på den samlede udstødning. Brug disse, hvis en forskydningspind går i stykker. (Fig. H2).

OPBEVARING AF SNEBLÆSEREN

⚠ FORSIGTIG: Sørg for, at al smeltet sne, der drypper af sneblæseren, tørres ordentligt op, så ingen glider og falder.

- Tag batteripakkerne ud og opbevar dem et sikkert sted, uden for børns rækkevidde.

Tør fugt, skidt og snavs af batterierne inden opbevaring.

- Tør sneblæseren af med en ren, tør klud.
- Kontroller alle møtrikker, bolte, drejeknapper, skrue(r) osv., og sørg for at de er spændt.
- Se bevægelige dele efter for skader, brud og slid. Beskadede dele skal repareres og manglende dele skal sættes på.
- Opbevar sneblæseren på et rent, tørt og lukket sted, uden for børns rækkevidde.
- Sneblæseren må ikke opbevares ved siden af ætsende stoffer, såsom gødning og stensalt.

Beskyttelse af miljøet



Elektriske apparater må ikke bortskaffes som usorteret kommunalt affald. De skal bortskaffes på genbrugspladser.

Kontakt de lokale myndigheder for oplysninger vedrørende mulige indsamlingssystemer.

Hvis elektriske apparater smides på lossepladsen eller affaldsdeponier, kan der sive giftige stoffer ned i grundvandet og komme ud i fødekæden og gøre skade på menneskers sundhed og velfærd.

DK

FEJLFINDING

⚠ ADVARSEL: Batteripakken skal altid tages ud, hvis sneblæseren skal repareres eller transporteres et andet sted hen. Beskyt altid dine hænder ved at bruge kraftige handsker, når du udfører vedligeholdelsesarbejde på sneblæserens sneglen eller skraber.

DK

PROBLEM	ÅRSAG	LØSNING
Sneblæseren starter ikke.	<ul style="list-style-type: none"> ■ Batteriniveauet er lavt. ■ Startknappen til sneglen trykkes ikke, når LED-indikatoren blinker grøn. ■ Sneglen er frossen af sne eller is. ■ Batteriet er overophedet. LED-indikatoren på batteriet blinker orange eller lyser rød (se afsnittet "BESKYTTELSE MOD OVEROPHEDNING AF BATTERIET" i denne vejledning). 	<ul style="list-style-type: none"> ■ Oplad batteriet. ■ Tryk på startknappen til sneglen, når LED-indikatorerne blinker. Hvis LED-indikatoren holder op med at blinke, reagerer sneblæseren ikke, hvis der trykkes på startknappen til sneglen. ■ Fjern først batteripakkerne, og brug derefter det medfølgende værktøj til rengøring af udstødningen til, at rydde sneen og isen omkring skruen. Sådan startes sneblæseren igen. ■ Tag det overophedede batteriet ud af sneblæseren, og vent indtil det er kølet ned til ca. 67° C. Sæt derefter batteriet i igen, og start sneblæseren.
Motoren er tændt, men sneglen drejer ikke.	<ul style="list-style-type: none"> ■ Forskydningspinden er ødelagt. 	<ul style="list-style-type: none"> ■ Skift forskydningspinden ved, at følge vejledningerne i afsnittet "SÅDAN SKIFTES FORSKYDNINGSPINDEN" i denne vejledning.
LED-lysknappen reagerer ikke, når der trykkes på den.	<ul style="list-style-type: none"> ■ Den interne selvkontrol forårsager en lille forsinkelse, når knappen trykkes for første gang. 	<ul style="list-style-type: none"> ■ Hold LED-lysknappen nede i 1 sekund.
LED-indikatoren på batteriet bliver ved med at lyse, når sneblæserens sneglen stopper og når det selv kørende system slukker.	<ul style="list-style-type: none"> ■ Det elektriske kredsløb er på standby til næste genstart. LED-lyset slukkes automatisk, hvis sneblæseren ikke bruges i 5 til 10 minutter. 	<ul style="list-style-type: none"> ■ Efterlad batteriet i batterirummet, eller tag det ud.

GARANTI

Besøg venligst hjemmesiden egopowerplus.eu for fuldstændige vilkår og betingelser for EGO's garantipolitik.

LÄS IGENOM ALLA INSTRUKTIONER!

Avsedd användning: Ta bort snö från områden såsom körbanor och trottoarer.

⚠ VARNING: Var noga med att läsa och förstå alla säkerhetsinstruktioner i denna bruksanvisning, inklusive alla varningssymboler som t.ex. "FARA", "VARNING" och "FÖRSIKTIGHET" innan du använder detta verktyg. Underlåtenhet att läsa alla instruktioner som listas nedan kan resultera i elektrisk stöt, brand och/eller allvarig personskada.

⚠ VARNING: Användning av något elverktyg kan resultera i att främmande föremål kastas in i dina ögon vilket kan resultera i allvarliga ögonskador. Innan elverktyget börjar användas skall alltid skyddsglasögon eller skyddsglasögon med sidoskydd och fullständigt ansiktsskydd användas när så behövs. Vi rekommenderar att en ansiktsmask med brett synfält används ovanpå glasögonen eller standard skyddsglasögon med sidoskydd.

SÄKERHETSSYMBOLER

SE



Säkerhetslarm



För att minska risker för skador måste användare läsa igenom och förstå bruksanvisningen innan denna produkt används.



Håll undan fötter och händer



Använd alltid skyddsglasögon eller säkerhetsglasögon med sidoskydd och en full ansiktsmask när denna produkt används.



FÖRSIKTIGHET: Stirra inte in i arbetslampan.



FARA — Stäng av motorn innan utkastarrännan rensas. För att minska risken för skador, håll händer och fötter undan från roterande delar. Blockeringar, vilka endast skall rensas efter att motorn stängts av och aldrig med händerna.



Håll fötterna undan från skovelhjulet



Förbrukade elektriska produkter får inte kastas i hushållssoporna. Lämna in dem till en auktoriserad återvinningsstation.



Garanterad ljudeffektnivå. I enlighet med EU-direktivet.



Denna produkt är i enlighet med tillämpligt EG-direktiv.



Likström



Denna produkt uppfyller tillämplig lagstiftning i Storbritannien.

kg

Kilogram

V

Volt

IPX4

Skydd mot vattenstrålar

SPECIFIKATIONER

Spänning	56 V	
Bearbetningsbredd	61 cm	
Intagshöjd	51 cm	
Kastavstånd	13 m	
Hjulstorlek	38 cm	
Vikt	68 kg	
Rekommenderad drifttemperatur	-20°C-10°C	
Rekommenderad förvaringstemperatur	-20°C-70°C	
Uppmätt ljudeffektnivå L_{WA}	96,61 dB(A) K=1,6 dB(A)	
Ljudtrycksnivå vid operatörens öra L_{PA}	82,5 dB(A) K=4 dB(A)	
Garanterad ljudtrycksnivå L_{WA} (uppmätt enligt 2000/14/EG)	98 dB(A)	
Värdering av vibration a_{rt} :	Vänster handtag	0,3 m/s ² K=1,5 m/s ²
	Höger handtag	0,4 m/s ² K=1,5 m/s ²

SE

BESKRIVNING

LÄR KÄNNA DIN SNÖBLÅS (bild A1 och A2)

- Sidoskena
- Batteritäckning
- Batterifack
- Hjul
- Medar
- LED-strålkastare
- Täckning
- Rengöringsverktyg utkastare
- Snöutkastarränna
- Utkastarriktare
- Bakre handtag
- LED sidobelysning
- Gasreglage matarskruv
- Huvudhandtag
- Kontrollspak - hastighet matarskruv
- Säkerhetsknapp
- Självdrivande systemets hastighetskontrollspak
- Självdrivande systemets avtryckare
- Huvudhandtag
- LED-lampknapp
- LED-indikator

- Utkastare - vridningshandtag
- Utkastare - riktningshandtag
- Matarskruv
- Skrapskena
- Låsknapp för batteriet
- Elektriska kontakter

PACKLISTA (BILD A3)

MONTERING

MONTERING/LOSSA HJUL

- Placera snöslungan enligt bild B för enklare montering.
- Ta bort den yttre packningen och hjulets låsstift från axeln.
- Sätt samman hjulet och den yttre packningen. Lås dem med hjulets låsstift.

Uppmärksamma: Kontrollera hjulet innan installation för att se till att pilen på hjulet är riktad framåt (bild B).

B-1	Yttre packningen	B-2	Hjullåsstift
-----	------------------	-----	--------------

INSTALLERA HANDTAGSMONTAGET

NOTERA: Handtagsmontaget måste monteras innan snöslungan används (bild C1)

C-1	Låsratt	C-2	Handtagsmontage
-----	---------	-----	-----------------

Lossa den fyra låsrattarna och dra ut bultarna. Spara dem för återmontering.

Välj en komfortabel arbetsposition enligt din längd (bild C2). Handtagsmontaget kan ställas in på tre olika höjder. (Bild C3 och bild C4 och bild C5)

Övre arbetspositionen såsom bild C3

Mellersta arbetspositionen enligt bild C4

Nedre arbetspositionen enligt bild C5

INSTALLERA SNÖUTKASTARRÄNNANS MONTAGE

⚠ VARNING: Arbeta aldrig med snöslungan utan att hela utkastarrännan finns på plats.

- Lossa ratten för den inre stödstången och ta bort bulten (bild D1). Spara ratten och bulten för återmontering.

D-1	Snöutkastarränna	D-2	Yttre stödstång
D-3	ratt	D-4	Inre stödstång
D-5	Bas	D-6	Bult

2. Lyft snöutkastarrännans montage, rikta in den yttre stödstången med den inre stödstången så att den yttre stödstången glider på plats. Se till att snöutkastarrännan sitter fast på basen (bild D2).
3. Fäst snöutkastarrännan med den reserverade ratten och bulten.
4. Med inriktningkabelreglaget kan kraften hos utkastaren ändras med vridhandtaget, du kan minska kraften genom att vrida på inriktningkabelreglaget lätt moturs (bild D2). Omvänt kommer kraften att öka om den vrids i motsatt riktning. Notera att snöutkastaren kommer att driva åt vänster/höger under användning och den sitter alltför löst.

DRIFT

FÖR ATT MONTERA/TA BORT BATTERIPAKETET

LADDA INNAN FÖRSTA ANVÄNDNING.

Använd endast med batteripaket och laddare som listas i bild A4

NOTERA: För bästa prestanda rekommenderar vi användning med två 5,0 Ah EGO 56V Arc-litiumbatterier eller med två EGO 56V Arc-litiumbatterier med större kapacitet.

När den inte används skall 56V batteripaket förvaras i ett slutet område där temperaturen inte sjunker under -20 °C. Optimal laddningstemperaturer är mellan 5 °C och 40 °C.

Fastsättning

Skjut batteripaketet in i batterifacket tills du hör ett "klick". (BILD E1)

Borttagning

Tryck ned batterilåsknappen i batterifacket. (BILD E2)

NOTERA: Se till att haken på snöslungan snäpper på plats och att batteripaketet sitter fast i enheten innan arbetet påbörjas.

STARTA/STOPPA SNÖSLUNGAN

⚠ FÖRSIKTIGHET: Försök inte att åsidosätta funktionen hos säkerhetsknappen.

⚠ VARNING: Se till att andra personer och djur håller sig minst 30 m från snöslungan när den används.

⚠ VARNING: Matarskruvsnen fortsätter att rotera i några sekunder efter det att snöslungan stängts av. Låt matarskruvsnen sluta rotera innan den startas igen.

UPPMÄRKSAMMA: Växla inte snabbt mellan på och av med snöslungan.

Starta snöslungan

1. Se till att handtagsmontaget är säkert inställt på lämplig höjd, sidoutkastarrännan är korrekt monterad, rännan och utkastarriktaren är inställd i lämplig position.
2. Sätt i batteripaketet i snöslungan och stäng batterilocket.
3. Tryck på säkerhetsknappen (A-16) och håll kvar i en sekund och LED-indikatorn (A-21) kommer att blinka grön. Tryck på matarskruvsnens gasreglage (A-13) för att slå på snöslungan medan LED-indikatorerna blinkar

UPPMÄRKSAMMA: Snöslungan kan endast slås på med matarskruvsnens gasreglage när LED-indikatorerna blinkar.

UPPMÄRKSAMMA: Snöslungan kanske inte startar ordentligt om batteriernas temperatur är -20 °C eller lägre. Om snöslungan inte startar, ta bort batteriet från snöslungan och värm det inomhus i 10 minuter eller längre. Sätt tillbaka batteriet och försök igen.

Stanna snöslungan

Släpp gasreglaget för matarskruvsnen helt.

NOTERA: Den elektriska bromsen i den automatiska bromsmekanismen kommer att stoppa matarskruvsnens rotation inom tre sekunder efter att gasreglaget för matarskruvsnen släppts.

Variabel hastighetssystem för matarskruvsnen

Hastigheten hos matarskruvsnen kan justeras för att kontrollera hur långt snön kastas.

För att öka/minska hastigheten, skjut matarskruvsnens gasreglage (A-15) framåt/bakåt.

Självgående system med variabel hastighet

Denna snöslunga är utrustad med variabel självdrivande hastighet. Den är beroende på matarskruvsnens rotation.

För att driva systemet utan matarskruvsnens rotation, tryck på självgående avtryckaren (A-18) till handtaget. För att öka hastigheten, flytta självdrivande systemets hastighetskontrollspak (A-17) framåt. För att minska hastigheten, flytta den självgående hastighetskontrollspaken bakåt.

För att stänga av självdrivande funktionen, släpp självgående avtryckaren.

SE

För att flytta snöslungan bakåt, stoppa först den självgående funktionen, dra självgående hastighetskontrollspaken till positionen REVERSE, tryck sedan på självgående avtryckaren.

UPPMÄRKSAMMA: Hastigheten är fast när snöslungan används backande med självgående funktion, hastighetskontrollspaken kan inte ändra hastigheten vid backning.

UPPMÄRKSAMMA: Snöslungan kan inte ändras till bakåtgående när självdrivande funktionen körs framåt.

GASREGLAGE MATARSKRUV OCH SJÄLVDRIVANDE AVTRYCKARLÄNKNING

SE

När det självdrivande systemets avtryckare (A-18) och gasreglaget för matarskruv (A-13) är intryckta samtidigt släpp gasreglaget för matarskruv (höger hand), gasreglaget för matarskruv kommer att förbli aktiverat. Denna funktion gör att du kan justera matarskruvens hastighet, självdrivande hastigheten och utkastarriktningen för snön medan matarskruv roterar.

För att stoppa matarskruv, släpp det självdrivande systemets avtryckare, både matarskruv självdrivande funktionen kommer att stanna.

JUSTERING AV UTKASTARRÄNNAN OCH UTKASTARRIKTAREN

Rännan kan ställas in med både riktning och avstånd för utkastning av snö för att hjälpa dig att förflytta snö från ett område till ett annat.

Riktning för snöborttagning kan ställas in upp till 100° och vänster och 100° åt höger

Dra utkastarens vridningshandtag (A-22) åt vänster/höger för att vrida utkastaren åt vänster/höger.

Kastavståndet för snöslungan kan ställas in genom att flytta utkastarriktaren upp eller ned.

För att öka eller minska avståndet som snön kastas iväg, dra utkastarriktarens handtag (A-23) bakåt eller framåt för att höja eller sänka utkastarriktaren (A-10). När önskad position för utkastarriktaren hittats, aktivera handtaget för utkastarriktaren i låsöppningen (F-1) (bild F).

HANTERING AV LED-SIDOLJUSEN (A-12) OCH STRÅLKASTAREN (A-6)

Tryck på LED-ljusknappen en gång för att slå på både sidoljusen och strålkastaren.

Tryck på LED-ljusknappen två gånger för att stänga av sidoljusen.

Tryck på LED-ljusknappen tre gånger för att stänga av alla lamporna.

UPPMÄRKSAMMA: Alla LED-lampor kommer att stängas av automatiskt om snöslungan inte arbetar under fem minuter.

LED-INDIKATOR (A-21) PÅ SNÖSLUNGAN

Snöslungan är utrustad med en LED-indikator för att indikera laddningsstatusen hos batteripaketet och arbetsstatusen för snöslungan.

LED-INDIKATOR	Innebörd	Åtgärd
Lyser grönt	Snöslungaren arbetar korrekt, varje batteri har minst 15 % av dess laddning kvar.	inte tillämpligt
Blinkar rött	Batteriet är nästa helt tomt	Stoppa snöslungan och ladda batteripaketet
Blinkar grön och röd alternerande	Fel	Kontakta EGO Kundtjänst
Lyser orange	Snöslungan stannar på grund av överhettning.	Ta bort batteripaketet från snöslungan, flytta det till skuggan och låt det svalna i minst 15 minuter
Blinkar orange	Snöslungan är överladdad	Ta först bort batteripaketet, kontrollera sedan och rengör om snö har samlas bakom täckningen. Sakta ned farten när du förflyttar snö. Om detta inte fungerar, kontakta EGO kundtjänst.

OFF och LED på batteriet blinkar	Batteriet överhettat. (Se sektionen "SKYDD HÖG BATTERITEMPERATUR" i denna manual)	Ta bort batteriet från snöslungan och vänta tills batteripaketet kylts ned till ungefär 67 °C, sätt sedan tillbaka batteriet och starta sedan om snöslungan.
----------------------------------	--	--

SNÖSLUNGA ÖVERBELASTNINGSSKYDD

Din snöslunga har ett inbyggt avkänningsselement för överbelastning. När snöslungan blir överbelastad kommer motorn att sänka hastigheten automatiskt och du kommer att höra att motorljudet minskar. Sakta ned farten eller smalna av ytan som rengörs, motorn kommer sedan att automatiskt återgå till dess normala inställning. Om denna åtgärd inte löser överbelastningssituationen, kommer sensorn att automatiskt stänga av motorn och LED-indikatorn på snöslungan kommer att blinka orange. Ta bort batteripaketet från snöslungan, vänta 10 sekunder och kontrollera om det finns snö eller is som fastnat i matarskruv eller täckningen. Om så behövs, följ instruktionerna för "Rengöring av igensatt utkastare". Sätt tillbaka batteriet och starta om snöslungan.

RENGÖRING AV IGENSATT UTKASTARE

⚠ VARNING: Använd alltid utkastarens rengöringsverktyg (A-8) som är bifogad maskinen som ett tillbehör, använd inte handen.

SKYDD HÖG BATTERITEMPERATUR

Batteripaketet kommer att generera värme under drift. Värmen försvinner långsammare vid varmt väder. Om batteritemperaturen överstiger 70 °C under drift kommer skyddskretsen omedelbart att stänga av snöslungan för att skydda batteripaketet från värmeskador. Statusindikatorn på snöslungan slocknar, beträffande LED på batteriet, se sektionen "BATTERISKYDD" batteriets bruksanvisning för detaljer. Släpp omkopplaren, vänta tills batteripaketet kylts ned till ungefär 67 °C, starta sedan om snöslungan.

ANVÄNDNINGSTIPS

⚠ FARA: Använd aldrig en snöslunga på frusna sjöar, floder eller liknande ytor. Dödsfall eller allvarliga skador kan uppstå om isen bryter.

⚠ FARA: Använd aldrig snöslungan på ett tak eller annan instabil yta då det kan resultera i dödsfall eller allvarliga personskador.

⚠ VARNING: Använd inte snöslungan på is, vilken kan göra att användaren halkar och faller vilket kan resultera i allvarliga personskador.

⚠ VARNING: Bär inte löst sittande kläder, halsdukar eller smycken. De kan fastna i rörliga delar och orsaka dödsfall eller allvarliga personskador.

⚠ VARNING: Ha snöutkastaren riktad bort från alla elektriska enheter för att minska risken för dödsfall med elektricitet eller elektriska stötar.

⚠ VARNING: Rikta inte snöslungan eller utkastarrännan mot personer eller husdjur. Snö eller föremål som kastas iväg kan orsaka allvarliga personskador.

⚠ VARNING: Se till att området som skall rensas är fritt från stenar, pinnar, ledningar, grus och andra föremål som oavsiktligt kan kastas iväg av snöslungan i någon riktning och orsaka allvarliga personskador hos operatören eller andra.

- Om enheten kommer i kontakt med någon typ av hinder eller skräp under användningen, stoppa snöslungan, ta bort batteripaketet, ta bort hindret och inspektera enheten noga om där finns skador innan du fortsätter.

⚠ VARNING: Sträck dig aldrig in i utkastarrännan eller placera någon del av kroppen framför snöslungan medan enheten krös eller när batteripaketet är installerat. Se alltid till att alla rörliga delar har stannat och att batteripaketet har tagits bort innan något hinder tas bort. Underlåtenhet att följa dessa instruktioner kan resultera i allvarliga personskador.

- Uppmärksamma vindriktningen innan du börjar. När så är möjligt, kasta snön i samma riktning som vinden blåser för att förhindra att snö kastas tillbaka i ditt ansikte.
- Vissa delar på snöslungan kan frysa under extrema väderförhållanden. Försök inte att använda enheten om den har frysta delar.
- När arbetet är klart, låt motorn köras i ytterligare några minuter för att förhindra att rörliga delar fryser, vrid sedan rännans rotationshandtag fram och tillbaka några gånger för få bort ansamlad is. Se till att rensa bort all snö och is från basen på rännan.

SE

- Vid snöväder och kalla väderförhållanden kan vissa kontroller och rörliga delar frysa. Använd inte kraft för att föröka använda frysta kontroller. Om du har problem med att hantera några kontroller eller delar, starta maskinen såsom sektionen "STARTA/STOPPA SNÖSLUNGAN" visar och låt den köra några minuter.

UNDERHÅLL

ALLMÄNT UNDERHÅLL

Använd inte lösningsmedel när du rengör plastdelarna. De flesta plaster är känsliga för skador från olika typer av kommersiella lösningsmedel och kan skadas av dess användning. Använd en ren trasa för att ta bort smuts, damm, olja, fett osv.

SMÖRJA MASKINEN

Alla lager i denna produkt är smorda med tillräcklig mängd höggradigt smörjmedel för enhetens livslängd under normala driftförhållanden. Därför behövs ingen ytterligare smörjning av lagren.

BYTE OCH JUSTERING AV MEDARNA

1. Ta bort batteriet.
2. Lossa och ta bort muttrarna, packningen och meden från skruvarna (bild G1).
3. Byt meden mot en ny om så behövs.
4. Höjden på meden kan justeras enligt de verkliga snöförhållandena utan att helt ta bort muttrarna, lossa dem bara och justera meden och dra sedan åt igen (bild G2).

BYTA UT SAXPINNEN

Saxpinnarna är placerade på matarskruvens axel (bild H1). De hjälper till att absorbera vridmomentet vid direktstopp när matarskraven träffar ett hinder under arbetet och skyddar växellådan och motorn från skador.

H-1	Matarskruvaxel	H-2	Saxpinne
-----	----------------	-----	----------

För att byta saxpinnarna, ta bort batteriet, ta bort den trasiga saxpinnen från matarskruvens axel och sätt tillbaka dem med nya bultar.

UPPMÄRKSAMMA: Två ytterligare saxpinnar finns förvarade på rännmontaget, byt mot nya om originalet är trasiga. (Bild H2).

FÖRVARA SNÖSLUNGAN

⚠ FÖRSIKTIGHET: Se till att all smält snö som kan droppa från snöslungan torkas bort för att förhindra risken för att halka och ramla.

- Ta bort batteripaketet och förvara det på annan plats utom räckhåll för barn.

Innan förvaring, torka bort all fukt, smuts eller skräp från batteriområdet.

- Torka snöslungan med en ren och torr trasa.
- Kontrollera alla muttrar, bultar, vred, skruvar etc. att de är åtdragna.
- Inspektera rörliga delar om de är skadade, spräckta eller slitna. Reparera alla skadade delar och ersätt delar som saknas.
- Förvara snöslungan på en ren, torr och sluten plats utom räckhåll för barn.
- Förvara det inte nära korrosiva material, såsom gödningsmedel eller bergssalt.

Skydda miljön



Kassera inte elektriska apparater som osorterat kommunalt avfall, lämna in till närmaste återvinningsstation.

Kontakta de lokala myndigheterna för information beträffande tillgängliga insamlingssystem.

Om elektriska apparater kasseras på avfallsupplag eller soptippar kan farliga ämnen läcka ut i grundvattnet och tränga in i livsmedelskedjan och skada din hälsa och välbefinnande.

FELSÖKNING

⚠ VARNING: Ta alltid bort batteripaketet vid service eller transport av snöslungan. Skydda alltid dina händer genom att använda kraftiga handskar när underhåll utförs på snöslungans utkastare eller skrapskena.

PROBLEM	ORSAK	LÖSNING
Snöslungan startar inte.	<ul style="list-style-type: none"> ■ Batteriladdningen är låg. ■ Matarskruvens avtryckare är inte nedtryckt när LED-indikatorn blinkar grön. ■ Matarskruv är fryst med snö eller is. ■ Batteriet är överhettat. LED-indikatorn på batteriet blinkar orange eller lyser röd (se sektionen "SKYDD HÖG BATTERITEMPERATUR" i denna manual). 	<ul style="list-style-type: none"> ■ Ladda batteriet. ■ Tryck på gasreglaget för matarskruv när LED-indikatorn blinkar. Om LED-indikatorn slutar blinka svarar inte snöslungan på tryckning på gasreglaget för matarskruv. ■ Ta först bort batteripaketet, använd medföljande rengöringsverktyg för utkastaren för att ta bort snö eller is som hindrar matarskruv. Starta om snöslungan. ■ Ta bort det överhettade batteriet från snöslungan och vänta till batteripaketet svalna till ungefär 67 °C, sätt sedan tillbaka batteriet och starta om snöslungan.
Motorn är påslagen med matarskruv snurrar inte.	<ul style="list-style-type: none"> ■ Saxpinnen är av. 	<ul style="list-style-type: none"> ■ För att byta ut saxpinnen, följ avsnittet "BYTA SAXPINNEN" i denna manual.
LED-lampknappen är känslig för första tryckningen.	<ul style="list-style-type: none"> ■ Den interna självkontrollprocessen orsakar en lätt svarsfördröjning vid första knapptryckningen. 	<ul style="list-style-type: none"> ■ Tryck på LED-lampknappen och håll kvar i en sekund.
LED-indikatorn på batteriet fortsätter lysa efter att snöslungans matarskruv slutat arbeta eller självdrivningssystemet stängs av.	<ul style="list-style-type: none"> ■ Den elektriska kretsen är i standby-läge för nästa omstart. LED kommer att slockna automatiskt om snöslungan inte används under fem till 10 minuter. 	<ul style="list-style-type: none"> ■ Lämna den eller ta bort batteriet från batterifacket.

SE

GARANTI

Besök webbsidan egopowerplus.eu för fullständiga villkor för EGO garantipolicy.

LUE KAIKKI OHJEET!

Käyttötarkoitus: Lumen puhdistamiseen esimerkiksi ajoteiltä ja jalkakäytäviltä.

VAROITUS: Lue ja ymmärrä tämän käyttöoppaan kaikki turvallisuusohjeet, mukaan lukien kaikki turvallisuusvaroitussymbolit, kuten "VAARA", "VAROITUS" ja "HUOMIO" ennen laitteen käyttämistä. Alla olevien ohjeiden noudattamatta jättäminen saattaa aiheuttaa sähköiskun, tulipalon ja/tai vakavan henkilövahingon.

VAROITUS: Minkä tahansa sähkötyökalun käyttö saattaa aiheuttaa vierasesineiden sinkoutumisen silmiin, mikä voi aiheuttaa vakavia silmävammoja. Käytä aina suojalaseja tai sivusuojilla varustettuja suojalaseja tai tarvittaessa kokonaamaria, kun käytät sähkötyökalua. Silmälasien päällä suosittelemme käytettäväksi suojamaskia, jossa on laaja näkökenttä, tai tavallisia suojalaseja, joissa on sivusuojat.

TURVALLISUUSSYMBOLIT

FI



Turvallisuushälytys



Käyttäjän on luettava ja ymmärrettävä käyttöoppas ennen tämän laitteen käyttöä loukkaantumista varten vähentämiseksi.



Pidä jalat ja kädet etäällä



Käytä aina suojalaseja tai sivusuojilla varustettuja suojalaseja ja kokonaamaria, kun käytät tätä tuotetta.



HUOMIO: Älä tuijota käyttövaloa.



VAARA – sammuta moottori ennen poistokurin tukoksen poistamista. Pienennät loukkaantumista varten pitämällä kätesi ja jalkasi etäällä pyörivistä osista. Älä koskaan puhdistatukoksia käsin moottorin sammuttamisen jälkeen.



Pidä jalat etäällä juoksupyörästä



Vanhoja sähkölaitteita ei saa hävittää kotitalousjätteen mukana. Vie laite valtuutettuun kierrätyslaitokseen.



Taattu äänitehotaso. Melupäästöt ympäristöön Euroopan yhteisön direktiivin mukaiset.



Tämä tuote vastaa sovellettavia EU-direktiivejä



Tasavirta



Tämä tuote on Yhdistyneen kuningaskunnan lainsäädännön mukainen.

kg Kilogramma

V Voltti

IPX4 Suojaus vesisuihkuja vastaan

TEKNISET TIEDOT

Jännite	56 V	
Puhdistusleveys	61 cm	
Poistokorkeus	51 cm	
Heittoetäisyys	13 m	
Pyörän koko	38 cm	
Paino	68 kg	
Suosittelu käyttölämpötila	-20–10°C	
Suosittelu säilytyslämpötila	-20–70°C	
Mitattu äänitehotaso L_{WA}	96,61 dB(A) K=1,6 dB(A)	
Äänenpaineen taso käyttäjän korvien tasolla L_{PA}	82,5 dB(A) K=4 dB(A)	
Taattu äänen tehotaso L_{WA} (mitattu 2000/14/EY:n mukaisesti)	98 dB(A)	
Tärinäarvo a_n :	Vasen kahva	0,3 m/s ² K=1,5 m/s ²
	Oikea kahva	0,4 m/s ² K=1,5 m/s ²

KUVAUS

TUNNE LUMILINKOSI (kuva A1 ja A2)

- Sivutanko
- Akun kansi
- Akun lokero
- Pyörät
- Liukukenkä
- LED-etuvalot
- Kansi
- Kourun puhdistustyökalu
- Lumen poistokouru
- Kourun ohjauslevy
- Takakahva
- LED-sivuvalot
- Lumikierukan liipaisinkytkin
- Pääkahva
- Lumikierukan nopeuden säätövipu
- Turvapainike
- Itsevetonopeuden säätövipu
- Itsevetoliipaisin
- Pääkahva
- LED-valopainike
- LED-merkkivalo

- Kourun kääntökahva
- Kourun ohjauslevyn kahva
- Lumikierukka
- Kaavintanko
- Akun vapautuspainike
- Sähköliitännät

PAKKAUSLUETTELO (KUVA A3)

KOKOONPANO

PYÖRÄN ASENTAMINEN/IRROTTAMINEN

- Aseta lumilinko kuvan B mukaisesti, jotta asennus on helpompia.
- Irrota ulompi tiiviste ja pyörän lukitustappi akselistasta.
- Asenna pyörä ja ulompi tiiviste. Lukitse ne pyörän lukitustapilla.

Huomautus: Tarkista pyörä ennen asentamista ja varmista, että pyörän nuoli osoittaa eteenpäin (kuva B).

B-1	Ulompi tiiviste	B-2	Pyörän lukitustappi
-----	-----------------	-----	---------------------

KAHAVAKOKOONPANOON ASENTAMINEN

HUOMAA: Kahvakokoonpano täytyy asentaa ennen lumilingon käyttämistä (kuva C1)

C-1	Lukitusnuppi	C-2	Kahvakokoonpano
-----	--------------	-----	-----------------

Löysää neljä lukitusnuppia ja vedä pultit irti. Laita ne talteen takaisin asentamista varten.

Valitse mukava käyttöasento pituutesi mukaan (kuva C2). Kahvakokoonpano voidaan asettaa kolmeen eri korkeuteen. (Kuva C3 ja kuva C4 ja kuva C5)

Korkein käyttöasento, kuva C3

Keskikäyttöasento, kuva C4

Matalin käyttöasento, kuva C5

LUMEN POISTOKOURUN ASENTAMINEN

VAROITUS: Älä koskaan käytä lumilinkoa ilman paikoilleen asennettua poistokourua.

- Löysää sisemmän tukitangon nuppi ja irrota pultti (kuva D1). Laita nuppi ja pultti talteen takaisin kiinnittämistä varten.

D-1	Lumen poistokouru	D-2	Ulompi tukitanko
D-3	nuppi	D-4	Sisempi tukitanko
D-5	Jalusta	D-6	Pultti

2. Nosta lumen poistokouru, kohdista ulompi tukitanko sisempään tukitankoon ja liu'uta ulompi tukitanko paikalleen. Varmista, että lumen poistokouru asetuu jalustalle (kuva D2).
3. Kiinnitä lumen poistokouru talteen laittamalla nupilla ja puftilla.
4. Putkensisäisen vaijerin säätimellä voidaan muuttaa kourun kääntökahvan siirtovoimaa. Voit vähentää voimaa kiertämällä vaijerin säädintä hieman vastapäivään (kuva D2). Vastaavasti voima kasvaa kääntämällä sitä vastakkaiseen suuntaan. Huomaa, että lumen poistokouru ajautuu vasemmalle/oikealle käytön aikana, jos se on liian löysällä.

FI KÄYTTÖ

AKUN KIINNITTÄMINEN/IRROTTAMINEN

LATAA ENNEN ENSIMMÄISTÄ KÄYTTÖKERTAA.

Käytä vain kuvassa A4 lueteltujen akkujen ja latureiden kanssa

HUOMAUTUS: Suosittelemme käyttämään kahta 5,0 Ah EGO 56 V Arc-Lithium -akkuja tai kahta EGO 56 V Arc-Lithium -akkuja tai tehokkaampaa parhaan suorituskyvyn takaamiseksi.

Kun konetta ei käytetä, 56 V:n akut tulee säilyttää suljetussa tilassa, jonka lämpötila ei laske alle -20°C. Optimaalinen latauslämpötila on 5–40°C.

Liittäminen

Paina akkuja akkulokeroon, kunnes kuulet naksahduksen. (KUVA E1)

Poistaminen

Paina akkulokerossa olevaa akun vapautuspainiketta ja vedä akku ulos. (KUVA E2)

HUOMAA: Varmista, että lumilingon salpa napsahtaa paikalleen, ja että akku on turvallisesti kiinni laitteessa ennen kuin käytät laitetta.

LUMILINGON KÄYNNISTYS/SAMMUTUS

⚠️ HUOMIO: Älä yritä ohittaa turvapäinikkeen toimintaa.

⚠️ VAROITUS: Varmista, että muut ihmiset ja lemmikit ovat vähintään 30 m päässä lumilingosta, kun se on käytössä.

⚠️ VAROITUS: Lumikierukka pyörii vielä muutaman sekunnin ajan senkin jälkeen, kun lumilinko on sammutettu. Anna lumikierukan pysähtyä ennen kuin

käynnistät sen uudelleen.

HUOMAA: Älä sammuta ja käynnistä lumilinkoa nopeasti peräjälkeen.

Lumilingon käynnistäminen

1. Varmista, että kahvakokoonpano on oikein säädetty sopivalle korkeudelle, sivulla oleva poistokouru on asennettu oikein, kouru ja kourun ohjauslevy on asetettu oikeaan asentoon.
2. Liitä akku lumilingoon ja sulje akun kansi.
3. Paina turvapainiketta (A-16) ja pidä sitä painettuna 1 sekunnin ajan. LED-merkkivalo (A-21) vilkkuu vihreänä. Kytke lumilinko päälle painamalla lumikierukan kytkinliipaisinta (A-13), kun LED-merkkivalo vilkkuu

HUOMAA: Lumilingon voi kytkeä päälle lumikierukan kytkinliipaisimella vain, kun LED-merkkivalo vilkkuu.

HUOMAA: Lumilinko ei ehkä käynnisty kunnolla, jos akkujen lämpötila on -20 °C tai sen alle. Jos lumilinko ei käynnisty, poista akku lumilingosta ja anna akun lämmetä sisätilassa 10 minuuttia tai pitempään. Asenna akku takaisin ja yritä uudelleen.

Lumilingon pysäyttäminen

Vapauta lumikierukan kytkinliipaisin täysin.

HUOMAUTUS: Sähköinen jarru automaattisessa jarrumekanismissa pysäyttää lumikierukan pyörimisen 3 sekunnin kuluessa lumikierukan kytkimen vapauttamisesta.

Vaihtelevanopeuksinen lumikierukkajärjestelmä

Lumikierukan nopeutta voidaan säätää heittoetaisyyden asettamiseksi.

Nopeutta voidaan lisätä/vähentää, painamalla lumikierukan nopeuden säätövipun (A-15) eteenpäin/taaksepäin.

Vaihtelevanopeuksinen itsevetojärjestelmä

Tässä lumilingossa on vaihtelevanopeuksinen itsevetomahdollisuus. Se on erillään lumikierukan pyörimisestä

Jos haluat käyttää itsevetojärjestelmää ilman, että lumikierukka pyörii, vedä itsevetoliipaisinta (A-18) kahvaa kohti. Jos haluat lisätä nopeutta, siirrä itsevetonopeuden säätövipua (A-17) eteenpäin. Jos haluat vähentää nopeutta, siirrä itsevetonopeuden säätövipua taaksepäin.

Kun päästät irti itsevetoliipaisimen, itsevetotoiminto kytkeytyy pois päältä.

Voit siirtää lumilinkoa taaksepäin pysäyttämällä ensin itsevetotoiminnon. Vedä itsevetonopeuden säätövipu TAAKSEPÄIN-asentoon, paina sitten itsevetoliipaisinta.

HUOMAA: Nopeus on kiinteä, jos lumilinkoa käytetään taaksepäin itsevedolla. Nopeuden säätövipu ei voi muuttaa nopeutta taaksepäin.

HUOMAA: Lumilinkoa ei voi kytkeä liikkumaan taaksepäin, kun itsevetotoiminto vetää sitä eteenpäin.

LUMIKIERUKAN KYTKINLIIPAISIN JA ITSEVETOIMINNON YHTEYS

Kun itsevetoliipaisinta (A-18) ja lumikierukan kytkinliipaisinta (A-13) painetaan yhtä aikaa, vapauttaa lumikierukan kytkinliipaisin (oikeanpuolinen), lumikierukan kytkinliipaisin jää päälle. Tämä toiminto mahdollistaa lumikierukan nopeuden, itsevetonopeuden ja lumen poistosuunnan säätämisen lumikierukan pyöriessä.

Pysäytät lumikierukan vapauttamalla itsevetoliipaisimen, jolloin sekä lumikierukka että itsevetotoiminto pysähtyvät.

KOURUN JA OHJAUSLEVYN SÄÄTÄMINEN

Kourua voidaan säätää poistetun lumen heittosuunnan ja heittoetäisyyden muuttamiseksi. Lumen siirtäminen alueelta toiselle on silloin helpompaa.

Lumenpoistosuuntaa voidaan säätää vasemmalle 100° ja oikealle 100°

Käännä kourua vasemmalle/oikealle vetämällä kourun kääntökahvaa (A-22) vasemmalle/oikealle.

Lumilingon heittoetäisyys säädetään siirtämällä kourun ohjauslevyä ylöspäin tai alaspäin.

Voit lisätä tai vähentää lumen heittoetäisyyttä vetämällä kourun ohjauslevyn kahvaa (A-23) taaksepäin tai eteenpäin, jolloin kourun ohjauslevy (A-10) nousee tai laskee. Kun olet saavuttanut haluamasi kourun ohjauslevyn sijainnin, aseta kourun ohjauslevyn kahva lukittuun asentoon (F-1) (kuva F).

LED-SIVUVALOJEN (A-12) JA PÄÄVALOJEN (A-6) KÄYTTÄMINEN

Sytytät sekä sivuvalot että päävalot painamalla LED-valopainiketta kerran.

Sammutat sivuvalot painamalla LED-valopainiketta kaksi kertaa.

Sammutat kaikki valot painamalla LED-valopainiketta kolme kertaa.

HUOMAA: Kaikki LED-valot sammuvat automaattisesti, jos lumilinkoa ei käytetä 5 minuuttia.

LUMILINGON LED-MERKKIVALO (A-21)

Lumilingossa on LED-merkkivalo, joka näyttää akun lataustason ja lumilingon käyttötilan.

LED-MERKKIVALO	Merkitys	Toimenpide
Palaa vihreänä	Lumilinko toimii; akussa on latausta jäljellä vähintään 15 %	Ei ole
Vilkkuu punaisena	Akku on lähes tyhjä.	Pysäytä lumilinko ja lataa akku.
Vihreä ja punainen vilkkuvat vuorotellen	Virhe	Ota yhteyttä EGO:n asiakaspalveluun
Palaa oranssina	Lumilinko pysähtyy ylikuumentumisen vuoksi.	Poista akut lumilingosta, siirrä ne varjoon ja anna niiden jäähtyä vähintään 15 minuutin ajan.
Vilkkuu oranssina	Lumilinko on ylikuormittunut.	Poista ensin akku ja tarkista ja puhdista sitten lumi, jota on kertynyt kannen alle. Hidasta vauhtia, kun linkoat lunta. Jos se ei toimi, ota yhteys EGO:n asiakaspalveluun.
Ei pala ja akun LED vilkkuu	Akku on kuume-ntunut. (Katso tämän käyttöoppaan kohta "AKUN YLIKUUMEN-EMISSUOJAUS")	Poista akku lumilingosta ja odota, kunnes akku jäähtyy noin 67°C:een, asenna sitten akku takaisin ja käynnistä lumilinko uudelleen.

LUMILINGON YLIKUORMITUSSUOJAUS

Lumilingossa on sisäänrakennettuja ylikuormituksen tunnustuselementtejä. Kun lumilinko ylikuormittuu, moottori hidastaa automaattisesti nopeutta ja kuulet moottorin äänenvoimakkuuden pienenevän. Hidasta vauhtiiasi tai kavenna puhdistuslevyettä, jolloin moottorin nopeus palautuu automaattisesti normaaliiksi. Jos tämä korjaustoimenpide ei ratkaise ylikuormitustilannetta, anturi sammuttaa moottorin automaattisesti ja lumilingon LED-merkkivalo vilkkuu oranssina. Poista akku lumilingosta, odota 10 sekuntia. Tarkista, ettei lumilinkoon ja kanteen ole jäänyt lunta tai jäätä. Mikäli tarpeen, noudata kohdan ”Tukkeutuneen kourun puhdistus” ohjeita. Asenna akut takaisin ja käynnistä lumilinko uudelleen.

FI

TUKKEUTUNEEN KOURUN PUHDISTUS

VAROITUS: Käytä aina koneeseen lisävarusteena kiinnitettyä kourun puhdistustyökalua (A-8), älä käytä käsiä

AKUN YLIKUUMENEMISSUOJAUS

Akku lämpiiä käytön aikana. Lämpö haihtuu hitaammin kuumalla säällä. Jos akun lämpötila ylittää 70 °C käytön aikana, suojauspiiri sammuttaa lumilingon välittömästi suojatakseen akkua vahingoittumiselta. Lumilingon tilan merkkivalo sammuu. Katso lisätietoa akun LED-valosta akun käyttöoppaasta kohdasta ”AKUN SUOJAUS”. Vapauta sankakytin ja odota, kunnes akku jäähtyy noin 67°C:een ja käynnistä lumilinko sitten uudelleen.

KÄYTTÖVINKKEJÄ

VAARA: Älä koskaan käytä lumilinkoa jäässä olevien järvien, jokien ja vastaavien pintojen päällä. Jään rikkoutuminen voi aiheuttaa kuoleman tai vakavan henkilövahingon.

VAARA: Älä koskaan käytä lumilinkoa katolla tai muilla epävakailta pinoilla. Tämä voi johtaa kuolemaan tai vakavaan henkilövahinkoon.

VAROITUS: Älä käytä lumilinkoa jään päällä. Se voi aiheuttaa käyttäjän liukastumisen ja putoamisen, mikä voi aiheuttaa vakavan henkilövahingon.

VAROITUS: Älä käytä väljiä vaatteita, huiveja tai koruja. Ne voivat jäädä kiinni liukkuviin osiin ja aiheuttaa kuoleman tai vakavan henkilövahingon.

VAROITUS: Älä poista lunta kohti sähkölaitteita. Sähköiskun tai sähkötapaturman vaara.

VAROITUS: Älä osoita lumilingolla tai poistokourulla ihmisiä tai lemmikkejä. Sinkoutuva lumi ja muut esineet saattavat aiheuttaa vakavan henkilövahingon.

VAROITUS: Varmista, että puhdistettavalla alueella ei ole kiviä, keppejä, johtoja, soraä ja muita kohteita. Jos lumilinko heittää ne mihin tahansa suuntaan, se voi aiheuttaa vakavan henkilövahingon käyttäjälle tai muille.

■ Jos laite joutuu kosketuksiin esteiden tai roskien kanssa käytön aikana, pysäytä lumilinko, poista akku, poista esteet ja tarkista laite huolellisesti ennen käytön jatkamista.

VAROITUS: Älä koskaan kurkota poistokouruun tai aseta mitään ruumiinosaa lumilingon eteen, kun laite on toiminnassa tai akkuja asennetaan. Varmista aina, että kaikki pyörivät osat ovat pysähtyneet ja akut on poistettu ennen tukosten poistamista. Näiden ohjeiden noudattamatta jättäminen saattaa johtaa vakavaan henkilövahinkoon.

■ Huomioi tuulen suunta ennen aloittamista. Poista lumi mahdollisuuksien mukaan samaan suuntaan kuin tuuli, jotta lunta ei heitetä takaisin kasvoinhin.

■ Joskin lumilingon osat voivat jäätää äärimmäisissä sääolosuhteissa. Älä yritä käyttää laitetta, jos sen osat ovat jäässä.

■ Kun lopetat työskentelyn, anna moottorin käydä vielä muutaman minuutti, jotta liikkuvat osat eivät jäädy. Käännä sitten kourun kääntökahvaa eteenpäin ja taaksepäin useita kertoja, jotta vapautat sen jäädästä. Muista puhdistaa kaikki lumi ja jää kourun jalustasta.

■ Joskin säätimet ja liikkuvat osat voivat jäätää lumisissa ja kylmissä olosuhteissa. Älä käytä liikaa voimaa, kun yrität käyttää jäätäneitä säätimiä. Jos sinulla on vaikeuksia käyttää jotain säädintä tai osaa, käynnistä kone, kuten osiossa ”LUMILINGON KÄYNNISTÄMINEN JA PYSÄYTTÄMINEN”, ja anna koneen käydä muutaman minuutin ajan.

KUNNOSSAPITO

YLEINEN KUNNOSSAPITO

Vältä liuotainaineiden käyttöä, kun puhdistat muoviosia. Useimmat muovit ovat herkkiä vaurioitumaan erilaisista kaupallisista liuottimista ja voivat vaurioitua niiden käytöstä. Poista lika, pöly, öljy, rasva ym. puhtaalla liinalla.

KONEEN VOITELU

Kaikissa tämän tuotteen laakereissa on riittävä määrä korkealaatuista voiteluainetta, joka riittää tuotteen koko kestoajan normaaleissa käyttöolosuhteissa. Tästä syystä laakereiden lisävoitelua ei tarvita.

LIUKUKENKIEN ASENTAMINEN JA SÄÄTÄMINEN

1. Akkujen poistaminen
2. Löysää ja irrota mutterit, tiivisteet ja liukukenkä ruuveista (kuva G1).
3. Vaihda liukukenkä uuteen tarvittaessa.
4. Liukukenkän korkeutta voidaan säätää todellisten lumiolosuhteiden mukaan ilman, että muttereita tarvitsee irrottaa kokonaan. Löysää vain muttereita, säädä liukukenkän asento ja kiristä uudelleen (kuva G2).

MURTOSOKAN VAHTAMINEN

Murtosokat sijaitsevat lumikierukan varressa (kuva H1). Ne auttavat äkillisen pysähtymisvoiman vaimentamisessa, kun lumikierukka osuu esteisiin työskentelyn aikana ja suojaavat vaihdetta ja moottoria vaurioilta.

H-1	Lumikierukan varsi	H-2	Murtosokka
-----	--------------------	-----	------------

Kun vaihdat murtosokan, poista akut, poista rikkoutunut murtosokka lumikierukan varresta ja vaihda se uuteen ja vaihda pultit.

HUOMAA: Kaksi lisämurtosokkaa on kourukokoonpanossa. Vaihda uusi murtosokka, jos alkuperäinen on mennyt rikki. (Kuva H2).

LUMILINGON VARASTOINTI

⚠ HUOMIO: Varmista, että kaikki lumilingosta tippuva sulanut lumi on kunnolla pyyhitty liukastumisten ja kaatumisvaarojen välttämiseksi.

- Poista akku ja säilytä turvallisessa paikassa poissa lasten ulottuvilta.

Pyyhi akun alueelta kaikki kosteus, lika ja roskat ennen varastointia.

- Pyyhi lumilinko puhtaalla, kuivalla liinalla.
- Tarkista kaikkien muttereiden, pulttien, nuppien, ruuvien ym. kireys.
- Tarkista liikkuvat osat vaurioiden, rikkoutumisten ja kulumisen varalta. Korjauta vaurioituneet osat tai puuttuvat osat.
- Säilytä lumilinkoa puhtaassa, kuivassa, suljetussa paikassa poissa lasten ulottuvilta.
- Älä säilytä sitä syövyttävien materiaalien, kuten lannoitteiden tai tiesuolan, lähellä.

Ympäristönsuojelu



Älä hävitä sähkölaitteita lajittelemattomana talousjätteenä, käytä erillisiä keräilypisteitä.

Kysy tarkemmat tiedot jätteidenkeräyspisteistä paikallisilta viran-omaisilta.

Jos sähkölaitteita viedään kaatopaikalle, pohjaveteen saattaa vuotaa vaarallisia aineita ja päätyä sitä kautta ruokaketjuun. Tämä vahingoittaa terveyttäsi ja hyvinvointiasi.



VIANMÄÄRITYS

VAROITUS: Poista aina akku, kun huollat tai kuljetat lumilinkoa. Suojaa aina kätesi käsiineillä silloin, kun teet kunnossapitotöitä lumilingon lumikierukalle tai kaapijalle.

ONGELMA	SYY	RATKAISU
Lumilinko ei käynnisty.	<ul style="list-style-type: none">■ Akku voi olla tyhjä.■ Lumikierukan kytkinliipaisinta ei ole painettu silloin, kun LED-merkkivalo vilkkuu vihreänä.■ Lumikierukassa on jäätynyttä lunta tai jäätä.■ Akku on ylikuumennut. Akun LED-merkkivalo vilkkuu oranssina tai palaa punaisena (katso tämän käyttöoppaan osio "AKUN YLIKUUMENEMISSUOJAUS").	<ul style="list-style-type: none">■ Lataa akku.■ Paina lumikierukan kytkinliipaisinta, kun LED-merkkivalo vilkkuu. Jos LED-merkkivalo lakkaa vilkkumasta, lumilinko ei vastaa lumikierukan kytkinliipaisimen painallukseen.■ Poista ensin akku, käytä mukana tullutta kourun puhdistustyökälua lumikierukkaa estävän lumen tai jään poistamiseen. Käynnistä lumilinko uudelleen.■ Poista ylikuumennut akku lumilingosta ja odota, kunnes akku jäähtyy noin 67 °C:een, asenna sitten akku takaisin ja käynnistä lumilinko uudelleen.
Moottori on käynnissä, mutta lumikierukka ei käynnisty.	<ul style="list-style-type: none">■ Murtosokka on rikki.	<ul style="list-style-type: none">■ Vaihda murtosokka tämän käyttöoppaan osion "MURTOSOKAN VAIHTAMINEN" mukaisesti.
LED-valopainike ei tunnista ensimmäistä painallusta.	<ul style="list-style-type: none">■ Sisäinen itsetestausprosessi tarkistaa viiveen ensimmäisen painalluksen vasteessa.	<ul style="list-style-type: none">■ Pidä LED-valopainiketta painettuna 1 sekunnin ajan.
Akun LED-merkkivalojää päälle, kun lumilingon lumikierukka pysähtyy tai itsevetojärjestelmä kytkeytyy pois päältä.	<ul style="list-style-type: none">■ Sähköpiiri on valmiustilassa seuraavaa käynnistystä varten. LED sammuu automaattisesti, jos lumilinkoa ei käytetä 5–10 minuuttiin.	<ul style="list-style-type: none">■ Jätä se tai poista akku akkulokerosta.

TAKUU

Verkkosivustolta egopowerplus.eu löydät EGO:n takuukäytännön täydelliset ehdot.

80

AKKUKÄYTTÖINEN LUMILINKO 56 VOLTIN LITIUUMIONIAKULLA — SNT2400E

LES ALLE INSTRUKSJONER!

Tiltenkt bruk: Fjerner snø fra områder som innkjørler og fortau.

⚠ ADVARSEL: Sørg for at du har lest og forstått alle sikkerhetsanvisningene i denne bruksanvisningen, inkludert alle varsel-symboler som «**FARE**», «**ADVARSEL**» og «**FORSIKTIG**» før du bruker dette verktøyet. Hvis du ikke følger alle instruksjonene nedenfor kan det føre til elektrisk støt, brann og/eller alvorlig personskade.

⚠ ADVARSEL: Bruk av hvilke som helst elektroverktøy kan føre til at fremmedlegemer blir kastet mot øynene, noe som kan gi alvorlige øyeskader. Før du begynner å bruke elektroverktøyet, skal du alltid ta på vernebriller med sidebeskyttelse, og en full ansiktsskjerm der det trengs. Vi anbefaler en sikkerhetsmaske med bred visjon til bruk over briller, eller standard vernebriller med sidebeskyttelse.

SIKKERHETS SYMBOLER



Sikkerhetsadvarsel



For at risikoen for personskader skal unngås må brukeren lese og forstå bruksanvisningen før produktet tas i bruk.

NO



Hold hender og føtter på avstand



Bruk alltid vernebriller eller vernebriller med sidebeskyttelse, og full ansiktsskjerm når du bruker dette produktet.



FORSIKTIG: Ikke se direkte på lampen.



FARE - Slå av motoren før du tømmer utløpsrøret. Hold hender og føtter borte fra roterende deler for å redusere risikoen for persons-kader. Blokkeringer, skal bare fjernes når motoren er slått av og aldri for hånd.



Hold føttene utenfor løpehjul



Elektrisk avfall skal ikke kastes sammen med husholdningsavfall. Innlever ved en godkjent gjenvinningsstasjon.



Garantert lydeffektnivå. I henhold til det europeiske samfunns direktiv.



Dette produktet er i samsvar med gjeldende EF-direktiver.



Likestrøm



Dette produktet er i samsvar med gjeldende britisk lovgivning.



Kilogram



Volt



Beskyttelse mot vannstråler

SPESIFIKASJONER

Spenning	56 V	
Arbeidsbredde	61 cm	
Inntakshøyde	51 cm	
Kasteavstand	13 m	
Hjulstørrelse	38 cm	
Vekt	68 kg	
Anbefalt driftstemperatur	-20°C-10°C	
Anbefalt lagringstemperatur	-20°C-70°C	
Målt lydeffektnivå L_{WA}	96,61 dB(A) K=1,6 dB(A)	
Lydtrykknivå ved brukerens øre L_{PA}	82,5 dB(A) K=4 dB(A)	
Garantert lydeffektnivå L_{WA} (målt i henhold til 2000/14/EF)	98 dB(A)	
Vibrasjonsnivå $a_{h,v}$:	Venstre håndtak	0,3 m/s ² K=1,5 m/s ²
	Høyre håndtak	0,4 m/s ² K=1,5 m/s ²

NO

BESKRIVELSE

KJENN DIN SNØFRESER (Fig. A1 & A2)

- Sidespor
- Batterideksel
- Batterirom
- Hjul
- Bremsesko
- LED-frontlys
- Dekk
- Rengjøringsverktøy
- Snø-utslipp renne
- Rennedeffektor
- Bakre håndtak
- LED-sidelys
- Innmaterutløser
- Hovedhåndtak
- Hastighetsreguleringsspak for innmateria
- Sikkerhetsknapp
- Spak for selvgående hastighet-kontroll
- Propellutløser håndtak
- Hovedhåndtak
- LED lysbryter
- LED-indikator

- Renne rotasjonshåndtak
- Renne deflektorhåndtak
- Innmater
- Skrapestang
- Utløserknapp for batteri
- Elektriske kontakter

PAKKELISTE (FIG.A3)

MONTERING

MONTERING / FJERNING AV HJUL

- Plasser snøfreseren i henhold til fig. B for enklere montering.
- Fjern den ytre pakningen og hjul-låsepinnen fra akselen.
- Sett sammen hjulet og den ytre pakningen. Lås dem med hjul-låsepinnen.

Merk: Kontroller hjulet før installasjon for å forsikre deg om at pilen på hjulet peker fremover (fig. B).

B-1	Ytre pakning	B-2	Hjul-låsepinne
-----	--------------	-----	----------------

Å INSTALLERE HÅNDTAKSMONTERING

MERK: Håndtaksenheten krever montering før du bruker snøfreseren (Fig. C1)

C-1	Låsehåndtak	C-2	Håndtaksmontering
-----	-------------	-----	-------------------

Løsne de fire låseknappene og trekk ut boltene. Lagre dem for montering.

Velg en komfortabel driftsstilling etter høyden din (Fig. C2). Håndtaksenheten kan settes til tre forskjellige høyder. (Fig.C3 & Fig.C4 & Fig.C5)

Øvre driftsposisjon som fig. C3

Midtre driftsposisjon som Fig. C4

Lavere driftsposisjon som fig. C5

Å INSTALLERE SNØUTSLIPP RENNEMONTERINGEN

⚠ ADVARSEL: Bruk aldri snøfreseren uten at den fullstendige utløpsrennen er på plass.

- Løsne bryteren på den indre støttestangen og fjern boltene (Fig.D1). Lagre knappene og boltene for montering.

D-1	Snø-utslipp renne	D-2	Ytre støttestang
D-3	Knott	D-4	Indre støttepol
D-5	Sokkel	D-6	Bolt

2. Løft snø-utløpsrøret, rett inn den ytre støttestangen med den indre støttestangen for å skyve den ytre støttestangen på plass. Forsikre deg om at snøavgangsrøret sitter på sokkelen (fig. D2).
3. Sikre snøutløpsrøret med den reserverte knotten og boltene.
4. Med den innebygde kabelregulatoren kan du endre bevegelseskraften til sjaktrotasjonshåndtaket. Du kan redusere kraften ved å rotere den innebygde kabelregulatoren litt mot klokken (fig. D2). Omvendt vil kraften øke ved å vri den i motsatt retning. Vær oppmerksom på at snøutløpsrennen vil gli mot venstre / høyre under bruk hvis den er for løs.

OPERASJON

Å FESTE / FJERNE BATTERIPAKKEN

LAD OPP FØR FØRSTE GANGS BRUK.

Bruk bare sammen med batteripakker og ladere oppført i fig. A4

MERK: For best ytelse, anbefaler vi bruk med to 5,0 Ah EGO 56V Arc-Lithium-batterier eller med to EGO 56V Arc-Lithium-batterier med større kapasitet.

Når den ikke er i bruk, skal 56V batteripakker oppbevares i et lukket område der temperaturen ikke vil synke under -20°C . Optimal ladetemperatur er mellom 5°C og 40°C .

Slik setter du det på

Skyv batteripakken inn i batterirommet til du hører et «klikk». (FIG.E1)

Slik tar du det av

Trykk inn batteriutløserknappen i batterirommet. (FIG.E2)

MERK: Forsikre deg om at sperren på snøfreseren klikker på plass og at batteripakken(e) er festet til enheten før du begynner å bruke den.

START / STOPP SNØBLOMSTEN

⚠️ FORSIKTIG: Ikke prøv å overstyre bruken av sikkerhetsknappen.

⚠️ ADVARSEL: Forsikre deg om at andre mennesker og kjæledyr forblir minst 30 meter unna snøfreseren når den er i bruk.

⚠️ ADVARSEL: Innmateren fortsetter å rotere i noen få sekunder etter at snøfreseren er slått av. La Innmateren stoppe å rotere før du starter den igjen.

MERK: Ikke slå snøfreseren raskt av og på.

Å starte snøfreseren

1. Forsikre deg om at håndtakets montering er riktig justert til passende høyde, sideutløpets utløpsrenne er montert ordentlig, renner og avløpsavleder er justert til en passende stilling.
2. Sett batterien(e) i snøfreseren og lukk batteridekselet.
3. Trykk på sikkerhetsknappen (A-16) og hold den inne i 1 sekund, og LED-indikatoren (A-21) blinker grønt. Trykk på innmaterutløser (A-13) for å slå på snøfreseren mens LED-indikatoren blinker

MERK: Snøfreseren kan bare skrues på ved hjelp av innmaterutløseren på skruetryteren når LED-indikatoren blinker.

MERK: Det kan hende at snøfreseren ikke starter ordentlig hvis batteriets temperatur er -20°C eller mindre. Hvis snøfreseren ikke starter, må du fjerne batteriet fra snøfreseren og la det varme innendørs i 10 minutter eller lenger. Sett inn batteriet på nytt og prøv igjen.

Å stoppe snøfreseren

Slipp innmaterutløseren helt.

MERK: Den elektriske bremsen i den automatiske bremsemekanismen vil stoppe innmaterens rotasjon innen 3 sekunder etter at innmaterutløseren slippes.

Variabel Innmater hurtighetssystem

Innmaterens hastighet kan justeres for å kontrollere kasteavstanden.

For å øke / senke hastigheten, skyv hastighetsreguleringsspaken for innmateren (A-15) fremover / bakover.

Variabel-hastighet selvgangssystem

Denne snøfreseren er utstyrt med selvgående drivkraft med variabel hastighet. Den er uavhengig av innmaterrotasjonen.

For å betjene selvkjøringssystemet uten innmaterrotasjon, trykk på selvkjøringsutløseren (A-18) til håndtaket. For å øke hastigheten, beveg selvkjøringshastigheten (A-17) fremover. For å redusere hastigheten, flytt den selvdrevne hastighetskontrollspaken bakover.

For å slå selvkjøringsfunksjonen av, slipp selvkjøringsutløseren.

NO

For å flytte snøfreseren bakover, må du først stoppe selvkjøringsfunksjonen; trekk den selvdrivne hastighetskontrollspaken til REVERS posisjon, og trykk deretter på selvutløseren.

MERK: Hastigheten er fast når du bruker snøfreseren i revers med selvgående; hastighetskontrollspaken kan ikke endre hastigheten i revers.

MERK: Snøfreseren kan ikke skiftes til å bevege seg bakover mens selvkjørende funksjon beveger den fremover.

INNMATERUTLØSER OG SELVGÅENDE TRIGGERLINKING

Når den selvkjørende avtrekkeren (A-18) og innmaterutløseren (A-13) trykkes på samtidig, slipper du innmaterutløser (høyre hånd), innmaterutløseren vil forbli engasjert. Denne funksjonen lar deg justere innmaterhastigheten, den selvgående hastigheten og uttaksretningen til snøen mens innmateren roterer

For å stoppe innmateren, slipp selvkjøringsutløseren, både innmateren og selvkjøringsfunksjonen vil stoppe.

JUSTERING AV RENNEN OG DEFLEKTOREN

Rennen kan justeres for å endre både retningen og avstanden til den uttømte snøen for å hjelpe deg med å flytte snø bort fra et område og plassere det i et annet.

Retningen for snøfjerning kan justeres opp til venstre 100 ° og høyre 100 °

Trekk renne-rotasjonshåndtaket (A-22) til venstre / høyre for å rotere renneren til venstre / høyre.

Kasteavstanden til snøfreseren justeres ved å flytte utløpsavlederens opp eller ned.

For å øke eller redusere avstanden som snøen kastes, trekker du utløpsavlederens (A-23) bakover eller fremover for å heve eller senke utløpsavlederens (A-10). Når du er kommet til ønsket utløpsposisjon, må du skyve rennedeflektorens håndtak inn i låsesporet (F-1) (fig. F).

LED SIDELYS (A-12) OG HODELYKTER (A-6) DRIFT

Trykk på LED-lampeknappen en gang for å slå på både sidelysene og frontlyktene.

Trykk på LED-lampeknappen to ganger for å slå av sidelysene.

Trykk på LED-lampeknappen tre ganger for å slå av alle lysene.

MERK: Alle LED-lampene slukkes automatisk hvis snøfreseren ikke blir brukt innen 5 minutter.

LED-INDIKATOR (A-21) PÅ SNØBLÅSEREN

Snøfreseren er utstyrt med en LED-indikator for å indikere lade nivået til batterien(e) og snøfreseren.

LED-INDIKATOR	Betydning	Handling
Lyser grønt	Snøfreseren fungerer som den skal; hvert batteri har minst 15% av ladingen.	n/a.
Blinker rødt	Batteriet er nesten tomt.	Stopp snøfreseren og lad batteripakken(e).
Blinker grønt og rødt vekselvis	Feil	Ta kontakt med EGOs kundeservice.
Lyser oransje	Snøfreseren stopper på grunn av overoppheting.	Fjern batteriene fra snøfreseren, flytt dem til skyggen og avkjøl dem minst 15 minutter.
Blinkende oransje	Snøfreseren er overbelastet.	Fjern først batteripakken, så sjekk og rengjør om det har samlet seg snø under dekket. Ro ned tempoet ditt når snøen beveger seg. Hvis dette ikke fungerer, kan du kontakte EGO kundesenter.
AV & LED på batteriet blinker	Batteriet overopphetes. (Se avsnittet "BATTERI HØYTEMPERATURBESKYTTELSE" i denne håndboken)	Fjern batteriet fra snøfreseren og vent til batteripakken er avkjølt til omtrent 67 ° C, sett deretter inn batteriet på nytt og start snøfreseren på nytt.

NO

OVERBELASTNINGSVERN PÅ SNØFRESEREN

Snøfreseren din har innebygde elementer for overbelastning. Når snøfreseren er overbelastet, reduserer motoren hastigheten automatisk, og du vil høre volumet på motoren synke. Sakter tempoet ditt eller smal ryddebredden, så vil motorhastigheten automatisk gjenoppta sin normale innstilling. Hvis dette middelet ikke løser overbelastningssituasjonen, vil sensoren slå av motoren automatisk og LED-indikatoren på snøfreseren blinker oransje. Fjern batteripakken(e) av snøfreseren, vent 10 sekunder og sjekk om det er snø eller is fast i innmaterialet og dekket. Følg om nødvendig instruksjonene for "Tømme et tilstoppet utløp". Sett inn batteriene på nytt, og start snøfreseren på nytt.

RENGJØRING AV FORTETTET RENNE

⚠ ADVARSEL: Bruk alltid rensenlegget (A-8) som er festet til maskinen som tilbehør, ikke bruk hånden.

HØY-TEMPERATUR BESKYTTELSE AV BATTERIET

Batteripakken vil generere varme under bruk. Varmen forsvinner saktere i varmt vær. Hvis batteritemperaturen overstiger 70 °C under drift, vil beskyttelseskretsen umiddelbart slå av snøfreseren for å beskytte batteripakken mot varmeskade. Statusindikatoren på snøfreseren vil slå seg av, om LED på batteriet. Se avsnittet "BATTERIBESKYTTELSE" i batteriets brukerhåndbok for detaljer. Slipp kausjonsbryteren, vent til batteripakken er avkjølt til omtrent 67 °C, og start deretter snøfreseren på nytt.

TIPS FOR BETJENING

⚠ FARE: Bruk aldri snøfreser på frose innsjøer, elver eller lignende overflater. Død eller alvorlig personskade kan oppstå hvis isen går i stykker.

⚠ FARE: Bruk aldri snøfreseren på taket eller på andre ustabile overflater, noe som kan føre til død eller alvorlig personskade.

⚠ ADVARSEL: Ikke bruk snøfreser på is, noe som kan føre til at føreren sklir og faller, noe som kan føre til alvorlig personskade.

⚠ ADVARSEL: Ikke bruk løse klær, skjerf eller smykker. De kan bli fanget i bevegelige deler og forårsake død eller alvorlig personskade.

⚠ ADVARSEL: Hold all snøutladning vendt bort fra alle elektriske apparater for å redusere risikoen for elektrisk støt.

⚠ ADVARSEL: Rett aldri snøfreseren eller utløpskanalen i retning mennesker eller kjæledyr. Kastet snø eller andre gjenstander kan forårsake alvorlige personskader.

⚠ ADVARSEL: Forsikre deg om at området som skal ryddes er fritt for steiner, pinner, ledninger, grus og andre gjenstander som ved et uhell kan kastes av snøfreseren i alle retninger og forårsake alvorlig personskade på operatøren og andre.

- Hvis enheten kommer i kontakt med noen form for hindring eller rusk under bruk, må du stoppe snøfreseren, fjerne batteripakken(e), fjerne hindringene og inspiser enheten nøye for skade før du fortsetter.

⚠ ADVARSEL: Ta aldri inn i utløpsrøret eller plasser noen kroppsdeler foran snøfreseren når enheten er i drift eller når batteripakken er montert. Forsikre deg alltid om at alle bevegelige deler har stoppet og at batteripakken (e) er fjernet før du fjerner hindringer. Unnlattelse av å følge disse instruksjonene kan føre til alvorlig personskade.

- Legg merke til vindretningen før du begynner. Når det er mulig, tøm snø i samme retning som vinden for å forhindre at snø kastes tilbake i ansiktet ditt.
- Noen deler av snøfreseren kan fryse under ekstreme værforhold. Ikke prøv å betjene enheten med frose deler.
- Når du er ferdig, la motoren gå i noen minutter for å forhindre at bevegelige deler fryser. Drei deretter rotasjons håndtaket frem og tilbake flere ganger for å frigjøre det fra isoppbygging. Sørg for å rense av snø og is fra bunnen av rennen.
- I snødekte og kalde forhold kan noen kontroller og bevegelige deler fryse. Ikke bruk overdreven kraft når du prøver å betjene frose kontroller. Hvis du har problemer med å betjene noen kontroll eller del, start maskinen som "START / STOPP SNØBLÅSEREN" -delen som er vist og la den gå i noen minutter.

NO

VEDLIKEHOLD

GENERELT VEDLIKEHOLD

Unngå bruk av løsemidler når plastdeler skal rengjøres. De fleste plasttyper kan ta skade av ulike typer løsemidler som er i salg, og kan dermed bli ødelagt. Bruk en ren klut for å fjerne skitt, støv, olje, fett, osv.

SMØRING AV MASKINEN

Alle lagrene i dette produktet er smurt med en tilstrekkelig mengde smøremiddel av høy kvalitet for enhetens levetid under normale driftsforhold. Derfor er det ikke nødvendig med ytterligere lagersmøring.

MONTERING OG JUSTERING AV GLIDESKOENE

1. Fjern batteriene
2. Løsne og fjern muttere, pakninger og glideskoen fra skruene (Fig. G1).
3. Bytt ut glideskoen med en ny, om nødvendig.
4. Høyden på glideskoene kan justeres i henhold til de faktiske snøforholdene uten å fjerne mutterne grundig, bare løsne dem, juster glideskoenes stilling og deretter stram (Fig. G2).

NO

BYTTING AV SKJÆREBOLTEN

Skjærebolten er plassert i innmaterskaftet (Fig.H1). De hjelper med å absorbere øyeblikkelig dreiemoment når innmaterialet treffer hindringer under arbeid og beskytter girkassen og motoren mot skader.

H-1	Innmaterskaft	H-2	Skjærebolt
-----	---------------	-----	------------

For å skifte ut skjæreboltene, fjern batteriene, fjern den ødelagte skjærebolten fra innmaterakselen og erstatt den med nye bolter.

MERK: Ytterligere to skjærebolter lagret på skaftmonteringen, erstatt med den nye hvis den originale er ødelagt. (Fig.H2).

OPPBEVARING AV SNØBLÅSEREN

⚠ FORSIKTIG: Forsikre deg om at all smeltet snø som kan dryppe fra snøfreseren, tørkes riktig for å forhindre fare for skli og fall.

- Fjern batteripakkene og lagre dem på et sikkert sted utenfor barnas rekkevidde.

Tørk fuktighet, smuss eller rusk fra batteriets område før lagring.

- Tørk av snøfreseren med en ren, tørr klut.
- Kontroller alle muttere, bolter, knotter, skruer osv. for stramhet.
- Inspiser bevegelige deler for skader, brudd og slitasje. La reparasjoner utføres på ødelagte eller manglende deler.
- Oppbevar snøfreseren på et rent, tørt, lukket sted utilgjengelig for barn.
- Oppbevar ikke i nærheten etsende materialer som gjødsel eller steinsalt.

Beskytt miljøet



Elektriske apparater må ikke kastes i det usorterte husholdningsav-fallet, men innleveres til et innsamlingssted.

Kontakt lokale myndigheter for informasjon om hvilke innsamlings-ordninger som finnes.

Hvis elektriske apparater kastes på fyllinger eller avfallsplasser, kan farlige substanser lekke ned i grunnvannet og komme inn i nærings-kjeden og skade menneskers liv og helse.

FEILSØKING

⚠ ADVARSEL: Ta alltid ut batteripakken ved service på eller transport av snøfreseren. Beskytt alltid hendene ved å bruke hansker når du utfører noe vedlikehold på snøfreseinnmateren eller skrapen.

PROBLEM	ÅRSAK	LØSNING
Snøfreseren starter ikke.	<ul style="list-style-type: none"> ■ Batteriladningen er lav. ■ Innmaterbryteren utløses ikke i øyeblikket når LED-indikatoren blinker grønt. ■ Innmateren er frosset av snø eller is. ■ Batteriet er overopphetet. LED-indikatoren på batteriet blinker oransje eller lyser rødt (se avsnittet "BATTERI-HØYTEMPERATURBESKYTTELSE" i denne håndboken). 	<ul style="list-style-type: none"> ■ Lade batteriet. ■ Trykk på innmaterutløseren når LED-indikatoren blinker. Hvis LED-indikatoren slutter å blinke, reagerer ikke snøfreseren ved å trykke på innmaterutløseren. ■ Fjern batteripakke(n) først, bruk det medfølgende renseverktøyet for å fjerne snøen eller isen som hindrer innmateren. Start snøfreseren på nytt. ■ Fjern batteriet fra snøfreseren og vent til batteripakken er avkjølt til omtrent 67°C, sett deretter inn batteriet på nytt og start snøfreseren på nytt.
Motoren er på, men innmateren slås ikke på.	<ul style="list-style-type: none"> ■ Skjærebolten er ødelagt. 	<ul style="list-style-type: none"> ■ Sett på plass skjærebolten som i avsnittet "Bytte ut skjærebolten" i denne håndboken.
LED-lampeknappen er ufølsom for første gang du trykker.	<ul style="list-style-type: none"> ■ Den interne selvkontrollprosessen forårsaker en liten forsinkelse i den første tastetrykkresponsen. 	<ul style="list-style-type: none"> ■ Trykk på LED-lampeknappen og hold den inne i 1 sekund.
LED-indikatoren på batteriet holder på etter at snøfreseinnmateren slutter å virke eller selvkjørende system slås av.	<ul style="list-style-type: none"> ■ Den elektriske kretsen er i ventemodus for neste omstart. Lysdioden slås av automatisk hvis snøfreseren ikke brukes på 5 til 10 minutter. 	<ul style="list-style-type: none"> ■ Bare la det være, eller ta batteriene ut av batterirommet.

NO

GARANTI

Besøk nettsiden egopowerplus.eu for å se fullstendige vilkår og betingelser for EGO-garantireglene.

ПРОЧИТАЙТЕ ВСЕ ИНСТРУКЦИИ!

Назначение. Уборка снега в таких местах, как подъездные пути и тротуары.

⚠ ПРЕДУПРЕЖДЕНИЕ. Перед использованием устройства внимательно прочитайте все инструкции в данном руководстве пользователя и ознакомьтесь с предупреждающими символами безопасности, такими как «ОПАСНОСТЬ», «ПРЕДУПРЕЖДЕНИЕ» и «ВНИМАНИЕ». Несоблюдение всех приведенных ниже инструкций может привести к поражению электрическим током, возникновению пожара и (или) получению серьезных травм.

⚠ ПРЕДУПРЕЖДЕНИЕ. В результате работы электроинструмента в глаза могут попасть посторонние предметы, что приведет к серьезному повреждению глаз. При работе с электроинструментами всегда надевайте защитную маску, защитные очки с боковыми щитками или полнопрофильную защитную маску (при необходимости). Поверх очков или стандартных защитных очков рекомендуется надевать безопасную маску с широким обзором.

ПРЕДУПРЕЖДАЮЩИЕ СИМВОЛЫ

RU


Предупреждение об опасности



Чтобы уменьшить риск получения травм, перед использованием устройства необходимо прочитать и понять руководство по эксплуатации.



Держите ноги и руки подальше.



При работе с данным устройством всегда используйте защиту для глаз или защитные очки с боковыми щитками и полнопрофильную защитную маску.



ВНИМАНИЕ! Не смотрите непосредственно на включенную лампу.



ОПАСНОСТЬ — Перед очисткой разгрузочного желоба выключите двигатель. Чтобы снизить риск получения травм, держите руки и ноги подальше от вращающихся частей. Всегда очищайте засоры только после выключения двигателя и с помощью специального инструмента, а не руками.



Держите ноги подальше от рабочего колеса.



Неисправные электрические устройства нельзя выбрасывать вместе с бытовым мусором. Сдавайте их в авторизованные пункты сбора и утилизации.



Гарантированный уровень звуковой мощности в соответствии с Европейской директивой.



Соответствует основным требованиям стандартов безопасности Европейских директив.



Постоянный ток



данный продукт соответствует действующему законодательству Великобритании.

kg Килограмм

V Вольт

IPX4 Защита от струй воды

ТЕХНИЧЕСКИЕ ХАРАКТЕРИСТИКИ

Напряжение	56 В	
Ширина полосы очистки	61 см	
Входная высота	51 см	
Расстояние выброса	13 м	
Размер колеса	38 см	
Масса	68 кг	
Рекомендуемая рабочая температура	-20...10°C	
Рекомендуемая температура хранения	-20...70°C	
Измеренный уровень звуковой мощности, L_{WA}	96,61 дБ (А) K=1,6 дБ (А)	
Уровень звукового давления на уши оператора, L_{PA}	82,5 дБ (А) K=4 дБ (А)	
Гарантированный уровень звуковой мощности L_{WA} (измерен в соответствии с 2000/14/ЕС)	98 дБ (А)	
Значение вибрации a_v :	Левая рукоятка	0,3 м/с ² K=1,5 м/с ²
	Правая рукоятка	0,4 м/с ² K=1,5 м/с ²

ОПИСАНИЕ

ЧАСТИ СНЕГООЧИСТИТЕЛЯ (Рис. А1 и А2)

- Боковая штанга
- Крышка аккумуляторного отсека
- Аккумуляторный отсек
- Колеса
- Тормозная колодка
- Светодиодная подсветка
- Платформа
- Инструмент для очистки желоба
- Разгрузочный желоб для снега
- Направляющая горловины желоба
- Задняя рукоятка
- Боковые светодиоды подсветки
- Рычаг переключателя шнека
- Основная рукоятка

- Рычаг регулировки скорости шнека
- Предохранительная кнопка
- Рычаг регулировки скорости самоходной функции
- Рычаг активации самоходной функции
- Основная рукоятка
- Кнопка светодиодной подсветки
- Светодиодный индикатор
- Ручка вращения желоба
- Ручка направляющей горловины желоба
- Шнек
- Штанга скребка
- Кнопка фиксации аккумулятора
- Электрические контакты

КОМПЛЕКТ ПОСТАВКИ (РИС. А3)

СБОРКА

УСТАНОВКА/ДЕМОНТАЖ КОЛЕС

- Для удобства монтажа расположите снегоочиститель, как показано на Рис. В.
- Извлеките внешнюю прокладку и стопорный штифт колеса из вала.
- Установите колесо и внешнюю прокладку. Зафиксируйте их с помощью стопорного штифта колеса.

Примечание. Перед установкой убедитесь, что стрелка на колесе направлена вперед (Рис. В).

В-1	Внешняя прокладка	В-2	Стопорный штифт колеса
-----	-------------------	-----	------------------------

УСТАНОВКА УЗЛА РУКОЯТКИ

ПРИМЕЧАНИЕ. Обязательно установите рукоятку перед использованием снегоочистителя (Рис. С1).

С-1	Фиксатор	С-2	Рукоятка в сборе
-----	----------	-----	------------------

Ослабьте четыре фиксатора и извлеките болты. Отложите их для последующей сборки.

Выберите удобное рабочее положение в соответствии со своим ростом (Рис. С2).
 Рукоятка в сборе имеет три различных настройки высоты (Рис. С3, С4 и С5).

Верхнее рабочее положение (Рис. С3)

Среднее рабочее положение (Рис. С4)

Нижнее рабочее положение (Рис. С5)

УСТАНОВКА УЗЛА РАЗГРУЗОЧНОГО ЖЕЛОБА ДЛЯ СНЕГА

⚠ ПРЕДУПРЕЖДЕНИЕ. Никогда не используйте снегоочиститель без полностью установленного на место разгрузочного желоба.

1. Открутите фиксатор на внутренней опорной стойке и извлеките болт (Рис. D1). Отложите их в сторону для последующей сборки.

D-1	Разгрузочный желоб для снега	D-2	Внешняя опорная стойка
D-3	Фиксатор	D-4	Внутренняя опорная стойка
D-5	Основание	D-6	Болт

2. Поднимите узел разгрузочного желоба для снега и выровняйте внешнюю опорную стойку с внутренней, чтобы задвинуть внешнюю опорную стойку на место. Убедитесь, что разгрузочный желоб для снега закреплен на основании (Рис. D2).
3. Установите на место фиксатор и болт, чтобы зафиксировать разгрузочный желоб для снега.
4. С помощью регулятора с последовательным кабелем можно изменять усилие вращения ручки желоба. Чтобы уменьшить усилие, слегка поворачивайте регулятор против часовой стрелки (Рис. D2). И наоборот, для увеличения усилия поворачивайте регулятор в обратном направлении. Имейте в виду, что при слишком слабом усилии разгрузочный желоб для снега будет смещаться влево и вправо в процессе работы.

ЭКСПЛУАТАЦИЯ

УСТАНОВКА И ДЕМОНТАЖ АККУМУЛЯТОРА

ЗАРЯДИТЕ ПЕРЕД ПЕРВЫМ ИСПОЛЬЗОВАНИЕМ.

90

АККУМУЛЯТОРНЫЙ СНЕГООЧИСТИТЕЛЬ С ЛИТИЙ-ИОННЫМ АККУМУЛЯТОРОМ 56 В — SNT2400E

Используйте только аккумуляторы и зарядные устройства, указанные на Рис. А4.

ПРИМЕЧАНИЕ. Для наилучшей производительности мы рекомендуем использовать с устройством два литий-ионных аккумулятора EGO 5 Ач, 56 В или два литий-ионных аккумулятора EGO 56 В большей емкости.

Когда аккумуляторы 56 В не используются, они должны храниться в закрытом помещении, где температура не падает ниже -20°C . Оптимальная температура зарядки находится в диапазоне от 5 до 40°C .

Установка

Вставьте аккумулятор в отсек до щелчка (РИС. E1).

Демонтаж

Нажмите кнопку фиксации аккумулятора в отсеке (РИС. E2).

ПРИМЕЧАНИЕ. Перед началом работы убедитесь, что защелка на аккумуляторе встала на место и сам аккумулятор надежно закреплен в снегоочистителе.

ВКЛЮЧЕНИЕ И ВЫКЛЮЧЕНИЕ СНЕГООЧИСТИТЕЛЯ

⚠ ВНИМАНИЕ! Не вмешивайтесь в работу предохранительной кнопки.

⚠ ПРЕДУПРЕЖДЕНИЕ. Следите за тем, чтобы люди и животные находились на расстоянии не менее 30 метров от работающего снегоочистителя.

⚠ ПРЕДУПРЕЖДЕНИЕ. Шнек продолжает вращаться в течение нескольких секунд после выключения снегоочистителя. Прежде чем снова включить устройство, дождитесь остановки шнека.

ПРИМЕЧАНИЕ. Не включайте снегоочиститель сразу после выключения.

Включение снегоочистителя

1. Убедитесь, что узел рукоятки надежно закреплен на нужной высоте, узел бокового разгрузочного желоба установлен правильно, желоб и его направляющая горловина настроены надлежащим образом.

2. Вставьте аккумулятор(-ы) в снегоочиститель и закройте крышку аккумуляторного отсека.
3. Нажмите на предохранительную кнопку (А-16) и удерживайте ее в течение 1 секунды, пока светодиодный индикатор (А-21) не начнет мигать зеленым. Нажмите на рычаг переключателя шнека (А-13), чтобы включить снегоочиститель, пока светодиодный индикатор мигает.

ПРИМЕЧАНИЕ. Снегоочиститель можно включить с помощью рычага переключателя шнека только во время мигания светодиодного индикатора.

ПРИМЕЧАНИЕ. Снегоочиститель может не запуститься должным образом, если температура аккумулятора ниже -20°C . Если снегоочиститель не запускается, извлеките из него аккумулятор и дайте ему согреться в помещении не менее 10 минут. Установите аккумулятор на место и повторите попытку.

Выключение снегоочистителя

Полностью отпустите рычаг переключателя шнека.

ПРИМЕЧАНИЕ. Электрический тормоз автоматического тормозного механизма остановит вращение шнека в течение трех секунд после отпускания рычага переключателя.

Система регулировки скорости шнека

Скорость вращения шнека может регулироваться для изменения расстояния выброса.

Для увеличения или уменьшения скорости перемещайте рычаг регулировки скорости шнека (А-15) вперед и назад.

Система регулировки скорости для самоходного режима

Данный снегоочиститель оборудован системой механического привода с регулировкой скорости. Она не зависит от вращения шнека.

Для использования самоходной функции без вращения шнека нажмите на рычаг активации самоходной функции (А-18) на рукоятке. Для увеличения скорости передвиньте рычаг регулировки скорости самоходной функции (А-17) вперед. Для уменьшения скорости передвиньте рычаг регулировки скорости

самоходной функции назад.

Чтобы выключить самоходную функцию, отпустите рычаг активации самоходной функции.

Для перемещения снегоочистителя назад сначала выключите самоходную функцию, потяните рычаг регулировки скорости самоходной функции в положение REVERSE (Обратный ход), затем нажмите на рычаг активации самоходной функции.

ПРИМЕЧАНИЕ. При движении снегоочистителя в обратном направлении с использованием самоходной функции скорость зафиксирована. Рычаг регулировки скорости не позволяет изменить скорость во время движения в обратном направлении.

ПРИМЕЧАНИЕ. Снегоочиститель нельзя переключить на обратный ход, пока самоходная функция включена для движения вперед.

СОЕДИНЕНИЕ РЫЧАГА ПЕРЕКЛЮЧАТЕЛЯ ШНЕКА И РЫЧАГА АКТИВАЦИИ САМОХОДНОЙ ФУНКЦИИ

Когда рычаг активации самоходной функции (А-18) и рычаг переключателя шнека (А-13) зажаты одновременно, то при отпускании рычага переключателя (под правой рукой) он останется нажатым. Эта функция позволяет регулировать скорость шнека, скорость самоходного режима и направление выброса снега во время вращения шнека.

Отпустите рычаг активации самоходной функции, чтобы остановить шнек и выключить самоходную функцию.

РЕГУЛИРОВКА ЖЕЛОБА И НАПРАВЛЯЮЩЕЙ ГОРЛОВИНЫ

Желоб можно отрегулировать для изменения как направления, так и расстояния выброса снега, чтобы убирать снег с одного участка на другой.

Направление выброса снега можно регулировать от 100° влево и до 100° вправо.

Потяните ручку вращения желоба (А-22) влево или вправо, чтобы повернуть желоб в соответствующем направлении.

Расстояние выброса снегоочистителя регулируется с помощью изменения положения желоба в верхнем или нижнем направлении.

Чтобы увеличить или уменьшить расстояние выброса снега, потяните ручку направляющей горловины желоба (A-23) назад или вперед, чтобы поднять или опустить направляющую горловину (A-10). После установки направляющей горловины в нужном положении поместите ручку направляющей горловины желоба в фиксирующее отверстие (F-1) (Рис. F).

ИСПОЛЬЗОВАНИЕ БОКОВЫХ (A-12) И ПЕРЕДНИХ (A-6) СВЕТОДИОДОВ ПОДСВЕТКИ

Нажмите кнопку светодиодной подсветки один раз, чтобы включить и боковую, и переднюю подсветку.

Нажмите кнопку светодиодной подсветки дважды, чтобы выключить боковую подсветку.

Нажмите кнопку светодиодной подсветки трижды, чтобы выключить всю подсветку.

ПРИМЕЧАНИЕ. Все светодиоды выключаются автоматически после 5 минут бездействия снегоочистителя.

СВЕТОДИОДНЫЙ ИНДИКАТОР (A-21) НА СНЕГООЧИСТИТЕЛЕ

Снегоочиститель оснащен светодиодным индикатором, который отображает уровень заряда аккумулятора и рабочее состояние снегоочистителя.

СВЕТОДИОДНЫЙ ИНДИКАТОР	Значение	Действие
Светится зеленым	Снегоочиститель работает нормально, заряд каждого аккумулятора не менее 15 %.	Не требуется.

Мигает красным	Аккумулятор разряжен почти полностью.	Остановите снегоочиститель и зарядите аккумулятор(-ы).
Попеременно мигает красным и зеленым	Ошибка	Обратитесь в сервисный центр EGO.
Светится оранжевым	Снегоочиститель остановился из-за перегрева.	Извлеките аккумулятор из снегоочистителя и дайте им остыть в течение 15 минут.
Мигает оранжевым	Снегоочиститель перегружен.	Сначала извлеките аккумулятор, затем проверьте, скопился ли снег на деке, и уберите его, если нужно. Замедлите перемещение по снегу. Если это не помогло, обратитесь в сервисный центр EGO.

<p>Мигают индикаторы питания и включения аккумулятора</p>	<p>Аккумулятор перегрелся. (См. раздел «ЗАЩИТА АККУМУЛЯТОРА ОТ ПЕРЕГРЕВА» в данном руководстве.)</p>	<p>Извлеките аккумулятор из снегоочистителя и дождитесь, пока аккумулятор остынет примерно до 67°C, а затем установите его на место и снова запустите снегоочиститель.</p>
---	--	--

ЗАЩИТА СНЕГООЧИСТИТЕЛЯ ОТ ПЕРЕГРУЗКИ

Данный снегоочиститель оснащен встроенными элементами для распознавания перегрева. Когда снегоочиститель перегружен, двигатель автоматически сбросит скорость, что будет заметно по снижению громкости его работы. Замедлите шаг или уменьшите ширину полосы очистки. Через некоторое время скорость работы двигателя автоматически вернется к нормальному значению. Если эти действия не решат проблему перегрузки, датчик автоматически отключит двигатель, а светодиодный индикатор на снегоочистителе будет мигать оранжевым цветом. Извлеките аккумулятор(-ы) из снегоочистителя, подождите 10 секунд, а затем проверьте, не накопился ли снег или лед на шнеке или деке. При необходимости следуйте инструкциям в разделе «Очистка засорившегося желоба». Установите на место аккумулятор(-ы) и заново запустите снегоочиститель.

ОЧИСТКА ЗАСОРИВШЕГОСЯ ЖЕЛОБА

⚠ ПРЕДУПРЕЖДЕНИЕ. Всегда используйте инструмент для очистки желоба (А-8), который прилагается к устройству в качестве принадлежности. Не выполняйте очистку руками.

ЗАЩИТА АККУМУЛЯТОРА ОТ ПЕРЕГРЕВА

Во время использования аккумулятор генерирует тепло. В жаркую погоду тепло рассеивается медленно. Если во время работы температура аккумулятора превышает

70°C, система защиты немедленно отключает снегоочиститель, чтобы защитить аккумулятор от теплового повреждения. Индикатор состояния на снегоочистителе перестанет светиться. Подробную информацию о светодиодном индикаторе аккумулятора см. в разделе «ЗАЩИТА АККУМУЛЯТОРА» руководства по эксплуатации аккумулятора. Отпустите рычаг, дождитесь, пока аккумулятор остынет примерно до 67 °C, а затем снова запустите снегоочиститель.

СОВЕТЫ ПО ЭКСПЛУАТАЦИИ

⚠ ОПАСНО! Никогда не используйте снегоочиститель на замерзших озерах, реках и аналогичных поверхностях. Проламывание льда может привести к серьезным или смертельным травмам.

⚠ ОПАСНО! Никогда не используйте снегоочиститель на крышах и других неустойчивых поверхностях, которые могут стать причиной получения серьезных или смертельных травм.

⚠ ПРЕДУПРЕЖДЕНИЕ. Не используйте снегоочиститель на льду, на котором оператор может поскользнуться или упасть, что приведет к травмам.

⚠ ПРЕДУПРЕЖДЕНИЕ. Не надевайте свободную одежду, шарфы и украшения. Они могут попасть в движущиеся части, что приведет к получению серьезных или смертельных травм.

⚠ ПРЕДУПРЕЖДЕНИЕ. Все разгрузочные части снегоочистителя должны быть направлены в сторону от электрических устройств, чтобы снизить риск поражения электрическим током.

⚠ ПРЕДУПРЕЖДЕНИЕ. Никогда не направляйте снегоочиститель или разгрузочный желоб на людей и животных. Отбрасываемый снег и другие предметы могут нанести серьезные травмы.

RU

⚠ ПРЕДУПРЕЖДЕНИЕ. Убедитесь, что на очищаемой территории нет камней, палок, проволоки, гравия и других предметов, которые могут случайно выбраться снегоочистителем в любом направлении и причинить серьезные травмы оператору и другим лицам.

- Если во время использования устройство столкнулось с какими-либо препятствиями или мусором, остановите снегоочиститель, извлеките из него аккумулятор(-ы), устраните препятствие и тщательно осмотрите устройство на предмет повреждений перед тем, как продолжить работу.

⚠ ПРЕДУПРЕЖДЕНИЕ. Никогда не помещайте какие-либо части тела в разгрузочный желоб и перед снегоочистителем во время его использования или при установке аккумулятора(-ов). Перед устранением любых препятствий и засоров всегда проверяйте, что все движущиеся части остановились, а аккумуляторы извлечены. Несоблюдение данных инструкций может привести к серьезным травмам.

- Перед началом работы примите во внимание направление ветра. По возможности направление выброса снега должно совпадать с направлением ветра, чтобы снег не летел обратно оператору в лицо.
- Некоторые части снегоочистителя могут замерзать в суровых погодных условиях. Не пытайтесь использовать снегоочиститель с замерзшими деталями.
- По окончании работы дайте двигателю поработать еще несколько минут, чтобы предотвратить замерзание движущихся частей, затем несколько раз поверните ручку вращения желоба туда и обратно, чтобы освободить его от накопившегося льда. Убедитесь в том, что снег и лед удалены с основания желоба.
- В снежных и холодных условиях некоторые элементы управления и движущиеся части могут замерзнуть. Не применяйте чрезмерную силу при работе с замерзшими элементами управления. При возникновении трудностей с

использованием органов управления запустите устройство, как описано в разделе «ВКЛЮЧЕНИЕ И ВЫКЛЮЧЕНИЕ СНЕГООЧИСТИТЕЛЯ», и дайте ему поработать несколько минут.

ОБСЛУЖИВАНИЕ

ОБЩЕЕ ОБСЛУЖИВАНИЕ

Не используйте растворители для очистки пластиковых частей. Большинство пластиковых частей чувствительны к различным бытовым растворителям и могут быть повреждены. Для очистки от грязи, пыли, масла, смазки и т. п. используйте чистую ткань.

СМАЗКА УСТРОЙСТВА

Все подшипники в данном устройстве смазаны высококачественным смазочным материалом в количестве, достаточном для срока службы в условиях нормальной эксплуатации. Поэтому дополнительная смазка подшипников не требуется.

ЗАМЕНА И РЕГУЛИРОВКА ТОРМОЗНЫХ КОЛОДОК

1. Извлеките аккумулятор(-ы).
2. Открутите и снимите гайки, прокладки и тормозные колодки с винтов (Рис. G1).
3. При необходимости замените тормозные колодки.
4. Высоту тормозных колодок можно регулировать в соответствии с реальными снежными условиями без полного снятия гаек — просто ослабьте их, отрегулируйте положение колодок, а затем снова затяните (Рис. G2).

ЗАМЕНА ПРЕДОХРАНИТЕЛЬНОГО ШТИФТА

Предохранительные штифты расположены на вале шнека (Рис. H1). Они способствуют поглощению моментального пускового крутящего момента при наезде шнека на препятствия во время работы и защищают редуктор и двигатель от повреждений.

H-1	Вал шнека	H-2	Предохранительный штифт
-----	-----------	-----	-------------------------

To replace the shear pins, remove the batteries, remove the broken shear pin from the auger shaft and replace it with new bolts.

NOTICE: Two additional shear pins are stored onto the chute assembly, replace with the new one if the original one is broken (Fig. H2).

Для замены предохранительных штифтов извлеките аккумуляторы, удалите сломанный предохранительный штифт из вала шнека и установите новый.

ПРИМЕЧАНИЕ. Два дополнительных предохранительных штифта хранятся в узле желоба. Заменяйте оригинальные сломанные штифты на новые (Рис. H2).

ХРАНЕНИЕ СНЕГООЧИСТИТЕЛЯ

⚠ ВНИМАНИЕ! Убедитесь, что весь талый снег, который может капать из снегоочистителя, надлежащим образом вытерт, чтобы предотвратить опасность подскользывания и падения.

- Извлеките аккумулятор(-ы) и уберите на хранение в надежное место, недоступное для детей.

Перед уборкой на хранение протрите область вокруг аккумуляторного отсека от влаги, грязи и мусора.

- Протрите снегоочиститель чистой сухой тканью.
- Проверьте все гайки, болты, фиксаторы, винты на предмет надежного затяжения.
- Проверьте движущиеся части на предмет повреждений, поломок и износа. Отремонтируйте все поврежденные части и установите на место утерянные.
- Храните снегоочиститель в чистом сухом закрытом месте, недоступном для детей.
- Не храните устройство рядом с веществами, вызывающими коррозию, такими как удобрения или каменная соль.

Защита окружающей среды



Не выбрасывайте электроприборы вместе с неотсортированными городскими отходами; пользуйтесь специальными пунктами сбора вторсырья.

Для получения информации о доступных пунктах сбора вторсырья свяжитесь с представителями местных органов власти.

При утилизации электрических устройств на свалках в подземные воды могут просочиться опасные вещества, которые затем попадут в пищевую цепь и приведут к общему ухудшению здоровья и благополучия.

RU

УСТРАНЕНИЕ НЕПОЛАДКОВ

⚠ ПРЕДУПРЕЖДЕНИЕ. Перед выполнением обслуживания или транспортировкой снегоочистителя обязательно извлекайте аккумулятор(-ы). При выполнении любых работ по обслуживанию шнека и скребка снегоочистителя всегда надевайте перчатки.

RU

ПРОБЛЕМА	ПРИЧИНА	РЕШЕНИЕ
Снегоочиститель не запускается.	<ul style="list-style-type: none"> ■ Низкий уровень заряда аккумулятора. ■ Рычаг переключателя шнека не был нажат в момент мигания светодиодного индикатора зеленым светом. ■ На шнеке накопился снег или лед. ■ Аккумулятор перегрелся. Светодиодный индикатор на аккумуляторе мигает оранжевым или светится красным (см. раздел «ЗАЩИТА АККУМУЛЯТОРА ОТ ПЕРЕГРЕВА» в данном руководстве). 	<ul style="list-style-type: none"> ■ Зарядите аккумулятор. ■ Нажмите на рычаг переключателя шнека, когда светодиодный индикатор начнет мигать. Если светодиодный индикатор перестал мигать, снегоочиститель никак не отреагирует на нажатие на рычаг переключателя шнека. ■ Извлеките аккумулятор(-ы) и используйте прилагаемый инструмент для очистки желоба для удаления снега и льда, которые мешают вращению шнека. Запустите снегоочиститель снова. ■ Извлеките перегревшийся аккумулятор из снегоочистителя и дождитесь, пока аккумулятор остынет примерно до 67°C, а затем установите его на место и снова запустите снегоочиститель.
Двигатель включен, но шнек не вращается.	<ul style="list-style-type: none"> ■ Предохранительный штифт сломан. 	<ul style="list-style-type: none"> ■ Замените предохранительный штифт, следуя инструкциям в разделе «ЗАМЕНА ПРЕДОХРАНИТЕЛЬНОГО ШТИФТА».
Кнопка светодиодной подсветки не реагирует на первое нажатие.	<ul style="list-style-type: none"> ■ Внутренний процесс самопроверки вызывает небольшую задержку при первом нажатии кнопки. 	<ul style="list-style-type: none"> ■ Нажмите кнопку светодиодной подсветки и удерживайте ее в течение 1 секунды.

ПРОБЛЕМА	ПРИЧИНА	РЕШЕНИЕ
Светодиодный индикатор на аккумуляторе продолжает светиться после остановки шнека снегоочистителя или отключения самоходной функции.	<ul style="list-style-type: none">■ Электрический контур находится в режиме ожидания для следующего запуска. Светодиод погаснет автоматически, если снегоочиститель не будет работать в течение 5–10 минут.	<ul style="list-style-type: none">■ Просто оставьте устройство или извлеките аккумуляторы из отсека.

ГАРАНТИЯ

Посетите веб-сайт egopowerplus.eu, чтобы ознакомиться со всеми условиями и сроками гарантийной политики EGO.

RU

PRZECZYTAJ WSZYSTKIE INSTRUKCJE!

Przeznaczenie: Odśnieżanie miejsc takich jak podjazdy i chodniki.

⚠ OSTRZEŻENIE: Przed użyciem narzędzia należy koniecznie przeczytać ze zrozumieniem wszystkie instrukcje dotyczące bezpieczeństwa podane w podręczniku użytkownika, łącznie z wszystkimi symbolami ostrzegawczymi takimi jak „NIEBEZPIECZEŃSTWO”, „OSTRZEŻENIE” i „OSTROŻNIE”. Niestosowanie się do wszystkich podanych niżej instrukcji może doprowadzić do porażenia prądem, pożaru i/lub poważnych urazów ciała.

⚠ OSTRZEŻENIE: Praca elektronarzędziami może spowodować wyrzucenie ciał obcych w oczy użytkownika, co może doprowadzić do poważnych urazów oczu. Przed rozpoczęciem pracy elektronarzędziem należy zawsze założyć gogle ochronne lub okulary z osłonami bocznymi, a w stosownych przypadkach także pełną osłonę na twarz (przyłbicę). Zalecamy nakładanie na zwykłe okulary maski zabezpieczającej o szerokim polu widzenia lub stosowanie standardowych okularów zabezpieczających z osłonami bocznymi.

SYMBOLE BEZPIECZEŃSTWA



Ostrzeżenie dotyczące bezpieczeństwa

PL



nie zbliżaj stóp i dłoni



OSTROŻNIE: Nie należy wpatrywać się we włączoną lampę.



Nie zbliżaj stóp do wirnika



Gwarantowany poziom mocy akustycznej. Zgodnie z dyrektywą Wspólnoty Europejskiej.

Prąd stały

kg Kilogram

IPX4 Ochrona przed strumieniami wody



Aby zmniejszyć ryzyko urazów, przed rozpoczęciem korzystania z produktu, użytkownik musi przeczytać i zrozumieć instrukcję.



Podczas używania produktu należy zawsze nosić gogle ochronne lub okulary ochronne z osłonami bocznymi, a także pełną osłonę na twarz.



NIEBEZPIECZEŃSTWO — Przed przepychaniem kominą wyrzutowego należy najpierw wyłączyć silnik. Aby ograniczyć ryzyko urazów, ręce i stopy należy trzymać z dala od obracających się części. Zatory, które należy przetykać tylko po wyłączeniu silnika i nigdy ręką.



Zużytych wyrobów elektrycznych nie należy wyrzucać razem ze zwykłymi odpadami domowymi. Należy je oddać do autoryzowanego punktu recyklingu.



Ten produkt jest zgodny z obowiązującymi dyrektywami WE.



Produkt jest zgodny z obowiązującym ustawodawstwem Wielkiej Brytanii.

V Volt

SPECYFIKACJA

Napięcie	56 V	
Szerokość odśnieżania	61 cm	
Wysokość pobierania	51 cm	
Odległość wyrzutu	13 m	
Rozmiar koła	38 cm	
Ciężar	68 kg	
Zalecana temperatura użytkowania	-20°C-10°C	
Zalecana temperatura przechowywania	-20°C-70°C	
Zmierzony poziom mocy akustycznej L_{WA}	96,61 dB(A) K=1,6 dB(A)	
Poziom ciśnienia akustycznego na wysokości ucha operatora L_{PA}	82,5 dB(A) K=4 dB(A)	
Gwarantowany poziom mocy akustycznej L_{WA} (zmierzony zgodnie z dyrektywą 2000/14/WE)	98 dB(A)	
Szacunkowe drgania $a_{h,r}$:	Uchwyt lewy	0,3 m/s ² K=1,5 m/s ²
	Uchwyt prawy	0,4 m/s ² K=1,5 m/s ²

OPIS

ZAPOZNANIE SIĘ Z ODŚNIEŻARKĄ (Rys. A1 i A2)

1. Szyna boczna
2. Pokrywa akumulatora
3. Komora akumulatora
4. Koła
5. Płoza
6. Reflektory LED
7. Pomost
8. Narzędzie do czyszczenia komina wyrzutowego
9. Komin do wyrzucania śniegu
10. Osłona kierująca komina
11. Uchwyt tylny
12. Światła boczne LED
13. Przełącznik spustowy wirnika
14. Uchwyt główny
15. Dźwignia sterowania prędkością wirnika
16. Przycisk zabezpieczający

17. Dźwignia sterowania prędkością napędu samoczynnego
18. Spust napędu samoczynnego
19. Uchwyt główny
20. Przycisk włączania oświetlenia LED
21. Kontrolka LED
22. Uchwyt do obracania komina
23. Uchwyt osłony kierującej komina
24. Wirnik
25. Belka zgarniająca
26. Przycisk odblokowujący akumulator
27. Styki elektryczne

LISTA ELEMENTÓW W OPAKOWANIU (RYS. A3)

MONTAŻ

MONTEWANIE/ODCZEPIANIE KÓŁ

1. W celu ułatwienia montażu ustaw odśnieżarkę tak jak na Rys. B.
2. Usuń z osi uszczelkę zewnętrzną i sworzeń mocujący koło.
3. Załóż koło i uszczelkę zewnętrzną. Zarygluj je sworzniem mocującym koło.

Informacja: Przed zainstalowaniem należy sprawdzić koło i upewnić się, że strzałka na kole jest skierowana do przodu (Rys. B).

B-1	Uszczelka zewnętrzna	B-2	Sworzeń mocujący koło
-----	----------------------	-----	-----------------------

INSTALOWANIE ZESPOŁU UCHWYTU

INFORMACJA: Przed rozpoczęciem używania odśnieżarki należy złożyć zespół uchwytu (Rys. C1)

C-1	Pokrętło blokujące	C-2	Zespół uchwytu
-----	--------------------	-----	----------------

Odkręć cztery pokrętła blokujące i wysuń śruby. Zachowaj je do ponownego montażu. Wybierz taką wysokość, która zagwarantuje wygodę pracy, odpowiednio do wzrostu użytkownika (Rys. C2). Zespół uchwytu można ustawić na 3 różnych wysokościach. (Rys. C3 i Rys. C4 i Rys. C5)

Górna pozycja pracy jak na Rys. C3

Średnia pozycja pracy jak na Rys. C4

Dolna pozycja pracy jak na Rys. C5

INSTALOWANIE ZESPOŁU KOMINA DO WYRZUCANIA ŚNIEGU

⚠ OSTRZEŻENIE: Nigdy nie wolno używać odśnieżarki bez założonego kompletnego komina do wyrzucania śniegu.

1. Poluzuj pokrętko na wsporniku wewnętrznym i wyjmij śrubę (Rys. D1). Zachować pokrętko i śrubę na potrzeby późniejszego montażu.

D-1	Komin do wyrzucania śniegu	D-2	Wspornik zewnętrzny
D-3	pokrętko	D-4	Wspornik wewnętrzny
D-5	Podstawa	D-6	Śruba

2. Podnieś zespół komina do wyrzucania śniegu, dopasuj wspornik zewnętrzny do wspornik wewnętrzny, tak aby wsunąć wspornik zewnętrzny na miejsce. Dopilnuj, aby komin do wyrzucania śniegu został osadzony na podstawie (Rys. D2).
3. Zamocuj zespół komina do wyrzucania śniegu za pomocą odłożonego pokrętła i śruby.
4. Pokrętko regulacyjne umożliwi zmianę siły poruszania dźwignią obracania komina wylotowego, użytkownik może ją zmniejszyć lekko obracając pokrętko regulacyjne w lewo (przeciwnie do kierunku ruchu wskazówek zegara) (Rys. D2). Odwrotnie, siła zwiększy się po przekręceniu w przeciwną stronę. Zwracamy uwagę, że jeśli komin wyrzutowy jest zamocowany zbyt luźno, to podczas użytkowania i wyrzucania śniegu będzie się on odchylał w lewo/prawo.

UŻYTKOWANIE

WKŁADANIE/WYJMOWANIE AKUMULATORA

PRZED PIERWSZYM UŻYCIEM NALEŻY NAŁADOWAĆ AKUMULATOR.

W urządzeniu należy używać wyłącznie akumulatorów i ładowarek podanych na rys. A4

UWAGA: Aby uzyskać najlepsze wyniki, zalecamy używanie 2 akumulatorów litowych ARC EGO 56 V 5,0 Ah lub 2 akumulatorów litowych ARC EGO 56 V o większej pojemności.

Na czas, gdy nie będą używane, akumulatorowy 56 V należy przechowywać w zamkniętych miejscach, w których temperatura może spaść poniżej -20°C. Optymalna temperatura ładowania wynosi od 5°C do 40°C.

Zakładanie

Akumulator należy wsunąć do komory akumulatora tak, aby dało się słyszeć „kliknięcie”. (RYS. E1)

Wyjmowanie

Należy wcisnąć przycisk zwalnający akumulator w komorze akumulatora. (RYS. E2)

INFORMACJA: Przed rozpoczęciem pracy należy upewnić się, że zatrask na odśnieżarce zablokował się we właściwej pozycji i że akumulator(y) jest/są dobrze zamocowany/-e w urządzeniu.

WŁĄCZANIE/WYŁĄCZANIE ODŚNIEŻARKI

⚠ OSTROŻNIE: Nie należy próbować zakłócać działania przycisku zabezpieczającego.

⚠ OSTROŻNIE: Należy zawsze pilnować, aby osoby postronne i zwierzęta domowe pozostawały w odległości co najmniej 30 m od pracującej odśnieżarki.

⚠ OSTROŻNIE: Przez kilka sekund po wyłączeniu odśnieżarki wirnik jeszcze się porusza. Przed ponownym uruchomieniem należy odczekać, aż wirnik przestanie się kręcić.

INFORMACJA: Nie należy wyłączać i włączać odśnieżarki w krótkich odstępach czasu.

Włączanie odśnieżarki

1. Dopilnuj, aby uchwyt był ustawiony na odpowiednią wysokość, aby boczna rynna wyrzutowa była prawidłowo zamontowana i aby osłona kierująca komina wyrzutowego była ustawiona we właściwej pozycji.
2. Włóż akumulator(y) do odśnieżarki i zamknij pokrywę akumulatora.
3. Naciśnij przycisk zabezpieczający (A-16) i przytrzymaj go przez 1 sekundę, kontrolka LED (A-21) będzie migać na zielono. Aby włączyć odśnieżarkę, w czasie migania kontrolki LED, naciśnij przełącznik spustowy wirnika (A-13).

INFORMACJA: Odśnieżarkę można włączyć przełącznikiem spustowym wirnika tylko wtedy, gdy miga kontrolka LED.

INFORMACJA: Gdy temperatura akumulatorów wynosi -20°C lub poniżej, odśnieżarka może nie włączać się prawidłowo. Jeśli odśnieżarka nie włącza się, należy wyjąć z niej akumulator i pozwolić, aby zagrzał się w pomieszczeniu przez 10 minut lub dłużej. Założyć akumulator z powrotem i spróbować ponownie.

Wyłączanie odśnieżarki

Całkowicie puścić przełącznik spustowy wirnika.

UWAGA: Elektroniczny hamulec w mechanizmie automatycznego hamowania zatrzyma wirnik w ciągu 3 sekund od puszczenia przełącznika spustowego.

System zmiennej prędkości wirnika

W celu sterowania odległością wyrzutu można regulować prędkość wirnika.

Aby zwiększyć/zmniejszyć prędkość, należy przestawić dźwignię sterowania prędkością wirnika (A-15) do przodu/w tył.

System samoczynnego napędu z regulacją prędkości

Ta odśnieżarka jest wyposażona w funkcję samoczynnego napędu z regulacją prędkości. Jest ona niezależna od kręcenia się wirnika.

Aby włączyć system samoczynnego napędu bez pracy (kręcenia się) wirnika, należy docisnąć do uchwyty spust napędu samoczynnego (A-18). Aby zwiększyć prędkość, należy przesunąć dźwignię sterowania prędkością napędu samoczynnego (A-17) do przodu. Aby zmniejszyć prędkość, należy przesunąć dźwignię sterowania prędkością napędu samoczynnego w tył.

Aby wyłączyć funkcję napędu samoczynnego, wystarczy puścić spust napędu samoczynnego.

Aby odśnieżarka poruszała się do tyłu, należy najpierw wyłączyć funkcję napędu samoczynnego, następnie przestawić dźwignię sterowania prędkością napędu samoczynnego w pozycję REVERSE (JAZDA W TYŁ), a na koniec nacisnąć spust napędu samoczynnego.

INFORMACJA: W czasie jazdy odśnieżarką w tył z użyciem funkcji napędu samoczynnego, przestawianie dźwigni sterowania prędkością nie zmienia prędkości cofania.

INFORMACJA: Gdy funkcja napędu samoczynnego jest włączona na jazdę do przodu, odśnieżarki nie można przestawić na jazdę w tył.

PRZEŁĄCZNIK SPUSTOWY WIRNIKA I MECHANIZM ŁĄCZĄCY SPUST NAPĘDU SAMOCZYNNEGO

Gdy spust napędu samoczynnego (A-18) oraz przełącznik spustowy wirnika (A-13) zostaną wciśnięte jednocześnie, należy puścić przełącznik spustowy wirnika (z prawej), przełącznik spustowy wirnika pozostanie załączony. Funkcja ta pozwala regulować prędkość wirnika, prędkość napędu samoczynnego i kierunek wyrzutu śniegu w czasie kręcenia się wirnika.

Aby zatrzymać wirnik, wystarczy puścić spust napędu samoczynnego, zarówno wirnik jak i funkcja napędu samoczynnego zatrzymają się.

REGULACJA KOMINA WYRZUTOWEGO I OSŁONY KIERUJĄCEJ

Komin wyrzutowy można regulować tak, aby zmienić zarówno kierunek jak i odległość wyrzutu śniegu, co ułatwia odśnieżanie w danym miejscu i usuwanie śniegu w inne miejsce.

Kierunek usuwania śniegu można regulować w zakresie od 100° w lewo do 100° w prawo.

Aby obrócić komin wyrzutowy w lewo/w prawo, wystarczy pociągnąć uchwyt do obracania komina (A-22) w lewo/w prawo.

Odległość wyrzutu śniegu z odśnieżarki reguluje się przez przestawianie osłony kierującej komina w górę lub w dół.

Aby zwiększyć lub zmniejszyć odległość, na jaką wyrzucany jest śnieg, należy pociągnąć uchwyt osłony kierującej komina (A-23) w tył lub do przodu, tak aby podnieść lub opuścić osłonę kierującą komina (A-10). Gdy osłona kierująca znajdzie się w żądanej pozycji, należy zablokować jej uchwyt w szczelinie blokującej (F-1) (Rys. F).

OBSŁUGA ŚWIATEŁ BOCZNYCH (A-12) I REFLEKTORÓW (A-6) LED

Aby włączyć zarówno światła boczne jak i reflektory, należy jeden raz nacisnąć przycisk włączania oświetlenia LED.

Aby wyłączyć światła boczne, należy dwa razy nacisnąć przycisk włączania oświetlenia LED.

Aby wyłączyć wszystkie światła, należy trzy razy nacisnąć przycisk włączania oświetlenia LED.

INFORMACJA: Wszystkie światła LED wyłączą się automatycznie, jeżeli odśnieżarka przez 5 minut przestanie będzie używana.

KONTROLKA LED (A-21) NA ODŚNIEŻARCE

Odśnieżarka jest wyposażona w kontrolkę LED, która pokazuje poziom naładowania akumulatora/-ów oraz stan roboczy odśnieżarki.

KONTROLKA LED	Znaczenie	Działanie
Świecenie na zielono	Odśnieżarka pracuje właściwie; każdy akumulator jest naładowany co najmniej do 15%.	n.d.
Miganie na czerwono	Akumulator jest prawie rozładowany.	Zatrzymaj odśnieżarkę i naładuj akumulator(y).
Miganie na przemian na zielono i czerwono	Błąd	Skontaktuj się z punktem obsługi klienta EGO.
Świecenie na pomarańczowo	Odśnieżarka zatrzymuje się z powodu przegrzania.	Wymij akumulatory z odśnieżarki, przenieś je do cienia i odczekaj co najmniej 15 minut, aż ostygną.

Miganie na pomarańczowo	Odśnieżarka jest przeciążona.	Najpierw wyjmij akumulator, a potem sprawdź, czy pod pomostem nie nagromadził się śnieg; jeżeli tak, to usuń go. Zwolnij podczas odśnieżania. Jeśli to nie pomoże, skontaktuj się z punktem obsługi klienta EGO.
WYŁĄCZENIE i miganie LED na akumulatorze	Przegrzanie akumulatora. (Patrz część „ZABEZPIECZENIE AKUMULATORA PRZED WYSOKĄ TEMPERATURĄ” w niniejszej instrukcji)	Wymij akumulator z odśnieżarki i odczekaj, aż akumulator ostygnie do temperatury ok. 67°C, następnie załóż go z powrotem i ponownie włącz odśnieżarkę.

ZABEZPIECZENIE PRZECIWPRECIĄŻENIOWE ODŚNIEŻARKI

Odśnieżarka posiada wbudowane czujniki przeciążenia. Gdy odśnieżarka jest przeciążana, silnik automatycznie zmniejsza prędkość, co znajduje odzwierciedlenie w cichszej pracy silnika. Należy zmniejszyć prędkość pracy lub zwężyć szerokość odśnieżania, prędkość silnika automatycznie wzrośnie do normalnego ustawienia. Jeśli powyższy mechanizm nie rozwiąże problemu przegrzewania się, czujnik wyłączy silnik automatycznie, a kontrolka LED na odśnieżarce zacznie migać na pomarańczowo. Należy wtedy wyjąć akumulator(y) z odśnieżarki, odczekać 10 sekund i sprawdzić, czy wirnik i pomost nie są zapchane śniegiem lub lodem. W razie potrzeby należy postępować zgodnie z instrukcjami podanymi w części „Przetykanie zapchanego komina wyrzutowego”. Następnie należy założyć akumulatory i ponownie włączyć odśnieżarkę.

PRZETYKANIE ZAPCHANEGO KOMINA WYRZUTOWEGO

⚠️ OSTRZEŻENIE: Należy zawsze używać narzędzia do czyszczenia komina wyrzutowego (A-8), które jest przymocowane do maszyny jako narzędzie dodatkowe; nie wolno tego robić ręką.

ZABEZPIECZENIE PRZED PRZEGRZANIEM AKUMULATORA

Akumulator rozgrzewa się w trakcie działania. Gdy jest gorąco, proces odprowadzania ciepła odbywa się wolniej. Jeśli temperatura akumulatora przekroczy 70°C w trakcie pracy, układ zabezpieczający natychmiast wyłączy odśnieżarkę, aby uchronić akumulator przed uszkodzeniem spowodowanym temperaturą. Kontrolka stanu w odśnieżarce zgaśnie. Szczegółowe informacje na temat kontrolki LED na akumulatorze podano w części „ZABEZPIECZENIE AKUMULATORA” w instrukcji obsługi akumulatora. Należy puścić ciągnąc przelącznikowe, odczekać, aż akumulator ostygnie do około 67°C a następnie ponownie włączyć odśnieżarkę.

WSKAZÓWKI DOTYCZĄCE UŻYTKOWANIA

⚠️ NIEBEZPIECZEŃSTWO: Odśnieżarki nie należy nigdy używać na zamrzniętych jeziorach, rzekach i podobnych powierzchniach. Załamanie się lodu grozi śmiercią lub ciężkimi urazami.

⚠️ NIEBEZPIECZEŃSTWO: Odśnieżarki nie należy nigdy używać na dachach lub na niestabilnych powierzchniach, tego typu zastosowanie urządzenia grozi śmiercią lub ciężkimi urazami ciała.

⚠️ OSTRZEŻENIE: Odśnieżarki nie należy używać na lodzie, ponieważ grozi to poślizgnięciem się i upadkiem, a w konsekwencji potencjalnie ciężkimi urazami ciała.

⚠️ OSTRZEŻENIE: Nie należy nosić luźnych ubrań, chust ani biżuterii. Mogą one wkręcić się w poruszające się części, co może doprowadzić do śmierci lub ciężkich urazów ciała.

⚠️ OSTRZEŻENIE: Aby zmniejszyć ryzyko porażenia prądem, należy pilnować, aby śnieg nie był wyrzucany na instalacje elektryczne.

⚠️ OSTRZEŻENIE: Nigdy nie wolno kierować odśnieżarki lub komina wyrzutowego w stronę

ludzi lub zwierząt. Wyrzucany śnieg może spowodować poważne urazy ciała.

⚠️ OSTRZEŻENIE: Należy dopilnować, aby na odśnieżanym terenie nie było kamieni, patyków, drutów, żwiru i innych przedmiotów, które mogłyby zostać przypadkowo i w niewiadomym kierunku wyrzucone przez odśnieżarkę, a przez to spowodować ciężkie urazy ciała u operatora lub osób postronnych.

■ Jeżeli maszyna zderzy się z jakąkolwiek przeszkodą lub natrafi na przedmiot w czasie użytkowania, należy wyłączyć odśnieżarkę, wyjąć z niej akumulator(y), usunąć przeszkodę, a przed wznowieniem pracy sprawdzić, czy urządzenie nie uległo uszkodzeniu.

⚠️ OSTRZEŻENIE: Gdy urządzenie pracuje lub nawet gdy w urządzeniu są zainstalowane akumulatory, nigdy nie wolno sięgać do komina wyrzutowego ani umieszczać jakichkolwiek części ciała przed odśnieżarką. Przed usunięciem zatoru lub przeszkód należy zawsze najpierw upewnić się, że wszystkie poruszające się części zatrzymały się i że akumulatory zostały wyjęte z maszyny. Niezastosowanie się do powyższych instrukcji może doprowadzić do poważnych urazów ciała.

■ Przed rozpoczęciem pracy należy zorientować się, z której strony wieje wiatr. Jeśli jest to możliwe, śnieg należy wysypywać w tym samym kierunku (z wiatrem), tak aby śnieg nie był zdmuchiwany w twarz użytkownika przez wiatr.

■ W ekstremalnych warunkach pogodowych niektóre części odśnieżarki mogą zamarznąć. Nie należy próbować używać odśnieżarki, której części zamarły.

■ Po skończeniu pracy należy pozwolić, aby silnik popracował przez dodatkowe kilka minut i aby zapobiec zamrażeniu poruszających się części; następnie należy przekręcić uchwyt do obracania komina kilka razy do przodu i do tyłu, tak aby usunąć z niego ewentualnie zbierający się na nim lód. Należy pilnować, aby podstawa komina wyrzutowego była oczyszczona ze śniegu i lodu.

- Gdy jest zimno i gdy jest dużo śniegu, niektóre elementy sterujące i części ruchome mogą zamarznąć. Podczas prób manipulowania zamrożonymi elementami sterującymi nie należy stosować nadmiernej siły. Jeśli obsługa jakichkolwiek elementów sterujących lub części maszyny sprawia kłopot, należy włączyć maszynę zgodnie z opisem w części „WŁĄCZANIE/WYŁĄCZANIE ODŚNIEŻARKI” i pozwolić urządzeniu przez kilka minut popracować.

KONSERWACJA

KONSERWACJA OGÓLNA

Podczas czyszczenia części plastikowych należy unikać używania rozpuszczalników. Pod wpływem kontaktu z różnego rodzaju rozpuszczalnikami dostępnymi w handlu większość tworzyw może ulec uszkodzeniu. Do usuwania zabrudzeń, kurzu, oleju, smaru itp. należy używać czystej ściereczki.

PL

SMAROWANIE MASZYN

Wszystkie łożyska w urządzeniu zostały nasmarowane wysokiej jakości smarem w ilości wystarczającej na cały okres eksploatacji w normalnych warunkach użytkowania. Urządzenie nie wymaga więc żadnego dodatkowego smarowania.

WYMIANA I REGULACJA PŁÓZ

1. Wyjmij akumulatory.
2. Odkręć nakrętki i zdejmij ze śrub uszczelki oraz płożę (Rys. G1).
3. Jeśli jest to konieczne, wymień płożę na nową.
4. Wysokość płoż można regulować odpowiednio do aktualnych warunków pogodowych (ilości śniegu) bez zdejmowania nakrętek; wystarczy je poluzować, wyregulować położenie płoży i dokręcić (Rys. G2).

WYMIANA SWORZNIA ŚCINAJĄCEGO

Sworznie ścinające znajdują się w osi wirnika (Rys. H1). Pomagają one pochłaniać moment utyku, gdy wirnik uderzy w przeszkodę w czasie pracy, a także zabezpieczają przekładnię i silnik przed uszkodzeniem.

H-1	Oś wirnika	H-2	Sworznie ścinający
-----	------------	-----	--------------------

Aby wymienić sworznie ścinające, należy wyjąć akumulatory, usunąć uszkodzony sworznie ścinający z osi wirnika i zamocować nowy nowymi śrubami.

INFORMACJA: Dwa dodatkowe sworznie ścinające są przechowywane na kominie wyrzutowym, jeśli oryginalny sworznie zostanie uszkodzony, należy go wymienić na nowy. (Rys. H2).

PRZECHOWYWANIE ODŚNIEŻARKI

▲ OSTROŻNIE: Należy dopilnować, aby jakkolwiek topniejący śnieg skapujący z odśnieżarki został dokładnie wytarty, tak aby nie stwarzała ryzyka poślizgnięcia się i upadku.

- Akumulator(y) należy wyjąć i schować w bezpiecznym miejscu niedostępnym dla dzieci. Przed schowaniem należy wytrzeć z okolic akumulatora wszelką wilgoć, zanieczyszczenia i brud.
- Odśnieżarkę należy wycierać czystą, suchą ściereczką.
- Wszystkie nakrętki, śruby, pokrętła, wkręty itp. należy kontrolować pod kątem dokręcenia.
- Części ruchome należy sprawdzać pod kątem uszkodzenia, pęknięcia lub zużycia. Części uszkodzone należy naprawiać, a brakujące uzupełniać.
- Odśnieżarkę należy przechowywać w miejscu czystym, suchym, zamkniętym i niedostępnym dla dzieci.
- Nie należy jej przechowywać w pobliżu materiałów żrących/powodujących korozję, takich jak nawóz lub sól kamienna.

Ochrona środowiska



Urządzeń elektrycznych nie należy wyrzucać razem z nieposortowanymi odpadami komunalnymi, należy korzystać z oddzielnych punktów zbierania odpadów.

Więcej informacji o dostępnych systemach zbiórki można uzyskać od władz lokalnych.

Wyrzucanie urządzeń elektrycznych na wysypisko grozi wyciekami niebezpiecznych substancji do wód gruntowych i przedostaniem się ich do łańcucha pokarmowego, ze szkodą dla zdrowia i jakości życia użytkownika.

ROZWIĄZYWANIE PROBLEMÓW

⚠ OSTRZEŻENIE: Na czas wykonywania czynności serwisowych oraz transportowania odśnieżarki należy zawsze wyjmować akumulator(y). Podczas wykonywania prac serwisowych przy wirniku lub zgarniaczu odśnieżarki, należy zawsze chronić swoje ręce poprzez noszenie grubych rękawic.

PROBLEM	PRZYCZYNA	ROZWIĄZANIE
Odśnieżarka nie włącza się.	<ul style="list-style-type: none"> ■ Słabe naładowanie akumulatora. ■ Przełącznika spustowego wirnika nie wciśnięto w czasie migania na zielono kontrolki LED. ■ Wirnik przymarzał i jest zablokowany śniegiem lub lodem. ■ Akumulator się przegrzał. Kontrolka LED na akumulatorze miga na pomarańczowo lub świeci na czerwono (patrz część „ZABEZPIECZENIE AKUMULATORA PRZED WYSOKĄ TEMPERATURĄ” w niniejszej instrukcji). 	<ul style="list-style-type: none"> ■ Naładuj akumulator. ■ Wciśnij przełącznik spustowego wirnika w czasie, gdy miga kontrolka LED. Jeżeli kontrolka LED przestanie migać, odśnieżarka nie będzie reagować na wciskanie przełącznika spustowego wirnika. ■ Najpierw wyjmij akumulator(y), potem użyj dostarczonego narzędzia do czyszczenia komina wyrzutowego w celu usunięcia śniegu lub lodu blokującego wirnik. Ponownie włącz odśnieżarkę. ■ Wyjmij przegrzany akumulator z odśnieżarki i odczekaj, aż akumulator ostygnie do temperatury ok. 67°C, następnie załóż go z powrotem i ponownie włącz odśnieżarkę.
Silnik jest włączony, ale wirnik się nie kręci.	<ul style="list-style-type: none"> ■ Uszkodzony sworzeń ścinający. 	<ul style="list-style-type: none"> ■ Wymienić sworzeń ścinający zgodnie z instrukcjami podanymi w części „WYMIANA SWORZNIJA ŚCINAJĄCEGO” w niniejszej instrukcji.
Przycisk włączania oświetlenia LED nie reaguje na pierwsze wciśnięcie.	<ul style="list-style-type: none"> ■ Wewnętrzna procedura samokontroli powoduje lekkie opóźnienie reakcji na pierwsze naciśnięcie przycisku. 	<ul style="list-style-type: none"> ■ Naciśnij przycisk włączania oświetlenia LED i przytrzymaj go przez 1 sekundę.

PROBLEM	PRZYCZYNA	ROZWIĄZANIE
Kontrolka LED na akumulatorze świeci się po zatrzymaniu się wirnika odśnieżarki lub po wyłączeniu napędu samoczynnego.	<ul style="list-style-type: none">Obwód elektryczny znajduje się w trybie gotowości do następnego uruchomienia. Jeśli odśnieżarka nie będzie używana przez 5-10 minut, kontrolka LED zgaśnie automatycznie.	<ul style="list-style-type: none">Nie podejmuj żadnych działań lub wyjmij akumulatory z komory akumulatora.

GWARANCJA

W celu zapoznania się z wszystkimi warunkami polityki gwarancyjnej EGO prosimy odwiedzić stronę egopowerplus.eu.

PL

PŘEČTĚTE SI VŠECHNY POKYNY!

Zamýšlené použití: Odstranění sněhu z ploch, jako jsou příjezdové cesty a chodníky.

VAROVÁNÍ: Před použitím tohoto stroje si přečtěte a seznamte se se všemi bezpečnostními pokyny v tomto návodu k obsluze včetně veškerých výstražných symbolů jako např. „NEBEZPEČÍ“, „VAROVÁNÍ“ a „UPOZORNĚNÍ“. Nedodržení níže uvedených pokynů může mít za následek úraz elektrickým proudem, požár a/nebo vážná zranění osob.

VAROVÁNÍ: Při použití elektrického nářadí může dojít k vymrštění cizích těles do očí, což může způsobit jejich závažné poškození. Před použitím elektrického nářadí si vždy nasadte ochranné brýle, ochranné brýle s bočními kryty nebo v případě potřeby obličejový štít. Doporučujeme použít ochrannou masku na brýle nebo standardní ochranné brýle s bočními kryty.

BEZPEČNOSTNÍ SYMBOLY



Bezpečnostní upozornění



Z důvodu snížení nebezpečí úrazu si musí uživatel před použitím tohoto výrobku přečíst návod k obsluze a porozumět mu.



udržujte ruce a nohy v bezpečné vzdálenosti



Při práci s tímto výrobkem vždy noste ochranné brýle nebo bezpečnostní brýle s bočními ochrannými štíty nebo obličejový štít.

CZ



UPOZORNĚNÍ: Nedívejte se upřeně na provozní kontrolku.



NEBEZPEČÍ — Vypněte motor, než začnete uvolňovat vyhazovací žlab. Aby se snížilo riziko zranění, udržujte ruce a nohy v bezpečné vzdálenosti od rotujících dílů. Překážky, které musí být odstraněny po vypnutí motoru a nikdy se nesmí odstraňovat rukou.



Udržujte nohy dále od oběžného kola



Odpadní elektrické výrobky se nesmí likvidovat s domovním odpadem. Odevzdejte je do autorizovaného recyklačního střediska.



Zaručená hladina akustického výkonu. Podle směrnice Evropské unie.



Tento výrobek je v souladu s platnou směrnicí ES



Střídavý proud



Tento výrobek je v souladu s příslušnou britskou legislativou.

kg Kilogram

V Volt

IPX4 Ochrana proti proudu vody

TECHNICKÉ ÚDAJE

Napětí	56 V	
Šířka odklizení	61 cm	
Výška přívodu	51 cm	
Vzdálenost odhazování	13 m	
Velikost kola	38 cm	
Hmotnost	68 kg	
Doporučená provozní teplota	-20°C-10°C	
Doporučená teplota skladování	-20°C-70°C	
Měřená hladina akustického výkonu L_{WA}	96,61 dB(A) K=1,6 dB(A)	
Hladina akustického tlaku na sluch obsluhy L_{PA}	82,5 dB(A) K=4 dB(A)	
Zaručená hladina akustického výkonu L_{WA} (měřeno podle směrnice 2000/14/ES)	98 dB(A)	
Hodnota vibrací a_{h} :	Levá rukojeť	0,3 m/s ² K=1,5 m/s ²
	Pravá rukojeť	0,4 m/s ² K=1,5 m/s ²

CZ

POPIS

SEZNAMTE SE SE SNĚHOVOU FRÉZOU (obr. A1 a A2)

1. Boční lišta
2. Kryt baterie
3. Prostor pro baterie
4. Kola
5. Kluzná patka
6. LED světlomety
7. Nášlap
8. Nástroj pro čištění žlabu
9. Vyhazovací žlab na sních
10. Deflektor žlabu
11. Zadní rukojeť
12. LED boční světla
13. Tlačítko spuštění šneku
14. Hlavní rukojeť

15. Regulační páka rychlosti šneku
16. Bezpečnostní tlačítko
17. Regulační páka rychlosti pojezdu
18. Spoušť pojezdu
19. Hlavní rukojeť
20. Tlačítko LED světel
21. LED kontrolka
22. Rukojeť otáčení žlabu
23. Rukojeť deflektoru žlabu
24. Šnek
25. Shrnovací lišta
26. Tlačítko pro uvolnění akumulátoru
27. Elektrické kontakty

OBSAH BALENÍ (OBR. A3)

MONTÁŽ

MONTÁŽ/DEMONTÁŽ KOLA

1. Pro snadnější montáž umístíte sněhovou frézu podle obr. B.
2. Sejměte z hřídele vnější těsnění a zajišťovací kolík kola.
3. Smontujte kolo a vnější těsnění. Zajistěte je zajišťovacím kolíkem kola.

Poznámka: Před instalací zkontrolujte kolo a ujistěte se, že šipka na kole směřuje dopředu (obr. B).

B-1	Vnější těsnění	B-2	Zajišťovací kolík kola
-----	----------------	-----	------------------------

INSTALACE SESTAVY RUKOJETI

POZNÁMKA: Sestava rukojeti vyžaduje montáž před prací se sněhovou frézou (obr. C1)

C-1	Zajišťovací otočný knoflík	C-2	Sestava rukojeti
-----	----------------------------	-----	------------------

Povolte čtyři zajišťovací otočné knoflíky a vytáhněte šrouby. Uložte je pro opětovnou montáž.

Vyberte si pohodlnou pracovní polohu podle vaší výšky (obr. C2). Sestavu rukojeti lze nastavit do tří různých výšek. (obr. C3 a obr. C4 a obr. C5)

Horní provozní poloha jako obr. C3

Střední provozní poloha jako obr. C4

Dolní provozní poloha jako obr. C5

INSTALACE SESTAVY VYHAZOVACÍHO ŽLABU NA SNÍH

VAROVÁNÍ: Nikdy nepracujte se sněhovou frézou, když není kompletní vyhazovací žlab na místě.

1. Povolte otočný knoflík na vnější podpěrné tyči a vyjměte šroub (obr. D1). Uložte otočný knoflík a šroub pro opětovnou montáž.

D-1	Vyhazovací žlab na sníh	D-2	Vnější podpěrná tyč
D-3	otočný knoflík	D-4	Vnitřní podpěrná tyč
D-5	Základna	D-6	Čep

2. Zvedněte sestavu vyhazovacího žlabu na sníh, vyrovnejte vnější podpěrnou tyč s vnitřní podpěrnou tyčí, abyste mohli zasunout vnější podpěrnou tyč na místo. Ujistěte se, že je vyhazovací žlab na sníh usazen na základně (obr. D2).
3. Teď zajistěte sestavu vyhazovacího žlabu na sníh příslušným otočným knoflíkem a šroubem.
4. Spřáhnutým kabelovým regulátorem můžete změnit pohybovou sílu rukojeti otáčením komínu. Sílu můžete snížit mírným pootočením spřáhnutého kabelového regulátoru proti směru hodinových ručiček (obr. D2). Naopak, síla se zvýší otočením v opačném směru. Všimněte si, že vyhazovací komín sněhu se během používání posunuje doleva / doprava, pokud je příliš volný.

OBSLUHA

INSTALACE/VYJMUTÍ AKUMULÁTORU

NABIJTE AKUMULÁTOR PŘED PRVNÍM POUŽITÍM.

Používejte pouze akumulátory a nabíječky uvedené na obr. A4

POZNÁMKA: Pro nejlepší výkon doporučujeme použití se dvěma 5,0 Ah EGO 56V Arc lithiovými akumulátory nebo se dvěma EGO 56V Arc lithiovými akumulátory o větší kapacitě.

Když se nepoužívají, musí být 56V akumulátory uloženy v uzavřeném prostoru, kde teplota neklesne pod -20°C. Optimální teploty nabíjení jsou mezi 5°C a 40°C.

Instalace

Zatlačte akumulátor do prostoru pro akumulátor, dokud neuslyšíte „cvaknutí“. (OBR. E1)

Vyjmutí

Stiskněte tlačítko pro uvolnění akumulátoru v prostoru pro akumulátor. (OBR. E2)

POZNÁMKA: Dbejte, aby západka na sněhové fréze zapadla na místo a aby byl akumulátor(y) před spuštěním upevněn ke stroji.

SPUŠTĚNÍ/VYPNUTÍ SNĚHOVÉ FRÉZY

UPOZORNĚNÍ: Nepokoušejte se potlačit funkci bezpečnostního tlačítka.

VAROVÁNÍ: Když používáte sněhovou frézu, udržujte od ostatních osob a domácích zvířat bezpečnou vzdálenost alespoň 30 m.

VAROVÁNÍ: Šnek se bude otáčet ještě několik sekund po vypnutí sněhové frézy. Před dalším spuštěním nechejte šnek zastavit.

POZNÁMKA: Nesnažte se rychle vypnout a zapnout sněhovou frézu.

Spuštění sněhové frézy

1. Ujistěte se, že je sestava rukojeti nastavena do vhodné výšky, je řádně namontována sestava bočního vyhazovacího žlabu, žlab a deflektor žlabu jsou nastaveny do vhodné polohy.
2. Instalujte akumulátor(y) do sněhové frézy a uzavřete kryt akumulátoru.
3. Stiskněte bezpečnostní tlačítko (A-16), podržte jej na 1 sekundu a LED kontrolka (A-21) bude blikat zeleně. Stiskněte tlačítko spuštění šneku (A-13) a zapnete sněhovou frézu, zatímco LED kontrolka bliká

POZNÁMKA: Sněhovou frézu lze zapnout tlačítkem spuštění šneku, pouze když bliká LED kontrolka.

POZNÁMKA: Sněhová fréza se nemusí řádně spustit, pokud je teplota akumulátoru -20°C nebo méně. Pokud se sněhová fréza nespustí, vyjměte akumulátor ze sněhové frézy a nechejte jej uvnitř zahřát 10 minut nebo déle. Znovu nainstalujte akumulátor a zkuste to znovu.

CZ

Vypnutí sněhové frézy

Plně uvolněte tlačítko spuštění šneku.

POZNÁMKA: Elektrická brzda v automatickém brzdovém mechanismu zastaví rotaci šneku během 3 sekund od tlačítka uvolnění šneku.

Systém šneku s variabilní rychlostí

Rychlost šneku lze nastavit a regulovat tak vzdálenost odhazování.

Pro zvýšení/snížení rychlosti zatlačte regulační páku rychlosti šneku (A-15) vpřed/vzad.

Systém pojezdu s variabilní rychlostí

Tato sněhová fréza je vybavena funkcí pojezdu s variabilní rychlostí. Je nezávislý na rotaci šneku.

Pokud chcete ovládat systém pojezdu bez rotace šneku, stiskněte spoušť pojezdu (A-18) k rukojeti. Pro zvýšení rychlosti posuňte regulační páku rychlosti pojezdu (A-17) vpřed. Pro snížení rychlosti posuňte regulační páku rychlosti pojezdu vzad.

Pokud chcete vypnout funkci pojezdu, uvolněte spoušť pojezdu.

Pokud se chcete se sněhovou frézou pohybovat vzad, nejprve zastavte funkci pojezdu; zatáhněte regulační páku rychlosti pojezdu do polohy REVERSE (ZPÁTEČKA), pak stiskněte spoušť pojezdu.

POZNÁMKA: Rychlost při práci se sněhovou frézou s pojezdem vzad je pevná; regulační páka rychlosti nemůže změnit rychlost při jízdě vzad.

POZNÁMKA: Sněhovou frézu nelze přepnout na jízdu vzad, když se funkce pojezdu pohybuje vpřed.

SPOJENÍ TLAČÍTKA SPUŠTĚNÍ ŠNEKU A SPOUŠTĚ POJEZDU

Když je zároveň stisknuta spoušť pojezdu (A-18) a tlačítko spuštění šneku (A-13), pak uvolněte tlačítko spuštění šneku (pravá ruka), tlačítko spuštění šneku zůstane zapojené. Tato funkce vám umožní nastavit rychlost šneku, rychlost pojezdu a směr vyhazování sněhu, zatímco se šnek otáčí

Pokud chcete šnek zastavit, uvolněte spoušť pojezdu, šnek a funkce pojezdu se zastaví.

NASTAVENÍ ŽLABU A DEFLEKTORU

U žlabu lze nastavit změnu směru a vzdálenosti odhazování sněhu, aby vám fréza pomohla přesunout sněh z jednoho místa a umístit ho na jiné místo.

Směr odhazování sněhu lze nastavit až do 100° doleva a 100° doprava

Zatáhněte rukojeť otáčení žlabu (A-22) doleva/doprava a otočte žlab doleva/doprava.

Vzdálenost odhazování sněhu sněhovou frézou lze nastavit posunutím deflektoru žlabu nahoru nebo dolů.

Pokud chcete zvýšit nebo snížit vzdálenost, do které je odhazován sněh, zatáhněte rukojeť deflektoru žlabu (A-23) dozadu nebo dopředu, abyste zvedli nebo spustili deflektor žlabu (A-10). Jakmile najdete požadovanou polohu deflektoru žlabu, zapojte rukojeť deflektoru žlabu do zajišťovací drážky (F-1) (obr. F).

OVLÁDÁNÍ LED BOČNÍCH SVĚTEL (A-12) A REFLEKTORŮ (A-6)

Boční světla i reflektory zapnete jedním stisknutím tlačítka LED světel.

Boční světla vypnete dvěma stisknutími tlačítka LED světel.

Všechna světla vypnete třemi stisknutími tlačítka LED světel.

POZNÁMKA: Všechny LED světla se vypnou automaticky, pokud není sněhová fréza do 5 minut uvedena do provozu.

LED KONTROLKA (A-21) NA SNĚHOVÉ FRÉZE

Sněhová fréza je vybavena LED kontrolkou nabití, která ukazuje úroveň nabití akumulátoru a provozní stav sněhové frézy.

LED KONTR-OLKA	Význam	Akce
Svítil zeleně	Sněhová fréza pracuje správně; každý akumulátor má kapacitu aspoň 15 % nabití.	Nevztahuje se.
Bliká červeně	Akumulátor je téměř vybitý.	Zastavte sněhovou frézu a nabijte akumulátor(y).
Bliká střídavě zeleně a červeně	Chyba	Kontaktujte zákaznický servis společnosti EGO
Svítil oranžově	Sněhová fréza se zastaví v důsledku přehřátí.	Vyjměte akumulátory ze sněhové frézy, přemístěte je do stínu a nechejte je vychladnout po dobu alespoň 15 minut.
Bliká oranžově	Sněhová fréza je přetížená.	Nejprve vyjměte akumulátor, pak zkontrolujte a případně odstraňte sníh, který se nahromadil pod nášlapem. Při odstraňování sněhu zpomalte tempo. Pokud to nefunguje, kontaktujte zákaznický servis společnosti EGO.

VYPNUTA A LED na akumulátoru bliká	Přehřátí akumulátoru. (Viz část „OCHRANA AKUMULÁTORU PŘED VYSOKOU TEPLOTOU“ v tomto návodu)	Vyjměte akumulátor ze sněhové frézy a počkejte, dokud akumulátor nevychladne na přibližně 67 °C, pak znovu namontujte akumulátor a znovu spusťte sněhovou frézu.
------------------------------------	---	--

OCHRANA SNĚHOVÉ FRÉZY PROTI PŘETÍŽENÍ

Vaše sněhová fréza má vestavěné prvky pro detekci přetížení. Když je sněhová fréza přetížená, motor automaticky sníží rychlost a uslyšíte, že se zvýšila hlasitost motoru. Zpomalte tempo nebo snižte šířku odklízení, pak se rychlost motoru automaticky vrátí do normálního nastavení. Pokud toto opatření nevyřeší situaci s přetížením, senzor automaticky vypne motor a LED kontrolka na sněhové fréze bude blikat oranžově. Vyjměte akumulátory ze sněhové frézy, počkejte 10 sekund a zkontrolujte pohledem, jestli je ve šneku a na nášlapu uvízlý sníh nebo led. V případě potřeby dodržujte pokyny pro „Čištění ucpaného žlabu“. Znovu namontujte akumulátory a znovu spusťte sněhovou frézu.

ČIŠTĚNÍ UCAPANÉHO ŽLABU

VAROVÁNÍ: Vždy používejte nástroj pro čištění žlabu (A-8), který je dodán se strojem jako příslušenství, nepoužívejte ruce.

TEPELNÁ OCHRANA AKUMULÁTORU

Akumulátor při provozu generuje teplo. V horkém počasí se teplo rozptýluje daleko pomaleji. Pokud teplota akumulátoru při provozu přesáhne 70 °C, ochranný obvod sněhovou frézu okamžitě zastaví, aby ochránil akumulátor před poškozením horkem. Ukazatel stavu na sněhové fréze zhasne, podrobnosti o LED kontrolkách na akumulátoru viz část „OCHRANA AKUMULÁTORU“ v návodu k použití

CZ

akumulátoru. Uvolněte pákový spínač, počkejte, dokud akumulátor nevychladne na přibližně 67 °C, pak znovu spusťte sněhovou frézu.

PROVOZNÍ TIPY

⚠ NEBEZPEČÍ: Nikdy nepoužívejte sněhovou frézu na zamrzlých jezerech, řekách nebo podobných plochách. Pokud led praskne, mohlo by dojít k úmrtí nebo vážnému zranění.

⚠ NEBEZPEČÍ: Nikdy nepoužívejte sněhovou frézu na střeše nebo jiné nestabilní ploše, může to mít za následek smrt nebo vážné zranění osob.

⚠ VAROVÁNÍ: Nepoužívejte sněhovou frézu na ledu, to může způsobit uklouznutí a pád obsluhy, což může mít za následek vážné zranění osob.

⚠ VAROVÁNÍ: Nenoste volný oděv, šátky ani šperky. Mohou se zachytit do pohyblivých dílů a to může způsobit smrt nebo vážné zranění.

⚠ VAROVÁNÍ: Udržujte vývod sněhu namířený mimo elektrická zařízení, abyste snížili riziko smrti způsobené elektřinou nebo úrazu elektrickým proudem.

⚠ VAROVÁNÍ: Nikdy nesměřujte sněhovou frézu nebo vyhazovací žlab směrem k lidem nebo zvířatům. Odhazovaný sníh nebo jiné předměty mohou způsobit vážná zranění.

⚠ VAROVÁNÍ: Ujistěte se, že plocha, kde má být odklizen sníh, je zbavena kamení, drátů, štetku nebo jiných objektů, které by mohly být náhodou odhozeny sněhovou frézou jakýmkoliv směrem a způsobit zranění obsluhy a ostatních osob.

- Pokud se stroj během použití dostane do kontaktu s jakýmkoliv typem překážky nebo suti, zastavte sněhovou frézu, vyjměte akumulátory, odstraňte překážku a před pokračováním v práci pečlivě zkontrolujte stroj na poškození.

⚠ VAROVÁNÍ: Nikdy nesahejte do vyhazovacího žlabu ani nedávejte žádnou část těla před sněhovou frézou, když je stroj v provozu nebo když jsou nainstalované akumulátory. Před odstraňováním překážek se vždy ujistěte, že se zastavily všechny pohyblivé díly a byly vyjmuty akumulátory. Nedodržení těchto pokynů může vést k vážnému zranění osob.

- Před zahájením práce si všimněte směru větru. Pokud je to možné, odhazujte sníh stejným směrem, abyste zabránili, že vám vítr odhodí sníh zpět do obličeje.
- Některé díly sněhové frézy mohou za extrémních povětrnostních podmínek zamrznout. Nepokoušejte se pracovat se strojem se zamrzlými díly.
- Po skončení nechejte motor běžet dalších pár minut, abyste zabránili zamrznutí pohyblivých dílů, pak několikrát otočte rukojeť otáčení žlabu tam a zpátky, abyste uvolnili nahromaděný sníh. Ujistěte se, že jste odstranili veškerý sníh a led ze základny žlabu.
- Ve sněhu a za chladného počasí mohou některé ovládací prvky a pohyblivé díly zamrznout. Nepoužívejte nadměrnou sílu, když se budete snažit ovládat zamrzlé ovládání. Pokud máte potíže při ovládání jakéhokoli ovládacího prvku nebo dílu, spusťte stroj podle pokynů v části „SPUŠTĚNÍ/VYPNUTÍ SNĚHOVÉ FRÉZY“ a nechejte jej pár minut běžet.

CZ

ÚDRŽBA

CELKOVÁ ÚDRŽBA

K čištění plastových dílů nepoužívejte rozpouštědla. Většina plastů je náchylná k poškození různými typy komerčních rozpouštědel a jejich použití je může poškodit. K odstranění nečistot, prachu, oleje, maziva atd. použijte čistý hadr.

MAZÁNÍ STROJE

Veškerá ložiska v tomto výrobku jsou za normálních provozních podmínek namazána dostatečným množstvím vysoce kvalitního maziva na celou dobu životnosti stroje. Proto není nutné žádné další mazání ložisek.

VÝMĚNA A NASTAVENÍ KLUZNÝCH PATEK

1. Vyjměte akumulátory.
2. Povolte a sejměte ze šroubů matice, těsnění a kluznou patku (obr. G1).
3. V případě potřeby vyměňte kluznou patku za novou.

4. Výšku kluzných patek lze nastavit podle aktuálních sněhových podmínek bez důkladného odstranění matic, jen je povolte, nastavte polohu kluzné patky a pak je znovu utáhněte (obr. G2).

VÝMĚNA STŘIŽNÉHO KOLÍKU

Střížné kolíky jsou umístěny v hřídeli šneku (obr. H1). Pomáhají absorbovat okamžitý točivý moment, když šnek během práce narazí na překážku, a chrání převodovku a motor před poškozením.

H-1	Hřídel šneku	H-2	Střížný kolík
-----	--------------	-----	---------------

Pokud chcete vyměnit střížné kolíky, vyjměte akumulátory, vytáhněte zlomený střížný kolík z hřídele šneku a vyměňte jej za nové šrouby.

POZNÁMKA: Dva další střížné kolíky jsou uloženy na sestavě žlabu, vyměňte je za nové, pokud jsou původní zlomené. (Obr. H2).

ULOŽENÍ SNĚHOVÉ FRÉZY

⚠ UPOZORNĚNÍ: Ujistěte se, že je řádně ořten veškerý tající sníh, který může kapat ze sněhové frézy, abyste zabránili nebezpečí uklouznutí a pádu.

- Vyměňte akumulátory a uložte je na bezpečné místo mimo dosah dětí.

Před uložením oťete z prostoru akumulátoru vlhkost, nečistoty nebo úlomky.

- Oťete sněhovou frézu čistým suchým hadrem.
- Zkontrolujte pevnost všech matic, šroubů, otočných knoflíků atd.
- Zkontrolujte poškození, zlomení nebo opotřebení pohyblivých dílů. Nechejte provést opravy poškozených nebo chybějících dílů.
- Uložte sněhovou frézu na čistém, suchém, uzavřeném místě mimo dosah dětí.
- Neskladujte ji v blízkosti korozivních materiálů, jako je hnojivo nebo kamenná sůl.

Ochrana životního prostředí



Nevyhazujte elektrické spotřebiče jako netříděný komunální odpad, použijte oddělené sběrné zařízení.

Informace o dostupných systémech sběru odpadu získáte u místních orgánů.

Pokud se elektrická zařízení likvidují na zavážkách nebo skládkách, mohou do podzemní vody proniknout nebezpečné látky, dostat se do potravního řetězce a poškodit tak vaše zdraví a zdravotní stav.

ODSTRAŇOVÁNÍ PROBLÉMŮ

⚠ VAROVÁNÍ: Při servisu nebo přepravě sněžové frézy vždy vyjměte akumulátor(y). Při provádění jakékoliv údržby šneku nebo shrnovače sněžové frézy si vždy chráňte ruce rukavicemi.

PROBLÉM	PŘÍČINA	ŘEŠENÍ
Sněžová fréza nespustuje.	<ul style="list-style-type: none"> ▪ Nabítí akumulátoru je nízké. ▪ Tlačítko spuštění šneku není stisknuto v okamžiku, když LED kontrolka bliká zeleně. ▪ Šnek je zamrzlý sněhem nebo ledem. ▪ Akumulátor je přehřátý. LED kontrolka na akumulátoru bliká oranžově nebo svítí červeně (viz část „OCHRANA AKUMULÁTORU PŘED VYSOKOU TEPLOTOU“ v tomto návodu). 	<ul style="list-style-type: none"> ▪ Nabijte akumulátor. ▪ Stiskněte tlačítko spuštění šneku, když LED kontrolka bliká. Pokud LED kontrolka přestane blikat, sněžová fréza nebude reagovat na stisk tlačítka spuštění šneku. ▪ Nejprve vyjměte akumulátory, použijte dodaný nástroj pro čištění žlabu na odstranění sněhu nebo ledu, který zablokuje šnek. Znovu spusťte sněžovou frézu. ▪ Vyjměte přehřátý akumulátor ze sněžové frézy a počkejte, dokud akumulátor nevychladne na přibližně 67 °C, pak znovu namontujte akumulátor a znovu spusťte sněžovou frézu.
Motor je zapnutý, ale šnek se nespustí.	<ul style="list-style-type: none"> ▪ Střížný kolík je zlomený. 	<ul style="list-style-type: none"> ▪ Vyměňte střížný kolík podle pokynů v části „VÝMĚNA STŘIŽNÉHO KOLÍKU“ v tomto návodu.
Tlačítko LED světel je necitlivé na první stisknutí.	<ul style="list-style-type: none"> ▪ Interní proces vlastní kontroly způsobí mírnou prodlevu v reakci na první stisknutí tlačítka. 	<ul style="list-style-type: none"> ▪ Stiskněte tlačítko LED světel a podržte jej po dobu 1 sekundy.
LED kontrolka na akumulátoru zůstane svítit, když šnek sněžové frézy přestane pracovat nebo se vypne systém pojezdu.	<ul style="list-style-type: none"> ▪ Elektrický okruh je v pohotovostním režimu pro další opětovné spuštění. LED kontrolka zhasne automaticky, pokud není sněžová fréza během 5 až 10 minut uvedena do provozu. 	<ul style="list-style-type: none"> ▪ Nechejte je nebo vyjměte akumulátory z prostoru pro akumulátor.

ZÁRUKA

Úplné záruční podmínky společnosti EGO najdete na webové stránce egopowerplus.eu.

PREČÍTAJTE SI VŠETKY POKYNY!

Zamýšľané použitie: Odstraňovanie snehu z oblastí, ako sú príjazdové cesty a chodníky.

VAROVANIE: Pred použitím tohto nástroja si prečítajte a pochopte všetky bezpečnostné pokyny v tomto návode na obsluhu, vrátane všetkých bezpečnostných výstražných symbolov, ako sú „**NEBEZPEČENSTVO**“, „**VAROVANIE**“ a „**UPOZORNENIE**“. Nedodržanie nižšie uvedených pokynov môže mať za následok úraz elektrickým prúdom, požiar a/alebo vážne zranenie.

VAROVANIE: Prevádzka akéhokoľvek elektrického náradia môže viesť k vymršteniu cudzích predmetov do vašich očí, čo môže spôsobiť vážne poškodenie zraku. Predtým, než začnete používať elektrické náradie, si vždy nasadte ochranné okuliare alebo ochranné okuliare s postrannými krytmi a prípadne celotvárový štít. Odporúčame použiť bezpečnostnú masku so širokým priehľadom na okuliare alebo štandardné bezpečnostné okuliare s postrannými krytmi.

BEZPEČNOSTNÉ SYMBOLY



Bezpečnostné upozornenie



Ak chcete znížiť riziko zranenia, používateľ musí pred použitím tohto výrobku prečítať a pochopiť návod na obsluhu.



Dodržujte bezpečnú vzdialenosť rúk a nôh



Pri práci s týmto výrobkom vždy noste ochranné okuliare alebo ochranné okuliare s postrannými krytmi a celotvárový štít.



UPOZORNENIE: Nepozerajte sa do prevádzkového svetla.



NEBEZPEČENSTVO - Pred odblokovaním vyhadzovacieho komína vypnite motor. Aby sa znížilo riziko zranenia, udržiavajte ruky a nohy v bezpečnej vzdialenosti od rotujúcich častí. Zablokovanie sa smie odstraňovať až po vypnutí motora a nikdy nie priamo rukami.



Udržiavajte nohy mimo obežného kolesa



Odpadové elektrické výrobky sa nesmú likvidovať spolu s domovým odpadom. Odovzdajte do autorizovaného recyklačného strediska.



Garantovaná hladina akustického výkonu. Emisie hluku do prostredia podľa smernice Európskeho spoločenstva.



Tento výrobok je v súlade s platnými smernicami ES.



Jednosmerné prúdy



Tento výrobok je v súlade s príslušnou britskou legislatívou.

kg Kilogram

V Volt

IPX4 Ochrana pred prúdom vody

SK

TECHNICKÉ ÚDAJE

Napätie	56 V	
Šírka záberu	61 cm	
Výška vstupu	51 cm	
Vzdialenosť dopadu	13 m	
Veľkosť kolesa	38 cm	
Hmotnosť	68 kg	
Odporúčaná prevádzková teplota	-20°C-10°C	
Odporúčaná skladovacia teplota	-20°C-70°C	
Nameraná hladina akustického výkonu L_{WA}	96,61 dB(A) K=1,6 dB(A)	
Hladina akustického tlaku na uši obsluhy L_{PA}	82,5 dB(A) K=4 dB(A)	
Garantovaná hladina akustického výkonu L_{WA} (meraná podľa 2000/14/ES)	98 dB(A)	
Ohodnotenie vibrácií a_h :	Ľavá rukoväť	0,3 m/s ² K=1,5 m/s ²
	Pravá rukoväť	0,4 m/s ² K=1,5 m/s ²

SK

POPIS

ZOZNÁMTE SA S VAŠOU SNEHOVOU FRÉZOU (obr. A1 a A2)

1. Bočná lišta
2. Kryt akumulátora
3. Priestor pre akumulátor
4. Kolesá
5. Klzná lyžina
6. LED svetlomety
7. Zhříňovacia doska
8. Nástroj na čistenie komína
9. Vyhadzovací komín pre sneh
10. Komínový deflektor
11. Zadná rukoväť
12. LED obrysové svetlá
13. Spínač spustenia závitovky
14. Hlavná rukoväť
15. Ovládacia páka rýchlosti závitovky

16. Bezpečnostné tlačidlo
17. Ovládacia páka rýchlosti samohybného pohybu
18. Vypínač samohybného pohybu
19. Hlavná rukoväť
20. Vypínač LED svetiel
21. LED kontrolka
22. Rukoväť pre natočenie komína
23. Rukoväť pre deflektor komína
24. Závitovka
25. Stieracia lišta
26. Tlačidlo na uvoľnenie akumulátora
27. Elektrické kontakty

OBSAH BALENIA (OBR. A3)

MONTÁŽ

MONTÁŽ/DEMONTÁŽ KOLESA

1. Pre ľahšiu montáž umiestnite snehové frézu podľa obrázku B.
2. Z hriadeľa odstráňte vonkajšie tesnenie a zaistovací kolík.
3. Zostavte koleso a vonkajšie tesnenie. Zablokujte ich pomocou zaistovacieho kolíka.

Poznámka: Pred inštaláciou skontrolujte koleso, aby ste sa presvedčili, či šípka na kolese smeruje dopredu (obr. B).

B-1	Vonkajšie tesnenie	B-2	Zaistovací kolík kolesa
-----	--------------------	-----	-------------------------

INŠTALÁCIA ZOSTAVY RUKOVÄTE

POZNÁMKA: Pred prácou so snehovou frézou je potrebné namontovať zostavu rukoväte (Obr. C1)

C-1	Blokovací gombík	C-2	Zostava rukoväte
-----	------------------	-----	------------------

Uvoľnite štyri zaistovacie gombíky a vyťahnite skrutky. Odložte si ich pre opätovnú montáž.

Vyberte si pohodlnú pracovnú polohu podľa vašej výšky (obr. C2). Zostava rukoväte môže byť nastavená do troch rôznych výšok. (Obr. C3, obr. C4 a obr. C5)

Horná prevádzková poloha na obr. C-3

Stredná prevádzková poloha na obr. C-4

Dolná prevádzková poloha na obr. C-5

INŠTALÁCIA ZOSTAVY VYHADZOVACIEHO KOMÍNA PRE SNEH

VAROVANIE: Nikdy nepracujte so snehovou frérou bez kompletne namontovanej zostavy vyhadzovacieho komína.

1. Uvoľnite gombík na vnútornej nosnej tyči a vyberte skrutku (obr. D1). Odložte si gombík a skrutku na opätovnú montáž.

D-1	Vyhadzovací komín pre sneh	D-2	Vonkajšia oporná tyč
D-3	gombík	D-4	Vnútorná oporná tyč
D-5	Základňa	D-6	Skrutka

2. Zdvihnite zostavu vyhadzovacieho komína, zarovnajte vonkajšiu opornú tyč s vnútornou opornou tyčou tak, aby ste zasunuli vonkajšiu opornú tyč na jej miesto. Presvedčte sa, či je vyhadzovací komín usadený na základni (obr. D2).
3. Zaisťte zostavu vyhadzovacieho komína odloženým gombíkom a skrutkou.
4. Spriahnutým káblovým regulátorom môžete zmeniť pohybovú silu rukoväte otáčania komínu. Silu môžete znížiť miernym pootočením spriahnutého káblového regulátora proti smeru hodinových ručičiek (obr. D2). Naopak, sila sa zvýši otočením v opačnom smere. Všimnite si, že vyhadzovací komín snehu sa počas používania posúva doľava/doprava, ak je príliš voľný.

OBSLUHA

PRIPOJENIE/ODPOJENIE AKUMULÁTORA PRED PRVÝM POUŽITÍM AKUMULÁTOR NABITE.

Používajte iba s akumulátormi a nabíjačkami, ktoré sú uvedené na obr. A4.

POZNÁMKA: Aby ste dosiahli najlepší výkon, odporúčame používať dve 5,0 Ah EGO 56 V oblúkové lítiové batérie alebo dve EGO 56 V oblúkové lítiové batérie s väčšou kapacitou.

Ak sa 56 V akumulátory nepoužívajú, majú sa skladovať v uzavretých priestoroch, kde teplota neklesne pod -20°C . Optimálne teploty nabíjania sú od 5°C do 40°C .

Pripojenie

Zatlačte akumulátor do priestoru pre akumulátor, až kým nebudete počuť „kliknutie“. (OBR. E1)

Odpojenie

Stlačte tlačidlo na uvoľnenie akumulátora v priestore pre akumulátor. (OBR. E2)

POZNÁMKA: Pred použitím sa uistite, že západka na snehovej fréze zapadla na svoje miesto a že akumulátor je pripravený ku snehovej fréze.

SPUSTENIE/ZASTAVENIE SNEHOVEJ FRÉZY

UPOZORNENIE: Nepokúšajte sa potlačiť činnosť bezpečnostného tlačidla.

VAROVANIE: Počas používania snehovej frézy zabezpečte, aby osoby a domáce zvieratá zostali vo vzdialenosti najmenej 30 m.

VAROVANIE: Závitovka sa bude ešte naďalej otáčať počas niekoľkých sekúnd aj po vypnutí snehovej frézy. Pred opätovným spustením nechajte závitovku úplne zastaviť.

POZNÁMKA: Nezapínajte a nevypínajte snehovú frézu v rýchlom slede za sebou.

Spustenie snehovej frézy

1. Uistite sa, že zostava rukoväte je bezpečne nastavená na vhodnú výšku, zostava bočného vyhadzovacieho komína je správne namontovaná, komín a deflektor sú nastavené do vhodnej polohy.
2. Pripojte akumulátory do snehovej frézy a zatvorte kryt akumulátora.
3. Stlačte bezpečnostné tlačidlo (A-16) a podržte ho 1 sekundu, pokiaľ LED kontrolka (A-21) nezačne blikať zelenou farbou. Stlačením spínača spustenia závitovky (A-13) zapnete snehovú frézu, pričom LED kontrolka bliká.

POZNÁMKA: Snehovú frézu je možné zapnúť spínačom spustenia závitovky iba vtedy, keď bliká LED kontrolka.

POZNÁMKA: Snehová fréza sa nemusí správne spustiť, ak je teplota jej akumulátorov -20°C alebo nižšia. Ak sa snehová fréza nespustí, vyberte akumulátor zo snehovej frézy a nechajte ho zahriať v interiéri najmenej 10 minút. Znova vložte akumulátor a skúste to znova.

SK

Zastavenie snehovej frézy

Úplne pustíte spínač spustenia závitovky.

POZNÁMKA: Elektrická brzda automatického brzdneho mechanizmu zastaví závitovku do 3 sekúnd po uvoľnení spínača spustenia závitovky.

Systém s premenlivou rýchlosťou závitovky

Rýchlosť závitovky sa dá regulovať pre kontrolovanie vzdialenosti vyhadzovania.

Na zvýšenie/zníženie rýchlosti zatlačte páčku ovládania rýchlosti závitovky (A-15) dopredu/ dozadu.

Samohybný systém s premenlivou rýchlosťou

Snehová fréza je vybavená samohybným pohonom s premenlivou rýchlosťou. Je nezávislý na rotácii závitovky.

Ak chcete používať systém bez rotácie závitovky, pritlačte vypínač samohybného pohybu (A-18) k rukoväti. Ak chcete rýchlosť zvýšiť, posuňte ovládaciu páku rýchlosti samohybného systému (A-17) dopredu. Ak chcete rýchlosť znížiť, posuňte ovládaciu páku rýchlosti samohybného systému dozadu.

Pre vypnutie samohybného pohybu uvoľnite vypínač samohybného pohybu.

Ak sa chcete pohybovať so snehovou frézou dozadu, najskôr zastavte funkciu samohybného pohonu; potiahnite ovládaciu páku rýchlosti samohybného pohybu do polohy REVERSE, potom stlačte vypínač samohybného pohybu.

POZNÁMKA: Rýchlosť je pevne nastavená, keď sa snehová fréza samostatne pohybuje; páka ovládania rýchlosti nemôže ovládať rýchlosť smerom dozadu.

POZNÁMKA: Snehovú frézu nie je možné prepnúť pre pohyb dozadu, ak je nastavená funkcia samohybného pohonu vpred.

PREPOJENIE SPÍNAČA SPUSTENIA ZÁVITOVKY A VYPÍNAČA SAMOHYBNÉHO POHYBU

Keď sa súčasne stlačí vypínač samohybného pohybu (A-18) a spínač spustenia závitovky (A-13), potom po uvoľnení spínača spustenia

závitovky (pravá ruka) zostane zapnutý. Táto funkcia umožňuje nastaviť rýchlosť závitovky, rýchlosť samohybného pohonu a smer vyhadzovania snehu, keď sa závitovka otáča.

Ak chcete zastaviť závitovku, uvoľníte vypínač samohybného pohybu a funkcia závitovky spoločne s funkciou samohybného pohonu sa zastavia.

NASTAVENÍ ŽLABU A DEFLEKTORU

Komín môže byť nastavený tak, aby zmenil smer aj vzdialenosť vyhadzovaného snehu, aby vám pomohol pri odhadzovaní snehu z jednej oblasti do druhej.

Smer vyhadzovania snehu je možné nastaviť doľava o 100 ° a doprava o 100 °

Potiahnite rukoväť pre natočenie komína (A-22) doľava/doprava pre natočenie komína doľava/ doprava.

Odhadzovacia vzdialenosť snehovej frézy sa nastavuje pohybom deflektora komína nahor alebo nadol.

Ak chcete zväčšiť alebo zmenšiť vzdialenosť vyhadzovania snehu, potiahnite **rukoväť komínového deflektora (A-23)** dozadu alebo dopredu pre zdvihnutie alebo spustenie **komínového deflektora (A-10)**. Po dosiahnutí požadovanej polohy komínového deflektora zaistíte rukoväť deflektora do blokovacej drážky (F-1) (obr. F).

OVLÁDANIE LED OBRYSOVÝCH SVETIEL (A-12) A SVETLOMETOV (A-6)

Jedným stlačením vypínača LED svetiel zapnete obrysové svetlá aj svetlomety.

Dvojším stlačením vypínača LED svetiel vypnete obrysové svetlá.

Trojším stlačením vypínača LED svetiel zhasnete všetky svetlá.

POZNÁMKA: Všetky LED svetlá sa automaticky vypnú, ak sa snehová fréza nepoužíva 5 minút.

LED KONTROLKA (A-21) NA SNEHOVEJ FRÉZE

Snehová fréza je vybavená LED kontrolkou, ktorá indikuje úroveň nabitia akumulátorov a pracovný stav snehovej frézy.

LED KONTROLKA	Význam	Akcia
Svieti zelená	Snehová fréza funguje správne; každý akumulátor je nabitý na min-imálne 15% svojej kapacity	Neuvádza sa
Bliká červená	Batéria je takmer vybitá.	Zastavte snehovú frézu a nabite akumulátory.
Striedavo bliká červená a zelená	Chyba	Kontaktujte zákaznícky servis EGO.
Svieti oranžová	Snehová fréza sa zastaví z dôvodu prehriatia.	Vyberte akumulátory zo snehovej frézy, presuňte ich do tieňa a nechajte vychladnúť aspoň 15 minút
Bliká oranžová	Snehová fréza je preťažená.	Najskôr vyberte akumulátor a potom skontrolujte či sa pod doskou nenahromadil sneh, prípadne vyčistite. Spomaľte tempo pro odstraňovaní snehu. Ak to nepomôže, obráťte sa na zákaznícky servis EGO.

VYP a LED na blikajúcom akumulátore	Prehriatie akumulátora. (Pozrite si časť „OCHRANA AKUMULÁT-ORA PRED VYSOKÝMI TEPL-OTAMI“ v tomto návode)	Vyberte akumulátor zo snehovej frézy a počkajte, kým akumulátor nevychladne na približne 67 ° C. Potom znova vložte akumulátor a reštartujte snehovú frézu.
-------------------------------------	--	---

OCHRANA PROTI PREŤAŽENIU SNEHOVEJ FRÉZY

Vaša snehová fréza má zabudované prvky na snímanie preťaženia. Ak je snehová fréza preťažená, motor automaticky zníži rýchlosť a budete počuť zníženie hlučnosti motora. Spomaľte tempo alebo zúžte šírku záberu, potom sa rýchlosť motora automaticky obnoví na svoje normálne nastavenie. Ak toto riešenie nevyrieši situáciu preťaženia, snímač automaticky vypne motor a LED kontrolka na snehovej fréze bude blikať oranžovo. Vyberte akumulátory zo snehovej frézy, počkajte 10 sekúnd a skontrolujte, či nie je v závitovke a doske zaseknutý sneh alebo ľad. Ak je potrebné, postupujte podľa pokynov v časti „Vyčistenie upchatého komína“. Vložte späť akumulátory a reštartujte snehovú frézu.

VYČISTENIE UPCHATÉHO KOMÍNA

VAROVANIE: Vždy používajte nástroj na čistenie komína (A-8), ktorý je pripevnený k stroju ako príslušenstvo, nepoužívajte ruky.

OCHRANA AKUMULÁTORA PRED VYSOKÝMI TEPLOTAMI

Akumulátor počas prevádzky vytvára teplo. Teplo sa rozptyľuje pomalšie v horúcom počasí. Ak počas používania teplota batérie prekročí 70 ° C, ochranný obvod okamžite vypne snehovú frézu, aby ochránil akumulátor pred poškodením teplom. Kontrolka stavu na snehovej fréze zhasne. Pokiaľ ide o LED kontrolku na akumulátore, podrobnosti nájdete v časti „OCHRANA BATÉRIE“ v návode na používanie akumulátora. Uvoľnite kolískový prepínač,

SK

pockajte, kým sa akumulátor ochladí na približne 67°C a potom znovu snehovú frézu zapnite.

PREVÁDZKOVÉ RADY

⚠ NEBEZPEČENSTVO: Nikdy nepoužívajte snehovú frézu na zamrznutých jazerách, riekach alebo podobných povrchoch. Ak sa ľad prelomí, môže dôjsť k usmrteniu alebo vážnemu zraneniu.

⚠ NEBEZPEČENSTVO: Nikdy nepoužívajte snehovú frézu na streche alebo na inom nestabilnom povrchu, čo môže mať za následok usmrtenie alebo vážne zranenie osôb.

⚠ VAROVANIE: Nepoužívajte snehovú frézu na ľade, kde môže dôjsť k pokĺznutiu a pádu obsluhy, čo môže mať za následok vážne zranenie osôb.

⚠ VAROVANIE: Nenoste voľný odev, šatky alebo šperky. Môžu sa zachytiť do pohyblivých častí a spôsobiť smrť alebo vážne zranenie osôb.

⚠ VAROVANIE: Všetok výstup snehu udržujte mimo všetkých elektrických zariadení, aby ste znížili riziko úrazu elektrickým prúdom alebo zásahu elektrickým prúdom.

⚠ VAROVANIE: Nikdy nemierte snehovú frézu alebo vyhadzovací komín smerom na ľudí alebo domáce zvieratá. Vyhadzovaný sneh alebo iné predmety môžu spôsobiť vážne zranenia osôb.

⚠ VAROVANIE: Uistite sa, že oblasť, ktorá sa má vyčistiť, je bez kameňov, konárov, drôtov, štrku a iných predmetov, ktoré by mohli byť vymrštené snehovou frézuou v ľubovoľnom smere a spôsobiť vážne zranenie obsluhu a iným osobám.

■ Ak sa stroj počas používania dostane do kontaktu s akýmkoľvek typom prekážok alebo úlomkov, zastavte snehovú frézu, vyberte akumulátory, odstráňte prekážku a pred pokračovaním dôkladne skontrolujte stroj, či nie je poškodený.

⚠ VAROVANIE: Nikdy nesiahajte do vyhadzovacieho komína ani neumiestňujte žiadne časti tela pred snehovú frézu, keď je stroj v prevádzke alebo keď sú nainštalované akumulátory. Pred odstránením akýchkoľvek prekážok vždy skontrolujte, či sa všetky

pohyblivé časti zastavili a či boli odstránené akumulátory. Nedodržanie týchto pokynov môže viesť k vážnemu zraneniu.

- Pred začiatkom si všimnite smer vetra. Ak je možné, vyhadzujte sneh rovnakým smerom ako fúka vietor, aby sa zabránilo vrhnutiu snehu späť do vašej tváre.
- Niektoré časti snehovej frézy môžu v extrémnych poveternostných podmienkach zamrznúť. Nepokúšajte sa prevádzkovať stroj so zmrznutými časťami.
- Po dokončení nechajte motor bežať niekoľko ďalších minút, aby ste zabránili zamrznutiu pohyblivých častí. Potom otočte rukoväť otáčania komína niekoľkokrát dozadu a dopredu, aby ste odstránili vzniknutý ľad. Uistite sa, že ste zo základne komína ste odstránili akýkoľvek sneh a ľad.
- V zasnežených a chladných podmienkach môžu niektoré ovládacie prvky a pohyblivé časti zamrznúť. Pri manipulácii so zmrznutými ovládačmi nepoužívajte nadmernú silu. Ak máte problémy s ovládaním niektorého ovládacieho prvku alebo jeho časti, naštartujte stroj podľa časti „SPUSTENIE/ZASTAVENIE SNEHOVEJ FRÉZY“ a nechajte ho niekoľko minút bežať.

ÚDRŽBA

CELKOVÁ ÚDRŽBA

Na čistenie plastových dielov nepoužívajte rozpúšťadlá. Väčšina plastov je náchylná na poškodenie z rôznych typov komerčných rozpúšťadiel a môžu sa poškodiť, ak sa použijú. Použite čistú handru na odstránenie nečistôt, prachu, oleja, maziva, atď.

MAZANIE STROJA

Všetky ložiská v tomto výrobku sú mazané dostatočným množstvom vysoko kvalitného maziva po celú dobu životnosti stroja za normálnych prevádzkových podmienok. Preto nie je potrebné žiadne ďalšie mazanie ložísk.

VÝMENA A NASTAVENIE KLZNÝCH LYŽÍN

1. Vyberte akumulátory.
2. Povoľte a odstráňte matice, tesnenia a klznú lyžinu zo skrutiek (obr. G1).

3. V prípade potreby vymeňte klznú lyžinu za novú.
4. Výška klzných lyžíň môže byť nastavená podľa skutočných snehových podmienok aj bez úplného odstránenia matíc. Stačí, ak ich uvoľníte, upravíte polohu klznej lyžiny a potom dotiahnete (obr. G2).

VÝMENA STRIŽNÉHO KOLÍKA

Strižné kolíky sú umiestnené v hriadeľi závitovky (obr. H1). Pomáhajú absorbovať moment okamžitého zastavenia, keď závitovka počas práce narazí na prekážky a chráni prevodovku a motor pred poškodením.

H-1	Hriadeľ závitovky	H-2	Strižný kolík
-----	-------------------	-----	---------------

Ak chcete vymeniť strižné kolíky, vyberte akumulátory, vyberte zlomený strižný kolík z hriadeľa závitovky a vymeňte ho za nový.

POZNÁMKA: Na zostave komína sú uložené dva ďalšie strižné kolíky. Ak sa originálny kolík zlomí, vymeňte ho za nový. (Obr. H2).

USKLADNENIE SNEHOVEJ FRÉZY

⚠ UPOZORNENIE: Zaisťte, aby všetok roztopený sneh, ktorý môže odkvapkávať zo snehovej frézy, bol riadne poutieraný, aby ste predišli nebezpečenstvu pošmyknutia a pádu.

- Vyberte akumulátory a uložte na bezpečnom mieste mimo dosahu detí.
- Pred uskladnením vytrite z priestoru pre akumulátor všetku vlhkosť, nečistoty alebo zvyšky.
- Snehovú frézu poutierajte čistou suchou handrou.
- Skontrolujte tesnosť všetkých matíc, skrutiek atď.
- Skontrolujte pohyblivé časti, či nie sú poškodené, rozbité a opotrebované. Nechajte opraviť všetky poškodené alebo chýbajúce časti.
- Snehovú frézu skladujte na čistom, suchom a uzavretom mieste mimo dosahu detí.
- Neskladujte ju v blízkosti korozívnych materiálov, ako sú hnojivá alebo kamenná soľ.

Ochrana životného prostredia



Nevyhadzujte elektrické spotrebiče ako netriedený komunálny odpad, použite oddelené zberné zariadenia.

Obráťte sa na vaše miestne zastupiteľstvo pre informácie týkajúce sa dostupných systémov triedeného zberu odpadu.

Ak sú elektrické spotrebiče likvidované na neorganizovaných skládkach alebo smetiskách, môžu nebezpečné látky unikať do podzemných vôd, dostať sa do potravinového reťazca a poškodzovať zdravie.

ODSTRAŇOVANIE PORÚCH

⚠ VAROVANIE: Pri údržbe alebo preprave snehovej frézy vždy vyberte akumulátory. Pri akejkolvek údržbe závitovky alebo stieracej lišty si vždy ruky chráňte rukavicami.

PROBLÉM	PRÍČINA	RIEŠENIE
Snehová fréza nenašartuje.	<ul style="list-style-type: none"> ■ Akumulátor je takmer vybitý. ■ Spínač spustenia závitovky nie je stlačený v okamihu, keď LED kontrolka bliká zelenou farbou. ■ Závitovka je zamrznutá so snehom alebo ľadom. ■ Akumulátor je prehriaty. LED kontrolka na batérii bliká oranžovo alebo svieti červeno (pozrite si časť „OCHRANA AKUMULÁTORA PRED VYSOKÝMI TEPLOTAMI“ v tejto príručke). 	<ul style="list-style-type: none"> ■ Nabite akumulátor. ■ Keď kontrolka LED bliká, stlačte spínač spustenia závitovky. Ak LED kontrolka prestane blikat, snehová fréza nebude reagovať na stlačenie spínača spustenia závitovky. ■ Najskôr vyberte akumulátory a pomocou dodaného nástroja na čistenie komína vyčistite sneh alebo ľad, ktoré prekážajú na závitovke. Reštartujte snehovú frézu. ■ Vyberte prehriaty akumulátor zo snehovej frézy a počkajte, kým akumulátor nevychladne na približne 67°C. Potom znova vložte akumulátor a reštartujte snehovú frézu.
Motor je zapnutý, ale závitovka sa nezapne.	<ul style="list-style-type: none"> ■ Strižný kolík je zlomený. 	<ul style="list-style-type: none"> ■ Vymeňte strižný kolík podľa časti „VÝMENA STRIŽNÉHO KOLÍKA“.
Vypínač LED svetiel nereaguje na prvé stlačenie.	<ul style="list-style-type: none"> ■ Proces internej samokontroly spôsobuje mierne oneskorenie pri prvej reakcii na stlačenie tlačidla. 	<ul style="list-style-type: none"> ■ Stlačte vypínač LED svetiel a podržte ho 1 sekundu.
LED kontrolka akumulátora svieti aj po tom, keď sa závitovka snehovej frézy zastaví alebo sa vypne samohybný systém.	<ul style="list-style-type: none"> ■ Elektrický obvod je v pohotovostnom režime pre ďalší reštart. Ak sa snehová fréza nespustí do 5 až 10 minút, LED sa automaticky vypne. 	<ul style="list-style-type: none"> ■ Nechajte ho alebo vyberte akumulátory z priestoru pre akumulátor.

SK

ZÁRUKA

Navštívte webové stránky egopowerplus.eu pre úplné podmienky záručnej politiky spoločnosti EGO.

OLVASSA EL AZ ÖSSZES UTASÍTÁST!

Rendeltetésszerű használat Hó eltakarítása kocsifelhajtókról és járdákról.

▲ FIGYELMEZTETÉS: A szerszám használata előtt feltétlenül olvassa el a jelen használati útmutató minden biztonsági utasítását, a „VESZÉLY”, „FIGYELMEZTETÉS” és „FIGYELEM” biztonsági szimbólumokat is. Az alább felsorolt utasítások be nem tartása áramütést, tűzveszélyt és/ vagy súlyos személyi sérülést idézhet elő.

▲ FIGYELMEZTETÉS: Bármely elektromos kéziszerszám működtetése azzal járhat, hogy idegen tárgyak szembe kerülnek, ami súlyos szemsérüléseket okozhat. fel oldalsó védőlemezzel ellátott védőszemüveget vagy teljes védőálarcot, ha szükséges. Javasoljuk, hogy viseljen Wide Vision Safety Mask-ot (védőálarc) a védőszemüveg fölött vagy standard védőszemüveget oldalsó védőlemezzel.

BIZTONSÁGI SZIMBÓLUMOK



Biztonsági figyelmeztetés



A sérülések kockázatának csökkentése érdekében a használónak a termék használata előtt el kell olvasnia és meg kell értenie a használati útmutatót.



tartsa távol a lábát és kezét



Mindig viseljen védőszemüveget vagy oldalsó védőlemezzel ellátott védőszemüveget és teljes védőálarcot a termék működtetése közben.



VIGYÁZAT: Ne nézzen a bekapcsolt lámpába,



VESZÉLY – A kidobó kinyitása előtt állítsa le a motort. A sérülések veszélyének csökkentése érdekében tartsa távol a kezét és lábát a forgó alkatrészekről. Az eltömődéseket csak a motor leállítása után szabad eltávolítani, és soha nem kézzel.



Tartsa távol a lábát a lapátkeréktől



Az elhasznált elektromos termékek nem helyezhetők a háztartási hulladékok közé. Vigye hivatalos újrahasznosító telephelyre.



Garantált hangteljesítményszint. Az Európai Közösség irányelve szerint.



A termék megfelel az érvényes EK irányelveknek.



Egyenáram



Ez a termék megfelel az alkalmazandó brit jogszabályoknak.

kg kilogramm

V Volt

IPX4 Vízugár elleni védelem

HU

JELLEMZŐK

Feszültség	56 V	
Tisztítási szélesség	61 cm	
Beszívó magasság	51 cm	
Kidobási távolság	13 m	
Kerék méret	38 cm	
Súly	68 kg	
Javasolt üzemi hőmérséklet	-20°C-10°C	
Javasolt tárolási hőmérséklet	-20°C-70°C	
Mért hangteljesítményszint L_{WA}	96,61 dB(A) K=1,6 dB(A)	
Hangnyomásszint a kezelő fülénél L_{PA}	82,5 dB(A) K=4 dB(A)	
Mért hangteljesítményszint L_{WA} (a 2000/14/EK szerint mérve)	98 dB(A)	
Vibráció értéke a_h :	Bal oldali fogantyú	0,3 m/s ² K=1,5 m/s ²
	Jobb oldali fogantyú	0,4 m/s ² K=1,5 m/s ²

HU

LEÍRÁS

ISMERJE MEG A LOMBFÚVÓT (A1 és A2)

1. Oldalsó állvány
2. Akkumulátor burkolat
3. Elementartó
4. Kerekek
5. Csúszótalp
6. LED fejlámpa
7. Deszka
8. Kidobótisztító eszköz
9. Hókidobó
10. Kidobó terelőlemez
11. Hátsó fogantyú
12. LED oldallámpák
13. Csiga kapcsoló trigger
14. Fő fogantyú
15. Csiga sebességszabályozó kar
16. Biztonsági gomb

17. Önműködő sebességszabályozó kar
18. Önműködő trigger
19. Fő fogantyú
20. LED világítás gomb
21. LED kijelző
22. Kidobóforgató fogantyú
23. Kidobóterelő fogantyú
24. Csiga
25. Kaparórúd
26. Akkumulátor kioldógomb
27. Elektromos érintkezők

A CSOMAG TARTALMA (A3 ÁBRA)

ÖSSZESZERELÉS

A KERÉK FEL- ÉS LESZERELÉSE

1. A könnyebb szerelés érdekében úgy állítsa be a hófúvót, ahogy a B ábrán látható.
2. Távolítsa el a külső tömitést és a kerékrögztítő csapot a tengelyből.
3. Szerelje össze a kereket és a külső tömitést. Rögzítse őket a kerékrögztítő csappal.

Megjegyzés: A felszerelés előtt ellenőrizze a kereket, hogy a keréken látható nyíl előre felé mutat-e (B ábra).

B-1	Külső tömités	B-2	Kerékrögztítő csap
-----	---------------	-----	--------------------

A FOGANTYÚEGYSÉG FELSZERELÉSE

MEGJEGYZÉS: A fogantyúegységet a hófúvó működtetése előtt kell összeszerelni (C1 ábra)

C-1	Rögztítógomb	C-2	Fogantyúegység
-----	--------------	-----	----------------

Lazítsa meg a négy rögztítógombot, és húzza ki a csavarokat. Tegye el ezeket a visszaszereléshez.

Válasszon a magasságának megfelelő, kényelmes működtetési pozíciót (C2 ábra). A fogantyúegységet három különböző magasságra lehet beállítani. (C3 és C4 és C5 ábra)

Felső működtetési pozíció (C3 ábra)

Középső működtetési pozíció (C4 ábra)

Alsó működtetési pozíció (C5 ábra)

A HÓKIDOBÓ EGYSÉG FELSZERELÉSE

▲ FIGYELMEZTETÉS: Soha ne használja a hófúvót anélkül, hogy a teljes kidobó a helyén ne lenne.

1. Lazítsa meg a belső támasztórúdon lévő gombot, és távolítsa el a csavart (D1 ábra). Tartsa meg a gombot és a csavart az összeszereléshez.

D-1	Hókidobó	D-2	Külső támasztórúd
D-3	gomb	D-4	Belső támasztórúd
D-5	Talp	D-6	Csavar

2. Emelje fel a hókidobó egységet és illessze össze a külső támasztórúdat a belső támasztó rúddal úgy, hogy a külső támasztórúdat a helyére csúsztatja. Ügyeljen arra, hogy a hókidobó a talpon helyezkedjen el (D2 ábra).
3. Rögzítse a hókidobó egységet a félretett gombbal és csavarral.
4. A belső kábelszabályozóval az igényeinek megfelelően módosíthatja a kidobóforgató fogantyú mozgatóerejét. Az erőt úgy csökkentheti, ha a belső kábelszabályozót finoman az óramutató járásával ellentétes irányba forgatja (D2 ábra). Ezzel szemben, ha az ellenkező irányba forgatja, azzal növeli az erőt. Vegye figyelembe, hogy ha a hókidobó túl laza, használat közben balra/ jobbra fog mozogni.

MŰKÖDTETÉS

AZ AKKUMULÁTOREGYSÉG BERAKÁSA/ KIVÉTELE

AZ ELSŐ HASZNÁLAT ELŐTT TÖLTSE FEL.

Csak az A4 ábrán felsorolt akkumulátoregységeket és töltőket használja

MEGJEGYZÉS: A legjobb teljesítmény elérése érdekében két 5,0 Ah EGO 56 V-os ARC lítium akkumulátor vagy két nagyobb teljesítményű EGO 56 V-os ARC lítium akkumulátor használatát javasoljuk.

Amikor nem használja őket, az 56 V-os akkumulátoregységeket zárt területen tárolja, ahol a hőmérséklet nem csökken -20°C alá. Az optimális töltési hőmérséklet 5°C és 40°C között van.

Csatlakoztatás

Tolja az akkumulátoregységet az akkumulátortartó rekeszbe, amíg kattantást nem hall. (FIG.E1)

Leválasztás

Nyomja meg az akkumulátor kioldógombot az akkumulátortartó rekeszen. (FIG.E2)

MEGJEGYZÉS: Ellenőrizze, hogy a zár a hófúvón a helyére kattant-e, és hogy az akkumulátoregység(ek) rögzítve van(nak)-e a készülékre, mielőtt működtetni kezdené.

A HÓFÚVÓ INDÍTÁSA/LEÁLLÍTÁSA

▲ FIGYELEM: Ne próbálja meg hatástalanítani a biztonsági gomb működését.

▲ FIGYELMEZTETÉS: Ügyeljen arra, hogy más személyek és a háziállatok legalább 30m távolságban legyenek a hófúvó használatá közben.

▲ FIGYELMEZTETÉS: A csiga még egy kis ideig forog a hófúvó kikapcsolása után. Hagyja, hogy a csiga leálljon, mielőtt újra elindítja.

MEGJEGYZÉS: Ne kapcsolgassa gyorsan ki és be a hófúvót.

A hófúvó elindítása

1. Ügyeljen arra, hogy a fogantyúegység biztonságosan, a megfelelő magasságra legyen beállítva, az oldalsó kidobóegység megfelelően legyen felszerelve, a kidobó és a kidobó terelőlemez megfelelő pozícióban legyen.
2. Csatlakoztassa az akkumulátoregysége(ke)t a hófúvóhoz és zárja vissza az akkumulátor burkolatot.
3. Nyomja meg a biztonsági gombot (A-16) és tartsa benyomva 1 másodpercig, ekkor a LED jelzőfény (A-21) zölden villog. Nyomja meg a csiga kapcsoló triggerrel (A-13) a hófúvó bekapcsolásához, amíg a LED jelzőfény villog.

MEGJEGYZÉS: A hófúvót csak akkor lehet a csiga kapcsoló triggerrel bekapcsolni, amikor a LED jelzőfény villog.

MEGJEGYZÉS: Előfordulhat, hogy a hófúvó nem indul megfelelően, ha az akkumulátorok hőmérséklete -20°C -os vagy annál alacsonyabb. Ha a hófúvó nem indul be, távolítsa el az

HU

akkumulátort a hófúvóból és hagyja legalább tíz percig beltéren melegedni. Helyezze vissza az akkumulátort, és próbálkozzon újra.

A hófúvó leállítása

Teljesen oldja ki a csiga kapcsoló triggert.

MEGJEGYZÉS: Az automatikus fékező mechanizmusban lévő elektromos fék a fogantyú kapcsoló elengedése után 3 másodpercen belül leállítja a csiga forgását.

Változtatható sebességű csiga rendszer

A kidobási távolságot a csiga sebességének beállításával lehet szabályozni.

A sebesség növeléséhez/csökkentéséhez tolja a csiga sebességszabályozó kart (A-15) előre/hátra.

Változtatható sebességű önműködő rendszer

A hófúvó változtatható sebességű önműködő lehetőséggel van felszerelve. Ez független a csiga forgásától.

Az önműködő rendszer csiga forgás nélküli működtetéséhez nyomja az önműködő triggert (A-18) a fogantyúhoz. A sebesség növeléséhez tolja előre az önműködő sebességszabályozó kart (A-17). A sebesség csökkentéséhez tolja hátra az önműködő sebességszabályozó kart.

Az önműködő funkció kikapcsolásához oldja ki az önműködő triggert.

A hófúvó hátramenetben való működtetéséhez először állítsa le az önműködő funkciót; húzza az önműködő sebességszabályozó kart REVERSE (hátramenet) pozícióba, majd nyomja meg az önműködő triggert.

MEGJEGYZÉS: A mikor a hófúvót hátramenetben, önműködő módban működteti, a sebesség rögzített, a sebességszabályozó karral hátramenetben nem módosítható a sebesség.

MEGJEGYZÉS: A hófúvót nem lehet hátramenetbe kapcsolni, amikor az önműködő funkció előre mozgatja.

A CSIGA KAPCSOLÓ TRIGGER ÉS AZ ÖNMŰKÖDŐ TRIGGER ÖSSZEKAPCSOLÁSA

Amikor az önműködő trigger (A-18) és a csiga kapcsoló trigger (A-13) ugyanakkor van benyomva, a csiga kapcsoló trigger (jobb oldal) kioldásakor a csiga kapcsoló trigger bekapcsolva marad. Ez a funkció lehetővé teszi a csigasebesség, az önműködő sebesség, és a hó kidobási irányának beállítását a csiga forgása közben.

A csiga leállításához oldja ki az önműködő triggert, ekkor mind a csiga, mind pedig az önműködő funkció leáll.

A KIDOBÓ ÉS A TERELŐLEMEZ BEÁLLÍTÁSA

A kidobó beállítható úgy, hogy a kidobott hó irányának és kidobási távolságának módosításával segítse Önt abban, hogy a havat eltakaríthassa egy területről, és egy másikra rakhassa.

A hó eltakarításának iránya bal 100° és jobb 100° között állítható.

A kidobó balra/jobbra mozgásához húzza a **kidobóforgató fogantyút (A-22)** balra/jobbra.

A hófúvó kidobási távolsága a kidobó terelőlemez felfelé vagy lefelé mozgásával állítható.

A hó kidobási távolságának növelése vagy csökkentése érdekében húzza a **kidobóterelő fogantyút (A-23)** hátra vagy előre a **kidobó terelőlemez (A-10)** felemeléséhez vagy leengedéséhez. Amikor elérte a kidobó terelőlemez kívánt pozícióját, rögzítse a kidobóterelő fogantyút a rögzítőnyílásba (F-1) (F ábra).

A LED OLDALLÁMPÁK (A-12) ÉS FÉNYSZÓRÓK (A-6) MŰKÖDTETÉSE

Nyomja meg egyszer a LED világításkapcsolót az oldallámpák és a fényszórók bekapcsolásához.

Nyomja meg kétszer a LED világítás gombot az oldallámpák kikapcsolásához.

Nyomja meg háromszor a LED világítás gombot az összes lámpa kikapcsolásához.

MEGJEGYZÉS: Ha 5 percig nem használja a hófúvót, az összes LED lámpa automatikusan kikapcsolódik.

LED JELZŐLÁMPA (A-21) A HÓFÚVÓN

A hófúvó LED jelzőfényel van felszerelve, hogy jelezze az akkumulátoregység(ek) töltési szintjét és a hófúvó működési státuszát.

LED JELZŐFÉNY	Jelentés	Művelet
Zölden világít	A hófúvó megfelelően működik; mindegyik akkumulátor legalább 15%-os töltéssel rendelkezik.	N/A
Pirosan villog	Az akkumulátor majdnem lemerült.	Állítsa le a hófúvót, és töltsse fel az akkumulátoregysége(ke)t.
A zöld és a piros felváltva villog	Hiba	Forduljon az EGO ügyfélszolgálatához
Narancssárgán világít	A hófúvó túlterhelés miatt leáll.	Vegye ki az akkumulátorokat a hófúvóból, vigye árnyékba, és hagyja hűlni legalább 15 percig.

Narancssárgán villog	A hófúvó túlterhelt.	Először vegye ki az akkumulátoregységet, majd ellenőrizze és tisztítsa meg, ha hógyülemlett fel a fellépő alatt. Hóeltakarításakor csökkentse sebességét. Ha ez nem jár eredménnyel, kérjük, forduljon az EGO ügyfélszolgálatához.
Ki van kapcsolódva és az akkumulátoron lévő LED villog	Akkumulátor túlmelegedés. (Lásd az „AZ AKKUMULÁTOR MAGAS HŐMÉRŐSÉKLET ELLENI VÉDELME” c. részt ebbe a kézikönyvben)	Vegye ki az akkumulátoregységet a hófúvóból, és várjon, amíg az akkumulátoregység körülbelül 67 °C-ra lehűl, majd tegye vissza az akkumulátort és indítsa újra a hófúvót.

HU

HÓFÚVÓ TÚLTERHELÉS ELLENI VÉDELEM

Az Ön hófúvója túlterhelés-érzékelő elemekkel van felszerelve. A hófúvó túlterhelése esetén a motor automatikusan csökkenti a sebességet, ami a motor hangerejének csökkenéséből hallható. Lassuljon le vagy csökkentse a tisztítási szélességet, és a motor sebessége automatikusan visszatér az eredeti beállításhoz. Ha ez nem oldja meg a túlterhelés problémáját, az érzékelő automatikusan leállítja a motort és a hófúvón lévő LED jelzőfény narancssárgán

villag. Távolítsa el az akkumulátoregysége(ke)t a hófúvóról, várjon 10 másodpercet, majd ellenőrizze, hogy nincs-e hó vagy jég beragadva a csigába és a fellépőbe. Szükség esetén kövesse az „Eltömődött kidobó tisztítása” c. rész utasításait. Tegye vissza az akkumulátorokat és indítsa újra a hófúvót.

ELTÖMÖDÖTT KIDOBÓ TISZTÍTÁSA

▲ FIGYELMEZTETÉS: Mindig a géphez tartozóként csatolt kidobótisztító eszközt (A-8) használja, és ne a kezét.

AKKUMULÁTOR TÚLMELEGEDÉS ELLENI VÉDELEM

Az akkumulátoregység működés közben felmelegszik. A meleg forró időben lassabban távozik. Ha az akkumulátor hőmérséklete működés közben eléri a 70°C-ot, a védőáramkör azonnal kikapcsolja a hófúvót, hogy megvédje az akkumulátoregységet a sérüléstől. A hófúvó állapotjelzője kikapcsol; az akkumulátoron lévő LED részleteivel kapcsolatban tekintse meg az „AKKUMULÁTORVÉDELEM” c. részt az akkumulátor használati útmutatójában. Engedje el a fogantyú kapcsolót, várjon, amíg az akkumulátoregység kihűl körülbelül 67 °C-ra, majd indítsa újra a hófúvót.

HU

MŰKÖDTETÉSI TANÁCSOK

▲ VESZÉLY: Soha ne használja hófúvót befagyott tavakon, folyókon vagy hasonló felületeken. Ha a jég beszakad, súlyos baleset történhet.

▲ VESZÉLY: Soha ne használja a hófúvót háztetőn vagy egyéb instabil felületen, mivel ez halálhoz vagy súlyos személyi sérüléshez vezethet.

▲ FIGYELMEZTETÉS: Ne használja a hófúvót jégen, mivel a kezelő megcsúszhat és eleshet, ami esetleg súlyos személyi sérüléshez vezethet.

▲ FIGYELMEZTETÉS: Ne viseljen laza ruházatot, sálát vagy ékszereket. Ezek beakadhatnak a mozgó alkatrészek közé, és halált vagy súlyos személyi sérülést okozhatnak.

▲ FIGYELMEZTETÉS: A hókidobó elektromos eszközöktől távolra irányítsa az áramütés vagy akár halálos áramütés elkerülése érdekében.

▲ FIGYELMEZTETÉS: Ne irányítsa a hófúvót vagy a kidobónyílást emberekre vagy állatokra. A kidobott hó vagy egyéb kilökődő tárgyak súlyos személyi sérüléseket okozhatnak.

▲ FIGYELMEZTETÉS: Ügyeljen arra, hogy a területen, amelyről a havat el kívánja takarítani, ne legyenek kövek, botok, vezetékek, kavics és egyéb olyan tárgyak, amelyeket a hófúvó véletlenül bármilyen irányba eldobhat és ezáltal a kezelő vagy más személyek súlyos személyi sérülését okozhatják.

■ Ha a készülék a használat során bármilyen akadályba vagy törmelékbe ütközik, állítsa le a hófúvót, vegye ki akkumulátoregysége(ke)t, távolítsa el az akadályt, és mielőtt folytatná a munkát, vizsgálja át a készüléket, hogy nem keletkezett-e rajta sérülés.

▲ FIGYELMEZTETÉS: Soha ne nyúljon bele a kidobóba, és semmilyen testrészt ne helyezzen a hófúvó elé, amikor a készülék működik, illetve amikor az akkumulátoregység(ek) be van(nak) helyezve. Az akadályok eltávolítása előtt mindig bizonyosodjon meg arról, hogy az összes mozgó alkatrész leállt és az akkumulátoregység(ek) ki lett(ek) véve. A jelen utasítások be nem tartása súlyos személyi sérülést eredményezhet.

■ A munka megkezdése előtt figyelje meg a szél irányát. Amennyiben lehetséges, a hó kidobását ugyanarra végezze, amerre a szél fúj, így megakadályozhatja, hogy a szél a havat az arcába fújja.

■ Szélsőséges időjárási körülmények esetén a hófúvó egyes alkatrészei befagyhatnak. A készüléket ne próbálja befagyott alkatrészekkel működtetni.

■ Ha elkészült a munkával, még néhány percig hagyja járn a motort, ezzel elkerülheti a mozgó alkatrészek befagyását, majd néhányszor fordítsa a kidobóforgató fogantyút előre és hátra, hogy megszabadítsa az esetlegesen ráakadott jégtől. A kidobó talpáról minden havat és jeget távolítsa el.

■ Havas és hideg körülmények között bizonyos vezérlések és mozgó alkatrészek befagyhatnak. Ne fejtse ki túlzottan nagy erőt, amikor a befagyott vezérléseket próbálja működtetni. Ha nehézségekbe

ütközik bármely vezérlés vagy alkatrész működtetésekor, indítsa be a gépet „A HÓFÚVÓ INDÍTÁSA/LEÁLLÍTÁSA” c. részben bemutatottak alapján, és hagyja néhány percig működni.

KARBANTARTÁS

ÁLTALÁNOS KARBANTARTÁS

A műanyag alkatrészek tisztításához ne használjon oldószereket. A legtöbb műanyag különböző vegyi oldószerek hatására károsodik, ezek megrongálhatják őket. Használjon tiszta ruhát a szennyeződés, por, olaj, zsír, stb. eltávolításához.

A GÉP KENÉSE

A termék összes csapágya kiváló minőségű kenőanyaggal van kezelve, kellő mennyiségben ahhoz, hogy elegendő legyen a készülék teljes élettartamára, normál üzemi körülmények közötti használat esetén. Ezért a csapágy további kenése nem szükséges.

A CSÚSZÓTALPAK CSERÉJE ÉS BEÁLLÍTÁSA

1. Vegye ki az akkumulátorokat.
2. Lazítsa meg és vegye le a csavarokról az anyákat, tömítéseket és a csúszótalpat (G1 ábra).
3. Szükség esetén a csúszótalpat cserélje ki egy újra.
4. A csúszótalpak magassága az aktuális hónap megfelelően állítható anélkül, hogy a csavarokat teljesen ki kellene venni; csak lazítsa meg őket, állítsa be a csúszótalpak pozícióját, majd húzza meg a csavarokat újra (G2 ábra).

A NYÍRÓCSAPOK CSERÉJE

A nyírócsapok a csigatengelyben találhatók (H1 ábra). Ezek segítenek elnyelni az átesési nyomatókat, amikor a csiga akadályba ütközik a működés során, és védik a hajtóművet és a motort a sérülésektől.

H-1	Csigatengely	H-2	Nyírócsap
-----	--------------	-----	-----------

A nyírócsapok cseréjéhez vegye ki az akkumulátorokat. Távolítsa el a törött

nyírócsapot a csigatengelyből, és új csavarokkal tegye vissza.

MEGJEGYZÉS: A csigaegységen további két nyírócsap található; ha az eredeti eltörik, tegyen be helyette egy újat. (H2 ábra).

A HÓFÚVÓ TÁROLÁSA

▲ FIGYELEM: Az elcsúszás és elesés veszélyének elkerülése érdekében ügyeljen arra, hogy a hófúvóból kikerülő olvadtt havat teljesen feltakarítsa.

- Vegye ki az akkumulátor(oka)t és tegye biztonságos helyre, ahol gyermekek nem érhetik el.
- Mielőtt eltenné, töröljön le minden nedvességet, port vagy törmeléket az akkumulátor területéről.
- Tiszta, száraz ruhával törölje át a hófúvót.
- Ellenőrizze az összes anya, csavar és gomb stb. szorosságát.
- Vizsgálja át a mozgó alkatrészeket, hogy nincs-e rajtuk sérülés, törés vagy kopás. A sérült vagy hiányzó alkatrészeket javíttassa meg.
- A hófúvót tiszta, száraz, zárt helyen tárolja, ahol gyermekek nem férhetnek hozzá.
- Ne tárolja maró hatású anyagok közelében, pl. műtrágya vagy kősó.

Környezetvédelem



Ne dobja ki az elektromos készülékeket a szelektálatlan háztartási hulladékkal együtt, szelektív hulladékgyűjtő helyeken helyezze el ezeket.

Forduljon a helyi önkormányzathoz a rendelkezésre álló gyűjtőhelyekkel kapcsolatos információért.

Ha az elektromos berendezéseket hulladéklerakóban vagy szeméttelpeken ártalmatlanítják, olyan veszélyes anyagok kerülhetnek belőlük a talajvízbe, majd onnan a táplálkozási láncba, amelyek veszélyeztetik az egészséget és az emberi jólétet.

HIBAEHÁRÍTÁS

▲ FIGYELMEZTETÉS: Mindig vegye ki az akkumulátoregysége(ke)t a hófúvó szervizelése vagy szállítása közben. Mindig védje a kezét védőkesztyűvel, amikor karbantartást végez a hófúvó csigáján vagy kaparóján.

PROBLÉMA	OK	MEGOLDÁS
A hófúvó nem indul.	<ul style="list-style-type: none"> ■ Az akkumulátor töltöttségi szintje alacsony. ■ A csiga kapcsoló trigger nincs benyomva abban a pillanatban, amikor a LED jelzőfény zölden villog. ■ A csiga befagyott. ■ Az akkumulátor elhasználódott. Az akkumulátoron lévő LED jelzőfény narancssárgán villog vagy pirosan világít (lásd „AZ AKKUMULÁTOR MAGAS HŐMÉRSÉKLET ELLENI VÉDELME” c. részt ebben a kézikönyvben). 	<ul style="list-style-type: none"> ■ Töltse fel az akkumulátort. ■ Nyomja meg a csiga kapcsoló trigger, amikor a LED jelzőfény villog. Amikor a LED jelzőfény abbahagyja a villogást, a hófúvóra nem lesz hatással a csiga kapcsoló trigger benyomása. ■ Először vegye ki az akkumulátoregysége(ke)t, majd használja a mellékelt kidobótisztító eszközt a csigát akadályozó hó vagy jég eltakarításához. Indítsa újra a hófúvót. ■ Vegye ki a túlmelegedett akkumulátoregységet a hófúvóból, és várjon, amíg az akkumulátoregység körülbelül 67 °C-ra lehűl, majd tegye vissza az akkumulátort és indítsa újra a hófúvót.
A motor be van kapcsolva de a csiga nem forog.	<ul style="list-style-type: none"> ■ A nyírócsap eltört. 	<ul style="list-style-type: none"> ■ Cserélje ki a nyírócsapot a jelen kézikönyv „A NYÍRÓCSAPOK CSERÉJE” c. részében leírt módon.
A LED világításkapcsoló nem működik első nyomásra.	<ul style="list-style-type: none"> ■ A kulcs első elfordításának hatása a belső ellenőrzési folyamat miatt kis késleltetéssel jelentkezik. 	<ul style="list-style-type: none"> ■ Nyomja meg a LED világításkapcsolót, és tartsa nyomva 1 másodpercig.
Az akkumulátoron lévő LED jelzőfény bekapcsolva marad, amikor a csiga már leállt vagy az önműködő rendszer lekapcsolt.	<ul style="list-style-type: none"> ■ Az elektromos áramkör készenlétben van a következő újraindításhoz. Ha 5–10 percig nem használja a hófúvót, a LED automatikusan kikapcsolódik. 	<ul style="list-style-type: none"> ■ Hagyja úgy vagy vegye ki az akkumulátorokat az akkumulátor rekeszből.

HU

GARANCIA

Kérjük, látogasson el az egopowerplus.eu oldalra, ahol megtalálja a részletes EGO garanciális feltételeket.

CITIȚI TOATE INSTRUCȚIUNILE!

Utilizarea în scopul destinat: Îndepărtarea zăpezii din zone precum șoselele și trotuarele.

⚠ AVERTIZARE: Asigurați-vă că ați citit și înțelegeți toate instrucțiunile privind siguranța din acest Manual de utilizare, inclusiv toate simbolurile de alertă privind siguranța precum „**PERICOL**”, „**AVERTIZARE**” și „**ATENȚIE**” înainte de a utiliza această sculă. Nerespectarea tuturor instrucțiunilor enumerate mai jos poate duce la electrocutare, incendiu și/sau vătămări corporale grave.

⚠ AVERTIZARE: Exploatarea oricăror scule electrice se poate solda cu ricoșarea de obiecte străine în ochii dumneavoastră, ceea ce se poate solda cu vătămarea gravă a ochilor. Înainte de a începe să utilizați scula electrică, echipați-vă întotdeauna cu ochelari de protecție sau ochelari de protecție cu apărători laterale sau vizieră pentru față, atunci când este nevoie. Vă recomandăm să purtați o vizieră lată de protecție peste ochelarii de vedere sau ochelari de protecție standard cu apărători laterale.

SIMBOLURI DE SIGURANȚĂ



Alertă privind siguranța



Pentru a reduce riscul de vătămare, utilizatorul trebuie să citească și să înțeleagă manualul de instrucțiuni înainte de a utiliza acest produs.



Țineți picioarele și mâinile la distanță



Purtați întotdeauna ochelari de protecție sau ochelari de protecție cu apărători laterale și o vizieră facială completă când utilizați acest produs.



ATENȚIE: Nu priviți direct în lampă în funcționare.



PERICOL - Oprii motorul înainte de a decupla jghebul de evacuare. Pentru a reduce riscul de vătămare, țineți mâinile și picioarele la distanță de piesele rotative. Blocări, care ar trebui să fie eliberate numai după oprirea motorului și niciodată cu mâna.



Țineți picioarele la distanță de rotor



Deșeurile produselor electrice nu trebuie să fie eliminate împreună cu deșeurile menajere. Predați-le unui punct de reciclare autorizat.



Nivel de putere acustică garantat. Conform Directivei comunitare europene.



Acest produs este în conformitate cu directiva europeană aplicabilă.



Curent continuu



Acest produs este în conformitate cu legislația aplicabilă din Marea Britanie.

kg Kilogram

V Volt

IPX4 Protecție împotriva jeturilor de apă

RO

SPECIFICAȚII

Tensiune	56 V	
Lățime de curățare	61 cm	
Înălțime de admisie	51 cm	
Distanță de aruncare	13 m	
Mărimea roții	38 cm	
Greutate	68 kg	
Temperatură de funcționare recomandată	-20°C-10°C	
Temperatură de depozitare recomandată	-20°C-70°C	
Nivel de putere acustică măsurat L_{WA}	96,61 dB(A) K=1,6 dB(A)	
Nivel de presiune acustică la urechea operatorului L_{PA}	82,5 dB(A) K=4 dB(A)	
Nivel de putere acustică garantat L_{WA} (măsurat în conformitate cu 2000/14/CE)	98 dB(A)	
Valoarea vibrațiilor a_{11} :	Mâner stânga	0,3 m/s ² K=1,5 m/s ²
	Mâner dreapta	0,4 m/s ² K=1,5 m/s ²

RO

DESCRIERE

DESCRIEREA SUFLANTEI PENTRU ZĂPADĂ (Fig. A1 și A2)

- Șină laterală
- Capac pentru acumulatori
- Compartiment de acumulatori
- Roți
- Patină
- Faruri cu LED
- Platformă
- Instrument de curățare a jgheabului
- Jgheab de evacuare a zăpezii
- Deflectorul jgheabului
- Mâner posterior
- Lumini laterale cu LED
- Comutator de declanșare a melcului
- Mâner principal
- Manetă de comandă a vitezei melcului
- Buton de siguranță
- Manetă de comandă a vitezei pentru autopropulsie

- Declanșator pentru autopropulsie
- Mâner principal
- Buton luminos cu LED
- Indicator cu LED
- Mâner de rotație a jgheabului
- Mâner pentru deflectorul jgheabului
- Melc
- Bară de răzuire
- Buton de detașare a acumulatorului
- Contacte electrice

LISTA COMPONENTELOR (FIG. A3)

ASAMBLARE

MONTAREA/DETAȘAREA ROȚII

- Poziționați suflanta pentru zăpadă conform Fig. B pentru o montare mai ușoară.
- Scoateți garnitura exterioară și știftul de blocare a roților din arbore.
- Asamblați roata și garnitura exterioară. Blocați-le cu știftul de blocare a roților.

Observație: Verificați roata înainte de instalare pentru a vă asigura că săgeata roții este orientată înainte (Fig. B).

B-1	Garnitură exterioară	B-2	Știft de blocare a roților
-----	----------------------	-----	----------------------------

INSTALAREA ANSAMBLULUI MÂNERULUI

OBSERVAȚIE: Ansamblul mânerului necesită asamblare înainte de exploatarea suflantei pentru zăpadă (Fig. C1).

C-1	Buton de blocare	C-2	Ansamblul mânerului
-----	------------------	-----	---------------------

Desfaceți cele patru butoane de blocare și scoateți bolțurile.

Păstrați-le pentru reasamblare. Alegeți o poziție de funcționare confortabilă în funcție de înălțimea dvs. (Fig.C2). Ansamblul mânerului poate fi setat la trei înălțimi diferite. (Fig.C3 & Fig.C4 & Fig.C5)

Poziție de funcționare superioară conform Fig. C3

Poziție de funcționare mijlocie conform Fig. C4

Poziție de funcționare inferioară conform Fig. C5

INSTALAREA ANSAMBLULUI JGHEABULUI DE EVACUARE A ZĂPEZII

⚠️ AVERTIZARE: Nu acționați niciodată suflanta pentru zăpadă fără a avea instalat jgheabul complet de evacuare.

- Slăbiți butonul de pe stâlpul de susținere interior și scoateți bolțul (Fig. D1). Păstrați butonul și bolțul pentru reasamblare.

D-1	Jgheab de evacuare a zăpezii	D-2	Stâlp de susținere exterior
D-3	Buton	D-4	Stâlp de susținere interior
D-5	Bază	D-6	Bolț

- Ridicați ansamblul jgheabului de evacuare a zăpezii, aliniați stâlpul de susținere exterior cu stâlpul de susținere interior pentru a glisa pe poziție stâlpul de susținere exterior. Asigurați-vă că jgheabul de evacuare a zăpezii este așezat pe bază (Fig. D2).
- Asigurați ansamblul jgheabului de evacuare a zăpezii cu butonul și bolțul rezervate.
- Cu regulatorul de cablu încorporat se poate schimba forța de mișcare a mânerului de rotație a jgheabului, puteți reduce forța prin rotirea ușoară a regulatorului de cablu încorporat în sens invers acelor de ceasornic (Fig. D2). În schimb, forța va crește prin rotirea acestuia în direcția opusă. Rețineți că jgheabul de evacuare a zăpezii se va deplasa la stânga/dreapta în timpul utilizării dacă acesta este prea liber.

FUNCȚIONARE ATAȘAREA ȘI DETAȘAREA SETULUI DE ACUMULATORI

ÎNCĂRCAȚI ACUMULATORUL ÎNAINTE DE PRIMA UTILIZARE.

Utilizați numai seturile de acumulatori și încărcătoarele din fig. A4.

NOTĂ: Pentru cele mai bune performanțe, vă recomandăm utilizarea cu doi acumulatori Arc-Litiu EGO 56V de 5,0 Ah sau cu doi acumulatori Arc-Litiu EGO 56V de o capacitate mai mare.

Când nu sunt utilizați, acumulatorii de 56V trebuie depozitați într-o zonă închisă, unde temperatura nu va scădea sub -20°C.

Temperaturile optime de încărcare sunt cuprinse între 5°C și 40°C.

Pentru atașare

Împingeți setul de acumulatori în compartimentul de acumulatori până la auzul unui „clic”. (FIG. E1)

Pentru detașare

Apăsăți pe butonul de detașare a setului de acumulatori din compartimentul acestuia. (FIG. E2)

OBSERVAȚIE: Înainte de a începe utilizarea, asigurați-vă că zăvorul de pe suflanta pentru zăpadă intră în locaș cu un zgomot sec, iar acumulatorul este fixat pe poziție în suflantă.

PORNIREA/OPRIREA SUFLANTEI PENTRU ZĂPADĂ

⚠️ ATENȚIE: Nu încercați să anulați funcționarea butonului de siguranță.

⚠️ AVERTIZARE: Asigurați-vă că alte persoane și animale de companie rămân la cel puțin 30 de metri distanță de suflantă când este în funcțiune.

⚠️ AVERTIZARE: Melcul continuă să se rotească timp de câteva secunde după oprirea suflantei pentru zăpadă. Lăsați melcul să se oprească din rotație înainte de repornire.

OBSERVAȚIE: Nu porniți și opriți rapid suflanta pentru zăpadă.

Pornirea suflantei pentru zăpadă

- Asigurați-vă că ansamblul mânerului este reglat în siguranță la înălțimea corespunzătoare, ansamblul jgheabului de evacuare laterală este montat corect, jgheabul și deflectorul jgheabului sunt reglate la o poziție adecvată.
- Introduceți setul de acumulatori în suflanta pentru zăpadă și închideți capacul acumulatorului.
- Apăsăți **butonul de siguranță (A-16)** și mențineți-l apăsat o secundă, iar **indicatorul cu LED (A-21)** va lumina intermitent în verde. Apăsăți pe **comutatorul de declanșare a melcului (A-13)** pentru a porni suflanta pentru zăpadă în timp ce indicatorul cu LED luminează intermitent.

RO

OBSERVAȚIE: Suflanta pentru zăpadă poate fi pornită de la comutatorul de declanșare a melcului numai atunci când indicatorul cu LED luminează intermitent.

OBSERVAȚIE: Suflanta pentru zăpadă poate să nu pornească corect dacă temperatura acumulatorilor săi este de -20°C sau mai joasă. Dacă suflanta pentru zăpadă nu pornește, scoateți acumulatorul din suflanta pentru zăpadă și lăsați-l să se încălzească în interior timp de 10 minute sau mai mult. Reinstalați acumulatorul și încercați din nou.

Oprirea suflantei pentru zăpadă

Eliberați complet comutatorul de declanșare a melcului.

NOTĂ: Frâna electrică a mecanismului automat de frânare va opri melcul din rotație în 3 secunde de la eliberarea comutatorului de declanșare a melcului.

Sistem cu viteză variabilă a melcului

Viteza melcului poate fi reglată pentru a controla distanța de aruncare.

Pentru a mări/micșora viteza, împingeți maneta de control a vitezei melcului (A-15) înainte/înapoi.

Sistemul cu autopropulsie și viteză variabilă

Această suflantă pentru zăpadă este echipată cu autopropulsie și viteză variabilă. Este independentă de rotația melcului.

Pentru a utiliza sistemul cu autopropulsie fără rotirea melcului, apăsați pe **declanșatorul pentru autopropulsie (A-18)** spre mâner. Pentru a mări viteza, deplasați **maneta controlului vitezei de autopropulsie (A-17)** spre înainte. Pentru a micșora viteza, deplasați maneta controlului vitezei de autopropulsie spre înapoi.

Pentru a opri funcția de autopropulsie, eliberați declanșatorul pentru autopropulsie.

Pentru a deplasa suflanta pentru zăpadă înapoi, opriți mai întâi funcția de autopropulsie; trageți maneta de reglare a vitezei de autopropulsie în poziția **REVERSE (ÎNAPOI)**, apoi apăsați pe declanșatorul pentru autopropulsie.

OBSERVAȚIE: Viteza este fixată la acționarea suflantei pentru zăpadă în sens invers cu autopropulsie; maneta de control al vitezei nu poate schimba viteza în marșarier.

OBSERVAȚIE: Suflanta pentru zăpadă nu poate fi comutată pentru a se deplasa înapoi în timp ce funcția de autopropulsie o deplasează înainte.

LEGĂTURA DINTRE COMUTATORUL DE DECLANȘARE A MELCULUI ȘI DECLANȘATORUL PENTRU AUTOPROPULSIE

Când sunt apăstate în același timp declanșatorul pentru autopropulsie (A-18) și comutatorul de **declanșare a melcului (A-13)**, apoi se eliberează comutatorul de declanșare a melcului (dreapta), iar comutatorul de declanșare a melcului va rămâne cuplat. Această caracteristică vă permite să reglați viteza de rotație, viteza de autopropulsie și direcția de descărcare a zăpezii în timp ce melcul se rotește.

Pentru a opri melcul, eliberați declanșatorul pentru autopropulsie, atât funcția melcului, cât și funcția de autopropulsare se vor opri.

REGLAREA JGHEABULUI ȘI A DEFLECTORULUI

Jgheabul poate fi reglat pentru a schimba atât direcția, cât și distanța zăpezii evacuate, pentru a vă ajuta să îndepărtați zăpada dintr-o zonă și să o amplasați în alta.

Direcția de deszăpezire poate fi reglată până la stânga 100° și la dreapta 100°.

Trageți **mânerul de rotație a jgheabului (A-22)** spre stânga/dreapta pentru a roti jgheabul spre stânga/dreapta.

Distanța de aruncare a suflantei pentru zăpadă se reglează prin deplasarea deflectorului jgheabului în sus sau în jos.

Pentru a mări sau a micșora distanța pe care este aruncată zăpada, trageți înapoi sau înainte **mânerul deflectorului jgheabului (A-23)** pentru a ridica sau a coborî **deflectorul jgheabului (A-10)**. Odată ce ajungeți la poziția dorită a deflectorului jgheabului, cuplați mânerul deflectorului jgheabului în fanta de blocare (F-1) (Fig. F).

FUNCȚIONAREA LUMINILOR LATERALE CU LED (A-12) ȘI A FARURILOR (A-6)

Apăsăți pe butonul luminos cu LED o dată pentru a porni luminile laterale și farurile.

Apăsăți pe butonul luminos cu LED de două ori pentru a stinge luminile laterale.

Apăsăți pe butonul luminos cu LED de trei ori pentru a stinge toate luminile.

OBSERVAȚIE: Toate luminile cu LED se vor stinge automat dacă suflanta pentru zăpadă nu este acționată în 5 minute.

INDICATORUL CU LED (A-21) DE PE SUFLANTA PENTRU ZĂPADĂ

Suflanta pentru zăpadă este echipată cu un indicator cu LED pentru a indica nivelul de încărcare al setului de acumulatori și starea de lucru a suflantei pentru zăpadă.

INDICATOR CU LED	Semnificație	Acțiune
Se aprinde în verde	Suflanta pentru zăpadă funcționează corect; fiecare acumulator are un nivel de încărcare de minim 15%.	Nu este cazul.
Roșu intermitent	Acumulatorul este aproape descărcat.	Opriti suflanta pentru zăpadă și încărcați setul de acumulatori.
Verde și roșu intermitent alternativ	Eroare	Contactați centrul de servicii pentru clienți EGO.
Se aprinde în portocaliu	Suflanta pentru zăpadă se oprește din cauza supraîncălzirii.	Scoateți setul de acumulatori din suflanta pentru zăpadă, deplasați-l la umbră și lăsați să se răcească cel puțin 15 minute.

Portocaliu intermitent	Suflanta pentru zăpadă este supraîncărcată.	Mai întâi scoateți setul de acumulatori, apoi verificați și curățați dacă s-a adunat zăpadă sub platformă. Încetiniți ritmul când se deplasează zăpadă. Dacă acest lucru nu funcționează, vă rugăm să contactați centrul de servicii pentru clienți EGO.
Oprit și LED aprins intermitent	Acumulatorul este supraîncălzit. (Consultați secțiunea „PROTECȚIA ÎMPOTRIVA SUPRAÎNCĂLZIRII ACUMULATORULUI” din acest manual)	Scoateți acumulatorul din suflanta pentru zăpadă și așteptați până când acumulatorul se răcește până la aproximativ 67°C, apoi reinstalați acumulatorul și reporniți suflanta pentru zăpadă.

RO

PROTECȚIE LA SUPRASARCINĂ A SUFLANTEI PENTRU ZĂPADĂ

Suflanta dvs. pentru zăpadă are încorporate elemente de sensibilitate la suprasarcină. Când suflanta pentru zăpadă este supraîncărcată, motorul va scădea automat viteza și veți auzi că volumul motorului scade. Încetiniți ritmul sau restrângeți lățimea de curățare, atunci viteza motorului va relua automat setarea normală. Dacă acest remediu nu rezolvă situația de suprasarcină, senzorul va opri automat motorul, iar indicatorul cu LED de pe suflanta pentru zăpadă va lumina intermitent în portocaliu. Scoateți setul de acumulatori din suflanta pentru zăpadă, așteptați 10 secunde și verificați dacă există zăpadă sau gheață blocată în melc și pe platformă. Dacă este necesar, urmați instrucțiunile pentru „Curățarea unui igheab înfundat”. Reinstalați acumulatorii și reporniți suflanta pentru zăpadă.

CURĂȚAREA UNUI JGHEAB ÎNFUNDAT

⚠️ AVERTIZARE: Utilizați întotdeauna instrumentul de curățare a jgheabului (A-8) care este atașat la mașină ca accesoriu, nu folosiți mâna.

PROTECȚIA ÎMPOTRIVA SUPRĂÎNCĂLZIRII ACUMULATORULUI

Setul de acumulatori va genera căldură în timpul funcționării. Căldura se disipează mai lent pe timp de vreme caldă. Dacă temperatura acumulatorului depășește 70°C în timpul utilizării, circuitul de protecție va opri automat suflanta pentru zăpadă pentru a proteja setul de acumulatori de deteriorare de la căldură. Indicatorul de stare al suflantei pentru zăpadă se va stinge, despre LED-ul acumulatorului, consultați secțiunea „PROTECȚIA ACUMULATORULUI” din manualul de utilizare a acumulatorului pentru detalii. Eliberați mânerul întrerupător, așteptați până când setul de acumulatori se răcește până la aproximativ 67°C, după care reporniți suflanta pentru zăpadă.

SFATURI PRIVIND UTILIZAREA

⚠️ PERICOL: Nu folosiți niciodată o suflantă pentru zăpadă pe lacuri înghețate, râuri sau suprafețe similare. Ar putea surveni decesul sau vătămarea gravă dacă gheața se sparge.

⚠️ PERICOL: Nu folosiți niciodată suflanta pentru zăpadă pe acoperiș sau pe altă suprafață instabilă, deoarece acest lucru poate duce la deces sau vătămări corporale grave.

⚠️ AVERTIZARE: Nu folosiți suflanta pentru zăpadă pe gheață, deoarece acest lucru poate cauza alunecarea și căderea operatorului, ceea ce poate duce la vătămări corporale grave.

⚠️ AVERTIZARE: Nu purtați haine largi, eșarfe sau bijuterii. Pot fi prinse în părțile mobile și pot provoca decesul sau vătămări corporale grave.

⚠️ AVERTIZARE: Mențineți toate evacuările de zăpadă îndreptate în sens opus tuturor dispozitivelor electrice pentru a reduce riscul de electrocutare sau de șocuri electrice.

⚠️ AVERTIZARE: Nu îndreptați niciodată suflanta pentru zăpadă sau jgheabul de evacuare în direcția oamenilor sau a animalelor de companie. Zăpada aruncată sau alte obiecte pot provoca vătămări corporale grave.

⚠️ AVERTIZARE: Asigurați-vă că zona care trebuie curățată este lipsită de pietre, bețe, sârmă, pietriș și alte obiecte care ar putea fi aruncate accidental de suflantă în orice direcție și ar putea provoca vătămări corporale grave operatorului și altor persoane.

- Dacă unitatea intră în contact cu orice tip de obstacol sau resturi în timpul utilizării, opriți suflanta pentru zăpadă, scoateți setul de acumulatori, îndepărtați obstacolul și inspectați cu atenție unitatea înainte de a continua.

⚠️ AVERTIZARE: Nu intrați niciodată în jgheabul de evacuare și nu așezați nicio parte a corpului în fața suflantei de zăpadă atunci când unitatea funcționează sau când este instalat setul de acumulatori. Asigurați-vă întotdeauna că toate părțile mobile se opresc și setul de acumulatori a fost scos înainte de a curăța zona de orice obstacole. Nerespectarea acestor instrucțiuni se poate solda cu vătămări corporale grave.

- Observați direcția vântului înainte de pornire. Când este posibil, descărcați zăpada în aceeași direcție ca a vântului, pentru a împiedica zăpada să fie aruncată înapoi.
- Unele piese ale suflantei de zăpadă pot îngheța în condiții meteorologice extreme. Nu încercați să acționați unitatea cu piese înghețate.
- După ce ați terminat, lăsați motorul să funcționeze câteva minute suplimentare pentru a preveni înghețarea pieselor mobile, apoi întoarceți mânerul de rotație al jgheabului înainte și înapoi de mai multe ori pentru a-l elibera de orice acumulare de gheață. Asigurați-vă că curățați orice zăpadă și gheață de la baza jgheabului.

- În condiții de zăpadă și frig, unele comenzi și piese mobile pot îngheța. Nu folosiți forță excesivă atunci când încercați să acționați comenzi înghețate. Dacă aveți dificultăți în exploatarea oricărei comenzi sau a unei piese, porniți mașina ca în secțiunea „**PORNIREA/OPRIREA SUFLANTEI PENTRU ZĂPADĂ**” și lăsați-o să funcționeze câteva minute.

ÎNTREȚINERE

ÎNTREȚINERE GENERALĂ

Evitați utilizarea solventilor când curățați piese din plastic. Majoritatea pieselor din plastic sunt susceptibile să se deterioreze de la diverse tipuri de solvenți comerciali și se pot defecta prin utilizarea acestora. Utilizați o cârpă curată pentru a îndepărta murdăria, praful, uleiul, vaselina etc.

LUBRIFIEREA MAȘINII

Toate rulmenții din acest produs sunt lubrifiați cu o cantitate suficientă de lubrifianț de înaltă calitate pentru viața unității în condiții normale de funcționare. Prin urmare, nu este necesară o lubrifiere suplimentară a rulmenților.

ÎNLOCUIREA ȘI REGLAREA PATINELOR

1. Scoateți acumulatorii.
2. Desfaceți și îndepărtați piulițele, garniturile și patina de pe șuruburi (Fig.G1).
3. Înlocuiți patina cu una nouă, dacă este necesar.
4. Înălțimea patinelor poate fi reglată în funcție de condițiile reale de zăpadă, fără a îndepărta complet piulițele, doar desfăcându-le, reglați poziția patinei și apoi strângeți-le din nou (Fig.G2).

ÎNLOCUIREA ȘTIFTULUI DE FORFECARE

Știfturile de forfecare sunt situate în axul melcului (Fig. H1). Acestea ajută la absorbția cuplului de blocare instantaneu, atunci când melcul lovește obstacole în timpul lucrului și protejează cutia de viteze și motorul de deteriorare.

H-1	Axul melcului	H-2	Știft de forfecare
-----	---------------	-----	--------------------

Pentru a înlocui știfturile de forfecare, scoateți acumulatorii, îndepărtați știftul de forfecare rupt din axul melcului și înlocuiți-l cu bolțuri noi.

OBSERVAȚIE: Două știfturi de forfecare suplimentare sunt depozitate pe ansamblul jgheabului, înlocuiți-l cu unul nou dacă cel original este rupt. (Fig. H2).

DEPOZITAREA SUFLANTEI PENTRU ZĂPADĂ

⚠ ATENȚIE: Asigurați-vă că toată zăpada topită care ar putea curge de la suflanta de zăpadă este ștersă în mod corespunzător pentru a preveni pericolul de alunecare și cădere.

- Scoateți setul de acumulatori și depozitați-l într-o locație sigură, inaccesibilă copiilor.

Înainte de depozitare, ștergeți orice umiditate, murdărie sau resturi din zona acumulatorului.

- Ștergeți suflanta pentru zăpadă cu o cârpă uscată și curată.
- Verificați să fie strânse toate piulițele, bolțurile, butoanele, șuruburile etc.
- Inspectați piesele în mișcare pentru a depista eventuale deteriorări, rupturi și uzuri. Efectuați reparații la orice piese deteriorate sau absente.
- Depozitați suflanta pentru zăpadă într-un loc curat, uscat și închis, inaccesibil copiilor.
- Nu depozitați mașina în apropierea materialelor corozive precum fertilizanți sau sare gemă.

RO

Protejarea mediului înconjurător



Nu eliminați aparatele electrocasnice ca deșeu municipal nesortat, utilizați centrele de colectare separată.



Contactați autoritățile locale pentru informații privind sistemele disponibile de colectare.

Dacă aparatele electrocasnice sunt eliminate la groapa de gunoi sau la haldă, se pot scurge substanțe periculoase în pânza freatică și acestea pot intra în lanțul trofic, afectându-vă sănătatea și bunăstarea.

DEPANARE

⚠️ AVERTIZARE: Scoateți întotdeauna setul de acumulatori când efectuați operații de întreținere sau transportați suflanta pentru zăpadă. Protejați-vă întotdeauna mâinile purtând mănuși când efectuați orice operație de întreținere a suflantei pentru zăpadă, a melcului sau a răzuitorului.

PROBLEMĂ	CAUZĂ	SOLUȚIE
Suflanta pentru zăpadă nu pornește.	<ul style="list-style-type: none"> ▪ Încărcarea acumulatorului este redusă. ▪ Comutatorul de declanșare a melcului nu este apăsat în momentul în care indicatorul cu LED luminează intermitent în verde. ▪ Melcul este înghețat de zăpadă sau gheață. ▪ Acumulatorul este supraîncălzit. Indicatorul cu LED de pe acumulator luminează intermitent în portocaliu sau devine roșu (consultați secțiunea „PROTECȚIA ÎMPOTRIVA SUPRAÎNCĂLZIRII ACUMULATORULUI” din acest manual). 	<ul style="list-style-type: none"> ▪ Încărcați setul de acumulatori. ▪ Apăsați pe comutatorul de declanșare a melcului când indicatorul cu LED luminează intermitent. Dacă indicatorul cu LED se oprește să lumineze intermitent, suflanta pentru zăpadă nu va răspunde la apăsarea comutatorul de declanșare a melcului. ▪ Scoateți mai întâi setul de acumulatori, folosiți instrumentul furnizat de curățare a jgheabului, pentru a curăța zăpada sau gheața care obturează melcul. Reporniți suflanta pentru zăpadă. ▪ Scoateți acumulatorul supraîncălzit din suflanta pentru zăpadă și așteptați până când acumulatorul se răcește până la aproximativ 67°C, apoi reinstalați acumulatorul și reporniți suflanta pentru zăpadă.
Motorul este pornit, dar melcul nu se rotește.	<ul style="list-style-type: none"> ▪ Știftul de forfecare este rupt. 	<ul style="list-style-type: none"> ▪ Înlocuiți știftul de forfecare urmând instrucțiunile din secțiunea „ÎNLOCUIREA ȘTIFTULUI DE FORFECARE” din acest manual.
Butonul luminos cu LED este insensibil la prima apăsare.	<ul style="list-style-type: none"> ▪ Procesul de autocontrol intern provoacă o ușoară întârziere în primul răspuns la apăsarea tastei. 	<ul style="list-style-type: none"> ▪ Apăsați pe butonul luminos cu LED și mențineți-l apăsat timp de 1 secundă.

RO

PROBLEMĂ	CAUZĂ	SOLUȚIE
Indicatorul cu LED de pe acumulatori rămâne aprins după ce se oprește melcul suflantei pentru zăpadă sau sistemul de autopropulsie.	<ul style="list-style-type: none">■ Circuitul electric este în așteptare pentru repornirea următoare. LED-ul se va stinge automat dacă suflanta pentru zăpadă nu este acționată în 5 până la 10 minute.	<ul style="list-style-type: none">■ Lăsați-l sau scoateți acumulatorii din compartimentul pentru acumulatori.

GARANȚIE

Vă rugăm să consultați site-ul egopowerplus.eu pentru termenii și condițiile complete ale politicii privind garanția EGO.

RO

PREBERITE VSA NAVODILA!

Predvidena uporaba: odstranjevanje snega z območij, kot so dovozi in pločniki.

⚠ OPOZORILO: poskrbite, da pred uporabo tega orodja preberete in razumete vsa varnostna navodila v tem priročniku za uporabo, vključno z vsemi simboli za varnostna opozorila, kot so »NEVARNOST«, »OPOZORILO«, in »SVARILO«. Zaradi neupoštevanja spodaj navedenih navodil lahko pride do električnega udara, požara in/ali resnih telesnih poškodb.

⚠ OPOZORILO: delovanje katerega koli električnega orodja lahko povzroči izmet tujkov v vaše oči, kar lahko povzroči resne poškodbe očesa. Pred začetkom dela z električnim orodjem vedno nosite zaščitna ali varnostna očala s stranskimi zaščitami ali po potrebi ščitnik za obraz. Priporočamo vam uporabo varnostne maske Wide Vision Safety Mask za uporabo prek očal ali standardnih varnostnih očal s stransko zaščito.

VARNOSTNI SIMBOLI



Varnostno opozorilo



Za zmanjšanje nevarnosti telesnih poškodb je pomembno, da uporabnik pred uporabo tega izdelka prebere in razume priročnik za uporabo.



Ne približujte stopal in rok



Pri upravljanju tega izdelka vedno nosite zaščitna očala ali varnostna očala s stransko zaščito in ščitnik za obraz.



POZOR: Ne zrite v sijalko za prikaz delovanja.



NEVARNOST – pred odpravljanjem blokade v žlebu za izmet izklopite motor. Za zmanjšanje tveganja za telesne poškodbe držite roki in stopali stran od vrtečih se delov. Blokade je treba odpravljati le po izklopu motorja, vendar nikoli z golima rokama.



Stopal ne vstavljajte v rotor puhal



Odpadnih električnih izdelkov ne odlagajte med gospodinjske odpadke. Odnosite jih v pooblaščen obrat za recikliranje.



Zajamčena raven zvočne moči. V skladu z direktivo Evropske skupnosti.



Ta izdelek je skladen z veljavno direktivo ES.



Enosmerni tokovi



Ta izdelek je v skladu z veljavno zakonodajo Združenega kraljestva.

kg

Kilogram

V

Volt

IPX4

Zaščita pred vodnimi curki

SL

TEHNIČNI PODATKI

Napetost	56 V	
Širina čiščenja	61 cm	
Višina vnosa	51 cm	
Velikost kolesa	38 cm	
Teža	68 kg	
Priporočena obratovalna temperatura	od -20°C do 10°C	
Priporočena temperatura za shranjevanje	od -20°C do 70°C	
Izmerjena raven zvočne moči L_{WA}	96,61 dB(A) K=1,6 dB(A)	
Raven zvočnega tlaka v ušesu upravljavca L_{PA}	82,5 dB(A) K=4 dB(A)	
Zajamčena raven zvočnega tlaka L_{WA} (izmerjena v skladu z direktivo 2000/14/ES)	98 dB(A)	
Vrednotenje oddajanja vibracij a_v :	Levi ročaj	0,3 m/s ² K=1,5 m/s ²
	Desni ročaj	0,4 m/s ² K=1,5 m/s ²

SL

OPIS

SPNOZNAJTE SVOJO SNEŽNO FREZO (slika A1 in A2)

1. Stranski ročaj
2. Pokrov prostora za baterije
3. Prostor za baterijo
4. Kolesa
5. Drсна noga
6. Žarometi LED
7. Pokrov
8. Orodje za čiščenje žleba
9. Žleb za izmet snega
10. Deflektor žleba
11. Zadnji ročaj
12. Stranske luči LED
13. Sprožilnik stikala polža
14. Glavni ročaj
15. Vzvod za nadzor hitrosti polža
16. Varnostni gumb
17. Vzvod za nadzor hitrosti samovožnje
18. Sprožilnik samovožnje
19. Glavni ročaj
20. Gumb za lučko LED

21. Indikator LED
22. Rotacijski ročaj žleba
23. Ročaj deflektorja žleba
24. Polž
25. Strgalna letev
26. Gumb za sprostitve baterije
27. Električni kontakti

VSEBINA PAKETA (SL. A3)

SESTAVLJANJE

MONTAŽA/ODSTRANJEVANJE KOLESA

1. Za lažjo montažo postavite snežno frezo v položaj v skladu s sliko B.
2. Z gredi odstranite zunanje tesnilo in zaklepni zatič za kolesa.
3. Sestavite kolo in zunanje tesnilo. Zaklenite ju z zaklepnim zatičem za kolesa.

Opomba: pred namestitvijo pregledajte kolo in se prepričajte, da je puščica na kolesu usmerjena naprej (sl. B).

B-1	Zunanje tesnilo	B-2	Zaklepni zatič za kolesa
-----	-----------------	-----	--------------------------

ZA NAMESTITEV SKLOPA ROČAJA

OPOMBA: Sklop ročaja je treba sestaviti pred upravljanjem snežne freze (sl. C1).

C-1	Gumb za zaklep	C-2	Sklop ročaja
-----	----------------	-----	--------------

Odvijte štiri gumbje za zaklep in izvlecite sornike. Shranite jih za ponovno sestavljanje. Izberite udoben položaj za upravljanje v skladu s svojo višino (sl. C2). Sklop ročaja je mogoče nastaviti na tri različne višine. (sl. C3 in sl. C4 in sl. C5)

Zgornji delovni položaj v skladu s sliko C3

Srednji delovni položaj v skladu s sliko C4

Spodnji delovni položaj v skladu s sliko C5

ZA NAMESTITEV SKLOPA ŽLEBA ZA IZMET SNEGA

⚠ OPOZORILO: Snežne freze nikoli ne upravljajte brez povsem nameščenega žleba za izmet.

1. Odvijte gumb na notranjem opornem drogu in odstranite sornik (sl. D1). Gumb in sornik shranite za ponovno sestavljanje.

D-1	Žleb za izmet snega	D-2	Zunanji oporni drog
D-3	Gumb	D-4	Notranji oporni drog
D-5	Podnožje	D-6	Sornik

2. Dvignite sklop žleba za izmet snega, poravnajte zunanji oporni drog z notranjim opornim drogom, da potisnete zunanji oporni drog v položaj. Prepričajte se, da je žleb za izmet snega nameščen na podnožje (sl. D2).
3. Sklop žleba za izmet snega pritrдите s shranjenima gumbom in sornikom.
4. S priloženim kabelskim regulatorjem lahko poljubno spremenite gibljivo silo ročice za vrtenje žleba, silo lahko zmanjšate tako, da vgrajeni regulator rahlo zavrtite v nasprotni smeri urnega kazalca (sl. D2). Z obračanjem v nasprotno smer pa se bo sila povečala. Upoštevajte, da se bo žleb za odvajanje snega med uporabo nagibal levo/desno, če bo zrahljan.

UPRAVLJANJE

ZA NAMESTITEV/ODSTRANITEV BATERIJSKEGA SKLOPA

NAPOLNITE PRED PRVO UPORABO.

Izdelek uporabljajte le z baterijskimi sklopi in polnilniki, navedenimi na sl. A4.

OPOMBA: Za najboljše delovanje priporočamo uporabo dveh litijevih baterij ARC EGO 5,0 Ah, 56 V ali dveh litijevih baterij ARC EGO 56 V z večjo zmogljivostjo.

Kadar baterijski sklopi 56 V niso v uporabi, jih je treba shraniti v zaprt prostor, v katerem se temperatura ne bo znižala pod -20°C . Optimalna temperatura polnjenja je med 5°C in 40°C .

Napotki za priključitev

Baterijski sklop potiskajte v prostor za baterije, dokler ne zaslišite, da se zaskoči s klikom. (SL. E1)

Napotki za odklop

V prostoru za baterije pritisnite gumb za sprostitve baterije. (SL. E2)

OPOMBA: Pred uporabo se prepričajte, da se zaklep na snežni frezi zaskoči na mesto in da je (so) baterijski sklop(-i) pritrjen(-i) na enoto.

ZAGON/ZAUSTAVITEV SNEŽNE FREZE

⚠ POZOR: ne poskušajte zaobiti delovanja varnostnega gumba.

⚠ OPOZORILO: poskrbite, da bodo drugi ljudje in domače živali vsaj 30 m stran od snežne freze, ko je ta v uporabi.

⚠ OPOZORILO: po izklopu snežne freze se bo vrtenje polža še nekaj sekund nadaljevalo. Pred ponovnim zagonom počakajte, da se polž preneha vrteti.

OPOMBA: snežne freze ne vklaplajate in izklaplajate hitro.

Za zagon snežne freze

1. Prepričajte se, da je sklop ročaja varno nastavljen na ustrezno višino, da je stranski sklop žleba za izmet pravilno nameščen ter da sta žleb in deflektor žleba prilagojena za ustrezni položaj.
2. Baterijski(-e) sklop(-e) vstavite v snežno frezo in zaprite pokrov prostora za baterije.
3. Pritisnite **varnostni gumb (A-16)** in ga pridržite za 1 sekundo, **indikator LED (A-21)** pa bo utripal zeleno. Za vklop snežne freze med utripanjem indikatorja LED pritisnite **sprožilnik stikala polža (A-13)**.

OPOMBA: snežno frezo je mogoče vklopiti prek sprožilnika stikala polža le, če indikator LED utripa.

OPOMBA: če je temperatura baterij -20°C ali manj, se snežna freza morda ne bo pravilno zagnala. Če se snežna freza ne zažene, odstranite baterijo iz snežne freze in počakajte 10 minut ali več, da se v notranjem prostoru segreje. Znova vstavite baterijo in poskusite znova.

Za ustavitev snežne freze

Popolnoma sprostite sprožilnik stikala polža.

OPOMBA: električna zavora v avtomatskem zavornem mehanizmu bo vrtenje polža ustavila v 3 sekundah po sprostitvi stikala polža.

Sistem s spremenljivo hitrostjo polža

Hitrost polža je mogoče prilagoditi za nadzor razdalje izmeta.

Za zvišanje/znižanje hitrosti potisnite vzvod za nadzor hitrosti polža (A-15) naprej/nazaj.

Samohodni sistem s spremenljivo hitrostjo

Ta snežna freza ima zmogljivost samovožnje s spremenljivo hitrostjo. Deluje neodvisno od vrtenja polža.

Za upravljanje samohodnega sistema brez vrtenja polža potisnite **sprožilnik samovožnje (A-18)** proti ročaju. Za povečanje hitrosti pomaknite **vzvod za nadzor hitrosti samovožnje (A-17)** naprej. Za zmanjšanje hitrosti pomaknite vzvod za nadzor hitrosti samovožnje nazaj.

Za izklop funkcije samovožnje sprostite sprožilnik samovožnje.

Za vzvratno pomikanje snežne freze najprej ustavite funkcijo samovožnje, povlecite vzvod za nadzor hitrosti samovožnje v položaj **VZVRATNO**, nato pa pritisnite sprožilnik samovožnje.

OPOMBA: pri upravljanju snežne freze med vzvratnim premikanjem s samovožnjo je hitrost nespremenljiva. Med vzvratnim premikanjem ni mogoče spremeniti hitrosti z vzvodom za nadzor hitrosti.

SL

OPOMBA: snežne freze ni mogoče preklopiti na vzvratno vožnjo, medtem ko jo funkcija samovožnje pomika naprej.

SPROŽILNIK STIKALA POLŽA IN SKLEP SPROŽILNIKA SAMOVOŽNJE

Če hkrati pritisnete **sprožilnik samovožnje (A-18)** in **sprožilnik stikala polža (A-13)**, nato pa sprostite sprožilnik stikala polža (desna roka), ostane sprožilnik stikala polža aktiviran. S to funkcijo lahko prilagajate hitrost polža, hitrost samovožnje in smer izmetavanja snega med vrtenjem polža.

Za ustavev polža sprostite sprožilnik samovožnje in tako polž kot funkcija samovožnje se bosta ustavila.

PRILAGAJANJE ŽLEBA IN DEFLEKTORJA

Žleb je mogoče prilagajati za spreminjanje smeri in razdalje izmetanega snega kot pomoč pri premikanju snega z enega območja na drugega.

Smer odstranjevanja snega je mogoče prilagajati do 100° v levo in 100° v desno stran.

Rotacijski ročaj žleba (A-22) povlecite v levo/desno, da žleb zavrtite v levo/desno stran.

Razdaljo izmeta snežne freze prilagodite tako, da deflektor žleba pomikate navzgor ali navzdol.

Za povečanje ali pomanjšanje razdalje izmetavanja snega povlecite **ročaj deflektorja žleba (A-23)** nazaj ali naprej, da dvignete ali spustite **deflektor žleba (A-10)**. Po prispetju v želeni položaj deflektorja žleba, pomaknite ročaj deflektorja žleba v zaklepno režo (F-1) (sl. F).

SL

DELOVANJE STRANSKIH LUČI LED (A-12) IN ŽAROMETOV (A-6)

Enkrat pritisnete gumb za lučko LED, da vklopite stranske luči in žaromete.

Dvakrat pritisnete gumb za lučko LED, da izklopite stranske luči.

Trikrat pritisnete lučko LED, da izklopite vse luči.

OPOMBA: če snežne freze ne upravljate v 5 minutah, se vse luči LED samodejno izklopijo.

INDIKATOR LED (A-21) NA SNEŽNI FREZI

Snežna freza je opremljena z indikatorjem LED, ki nakazuje stanje napoljenosti baterijskega(-ih) sklopa(-ov) in delovno stanje snežne freze.

INDIKATOR LED	Pomen	Dejanje
Sveti zeleno	Snežna freza deluje pravilno, stanje napoljenosti vsake baterije je vsaj 15 %.	N/V
Utripa rdeče	Baterija je skoraj prazna.	Ustavite snežno frezo in napolnite baterijski(-e) sklop(-e).
Izmenično utripa zeleno in rdeče	Napaka	Obrnite se na servisni center družbe EGO
Sveti oranžno	Snežna freza se ustavi zaradi pregretja.	Iz snežne freze odstranite baterije, jih postavite v senco in jih vsaj 15 minut ohlajajte.
Utripa oranžno	Snežna freza je preobremenjena.	Najprej odstranite baterijski sklop, nato preglejte izdelek glede nabranega snega pod pokrovom in ga očistite. Pri odstranjevanju snega zmanjšajte hitrost. Če to ne pomaga, se obrnite na servisni center družbe EGO.
IZKLOP in utripa lučka LED na bateriji	Pregrevanje baterije. (glejte razdelek »ZAŠČITA BATERIJE PRED VISOKO TEMPERATURU« v tem priročniku)	Iz snežne freze odstranite baterijo in počakajte, dokler se baterijski sklop ne ohladi na približno 67 °C, nato pa znova vstavite baterijo in znova zaženite snežno frezo.

ZAŠČITA PRED PREOBREMITIVJO NA SNEŽNI FREZI

Vaša snežna freza ima vgrajene elemente za zaznavanje preobremenitve. Če je snežna freza preobremenjena, motor samodejno zniža hitrost in zaslisi obseg znižanja hitrosti motorja. Zmanjšajte hitrost ali zožite širino čiščenja in hitrost motorja bo samodejno preklopljena na običajno nastavitve. Če s to rešitvijo ne odpravite težave s preobremenitvijo, senzor samodejno izklopi motor, indikator LED na snežni frezi pa utripa oranžno. Odstranite baterijski(-e) sklop(-e) iz snežne freze, počakajte 10 sekund ter izdelek pregledajte, da vidite, ali se je na polžu in pokrovu nabral sneg ali led. Po potrebi upoštevajte navodila za »Čiščenje zamašenega žleba«. Znova vstavite baterije in znova zaženite snežno frezo.

ČIŠČENJE ZAMAŠENEGA ŽLEBA

⚠ OPOZORILO: vedno uporabljajte **orodje za čiščenje žleba (A-8)**, ki je pritrjeno na stroj kot dodatek, in ne uporabljajte golih rok.

ZAŠČITA BATERIJE PRED VISOKO TEMPERATURO

Baterijski sklop med delovanjem ustvarja toploto. Toplota se v vročem vremenu oddaja počasneje. Če temperatura baterije med delovanjem preseže 70 °C, zaščitno vezje snežno frezo nemudoma izklopi zaradi zaščite baterijskega sklopa pred poškodbami na podlagi vročine. Indikator stanja na snežni frezi se izklopi; za podrobnosti o lučki LED na bateriji glejte razdelek »ZAŠČITA BATERIJE« v priročniku za uporabo baterije. Sprostite varnostno stikalo in počakajte, da se baterijski sklop ohladi na približno 67 °C, nato pa snežno frezo znova zaženite.

NASVETI ZA UPORABO

⚠ NEVARNOST: snežne freze nikoli ne uporabljajte na zamrznjenih jezerih, rekah ali podobnih površinah. Če se led zlomi, lahko pride do resnih telesnih poškodb ali smrti.

⚠ NEVARNOST: snežne freze nikoli ne uporabljajte na strehi ali drugi nestabilni površini, saj lahko pride do resne telesne poškodbe ali smrti.

⚠ OPOZORILO: snežne freze ne uporabljajte na ledu, saj vam lahko zdrsne in padete, na podlagi česar lahko pride do resnih telesnih poškodb.

⚠ OPOZORILO: ne nosite ohlapnih oblačil, šalov ali nakita. Lahko bi se zataknili v premične dele in povzročili resno telesno poškodbo ali smrt.

⚠ OPOZORILO: ves izmet snega usmerite proč od vseh električnih naprav, da zmanjšate tveganje za elektrošok ali smrt zaradi električnega udara.

⚠ OPOZORILO: snežne freze ali žleba za izmet nikoli ne usmerjajte v ljudi ali domače živali. Izmetan sneg ali drugi predmeti lahko povzročijo resne telesne poškodbe.

⚠ OPOZORILO: prepričajte se, da na območju ni kamnov, palic, žic, gramoza in drugih predmetov, ki bi jih snežna freza lahko po nesreči izmetala v kateri koli smeri in povzročila resne telesne poškodbe upravljavca in drugih oseb.

- Če pride enota med uporabo v stik s katero koli vrsto ovire ali drobirja, ustavite snežno frezo, odstranite baterijski(-e) sklop(-e), odstranite oviro in enoto previdno pregledajte glede škode, preden nadaljujete.

⚠ OPOZORILO: nikoli ne segajte v žleb za izmet ali postavljajte nobenega dela telesa pred snežno frezo, kadar enota deluje ali kadar je (so) nameščen(-i) baterijski sklop(-i). Preden odstranite kakršne koli ovire, se vedno prepričajte, da so se vsi premični deli ustavili in da je (so) baterijski sklop(-i) odstranjen(-i). Neupoštevanje teh navodil lahko povzroči resne telesne poškodbe.

- Pred začetkom upoštevajte smer vetra. Če je mogoče, izmetavajte sneg v smeri vetra, da preprečite izmetavanje snega v svoj obraz.
- V ekstremnih vremenskih razmerah lahko nekateri deli snežne freze zamrznejo. Enote z zamrznjenimi deli ne poskušajte upravljati.
- Ko končate, naj motor dodatnih nekaj minut deluje, da preprečite zamrzovanje premičnih delov, nato pa rotacijski ročaj žleba nekajkrat obrnite nazaj in naprej, da odstranite morebiti nakopičeni led. Obvezno očistite kakršne koli sneg in led s podnožja žleba.
- Pri sneženju in nizkih temperaturah lahko nekateri krmilniki in premični deli zamrznejo. Za upravljanje zamrznjenih krmilnikov ne uporabite čezmerne sile. Če imate težave pri upravljanju katerega koli krmilnika ali dela, zaženite stroj tako, kot je prikazano v razdelku »ZAGON/ZAUSTAVITEV SNEŽNE FREZE«, in ga pustite nekaj minut delovati.

VZDRŽEVANJE

SPOŠNO VZDRŽEVANJE

Pri čiščenju plastičnih delov ne uporabljajte topil. Večino vrst plastike se lahko pri uporabi različnih komercialnih topil poškoduje. Izmazanijo, prah, olje, mast itd. odstranite s čisto krpo.

MAZANJE STROJA

Vsi ležaji tega izdelka so namazani s količino visokokakovostnega maziva, ki zadostuje za vso življenjsko dobo enote v normalnih delovnih pogojih. Zato nadaljnje mazanje ležajev ni zahtevano.

SL

NAMEŠČANJE IN PRILAGAJANJE DRSNIH NOG

1. Odstranite baterije.
2. Odvijte in odstranite matice, tesnila in drsno nogo z vijakov (sl. G1).
3. Drsno nogo po potrebi zamenjajte z novo.
4. Višino drsnih nog lahko prilagajate v skladu z dejanskimi snežnimi pogoji brez temeljitega odstranjevanja matic; matice samo zrahljajte, prilagodite položaj drsne noge in jih nato znova zategnite (sl. G2).

ZAMENJAVA STRIŽNEGA VARNOSTNEGA SORNIKA

Strižni varnostni sorniki so nameščeni na gredi polža (sl. H1). Pomagajo pri blaženju navora pri takojšnji zaustavitvi, ko polž udari ob ovire med delom, ter zaščitijo menjalnik in motor pred poškodbami.

H-1	Gred polža	H-2	Strižni varnostni sornik
-----	------------	-----	--------------------------

Če želite zamenjati strižne varnostne sornike, odstranite baterije, odstranite zlomljeni strižni varnostni sornik z gredi polža in ga zamenjajte z novimi sorniki.

OPOMBA: v sklopu žleba sta shranjena dva dodatna strižna varnostna sornika. Če je prvotni zlomljen, ga zamenjajte z novim. (Sl. H2)

SHRANJEVANJE SNEŽNE FREZE

⚠ POZOR: prepričajte se, da je ves stopljeni sneg, ki bi lahko kapljal iz snežne freze, pravilno obrisan, in tako preprečite nevarnost zdrsov in padcev.

- Odstranite baterijski(-e) sklop(-e) in ga (jih) shranite na varno mesto, nedosegljivo otrokom.

Pred shranjevanjem obrišite vsa vlago, umazanijo ali drobir z območja baterije.

- Snežno frezo obrišite s čisto, suho krpo.
- Preverite trdnost vseh matic, sornikov, gumbov, vijakov itd.
- Premične dele pregledajte glede poškodb, loma in obrabe. Vse poškodovane ali manjkajoče dele popravite.
- Snežno frezo shranite v čist, suh, zaprt prostor, ki je zunaj dosega otrok.
- Ne shranjujte je v bližini korozivnih materialov, kot so gnojila ali kamena sol.

Varovanje okolja



Električnih naprav ne odlagajte med mešane gospodinjske odpadke, ampak jih oddajte na ustrezno zbirno mesto za odlaganje odpadkov.

Obrnite se na lokalno upravo, če želite informacije o razpoložljivih sistemih za zbiranje.

Če električne naprave odvržete na smetišča, lahko nevarne snovi pronicajo v podtalnico in tako pridejo v prehranjevalno verigo, s čimer ogrozijo vaše zdravje in dobro počutje.

ODPRAVLJANJE TEŽAV

⚠ OPOZORILO: pri servisiranju ali transportu snežne freze vedno odstranite baterijski(-e) sklop(-e). Pri

vsakršnem vzdrževanju polža ali strgala snežne freze vedno zaščitite svoji roki z nošenjem rokavic.

TEŽAVA	VZROK	REŠITEV
Snežna freza se ne zažene.	<ul style="list-style-type: none"> ■ Napolnjenost baterije je nizka. ■ Sprožilnik stikala polža ni pritisnjen, ko indikator LED utripa zeleno. ■ Polž je zamrznil zaradi snega ali ledu. ■ Baterija je pregreta. Indikator LED na bateriji utripa oranžno ali sveti rdeče (glejte razdelek »ZAŠČITA BATERIJE PRED VISOKO TEMPERATURO« v tem priročniku). 	<ul style="list-style-type: none"> ■ Napolnite baterijo. ■ Če utripa indikator LED, pritisnite sprožilnik stikala polža. Če indikator LED preneha utripati, se snežna freza ne bo odzivala na pritisek sprožilnika stikala polža. ■ Najprej odstranite baterijski(-e) sklop(-e), uporabite priloženo orodje za čiščenje žleba, da očistite sneg ali led, ki ovira polž. Znova zaženite snežno frezo. ■ Iz snežne freze odstranite pregreto baterijo in počakajte, dokler se baterijski sklop ne ohladi na približno 67°C, nato pa znova vstavite baterijo in znova zaženite snežno frezo.
Motor je vklopljen, toda polž se ne vklopi.	<ul style="list-style-type: none"> ■ Strižni varnostni sornik je zlomljen. 	<ul style="list-style-type: none"> ■ Strižni varnostni sornik zamenjajte v skladu z razdelkom »ZAMENJAVA STRIŽNEGA VARNOSTNEGA SORNIKA«.
Gumb za lučko LED se ne odziva na prvi pritisk.	<ul style="list-style-type: none"> ■ Zaradi notranjega postopka samopreskusa pride do rahle zamude pri odzivu na prvi pritisk tipke. 	<ul style="list-style-type: none"> ■ Pritisnite gumb za lučko LED in ga držite 1 sekundo.
Indikator LED na bateriji sveti tudi, ko se polž snežne freze ustavi ali ko se samohodni sistem izklopi.	<ul style="list-style-type: none"> ■ Električni tokokrog je v stanju pripravljenosti na naslednji ponovni zagon. Lučka LED se samodejno izklopi, če snežne freze ne upravljate v 5 do 10 minutah. 	<ul style="list-style-type: none"> ■ Preprosto ga spustite ali odstranite baterije iz prostora za baterije.

SL

GARANCIJA

Za popolne pogoje garancijske politike družbe EGO obiščite spletno mesto egopowerplus.eu.

PERSKAITYKITE VISĄ INSTRUKCIJĄ!

Paskirtis: Sniegui šalinti nuo tokių vietų, kaip įvažiavimai ir šaligatviai.

⚠️ ĮSPĖJIMAS: Prieš pradėdami naudoti šį įrenginį, perskaitykite visus šioje naudojimo instrukcijoje pateiktus saugos nurodymus, taip pat susipažinkite su visais saugos išpėjamaisiais simboliais, tokiais kaip **PAVOJUS**, **ĮSPĖJIMAS** ir **DĖMESIO** ir įsitikinkite, ar juos supratote. Nesilaikant visų toliau išdėstytų nurodymų galima patirti elektros smūgį, sukelti gaisrą ir (ar) sunkiai susižaloti.

⚠️ ĮSPĖJIMAS: bet koks elektrinis įrankis naudojimo metu gali išsviesti šiukšles, kurios gali pataikyti į akis ir sunkiai jas sužaloti. Prieš pradėdami naudoti elektrinį įrankį, visada užsidėkite apsauginius akinius arba apsauginius akinius su šonine apsauga ir, jei reikia, visą veidą dengiantį skydelį. Rekomenduojame naudoti platų matymo lauką užtikrinančią apsauginę kaukę, dedamą ant akinių, arba standartinius apsauginius akinius su šonine apsauga.

SAUGOS SIMBOLIAI



Saugos išpėjimas



Kad sumažintų susižalojimo pavojų, prieš naudodamas šį gaminį naudotojas turi perskaityti naudojimo instrukciją ir įsitikinti, kad ją suprato.



Nekišti artyn kojų ir rankų



Naudodami šį gaminį, visada užsidėkite apsauginius akinius arba apsauginius akinius su šonine apsauga ir visą veidą dengiantį skydelį.



DĖMESIO: įdėmiai nežiūrėkite į darbinį žibintą.



PAVOJUS – išjunkite variklį prieš valydami išmetimo vamzdį. Kad išvengtumėte sužalojimo, neikiškite rankų ir kojų prie sukamųjų dalių. Užsikimšusį vamzdį visada valykite tik išjungę variklį ir niekada nevalykite ranka.

LT



Nekiškite kojų prie sparnuotės.



Netinkamus naudoti elektros prietaisus draudžiama išmesti kartu su buitėmis atliekomis. Nuvežkite įgaliotam perdirbėjui.



Garantuojamas garso galios lygis. Pagal Europos Bendrijos direktyvą.



Šis gaminys atitinka taikomas EB direktyvas.



Nuolatinė elektrosrovė



Šis gaminys atitinka jam taikomus JK reglamentus.

kg Kilogramai

V Voltai

IPX4 Apsauga nuo vandens srovių

TECHNINIAI DUOMENYS

Įtampa	56 V	
Valomo tako plotis	61 cm	
Įtraukimo aukštis	51 cm	
Ratų dydis	38 cm	
Svoris	68 kg	
Rekomenduojama darbinė temperatūra	Nuo -20°C iki 10°C	
Rekomenduojama sandėliavimo temperatūra	Nuo -20°C iki 70°C	
Išmatuotas garso galios lygis L_{WA}	96,61 dB(A) K = 1,6 dB(A)	
Garso slėgio lygis ties operatoriaus ausimi L_{PA}	82,5 dB(A) K = 4 dB(A)	
Garantuojamas garso galios lygis L_{WA} (išmatuotas pagal 2000/14/EB)	98 dB(A)	
Vibracijos vertė a_n :	Kairioji rankena	0,3 m/s ² K = 1,5 m/s ²
	Dešinioji rankena	0,4 m/s ² K = 1,5 m/s ²

APRAŠYMAS

PAŽINKITE SAVO SNIEGO PŪSTUVĄ (A1 ir A2 pav.)

- Šoninis strypas
- Baterijų skyriaus dangtelis
- Baterijų skyrius
- Ratai
- Slydimo plokštelė
- LED darbiniai žibintai
- Platforma
- Išmetimo vamzdžio valymo įrankis
- Sniego išmetimo vamzdis
- Išmetimo vamzdžio kreiptuvas
- Galinė rankena
- LED šoniniai žibintai
- Sraigto jungiklis
- Pagrindinė rankena
- Sraigto greičio reguliavimo svirtis
- Apsauginis mygtukas
- Savaeigio važiavimo greičio reguliavimo svirtis
- Savaeigio važiavimo jungiklis
- Pagrindinė rankena

- LED žibintų mygtukas
- LED indikatorius
- Išmetimo vamzdžio sukimo rankena
- Išmetimo vamzdžio kreiptuvo rankena
- Sraigtas
- Grandyklė
- Baterijos atjungimo mygtukas
- Elektros kontaktai

PAKUOTĖS TURINIO SĄRAŠAS (A3 PAV.)

SURINKIMAS

RATO UŽDĖJIMAS IR NUĖMIMAS

- Pastatykite sniego pūstuvą į B paveiksle pavaizduotą padėtį, kad būtų lengviau uždėti.
- Nuimkite nuo ašies išorinį tarpiklį ir rato fiksavimo kaištį.
- Užmaukite ratą ir išorinį tarpiklį. Užfiksukite juos rato fiksavimo kaiščiu.

Pastaba: prieš uždėdami ratą patikrinkite, ar ant jo pažymėta rodyklė nukreipta į priekį (B pav.).

B-1	Išorinis tarpiklis	B-2	Rato fiksavimo kaištis
-----	--------------------	-----	------------------------

SUDĖTINĖS RANKENOS TVIRTINIMAS

PASTABA: Prieš pradėdami dirbti su sniego pūstuvu reikia pritvirtinti sudėtinę rankeną (C1 pav.).

C-1	Fiksavimo rankenėlė	C-2	Sudėtinė rankena
-----	---------------------	-----	------------------

Atsukite keturias fiksavimo rankenėles ir ištraukite varžtus. Šias dalis pasidėkite, nes jų prireiks surinkimo metu. Pasirinkite patogią darbinę padėtį pagal savo ūgį (C2 pav.). Sudėtinę rankeną galima pakelti į tris skirtingus aukščius (C3, C4 ir C5 pav.).

Viršutinė darbinė padėtis (C3 pav.)

Vidurinė darbinė padėtis (C4 pav.)

Apatinė darbinė padėtis (C5 pav.)

SNIEGO IŠMETIMO VAMZDŽIO BLOKO TVIRTINIMAS

⚠️ ĮSPĖJIMAS: Niekada nedirbkite su sniego pūstuvu nepritvirtinę sniego išmetimo vamzdžio bloko.

LT

1. Apsukite rankenėlę nuo vidinio atraminio strypo ir ištraukite varžtą (D1 pav.). Pasilikite rankenėlę ir varžtą, nes jų reikės surenkant.

D-1	Sniego išmetimo vamzdis	D-2	Išorinis atraminis strypas
D-3	Rankenėlė	D-4	Vidinis atraminis strypas
D-5	Pagrindas	D-6	Varžtas

2. Pakelkite sniego išmetimo vamzdžio bloką, įtaikykite išorinį atraminį strypą į vidinį atraminį strypą ir įkiškite į savo vietą išorinį atraminį strypą. Sniego išmetimo vamzdis turi atsiremti į pagrindą (D2 pav.).
3. Pritvirtinkite sniego išmetimo vamzdžio bloką pasiliktu varžtu su rankenėle.
4. Su trosu regulatoriumi galima pakeisti sniego išmetimo vamzdžio sukimo rankenėlės pasukimui reikalingą jėgą. Šią jėgą sumažinsite, šiek tiek pasukdami trosu regulatorių prieš laikrodžio rodyklę (D2 pav.), ir padidinsite, pasukdami regulatorių priešinga kryptimi. Atkreipkite dėmesį, kad sniego išmetimo vamzdis darbo metu judės į kairę ir į dešinę puses, jei jį per mažai įtampsite.

DARBAS

SUDĖTINĖS BATERIJOS ĮSTATYMAS IR IŠĖMIMAS

ĮKRAUKITE PRIEŠ PIRMĄ KARTĄ NAUDODAMI.

Įrenginį naudokite tik su A4 paveiksle išvardintomis sudėtinėmis baterijomis ir įkrovikliais.

PASTABA: kad įrenginys optimaliai veiktų, rekomenduojame jį naudoti su dviem 5,0 Ah EGO 56 V ARC ličio jonų baterijomis arba su dviem didesnės talpos EGO 56 V ARC ličio jonų baterijomis.

Nenaudojamas 56 V sudėtinės baterijas reikia laikyti uždaroje patalpoje, kurioje temperatūra nenukrenta žemiau -20°C. Optimali įkrovimo temperatūra yra nuo 5°C iki 40°C.

Įstatymas

Stumkite sudėtinę bateriją į baterijų skyrių, kol išgirsite spragtelėjimą (E1 pav.).

Išėmimas

Paspauskite baterijos atjungimo mygtuką baterijų skyriuje (E2 pav.).

PASTABA: Prieš pradėdami dirbti įsitinkinkite, ar sniego pūstuvo fiksatorius užsifiksavo savo vietoje ir ar sudėtinė baterija (-os) tinkamai įstatytos.

SNIEGO PŪSTUVO PALEIDIMAS IR SUSTABDYMAS

⚠ DĖMESIO: nebandykite išjungti apsauginio mygtuko funkcijos.

⚠ ĮSPĖJIMAS: kai dirbate su sniego pūstuvu, neprileiskite kitų žmonių ir naminių gyvūnų arčiau nei per 30 m.

⚠ ĮSPĖJIMAS: išjungus sniego pūstuvą, jo sraigtas dar kelias sekundes sukasi. Prieš vėl jį paleisdami palaukite, kol sraigtas nustos sukintis.

PASTABA: išjungę sniego pūstuvą nebandykite iš karto vėl jį įjungti.

Sniego pūstuvo paleidimas

1. Sudėtinė rankena turi būti tvirtai užfiksuota tinkamame aukštyje, šoninis sniego išmetimo vamzdžio blokas tinkamai pritvirtintas, išmetimo vamzdis ir jo kreiptuvas nustatyti į tinkamą padėtį.
2. Įstatykite sudėtinę bateriją (-as) į sniego pūstuvą ir uždarykite baterijų skyriaus dangtelį.
3. Paspauskite **apsauginį mygtuką (A-16)** ir palaikykite nuspaudę 1 sekundę: pradeda mirksėti žalias **LED indikatorius (A-21)**. Paspauskite **sraigto jungiklį (A-13)**, kad paleistumėte sniego pūstuvą, kol mirksi LED indikatorius.

PASTABA: sniego pūstuvą sraigto jungikliu galima paleisti tik tuomet, kai mirksi LED indikatorius.

PASTABA: Sniego pūstuvo gali nepavykti tinkamai paleisti, jei jo baterijos temperatūra nukritusi žemiau -20 °C. Jeigu sniego pūstuvo nepavyksta paleisti, išimkite iš jo bateriją ir palaikykite patalpoje bent 10 minučių, kad atšiltų. Įstatykite bateriją ir bandykite dar kartą.

Sniego pūstuvo sustabdymas

Visiškai atleiskite sraigto jungiklį.

PASTABA: atleidus sraigto jungiklį, automatinio stabdymo mechanizmo elektrinis stabdys per 3 sekundes sustabdo sraigto sukimąsi.

Sraigto greičio reguliavimo sistema

Keičiant sraigto sukimosi greitį, galima keisti sniego išmetimo atstumą.

Greitis didinamas ar mažinamas stumiant sraigto greičio reguliavimo svirtį (A-15) į priekį ar atgal.

Savos eigos greičio reguliavimo sistema

Sniego pūstuve įrengta savos eigos greičio reguliavimo funkcija. Ji nepriklauso nuo sraigto sukimosi.

Jei norite įjungti savaeigę sistemą neįjungdami peilio sukimosi, prispauskite **savos eigos jungiklį (A-18)** prie

rankenos. Jei greitį norite padidinti, **savos eigos greičio reguliavimo svirtį (A-17)** pastumkite pirmyn. Jei greitį norite sumažinti, savo eigos greičio reguliavimo svirtį patraukite atgal.

Jei norite išjungti savos eigos funkciją, atleiskite savos eigos jungiklį.

Jei sniego pūstuvą norite patraukti atgal, pradžioje išjunkite savos eigos funkciją; po to patraukite savos eigos greičio reguliavimo svirtį į **ATBULINĖS EIGOS** padėtį ir prispauskite savos eigos jungiklį.

PASTABA: Kai sniego pūstuvus sava eiga juda atgal, jo greitis nesikeičia: greičio reguliavimo svirtimi negalima pakeisti atbulinės eigos greičio.

PASTABA: sniego pūstuvu negalima perjungti į atbulinės eigos padėtį, kai savos eigos funkcija jį stumia į priekį.

SRAIGTO JUNGIKLIO IR SAVOS EIGOS JUNGIKLIO SUKABINIMAS

Vienu metu nuspaudus **savos eigos jungiklį (A-18)** ir **sraigto jungiklį (A-13)**, sraigto jungiklį dešine ranka galima atleisti: sraigtas liks įjungtas. Naudojant šią funkciją, sukantis sraigtui galima reguliuoti sraigto greitį, savos eigos greitį ir sniego išmetimo kryptį.

Norint sraigta išjungti, reikia atleisti savos eigos jungiklį – sustos ir sraigtas, ir savos eigos mechanizmas.

IŠMETIMO VAMZDŽIO IR KREIPTUVO REGULIAVIMAS

Valant sniegą galima reguliuoti tiek jo išmetimo į kitą vietą kryptį, tiek atstumą.

Sniego išmetimo kryptį galima keisti iki 100° į kairę pusę ir iki 100° į dešinę pusę.

Išmetimo vamzdžio sukimo rankeną (A-22) stumkite į kairę ar į dešinę, kad išmetimo vamzdį pasuktumėte į kairę ar į dešinę.

Sniego išmetimo atstumas reguliuojamas pasukant vamzdžio kreiptuvą į viršų ar žemyn.

Jei norite padidinti ar sumažinti sniego išmetimo atstumą, patraukite **išmetimo vamzdžio kreiptuvo rankeną (A-23)** atgal arba pastumkite į priekį, kad **išmetimo vamzdžio kreiptuvus (A-10)** pakiltų ar nusileistų. Pasirinkę tinkamą išmetimo vamzdžio kreiptuvo padėtį, užfiksukite kreiptuvo rankeną atitinkamoje prapjovoje (F-1, F pav.).

LED ŠONINIŲ ŽIBINTŲ (A-12) IR PRIEKINIŲ ŽIBINTŲ (A-6) VALDYMAS

Spustelėkite LED žibintų mygtuką vieną kartą, kad įsijungtų ir šoniniai, ir priekiniai žibintai.

Spustelėję mygtuką antrąjį kartą, išjungsitė šoninius žibintus.

Spustelėję mygtuką trečiąjį kartą, išjungsitė visus žibintus.

PASTABA: visi LED žibintai automatiškai išsijungia, jei sniego pūstuvus nedirba 5 minutes.

SNIEGO PŪSTUVO LED INDIKATORIUS (A-21)

Sniego pūstuve įrengtas LED indikatorius, kuris rodo sudėtinės baterijos (-u) įkrovos būseną ir sniego pūstuvo darbinę būseną.

LED INDIKATORIUS	Reikšmė	Veiksmas
Dega žalias	Sniego pūstuvus veikia tinkamai, kiekvienos baterijos įkrovos lygis ne mažesnis nei 15 %.	Nėra
Mirksi raudonas	Baterija beveik išsikrovusi.	Sustabdykite sniego pūstuvą ir įkraukite sudėtinę bateriją (-as).
Pakaitomis mirksi žalias ir raudonas	Klaida	Kreipkitės į EGO klientų aptarnavimo tarnybą.
Dega oranžinis	Sniego pūstuvus sustojo dėl perkaitimo.	Išimkite baterijas iš sniego pūstuvo, padėkite pavėsyje ir palikite bent 15 minučių, kad atvėstų.
Mirksi oranžinis	Sniego pūstuvu perkrova.	Pradžioje išimkite sudėtinę bateriją, o po to patikrinkite, ar po platforma nepilpo sniego; sniegą nuvalykite. Valydami sniegą sulėtinkite judėjimo tempą. Jeigu tai nepadeda, kreipkitės į EGO klientų aptarnavimo tarnybą.

Išjungtas ir mirksni baterijos LED indikatorius	Perkautusi baterija (žr. šios instrukcijos skyrių „BATERIJOS APSAUGA NUO PERKAITIMO“).	Išimkite bateriją iš sniego pūstuvo ir palaukite, kol sudėtinė baterija atvės maždaug iki 67°C; po to vėl įstatykite bateriją ir paleiskite sniego pūstuva.
---	--	---

SNIEGO PŪSTUVO APSAUGA NUO PERKROVOS

Jūsų sniego pūstuve įmontuotas perkrovos jutiklis. Pernelyg padidėjus variklio apkrovai, jūs pagal variklio garsą išgirsite, kaip automatiškai sumažinami jo sukiai. Sulėtinkite judėjimo tempą arba sumažinkite valomo tako plotį, ir variklio sukiai vėl išsaugos iki įprastos vertės. Jeigu šios priemonės nepadės, jutiklis automatiškai išjungs variklį ir pradės mirksėti oranžinis sniego pūstuvo LED indikatorius. Išimkite iš sniego pūstuvo sudėtinę bateriją (-as), palaukite 10 sekundžių ir patikrinkite, ar prie sraigo ir platformos neprikibo sniego ar ledo. Jei reikia, išvalykite pagal nurodymus skyriuje „Užkimšto išmetimo vamzdžio valymas“. Įstatykite baterijas ir vėl paleiskite sniego pūstuva.

UŽKIMŠTO IŠMETIMO VAMZDŽIO VALYMAS

⚠️ ĮSPĖJIMAS: Visada valykite išmetimo vamzdžio valymo įrankiu (A-8), kuris kaip priedas pritvirtintas prie įrenginio, o ne ranka.

APSAUGA NUO BATERIJOS PERKAITIMO

Darbo metu sudėtinė baterija išskiria šilumą. Karštu oru ši šiluma išsisklaido lėčiau. Jei darbo metu baterijos temperatūra viršija 70 °C, apsauginis kontūras akimirksniu išjungia sniego pūstuva, kad apsaugotų sudėtinę bateriją nuo sugadinimo. Išsijungia ir sniego pūstuvo darbinės būsenos indikatorius; daugiau informacijos apie baterijos LED indikatorius rasite naudojimo instrukcijos skyriuje „BATERIJOS APSAUGA“. Atleiskite svirtinį jungiklį ir palaukite, kol sudėtinė baterija atvės maždaug iki 67 °C, ir tuomet vėl paleiskite sniego pūstuva.

NAUDOJIMO PATARIMAI

⚠️ PAVOJUS: sniego pūstuvo niekada nenaudokite ant užšalusių ežerų, upių ar panašių paviršių. Įlūžus ledui galite patirti sunkią traumą ar net nuskęsti.

⚠️ PAVOJUS: sniego pūstuvo niekada nenaudokite ant stogo ar kitokio nestabilaus paviršiaus, nes galite sunkiai ar net mirtinai susižaloti.

⚠️ ĮSPĖJIMAS: sniego pūstuvo nenaudokite ant ledo, ant kurio galite paslysti, nugriūti ir sunkiai susižaloti.

⚠️ ĮSPĖJIMAS: nedėvėkite laisvų drabužių, šalikų ir nenešiokite laisvai kabančių papuošalų. Juos gali įtraukti įrenginio judamos dalys ir sunkiai ar net mirtinai sužaloti.

⚠️ ĮSPĖJIMAS: sniego išmetimo vamzdžio nenukreipkite į jokių elektros prietaisus, kad išvengtumėte elektros smūgio pavojaus.

⚠️ ĮSPĖJIMAS: niekada nenukreipkite pūstuvo vamzdžio į žmones arba naminius augintinius. Išsviestas sniegas ar kiti daiktai gali sunkiai sužaloti.

⚠️ ĮSPĖJIMAS: iš valomos zonos pašalinkite akmenis, pagalius, vielas, žvyrą ir kitas kliūtis, kurias sniego pūstuvus gali atsitiktinai išsviesti bet kuria kryptimi ir sunkiai sužaloti patį įrenginio naudotoją ar kitus asmenis.

- Jeigu darbo metu sniego pūstuvus užkliudo bet kokią kliūtį ar šiukslę, sustabdykite įrenginį, išimkite sudėtinę bateriją (-as), pašalinkite kliūtį ir prieš tęsdami darbą atidžiai patikrinkite pūstuva, ar jis nepažeistas.

⚠️ ĮSPĖJIMAS: niekada neikiškite rankos į sniego išmetimo vamzdį ir neikiškite jokios kūno dalies prieš sniego pūstuva, kai jis dirba arba kai įstatyta sudėtinė baterija (-os). Prieš šalinami bet kokias kliūtis įsitinkite, kad judamos dalys sustoję, ir išimkite sudėtinę bateriją (-as). Nesilaikydami šių nurodymų galite sunkiai ar net mirtinai susižaloti.

- Prieš pradėdami dirbti atkreipkite dėmesį į vėjo kryptį. Jei įmanoma, sniegą išmeskite pavėjui, kad jo neneštų jums į veidą.
- Ekstremaliomis oro sąlygomis kai kurios sniego pūstuvo dalys gali užšalti. Nedirbkite įrenginiu su užšalusiomis dalimis.
- Baigę darbą leiskite varikliui kelias minutes padirbti tuščiaja eiga, kad judamos dalys neužšaltų, o po to kelias kartus pastumkite išmetimo vamzdžio sukimo rankeną į priekį ir atgal, kad nutrupėtų prišalęs ledas. Nuvalykite visą sniegą ir ledą nuo išmetimo vamzdžio pagrindo.
- Šalčio ir sniego sąlygomis kai kurie valdikliai ir judamos dalys gali užšalti. Nenaudokite pernelyg didelės jėgos bandydami jas išjudinti. Jeigu jums kyla sunkumų įjungti kokį nors valdiklį ar dalį, paleiskite įrenginį, kaip aprašyta skyriuje „SNIEGO PŪSTUVO PALEIDIMAS IR SUSTABDYMAS“ ir leiskite jam kelias minutes dirbti tuščiaja eiga.

TECHNINĖ PRIEŽIŪRA

BENDROJI PRIEŽIŪRA

Valydami plastines dalis venkite naudoti tirpiklius. Įvairūs komerciniai tirpikliai gali pažeisti įvairių tipų plastikus ir jų

nerekomenduojama naudoti. Purvą, dulkes, alyvą, tepalą ir pan. nuvalykite švaria šluoste.

ĮRENGINIO TEPIMAS

Visi šio gaminio guoliai sutepti pakankamu aukštos kokybės tepimo priemonės kiekiu, kurio įprastomis darbo sąlygomis turi pakakti visam eksploatacijos laikotarpiui. Dėl to guolių daugiau tepti nereikia.

SLYDIMO PLOKŠTELIŲ KEITIMAS IR REGULIAVIMAS

1. Išimkite baterijas.
2. Atsukite veržles ir nuimkite tarpiklius, varžtus ir slydimo plokštelę (G1 pav.).
3. Jei reikia, slydimo plokštelę pakeiskite nauja.
4. Slydimo plokštelių aukštį pagal sniego dangos storį galima reguliuoti nenuimant veržlių, o tik jas atlaisvinant ir vėl priveržiant po slydimo plokštelių padėties nustatymo (G2 pav.).

NUKERPAMOJO KAIŠČIO KEITIMAS

Nukerpamieji kaiščiai yra sraigto velene (H1 pav.). Jų paskirtis yra amortizuoti staigiai stabdomo sraigto sukimo momentą, kai sraigtas darbo metu atsitenkia į kliūtį, ir taip apsaugoti nuo sugadinimo pavarų dėžę ir variklį.

H-1	Sraigto velenas	H-2	Nukerpamasis kaištis
-----	-----------------	-----	----------------------

Norint pakeisti nukerpamuosius kaiščius, reikia išimti baterijas, iš sraigto veleno ištraukti sulūžusius nukerpamuosius kaiščius ir pakeisti juos naujais kaiščiais.

PASTABA: du atsarginiai nukerpamieji kaiščiai yra įdėti į išmetimo vamzdžio bloką; pakeiskite jais originalius kaiščius, jei jie nulūžo (H2 pav.).

SNIEGO PŪSTUVO LAIKYMAS

⚠ DĖMESIO: visas nuo sniego pūstuvo nutirpęs sniegas turi būti tinkamai išvalytas, kad nekiltų paslydimo ir nukritimo pavojus.

- Išimkite sudėtinę bateriją (-as) ir padėkite saugioje vaikams neprieinamoje vietoje.

Prieš baterijas padėdami nuvalykite nuo jų visus nešvarumus ir drėgmę.

- Sniego pūstuvą nušluostykite švaria sausa šluoste.
- Patikrinkite visų veržlių, varžtų, rankenėlių ir pan. priveržimą.
- Patikrinkite judamas dalis, ar jos nepažeistos, nesulūžę ir nesudilę. Suremontuokite ar pakeiskite visas pažeistas ar trūkstamas dalis.

- Sniego pūstuvą laikykite švarioje, sausoje ir uždaroje vaikams neprieinamoje vietoje.
- Nelaikykite šalia esdinančių medžiagų, pvz., trašų arba akmenų druskos.

Aplinkos apsauga



Elektrinių įrankių negalima išmesti kartu su nerūšiuotomis buitinėmis atliekomis: juos reikia nuvežti į atitinkamus surinkimo punktus.

Informaciją apie galimas surinkimo sistemas galite gauti iš vietos valdžios institucijos.

Jei elektriniai prietaisai išmetami į užkasamuosius arba atvirouosius sąvartynus, kenksmingos medžiagos gali prasiskinti iki gruntinio vandens, patekti į mitybos grandinę ir pakenkti jūsų sveikatai bei gerovei.

TRIKČIŲ ŠALINIMAS

⚠ ĮSPĖJIMAS: visada išimkite sudėtinę bateriją (-as), prieš vykdydami sniego pūstuvo techninės priežiūros darbus arba prieš jį gabendami. Kai atliekate bet kokius sniego pūstuvo, sraigto ar grandyklės techninės priežiūros darbus, visada apsaugokite rankas, užsimaudami tvirtas pirštines.

PROBLEMA	PRIEŽASTIS	SPRENDIMAS
Sniego pūstuvo variklis neįsijungia.	<ul style="list-style-type: none"> ■ Per maža baterijos įkrova. ■ Mirksint žaliai LED indikatoriumi nepaspaudžiamas sraigto jungiklis. ■ Sraigtas prišalo dėl sniego ar ledo. ■ Baterija perkaito. Mirksi oranžinis ar dega raudonas baterijos LED indikatorius (žr. šios instrukcijos skyrių „BATERIJOS APSAUGA NUO PERKAITIMO“). 	<ul style="list-style-type: none"> ■ Įkraukite bateriją. ■ Paspauskite sraigto jungiklį tuo metu, kai mirkčioja LED indikatorius. Jeigu LED indikatorius nustoja mirkčioti, sniego pūstuvą nereaguos į sraigto jungiklio paspaudimą. ■ Pradžioje išimkite sudėtinę bateriją (-as), o po to pridėdamu išmetimo vamzdžio valymo įrankiu išvalykite sraigto sukčius trukdantį sniegą ir ledą. Vėl paleiskite sniego pūstuvą. ■ Išimkite perkaitusią bateriją iš sniego pūstuvo ir palaukite, kol sudėtinė baterija atvės maždaug iki 67°C; po to vėl įstatykite bateriją ir paleiskite sniego pūstuvą.
Variklis įjungtas, tačiau sraigtas nesisuka.	<ul style="list-style-type: none"> ■ Sulaužytas nukerpamasis kaištis. 	<ul style="list-style-type: none"> ■ Pagal skyriuje „NUKERPAMOJO KAIŠČIO KEITIMAS“ pateiktus nurodymus pakeiskite nukerpamąjį kaištį.
LED žibintų mygtuką paspaudus pirmąjį kartą žibintai neįsijungia.	<ul style="list-style-type: none"> ■ Vykstant vidiniam savipatirkros procesui šiek tiek vėluoja atsakas į pirmąjį mygtuko paspaudimą. 	<ul style="list-style-type: none"> ■ Paspauskite LED žibintų mygtuką ir palaikykite nuspaudę 1 sekundę.
Baterijos LED indikatorius dega netgi sustojus sniego pūstuvo sraigtiui ar išsijungus savos eigos sistemai.	<ul style="list-style-type: none"> ■ Elektros kontūras lieka parengties būsenoje, pasiruošęs kitam paleidimui. LED indikatorius automatiškai išsijungs, jei sniego pūstuvą nedirbs 5–10 minučių. 	<ul style="list-style-type: none"> ■ Tiesiog palikite jį degantį arba išimkite baterijas iš baterijų skyriaus.

LT

GARANTIJA

Jei norite sužinoti visas EGO garantinės politikos sąlygas, apsilankykite interneto svetainėje egopowerplus.eu.

IZLASIET VISUS NORĀDĪJUMUS!

Paredzētā lietošana: Sniega tīrīšanai tādās vietās kā piebraucamie ceļi un ietves.

⚠ BRĪDINĀJUMS! Pirms šī instrumenta lietošanas izlasiet un izprotiet visus šajā lietotāja rokasgrāmatā iekļautos drošības norādījumus, tostarp visus drošības brīdinājuma apzīmējumus, piemēram, „**BĪSTAMI!**”, „**BRĪDINĀJUMS!**” un „**UZMANĪBU!**”. Visu turpmāk uzskaitīto norādījumu neievērošana var izraisīt elektriskās strāvas triecienu, aizdegšanos un/ vai smagus miesas bojājumus.

⚠ BRĪDINĀJUMS! Jebkura elektroinstrumenta lietošanas laikā acīs var iekļūt svešķermeņi, kas var radīt smagu acu traumu. Pirms sākat strādāt ar elektroinstrumentu, vienmēr uzvelciet aizsargbrilles ar sānu aizsargiem vai nepieciešamības gadījumā — pilnu sejas masku. Iesakām izmantot aizsargmasku ar plašu skata leņķi, ko uzvelk vīrs parastajām brillēm, vai arī standarta aizsargbrilles ar sānu aizsargiem.

DROŠĪBAS APZĪMĒJUMI



Drošības brīdinājums



Lai mazinātu traumu rašanās bīstamību, pirms šī izstrādājuma lietošanas tā lietotājam jāizlasa un jāizprot lietošanas rokasgrāmata.



Turēt rokas un kājas atstātus



Šī izstrādājuma darbināšanas laikā vienmēr valkājiet aizsargbrilles vai aizsargbrilles ar sānu aizsargiem un pilnu sejas aizsargmasku.



UZMANĪBU! Neskatīties tieši darba lampā.



BĪSTAMI — izslēdziet motoru pirms izplūdes teknes tīrīšanas. Lai samazinātu traumu gūšanas risku, turiet rokas un kājas drošā attālumā no rotējošām daļām. Izfīriert aizsprotojumu tikai pēc motora izslēgšanas un nekad netīriert ar rokām.



Neturiet pēdas pie lāpstīņrata



Elektrisko izstrādājumu atkritumus nedrīkst izmest kopā ar sadzīves atkritumiem. Nogādājiet uz pilnvarotu pārstrādes punktu.



Garantētais skaņas intensitātes līmenis. Saskaņā ar Eiropas Kopienas direktīvu.



Šis izstrādājums atbilst piemērojamajai EK direktīvai



Līdzstrāva



šis produkts atbilst spēkā esošajiem Apvienotās Karalistes tiesību aktiem.

kg

Kilograms

V

Volti

IPX4

Aizsardzība pret ūdens strūkļām

LV

SPECIFIKĀCIJAS

Spriegums	56 V	
Tīrīšanas darba platums	61 cm	
Ieplūdes augstums	51 cm	
Aizmugurējā riteņa izmērs	38 cm	
Svars	68 kg	
Ieteicamā darba temperatūra	-20°C-10°C	
Ieteicamā uzglabāšanas temperatūra	-20°C- 70°C	
Izmērītais skaņas intensitātes līmenis L_{WA}	96,61 dB(A) K=1,6 dB(A)	
Trokšņa spiediena līmenis pie lietotāja auss L_{PA}	82,5 dB(A) K=4 dB(A)	
Garantētais skaņas intensitātes līmenis L_{WA} (mērīts saskaņā ar 2000/14/EK)	98 dB(A)	
Vibrācijas ietekmes novērtējums a_{Hv} :	Kreisais rokturis	0,3 m/s ² K=1,5 m/s ²
	Labais rokturis	0,4 m/s ² K=1,5 m/s ²

APRAKSTS

LV

IEPAZĪSTIET SAVU SNIEGA PŪTĒJU (A1 un A2 att.)

1. Rokturu sānu pagarinājums
2. Akumulatoru nodalījuma vāciņš
3. Akumulatoru nodalījums
4. Riteniņi
5. Pretslīdes plāksne
6. LED priekšējie lukturi
7. Platforma
8. Teknes tīrīšanas instruments
9. Sniega izlādes tekne
10. Teknes deflektors
11. Aizmugurējais rokturis
12. LED sānu gaismas
13. Spirālveida urbja ieslēgšanas slēdzis
14. Galvenais rokturis
15. Spirālveida urbja ātruma regulēšanas svira
16. Drošības poga
17. Pašgājēja funkcijas ātruma regulēšanas svira

18. Pašgājēja sistēmas slēdzis
19. Galvenais rokturis
20. LED apgaismojuma poga
21. LED indikators
22. Teknes pagriešanas rokturis
23. Teknes deflektora rokturis
24. Spirālveida urbis
25. Skrāpis
26. Akumulatora atbrīvošanas poga
27. Elektriskie kontakti

IEPAKOJUMA SATURA SARAKSTS (A3 ATT.)

MONTĀŽA

RITEŅA UZSTĀDĪŠANA/DEMONTĒŠANA

1. Lai atvieglotu uzstādīšanu, novietojiet sniega pūtēju B attēlā redzamā stāvoklī.
2. Izņemiet no ass ārējo blīvi un riteņa bloķēšanas tapu.
3. Uzstādiet ritenim ārējo blīvi. Piestipriniet ar riteņa bloķēšanas tapu.

Piezīme! Pirms uzstādīšanas pārbaudiet riteni, lai pārliecinātos, vai uz riteņa esošā bultņa ir vērsta virzienā uz priekšu (B att.).

B-1	Ārējā blīve	B-2	Riteņa bloķēšanas tapa
-----	-------------	-----	------------------------

ROKTURU UZSTĀDĪŠANA

PIEZĪME! Pirms sniega pūtēja iedarbināšanas jāuzstāda rokturis (C1 att.)

C-1	Fiksēšanas poga	C-2	Rokturis
-----	-----------------	-----	----------

Atskrūvējiet visas četras bloķēšanas pogas un izvelciet skrūves. Saglabājiet tās, lai pēc tam varētu vēlreiz salikt kopā. Izvēlieties ērtu darba stāvokli atbilstoši savam augumam (C2 att.). Rokturi var uzstādīt trīs dažādos augstumos. (C3, C4 un C5 att.)

Augšējā darbības pozīcija, kā parādīts C3 att.

Vidējā darbības pozīcija, kā parādīts C4 att.

Apakšējā darbības pozīcija, kā parādīts C5 att.

SNIEGA IZLĀDES TEKNES UZSTĀDĪŠANA

⚠ BRĪDINĀJUMS! Nekādā gadījumā nedarbiniet sniega pūtēju, ja nav pilnībā uzstādīta izplūdes tekne.

1. Atskrūvējiet pogu uz iekšējā atbalsta stieņa un noņemiet skrūvi (D1 att.). Nolieciet malā pogu un

skrūvi, ko izmantosiet vēlāk montāžai.

D-1	Sniega izlādes tekne	D-2	Ārējais atbalsta stienis
D-3	Poga	D-4	Iekšējais atbalsta stienis
D-5	Pamatne	D-6	Bultskrūve

- Lai iebīdītu ārējo atbalsta stieni, paceliet sniega izplūdes tekni un salāgojiet ārējo atbalsta stieni ar iekšējo atbalsta stieni. Sniega izlādes teknei ir jābūt novietotai uz pamatnes (D2 att.).
- Piestipriniet sniega izlādes tekni ar iepriekš malā nolikto pogu un skrūvi.
- Ar iekšējo kabēja regulatoru var mainīt teknes pagriešanas roktura kustības spēku; spēku var samazināt, nedaudz pagriežot iekšējo kabēja regulatoru pretēji pulksteņrādītāja kustības virzienam (D2. attēls). Un otrādi — spēku var palielināt, pagriežot to pretējā virzienā. Ņemiet vērā, ka sniega izlādes tekne lietošanas laikā novirzīsies pa kreisi/pa labi, ja tā nebūs pietiekami stingri piestiprināta.

EKSPLOATĀCIJA

AKUMULATORU BLOKA IEVIETOŠANA/IZŅEMŠANA

PIRMS PIRMĀS LIETOŠANAS REIZES AKUMULATORŠ IR JĀUZLĀDĒ.

Izmantojiet tikai A4 attēlā uzskaitītos akumulatora blokus un lādētājus.

PIEZĪME! PIEZĪME. Lai iegūtu vislabāko veiktspeju, iesakām izmantot kopā ar diviem 5,0 Ah EGO 56V ARC litija akumulatoriem vai ar diviem lielākas ietilpības EGO 56V ARC litija akumulatoriem.

Kad iekārta netiek izmantota, 56 V akumulatori jāuzglabā slēgtā vietā, kur temperatūra nenoslīd zem -20 °C. Optimālā uzlādēšanas temperatūra ir no 5 °C līdz 40 °C.

ievietošana

Ievietojiet akumulatoru bloku akumulatora nodalījumā, to piespiežot, līdz izdzirdat „klikšķa” skaņu. (E1 ATT.)

Izņemšana

Nospiediet akumulatora nodalījumā akumulatora atbrīvošanas pogu. (E2 ATT.)

PIEZĪME! Pirms darba sākšanas pārliecinieties, vai ir nofiksējis sniega pūtēja slēgmehānisms un akumulatoru bloks(-i).

SNIEGA PŪTĒJA IESLĒGŠANA/IZSLĒGŠANA

▲ UZMANĪBU! Nekādā gadījumā nemēģiniet izmainīt drošības pogas darbību.

▲ BRĪDINĀJUMS! Lietojot sniega pūtēju, sekojiet, lai citi cilvēki un mājdzīvnieki atrodas vismaz 30 m attālumā no tā.

▲ BRĪDINĀJUMS! Pēc sniega pūtēja izslēgšanas spirālveida urbis turpinās rotēt vēl dažas sekundes. Pirms vēlreiz iedarbināt sniega pūtēju, pagaidiet, kamēr apstājas spirālveida urbis.

PIEZĪME! Neizslēdziet un neieslēdziet sniega pūtēju pārāk ātri.

Sniega pūtēja iedarbināšana

- Rokturim ir jābūt noregulētam atbilstošā augstumā, sānu izlādes tekni ir jāuzstāda pareizi, tekne un deflektors ir jānoregulē atbilstošā stāvoklī.
- Ielieciet akumulatoru(-s) sniega pūtējā un aizveriet akumulatoru nodalījuma vāciņu.
- Nospiediet **drošības pogu (A-16)** un pieturiet 1 sekundi, **LED indikatora gaisma (A-21)** sāks mirgot zaļā krāsā. Lai ieslēgtu sniega pūtēju, nospiediet **spirālveida urbja ieslēgšanas slēdzi (A-13)**, kamēr mirgo LED indikatora gaisma.

PIEZĪME! Sniega pūtēju ar spirālveida urbja ieslēgšanas slēdzi var ieslēgt tikai tad, kad mirgo LED indikators.

PIEZĪME! Sniega pūtējs var nedarboties pareizi, ja tā akumulatoru temperatūra nokrīt zem -20 °C grādiem vai zemāk. Ja sniega pūtēju nevar ieslēgt, izņemiet akumulatoru no sniega pūtēja un vismaz uz 10 minūtēm ienesiet telpās, kur tas var uzsilt. Ielieciet atpakaļ akumulatoru un mēģiniet vēlreiz iedarbināt iekārtu.

Sniega pūtēja apturēšana

Pilnībā atļaidiet spirālveida urbja ieslēgšanas slēdzi.

PIEZĪME! Elektriskā bremze automātiskajā bremžu mehānismā apstādina spirālveida urbja griešanas 3 sekunžu laikā pēc spirālveida urbja slēdža atlaišanas.

Mainīgā spirālveida urbja darbības ātruma sistēma

Lai noregulētu sniega izmešanas attālumu, varat noregulēt spirālveida urbja ātrumu.

Ātruma palielināšanai/samazināšanai jāpārvieto spirālveida urbja ātruma regulēšanas svira (A-15) uz priekšu/atpakaļ.

Pašgājēja sistēma ar mainīgu darbības ātrumu

Sniega pūtējs ir aprīkots ar pašgājēja sistēmu ar mainīgu darbības ātruma iespēju. Sistēma darbojas neatkarīgi no spirālveida urbja rotācijas.

Lai darbinātu pašgājēja sistēmu bez spirālveida urbja rotācijas, piespiediet **pašgājēja sistēmas slēdzi (A-18)** pie roktura. Lai palielinātu ātrumu, pārvietojiet **pašgājēja funkcijas ātruma regulēšanas sviru (A-17)** uz priekšu. Lai samazinātu ātrumu, pārvietojiet pašgājēja funkcijas ātruma regulēšanas sviru (A-17) atpakaļ.

Lai izslēgtu pašgājēja sistēmas funkciju, atlaidiet pašgājēja sistēmas slēdzi.

Lai sniega pūtēju pārvietotu atpakaļgaitā, vispirms apturiet pašgājēja sistēmas funkciju; pavelciet pašgājēja funkcijas ātruma regulēšanas sviru atpakaļgaitas pozīcijā **REVERSE**, un pēc tam nospiediet pašgājēja sistēmas slēdzi.

PIEZĪME! Ātrums tiek fiksēts, sniega pūtēju darbinot atpakaļgaitā ar pašgājēja funkciju; ar ātruma regulēšanas sviru nevar mainīt ātrumu, virzoties atpakaļgaitā.

PIEZĪME! Sniega pūtēju nevar pārslēgt braukšanai atpakaļgaitā, kamēr pašgājēja funkcija to virza uz priekšu.

SPIRĀLVEIDA URBJA IESLĒGŠANAS SLĒDZIS UN PAŠGĀJĒJA SISTĒMAS SLĒDŽA SAVIENOJUMS

Vispirms nospiediet vienlaikus **pašgājēja sistēmas slēdzi (A-18)** un **spirālveida urbja ieslēgšanas slēdzi (A-13)**, pēc tam atlaidiet spirālveida urbja ieslēgšanas slēdzi (labā puse), spirālveida urbja ieslēgšanas slēdzis paliks ieslēgts. Šī funkcija spirālveida urbja rotācijas laikā ļauj noregulēt pašgājēja funkcijas ātrumu un sniega izlādes virzienu.

Lai apturētu spirālveida urbi, atlaidiet pašgājēja sistēmas slēdzi — apstāsies gan spirālveida urbis, gan pašgājēja funkcija.

TEKNES UN DEFLEKTORA NOREGULĒŠANA

Tekni var noregulēt, lai mainītu izlādētā sniega virzienu un attālumu, un lai palīdzētu sniegu novirzīt no vienas vietas uz citu.

Sniega tīrīšanas virzienu var noregulēt pa kreisi 100° un pa labi 100°.

Lai pagrieztu tekni pa kreisi/pa labi, pagrieziet **teknes pagriešanas rokturi (A-22)** pa kreisi/pa labi.

Sniega izmešanas attālumu pielāgo, pārvietojot teknes deflektoru uz augšu vai uz leju.

Lai palielinātu vai samazinātu sniega izmešanas attālumu, pavelciet **teknes deflektora rokturi (A-23)** atpakaļ vai uz priekšu, lai paceltu vai nolaistu **teknes deflektoru (A-10)**. Tiklīdz ir noregulēta nepieciešamā teknes deflektora pozīcija, nofiksējiet teknes deflektora rokturi bloķēšanas gropē (F-1) (F att.).

LED SĀNU GAISMU (A-12) UN PRIEKŠĒJO LUKTURU (A-6) DARBĪBA

Lai izslēgtu sānu un priekšējo lukturu gaismas, divreiz nospiediet LED apgaismojuma pogu.

Lai izslēgtu sānu gaismas, divreiz nospiediet LED apgaismojuma pogu.

Visas gaismas izslēdz, nospiežot LED apgaismojuma pogu trīs reizes.

PIEZĪME! Ja sniega pūtējs netiek darbināts 5 minūtes,

visas LED gaismas automātiski izslēdzas.

SNIEGA PŪTĒJA LED INDIKATORU GAISMA (A-21)

Sniega pūtējs ir aprīkots ar LED indikatoru gaismu, kas norāda akumulatora(-u) uzlādes līmeni un sniega pūtēja darba stāvokli.

LED INDIKATORA GAISMA	Nozīme	Rīcība
Deg zaļā gaisma	Sniega pūtējs darbojas pareizi; uzlādes līmenis katram akumulatoram ir vismaz 15 %.	N/A
Mirgo sarkanā gaisma	Gandrīz izlādējies akumulators.	Apturiet sniega pūtēju un izņemiet akumulatoru bloku(-s).
Pārmaiņus mirgo zaļā un sarkanā krāsā	Kļūme	Sazinieties ar EGO klientu apkalpošanas centru.
Deg oranžā krāsā	Sniega pūtējs apstājies pārkaršanas dēļ.	Izņemiet no sniega pūtēja akumulatorus, pārvietojiet ēnainā vietā un vismaz 15 minūtes atdzesējiet.
Mirgo oranžā krāsā	Sniega pūtējs ir pārslēgots.	Vispirms izņemiet akumulatoru, pēc tam apskatiet un noīriiet, ja zem platformas ir sakrājis sniegs. Pārvietojoties pa sniegu, samaziniet ātrumu. Ja tas nelīdz, lūdzu, sazinieties ar EGO klientu apkalpošanas centru.
IZSLĒDZAS un uz akumulatora sāk mirgot LED gaisma	Pārkaris akumulators. (Skatīt šīs rokasgrāmatas sadaļu „AIZSARDZĪBA PRET AKUMULATORA PĀRKARŠANU”)	Izņemiet akumulatoru no sniega pūtēja un pagaidiet, līdz akumulators atdziest līdz aptuveni 67°C, pēc tam ielieciet akumulatoru atpakaļ un vēlreiz iedarbiniet sniega pūtēju.

SNIEGA PŪTĒJA AIZSARDZĪBA PRET PĀRLSODZI

Jūsu sniega pūtēja ir iebūvēti uz pārslodzi jutīgi elementi. Kad sniega pūtējs ir pārslodgots, motors automātiski samazina ātrumu, un var dzirdēt, kā samazinās motora trokšnis. Palēniniet tempu vai samaziniet tīrīšanas platumu, pēc tam motora ātrums automātiski atsāks braukt ar parasto ātruma iestatījumu. Ja tas neatrisinās ar pārslodzi saistīto problēmu, sensors automātiski izslēgs motoru, un sniega pūtēja LED indikatora gaisma sāks mirgot oranžā krāsā. Izņemiet akumulatoru(-s) no sniega pūtēja, pagaidiet 10 sekundes un pārbaudiet, vai spirālveida urbi un platformā nav iestrēdzis sniegs vai ledus. Ja nepieciešams, izpildiet instrukcijas, kas attiecas uz „**aizsērējušas teknes iztīrīšanu**”. Ievietojiet atpakaļ akumulatorus un vēlreiz iedarbiniet sniega pūtēju.

AIZSĒRĒJUŠAS TEKNES IZTĪRĪŠANA

⚠ BRĪDINĀJUMS! Vienmēr teknes tīrīšanai izmantojiet **teknes tīrīšanas instrumentu (A-8)**, kas kā piederums ir piestiprināts iekārtai, nevis rokas.

AIZSARDZĪBA PRET AKUMULATORA PĀRKARŠANU

Darbības laikā akumulators rada siltumu. Karstā laikā siltums izkliedējas daudz lēnāk. Ja akumulatora temperatūra darbības laikā pārsniedz 70 °C, aizsardzības ķēde nekavējoties izslēdz sniega pūtēju, lai aizsargātu akumulatoru bloku no karstuma radītiem bojājumiem. Uz sniega pūtēja nodzisis statusa indikators; sīkāku informāciju par LED indikatoru uz akumulatora izlasiet akumulatora lietotāja rokasgrāmatas sadaļā „**AKUMULATORA AIZSARDZĪBA**”. Atļaidiet drošības pogu, pagaidiet, līdz akumulators atdziest līdz apmēram 67 °C, un pēc tam ieslēdziet sniega pūtēju.

PADOMI IEKĀRTAS LIETOŠANĀ

⚠ BĪSTAMI! Nekad nebrauciet ar sniega pūtēju pa aizsalušu ezeru, upi vai tamlīdzīgām virsmām. Ledus ielūšana var izraisīt nāvi vai nopietnas traumas.

⚠ BĪSTAMI! Nekādā gadījumā nebrauciet ar sniega pūtēju pa jumtu vai citām nestabilām virsmām, kas var izraisīt nāvi vai nopietnas traumas.

⚠ BRĪDINĀJUMS! Nebrauciet ar sniega pūtēju pa ledu, jo operators var paslīdēt un nokrist, kas var izraisīt miesas bojājumus.

⚠ BRĪDINĀJUMS! Nevalkājiet vaļīgu apģērbu, šalles vai rotaslietas. Tos var ieraut kustīgajās daļās un izraisīt nāvi vai nopietnas traumas.

⚠ BRĪDINĀJUMS! Lai samazinātu elektriskās strāvas trieciena vai nāvējoša elektriskās strāvas trieciena

draudus, sniega izlāde jānovirza projām no visām elektriskajām ierīcēm.

⚠ BRĪDINĀJUMS! Nekad nevērsiet sniega pūtēju vai izplūdes tekni cilvēku vai mājdzīvnieku virzienā. Izsviests sniegs vai citi priekšmeti var izraisīt nopietnas traumas.

⚠ BRĪDINĀJUMS! Pārbaudiet, vai no sniega attīrāmajā vietā nav akmeņi, zari, stieples, grants un citi priekšmeti, ko sniega pūtējs var nejausi izmest jebkurā virzienā un kas var izraisīt smagus miesas bojājumus operatoram un citiem.

- Ja iekārta lietošanas laikā nonāk saskarē ar jebkāda veida šķēršļiem vai gruziem, apstādiniet sniega pūtēju, izņemiet akumulatora bloku(-s), aizvāciet šķēršļus un pirms iedarbināšanas rūpīgi pārbaudiet, vai iekārtai nav bojājumu.

⚠ BRĪDINĀJUMS! Nekad neliecieties izlādes tekne un nelieciet nevienu ķermeņa daļu sniega pūtēja priekšpusē ieslēgtas iekārtas laikā vai kad ir ievietots akumulatoru bloks(-i). Pirms aizsprostojuma iztīrīšanas vienmēr pārliecinieties, vai visas kustīgās detaļas ir apstājušās, un izņemiet laukā akumulatoru/akumulatorus. Šo norādījumu neievērošana var radīt smagus miesas bojājumus.

- Pirms sākat darbu, noskaidrojiet vēja virzienu. Ja iespējams, izlādējiet sniegu vēja virzienā, lai tas netiktu atsviests atpakaļ.

- Ekstremālos laika apstākļos dažas sniega pūtēja daļas var sasalt. Nemēģiniet iekārtu darbināt, ka tās daļas ir sasalušas.

- Darba beigās ļaujiet motoram darboties vēl dažas minūtes, lai novērstu kustīgo daļu sasalušanu, pēc tam vairākas reizes pagrieziet teknes pagriešanas rokturi uz priekšu un atpakaļ, lai atbrīvotu to no uzkrājušā ledus. Notīriet no teknes pamatnes visu sniegu un ledu.

- Sniegainā un aukstā laikā dažas vadības ierīces un kustīgās daļas var sasalt. Nemēģiniet darbināt iesalušās vadības ierīces ar lielu spēku. Ja rodas grūtības strādāt ar kādu vadības ierīci vai tās daļu, iedarbiniet iekārtu tā, kā tas aprakstīts sadaļā „**SNIEGA PŪTĒJA IESLĒGŠANA/IZSLĒGŠANA**”, un ļaujiet tai darboties dažas minūtes.

APKOPE

VISPĀRĒJĀ APKOPE

Plastmasas detaļu tīrīšanai neizmantojiet šķīdinātājus. Vairums plastmasu ir uzņēmīgas pret dažāda veida komerciālu šķīdinātāju radītiem bojājumiem un, tos izmantojot, var tikt sabojātas. Lai notīrītu netīrumus, putekļus, eļļu, smērvielas u.c. izmantojiet tīras lupatīņas.

LV

IEKĀRTAS IEELĻOŠANA

Visi šī plāvēja gultņi ir ieeļļoti, izmantojot pienācīgu augstvērtīgas smērvielas daudzumu, ar kuru pietiek visam ierīces darbībai, lietojot ierīci normālos darbības apstākļos. Tāpēc gultņiem nav nepieciešama papildu eļļošana.

PRETSLĪDES PLĀKŠŅU NOMAIŅA UN NOREGULĒŠANA

1. Izņemiet akumulatorus.
2. Atskrūvējiet un noņemiet skrūves uzgriežņus, bīves un pretslīdes plāksnes (G1 att.).
3. Ja nepieciešams, nomainiet pretslīdes plāksnes ar jaunām plāksnēm.
4. Pretslīdes plāksņu augstumu var noregulēt atbilstoši faktiskajiem sniega apstākļiem bez vajadzības nenonēmt uzgriežņus — vienkārši atskrūvējiet tos, noregulējiet pretslīdes plāksnes stāvokli un pēc tam atkal pievelciet (G2 att.).

ŠĶELTTAPAS NOMAIŅA

Šķelttapas atrodas uz spirālveida urbja vārpstas (H1 att.). Tās palīdz absorbēt momentāno griezes momentu, kad spirālveida urbis darba laikā saskaras ar šķēršļiem, un aizsargā pārnesumkārbu un motoru no bojājumiem.

H-1	Spirālveida urbja vārpsta	H-2	Šķelttapa
-----	---------------------------	-----	-----------

Lai nomainītu šķelttapa, izņemiet akumulatorus, noņemiet salauzto šķelttapa no spirālveida urbja vārpstas un nomainiet to ar jaunām tapām.

PIEZĪME! Uz teknes korpusa tiek glabātas divas rezerves šķelttapa, ar kurām var nomainīt oriģinālo bojāto tapu. (H2 att.)

LV

SNIEGA PŪTĒJA UZGLABĀŠANA

⚠ UZMANĪBU! Pārliecinieties, vai ir notīrīts viss izkusušais sniegs, kas var izplēt no sniega pūtēja, lai novērstu slīdēšanas un krišanas draudus.

- Izņemiet akumulatoru bloku(-s) un uzglabājiet drošā, bērniem nepieejamā vietā.

Pirms novietošanas uzglabāšanā notīriet mitrumu, visus netīrumus vai grūzus no akumulatora nodalījuma.

- Noslaukiet sniega pūtēju ar tīru un sausu lupatīņu.
- Pārbaudiet, vai ir pietiekami pieskrūvēti visi uzgriežņi, bultskrūves, pogas, skrūves utt.
- Pārbaudiet kustīgās daļas, vai tām nav bojājumu un vai nav salūzušas vai nodilušas. Saremontējiet bojātās daļas un, ja kādas detaļas trūkst, nomainiet ar jaunām.
- Glabājiet sniega pūtēju iekšējās tīrā un sausā, bērniem nepieejamā vietā.
- Neuzglabājiet blakus kodīgām vielām piemēram, mēslojumam vai akmeņšālim.

Apkārtējās vides aizsardzība



Neatbrīvojieties no elektriskajām ierīcēm kopā ar nešķīrotajiem sadzīves atkritumiem, nogādājiet tās uz atsevišķiem savākšanas punktiem.

Sazinieties ar vietējo pašvaldības iestādi, lai iegūtu informāciju par pieejamām savākšanas sistēmām.

Ja elektroierīces tiek izmestas atkritumu poligonos vai izgāztuvēs, gruntsūdenī var iekļūt bīstamas vielas, piesārņojot barības ķēdi, kaitējot veselībai un labklājībai.

KĻŪDU NOVĒRŠANA

⚠ BRĪDINĀJUMS! Vienmēr pirms sniega pūtēja apkopes darbu veikšanas vai transportēšanas izņemiet akumulatoru. Vienmēr aizsargājiet savas rokas, valkājot cimdus sniega pūtēja spirālveida urbja vai skrāpja apkopes darbu veikšanas laikā.

PROBLĒMA	CĒĻONIS	RISINĀJUMS
Sniega pūtēju nevar iedarbināt.	<ul style="list-style-type: none"> ■ Zems akumulatora uzlādes līmenis. ■ Spirālveida urbja ieslēgšanas slēdzis netika nospiests brīdī, kad LED indikatora gaisma mirgoja zaļā krāsā. ■ Spirālveida urbī iesalis sniegs vai ledus. ■ Pārkaršis akumulators. Akumulatora LED indikatora gaisma mirgo oranžā vai sarkanā krāsā (Skatīt šīs rokasgrāmatas sadaļu „AIZSARDŽĪBA PRET AKUMULATORA PĀRKARŠANU”). 	<ul style="list-style-type: none"> ■ Uzlādējiet akumulatoru. ■ Kad LED indikatora gaisma mirgo, nospiediet spirālveida urbja ieslēgšanas slēdzi. Ja LED indikatora gaisma pārstāj mirgot, sniega pūtējs nereaģēs, nospiežot spirālveida urbja ieslēgšanas slēdzi. ■ Vispirms izņemiet akumulatoru(-s), izmantojiet komplektācijā iekļauto teknes tīrīšanas instrumentu, lai notīrītu sniegu vai ledu, kas aizsprostojis spirālveida urbi. Vēlreiz iedarbiniet sniega pūtēju. ■ Izņemiet no sniega pūtēja pārkaršu akumulatoru un pagaidiet, līdz akumulators atdziest līdz aptuveni 67 °C, pēc tam ielieciet akumulatoru atpakāļ un vēlreiz iedarbiniet sniega pūtēju.
Motors ir ieslēgts, taču nedarbojas spirālveida urbis.	<ul style="list-style-type: none"> ■ Šķelttapa ir salauzta. 	<ul style="list-style-type: none"> ■ Nomainiet šķelttapu, ievērojot šīs rokasgrāmatas sadaļā „ŠĶELTAPAS NOMAIŅA” sniegtās norādes.
LED gaismas pogu nevar nospiegt ar pirmo reizi.	<ul style="list-style-type: none"> ■ Iekšējās pašpārbaudes process rada nelielu aizkavi, nospiežot pirmo pogu. 	<ul style="list-style-type: none"> ■ Turiet nospiestu LED apgaismojuma pogu 1 sekundi.
LED akumulatora indikatora gaisma deg pēc sniega pūtēja spirālveida urbja apturēšanas vai pašgājēja sistēmas izslēgšanas.	<ul style="list-style-type: none"> ■ Elektriskā ķēde atrodas gaidstāves režīmā un gaida uz nākamo iedarbināšanu. Ja sniega pūtējs netiek darbināts 5 - 10 minūšu laikā, LED automātiski izslēdzas. 	<ul style="list-style-type: none"> ■ Vienkārši atstājiet to vai izņemiet akumulatorus no akumulatora nodalījuma.

LV

GARANTĪJA

Lūdzu, apmeklējiet tīmekļa vietni egopowerplus.eu, kur pieejama pilna EGO garantijas politikas noteikumu un nosacījumu versija.

ΔΙΑΒΑΣΤΕ ΟΛΕΣ ΤΙΣ ΟΔΗΓΙΕΣ!

Προβλεπόμενη χρήση: Απομάκρυνση χιονιού από εισόδους και πεζοδρόμια.

⚠️ ΠΡΟΕΙΔΟΠΟΙΗΣΗ: Βεβαιωθείτε ότι έχετε διαβάσει και κατανοήσει όλες τις οδηγίες ασφάλειας στο παρόν εγχειρίδιο χρήσης, συμπεριλαμβανομένων όλων των συμβόλων ασφάλειας, όπως «**ΚΙΝΔΥΝΟΣ**», «**ΠΡΟΕΙΔΟΠΟΙΗΣΗ**» και «**ΠΡΟΣΟΧΗ**», προτού να χρησιμοποιήσετε αυτό το ηλεκτρικό εργαλείο. Η μη τήρηση όλων των παρακάτω οδηγιών μπορεί να οδηγήσει σε ηλεκτροπληξία, πυρκαγιά και/ή σοβαρό τραυματισμό.

⚠️ ΠΡΟΕΙΔΟΠΟΙΗΣΗ: Η λειτουργία ηλεκτρικών εργαλείων μπορεί να προκαλέσει την εκτόξευση ξένων αντικειμένων στα μάτια σας, με αποτέλεσμα σοβαρό τραυματισμό των ματιών. Προτού ξεκινήσετε τη χρήση του ηλεκτρικού εργαλείου, φοράτε πάντα προστατευτικά γυαλιά ή γυαλιά με πλευρική προστασία ή πλήρη προστατευτική προσωπίδα, εφόσον απαιτηθεί. Συνιστούμε μια προσωπίδα ασφαλείας ευρείας όρασης, για χρήση πάνω από γυαλιά ή τα συνήθη προστατευτικά γυαλιά με πλευρική προστασία.

ΣΥΜΒΟΛΑ ΑΣΦΑΛΕΙΑΣ



Προειδοποίηση ασφαλείας



Διατηρείτε τα πόδια και τα χέρια σας μακριά.



ΠΡΟΣΟΧΗ: Μην κοιτάτε απευθείας μέσα στη λάμπα λειτουργίας.



Προκειμένου να μειωθεί ο κίνδυνος τραυματισμού, ο χρήστης πρέπει να διαβάσει και να κατανοήσει το εγχειρίδιο χρήσης προτού να χρησιμοποιήσει αυτό το προϊόν.



Φοράτε πάντοτε προστατευτικά γυαλιά ή γυαλιά ασφαλείας με πλευρική προστασία και πλήρη προστατευτική προσωπίδα κατά τη λειτουργία αυτού του προϊόντος.



ΚΙΝΔΥΝΟΣ — Απενεργοποιήστε τον κινητήρα πριν από την απομάκρυνση εμπλοκών από τη χόανη εξαγωγής. Για να μειώσετε τον κίνδυνο τραυματισμών, διατηρείτε τα χέρια και τα πόδια σας μακριά από περιστρεφόμενα μέρη. Οι εμπλοκές πρέπει να αποκαθίστανται μόνο κατόπιν απενεργοποίησης του κινητήρα και ποτέ χειρωνακτικά.

GR



Διατηρείτε τα πόδια σας μακριά από την πτερωτή



Τα απόβλητα ειδών ηλεκτρικού και ηλεκτρονικού εξοπλισμού δεν πρέπει να απορρίπτονται στα οικιακά απορρίμματα. Παραδώστε τα σε εξουσιοδοτημένη μονάδα ανακύκλωσης.



Εγγυημένη στάθμη ηχητικής ισχύος. Σύμφωνα με την οδηγία της Ευρωπαϊκής Κοινότητας.



Αυτό το προϊόν συμμορφώνεται με τις εφαρμοστέες οδηγίες ΕΚ.



Συνεχή ρεύματα



Αυτό το προϊόν συμμορφώνεται με την ισχύουσα νομοθεσία του ΗΒ.

kg

Χιλιόγραμμα

V

Volt

IPX4

Προστατευόμενο από πίδακες νερού χαμηλής πίεσης από οποιαδήποτε κατεύθυνση

ΤΕΧΝΙΚΕΣ ΠΡΟΔΙΑΓΡΑΦΕΣ

Τάση	56 V	
Πλάτος καθαρισμού	61 cm	
Ύψος εισόδου	51 cm	
Μέγεθος τροχού	38 cm	
Βάρος	68 kg	
Συνιστώμενη θερμοκρασία λειτουργίας	-20°C-10°C	
Συνιστώμενη θερμοκρασία αποθήκευσης	-20°C-70°C	
Μετρημένη στάθμη ηχητικής ισχύος L_{WA}	96,61 dB(A) K=1,6 dB(A)	
Στάθμη ηχητικής πίεσης στο αυτί του χειριστή L_{PA}	82,5 dB(A) K=4 dB(A)	
Εγγυημένο επίπεδο ισχύος ήχου L_{WA} (μέτρηση κατά 2000/14/ΕΚ)	98 dB(A)	
Αξιολόγηση δονήσεων a_{hh} :	Αριστερή χειρολαβή	0,3 m/s ² K=1,5 m/s ²
	Δεξιά χειρολαβή	0,4 m/s ² K=1,5 m/s ²

ΠΕΡΙΓΡΑΦΗ

ΓΝΩΡΙΣΤΕ ΤΟ ΦΥΣΗΤΗΡΑ ΧΙΟΝΙΟΥ ΣΑΣ (Εικ. Α1 & Α2)

1. Πλευρική ράγα
2. Κάλυμμα μπαταρίας
3. Θήκη συστοιχίας μπαταριών
4. Τροχοί
5. Πέλμα ολίσθησης
6. Κύριοι προβολείς LED
7. Βάση
8. Εργαλείο καθαρισμού χόανης
9. Χοάνη εξαγωγής χιονιού
10. Εκτροπέας χόανης
11. Πίσω χειρολαβή
12. Πλευρικοί προβολείς LED
13. Διακόπτης σκανδαλισμού κοχλία
14. Κύρια χειρολαβή
15. Μοχλός ελέγχου ταχύτητας κοχλία
16. Κουμπί ασφάλειας
17. Αυτοκινούμενος μοχλός ελέγχου ταχύτητας
18. Αυτοκινούμενη σκανδάλη

19. Κύρια χειρολαβή
20. Διακόπτης φωτισμού LED
21. Ένδειξη LED
22. Χειρολαβή περιστροφής χόανης
23. Χειρολαβή εκτροπέα χόανης
24. Κοχλίας
25. Ράβδος αποξεστήρα
26. Κουμπί αποδέσμευσης της συστοιχίας μπαταριών
27. Ηλεκτρικές επαφές

ΚΑΤΑΛΟΓΟΣ ΕΞΑΡΤΗΜΑΤΩΝ ΣΥΣΚΕΥΑΣΙΑΣ (ΕΙΚ. Α3)

ΣΥΝΑΡΜΟΛΟΓΗΣΗ

ΠΡΟΣΑΡΤΗΣΗ/ΑΦΑΙΡΕΣΗ ΤΡΟΧΟΥ

1. Τοποθετήστε το φυσητήρα χιονιού σύμφωνα με το Εικ. Β για ευκολότερη προσάρτηση.
2. Αφαιρέστε την εξωτερική τσιμούχα και τον πείρο ασφάλισης τροχού από τον άξονα.
3. Συναρμολογήστε τον τροχό και την εξωτερική τσιμούχα. Κλειδώστε τα με τον πείρο ασφάλισης τροχού.

Σημείωση: Ελέγξτε τον τροχό πριν από την εγκατάσταση για να βεβαιωθείτε ότι το βέλος του τροχού έχει κατεύθυνση προς τα εμπρός (Εικ. Β).

B-1	Εξωτερική τσιμούχα	B-2	Πείρος ασφάλισης τροχού
-----	--------------------	-----	-------------------------

ΕΓΚΑΤΑΣΤΑΣΗ ΔΙΑΤΑΞΗΣ ΧΕΙΡΟΛΑΒΗΣ

ΣΗΜΕΙΩΣΗ: Η διάταξη χειρολαβής απαιτεί συναρμολόγηση πριν από τη χρήση του φυσητήρα χιονιού (Εικ. C1)

C-1	Κουμπί ασφάλισης	C-2	Διάταξη χειρολαβής
-----	------------------	-----	--------------------

Ξεβιδώστε τις τέσσερις ασφάλειες και τραβήξτε τα μπουλόνια προς τα έξω. Φυλάξτε τα για την επανασυναρμολόγηση. Επιλέξτε μια άνετη θέση εργασίας, ανάλογα με το ύψος σας (Εικ. C2). Η διάταξη χειρολαβής μπορεί να ρυθμιστεί σε τρία διαφορετικά ύψη. (Εικ. C3 & Εικ. C4 & Εικ. C5)

Επάνω θέση λειτουργίας σύμφωνα με την Εικ. C3
Μεσαία θέση λειτουργίας σύμφωνα με την Εικ. C4
Κάτω θέση λειτουργίας σύμφωνα με την Εικ. C5

GR

ΕΓΚΑΤΑΣΤΑΣΗ ΤΗΣ ΔΙΑΤΑΞΗΣ ΕΞΑΓΩΓΗΣ ΧΙΟΝΙΟΥ

⚠️ ΠΡΟΕΙΔΟΠΟΙΗΣΗ: Μη χρησιμοποιείτε ποτέ το φυσητήρα χιονιού χωρίς να υπάρχει εγκατεστημένη η πλήρης χοάνη εξαγωγής.

- Ξεβιδώστε το κουμπί από την εσωτερική ράβδο υποστήριξης και αφαιρέστε το μπουλόνι (Εικ. D1). Φυλάξτε το κουμπί και το μπουλόνι για την επανασυναρμολόγηση.

D-1	Χοάνη εξαγωγής χιονιού	D-2	Εξωτερική ράβδος υποστήριξης
D-3	Κουμπί	D-4	Εσωτερική ράβδος υποστήριξης
D-5	Βάση	D-6	Μπουλόνι

- Ανασηκώστε τη διάταξη της χοάνης εξαγωγής χιονιού, ευθυγραμμίστε την εξωτερική ράβδο υποστήριξης με την εσωτερική ράβδο υποστήριξης, ώστε να ωθήσετε την εξωτερική ράβδο υποστήριξης στη θέση της. Βεβαιωθείτε ότι η χοάνη εξαγωγής χιονιού εφάπτεται επάνω στη βάση (Εικ. D2).
- Ασφαλίστε τη διάταξη της χοάνης εξαγωγής χιονιού με το κουμπί και το μπουλόνι που έχετε φυλάξει.
- Με τον ενσωματωμένο ρυθμιστή καλωδίου μπορείτε να αλλάξετε την ισχύ κίνησης της χειρολαβής περιστροφής του καναλιού αποβολής. Μπορείτε να μειώσετε την ισχύ περιστρέφοντας τον ενσωματωμένο ρυθμιστή καλωδίου ελαφρά αριστερόστροφα (Εικ. D2). Αντίθετα, μπορείτε να αυξήσετε την ισχύ περιστρέφοντας στην αντίθετη κατεύθυνση. Λάβετε υπόψη ότι το κανάλι αποβολής χιονιού θα κινείται αριστερά/δεξιά εάν είναι υπερβολικά χαλαρό.

ΛΕΙΤΟΥΡΓΙΑ

GR

ΠΡΟΣΑΡΤΗΣΗ/ΑΦΑΙΡΕΣΗ ΤΗΣ ΣΥΣΤΟΙΧΙΑΣ ΜΠΑΤΑΡΙΩΝ

ΦΟΡΤΙΣΗ ΠΡΙΝ ΑΠΟ ΤΗΝ ΠΡΩΤΗ ΧΡΗΣΗ.

Να χρησιμοποιείται μόνο με τις συστοιχίες μπαταριών και τους φορτιστές που αναφέρονται στην Εικ. A4.

ΣΗΜΕΙΩΣΗ: Για καλύτερη απόδοση συνιστάται η χρήση με δύο μπαταρίες 5,0 Ah ARC Lithium 56V της EGO ή με δύο μπαταρίες ARC Lithium 56V της EGO μεγαλύτερης χωρητικότητας.

Όταν δε χρησιμοποιούνται, οι συστοιχίες μπαταριών 56V πρέπει να αποθηκεύονται σε εσωτερικό χώρο, στο οποίο η θερμοκρασία δεν πέφτει κάτω από τους -20°C. Η βέλτιστη θερμοκρασία φόρτισης κυμαίνεται μεταξύ 5°C και 40°C.

Προσάρτηση

Ωθήστε τη συστοιχία μπαταριών στη θήκη συστοιχίας μπαταριών, μέχρι να ακουστεί το χαρακτηριστικό «κλικ». (ΕΙΚ. E1)

Αφαίρεση

Πιέστε το κουμπί αποδέσμευσης της συστοιχίας μπαταριών στη θήκη μπαταρίας. (ΕΙΚ. E2)

ΣΗΜΕΙΩΣΗ: Βεβαιωθείτε ότι το μάνταλο πάνω στο φυσητήρα χιονιού κουμπώνει στη θέση του και ότι η συστοιχία μπαταριών έχει ασφαλιστεί στη μονάδα προτού να ξεκινήσετε τη χρήση.

ΕΝΕΡΓΟΠΟΙΗΣΗ/ΑΠΕΝΕΡΓΟΠΟΙΗΣΗ ΤΟΥ ΦΥΣΗΤΗΡΑ ΧΙΟΝΙΟΥ

⚠️ ΠΡΟΣΟΧΗ: Μην επιχειρήσετε να παρακάμψετε τη λειτουργία του κουμπιού ασφαλείας.

⚠️ ΠΡΟΕΙΔΟΠΟΙΗΣΗ: Διασφαλίστε ότι άλλα άτομα και κατοικίδια παραμένουν σε απόσταση τουλάχιστον 30 m από το φυσητήρα χιονιού όταν αυτός χρησιμοποιείται.

⚠️ ΠΡΟΕΙΔΟΠΟΙΗΣΗ: Ο κοχλίας συνεχίζει να περιστρέφεται για μερικά δευτερόλεπτα μετά την απενεργοποίηση του φυσητήρα χιονιού. Περιμένετε μέχρι να σταματήσει η περιστροφή του κοχλία, πριν από την επανεκκίνηση.

ΣΗΜΕΙΩΣΗ: Μην απενεργοποιείτε και ενεργοποιείτε γρήγορα το φυσητήρα χιονιού.

Ενεργοποίηση του φυσητήρα χιονιού

- Βεβαιωθείτε ότι η διάταξη χειρολαβής είναι ρυθμισμένη με ασφάλεια στο κατάλληλο ύψος, η διάταξη χοάνης πλευρικής εξαγωγής είναι σωστά προσαρτημένη, η χοάνη και ο εκτροπέας χοάνης είναι ρυθμισμένα στην κατάλληλη θέση.
- Τοποθετήστε τη συστοιχία μπαταριών στο φυσητήρα χιονιού και κλείστε το κάλυμμα μπαταρίας.
- Πατήστε το κουμπί ασφαλείας (A-16) και διατηρήστε το πατημένο για 1 δευτερόλεπτο. Η ένδειξη LED (A-21) θα ανάψει πράσινη. Πατήστε το διακόπτη σκανδαλισμού κοχλία (A-13) για να ενεργοποιήσετε το φυσητήρα χιονιού ενώ αναβοσβήνει η ένδειξη LED.

ΣΗΜΕΙΩΣΗ: Ο φυσητήρας χιονιού μπορεί να ενεργοποιηθεί από το διακόπτη σκανδαλισμού κοχλία μόνο όταν αναβοσβήνει η ένδειξη LED.

ΣΗΜΕΙΩΣΗ: Ο φυσητήρας χιονιού ενδέχεται να μην ενεργοποιηθεί σωστά εάν η θερμοκρασία της συστοιχίας μπαταριών του είναι -20°C ή ακόμα χαμηλότερη. Εάν ο φυσητήρας χιονιού δεν ενεργοποιείται, αφαιρέστε τη συστοιχία μπαταριών και αφήστε την να ζεσταθεί σε εσωτερικό χώρο για τουλάχιστον 10 λεπτά. Τοποθετήστε εκ νέου τη συστοιχία μπαταριών και ξαναδοκιμάστε.

Απενεργοποίηση του φουσητήρα χιονιού

Αποδεσμεύστε πλήρως το διακόπτη σκανδαλισμού κοχλία.

ΣΗΜΕΙΩΣΗ: Το ηλεκτρικό φρένο στον αυτόματο μηχανισμό φρεναρίσματος θα σταματήσει την περιστροφή κοχλία εντός 3 δευτερολέπτων από την αποδέσμευση του διακόπτη κοχλία.

Μεταβλητό σύστημα ταχύτητας κοχλία

Η ταχύτητα του κοχλία επιδέχεται ρύθμιση για την προσαρμογή της απόστασης ρίψης.

Για την αύξηση/μείωση της ταχύτητας, πατήστε το μοχλό ελέγχου ταχύτητας κοχλία (A-15) προς τα εμπρός / προς τα πίσω.

Αυτοκινούμενο σύστημα μεταβλητής ταχύτητας

Ο φουσητήρας χιονιού είναι εξοπλισμένος με δυνατότητα αυτοκινούμενης μεταβλητής ταχύτητας. Αυτή δεν εξαρτάται από την περιστροφή κοχλία.

Για να λειτουργήσει το αυτοκινούμενο σύστημα χωρίς περιστροφή κοχλία, πιέστε την αυτοκινούμενη σκανδάλη (A-18) στη λαβή. Για να αυξήσετε την ταχύτητα, μετακινήστε τον αυτοκινούμενο μοχλό ελέγχου ταχύτητας (A-17) προς τα εμπρός. Για να μειώσετε την ταχύτητα, μετακινήστε τον αυτοκινούμενο μοχλό ελέγχου ταχύτητας προς τα πίσω.

Για να απενεργοποιήσετε τη λειτουργία αυτοκίνησης, αποδεσμεύστε την αυτοκινούμενη σκανδάλη.

Για να κινήσετε το φουσητήρα χιονιού όπισθεν, απενεργοποιήστε πρώτα τη λειτουργία αυτοκίνησης, τραβήξτε τον αυτοκινούμενο μοχλό ελέγχου ταχύτητας στη θέση ΟΠΙΣΘΕΝ και, στη συνέχεια, πατήστε την αυτοκινούμενη σκανδάλη.

ΣΗΜΕΙΩΣΗ: Η ταχύτητα είναι σταθερή κατά τη λειτουργία του φουσητήρα χιονιού όπισθεν με αυτοκίνηση. Η μοχλός ελέγχου ταχύτητας δεν μπορεί να αλλάξει την ταχύτητα όπισθεν.

ΣΗΜΕΙΩΣΗ: Ο φουσητήρας χιονιού δεν μπορεί να ρυθμιστεί σε όπισθεν λειτουργία ενώ η λειτουργία αυτοκίνησης τον κινεί προς τα εμπρός.

ΣΥΝΔΕΣΗ ΔΙΑΚΟΠΤΗ ΣΚΑΝΔΑΛΙΣΜΟΥ ΚΟΧΛΙΑ ΚΑΙ ΑΥΤΟΚΙΝΟΥΜΕΝΗΣ ΣΚΑΝΔΑΛΗΣ

Εάν πατηθούν ταυτόχρονα η αυτοκινούμενη σκανδάλη (A-18) και ο διακόπτης σκανδαλισμού κοχλία (A-13) και στη συνέχεια αποδεσμευτεί ο διακόπτης σκανδαλισμού κοχλία (δεξί χέρι), ο διακόπτης σκανδαλισμού κοχλία θα παραμείνει δεσμευμένος. Αυτή η λειτουργία επιτρέπει τη ρύθμιση της ταχύτητας κοχλία, της ταχύτητας αυτοκίνησης και της κατεύθυνσης απόρριψης του χιονιού καθώς περιστρέφεται ο κοχλίας.

Για να απενεργοποιηθεί ο κοχλίας, αποδεσμεύστε το

διακόπτη σκανδαλισμού κοχλία. Θα απενεργοποιηθεί τόσο ο κοχλίας όσο και η λειτουργία αυτοκίνησης.

ΠΡΟΣΑΡΜΟΓΗ ΧΟΑΝΗΣ ΚΑΙ ΕΚΤΡΟΠΕΑ

Η χοάνη μπορεί να προσαρμοστεί τόσο για αλλαγή κατεύθυνσης όσο και απόστασης, όσον αφορά την απόρριψη χιονιού, ώστε να σας βοηθήσει κατά τη μετακίνηση του χιονιού από ένα σημείο σε ένα άλλο.

Η κατεύθυνση της απομάκρυνσης χιονιού μπορεί να προσαρμοστεί έως 100° αριστερά και 100° δεξιά.

Τραβήξτε τη χειρολαβή περιστροφής χοάνης (A-22) προς τα αριστερά/δεξιά για να περιστρέψετε τη χοάνη αριστερά/δεξιά.

Η απόσταση ρίψης του φουσητήρα χιονιού μπορεί να προσαρμοστεί μετακινώντας τον εκτροπέα χοάνης προς τα επάνω ή προς τα κάτω.

Για να αυξήσετε ή να μειώσετε την απόσταση ρίψης του χιονιού, τραβήξτε τη χειρολαβή εκτροπέα χοάνης (A-23) προς τα πίσω ή προς τα εμπρός για να ανυψώσετε ή να βυθίσετε τον εκτροπέα χοάνης (A-10). Μόλις επιτευχθεί η επιθυμητή θέση του εκτροπέα χοάνης, κλειδώστε τη χειρολαβή του εκτροπέα χοάνης στην υποδοχή ασφάλισης (F-1) (Εικ. F).

ΛΕΙΤΟΥΡΓΙΑ ΠΛΕΥΡΙΚΩΝ ΠΡΟΒΟΛΕΩΝ LED (A-12) ΚΑΙ ΚΥΡΙΩΝ ΠΡΟΒΟΛΕΩΝ LED (A-6)

Πατήστε το διακόπτη φωτισμού LED μια φορά για να ενεργοποιήσετε και τους πλευρικούς και τους κύριους προβολείς.

Πατήστε το διακόπτη φωτισμού LED δυο φορές για να απενεργοποιήσετε τους πλευρικούς προβολείς.

Πατήστε το διακόπτη φωτισμού LED τρεις φορές για να ενεργοποιήσετε όλους τους προβολείς.

ΣΗΜΕΙΩΣΗ: Όλος ο φωτισμός LED θα απενεργοποιηθεί αυτόματα, εφόσον ο φουσητήρας χιονιού δε χρησιμοποιηθεί εντός 5 λεπτών.

ΕΝΔΕΙΞΗ LED (A-21) στο ΦΥΣΗΤΗΡΑ ΧΙΟΝΙΟΥ

Ο φουσητήρας χιονιού είναι εξοπλισμένος με μια ένδειξη LED που επισημαίνει το επίπεδο φόρτισης της συστοιχίας μπαταριών και την κατάσταση λειτουργίας του φουσητήρα χιονιού.

ΕΝΔΕΙΞΗ LED	Επεξήγηση	Ενέργεια
Ανάβει πράσινη	Ο φουσητήρας χιονιού λειτουργεί σωστά. Κάθε συστοιχία μπαταριών είναι φορτισμένη τουλάχιστον 15%.	Δεν υπάρχει.

GR

Αναβοσβήνει κόκκινη	Η συστοιχία μπαταριών έχει σχεδόν αδειάσει.	Απενεργοποιήστε το φουσητήρα χιονιού και φορτίστε τη συστοιχία μπαταριών.
Αναβοσβήνει εναλλάξ πράσινο και κόκκινο	Σφάλμα	Επικοινωνήστε με το κέντρο εξυπηρέτησης πελατών της EGO
Ανάβει πορτοκαλί	Ο φουσητήρας χιονιού απενεργοποιείται λόγω υπερθέρμανσης.	Αφαιρέστε τη συστοιχία μπαταριών από το φουσητήρα χιονιού, μετακινήστε την στη σκιά και αφήστε την να κρυώσει για τουλάχιστον 15 λεπτά.
Αναβοσβήνει πορτοκαλί	Ο φουσητήρας χιονιού έχει υπερφορτωθεί.	Αρχικά, αφαιρέστε τη συστοιχία μπαταριών και, στη συνέχεια, ελέγξτε και καθαρίστε τυχόν χιόνι που έχει συσσωρευτεί κάτω από τη βάση. Μειώστε το ρυθμό σας κατά την απομάκρυνση χιονιού. Σε περίπτωση που αυτό δεν έχει αποτέλεσμα, επικοινωνήστε με το κέντρο εξυπηρέτησης πελατών της EGO.
Απενεργοποιημένος και αναβοσβήνει η ένδειξη LED στη συστοιχία μπαταριών	Η συστοιχία μπαταριών έχει υπερθερμανθεί. (Βλ. ενότητα «ΠΡΟΣΤΑΣΙΑ ΥΠΕΡΘΕΡΜΑΝΣΗΣ ΤΗΣ ΣΥΣΤΟΙΧΙΑΣ ΜΠΑΤΑΡΙΩΝ» σε αυτό το εγχειρίδιο)	Αφαιρέστε τη συστοιχία μπαταριών από το φουσητήρα χιονιού και περιμένετε μέχρι να κρυώσει η συστοιχία μπαταριών και να φτάσει στους περίπου 67°C και, στη συνέχεια, επανεκκινήστε το φουσητήρα χιονιού.

ΠΡΟΣΤΑΣΙΑ ΥΠΕΡΦΟΡΤΩΣΗΣ ΤΟΥ ΦΥΣΗΤΗΡΑ ΧΙΟΝΙΟΥ

Ο φουσητήρας χιονιού σας διαθέτει ενσωματωμένους αισθητήρες υπερφόρτωσης. Εάν ο φουσητήρας χιονιού υπερφορτωθεί, ο κινητήρας θα μειώσει αυτόματα την ταχύτητά του και αυτό θα γίνει αντιληπτό και ακουστικά. Μειώστε το ρυθμό σας ή το πλάτος καθαρισμού και η ταχύτητα του κινητήρα θα επανέλθει αυτόματα στην κανονική ρύθμιση. Σε περίπτωση που δεν αποκατασταθεί το πρόβλημα υπερφόρτωσης, ο αισθητήρας θα απενεργοποιήσει αυτόματα τον κινητήρα, ενώ η ένδειξη LED στο φουσητήρα χιονιού θα αναβοσβήνει πορτοκαλί. Αφαιρέστε τη συστοιχία μπαταριών από το φουσητήρα χιονιού, περιμένετε 10 δευτερόλεπτα και, στη συνέχεια, ελέγξτε μήπως έχει κολλήσει χιόνι ή πάγος στον κοχλία και τη βάση. Εφόσον απαιτηθεί, ακολουθήστε τις οδηγίες της ενότητας «Καθαρισμός εμπλοκής στη χιόνι». Επανατοποθετήστε τη συστοιχία μπαταριών στο φουσητήρα χιονιού και επανεκκινήστε τον.

ΚΑΘΑΡΙΣΜΟΣ ΕΜΠΛΟΚΗΣ ΣΤΗ ΧΟΑΝΗ

⚠ ΠΡΟΕΙΔΟΠΟΙΗΣΗ: Χρησιμοποιείτε πάντοτε το εργαλείο καθαρισμού χιόνι (A-B) που βρίσκεται προσαρτημένο στη μηχανή ως εξάρτημα και μη χρησιμοποιείτε το χέρι σας

ΠΡΟΣΤΑΣΙΑ ΥΠΕΡΘΕΡΜΑΝΣΗΣ ΤΗΣ ΣΥΣΤΟΙΧΙΑΣ ΜΠΑΤΑΡΙΩΝ

Η συστοιχία μπαταριών δημιουργεί θερμότητα κατά τη διάρκεια της λειτουργίας. Η θερμότητα αποβάλλεται πιο αργά υπό θερμές καιρικές συνθήκες. Εάν η θερμοκρασία της συστοιχίας μπαταριών υπερβεί τους 70°C κατά τη διάρκεια λειτουργίας, το κύκλωμα ασφάλειας θα απενεργοποιήσει αμέσως το φουσητήρα χιονιού, ώστε να προστατεύσει τη συστοιχία μπαταριών από ζημιά λόγω θερμότητας. Η ένδειξη κατάστασης του φουσητήρα χιονιού θα σβήσει. Όσον αφορά την ένδειξη LED στη συστοιχία μπαταριών, ανατρέξτε στην ενότητα «ΠΡΟΣΤΑΣΙΑ ΜΠΑΤΑΡΙΑΣ» του εγχειριδίου χρήσης της συστοιχίας μπαταριών για περισσότερες πληροφορίες. Αποδεσμεύστε το διακόπτη εκκένωσης, περιμένετε μέχρι να κρυώσει η συστοιχία μπαταριών και να φτάσει στους περίπου 67°C και, στη συνέχεια, επανεκκινήστε το φουσητήρα χιονιού.

ΣΥΜΒΟΥΛΕΣ ΧΡΗΣΗΣ

⚠ ΚΙΝΔΥΝΟΣ: Μη χρησιμοποιήσετε ποτέ φουσητήρα χιονιού σε παγωμένη λίμνη, ποτάμι ή παρόμοιες επιφάνειες. Κίνδυνος θανάτου ή σοβαρού τραυματισμού σε περίπτωση που σπάσει ο πάγος.

⚠ ΚΙΝΔΥΝΟΣ: Μη χρησιμοποιήσετε ποτέ φουσητήρα χιονιού σε στέγη ή άλλη ασταθή επιφάνεια, γιατί αυτό μπορεί να έχει ως συνέπεια το θάνατο ή σοβαρό τραυματισμό.

GR

⚠ ΠΡΟΕΙΔΟΠΟΙΗΣΗ: Μη χρησιμοποιήσετε ποτέ φυσητήρα χιονιού σε πάγο, γιατί αυτό μπορεί να έχει ως αποτέλεσμα να γλιστρήσει ο χρήστης και πιθανώς να τραυματιστεί σοβαρά.

⚠ ΠΡΟΕΙΔΟΠΟΙΗΣΗ: Μη φοράτε φαρδιά ρούχα, φουλάρια ή κοσμήματα. Μπορούν να εγκλωβιστούν στα κινούμενα μέρη και να οδηγήσουν σε θάνατο ή σοβαρό τραυματισμό.

⚠ ΠΡΟΕΙΔΟΠΟΙΗΣΗ: Τα σημεία αποβολής του χιονιού θα πρέπει να διατηρούνται μακριά από ηλεκτρικές συσκευές, προκειμένου να ελαχιστοποιηθεί ο κίνδυνος θανάτου από ηλεκτροπληξία ή ηλεκτροπληξίας.

⚠ ΠΡΟΕΙΔΟΠΟΙΗΣΗ: Μην κατευθύνετε ποτέ το φυσητήρα χιονιού ή τη χοάνη εξαγωγής προς το μέρος ανθρώπων ή κατοικίδιων. Το χιόνι ή άλλα αντικείμενα που εκσφενδονίζονται μπορούν να προκαλέσουν σοβαρό τραυματισμό.

⚠ ΠΡΟΕΙΔΟΠΟΙΗΣΗ: Διασφαλίστε ότι η περιοχή που θα καθαριστεί είναι απαλλαγμένη από πέτρες, κλαδιά, καλώδια, χαλίκι και άλλα αντικείμενα που θα μπορούσαν κατά λάθος να εκσφενδονιστούν από το φυσητήρα χιονιού σε οποιαδήποτε κατεύθυνση, προκαλώντας σοβαρό τραυματισμό στο χειριστή και άλλα άτομα.

■ Σε περίπτωση που η μονάδα έλθει σε επαφή με κάθε είδους εμπόδιο ή βρομιά κατά τη διάρκεια της χρήσης, απενεργοποιήστε το φυσητήρα χιονιού, αφαιρέστε τη συστοιχία μπαταριών, απομακρύνετε το εμπόδιο και ελέγξτε προσεκτικά τη μονάδα για ενδεχόμενη ζημιά προτού να συνεχίσετε.

⚠ ΠΡΟΕΙΔΟΠΟΙΗΣΗ: Μη βάζετε ποτέ τα χέρια σας στη χοάνη εξαγωγής και μην τοποθετείτε κανένα μέρος του σώματός σας μπροστά στο φυσητήρα χιονιού όταν η μονάδα βρίσκεται σε λειτουργία ή είναι εγκατεστημένη η συστοιχία μπαταριών. Βεβαιώνετε πάντοτε ότι όλα τα κινούμενα μέρη έχουν ακινητοποιηθεί και έχει αφαιρεθεί η συστοιχία μπαταριών προτού να απομακρύνετε οποιαδήποτε εμπόδια. Η μη τήρηση αυτών των οδηγιών μπορεί να οδηγήσει σε σοβαρό τραυματισμό.

■ Προτού ξεκινήσετε, λαμβάνετε υπόψη την κατεύθυνση του ανέμου. Εφόσον είναι εφικτό, απομακρύνετε το χιόνι σύμφωνα με την κατεύθυνση του ανέμου, ώστε να αποφύγετε την επιστροφή του χιονιού επάνω σας λόγω ανέμου.

■ Ορισμένα μέρη του φυσητήρα χιονιού ενδέχεται να παγώσουν υπό ακραίες καιρικές συνθήκες. Μην επιχειρήσετε να χρησιμοποιήσετε τη μονάδα με παγωμένα μέρη.

- Μόλις ολοκληρώσετε την εργασία σας, αφήστε τη μονάδα να λειτουργήσει για μερικά ακόμα λεπτά, ώστε να αποφευχθεί το πάγωμα των κινούμενων εξαρτημάτων. Στη συνέχεια, γυρίστε τη χειρολαβή περιστροφής χοάνης αρκετές φορές εμπρός-πίσω για να απομακρυνθεί τυχόν συσσωρευμένος πάγος. Βεβαιωθείτε ότι έχετε καθαρίσει όλο το χιόνι και τον πάγο από τη βάση της χοάνης.
- Σε συνθήκες χιονιού και ψύχους ορισμένα στοιχεία ελέγχου και κινούμενα εξαρτήματα ενδέχεται να παγώσουν. Μην ασκείτε υπερβολικά μεγάλη δύναμη όταν προσπαθείτε να χρησιμοποιήσετε παγωμένα στοιχεία ελέγχου. Σε περίπτωση δυσκολίας κατά τη χρήση οποιουδήποτε στοιχείου ελέγχου ή μέρους, θέστε τη μηχανή σε λειτουργία σύμφωνα με την ενότητα «**ΕΝΕΡΓΟΠΟΙΗΣΗ/ΑΠΕΝΕΡΓΟΠΟΙΗΣΗ ΤΟΥ ΦΥΣΗΤΗΡΑ ΧΙΟΝΙΟΥ**» και αφήστε την να λειτουργήσει για μερικά λεπτά.

ΣΥΝΤΗΡΗΣΗ

ΓΕΝΙΚΗ ΣΥΝΤΗΡΗΣΗ

Αποφεύγετε τη χρήση διαλυτών κατά τον καθαρισμό των πλαστικών εξαρτημάτων. Τα περισσότερα πλαστικά είναι ευπαθή στη χρήση διαφόρων τύπων διαλυτών του εμπορίου και καταστρέφονται από τη χρήση τους. Χρησιμοποιήστε ένα καθαρό πανί για την απομάκρυνση βρωμιάς, σκόνης, λαδιού, γράσου, κτλ.

ΛΙΠΑΝΣΗ ΤΗΣ ΜΗΧΑΝΗΣ

Όλα τα εφεδρανα του προϊόντος έχουν λιπανθεί με επαρκή ποσότητα λιπαντικού υψηλού ιξώδους για όλη τη διάρκεια ζωής της μονάδας υπό κανονικές συνθήκες λειτουργίας. Συνεπώς, δεν απαιτείται περαιτέρω λίπανση των εφεδράνων.

ΤΟΠΟΘΕΤΗΣΗ ΚΑΙ ΡΥΘΜΙΣΗ ΤΩΝ ΠΕΛΜΑΤΩΝ ΟΛΙΣΘΗΣΗΣ

1. Αφαιρέστε τη συστοιχία μπαταριών.
2. Ξεβιδώστε και αφαιρέστε τα παξιμάδια, τις τσιμούχες και το πέλαμα ολίσθησης από τις βίδες (Εικ. G1).
3. Αντικαταστήστε το πέλαμα ολίσθησης με νέο, εφόσον απαιτηθεί.
4. Το ύψος των πελμάτων ολίσθησης μπορεί να ρυθμιστεί στις τρέχουσες συνθήκες χιονιού χωρίς να αφαιρεθούν πλήρως τα παξιμάδια. Απλά, ξεβιδώστε τα, προσαρμόστε τη θέση του πέλματος ολίσθησης και συσφίξτε τα εκ νέου (Εικ. G2).

GR

ΑΝΤΙΚΑΤΑΣΤΑΣΗ ΤΟΥ ΠΕΙΡΟΥ ΔΙΑΤΜΗΣΗΣ

Οι πείροι διάτμησης βρίσκονται στον άξονα κοχλίας (Εικ. Η1). Βοηθούν στην απορρόφηση της στιγμιαίας μέγιστης ροπής όταν ο κοχλίας συγκρούεται με εμπόδια κατά τη διάρκεια της εργασίας και προφυλάσσουν το κιβώτιο οδοντοτροχών και τον κινητήρα από ζημιά.

H-1	Άξονας κοχλίας	H-2	Πείρος διάτμησης
-----	----------------	-----	------------------

Για να αντικαταστήσετε τους πείρους διάτμησης, αφαιρέστε τη συστοιχία μπαταριών, αφαιρέστε το σπασμένο πείρο διάτμησης από τον άξονα κοχλίας και αντικαταστήστε τον με δυο νέες βίδες.

ΣΗΜΕΙΩΣΗ: Υπάρχουν δύο ακόμη πείροι διάτμησης αποθηκευμένοι πάνω στη διάταξη χοάνης. Εάν σπάσει ο αρχικός, αντικαταστήστε με νέο. (Εικ. Η2).

ΑΠΟΘΗΚΕΥΣΗ ΤΟΥ ΦΥΣΗΤΗΡΑ ΧΙΟΝΙΟΥ

⚠ ΠΡΟΣΟΧΗ: Διασφαλίστε ότι το λιωμένο χιόνι που ενδέχεται να στάξει από το φυσητήρα χιονιού θα σκουπιστεί σωστά, ώστε να αποφευχθεί ο κίνδυνος ολίσθησης και πτώσης.

- Αφαιρέστε τη συστοιχία μπαταριών και αποθηκεύστε την σε ασφαλές σημείο, μακριά από τα παιδιά.

Πριν από την αποθήκευση, σκουπίστε τυχόν υγρασία, βρομιά ή θραύσματα στην περιοχή της συστοιχίας μπαταριών.

- Σκουπίστε το φυσητήρα χιονιού με καθαρό και στεγνό πανί.
- Ελέγχετε τη σύσφιξη σε όλα τα παξιμάδια, τις βίδες, τα κουμπιά, τις βίδες, κτλ.
- Ελέγχετε τα κινούμενα μέρη για ζημιά, θραύση και φθορά. Αναθέστε την επισκευή χαλασμένων εξαρτημάτων και την αντικατάσταση μερών που λείπουν.
- Αποθηκεύετε το φυσητήρα χιονιού σε καθαρό, στεγνό, εσωτερικό χώρο, μακριά από τα παιδιά.
- Μην τον αποθηκεύετε κοντά σε διαβρωτικά υλικά, όπως λιπάσματα ή ορυκτό αλάτι.

Προστασία του περιβάλλοντος



Οι ηλεκτρικές συσκευές δεν πρέπει να απορρίπτονται ως σύμμεκτα αστικά απορρίμματα. Χρησιμοποιείτε ξεχωριστές εγκαταστάσεις συλλογής απορριμμάτων.

Επικοινωνήστε με το δήμο σας για να μάθετε πληροφορίες για τα διαθέσιμα συστήματα συλλογής.

Εάν οι ηλεκτρικές συσκευές απορριφθούν στην ύπαιθρο ή σε χωματερές, τότε είναι πιθανό να διαρρεύσουν επικίνδυνες ουσίες στα υπόγεια ύδατα, με αποτέλεσμα να περάσουν στην τροφική αλυσίδα, προκαλώντας ζημιές στην υγεία και την φυσική σας κατάσταση.

ΑΝΤΙΜΕΤΩΠΙΣΗ ΠΡΟΒΛΗΜΑΤΩΝ

⚠️ ΠΡΟΕΙΔΟΠΟΙΗΣΗ: Αφαιρείτε πάντα τη συστοιχία μπαταριών κατά τη συντήρηση ή μεταφορά του φουσητήρα χιονιού. Προφυλάσσετε πάντα τα χέρια σας με γάντια όταν διενεργείτε συντήρηση στον κοχλία ή στον αποξεστήρα του φουσητήρα χιονιού.

ΠΡΟΒΛΗΜΑ	ΑΙΤΙΑ	ΑΝΤΙΜΕΤΩΠΙΣΗ
Ο φουσητήρας χιονιού δεν εκκινείται.	<ul style="list-style-type: none"> ■ Η φόρτιση της συστοιχίας μπαταριών είναι χαμηλή. ■ Ο διακόπτης σκανδαλισμού κοχλία δεν είναι πατημένος τη στιγμή που η ένδειξη LED αναβοσβήνει πράσινη. ■ Ο κοχλίας έχει παγώσει λόγω χιονιού ή πάγου. ■ Η συστοιχία μπαταριών έχει υπερθερμανθεί. Η ένδειξη LED στη συστοιχία μπαταριών αναβοσβήνει πορτοκαλί ή ανάβει κόκκινη (βλ. ενότητα «ΠΡΟΣΤΑΣΙΑ ΥΠΕΡΘΕΡΜΑΝΣΗΣ ΤΗΣ ΣΥΣΤΟΙΧΙΑΣ ΜΠΑΤΑΡΙΩΝ» σε αυτό το εγχειρίδιο). 	<ul style="list-style-type: none"> ■ Φορτίστε τη συστοιχία μπαταριών. ■ Πιέστε το διακόπτη σκανδαλισμού κοχλία όταν αναβοσβήνει η ένδειξη. Εάν σταματήσει να αναβοσβήνει η ένδειξη LED, ο φουσητήρας χιονιού δεν θα ανταποκριθεί στην πίεση του διακόπτη σκανδαλισμού κοχλία. ■ Αρχικά, αφαιρέστε τη συστοιχία μπαταριών και, στη συνέχεια, χρησιμοποιήστε το παρεχόμενο εργαλείο καθαρισμού χιόνι για να απομακρύνετε το χιόνι ή τον πάγο που μπλοκάρει τον κοχλία. Επανεκκινήστε το φουσητήρα χιονιού. ■ Αφαιρέστε την υπερθερμασμένη συστοιχία μπαταριών από το φουσητήρα χιονιού και περιμένετε μέχρι να κρυώσει η συστοιχία μπαταριών και να φτάσει στους περίπου 67°C και, στη συνέχεια, επανεκκινήστε το φουσητήρα χιονιού.
Ο κινητήρας είναι ενεργοποιημένος αλλά ο κοχλίας δεν ενεργοποιείται.	<ul style="list-style-type: none"> ■ Ο πείρος διάτμησης έχει χαλάσει. 	<ul style="list-style-type: none"> ■ Αντικαταστήστε τον πείρο διάτμησης σύμφωνα με την ενότητα «ΑΝΤΙΚΑΤΑΣΤΑΣΗ ΤΟΥ ΠΕΙΡΟΥ ΔΙΑΤΜΗΣΗΣ» σε αυτό το εγχειρίδιο.
Ο διακόπτης φωτισμού LED δεν αντιδρά στο πρώτο πάτημα.	<ul style="list-style-type: none"> ■ Η εσωτερική διαδικασία αυτοελέγχου προκαλεί μια μικρή καθυστέρηση στην ανταπόκριση του πρώτου πατήματος πλήκτρου. 	<ul style="list-style-type: none"> ■ Πατήστε το διακόπτη φωτισμού LED και διατηρήστε τον πατημένο για 1 δευτερόλεπτο.
Η ένδειξη LED στη συστοιχία μπαταριών παραμένει αναμμένη αφού σταματήσει τη λειτουργία του ο κοχλίας του φουσητήρα χιονιού ή απενεργοποιηθεί το σύστημα αυτοκίνησης.	<ul style="list-style-type: none"> ■ Το ηλεκτρικό κύκλωμα βρίσκεται σε αναμονή για την επόμενη επανεκκίνηση. Ο φωτισμός LED θα απενεργοποιηθεί αυτόματα εάν ο φουσητήρας χιονιού δεν τεθεί σε λειτουργία μέσα σε 5 με 10 λεπτά. 	<ul style="list-style-type: none"> ■ Αποδεσμεύστε τον ή αφαιρέστε τη συστοιχία μπαταριών από τη θήκη μπαταριών.

GR

ΕΓΓΥΗΣΗ

Επισκεφθείτε την ιστοσελίδα egopowerplus.eu για όλους τους όρους και τις προϋποθέσεις της πολιτικής εγγύησης EGO.

TÜM TALIMATLARI OKUYUN!

Kullanım amacı: Araba yolları ve kaldırımlar gibi alanlardan kar temizleme.

⚠ UYARI: Bu aleti kullanmadan önce, "TEHLİKE", "UYARI" ve "DİKKAT" gibi tüm güvenlik uyarı ve sembollerini içeren bu Kullanım Kılavuzu içerisindeki tüm güvenlik talimatlarını okuyup anladığınızdan emin olun. Aşağıdaki talimatların tamamına uyulmaması elektrik çarpması, yangın ve/veya ciddi kişisel yaralanma ile sonuçlanabilir.

⚠ UYARI: Elektrikli aletlerin kullanımı yabancı nesnelere gözlerinize fırlatılması sonucunu doğurabilir, bu da gözlerde ciddi hasara yol açabilir. Elektrikli aleti kullanmaya başlamadan önce, daima göz koruması veya yan siperleri olan koruyucu gözlük takın veya gerektiğinde tam yüz siperi kullanın. Gözlük üzerine kullanım için Wide Vision Koruyucu Maske ya da yan siperleri olan standart koruyucu gözlükleri tavsiye ederiz.

GÜVENLİK SEMBOLLERİ



Güvenlik Uyarısı



Yaralanma riskini azaltmak için, kullanıcı bu ürünü kullanmadan önce kullanım kılavuzunu okuyup anlamalıdır.



ayakları ve elleri uzak tutun



Bu ürünü çalıştırırken daima göz koruması, yan siperleri olan koruyucu gözlük ya da tam yüz maskesi kullanın.



DİKKAT: Çalışan lambaya bakmayınız.



TEHLİKE - Boşaltım kanalını açmadan önce motoru kapatın. Yaralanma riskini azaltmak için ellerinizi ve ayaklarınızı döner parçalardan uzak tutun. Sadece motoru durdurduktan sonra asla elle silmeden temizlenmesi gereken tıkanmalar.



Ayakları Pervaneden Uzak Tutun



Atık elektrikli ürünler, evsel atıklar ile birlikte imha edilmemelidir. Yetkili bir geri dönüşüm merkezine teslim edilmelidir.

TR



Garanti edilen ses gücü seviyesi. Avrupa topluluğunun Direktifine göre.



Bu ürün, yürürlükteki AB yönetmeliklerine uygundur.



Doğru Akımlar



Bu ürün, yürürlükteki Birleşik Krallık yasalarına uygundur.

kg Kilogram

V Volt

IPX4 Su jetlerine karşı koruma

TEKNİK ÖZELLİKLER

Volta j	56 V	
Temizleme Geniřli ği	61cm	
Giriř Yksekli ği	51cm	
Tekerlek Boyutu	38cm	
A ğırlık	68 kg	
Tavsiye Edilen Çalıřma Sıcaklı ğı	-20°C-10°C	
Tavsiye Edilen Depolama Sıcaklı ğı	-20°C-70°C	
llen ses gc dzeyi L_{WA}	96,61 dB(A) K=1,6 dB(A)	
Operatrn duydu ğu ses gc dzeyi L_{PA}	82,5 dB(A) K=4 dB(A)	
Garanti edilen ses gc dzeyi L_{WA} (2000/14/EC uyarınca lmř)	98 dB(A)	
Titreřim de ğeri a_h :	Sol tutma sapı	0,3 m/sn ² K=1,5 m/sn ²
	Sa ğ tutma sapı	0,4 m/sn ² K=1,5 m/sn ²

AIKLAMA

KAR FLEME MAKİNESİNİZİ TANIYIN (řek. A1 ve A2)

1. Yan Korkuluk Rayı
2. PİL Blmesi Kapa ğı
3. PİL Blmesi
4. Tekerlekler
5. Kızak Pabuçları
6. LED Lambalar
7. st Kısım
8. Kanal Temizleme Aleti
9. Kar Bořaltım Kanalı
10. Kanal Deflektr
11. Arka Kol
12. LED Yan Lambalar
13. Helezon Tetik D ğmesi
14. Ana Tutma Yeri
15. Helezon Hız Kontrol Kolu
16. Gvenlik D ğmesi
17. Kendili ğinden Tahrikli Hız Kontrol Kolu
18. Kendili ğinden Tahrikli Tetik
19. Ana Tutma Yeri
20. LED Iřık D ğmesi
21. LED Gsterge

22. Kanal Dntř Kolu
23. Kanal Deflektr Kolu
24. Helezon
25. Sıyrıcı Çubuk
26. Ak Çıkarma D ğmesi
27. Elektrik Kontakları

PAKET LİSTESİ (řEK. A3) MONTAJ

TEKERLİ ĞİN MONTAJI/SKLMESİ

1. Kar fleme makinesini daha kolay montaj iin řek. B'ye gre konumlandırın.
2. Dıř contayı ve tekerlek kilitleme pimini milden skn.
3. Tekerle ği ve dıř contayı monte edin. Tekerlek kilitleme pimi ile kilitleyin.

Uyarı: Tekerlekteki okun ileri do ğru baktı ğından emin olmak iin montajdan nce tekerle ği kontrol edin (řek. B).

B-1	Dıř Conta	B-2	Tekerlek Kilitleme Pimi
-----	-----------	-----	-------------------------

KOL AKSAMININ KURULMASI

DİKKAT: Kol tertibatının, kar fleme makinesi alıřtırılmadan nce monte edilmelidir (řek.C1)

C-1	Kilitleme D ğmesi	C-2	Kol Aksamı
-----	--------------------	-----	------------

Drt kilit topuzunu gevřetin ve civataları ekerek ıkarın. Bu paraları tekrar montaj iin muhafaza edin. Boyunuzu gre konforlu bir alıřma konumu sein (řek. C2). Kol tertibatı  farklı yksekli ğe ayarlanabilir. (řek.C3 ve řek. C4 ve řek.C5)

řek. C3 st Çalıřma Konumu

řek. C4 Orta Çalıřma Konumu

řek. C5 Alt Çalıřma Konumu

KAR BOřALTIM KANALI AKSAMININ MONTAJI

UYARI: Kar fleme makinesini asla tam tahliye kanalı yerinde olmadan alıřtırmayın.

1. İ destek dire ğindeki d ğmeyi gevřetin ve civatayı skn (řek.D1). Yeniden montaj iin d ğmeyi ve civatayı saklayın.

D-1	Kar Bořaltım Kanalı	D-2	Dıř Destek Dire ği
D-3	d ğme	D-4	İ Destek Dire ği
D-5	Taban	D-6	Cıvata

TR

2. Kar boşaltım kanalı aksamını kaldırın, dış destek direğini yerine kaydırmak için dış destek direğini iç destek direğiyle hizalayın. Kar boşaltım kanalının tabana oturduğundan emin olun (Şek. D2).
3. Kar boşaltım kanalı aksamını ayrılmış düğme ve civata ile sabitleyin.
4. Sıralı kablo regülatörü ile kanal dönüş kolunun tahrik gücünü değiştirebilirsiniz. Sıralı kablo regülatörünü saat yönünün tersine hafifçe döndürerek gücü azaltabilirsiniz (Şek. D2). Buna karşılık, kol ters yönde döndürülerek güç artırabilir. Kar boşaltım kanalının çok gevşek olması halinde kullanım sırasında sağa/sola kayacağına unutmayın.

ÇALIŞMA

PİL PAKETİNİN SÖKÜLÜP TAKILMASI

İLK KULLANIMDAN ÖNCE ŞARJ EDİN.

Yalnızca şekil A4'te listelenen pil paketleri ve şarj cihazlarıyla kullanın.

NOT: En iyi performans için, iki adet 5,0 Ah EGO 56V Ark-Lityum pil veya daha yüksek kapasiteli iki EGO 56V Ark-Lityum pil ile kullanılmasını öneririz.

Kullanılmadığında, 56V pil paketleri, sıcaklığı -20°C'nin altına düşmeyeceği kapalı bir alanda saklanmalıdır. Optimum şarj sıcaklıkları 5°C ile 40°C arasındadır.

Takmak İçin

"Klik" sesi duyana kadar aküyü akü yuvasına itin. (ŞEK.E1)

Çıkarmak İçin

Akü yuvasındaki akü çıkarma düğmesine basın. (ŞEK.E2)

DİKKAT: Çalışmaya başlamadan önce kar üfleyci üzerindeki mandalın yerine oturduğundan ve pil takımının birime sabitlendiğinden emin olun.

TR

KAR ÜFLEME MAKİNESİNİN BAŞLATILMASI/ DURDURULMASI

⚠ DİKKAT: Güvenlik düğmesinin çalışmasını geçersiz kılmaya çalışmayın.

⚠ UYARI: Kar üfleme makinesini kullanılırken diğer insanların ve evcil hayvanların en az 30 m uzakta olduklarından emin olun.

⚠ UYARI: Kar üfleme makinesi kapatıldıktan sonra helezon birkaç saniye daha dönmeye devam eder. Yeniden çalıştırmadan önce helezonun dönmemesinin durmasını bekleyin.

DİKKAT: Kar üfleme makinesini hızlı bir şekilde açıp kapatmayın.

Kar Üfleme Makinesini Başlatmak İçin

1. Kol tertibatının uygun yüksekliğe güvenli bir şekilde ayarlandığından, yan deşarj oluğu tertibatının doğru monte edildiğinden, oluk ve oluk saptırıcısının uygun bir konuma ayarlandığından emin olun.
2. Pil paketlerini kar üfleme makinesine takın ve pil bölmesi kapağını kapatın.
3. **Güvenlik düğmesine (A-16)** basın ve 1 saniye basılı tutun ve **LED göstergesi (A-21)** yeşil renkte yanıp söner. LED göstergesi yanıp sönerken kar üfleme makinesini açmak için **helezon anahtarı tetikleyicisine (A-13)** basın

DİKKAT: Sadece LED göstergesi yanıp sönerken kar üfleme makinesi helezon anahtarı tetikleyicisi ile açılabilir.

DİKKAT: Pillerin sıcaklığı -20°C veya daha düşüğe kar üfleme makinesi düzgün çalışmayabilir. Kar üfleme makinesi başlamazsa, pili kar üfleme makinesinden çıkarın ve içeride 10 dakika veya daha uzun süre ısınmasını bekleyin. Pili yeniden takın ve tekrar deneyin.

Kar Üfleme Makinesini Durdurmak İçin

Burgu anahtarı tetiğini tamamen bırakın.

NOT: Otomatik Frenleme Mekanizmasındaki elektrikli fren, helezon anahtarı bırakıldıktan sonraki 3 saniye içinde helezon dönüşünü durduracaktır.

Değişken-Helezon-Hız Sistemi

Helezon hızı, fırlatma mesafesini kontrol etmek için ayarlanabilir.

Hızı artırmak azaltmak için, helezon hız kontrol kolunu (A-15) ileri/geri itin.

Değişken Hızlı Kendinden Tahrikli Sistem

Bu kar üfleme makinesi, değişken hızlı kendinden itmeli özelliği ile donatılmıştır. Helezon rotasyonundan bağımsızdır.

Kendinden tahrikli sistemi helezon dönmeden çalıştırmak için, **kendinden tahrikli tetik (A-18)** tutma yerine basın. Hızı artırmak için, **kendinden tahrikli hız kontrol kolunu (A-17)** ileri itin. Hızı düşürmek için, kendinden çalışma hız kontrol kolunu geri itin.

Kendinden çalışmayı kapatmak için, kendinden çalışma tetiğini bırakın.

Kar üfleme makinesini geriye doğru hareket ettirmek için, önce kendinden tahrik işlevini durdurun; kendinden tahrikli hız kontrol kolunu **TERSİNE** konumlandırın, sonra kendinden tahrik tetiğine basın.

DİKKAT: Kar üfleme makinesi kendinden tahrikli olarak ters çalışırken hız sabitlenir; hız kontrol kolu hızı tersine değiştiremez.

DİKKAT: Kendinden tahrikli ileri doğru hareket ederken kar üfleme makinesi geriye doğru hareket ettirilemez.

HELEZON ANAHTARI TETİKLEYİCİ VE KENDİNDEN TAHRİKLİ TETİK BAĞLANTISI

Kendinden tahrikli tetik (A-18) ve helezon anahtarı tetiği (A-13) aynı anda basıldıktan sonra helezon anahtarı tetikleyicisini serbest bırakın (sağ el), helezon anahtarı tetikleyici takılı kalır. Bu özellik, helezon dönerken helezon hızını, kendinden tahrik hızını ve karın tahliye yönünü ayarlamaya olanak tanır.

Helezonu durdurmak için, kendinden tahrikli tetiği bırakın, hem helezon hem de kendinden tahrik işlevi duracaktır.

KANAL VE DEFLEKTÖR AYARI

Kanal, karı bir alandan uzaklaştırıp başka bir yere koymanıza yardımcı olmak için boşaltılan karın yönünü ve mesafesini değiştirecek şekilde ayarlanabilir.

Kar temizleme yönü sola 100° ve sağa 100° ayarlanabilir

Kanal dönme kolunu (A-22) kanalı sola/sağa döndürmek için sola/sağa kaydırın.

Kar üfleme makinesinin atış mesafesi, kanal deflektörünün yukarı veya aşağı hareket ettirilmesiyle ayarlanır.

Karın atıldığı mesafeyi artırmak veya azaltmak için, **kanal deflektörünü (A-23)** yükseltmek veya alçaltmak için **kanal deflektörü kolunu (A-10)** ileri veya geri çekin. İstenen kanal deflektör konumuna ulaştıktan sonra, kanal deflektörü kolunu kilitleme yuvasına (F-1) takın (Şek. F).

LED YAN IŞIKLAR (A-12) VE FARLARIN (A-6) : ÇALIŞMASI

Hem yan ışıkları hem de farları açmak için LED ışık düğmesine bir kez basın.

Yan ışıkları kapatmak için LED ışık düğmesine iki kez basın.

Tüm ışıkları kapatmak için LED ışık düğmesine üç kez basın.

DİKKAT: Kar üfleme makinesi dakika içinde çalıştırılmazsa, tüm LED ışıkları otomatik olarak söner.

KAR ÜFLEME MAKİNESİNDEKİ LED GÖSTERGESİ (A-21)

Kar üfleme makinesi pil paketlerinin şarj seviyesini ve kar üfleme makinesinin çalışma durumunu gösteren bir LED gösterge ile donatılmıştır.

LED GÖSTERGE	Anlamı	Eylem
Yeşil yanıyor	Kar üfleme makinesi düzgün çalışıyor; pilin en az 15%'i dolu	yok

Yanıp sönen kırmızı	Pil bitmek üzere.	Kar üfleme makinesini durdurun ve pil paket(ler)ini şarj edin.
Kırmızı ve yeşil dönüşümlü olarak yanıp sönüyor	Hata	EGO müşteri hizmetleri ile iletişime geçin
Turuncu yanıyor	Kar üfleme makinesi aşırı ısınmadan ötürü duruyor.	Pil paketini kar üfleme makinesinden çıkarın, gölgeye götürerek en az 15 dakika soğumalarını bekleyin.
Yanıp sönen turuncu	Kar üfleme makinesine aşırı yüklendi.	Önce pil paketini çıkarın, ardından karın güvertenin altında birikip birikmediğini kontrol edin. Kar hareket ederken hızınızı düşürün. Bu işe yaramazsa lütfen EFGO müşteri hizmetleri ile iletişim kurun.
KAPALI ve LED pil yanıp sönerken	Pil aşırı ısındı. (BU kılavuzdaki "PİL YÜKSEK SICAKLIK KORUMASI" bölümüne bakın)	Pili kar üfleme makinesinden çıkarın ve pil takımı yaklaşık 67°C'ye soğuyana kadar bekleyin, ardından pili yeniden takın ve kar üfleme makinesini yeniden başlatın.

KAR ÜFLEME MAKİNESİ AŞIRI YÜK KORUMASI

Kar üfleme makinenizde yerleşik aşırı yük algılayıcı elemanlar bulunur. Kar üfleme makinesi aşırı yüklendiğinde, motor otomatik olarak hızı düşürür ve motorun hacminin azaldığını duyursunuz. Hızınızı yavaşlatın veya temizleme genişliğini daraltın, ardından motor hızı otomatik olarak normal ayarına geri dönecektir. Bu çözüm aşırı yük durumunu çözmezse, sensör motoru otomatik olarak kapatır ve kar üfleme makinesindeki LED göstergesi turuncu renkte yanıp söner. Pili takımlarını kar üfleme makinesinden çıkarın, 10 saniye bekleyin ve helezon ve güvertede kar ya da buz sıkışıp sıkışmadığını kontrol edin. Gerekirse, **"Tikalı Kanalın Açılması"** bölümündeki talimatları takip edin. Pilleri yeniden takın ve kar üfleme makinesini yeniden başlatın.

TR

TIKALI KANALIN AÇILMASI

⚠ UYARI: Her zaman makineye aksesuar olarak takılan **kanal temizleme aletini (A-8)** kullanın, elinizi kullanmayın.

PİL YÜKSEK SICAKLIK KORUMASI

Pil paketi çalışma sırasında ısınır. Isı, sıcak havada daha yavaş dağılır. Çalışma sırasında pil sıcaklığı 70°C'yi aşarsa, koruma devresi pilin ısıdan zarar görmesini önlemek için derhal kar üfleme makinesini kapatır. Kar üfleme makinesindeki durum göstergesi söner, pildeki LED hakkında ayrıntılar için pil kullanım kılavuzundaki **'PİL KORUMA'** bölümüne bakın. Aski kolunu bırakın, pilin yaklaşık 67°C'ye kadar soğumasını bekleyin ve ardından kar üfleme makinesini yeniden başlatın.

ÇALIŞMA İPUÇLARI

⚠ TEHLİKE: Donmuş göllerde, nehirlerde veya benzeri yüzeylerde asla kar üfleme makinesi kullanmayın. Buz kırılırsa ölüm veya ciddi yaralanmalar meydana gelebilir.

⚠ TEHLİKE: Kar üfleme makinesi asla çatıda veya dengesiz bir yüzeyde kullanmayın, bu ölüm veya ciddi kişisel yaralanmaya neden olabilir.

⚠ UYARI: Kar üfleme makinesini buz üzerinde kullanmayın, bu da operatörün kaymasına ve düşmesine neden olarak ciddi yaralanmalara neden olabilir.

⚠ UYARI: Bol giysiler giymeyin veya eşarp ya da takı takmayın. Hareketli parçalar sıkışabilir ve ölüme veya ciddi kişisel yaralanmalara neden olabilirler.

⚠ UYARI: Elektrik çarpması riskini azaltmak için kar boşaltımının tamamını tüm elektrikli cihazlardan uzak tutun.

⚠ UYARI: Kar üfleme makinesi veya tahliye kanalını asla insanların veya evcil hayvanların yönüne doğrultmayın. Fırlatılan kar veya diğer nesnelere ciddi kişisel yaralanmalara yol açabilir.

⚠ UYARI: Temizlenecek alanda üfleme makinesi tarafından kazara atılabilecek taş, sopa, tel, çakıl ve diğer nesnelerin bulunmadığından ve operatörün ve diğer kişilerin ciddi şekilde yaralanmasına neden olmayacağından emin olun.

■ Ünite kullanım sırasında herhangi bir engel veya kalıntı ile temas ederse, kar üfleme makinesini durdurun, pil paketlerini çıkarın, engeli kaldırın ve devam etmeden önce üniteye hasar olup olmadığını inceleyin.

⚠ UYARI: Ünite çalışırken veya pil takımları takılıken asla tahliye kanalına uzanmayın veya kar üfleme parçasının önünde herhangi bir vücut parçasını bulundurmuyun. Herhangi bir engeli gidermeden önce daima hareketli parçaların durduğundan ve pil takımının çıkarıldığından emin olun. Bu talimatlara uyulmaması ciddi

kişisel yaralanmalara yol açabilir.

- Başlamadan önce rüzgarın yönüne dikkat edin. Mümkün olduğunda, karın yüzünüze atılmasını önlemek için karı rüzgarla aynı yönde boşaltın.
- Kar üfleme makinesinin bazı kısımları aşırı hava koşullarında donabilir. Üniteyi donmuş parçalarla çalıştırmayı denemeyin.
- Tamamlandığında, hareketli parçaların donmasını önlemek için motorun birkaç dakika daha çalışmasına izin verin, ardından herhangi bir buz birikmesini önlemek için kanal dönüş kolunu birkaç kez ileri geri çevirin. Kanalın tabanındaki kar ve buzu temizlediğinizden emin olun.
- Karlı ve soğuk koşullarda, bazı kontroller ve hareketli parçalar donabilir. Donmuş kontrolleri çalıştırmaya çalışırken aşırı güç uygulamayın. Herhangi bir kontrolü veya parçayı çalıştırmakta zorluk çekiyorsanız, makineyi **"KAR ÜFLEME MAKİNESİNİ BAŞLATMA/ DURDURMA"** bölümüne bakın ve birkaç dakika çalıştırın.

BAKIM

GENEL BAKIM

Plastik parçaları temizlerken çözücü maddeler kullanmaktan kaçının. Çoğu plastik malzeme çeşitli ticari çözücü türlerinden etkilenmeye yatkındır ve bu çözücü maddelerin kullanılması durumunda zarar görebilirler. Kir, toz, yağ, gres, vb. gidermek için temiz bez kullanın.

MAKİNEİNİN YAĞLANMASI

Bu üründeki tüm rulmanlar, normal çalışma koşullarında ünitenin ömrü için yeterli miktarda yüksek kaliteli yağlayıcı ile yağlanır. Bu nedenle, daha sonra rulmanların yağlanması gerekmez.

KIZAK PABUÇLARININ DEĞİŞTİRİLMESİ VE AYARLANMASI

1. Pilleri çıkarın.
2. Somunları, contaları ve kızak pabucunu vidalardan gevşetin ve sökün (Şek.G1).
3. Gerekirse kızak pabuçlarını değiştirin.
4. Kızak pabuçlarının yüksekliği, somunları iyice çıkarmadan gerçek kar koşullarına göre ayarlanabilir, sadece gevşetin, kızak pabucu pozisyonunu ayarlayın ve ardından tekrar sıkın (Şek.G2).

KESME PİMİNİ DEĞİŞTİRME

Kesme pimleri helezon şaftında bulunur (Şek.H1). Helezon çalışma sırasında engellere çarptığında anlık durma torkunu emmeye yardımcı olur ve şanzıman ile motoru hasardan korur.

H-1	Helezon Şaftı	H-2	Kesme Pimi
-----	---------------	-----	------------

Kesme pimlerini değiştirmek için pilleri çıkarın, kırık kesme pimini helezon şaftından çıkarın ve yeni civatalarla değiştirin.

DİKKAT: Kanal düzeneği üzerinde iki ek kesme pimi saklanır, orijinal kırılmışsa yenisiyle değiştirin. (Şek.H2).

KAR ÜFLEME MAKİNESİNİN SAKLANMASI

⚠ DİKKAT: Kar üfleme makinesinden damlayabilecek tüm erimiş karların kayma ve düşme tehlikesini önlemek için düzgün bir şekilde silindiğinden emin olun.

- Pil paketlerini çıkarın ve çocukların ulaşamayacağı güvenli bir yerde saklayın.

Saklamadan önce, pil alanındaki nemi, kiri veya kalıntıları silin.

- Kar üfleme makinesini temiz ve kuru bir bezle silin.
- Tüm somun, civata, düğme, vida vb. sıklıklarını kontrol edin.
- Hareketli parçaları hasar, kırılma ve aşınma açısından inceleyin. Hasarlı veya eksik parçalarda onarım yapın.
- Kar üfleme çocukların ulaşamayacağı temiz, kuru ve kapalı bir yerde saklayın.
- Gübre veya kaya tuzu gibi aşındırıcı maddelerin yanında saklamayın.

Çevre koruması



Elektrikli cihazları ev atıklarıyla birlikte atmayın, ayrı toplama tesislerini kullanın.

Mevcut toplama sistemleri ile ilgili bilgi almak için yerel idare ile irtibata geçin.

Elektrikli cihazlar katı atık sahaları veya çöp toplama alanlarına atılırsa, yer altı sularına ve besin zincirine tehlikeli maddeler sızabilir, bu da sağlığınızın bozulmasına yol açabilir.

SORUN GİDERME

⚠ UYARI: Kar üfleme makinesini taşırken veya bakım/onarım yaparken daima aküyü çıkarın. Kar üfleme makinesinin helezon veya veya kazıyıcısı üzerinde herhangi bir bakım yaparken daima eldiven giyerek ellerinizi koruyun.

SORUN	SEBEP	ÇÖZÜM
Kar üfleme makinesi başlamıyor.	<ul style="list-style-type: none">■ Pil şarjı düşük.■ LED göstergesi yeşil yanıp söndüğü anda helezon anahtarı tetiğine basılmaz.■ Helezon kar veya buzla dondurulur.■ Pil fazla ısınmış. Pilin üzerindeki LED göstergesi turuncu renkte yanıp sönüyor veya kırmızı renkte yanıp sönüyor (bu kılavuzdaki "PİL YÜKSEK SICAKLIK KORUMASI" bölümüne bakın).	<ul style="list-style-type: none">■ Pili şarj edin.■ LED göstergesi yanıp söndüğünde helezon anahtarı tetiğine basın. LED göstergesinin yanıp sönmesi durursa, kar üfleme makinesi, helezon anahtarı tetiğine basılmasına yanıt vermeyecektir.■ Öncelikle pil takımını/takımlarını çıkarın, helezonu tıkayan kar veya buzlu temizlemek için verilen kızak temizleme aracını kullanın. Kar üfleme makinesini yeniden başlatın.■ Aşırı ısınan pili kar üfleme makinesinden çıkarın ve pil takımı yaklaşık 67°C'ye soğuyana kadar bekleyin, ardından pili yeniden takın ve kar üfleme makinesini yeniden başlatın.
Motor açık, ancak helezon açılmıyor.	<ul style="list-style-type: none">■ Kesme pimi kırılmış.	<ul style="list-style-type: none">■ Kesme pimini bu kılavuzdaki "KESME PİMİNİN DEĞİŞTİRİLMESİ" bölümüne göre değiştirin.
LED ışık düğmesi ilk basışa duyarsızdır.	<ul style="list-style-type: none">■ Dahili otomatik kontrol işlemi, ilk tuş vuruşu yanıtında hafif bir gecikmeye neden olur..	<ul style="list-style-type: none">■ LED ışık düğmesine basın ve 1 saniye basılı tutun.
Pil üzerindeki LED göstergesi kar üfleme makinesinin helezonu çalışmayı durdurduktan veya kendinden tahrikli sistem kapandıktan sonra açık kalır..	<ul style="list-style-type: none">■ Elektrik devresi bir sonraki yeniden başlatma için beklemede. Kar üfleme makinesi 5 ila 10 dakika içinde çalıştırılmazsa LED otomatik olarak kapanacaktır.	<ul style="list-style-type: none">■ Sadece bırakın veya pilleri pil bölmesinden çıkarın.

TR

GARANTİ

EGO Garanti politikasına ilişkin tüm hüküm ve koşullar için, lütfen egopowerplus.eu adresindeki web sitemizi ziyaret edin.

LUGEGE KÕIKI JUHISEID!

Sihotstarve: Lume eemaldamine aladelt nagu sissesõiduteed ja kõnniteed.

⚠ HOIATUS! Enne käesoleva seadme kasutamist lugege kindlasti läbi ja tehke endale selgeks kõik kasutusjuhendis toodud ohutusjuhised, sh kõik ohutussümbolid nagu „OHT,” „HOIATUS,” ja „ETTEVAATUST”. Kui kõiki allpool loetletud juhiseid ei järgita, võib tagajärjeks olla elektrilöök, tulekahju ja/või tõsised isikuvigastused.

⚠ HOIATUS! Mis tahes elektriliste tööriistade kasutamine võib põhjustada võõrkehade paiskumist silma, mis võib põhjustada raskeid silmakahjustusi. Kandke elektritööriistade kasutamise ajal alati kaitseprille või külgakaitsetega kaitseprille ja vajadusel täielikku näokaitset. Soovitame kanda prillide peal laia vaatealaga kaitsemaski või tavalisi külgakaitsetega kaitseprille.

OHUTUSSÜMBOLID



Ohutusteade



Vigastuste ohu vähendamiseks peab kasutaja enne toote kasutamist lugema kasutusjuhendit ja selle endale selgeks tegema.



Hoidke jalad ja käed eemal.



Kandke selle toote kasutamise ajal alati kaitseprille või külgakaitsetega kaitseprille ja täielikku näokaitset.



ETTEVAATUST! Ärge vaadake töötava tule suunas.



OHT — Enne väljalaske rennist ummistuse eemaldamist seisake mootor. Vigastuste ohu vähendamiseks hoidke käed ja jalad liikuvatest osadest eemal. Ummistuste eemaldamiseks tuleb seisata mootor ja ummistusi ei tohi kunagi eemaldada käega.



Hoidke jalad freesidest eemal.



Elektriseadmete jäätmeid ei tohi visata olmejäätmete hulka. Viige volitatud taaskäitleja juurde.



Garanteeritud helivõimsuse tase. Vastavuses Euroopa Ühenduse direktiiviga.



Toode vastab rakendatavatele EÜ direktiividele.



Alalisvool



See toode vastab asjakohastele UK seadustele.

kg

Kilogramm

V


Volti

IPX4

Kaitse veejuga eest

ET

SPETSIFIKATSIOONID

Pinge	56 V 	
Puhastusala laius	61 cm	
Sissevõtu kõrgus	51 cm	
Ratta suurus	38 cm	
Kaal	68 kg	
Soovituslik töökeskkonna temperatuur	-20°C-10°C	
Soovituslik hoiustamise temperatuur	-20°C-70°C	
Mõõdetud helivõimsuse tase L_{WA}	96,61 dB(A) K=1,6 dB(A)	
Helirõhk seadme operaatori kõrva juures L_{PA}	82,5 dB(A) K=4 dB(A)	
Garanteeritud helirõhk L_{WA} (mõõdetud vastavalt 2000/14/EÜ)	98 dB(A)	
Vibratsiooni a_h mõõtmine:	Vasakpoolne käepide	0,3 m/s ² K=1,5 m/s ²
	Parem-poolne käepide	0,4 m/s ² K=1,5 m/s ²

KIRJELDUS

TUNNE OMA LUMEPUHURIT (joon. A1 ja A2)

- Küljerelss
- Akupeska kate
- Akupeska
- Rattad
- Jalased
- LED-esituled
- Sõidulaud
- Väljalaske renni puhastamise tööriist
- Lume väljalaske renn
- Väljalaske suunaja
- Tagumine käepide
- LED-küljetuled
- Rootori päästiklüliti
- Põhikäepide
- Rootori kiiruskontrolli hoo
- Turvanupp
- Iseliikuva süsteemi kiiruskontrolli hoo
- Iseliikuva süsteemi päästik
- Põhikäepide

ET

178

56-VOLDISE LIITIUMIOONAKUGA JUHTMETA LUMEPUHUR — SNT2400E

- LED-tule lüliti
- LED-märgutuli
- Väljalaske renni pööramise käepide
- Väljalaske suunaja käepide
- Rootor
- Kaabits
- Akuvabastusnupp
- Klemmid

PAKENDI LOEND (JOON. A3)

KOKKUPANEK

RATTA PAIGALDAMINE/EEMALDAMINE

- Paigalduse lihtsustamiseks paigutage lumepuhur nii, nagu on näidatud joonisel B.
- Eemaldage völliit välimine tihend ja ratta lukustustihvt.
- Paigaldage ratas ja välimine tihend. Lukustage need ratta lukustustihvti abil.

Märkus! Enne paigaldamist kontrollige, et ratta nool on suunatud ettepoole (joon. B).

B-1	Välimine tihend	B-2	Ratta lukustustihvt
-----	-----------------	-----	---------------------

KÄEPIDEME MOODULI PAIGALDAMINE

MÄRKUS! Enne lumepuhuri kasutamist tuleb käepidemede moodul kokku panna (joon. C1).

C-1	Lukustusnupp	C-2	Käepidemede moodul
-----	--------------	-----	--------------------

Vabastage neli lukustusnuppu ja tõmmake poldid välja. Hoidke need taaskoostamise jaoks alles. Valige oma kasvule vastav töökõrgus nii, et teil on mugav töötada (joon. C2). Käepidemede moodulit saab seada kolmele erinevale kõrgusele. (joon. C3 ja joon. C4 ja joon. C5)

Ülemine tööasend (joon. C3)

Keskmine tööasend (joon. C4)

Alumine tööasend (joon. C5)

LUME VÄLJALASKE RENNI MOODULI PAIGALDAMINE

⚠ HOIATUS! Ärge kunagi kasutage lumepuhurit, kui väljalaske renn ei ole täies ulatuses paigaldatud.

- Vabastage sisemise tugiposti nupp ja eemaldage polt (joon. D1). Hoidke nupp ja polt taaskoostamise jaoks alles.

D-1	Lume väljalaske renn	D-2	Väliline tugipost
D-3	Nupp	D-4	Sisemine tugipost
D-5	Alus	D-6	Polt

- Tõstke lume väljalaske renni moodulit, joadage väliline tugipost sisemise tugipostiga ja libistage väliline tugipost paika. Veenduge, et lume väljalaske renn asub alusel (joon. D2).
- Kinnitage lume väljalaske renn vastava nupu ja poldiga.
- Sisseehitatud kaabliregulaatoriga saab muuta suunaja pööramise käepideme liigutamisejõudu. Jõu vähendamiseks tuleb keerata sisseehitatud kaabliregulaatorit veidi vastupäeva (joon. D2). Ning seda vastassuunas keerates saab jõudu suurendada. Pidage meeles, et kui lume väljalaske suunaja on liiga lahti, siis hakkab see kasutamise ajal vasakule- paremale kõikumata.

SEADME KASUTAMINE

AKUPLOKI PAIGALDAMINE/EEMALDAMINE

LAADIGE ENNE ESIMEST KASUTAMIST.

Kasutage ainult joonisel A4 esitatud akuplokkide ja laadijatega.

MÄRKUS! Parima toimimise tagamiseks soovitate kasutada kahte 5,0 Ah EGO 56 V Arc liitiumakut või kahte suurema mahutavusega EGO 56 V Arc liitiumakut.

Kui 56 V akuplokke ei kasutata, tuleb neid hoiustada suletud kohas, kus temperatuur ei lange alla -20°C. Optimaalne laadimistemperatuur jääb vahemikku 5°C kuni 40°C.

Paigaldamiseks

Lükake akuplokki akupesasse, kuni kuulete klõpsatust. (joon. E1)

Eemaldamiseks

Vajutage akupesas olevat akuvabastusnuppu. (joon. E2)

MÄRKUS! Enne töö alustamist kontrollige, et lumepuhuril olev riiv klõpsaks kohale ja akuplokkid oleks kindlalt fikseeritud asendis.

LUMEPUHURI KÄIVITAMINE/PEATAMINE

▲ ETTEVAATUST! Ärge üritage muuta turvanupu funktsiooni.

▲ HOIATUS! Lumepuhuriga töötamise ajal ei tohi vähemalt 30 m raadiuses olla loomi ega teisi inimesi.

▲ HOIATUS! Pärast lumepuhuri väljalülitamist pöörleb rootor veel mõne sekundi. Laske rootoril pöörlemine lõpetada, enne kui seadet uuesti käivitada püüate.

MÄRKUS! Ärge lülitage lumepuhurit kiiresti sisse/välja.

Lumepuhuri käivitamiseks

- Kontrollige, et käepideme moodul on kindlalt sobivale kõrgusele reguleeritud, et külväljalaske renni moodul on korrektselt paigaldatud ning et renn ja väljalaske suunaja on sobivas asendisse reguleeritud.
- Paigaldage akuplokkid lumepuhuri külge ja sulgege akupesaka kate.
- Vajutage **ohutusnuppu (A-16)** ja hoidke seda ühe sekundi jooksul all, seejärel hakkab **LED-märgutuli (A-21)** roheliselt vilkuma. LED-märgutule vilkumise ajal vajutage **rootori päästiklüliti (A-13)** ja lülitage lumepuhur sisse.

MÄRKUS! Lumepuhurit saab rootori päästiklüliti abil sisse lülitada vaid sel ajal, kui LED-märgutuli vilgub.

MÄRKUS! Kui akude temperatuur on -20°C või vähem, siis ei pruugi lumepuhur korrektselt käivituda. Kui lumepuhur ei käivitu, eemaldage aku lumepuhurist ja laske sellel siseruumides vähemalt 10 minutit soojeneda. Pange aku tagasi ja proovige uuesti.

Lumepuhuri peatamiseks

Laske rootori päästiklüliti lahti.

MÄRKUS! Automaatse pidurdusmehhanismi elektriline pidur peatab rootori pöörlemise kolme (3) sekundi jooksul pärast rootori päästiklüliti vabastamist.

Rootori kiiruse muutmise süsteem

Lume viskamise kauguse reguleerimiseks on võimalik rootori kiirust seadistada.

Kiiruse suurendamiseks/vähendamiseks lükake rootori kiiruskontrolli hooba (A-15) ettepoole/tahapoole.

Muudetava kiirusega iseveo süsteem

Lumepuhuril on muudetava kiirusega iseveo süsteem. See on rootori pöörlemisest sõltumatu.

Kui soovite kasutada iseveo süsteemi ilma rootori pöörlemiseta, vajutage **iseveo süsteemi päästikut (A-18)** käepideme poole. Kiiruse suurendamiseks liigutage **iseveo süsteemi kiiruskontrolli hooba (A-17)** ettepoole. Kiiruse vähendamiseks liigutage iseveo süsteemi kiiruskontrolli hooba tahapoole.

Iseveo süsteemi väljalülitamiseks vabastage iseveo süsteemi päästik.

Lumepuhuri tagurpidi liigutamiseks peatage esmalt iseveo süsteemi funktsioon; tõmmake iseveo süsteemi kiiruskontrolli hoob asendisse **REVERSE** (tagurdamine) ja seejärel vajutage iseveo süsteemi päästikut.

ET

MÄRKUS! Lumepuhuri kasutamisel tagurpidisel iseveo liikumisel on seadmel fikseeritud kiirus; tagurpidi liikumisel ei saa kiiruskontrolli hoova abil kiirust muuta.

MÄRKUS! Lumepuhuri liikumist ei saa lülitada tagurpidikäiku siis, kui iseveo süsteemi funktsioon seda ettepoole liigutab.

ROOTORI PÄÄSTIKLÜLITI JA ISEVEO SÜSTEEMI PÄÄSTIKU SEOS

Kui vajutada korraga **iseveo süsteemi päästikut (A-18)** ja **rootori päästiklülitit (A-13)** ning seejärel vabastada rootori päästiklülitit (paremal käel), siis jääb rootori päästiklülitit toimima. See funktsioon võimaldab reguleerida rootori kiirust, iseveo kiirust ja lume väljalaske suunda samal ajal, kui rootor pöörleb.

Rootori peatamiseks vabastage iseveo süsteemi päästik ning nii rootor kui iseveo funktsioon peatuvad.

VÄLJALASKE RENNI JA VÄLJALASKE SUUNAJA REGULEERIMINE

Renni seadistamisega saab reguleerida nii lume väljalaske suunda kui kaugust, et oleks lihtsam lund ühest alast teise liigutada.

Lume eemaldamise suunda saab reguleerida vahemikus 100° vasakule kuni 100° paremale.

Tõmmake **väljalaske renni pööramise käepidet (A-22)** vasakule/paremale, et pöörata renni vasakule/paremale.

Lumepuhuri väljalaske kaugust saab reguleerida väljalaske suunajat üles või alla liigutades.

Lume väljalaske kauguse suurendamiseks või vähendamiseks tõmmake **väljalaske suunaja käepidet (A-23)** tahapoolle või ettepoole, et **väljalaske suunajat (A-10)** tõsta või langetada. Väljalaske suunaja soovitud asendi saavutamisel lukustage väljalaske suunaja käepide vastavasse lukustusavasasse (F-1) (joon. F).

LED-KÜLJETULEDE (A-12) JA ESITULEDE (A-6) KASUTAMINE

ET

Nii külje- kui esitulede sisselülitamiseks vajutage LED-tule nuppu üks kord.

Küljetulede väljalülitamiseks vajutage LED-tule nuppu kaks korda.

Kõigi tulede väljalülitamiseks vajutage LED-tule nuppu kolm korda.

MÄRKUS! Kõik LED-tuled kustuvad automaatselt, kui lumepuhurit ei ole 5 minuti jooksul kasutatud.

LUMEPUHURI LED-MÄRGUTULI (A-21)

Lumepuhuril on LED-märgutuli, mis näitab akuplokkide laetuse taset ja lumepuhuri tööolekut.

LED-MÄRGUTULI	Tähendus	Toiming
Pölev roheline	Lumepuhur töötab korralikult; mõlemal akul on vähemalt 15% laengust alles.	N/A
Vilkuv punane	Aku on peaaegu tühi.	Seisake lumepuhur ja laadige akuplokke.
Roheline ja punane vilguvad vahelduvalt	Tõrge	Küsige abi EGO klienditeenindusest.
Pölev oranž	Lumepuhur seisub ülekuumenemise tõttu.	Eemaldage akud lumepuhurilt, viige need varju ja jahutage neid vähemalt 15 minutit.
Vilkuv oranž	Lumepuhur on ülekoormatud.	Esmalt eemaldage akuplokk, seejärel kontrollige, kas seadme alla on kogunenud lund ja vajadusel eemaldage see. Lume liigutamisel aeglustage sammu. Kui see ei toimi, võtke palun ühendust EGO klienditeenindusega.
Akul vilguvad OFF (väljas) ja RED (punane)	Aku on ülekuumenenud. (vt. käesoleva kasutusjuhendi jaotist AKU KÕRGE TEMPERATUURI KAITSE)	Eemaldage aku lumepuhurilt ja oodake kuni akuplokk jahtub umbes 67°C-ni, seejärel pange aku tagasi ja käivitage lumepuhur uuesti.

LUMEPUHURI ÜLEKOORMUSE KAITSE

Teie lumepuhuril on sisseehitatud ülekoormuse andurid. Kui lumepuhur on ülekoormatud, siis väheneb mootori kiirus automaatselt ja te kuulete, kuidas mootori võimsus väheneb. Aeglustage sammu või kitsendage lume eemaldamise ala ning mootori kiirus naaseb automaatselt tavaseadetele. Kui see ei lahenda ülekoormuse olukorda, siis lülitab andur mootori automaatselt välja ja lumepuhuri LED-märgutuli hakkab oranžilt vilkuma. Eemaldage lumepuhurilt akuplokid, oodake 10 sekundit ja kontrollige, kas rotorisse või seadmele on kogunenud lund või jääd. Vajadusel järgige juhiseid jaotises **Väljalaske renni ummistuse eemaldamine**. Pange akud tagasi ja taaskäivitage lumepuhur.

VÄLJALASKE RENNI UMMISTUSE EEMALDAMINE

⚠ HOIATUS! Kasutage alati seadme komplektis olevat **väljalaske renni puhastamise tööriista (A-8)**; ärge kunagi puhastage seda käega.

AKU KÕRGE TEMPERAATUURI KAITSE

Töö käigus toodab akuplokk soojust. Kuuma ilmaga eraldub soojus aeglasemalt. Kui aku töötemperatuur ületab 70°C, lülitab kaitsesüsteem lumepuhuri automaatselt välja, et vältida akuploki ülekuumenemisest tulenevat kahjustamist. Olekutuli lumepuhuril kustub. Täiendavat teavet aku LED-tule kohta lugege aku kasutusjuhendi jaotisest **AKU KAITSE**. Vabastage turvalüüti, oodake kuni akuplokk jahtub umbes 67°C-ni ja käivitage lumepuhur uuesti.

PRAKTILISED NÕUANDED

⚠ OHT! Ärge kunagi kasutage lumepuhurit külmunud järvedel, jõgedel või sarnastel pindadel. Jää purunemine võib põhjustada surma või tõsiseid vigastusi.

⚠ OHT! Ärge kunagi kasutage lumepuhurit katusel või muul ebastabiilsel pinnal, sest see võib põhjustada surma või tõsiseid vigastusi.

⚠ HOIATUS! Ärge kasutage lumepuhurit jääl, sest seadme kasutaja võib libiseda ja kukkuda ning see võib põhjustada tõsiseid vigastusi.

⚠ HOIATUS! Ärge kandke avaraid riideid, salle või ehteid. Need võivad liikuvate osade vahele kinni jääda ja põhjustada surma või tõsiseid vigastusi.

⚠ HOIATUS! Elektrilöögi ohu vähendamiseks jälgige, et lume väljalase ei ole suunatud elektriseadmete poole.

⚠ HOIATUS! Ärge suunake lumepuhurit ega lume väljalaske renni inimeste või loomade suunas. Lendu paiskunud lumi või esemed võivad põhjustada raskeid vigastusi.

⚠ HOIATUS! Veenduge, et puhastataval alal ei oleks kive, oksa, traate, kruusa või muid esemeid, mis võivad lumepuhurist mistahes suunas eemale paiskuda ja tekitada tõsiseid vigastusi kasutajale ning teistele isikutele.

- Kui seade puutub töötamise ajal kokku mistahes takistuse või prahiga, siis seisake lumepuhur, eemaldage akuplokid, eemaldage takistus ja enne jätkamist kontrollige hoolikalt seadme kahjustusi.

⚠ HOIATUS! Ärge kunagi pange kätt väljalaske renni ega pange mistahes kehaosa lumepuhuri ette, kui seade töötab või kui akuplokid on paigaldatud. Enne mistahes takistuste/ummistuste eemaldamist kontrollige alati, et kõik liikuvad osad on peatunud ning akuplokid on eemaldatud. Juhiste eiramine võib kaasa tuua tõsised vigastused.

- Enne alustamist uurige, millises suunas tuul puhub. Võimalusel pöörake lume väljalase tuulega samas suunas - nii ennetate lume näkku paiskumist.

- Mõned lumepuhuri osad võivad ekstreemsetes ilmastikutingimustes jäätuda. Ärge püüdke kasutada seadet, kui selle osad on jäätunud.

- Kui olete töö lõpetanud, siis laske mootoril liikuvate osade jäätumise ennetamiseks veel mõned minutid töötada. Seejärel liigutage väljalaske renni pööramise käepidet mitu korda edasi-tagasi, et eemaldada kogunenud jää. Jälgige, et eemaldate renni aluselt kogu lume ja jää.

- Lumistes ja külmades tingimustes võivad mõned juhtseadised ja liikuvad osad jäätuda. Ärge kasutage jäätunud juhtseadiste liigutamisel liigset jõudu. Kui teil on raskusi mistahes juhtseadise või osa kasutamise, siis käivitage seade nii, nagu on kirjeldatud jaotises **LUMEPUHURI KÄIVITAMINE/PEATAMINE** ja laske sellel mõne minuti jooksul töötada.

HOOLDUS

ÜLDHOOLDUS

Vältige plastosade puhastamisel lahustite kasutamist. Enamik plastmaterjalid on vastuvõtlikud müügil olevatest lahustitest tulenevatele kahjustustele. Mustuse, tolm, õli, määride jms eemaldamiseks kasutage puhast lappi.

SEADME MÄÄRIMINE

Kõik toote laagrid on määritud kvaliteetse määrdeainega, millest piisab seadme kasutuseaks tavapäraste töötingimuste korral. Seega ei ole vaja seadme laagreid rohkem määrada.

ET

JALASTE VAHETAMINE JA REGULEERIMINE

1. Eemaldage akud.
2. Vabastage ja eemaldage mutrid, seibid ja jalased kruvide küljest (joon. G1).
3. Vajadusel vahetage jalased uute vastu välja.
4. Jalaste kõrgust on võimalik reguleerida vastavalt tegelikele lumetingimustele ilma mutreid eemaldamata; keerake need lihtsalt lõdvemaks, reguleerige jalaste asendit ja seejärel keerake need jälle kinni (joon. G2).

TIHVTI VAHETAMINE

Tihvtid asuvad rootori šahtis (joon. H1). Need aitavad leevendada seisu pöördemomenti rootori kokkupuutel takistustega ning need kaitsevad käigukasti ja mootorit kahjustuste eest.

H-1	Rootori šaht	H-2	Tihvt
-----	--------------	-----	-------

Tihvti vahetamiseks eemaldage akud, eemaldage rootori šahtist katkine tihvt ja asendage see uute poltidega.

MÄRKUS! Renni moodulil on kaks lisatihvti. Kui algne tihvt on purunenud, siis asendage see uuega. (joon. H2)

LUMEPUHURI HOIUSTAMINE

⚠ ETTEVAATUST! Libisemise ja kukkumise ohu ennetamiseks jälgige, et lumepuhurist tilkuv sulav lumi korralikult ära kuivatatakse.

- Eemaldage akuplokid ja hoidke seadet kindlas, lastele kättesaamatus kohas.

Enne hoiustamist pühkige akude ala niiskusest, mustusest ja prahist puhtaks.

- Pühkige lumepuhurit õrnalt puhta kuiva lapiga.
- Kontrollige kõikide mutrite, poltide, nuppude, kruvide jne kinnituspinget.
- Kontrollige, kas liikuvad osad on kahjustunud, purunenud või kulunud. Laske kahjustunud või puuduolevad osad parandada või asendada.
- Hoiustage lumepuhurit puhtas ja kuivas suletud, lastele kättesaamatus kohas.
- Ärge hoidke seadet söövitavate materjalide (näiteks väetiste või kivisoola) läheduses.

Keskkonnakaitse



Elektriseadmeid ei tohi visata sorteerimata olmeprügi hulka; selliseid jäätmeid tuleb koguda eraldi.

Olemasolevate kogumissüsteemide kohta saate teavet kohalikest omavalitsusest.

Kui elektriseadmed maetakse maa sisse või viiakse prügimäele, võivad ohtlikud ained põhjavekke lekkida ja toiduahelasse sattuda ning teie tervist ja heaolu kahjustada.

TÖRKEOTSING

⚠ HOIATUS! Lumepuhuri hooldamise ja transportimise ajaks eemaldage alati akuplokid. Käte kaitsmiseks kandke lumepuhuri rootori või kaabitsa hooldamisel alati kindaid.

PROBLEEM	PÕHJUS	LAHENDUS
Lumepuhur ei käivitu.	<ul style="list-style-type: none"> ■ Aku laetuse tase on liiga madal. ■ Rotori päästiklülitit ei vajutatud ajal, kui LED-märgutuli vilkus roheliselt. ■ Lumi või jää on rootori jäätanud. ■ Aku on ülekoormatud. Aku LED-märgutuli vilgub oranžilt või põleb punaselt (vt. käesoleva kasutusjuhendi jaotist AKU KÕRGE TEMPERAATUURI KAITSE). 	<ul style="list-style-type: none"> ■ Laadige akut. ■ Vajutage rootori päästiklülitit siis, kui LED-märgutuli vilgub. Kui LED-märgutuli lõpetab vilkumise, siis lumepuhur ei reageeri rootori päästiklülitit vajutamisele. ■ Esmalt eemaldage akuplokid ja seejärel kasutage komplektis olevat väljalaske renni puhastamise tööriista ning eemaldage kogu rootorit takistav lumi ja jää. Taaskäivitage lumepuhur. ■ Eemaldage ülekuumenenud aku lumepuhurilt ja oodake kuni akuplokk jahtub umbes 67°C-ni, seejärel pange aku tagasi ja käivitage lumepuhur uuesti.
Mootor on sisselülitatud aga rootor ei pöörle.	<ul style="list-style-type: none"> ■ Tihvt on katki. 	<ul style="list-style-type: none"> ■ Vahetage tihvt välja, järgides juhiseid jaotises TIHVITI VAHETAMINE.
LED-tule lülitit ei reageeri esimesele vajutusele.	<ul style="list-style-type: none"> ■ Sisemine enesekontrolli protsess on tekitanud väikese viivituse esimese nupulevajutuse reaktsioonis. 	<ul style="list-style-type: none"> ■ Vajutage LED-tule lülitit ja hoidke seda all 1 sekundit.
Aku LED-märgutuli jääb põlema ka pärast lumepuhuri rootori peatumist või iverseo süsteemi väljalülitust.	<ul style="list-style-type: none"> ■ Vooluahel on järgmiseks taaskäivitamiseks ooterežiimis. LED-tuled kustuvad automaatselt, kui lumepuhurit ei ole 5-10 minuti jooksul kasutatud. 	<ul style="list-style-type: none"> ■ Jätke see nii või eemaldage akud akupesast.

GARANTII

Täielikud EGO garantitingimused leiata veebilehelt egopowerplus.eu.

ET

ПРОЧИТАЙТЕ ВСІ ІНСТРУКЦІЇ!

Призначення. Прибирання снігу в таких місцях, як проїзди і тротуари.

⚠ ПОПЕРЕДЖЕННЯ. Перш ніж користуватися цим інструментом, обов'язково ознайомтеся з усіма інструкціями з безпеки, наведеними в цьому посібнику користувача, зокрема з усіма символами попереджень, такими як «НЕБЕЗПЕКА», «ПОПЕРЕДЖЕННЯ» та «ЗАСТЕРЕЖЕННЯ». Недотримання наведених нижче вказівок може спричинити ураження електричним струмом, пожежу та/або серйозні травми.

⚠ ПОПЕРЕДЖЕННЯ. Використання будь-яких електроінструментів може призвести до потраплення сторонніх предметів в очі, що може спричинити серйозне пошкодження очей. Перед початком експлуатації електроінструмента завжди надягайте закриті захисні окуляри або відкриті захисні окуляри з бічними щитами або, якщо потрібно, повнопрофільну захисну маску. Ми рекомендуємо захисну маску широкого розміру для використання поверх окулярів або стандартні відкриті захисні окуляри з бічними щитами.

СИМВОЛИ, ЩО СТОСУЮТЬСЯ БЕЗПЕКИ



Попередження щодо безпеки



Щоб зменшити ризик травми, користувач повинен ознайомитися з інструкцією користувача перед використанням цього виробу.



тримайте ноги та руки подалі



Працюючи з цим виробом, завжди носіть закриті захисні окуляри чи відкриті захисні окуляри з бічними щитками або повнопрофільну захисну маску.



ЗАСТЕРЕЖЕННЯ. Не дивіться на лампу, що працює.



НЕБЕЗПЕКА – вимкніть мотор, перш ніж прочищати випускний жолоб. Щоб зменшити ризик травмування, тримайте руки та ноги подалі від частин, що обертаються. Засмічення слід усувати тільки після вимкнення мотора і ні в якому разі не рукою.



Тримайте ноги подалі від робочого колеса



Відходи електричних виробів не слід викидати разом із побутовим сміттям. Зверніться до авторизованого пункту переробки.

UK



Гарантований рівень звукової потужності. Згідно з директивою Європейського співтовариства.



Цей виріб відповідає чинним директивам ЄС



Постійний струм



цей продукт відповідає чинному законодавству Великої Британії.

kg Кілограм

V Вольти

IPX4 Захист від струменів води

ТЕХНІЧНІ ХАРАКТЕРИСТИКИ

Напруга	56 В	
Ширина очищення	61 см	
Висота впуску	51 см	
Розмір колеса	38 см	
Вага	68 кг	
Діапазон рекомендованих робочих температур	-20°C-10°C	
Діапазон рекомендованих температур зберігання	-20°C-70°C	
Вимірний рівень звукової потужності L_{WA}	96,61 дБ(A) K=1,6 дБ(A)	
Рівень звукового тиску на місці вуха оператора L_{PA}	82,5 дБ(A) K=4 дБ(A)	
Гарантований рівень звукової потужності L_{WA} (відповідно до стандарту 2000/14/ЕС)	98 дБ(A)	
Оцінка вібрації a_b :	Ліва ручка	0,3 м/с ² K=1.5 м/с ²
	Права ручка	0,4 м/с ² K=1.5 м/с ²

ОПИС

ОЗНАЙОМЛЕННЯ ЗІ СНІГООЧИСНИКОМ (рис. А1 і А2)

1. Бічна рейка
2. Кришка акумулятора
3. Акумуляторний відсік
4. Колеса
5. Гальмівний башмак
6. Світлодіодні фари
7. Дека
8. Інструмент для чищення жолоба
9. Сніговідвідний жолоб
10. Дефлектор жолоба
11. Задня ручка
12. Світлодіодні бічні ліхтарі
13. Важіль перемикача шнека
14. Основна ручка
15. Важіль регулювання швидкості шнека
16. Запобіжна кнопка
17. Важіль швидкості самохідної системи

18. Тригер самохідної системи
19. Основна ручка
20. Кнопка світлодіодного ліхтаря
21. Світлодіодний індикатор
22. Ручка обертання жолоба
23. Ручка дефлектора жолоба
24. Шнек
25. Шкребок
26. Кнопка звільнення батареї
27. Електричні контакти

ПАКУВАЛЬНИЙ СПИСОК (РИС. А3)

ЗБИРАННЯ

УСТАНОВЛЕННЯ/ЗНЯТТЯ КОЛЕСА

1. Установіть снігоочисник відповідно до рис. В для полегшення монтажу.
2. Зніміть зовнішню прокладку та стопорний штифт із вала.
3. Установіть колесо та зовнішню прокладку. Зафіксуйте їх стопорним штифтом.

Примітка. Перед установленням перевірте колесо, щоб переконатися, що стрілка на колесі спрямована вперед (рис. В).

В-1	Зовнішня прокладка	В-2	Стопорний штифт
-----	--------------------	-----	-----------------

УСТАНОВЛЕННЯ РУЧКИ В ЗБОРІ

ПРИМІТКА. Перед експлуатацією снігоочисника необхідно зібрати ручку (рис. С1)

С-1	Ручка блокування	С-2	Ручка в зборі
-----	------------------	-----	---------------

Ослабте чотири фіксувальні ручки та витягніть болти. Збережіть їх для повторного збирання. Виберіть зручне робоче положення відповідно до вашого зросту (рис. С2). Ручка в зборі може бути встановлена на три різних висоти. (Рис.С3, рис.С4, рис.С5)
Верхнє робоче положення як на рис. С3
Середнє робоче положення як на рис. С4
Нижнє робоче положення як на рис. С5.

УСТАНОВЛЕННЯ СНІГОВІДВІДНОГО ЖОЛОБА В ЗБОРІ

⚠ ПОПЕРЕДЖЕННЯ. Ніколи не використовуйте снігоочисник без встановленого випускного жолоба.

UK

1. Ослабте ручку на внутрішній опорі та зніміть болт (рис. D1). Збережіть ручку і болт для повторного збирання.

D-1	Сніговідвідний жолоб	D-2	Зовнішня опора
D-3	ручка	D-4	Внутрішня опора
D-5	Основа	D-6	Болт

2. Підніміть сніговідвідний жолоб у зборі, вирівняйте зовнішню опору з внутрішньою опорою, щоб засунути зовнішню опору на місце. Переконайтеся, що сніговідвідний жолоб установлений на основі (рис. D2).
3. Закріпіть сніговідвідний жолоб у зборі за допомогою ручки і болта, які ви відклали.
4. За допомогою вбудованого тросового регулятора можна змінити рушійну силу ручки обертання жолоба, ви можете зменшити зусилля, злегка повернувши вбудований тросовий регулятор проти годинникової стрілки (рис. D2). І навпаки, сила буде збільшуватися під час повороту в протилежному напрямку. Зверніть увагу, що жолоб для викидання снігу буде зміщуватися вліво/вправо під час використання, якщо він занадто ослаблений.

ЕКСПЛУАТАЦІЯ

УСТАНОВЛЕННЯ/ЗНЯТТЯ АКУМУЛЯТОРА

ЗАРЯДІТЬ ПЕРЕД ПЕРШИМ ВИКОРИСТАННЯМ.

Використовуйте лише акумулятори та зарядні пристрої, перелічені на рис. A4

ПРИМІТКА. Для забезпечення максимальної продуктивності ми рекомендуємо використовувати два акумулятори EGO 56V Arc-Lithium ємністю 5,0 А·год або два акумулятори EGO 56V Arc-Lithium більшої ємності.

Коли 56-вольтні акумулятори не використовуються, їх слід зберігати в закритому приміщенні, де температура не опуститься нижче -20°C. Оптимальна температура заряджання становить від 5°C до 40°C.

Установлення

Засуньте акумуляторну батарею в батарейний відсік, доки не почуєте «клцання». (РИС.E1)

Видалення

Натисніть кнопку звільнення батареї в батарейному відсіку. (РИС.E2)

ПРИМІТКА. Перед використанням переконайтеся, що заціпка на снігоочиснику стала на місце і акумулятор(и) надійно прикріплений(-і) до пристрою.

ЗАПУСК/ЗУПИНКА СНІГООЧИСНИКА

⚠ ЗАСТЕРЕЖЕННЯ. Не намагайтесь обійти роботу запобіжної кнопки.

⚠ ПОПЕРЕДЖЕННЯ. Переконайтеся, що інші люди та домашні тварини залишаються на відстані принаймні 30 м від снігоочисника, коли він використовується.

⚠ ПОПЕРЕДЖЕННЯ. Шнек продовжуватиме обертатись протягом кількох секунд після вимкнення снігоочисника. Дочекайтеся, доки шнек припинить обертання, перш ніж запустити його знову.

ПРИМІТКА. Не вимикайте і не вмикайте снігоочисник швидко.

Запуск снігоочисника

1. Переконайтеся, що ручка в зборі надійно відрегульована на відповідну висоту, бічний випускний жолоб установлено правильно, жолоб і дефлектор жолоба відрегульовані у відповідне положення.
2. Вставте акумуляторну батарею в снігоочисник і закрийте кришку батарейного відсіку.
3. Натисніть кнопку безпеки (A-16) і утримуйте її протягом 1 секунди, світлодіодний індикатор (A-21) блиматиме зеленим кольором. Натисніть важіль перемикача шнека (A-13), щоб увімкнути снігоочисник, поки блимає світлодіодний індикатор.

ПРИМІТКА. Снігоочисник може бути ввімкнений важелем перемикача шнека тільки тоді, коли світлодіодний індикатор блимає.

ПРИМІТКА. Снігоочисник може не запуститись належним чином, якщо температура його акумуляторів становить -20°C або нижче. Якщо снігоочисник не запускається, вийміть акумулятор зі снігоочисника та дайте йому прогрітись в приміщенні протягом 10 хвилин або довше. Встановіть акумулятор і спробуйте знову.

Вимкнення снігоочисника

Повністю відпустіть важіль перемикача шнека.

ПРИМІТКА. Електричне гальмо в механізмі автоматичного гальмування зупинить обертання шнека протягом 3 секунд після того, як перемикач шнека відпущено.

Система змінної швидкості шнека

Швидкість шнека можна регулювати для контролю відстані відкидання.

Для збільшення/зменшення швидкості натисніть важіль керування швидкістю шнека (A-15) вперед/назад.

Самохідна система зі змінною швидкістю

Снігоочисник обладнаний самохідною системою зі змінною швидкістю. Він не залежить від обертання шнека.

Щоб керувати самохідною системою без обертання шнека, натисніть тригер самохідної системи (A-18) до ручки. Щоб збільшити швидкість, перемістіть важіль керування швидкістю руху (A-17) вперед. Щоб зменшити швидкість, перемістіть важіль керування швидкістю руху назад.

Щоб вимкнути самохідну функцію, відпустіть цей тригер.

Щоб перемістити снігоочисник назад, спочатку зупиніть самохідну функцію; переведіть важіль керування швидкістю самохідної системи в положення РЕВЕРС, потім натисніть на тригер самохідної системи.

ПРИМІТКА. Швидкість є фіксованою під час руху снігоочисника заднім ходом із самохідною системою; важіль керування швидкістю не може змінювати швидкість руху заднім ходом.

ПРИМІТКА. Неможливо перемкнути снігоочисник, щоб він рухався назад, коли самохідна система рухає його вперед.

ЗВ'ЯЗУВАННЯ ТРИГЕРА ПЕРЕМИКАЧА ШНЕКА ТА ТРИГЕРА САМОХІДНОЇ СИСТЕМИ

Якщо одночасно натиснути на тригер самохідної системи (A-18) і тригер перемикача шнека (A-13) і відпустити тригер перемикача шнека (права рука), тригер перемикача шнека залишиться ввімкненим. Ця функція дає змогу регулювати швидкість шнека, швидкість самохідної системи і напрямок вивантаження снігу під час обертання шнека.

Щоб зупинити шнек, відпустіть тригер самохідної системи, і шнек та самохідна система зупиняться.

РЕГУЛЮВАННЯ ЖОЛОБА ТА ДЕФЛЕКТОРА

Жолоб можна відрегулювати, щоб змінити напрямки і відстань вивантаження снігу та допомогти вам прибрати сніг з одного місця та перемістити в інше.

Напрямок прибирання снігу можна регулювати вліво на 100° і вправо на 100°

Поверніть ручку обертання жолоба (A-22) вліво/вправо, щоб повернути жолоб вліво/вправо.

Відстань відкидання снігоочисника регулюється переміщенням дефлектора жолоби вгору або вниз.

Щоб збільшити або зменшити відстань, на яку відкидається сніг, потягніть ручку дефлектора жолоба (A-23) назад або вперед, щоб підняти або опустити дефлектор жолоба (A-10). Коли ви досягнете бажаного положення дефлектора, установіть ручку дефлектора в запірний паз (F-1) (рис. F).

ВИКОРИСТАННЯ БІЧНИХ СВІТЛОДІЮДИХ ЛІХТАРІВ (A-12) І ФАРИ (A-6)

Натисніть кнопку світлодіодного підсвічування один раз, щоб увімкнути бічні та передні ліхтарі.

Натисніть кнопку світлодіодного підсвічування двічі, щоб вимкнути бічні ліхтарі.

Натисніть кнопку світлодіодного підсвічування три рази, щоб вимкнути всі ліхтарі.

ПРИМІТКА. Усі світлодіодні ліхтарі вимикаються автоматично, якщо снігоочисник не працює протягом 5 хвилин.

СВІТЛОДІЮДИЙ ІНДИКАТОР (A-21) НА СНІГООЧИСНИКУ

Снігоочисник оснащений світлодіодним індикатором, який вказує рівень заряду акумулятора(-ів) і робочий стан снігоочисника.

СВІТЛОДІЮДИЙ ІНДИКАТОР	Значення	Дія
Світлиться зеленим	Снігоочисник працює нормально; кожен акумулятор має принаймні 15% заряду	н/з.
Блимає червоним	Акумулятор майже розряджений.	Вимкніть снігоочисник і зарядіть акумулятор(и).
Блимає зеленим і червоним поперемінно	Помилка	Зверніться до клієнтського сервісного центру EGO
Світлиться оранжевим	Снігоочисник зупиняється через перегрів.	Вийміть акумулятори зі снігоочисника, перемістіть їх у тінь і дайте їм охолонути принаймні 15 хвилин

UK

Блимаєс оран- жевим	Снігоочисник перевантаж- ений.	Спочатку вийміть акумуляторну батарею та перевірте й очистьте, якщо під декою скупчився сніг. Сповідільнюте темп під час переміщення снігу. Якщо це не допомагає, зверніться до служби підтримки клієнтів EGO.
Блимання світло- діодного індика- тора акумулятора	Перегрів акумулятора. (Див. розділ «ЗАХИСТ АКУМУЛЯТОРА ВІД ВИСОКОЇ ТЕМПЕРА- ТУРИ» в цьому посібнику)	Вийміть акумулятор зі снігоочисника та зачекайте, доки акумулятор не охолоне приблизно до 67°C, потім установіть акумулятор на місце та знову ввімкніть снігоочисник.

ЗАХИСТ СНІГООЧИСНИКА ВІД ПЕРЕВАНТАЖЕННЯ

Ваш снігоочисник має вбудовані елементи, чутливі до перевантаження. Коли снігоочисник перевантажений, мотор автоматично зменшує швидкість, і ви чуєте зменшення гучності мотора. Сповідільнюте темп або звузьте ширину очищення, після чого швидкість мотора автоматично повернеться до нормальних значень. Якщо цей спосіб не вирішує проблему перевантаження, датчик автоматично вимикає мотор, а світлодіодний індикатор на снігоочиснику блимає помаранчевим. Вийміть акумулятор(и) зі снігоочисника, зачекайте 10 секунд і перевірте, чи не забився шнек і дека снігом або льодом. Якщо необхідно, дотримуйтеся вказівок у розділі «ОЧИЩЕННЯ ЖОЛОБА». Установіть акумулятори на місце та запустіть снігоочисник.

ОЧИЩЕННЯ ЖОЛОБА

▲ ПОПЕРЕДЖЕННЯ. Завжди використовуйте інструмент для очищення жолоба (A-8), який

прикріплений до машини як аксесуар, не очищуйте рукою.

ЗАХИСТ АКУМУЛЯТОРА ВІД ВИСОКОЇ ТЕМПЕРАТУРИ

Акумуляторна батарея утворює тепло під час роботи. Тепло розсіюється повільніше в спеку. Якщо під час роботи температура акумулятора перевищить 70 °C, контур захисту негайно вимкне снігоочисник, щоб захистити акумулятор від пошкоджень. Індикатор стану снігоочисника вимкнеться, див. розділ «ЗАХИСТ АКУМУЛЯТОРА» в інструкції з експлуатації акумулятора. Відпустіть засувку, зачекайте, доки акумулятор не охолоне приблизно до 67 °C, а потім знову запустіть снігоочисник.

ПОРАДИ З ЕКСПЛУАТАЦІЇ

▲ НЕБЕЗПЕКА. Ніколи не використовуйте снігоочисник на замерзлих озерах, річках або інших подібних поверхнях. Якщо лід проламається, це може призвести до смерті або серйозної травми.

▲ НЕБЕЗПЕКА. Ніколи не використовуйте снігоочисник на даху або іншій нестійкій поверхні, це може призвести до смерті або серйозних травм.

▲ ПОПЕРЕДЖЕННЯ. Не використовуйте снігоочисник на льоду, оскільки користувач може посковзнутись і впасти, що може призвести до серйозних травм.

▲ ПОПЕРЕДЖЕННЯ. Не носіть вільного одягу, шарфів або прикрас. Вони можуть потрапити в рухомі частини та стати причиною смерті або серйозних травм.

▲ ПОПЕРЕДЖЕННЯ. Щоб уникнути ураження електричним струмом, не спрямовуйте сніг на будь-які електричні пристрої.

▲ ПОПЕРЕДЖЕННЯ. Не спрямовуйте жолоб снігоочисника на людей або домашніх тварин. Відкинутий сніг може призвести до серйозних травм.

▲ ПОПЕРЕДЖЕННЯ. Переконайтеся, що на ділянці, де ви прибираєте сніг, немає каменів, палиць, проводів, гравію та інших предметів, які можуть бути випадково відкинуті снігоочисником у будь-якому напрямку та призвести до серйозних травм користувача та інших осіб.

■ Якщо під час використання пристрій стикається з будь-якими перешкодами або сміттям, вимкніть снігоочисник, витягніть акумулятор(и), видаліть перешкоду та ретельно огляньте пристрій перед тим, як продовжити.

▲ ПОПЕРЕДЖЕННЯ. Ніколи не наближайте

UK

жодні частини тіла у випускний жолобі і не поміщайте будь-які частини тіла перед снігоочисником, коли агрегат працює або коли встановлено акумулятор(и). Завжди перевіряйте, чи всі рухомі деталі зупинені, а акумулятор(и) вилучено, перш ніж прибирати будь-які перешкоди. Недотримання цих інструкцій може призвести до серйозних травм.

- Зверніть увагу на напрямок вітру перед початком роботи. Коли це можливо, відкидайте сніг за напрямком вітру, щоб сніг не потрапляв вам в обличчя.
- Деякі частини снігоочисника можуть замерзнути в екстремальних погодних умовах. Не намагайтесь експлуатувати пристрій із замерзлими частинами.
- Після закінчення дайте мотору попрацювати ще кілька хвилин, щоб запобігти замерзанню рухомих частин, потім поверніть ручку обертання жолоба назад і вперед кілька разів, щоб звільнити його від зкупчення льоду. Обов'язково очистьте основу жолоба від снігу та льоду.
- У сніжну і холодну погоду деякі елементи керування та рухомі частини можуть замерзнути. Не застосовуйте надмірних зусиль під час роботи із замерзлими елементами керування. Якщо вам важко керувати будь-яким елементом керування або частиною, запустіть машину, як описано в розділі «ЗАПУСК/ЗУПИНКА СНІГООЧИСНИКА», і дайте йому попрацювати кілька хвилин.

ОБСЛУГОВУВАННЯ

ЗАГАЛЬНИЙ ТЕХНІЧНИЙ ДОГЛЯД

Не використовуйте розчинники для очищення пластмасових деталей. Більшість пластмас чутливі до різноманітних промислових розчинників і можуть бути ними пошкоджені. Для видалення бруду, пилу, мастила тощо користуйтеся чистою ганчіркою.

ЗМАЩУВАННЯ ІНСТРУМЕНТА

Усі підшипники в цьому виробі змащуються достатньою кількістю високоякісного мастила на весь термін служби пристрою в нормальних умовах експлуатації. Отже, додаткове змащування підшипників не потрібне.

ЗАМІНА ТА РЕГУЛЮВАННЯ ГАЛЬМІВНИХ БАШМАКІВ

1. Вийміть акумулятори.
2. Ослабте і зніміть гайки, прокладки та гальмівний башмак із гвинтів (рис. G1).
3. За необхідності замініть гальмівний башмак на новий.
4. Висота гальмівних башмаків може бути відрегульована відповідно до фактичних умов снігу без зняття гайок, просто ослабте їх, зафіксуйте положення гальмівного

башмака, а потім затягніть (рис. G2).

ЗАМІНА ЗРІЗНОГО ШТИФТА

Зрізні штифти розташовані У валу шнека (рис. H1). Вони допомагають поглинути миттєвий пусковий момент, коли шнек стикається з перешкодами під час роботи, і захищають корпус редуктора і мотор від пошкоджень.

H-1	Вал шнека	H-2	Зрізний штифт
-----	-----------	-----	---------------

Щоб замінити зрізні штифти, вийміть акумулятори, зніміть зламаний зрізний штифт із вала шнека та замініть його новими болтами.

ПРИМІТКА. Два додаткові зрізні штифти зберігаються в жолобі в зборі, замініть на новий, якщо він зламається. (Рис.H2).

ЗБЕРІГАННЯ СНІГООЧИСНИКА

⚠ ЗАСТЕРЕЖЕННЯ. Переконайтесь, що весь розталий сніг, який може капати зі снігоочисника, належним чином витерто, щоб запобігти ковзанню та падінню.

- Вийміть акумулятор(и) та зберігайте їх у безпечному місці, недоступному для дітей.

Перед зберіганням витріть вологу, бруд або сміття з області акумулятора.

- Протріть снігоочисник чистою сухою тканиною.
- Перевірте, чи затягнуто всі гайки, болти, ручки, гвинти і т. д.
- Огляньте рухомі частини на предмет пошкоджень, поломок і зносу. Виконайте ремонт будь-яких пошкоджених або відсутніх частин.
- Зберігайте снігоочисник у чистому, сухому, закритому місці, недоступному для дітей.
- Не зберігайте поруч із корозійними матеріалами, такими як добрива або кам'яна сіль.

Захист довкілля



Не викидайте електричні пристрої разом із несорттованими побутовими відходами. Використовуйте для цього пункти роздільного збирання.

Для отримання інформації стосовно наявних систем збирання відходів зверніться до органів місцевої влади.

Якщо електричний пристрій утилізується на сміттєзвалищі, небезпечні речовини можуть витікати в ґрунтові води та потрапити в харчовий ланцюг, що може зашкодити вашому здоров'ю та самопочуттю.

УСУНЕННЯ НЕСПРАВНОСТЕЙ

⚠ ПОПЕРЕДЖЕННЯ. Під час обслуговування або транспортування снігоочисника завжди виймайте акумулятор(и). Завжди захищайте руки, одягаючи рукавички під час виконання будь-якого технічного обслуговування снігоочисника, шнека або шкребка.

НЕСПРАВНІСТЬ	ПРИЧИНА	ВИРІШЕННЯ
Снігоочисник не запускається.	<ul style="list-style-type: none"> ■ Заряд акумулятора низький. ■ Тригер перемикача шнека не натиснуто в той момент, коли світлодіодний індикатор блимає зеленим. ■ Шнек замерзає від снігу або льоду. ■ Акумулятор перегрівся. Світлодіодний індикатор на акумуляторі блимає помаранчевим або світліється червоним (див. розділ «ЗАХИСТ АКУМУЛЯТОРА ВІД ВИСОКОЇ ТЕМПЕРАТУРИ» в цьому посібнику). 	<ul style="list-style-type: none"> ■ Зарядіть акумулятор. ■ Натисніть важіль перемикача шнека, коли світлодіодний індикатор блимає. Якщо світлодіодний індикатор припиняє блимати, снігоочисник не реагуватиме на натискання важеля перемикача шнека. ■ Спочатку вийміть акумулятор(и), використовуйте інструмент для очищення жолоба, що додається, щоб очистити сніг або лід, які заважають шнеку. Перезапустіть снігоочисник. ■ Вийміть перегрітий акумулятор зі снігоочисника та зачекайте, доки акумулятор не охолоне приблизно до 67°C, потім установіть акумулятор на місце та знову запустіть снігоочисник.
Мотор працює, але шнек не вмикається.	<ul style="list-style-type: none"> ■ Зрізний штифт зламаний. 	<ul style="list-style-type: none"> ■ Замініть зрізний штифт, дотримуючись вказівок у розділі «ЗАМІНА ЗРІЗНОГО ШТИФТА» в цій інструкції.
Кнопка зі світлодіодним індикатором нечутлива до першого натискання.	<ul style="list-style-type: none"> ■ Внутрішній процес самоперевірки спричиняє невелику затримку першого натискання кнопки. 	<ul style="list-style-type: none"> ■ Натисніть кнопку зі світлодіодним індикатором і утримуйте протягом 1 секунди.
Світлодіодний індикатор на акумуляторі продовжує горіти після того, як шнек снігоочисника перестає працювати або вимикається самохідна система.	<ul style="list-style-type: none"> ■ Електричне коло перебуває в режимі очікування для наступного перезапуску. Світлодіод вимикається автоматично, якщо снігоочисник не працює протягом 5–10 хвилин. 	<ul style="list-style-type: none"> ■ Просто залиште його або вийміть акумулятор із батарейного відсіку.

UK

ГАРАНТІЯ

Відвідайте веб-сайт egopowerplus.eu для отримання повного тексту умов гарантійної політики EGO.

ПРОЧЕТЕТЕ ВСИЧКИ ИНСТРУКЦИИ!

Употреба по предназначение: Почистване на сняг от площи като пътища и пътеки.

⚠ ПРЕДУПРЕЖДЕНИЕ: Уверете се, че сте прочели и осъзнали всички инструкции за безопасност в това Ръководство на оператора, включително всички известяващи символи за безопасност, като **“ОПАСНОСТ,”** **“ПРЕДУПРЕЖДЕНИЕ”** и **“ВНИМАНИЕ”** преди да използвате този инструмент. Неспазването на всички инструкции изброени долу може да доведе до електрически удар, пожар и/или сериозно нараняване.

⚠ ПРЕДУПРЕЖДЕНИЕ: Експлоатацията на всички електрически инструменти, може да доведе до изхвърляне на чужди предмети към вашите очи, което може да доведе до сериозно нараняване на очите. Преди започване на работа с електрически инструмент, винаги носете предпазни очила със странична защита или визьор за цялото лице, когато е необходимо. Ние препоръчваме предпазна маска с широк визьор за употреба над очила или стандартни предпазни очила със странична защита.

СИМВОЛИ ЗА БЕЗОПАСНОСТ



Сигнал за безопасност



За намаляване на опасността от нараняване, потребителят трябва да прочете и разбере ръководството на оператора преди използването на този продукт.



Дръжте краката и ръцете си далеч



Винаги носете предпазни очила със странична защита и предпазен екран за цялото лице, когато работите с този продукт.



ВНИМАНИЕ: Не гледайте работната лампа.



ОПАСНОСТ - Изключвайте двигателя преди да почиствате улея за разтоварване. За да намалите риска от нараняване, дръжте ръцете и краката си далеч от въртящите се части. Задръствания, които трябва да бъдат почиствани само след изключване на двигателя и никога с ръка.



Дръжте краката си далеч от импелера



Отпадъчните електрически продукти не трябва да бъдат изхвърляни заедно с домакинския отпадък. Отнесете го до упълномощено място за рециклиране.



Гарантирано ниво на мощност на звука. Съгласно директивата на Европейската общност.



Този продукт е в съответствие с приложимите директиви на ЕС

BG



Постоянен ток



Този продукт е в съответствие с приложимото законодателство на Великобритания.



Килограм



Волт



Защита срещу водни струи

СПЕЦИФИКАЦИИ

Напрежение	56 V	
Ширина на почистване	61 см	
Височина на поемане	51 см	
Размер на колелата	38 см	
Тегло	68 кг	
Препоръчителна работна температура	-20°C-10°C	
Препоръчителна температура на съхранение	-20°C-70°C	
Измерено ниво на сила на звука L_{WA}	96,61 dB(A) K=1,6 dB(A)	
Ниво на звуково налягане при ухото на оператора L_{PA}	82,5 dB(A) K=4 dB(A)	
Гарантирано ниво на сила на звука L_{WA} (измерено съгласно 2000/14/EC)	98 dB(A)	
Оценка на вибрации a_v :	Лява ръкохватка	0,3 m/s ² K=1,5 m/s ²
	Дясна ръкохватка	0,4 m/s ² K=1,5 m/s ²

ОПИСАНИЕ

ОПОЗНАЙТЕ ВАШАТА МАШИНА ЗА ПОЧИСТВАНЕ НА СНЯГ (Фиг. А1 и А2)

1. Странична релса
2. Капак на акумулаторната батерия
3. Отделение за батериите
4. Колела
5. Плъзгаща се накладка
6. LED фарове
7. Платформа
8. Инструмент за почистване на улея
9. Улей за разтоварване на сняг
10. Дефлектор на улея
11. Задна ръкохватка
12. LED странични светлини
13. Превключвателен спусък за шнека
14. Главна ръкохватка
15. Контролен лост за скоростта на шнека
16. Бутон за безопасност

BG

17. Контролен лост за скоростта на самостоятелното задвижване
18. Спусък за самостоятелно задвижване
19. Главна ръкохватка
20. Бутон на LED светлината
21. Светодиоден индикатор
22. Ръкохватка за завъртане на улея
23. Ръкохватка за дефлектора на улея
24. Шнек
25. Стъргалка
26. Бутон за освобождаване на батерията
27. Електрически контакти

ОПАКОВЪЧЕН ЛИСТ (ФИГ. А3)

МОНТАЖ

МОНТАЖ/СЧЕМАНЕ НА КОЛЕЛО

1. Позиционирайте машината за почистване на сняг съгласно Фиг. В за по-лесен монтаж.
2. Отстранете външната гарнитура и щифта за застопоряване на колелото от вала.
3. Сглобете колелото и външната гарнитура. Застопорете ги с щифта за застопоряване на колелото.

Забележете: Проверете колелото преди монтажа, за да се уверите, че стрелката на колелото е напред (Фиг. В)

B-1	Външна гарнитура	B-2	Щифт за застопоряване на колелото
-----	------------------	-----	-----------------------------------

ЗА ИНСТАЛИРАНЕ НА ВЪЗЕЛА НА РЪКОХВАТКАТА

БЕЛЕЖКА: Възелът на ръкохватката изисква сглобяване преди да работите с машината за почистване на сняг (Фиг. С1)

C-1	Фиксиращ бутон	C-2	Възел на ръкохватката
-----	----------------	-----	-----------------------

Разхлабете четирите застопоряващи бутоната и издърпайте болтовете. Запазете ги за повторно поставяне. Изберете удобна работна позиция според своята височина (Фиг.С2). Възелът на ръкохватката може да бъде настроен на три различни височини. (Фиг.С3 и Фиг.С4 и Фиг.С5)

Горна работна позиция съгласно Фиг.С3

Средна работна позиция съгласно Фиг.С4

Долна работна позиция съгласно Фиг.С5

ЗА ИНСТАЛИРАНЕ НА ВЪЗЕЛА НА УЛЕЯ ЗА РАЗТОВАРВАНЕ НА СНЯГ

⚠ ПРЕДУПРЕЖДЕНИЕ: Не работете никога с машината за почистване на сняг без напълно поставен на място улей за разтоварване на сняг.

1. Разхлабете бутон на вътрешната опорна мачта отстранете болта (Фиг. D1). Запазете бутона и болта за повторно сглобяване.

D-1	Улей за разтоварване на сняг	D-2	Външна опорна мачта
D-3	Бутон	D-4	Вътрешна опорна мачта
D-5	Основа	D-6	Болт

2. Повдигнете възела на улея за разтоварване на сняг, подравнете външната опорна мачта с вътрешната опорна мачта и плъзнете външната опорна мачта на място. Уверете се, че улеят за разтоварване на сняг е легнал върху основата (Фиг. D2).
3. Затегнете възела на улея за разтоварване на сняг със запазените бутон и болт.
4. С помощта на вградения регулатор на кабела можете да промените движещата сила на дръжката за въртене на улея, можете да намалите силата, като леко завъртите вградения регулатор на кабела обратно на часовниковата стрелка (фиг. D2). И обратно, силата ще се увеличи, като го завъртите в обратна посока. Имайте предвид, че улеят за извърляне на сняг ще се отклони наляво/надясно по време на употреба, ако е твърде хлабав.

ЕКСПЛОАТАЦИЯ

ЗА ПРИКРЕПВАНЕ/СНЕМАНЕ НА АКУМУЛАТОРНАТА БАТЕРИЯ

ЗАРЕДЕТЕ ПРЕДИ ПЪРВАТА УПОТРЕБА.

Използвайте само с акумулаторни батерии и зарядни устройства изброени на фиг. A4

БЕЛЕЖКА: За най-добра ефективност препоръчваме употребата на две батерии 5,0 Ah EGO 56V Arc-Lithium или две батерии EGO 56V Arc-Lithium с по-висок капацитет.

Когато не се използва, акумулаторните батерии 56V трябва да бъдат съхранявани в затворено помещение, в което температурата не пада под -20°C. Оптималните температури на зареждане са между 5°C и 40°C.

За да закрепите

Бутнете акумулаторната батерия в отделението на батерията, докато не чуете „щрак“. (ФИГ. E1)

За да извадите

Натиснете бутона за освобождаване на батерията в отделението на батерията. (ФИГ. E2)

БЕЛЕЖКА: Уверете се, че резето на машината за почистване на сняг щраква на мястото си и батериите са осигурени в машината преди стартиране на работа.

ПУСКАНЕ/СПИРАНЕ НА МАШИНАТА ЗА ПОЧИСТВАНЕ НА СНЯГ

⚠ ВНИМАНИЕ: Не се опитвайте да заобиколите работата на бутона за безопасност.

⚠ ПРЕДУПРЕЖДЕНИЕ: Уверете се, че други хора и домашни любимци спазват поне 30 м разстояние от машината за почистване на сняг, когато е в употреба.

⚠ ПРЕДУПРЕЖДЕНИЕ: Шнекът ще продължи да се върти за няколко секунди, след като машината за почистване на сняг е изключена. Оставете шнека да спре да се върти, преди да я стартирате отново.

БЕЛЕЖКА: Не включвайте и изключвайте бързо машината за почистване на сняг.

За стартиране на машината за почистване на сняг

1. Уверете се, че възелът на ръкохватката е сигурно регулиран на подходяща височина, страничният разтоварващ улей е монтиран правилно, улеят и дефлекторът на улея са регулирани в правилната позиция.
2. Поставете акумулаторната(ите) батерия(и) в машината за почистване на сняг и затворете капака на батериите.
3. Натиснете бутона за безопасност (A-16) и задръжте за 1 секунда и **LED индикаторът (A-21)** ще мига в зелено. Натиснете превключвателния спусък на шнека (A-13) за включване на машината за почистване на сняг, докато LED индикаторът мига

БЕЛЕЖКА: Машината за почистване на сняг може да бъде включена с превключвателния спусък на шнека, само когато LED индикаторът мига.

БЕЛЕЖКА: Машината за почистване на сняг може да не стартира правилно, ако температурата на батериите е -20°C или по-ниска. Ако машината за почистване на сняг не стартира, отстранете батерията от машината за почистване на сняг и я оставете да се затопли на закрито за 10 минути или по-продължително. Инсталирайте отново батерията и опитайте пак.

За спиране на машината за почистване на сняг

Освободете изцяло превключвателния спусък за шнека.

БЕЛЕЖКА: Електрическата спирачка, в автоматичния спирачен механизъм, ще спре въртенето на шнека в рамките на 3 секунди от освобождаването на превключвателя шнека.

Система за променлива скорост на шнека

Скоростта на шнека може да бъде регулирана за контрол на разстоянието на изхвърляне.

За увеличаване/намаляване на скоростта натиснете контролния лост за скоростта на шнека (A-15) напред/назад.

Система на самостоятелно задвижване с променлива скорост

Машината за почистване на сняг е оборудвана с възможности за променлива скорост на самостоятелната задвижваща система. Тя е независима от въртенето на шнека.

За да работите със системата без въртене на шнека, издърпайте спусъка на ръкохватката за самостоятелно задвижване (A-18). За да увеличите скоростта преместете напред лоста за управление на скоростта на самостоятелното задвижване (A-17). За да намалите скоростта преместете назад лоста за управление на скоростта на самостоятелното задвижване.

За да изключите самостоятелното задвижване, освободете спусъка за самостоятелно задвижване.

За да придвижите машината за почистване на сняг назад, първо спрете функцията самостоятелно задвижване, издърпайте контролния лост за самостоятелното задвижване в позиция НАЗАД, след което натиснете спусъка за самостоятелното задвижване.

БЕЛЕЖКА: Скоростта е фиксирана, когато работите с машината за почистване на сняг в посока назад със самостоятелно задвижване; контролният лост за скоростта не може да променя скоростта в посока назад.

БЕЛЕЖКА: Машината за почистване на сняг не може да бъде превключена да се движи назад, докато функцията на самостоятелно задвижване я придвижва напред.

ПРЕВКЛЮЧАТЕЛЕН СПУСЪК НА ШНЕКА И ЛОСТОВ МЕХАНИЗЪМ НА СПУСЪКА ЗА САМОСТОЯТЕЛНО ЗАДВИЖВАНЕ

Когато спусъкът за самостоятелното задвижване (A-18) и превключвателният спусък на шнека (A-13) са натиснати едновременно, тогава освободете превключвателния спусък на шнека (отдясно), превключвателният спусък на шнека ще остане зацепен. Функцията ви позволява да регулирате

скоростта на шнека, скоростта на самостоятелното задвижване и посоката на разтоварване на снега, докато шнекът се върти.

За да спрете шнека, отпуснете спусъка на самостоятелното задвижване, шнекът и функцията самостоятелно задвижване ще спрат.

РЕГУЛИРАНЕ НА УЛЕЯ И ДЕФЛЕКТОРА

Улеят може да бъде регулиран за промяна на посоката и разстоянието на разтоварвания сняг, за да ви подпомогне в отстраняването на снега от едно място и поставянето му на друго.

Посоката на отстраняване на снега може да бъде регулирана наляво на 100° и надясно на 100°

Издърпайте ръкохватката за завъртане на улея (A-22) наляво/надясно, за да завъртите улея наляво/надясно.

Разстоянието на изхвърляне на машината за почистване на сняг се регулира чрез преместване на дефлектора на улея нагоре или надолу.

За да увеличите или намалите разстоянието, на което се изхвърля снега, издърпайте ръкохватката на дефлектора на улея (A-23) назад или напред, за да повдигнете или спуснете дефлектора на улея (A-10). След като достигнете желаната позиция на дефлектора на улея, зацепете ръкохватката на дефлектора на улея във фиксиращия прорез (F-1) (Фиг. F).

РАБОТА НА LED СТРАНИЧНИТЕ СВЕТЛИНИ (A-12) И ФАРОВЕТЕ (A-6)

Натиснете бутона на LED светлината веднъж, за да включите страничните светлини и фаровете.

Натиснете бутона на LED светлината два пъти, за да изключите страничните светлини.

Натиснете бутона на LED светлината три пъти, за да изключите всички светлини.

БЕЛЕЖКА: Всички LED светлини ще се изключат автоматично, ако машината за почистване на сняг не работи в продължение на 5 минути.

СВЕТОДИОДЕН ИНДИКАТОР (А-21) НА МАШИНАТА ЗА ПОЧИСТВАНЕ НА СНЯГ

Машината за почистване на сняг е оборудвана с LED индикатор за да покаже състоянието на заряда в акумулаторната(ите) батерия(и) и работния статут на машината за почистване на сняг.

СВЕТОДИОДЕН ИНДИКАТОР	Значение	Действие
Светещо зелено	Машината за почистване на сняг работи правилно, всяка батерия има поне 15% заряд.	Неприложимо.
Мигащо червено	Батерията е почти изтощена.	Спрете машината за почистване на сняг и заредете акумулаторната(ите) батерия(и).
Червеното и зеленото мигат с редуване	Грешка	Свържете се с центъра за обслужване на клиенти на EGO.
Светещо оранжево	Машината за почистване на сняг спира поради прегряване.	Извадете батериите от машината за почистване на сняг, преместете ги на сянка и ги охладете поне за 15 минути.
Мигащо оранжево	Машината за почистване на сняг е претоварена.	Първо отстранете акумулаторната батерия, след това проверете и почистете, ако се събрал сняг под платформата. Забавете своята крачка, когато снегът се движи. Ако това не действа, свържете се с центъра за обслужване на клиенти на EGO.

ИЗКЛЮЧВАНЕ И LED на батерията мигат	Прегряване на батерията. (Вижте раздел „ЗАЩИТА ПРИ ВИСОКА ТЕМПЕРАТУРА НА БАТЕРИЯТА“ в това ръководство)	Отстранете батерията от машината за почистване на сняг и изчакайте, докато батерията се охлади до приблизително 67°C, след което инсталирайте отново батерията и рестартирайте машината за почистване на сняг.
-------------------------------------	---	--

ЗАЩИТА ОТ ПРЕТОВАРВАНЕ НА МАШИНАТА ЗА ПОЧИСТВАНЕ НА СНЯГ

Вашата машина за почистване на сняг има вградени сензорни елементи за защита от претоварване. Когато машината за почистване на сняг е претоварена, двигателят ще намали скоростта автоматично и ще чуе звукът от двигателя да намалява. Забавете стъпка или стеснете ширината на почистване, след което скоростта на двигателя автоматично ще се върне към своята нормална настройка. Ако тази мярка не решава ситуацията с претоварването, сензорът ще изключи двигателя автоматично и LED индикаторът на машината за почистване на сняг ще мига в оранжево. Отстранете акумулаторната(ите) батерия(и) от машината за почистване на сняг, изчакайте 10 секунди и проверете дали не е прилепнал сняг или лед в шнека и платформата. Ако е необходимо, следвайте инструкциите за „Почистване на задръстен улей“. Инсталирайте отново батериите и рестартирайте машината за почистване на сняг.

ПОЧИСТВАНЕ НА ЗАДРЪСТЕН УЛЕЙ

⚠ ПРЕДУПРЕЖДЕНИЕ: Винаги използвайте инструмента за почистване на улей (А-8), който е прикрепен към машината, не използвайте ръката си.

ЗАЩИТА НА БАТЕРИЯТА ОТ ВИСОКА ТЕМПЕРАТУРА

Батерията ще произведе топлина по време на работа. Топлината се разсейва по-бавно в горещо време. Ако температурата на батерията надвиши 70°C по време на работа, защитната верига незабавно ще изключи машината за почистване на сняг, за да предпази акумулаторната батерия от повреда от топлината. Индикаторът на статуса на машината за почистване на сняг ще изгасне, за LED а батерията вижте раздела „ЗАЩИТА НА БАТЕРИЯТА“ в ръководството за оператора на батерията за детайли. Освободете превключвателния спусък, изчакайте докато батерията се охлади до приблизително 67°C и рестартирайте машината за почистване на сняг.

СЪВЕТИ ПРИ РАБОТА

⚠ ОПАСНОСТ: Не използвайте никога машината за почистване на сняг върху замръзнали езера, реки или подобни повърхности. Може да настъпи смърт и ли сериозно нараняване, ако ледът се счупи.

⚠ ОПАСНОСТ: Не използвайте никога машината за почистване на сняг върху покриви или други нестабилни повърхности, което може да доведе до смърт или сериозно нараняване.

⚠ ПРЕДУПРЕЖДЕНИЕ: Не използвайте машината за почистване на сняг върху лед, което може да причини подхлъзване и падане на оператора с възможно сериозно нараняване.

⚠ ПРЕДУПРЕЖДЕНИЕ: Не носете широки дрехи, шалове или бижута. Те могат да бъдат захванати от движещи се части и да причинят смърт или сериозно нараняване.

⚠ ПРЕДУПРЕЖДЕНИЕ: Поддържайте разтоварването на снега насочено настрана от всички електрически устройства за намаляване на риска от удар от електрически ток.

⚠ ПРЕДУПРЕЖДЕНИЕ: Не насочвайте машината за почистване на сняг или улея за разтоварване по посока на хора или домашни любимци. Изхвърленият сняг или други предмети могат да причинят сериозно нараняване.

⚠ ПРЕДУПРЕЖДЕНИЕ: Уверете се, че площта, която трябва да бъде почиствена, без наличие на камъни, пръчки, тел, чакъл и други предмети, които биха могли да бъдат изхвърлени от машината за почистване на сняг в която и да било посока и да причинят сериозно нараняване на оператора и други хора.

■ Ако машината влезе в контакт с каквото и да било тип препятствия или отпадъци по време на употреба, спрете машината за почистване на сняг, премахнете акумулаторната(ите) батерия(и), отстранете препятствието и огледайте машината внимателно за повреда, преди да продължите.

⚠ ПРЕДУПРЕЖДЕНИЕ: Никога не посягайте в улея за разтоварване или поставяйте част от тялото си пред машината за почистване на сняг, когато тя работи или когато акумулаторната(ите) батерия(и) са инсталирани. Винаги се уверявайте, че всички движещи се части са спрели и че акумулаторната(ите) батерия(и) са отстранени, преди да почистите препятствията. Неспазването на тези инструкции може да доведе до сериозно нараняване.

■ Обърнете внимание на посоката на вятъра, преди да започнете. Когато е възможно, разтоварвайте снега в посоката на вятъра, за да предотвратите връщането на снега обратно на лицето Ви.

■ Някои части на машината за почистване на сняг може да замръзват при екстремни атмосферни условия. Не се опитвайте да работите с машината със замръзнали части.

■ Когато завършите, оставете двигателя да работи още няколко минути, за да предотвратите замръзване на движещите се части, след това завъртете ръкохватката за завъртане на улея назад и напред няколко пъти, за да я освободите от всеки натрупан лед. Уверете се, че сте почистили снега и леда от основата на улея.

■ В снежни и студени условия някои средства за управление и движещи се части могат да замръзват. Не използвайте прекомерна сила, когато се опитвате да работите със замръзнали средства за управление. Ако срещате трудност, когато работите с някое средство за управление или част, стартирайте машината като в раздел „СТАРТИРАНЕ/СПИРАНЕ НА МАШИНАТА ЗА ПОЧИСТВАНЕ НА СНЯГ“ и я оставете да работи няколко минути.

ПОДДРЪЖКА

ОБЩА ПОДДРЪЖКА

Избягвайте употребата на разтворители, когато почиствате пластмасовите части. Повечето пластмасови части са уязвими на повреда от различни видове разтворители в търговската мрежа и може да се повредят от тяхната употреба. Използвайте чиста кърпа за премахване на мръсотия, прах, масло, грес и т.н.

BG

СМАЗВАНЕ НА МАШИНАТА

Всички лагери на този продукт са смазани с достатъчно количество висококачествена смазка за целия експлоатационен живот на машината при нормални условия на работа. Поради това не е необходимо допълнително смазване на лагерите.

ЗАМЯНА И РЕГУЛИРАНЕ НА ПЛЪЗГАЩИТЕ СЕ НАКЛАДКИ

1. Отстранете батериите.
2. Разхлабете и отстранете гайките, гарнитурите и плъзгачата се накладка от винтовете (Фиг.G1).
3. Заменете плъзгачата се накладка са нова, ако е необходимо.
4. Височината на плъзгачите се накладки може да бъде регулирана според действителното състояние на снега без пълно отстраняване на гайките, само ги разхлабете, регулирайте позицията на плъзгачата се накладка и след това ги затегнете (Фиг.G2).

ЗАМЯНА НА СРЯЗВАЩИЯ СЕ ЩИФТ

Срязващите се щифтове се намират във вала на шнека (Фиг.H1). Те помагат за абсорбиране на моментно висок въртящ момент, когато шнекът се удари в препятствие по време на работа и защитават скоростната кутия и двигателя от повреда.

H-1	Вал на шнека	H-2	Срязващ се щифт
-----	--------------	-----	-----------------

За замяна на срязващите се щифтове отстранете батериите, отстранете счупения срязващ се щифт от вала на шнека и след това го заменете с нови болтове.

БЕЛЕЖКА: Два допълнителни срязващи се щифтове са съхранени във възела на улея, заменете с новия, ако оригиналният е счупен. (Фиг.H2).

СЪХРАНЯВАНЕ НА МАШИНАТА ЗА ПОЧИСТВАНЕ НА СНЯГ

⚠ ВНИМАНИЕ: Уверете се, че всичият стопен сняг, който може да капе от машината за почистване на сняг, е съответно избърсан, за да предотвратите опасност от подхлъзване и падане.

- Отстранете акумулаторната(ите) батерия(и) и ги съхранете на сигурно място извън обсега на деца.

Преди съхранение избършете всяка влага, нечистотия или отлагания от зоната на батериите.

- Избършете машината за почистване на сняг с чиста, суха кърпа.
- Проверете всички гайки, болтове, бутони, винтове и т.н. за затягане.
- Инспектирайте движещите се части за повреда, счупване и износване. Извършете ремонт на всички повредени или липсващи части.
- Съхранете машината за почистване на сняг на чисто, сухо, затворено място извън обсега на деца.
- Не я съхранявайте в близост до корозивни материали като тор или каменна сол.

Опазване на околната среда



Не изхвърляйте електрическо оборудване с общия боклук от домакинството, използвайте отделни сметосъбиращи съоръжения.

Свържете се с местните власти за информация относно наличните системи за събиране на отпадъци.

Ако се изхвърлят електрически уреди в сметища или буница, опасни вещества могат да изтекат в подпочвените води и да попаднат в хранителната верига, като увредят вашето здраве и благосъстояние.

ОТСТРАНЯВАНЕ НА ПРОБЛЕМИ

⚠ ПРЕДУПРЕЖДЕНИЕ: Винаги изваждайте батерията(ите), когато обслужвате или транспортирате машината за почистване на сняг. Винаги защитавайте ръцете си, като носите ръкавици, когато извършвате поддръжка на шнека или стъргалката на машината за почистване на сняг.

ПРОБЛЕМ	ПРИЧИНА	РЕШЕНИЕ
Машината за почистване на сняг не стартира.	<ul style="list-style-type: none"> ■ Зарядът на батерията е нисък. ■ Превключвателният спусък на шнека не е натиснат в момента, в който LED индикаторът мига в зелено. ■ Шнекът е замръзнал от сняг или лед. ■ Батерията е прегряла. LED индикаторът на батерията мига в оранжево или свети в червено (вижте раздел „ЗАЩИТА ОТ ВИСОКА ТЕМПЕРАТУРА НА БАТЕРИЯТА“ в това ръководство). 	<ul style="list-style-type: none"> ■ Заредете батерията. ■ Натиснете превключвателния спусък на шнека, когато светодиодният индикатор спре да мига, машината за почистване на сняг няма да реагира на натискането на превключвателния спусък на шнека. ■ Отстранете първо акумулаторната(ите) батерия(и), използвайте предоставения инструмент за почистване на шнека, за да почистите снега или леда, които възпрепятстват шнека. Рестартирайте машината за почистване на сняг. ■ Отстранете прегрялата батерия от машината за почистване на сняг и изчакайте, докато батерията се охлади до приблизително 67°C, след което инсталирайте отново батерията и рестартирайте машината за почистване на сняг.
Двигателят е включен, но шнекът не се върти.	<ul style="list-style-type: none"> ■ Срязващият се щифт е счупен. 	<ul style="list-style-type: none"> ■ Заменете срязващия се щифт като следвате раздела „ЗАМЯНА НА СРЯЗВАЩИЯ ЩЕ ЩИФТ“.
Бутонът на LED светлината е чувствителен при първото натискане	<ul style="list-style-type: none"> ■ Процесът на вътрешна самопроверка е причинил леко забавяне на реакцията на първото натискане на бутон. 	<ul style="list-style-type: none"> ■ Натиснете бутона на LED светлината и го задръжте за 1 секунда.
LED индикаторът на батерията продължава да е включен след като шнекът на машината е спрял да работи или системата за самостоятелно задвижване е изключена.	<ul style="list-style-type: none"> ■ Електрическата верига е в готовност за следващо рестартиране. Светодиодът ще се изключи автоматично, ако машината за почистване на сняг не е работила от 5 до 10 минути. 	<ul style="list-style-type: none"> ■ Просто я оставете или отстранете батериите от отделението за батериите.

BG

ГАРАНЦИЯ

Моля, посетете уебсайта egopowerplus.eu за пълните срокове и условия по гаранционната политика на EGO.

PROČITAJTE UPUTE U CIJELOSTI!

Namjena: Uklanjanje snijega s područja poput prilaza za vozila i nogostupa.

⚠ UPOZORENJE: Prije korištenja ovog alata, s razumijevanjem pročitajte sve sigurnosne upute u ovom priručniku za rukovatelja, uključujući sve sigurnosne simbole kao što su „**OPASNOST**“, „**UPOZORENJE**“ i „**OPREZ**“ Zanemarivanje uputa navedenih u nastavku može rezultirati električnim udarom, požarom i/ili teškim tjelesnim ozljedama.

⚠ UPOZORENJE: Rukovanje električnim alatima može rezultirati odbacivanjem stranih predmeta u oči što opet može izazvati teške ozljede očiju. Prije početka rukovanja električnim alatom nosite zaštitne naočale ili zaštitne naočale s bočnim štitnicima, a prema potrebi ili štitnik za cijelo lice. Preporučujemo nošenje sigurnosne maske proizvođača Wide Vision preko naočala ili nošenje standardnih zaštitnih naočala s bočnim štitnicima.

SIMBOLI SIGURNOSTI



Upozorenje u vezi sigurnosti



Radi smanjenja opasnosti od ozljeda, prije uporabe ovog proizvoda korisnik treba s razumijevanjem pročitati ovaj korisnički priručnik.



držite stopala u ruke podalje



Kada rukujete ovim proizvodom, nosite zatvorene zaštitne naočale ili zaštitne naočale s bočnim štitnicima i štitnik za cijelo lice.



OPREZ: Nemojte gledati u otvorenu lampu.



OPASNOST —isključite motor prije odčepeljivanja nastavka za izbacivanje snijega. Da biste smanjili rizik od ozljeda, držite ruke i noge podalje od okretnih dijelova. Začepjenja, koja treba uklanjati samo nakon isključivanja motora i nikako rukama.



Stopala držite dalje od rotora



Otpadni električni proizvodi ne smiju se odlagati s otpadom iz kućanstva. Odnosite ih u ovlašteni centar za reciklažu.



Zajamčena razina zvučne snage. U skladu je s direktivom Europske zajednice.



Ovaj proizvod je u skladu s važećom direktivom EZ



Istosmjerna struja



ovaj proizvod sukladan je važećim zakonima u UK.

kg Kilogram

V Volt

IPX4 Zaštita od mlaza vode

HR

TEHNIČKI PODACI

Napon	56 V 	
Širina čišćenja	61 cm	
Visina usisa	51 cm	
Veličina kotača	38 cm	
Težina	68 kg	
Preporučena radna temperatura	-20°C-10°C	
Preporučena temperatura skladištenja	-20°C-70°C	
Izmjerena razina zvučne snage L_{WA}	96,61 dB(A) K=1,6 dB(A)	
Razina zvučnog tlaka kod uha rukovatelja L_{PA}	82,5 dB(A) K=4 dB(A)	
Zajamčena razina zvučne snage L_{WA} (izmjereno u skladu s 2000/14/EZ)	98 dB(A)	
Procjena vibracija a_n :	Lijeva drška	0,3 m/s ² K=1,5 m/s ²
	Desna drška	0,4 m/s ² K=1,5 m/s ²

OPIS

UPOZNAJTE SE S OTPUHIVAČEM SNIJEGA (sl. A1 i A2)

- Bočna vodilica
- Poklopac baterijskog pretinca
- Baterijski pretinac
- Kotači
- Stopa
- Prednja LED svjetla
- Trup
- Alat za čišćenje kanala
- Nastavak za izbacivanje snijega
- Odbojnik kanala
- Stražnja drška
- LED bočna svjetla
- Uklopni okidač svrdla za zemlju
- Glavna drška
- Ručica za reguliranje brzine svrdla za zemlju
- Sigurnosni gumb
- Ručica za upravljanje brzinom samostalnog pogona
- Okidač samostalnog pogona
- Glavna drška
- Gumb LED svjetla

HR

200

BEŽIČNI OTPUHIVAČ SNIJEGA S 56-VOLTNOM LITIJ-IONSKOM BATERIJOM — SNT2400E

- LED indikator
- Drška za okretanje nastavka za izbacivanje
- Drška skretača nastavka za izbacivanje
- Svrdlo za zemlju
- Šipka strugača
- Gumb za oslobađanje baterije
- Električni kontakti

POPIS ZA PAKIRANJE (SL. A3) SASTAVLJANJE

MONTIRANJE/ODVAJANJE KOTAČA

- Postavite otpuhivač snijega u skladu sa Sl. B radi lakše montaže.
- Uklonite vanjsku brtvu i zatik za fiksiranje kotača iz vratila.
- Sklopote kotač i vanjsku brtvu. Fiksirajte ih zatikom za fiksiranje kotača.

Obavijest: Prije ugradnje provjerite je li strelica na kotači okrenuta naprijed (Sl. B).

B-1	Vanjska brtva	B-2	Zatik za fiksiranje kotača
-----	---------------	-----	----------------------------

UGRADNJA SKLOPA DRŠKE

OBAVIJEST: Sklop drške potrebno je sastaviti prije upotrebe otpuhivača snijega (sl. C1)

C-1	Gumb za fiksiranje	C-2	Sklop drške
-----	--------------------	-----	-------------

Otpustite četiri gumba za fiksiranje i izvucite vijke. Sačuvajte ih za ponovnu montažu. Odaberite ugodan radni položaj u skladu s vašom visinom (Sl. C2). Sklop drške može se postaviti na tri različite visine. (Sl. C3, sl. C4 i sl. C5)

Gornji radni položaj kao na sl. C3

Srednji radni položaj kao na sl. C4

Donji radni položaj kao na sl. C5

UGRADNJA SKLOPA KANALA ZA PRAŽNENJE SNIJEGA

UPOZORENJE: Nikada ne rukujte otpuhivačem za snijeg bez cijelog nastavka za izbacivanje snijeg postavljenog na mjesto.

- Otpustite gumb na unutarnjem potpornom štapu i uklonite vijak (sl. D1). Spremite gumba i vijak za kasnije ponovno sklapanje.

D-1	Nastavak za izbacivanje snijega	D-2	Vanjski potporni štap
D-3	gumb	D-4	Unutarnji potporni štap
D-5	Postolje	D-6	Vijak

- Podignite sklop nastavka za izbacivanje snijega, poravnajte vanjski potporni štap s unutarnjim i gurnite vanjski na njegovo mjesto. Pobrinite se da nastavak za izbacivanje snijega leži na svom postolju (sl. D2).
- Učvrstite sklop nastavka za izbacivanje snijega sačuvanim gumbom i vijkom.
- Regulatorom koji je ugrađen u užetu možete mijenjati silu kretanja ručice za rotaciju kanala, možete smanjiti silu laganim okretanjem regulatora u užetu ulijevo (slika D2). Suprotno tome, sila će se povećavati njegovim okretanjem u suprotnom smjeru. Zapamtite da će se kanal za izlaz snijega tijekom uporabe zanositi lijevo/desno ako je previše olabavljen.

RAD

PRIČVRŠĆIVANJE/ODVAJANJE BATERIJSKOG MODULA

NAPUNITE PRIJE PRVE UPORABE.

Upotrebljavajte samo s baterijskim modulima i punjačima koji su navedeni na sl. A4.

NAPOMENA: Za najbolji učinak, preporučujemo korištenje dvije 5.0 Ah EGO 56 V Arc-litijske baterije ili dvije EGO 56 V Arc-litijske baterije većeg kapaciteta.

Kada ne koristite uređaj, 56 V baterijske module pohranite u zatvoreno područje na kojem se temperatura ne spušta ispod -20°C. Optimalna temperatura punjenja je između 5°C i 40°C.

Postavljanje

Gurajte baterijski modul u baterijski pretinac dok ne čujete da je sjeo na mjesto. (Sl. E1)

Skidanje

Pritisnite gumb za oslobađanje baterije u baterijskom pretincu. (Sl. E2)

OBAVIJEST: Prije početka rada provjerite da je zasun na otpuhivaču snijega sjeo na mjesto te da su baterijski moduli pričvršćeni na uređaj.

POKRETANJE/ZAUSTAVLJANJE OTPUHIVAČA SNIJEGA

⚠ OPREZ: Ne pokušavajte zaobići funkciju sigurnosnog gumba.

⚠ UPOZORENJE: Druge osobe i kućne ljubimce udaljite najmanje 30 m od otpuhivača snijega kada se koristi.

⚠ UPOZORENJE: Svrdlo za zemlju će se nastaviti okretati nekoliko sekundi nakon isključivanja otpuhivača snijega. Prije ponovnog pokretanja svrdla za zemlju, pričekajte da se prestane okretati.

OBAVIJEST: Nemojte naglo isključiti pa uključiti otpuhivač snijega.

Pokretanje otpuhivača snijega

- Pobrinite se da je sklop drške sigurno prilagođen na odgovarajuću visinu, da je sklop bočnog nastavka za izbacivanje snijega pravilno montiran te da su nastavak i njegov skretač postavljeni na odgovarajuću visinu.
- Umetnite baterijski modul(e) u otpuhivač snijega i zatvorite poklopac baterijskog pretinca.
- Pritisnite **sigurnosni gumb (A-16)** i zadržite ga 1 sekundu, **LED indikator (A-21)** će treptati zeleno. Pritisnite **uklopni okidač svrdla za zemlju (A-13)** za uključivanje otpuhivača snijega kada trepće LED indikator

OBAVIJEST: Otpuhivač snijega može se uključiti uklopni okidačem svrdla za zemlju samo ako LED indikator trepće.

OBAVIJEST: Otpuhivač snijega neće se pravilno pokrenuti ako je temperatura njegovih baterija -20°C ili manja. Ako se otpuhivač snijega ne pokrene, uklonite bateriju iz otpuhivača i pričekajte 10 ili više minuta da se zagrije u zatvorenom prostoru. Vratite bateriju i pokušajte ponovno.

Zaustavljanje rada otpuhivača snijega

Do kraja otpustite uklopni okidač svrdla za zemlju.

NAPOMENA: Električna kočnica u mehanizmu automatskog kočenja zaustavit će okretanje svrdla za zemlju u roku od 3 sekunde od otpuštanja okidača svrdla za zemlju.

Sustav promjenjive brzine svrdla za zemlju

Brzina svrdla za zemlju može se prilagoditi za reguliranje udaljenosti odbacivanja.

Za povećanje/smanjenje brzine, gurnite ručicu za reguliranje brzine svrdla za zemlju (A-15) prema naprijed/unatrag.

Sustav sa samostalnim pogonom promjenjive brzine

Ovaj otpuhivač snijega opremljen je sustavom sa samostalnim pogonom promjenjive brzine. Isti radi neovisno o okretanju svrdla.

Za korištenje sustava sa samostalnim pogonom bez okretanja svrdla za zemlju, pritisnite **okidač samostalnog pogona (A-18)** prema dršci. Ako želite povećati brzinu, pomaknite **ručicu za reguliranje brzine samostalnog pogona (A-17)** prema naprijed. Ako želite smanjiti brzinu, pomaknite ručicu za reguliranje brzine samostalnog pogona unatrag.

Ako želite isključiti funkciju samostalnog pogona, otpustite pripadajući okidač.

Za pomicanje otpuhivača snijega unatrag, najprije zaustavite funkciju samostalnog pogona; povucite ručicu za reguliranje brzine samostalnog pogona u položaj **REVERSE (Unatrag)**, zatim pritisnite okidač samostalnog pogona.

OBAVIJEST: Brzina je fiksirana prilikom upotrebe otpuhivača snijega unatrag sa samostalnim pogonom; ručica za reguliranje brzine ne može mijenjati brzinu kada se koristi unatrag.

OBAVIJEST: Otpuhivač snijega ne može se prebaciti na pomicanje unatrag ako ga funkcija samostalnog pogona pomiče prema naprijed.

POVEZIVANJE UKLOPNOG OKIDAČA SVRDLA ZA ZEMlju I OKIDAČA SAMOSTALNOG POGONA

Kada istovremeno pritisnete **okidač samostalnog pogona (A-18)** i **uklopni okidač svrdla za zemlju (A-13)** pa otpustite uklopni okidač svrdla za zemlju (desna ruka), isti će ostati aktivan. Ova značajka vam omogućuje podešavanje brzine svrdla za zemlju, brzine samostalnog pogona i smjera izbacivanja snijega za vrijeme okretanja svrdla za zemlju

Ako želite zaustaviti svrdlo za zemlju, otpustite okidač samostalnog pogona, nakon čega će se zaustaviti svrdlo za zemlju i funkcija samostalnog pogona.

PODEŠAVANJE NASTAVKA ZA IZBACIVANJE I SKRETAČA

Nastavak se može prilagoditi tako da mijenja smjer i udaljenost izbačenog snijega i pomaže vam u premještanju snijega s jednog i na drugo mjesto.

Smjer uklonjanja snijega može se prilagoditi do 100° ulijevo i 100° udesno

Povucite **dršku za okretanje nastavka za izbacivanje (A-22)** ulijevo/udesno kako biste u tom smjeru okrenuli i nastavak.

Udaljenost odbacivanja otpuhivača snijega podešava se pomicanjem skretača nastavka prema gore ili dolje.

Za povećavanje i smanjenje udaljenosti odbacivanja snijega, povucite **dršku skretača nastavka za izbacivanje (A-23)** unatrag ili prema naprijed kako biste podigli ili spustili **skretač nastavka za izbacivanje (A-10)**. Kada postignete željeni položaj skretača nastavka za izbacivan-

je, aktivirajte dršku skretača nastavka za izbacivanje u utoru za zaključavanje (F-1) (sl. F).

UPOTREBA LED BOČNIH (A-12) I PREDNJIH SVJETALA (A-6)

Jednom pritisnite gumb LED svjetla kako biste uključili bočna i prednja svjetla.

Dvaput pritisnite gumb LED svjetla za isključivanje bočnih svjetala.

Triput pritisnite gumb LED svjetla za isključivanje svih svjetala.

OBAVIJEST: Sva LED svjetla automatski će se isključiti ako otpuhivač snijega ne koristite 5 minuta.

LED INDIKATOR (A-21) NA OTPUHIVAČU SNIJEGA

Otpuhivač snijega opremljen je LED indikatorom koji označava razinu napunjenosti baterijskih modula i radno stanje otpuhivača snijega.

LED INDIKATOR	Značenje	Radnja
Svijetli zeleno	Otpuhivač snijega radi ispravno; svaka baterija napunjena je najmanje na 15%.	nije dostupno.
Trepće crveno	Baterija je skoro prazna.	Zaustavite otpuhivač snijega i napunite baterijske module.
Naizmjenice trepće zeleno i crveno	Pogreška	Obratite se servisnom centru tvrtke EGO
Svijetli narančasto	Otpuhivač snijega zaustavit će se zbog pregrijavanja.	Izvadite baterije iz otpuhivača snijega, premjestite ih u hlad i pričekajte barem 15 minuta da se ohladi.
Trepće narančasto	Otpuhivač snijega je preopterećen.	Najprije uklonite baterijski modul, zatim provjerite je li se snijeg nakupio ispod trupa i uklonite ga ako jest. Usporite prilikom premještanja snijega. Ako to ne pomogne, obratite se servisnom centru tvrtke EGO.

LED INDIKATOR	Značenje	Radnja
Treptću indikatori OFF i LED na bateriji	Pregrijala se baterija. (Pogledajte odjeljak „ZAŠTITA BATERIJE OD VISOKE TEMPERATURE“ u ovom priručniku)	Uklonite bateriju iz otpuhivača snijega i pričekajte da se baterijski modul ohladi do približno 67°C, zatim ponovno ugradite bateriju i pokrenite otpuhivač snijega.

ZAŠTITA OTPUHIVAČA SNIJEGA OD PREGRIJAVANJA

Otpuhivač snijega ima ugrađene elemente za prepoznavanje preopterećenja. Kad je otpuhivač snijega preopterećen, motor će automatski smanjiti brzinu i smanjit će se glasnoća rada motora. Usporite i smanjite širinu čišćenja, nakon toga će se brzina motora automatski vratiti na normalnu postavku. Ako ovime ne riješite situaciju preopterećenja, senzor će automatski isključiti motor, a LED indikator na otpuhivaču snijega treptat će narančasto. Izvadite baterijski modul(e) iz otpuhivača snijega, pričekajte 10 sekundi i provjerite ima li snijega ili leda u svrdlu za zemlju i na trupu. Ako je potrebno, postupite prema uputama u odjeljku „Čišćenje začepljenog nastavka za izbacivanje“. Vratite baterije i ponovno pokrenite otpuhivač snijega.

ČIŠĆENJE ZAČEPLJENOG NASTAVKA ZA IZBACIVANJE

⚠ UPOZORENJE: Uvijek koristite alat za čišćenje nastavka za izbacivanje (A-8) koji je pričvršćen za stroj kao dodatak, nemojte koristiti ruke.

ZAŠTITA BATERIJE OD VISOKE TEMPERATURE

Baterijski modul stvara toplinu za vrijeme rada. Toplina se sporije odvodi za toplog vremena. Ako temperatura baterije premaši 70°C tijekom rada, zaštitni krug odmah će isključiti otpuhivač snijega kako bi zaštitio baterijski modul od toplinskog oštećenja. Indikator stanja na otpuhivaču snijega će se isključiti, u vezi LED svjetla na bateriji, više pojednosti potražite u odjeljku korisničkog priručnika „ZAŠTITA BATERIJE“. Otpustite sigurnosnu sklopku, pričekajte da se baterijski modul ohladi do približno 67°C, zatim ponovno pokrenite otpuhivač snijega.

SAVJETI ZA RAD

⚠ OPASNOST: Otpuhivač snijega nemojte koristiti na smrznutim jezerima, rijekama i sličnim površinama. Ako led pukne, može doći do smrtnih posljedica i teških ozljeda.

⚠ OPASNOST: Otpuhivač snijega nikada nemojte koristiti na krovu ili drugoj nestabilnoj površini na kojoj možete poginuti ili se teško ozlijediti.

⚠ UPOZORENJE: Otpuhivač snijega nemojte koristiti na ledu, jer se možete poskliznuti i pasti te se teško ozlijediti.

⚠ UPOZORENJE: Ne nosite široku odjeću, šalove i nakit. Oni mogu biti zahvaćeni pokretnim dijelovima i uzrokovati smrti ili teške tjelesne ozljede.

⚠ UPOZORENJE: Snijeg nemojte izbacivati u smjeru električnih uređaja kako bi se smanjila opasnost od električnog udara.

⚠ UPOZORENJE: Otpuhivač snijega i nastavak za izbacivanje nikada nemojte usmjeravati prema ljudima ili životinjama. Odbačeni snijeg i drugi predmeti mogu nanijeti teške tjelesne ozljede.

⚠ UPOZORENJE: Pobrinite se da u području koje ćete čistiti nema kamenja, štapova, žica, šljunka i drugih predmeta koje otpuhivač slučajno može odbaciti u bilo kojem smjeru i nanijeti teške tjelesne ozljede rukovatelju i drugima.

■ Ako uređaj tijekom upotrebe dođe u dodir s bilo kojom vrstom zapreke ili nečistoće, zaustavite otpuhivač, izvadite baterijski modul(e), uklonite zapreku i prije nego nastavite pažljivo pregledajte je li oštećen uređaj.

⚠ UPOZORENJE: Nikada nemojte posezati u nastavak za izbacivanje ili stavljati neki dio tijela ispred otpuhivača kada je uključen ili kada je ugrađen baterijski modul ili više njih. Prije uklanjanja zapreka, obavezno se uvjerite da su se svi pokretni dijelovi zaustavili i da je baterijski modul uklonjen. Nepostupanje u skladu s ovim uputama može uzrokovati teške tjelesne ozljede.

■ Prije početka utvrdite smjer vjetrova. Kada je to moguće, izbacujte snijeg u smjeru vjetrova kako se snijeg ne bi vraćao vama u lice.

■ Neki dijelovi otpuhivača snijega mogu se zalediti u ekstremnim vremenskim uvjetima. Nemojte pokušavati koristiti uređaj ako su njegovi dijelovi zaleđeni.

■ Po završetku, pustite da motor radi još nekoliko minuta kako se pokretni dijelovi ne bi zaledili, zatim nekoliko puta gurnite naprijed-natrag dršku za okretanje nastavka za odbacivanje kako biste izbacili naslage leda. Uklonite sav snijeg i led iz podnožja nastavka za izbacivanje.

- U snježnim u hladnim uvjetima, neki upravljački elementi i pokretni dijelovi mogli bi se zaleđiti. Nemojte koristiti preveliku silu kada pokušavate koristiti smrznute upravljačke elemente. Ako imate problema pri korištenju nekog upravljačkog elementa ili dijela, pokrenite stroj prema uputama u odjeljku „**POKRETANJE / ZAUSTAVLJANJE OTPUHIVAČA SNIJEGA**“ i ostavite ga da radi nekoliko minuta.

ODRŽAVANJE

OPĆE ODRŽAVANJE

Pri čišćenju plastičnih dijelova izbjegavajte koristiti otapala. Većina plastičnih materijala podložna je oštećenju od različitih vrsta komercijalnih otapala i mogu se oštetiti u slučaju njihovog korištenja. Za uklanjanje nečistoće, prašine, ulja, masti i sl. koristite čistu krpu.

PODMAZIVANJE STROJA

Svi ležajevi u ovom proizvodu podmazuju se dostatnom količinom maziva visoke kvalitete za koje osigurava predviđen vijek trajanja jedinice u normalnim radnim uvjetima. Stoga nije potrebno dodatno podmazivanje ležajeva.

ZAMJENA I PODEŠAVANJE STOPA

1. Uklonite baterije.
2. Otpustite i uklonite matice, brtve i stopu s vijaka (sl. G1).
3. Zamijenite stopu novom, ako je potrebno.
4. Visinu stopa možete prilagoditi ovisno o trenutnim snježnim padalinama bez potpunog uklanjanja matica, jednostavno ih otpustite, prilagodite položaj stope i ponovno pritegnite matice (sl. G2).

ZAMJENA ZATIKA ŠKARA

Zatiki škara nalaze se u vratilu svrdla za zemlju (sl. H1). Oni pomažu u apsorpiranju trenutačnog zaustavnog momenta kada svrdlo za zemlju udari u prepreke tijekom rada, a također štite mjenjač i motor od oštećenja.

H-1	Vratilo svrdla za zemlju	H-2	Zatik škara
-----	--------------------------	-----	-------------

Prije zamjene zatika škara, uklonite baterije, slomljeni zatik škara iz vratila svrdla za zemlju pa ga vratite s novim vijcima.

OPAVIJEST: Dva dodatna zatika škara pohranjena su u sklop nastavka za izbacivanje, zamijenite ih novim ako je izvorni slomljen. (Sl. H2).

SKLADIŠTENJE OTPUHIVAČA SNIJEGA

⚠ OPREZ: Pravilno prebrišite sav otopljeni snijeg koji može kapati s otpuhivača kako se ne biste poskliznuli i pali.

- Uklonite baterijski modul(e) i pohranite ga/ih na sigurnom mjestu, izvan dohvata djece.

Prije skladištenja, očistite vlagu, prljavštinu i nečistoće u području za baterije.

- Prebrišite otpuhivač snijega čistom i suhom krpom.
- Provjerite jesu li sve matice, vijci, gumbi pritegnuti.
- Provjerite jesu li pokretni dijelovi oštećeni, slomljeni ili istrošeni. Izvršite popravke na oštećenim ili dijelovima koji nedostaju.
- Pohranite otpuhivač snijega na čistom, suhom i zatvorenom mjestu izvan dohvata djece.
- Nemojte ga pohraniti blizu korozivnih materijala kao što su gnojiva ili kamena sol.

Zaštita okoliša



Električne uređaje nemojte zbrinjavati s nerazvrstanim komunalnim otpadom, koristite posebne spremnike.

Informacije o dostupnim sustavima prikupljanja otpada za recikliranje potražite u lokalnom komunalnom poduzeću.

Ako se električni uređaji odlažu na odlagališta otpada ili deponije, opasne tvari mogu isteći u podzemne vode i dospjeti u lanac ishrane, nanoseći tako štetu vašem zdravlju i blagostanju.

OTKLANJANJE SMETNJI

⚠ UPOZORENJE: Izvadite baterijske module prije servisiranja ili transporta otpuhivača snijega. Pri obavljanju bilo kakvih radova na održavanju svrdla za zemlju ili strugača na otpuhivaču snijega, zaštitite ruke rukavicama.

PROBLEM	UZROK	RJEŠENJE
Otpuhivač snijega se ne pokreće.	<ul style="list-style-type: none"> ■ Baterije je slaba. ■ Uklopni okidač svrdla za zemlju nije pritisnut kada LED indikator trepće zeleno. ■ Svrdlo za zemlju se zaledilo djelovanjem u snijegu ili ledu. ■ Baterija se pregrijala. LED indikator na bateriji trepće narančasto ili svijetli crveno (pogledajte odjeljak „ZAŠTITA BATERIJE OD VISOKE TEMPERATURE“ u ovom priručniku). 	<ul style="list-style-type: none"> ■ Napunite bateriju. ■ Pritisnite uklopni okidač svrdla za zemlju kada LED indikator trepće. Ako LED indikator prestane treptati, otpuhivač snijega neće reagirati na pritisak uklopnog okidača svrdla za zemlju. ■ Najprije uklonite baterijski modul(e), koristeći isporučeni alat za čišćenje nastavka za izbacivanje očistite snijeg ili led koji ometa rad svrdla. Ponovno pokrenite otpuhivač snijega. ■ Uklonite pregrijanu bateriju iz otpuhivača snijega i pričekajte da se baterijski modul ohladi do približno 67°C, zatim ponovno ugradite bateriju i pokrenite otpuhivač snijega.
Motor je uključen, ali svrdlo za zemlju se ne okreće.	<ul style="list-style-type: none"> ■ Zatik škara je slomljen. 	<ul style="list-style-type: none"> ■ Zamijenite zatik škara prema uputama iz odjeljka "ZAMJENA ZATIKA ŠKARA" u ovom priručniku.
Gumb LED svjetla ne reagira na prvi pritisak.	<ul style="list-style-type: none"> ■ Unutarnji postupak samoprovjere uzrokovao je lagano kašnjenje pri pritisku prve tipke. 	<ul style="list-style-type: none"> ■ Pritisnite gumb LED svjetla i držite ga 1 sekundu.
LED indikator na bateriji svijetli nakon zaustavljanja svrdla za zemlju na otpuhivaču snijega ili isključivanja sustava sa samostalnim pogonom.	<ul style="list-style-type: none"> ■ Električni krug je u stanju mirovanja prije sljedećeg ponovnog pokretanja. LED će se automatski isključiti ako se otpuhivač snijega ne koristi tijekom 5 do 10 minuta. 	<ul style="list-style-type: none"> ■ Ostavite ga ili uklonite baterije iz pretinca.

JAMSTVO

Cjelokupne uvjete i odredbe jamstvene politike proizvođača EGO potražite na internetskoj stranici egopowerplus.eu.

სრულად გაეცანით ინსტრუქციას!

მიზნობრივი გამოყენება: თოვლის მოშორება მანქანისა და ფეხით სავალი სივრცეებიდან.

⚠ გაფრთხილება: ხელსაწყოს გამოყენებამდე დაწვრილებით გაეცანით და შეისწავლეთ ყველა უსაფრთხოების წესი ოპერატორის ამ ინსტრუქციაში, მათ შორის ყველა უსაფრთხოების წესის სიმბოლო როგორცაა „საშიშროება“, „გაფრთხილება“ და „ყურადღება“. ქვემოთ ჩამოთვლილი ყველა ინსტრუქციის უგულვებელყოფამ შესაძლოა გამოიწვიოს ელექტრო შოკი, ხანძარი და/ან მოგაყენოთ სხეულის სერიოზული ტრავმა.

⚠ გაფრთხილება: ელექტრო ხელსაწყოს გამოყენებისას, შესაძლებელია უცხო სხეულის თვალების მიდამოში მოხვედრა, რამაც შესაძლოა გამოიწვიოს თვალის მნიშვნელოვანი დაზიანება. ელექტრო ხელსაწყოს გამოყენებამდე აუცილებლად მოირგეთ უსაფრთხოების თვალსაფარი ან სათვალე თვალის მყარი დამცავებით და მთლიანი სახის ეკრანით. ჩვენ რეკომენდაციას ვუწევთ ფართო ხედვის არის მქონე უსაფრთხოების ნიღაბს სათვალეებთან ერთად ან სტანდარტულ გვერდითა ეკრანების მქონე უსაფრთხოების სათვალეებს.

უსაფრთხოების წესის სიმბოლოები



უსაფრთხოების სიგნალი



დაზიანების რისკის შესამცირებლად, მომხმარებელმა უნდა წაიკითხოთ და გაიგოს ხელსაწყოს მუშაობის ინსტრუქცია, მის გამოყენებამდე.



მოარიდეთ ფეხები და ხელები



ყოველთვის მოირგეთ უსაფრთხოების თვალსაფარი ან გვერდითა ეკრანების მქონე უსაფრთხოების სათვალე და მთლიანი სახის ეკრანი, ხელსაწყოთი სარგებლობისას.



ყურადღება: არ უყუროთ ლამფას, როცა მუშაობს.



საშიშროება — გამორთეთ ძრავი დასაცლელი კამერის გაქმნდამდე. დაზიანების რისკის შესამცირებლად მოარიდეთ ხელები და ფეხები მბრუნავ ნაწილებს. დამბლოკავები, რომლებიც უნდა გაიწმინდოს მხოლოდ ძრავის გამორთვის შემდეგ და არასოდეს - ხელით.



მოარიდეთ ფეხები ფრთოვანას



ელექტრო ხელსაწყოების უტილიზაცია არ უნდა მოხდეს საყოფაცხოვრებო ნარჩენებთან ერთად. წაიღეთ ხელსაყო ავტორიზებულ ნარჩენების გადამამუშავებელთან.



გარანტირებული ხმის სიმძლავრის დონე. ევროკავშირის რეგულაციების შესაბამისად.



პროდუქტი შეესაბამება ევროკავშირის მიერ წამოყენებულ რეგულაციებს

KA



მუდმივი დენი



ეს პროდუქტი შეესაბამება დიდი ბრიტანეთის მოქმედ კანონმდებლობას.

kg კილოგრამი



ვოლტი

IPX4 წყლის ჭავლისგან დაცვა

სპეციფიკაციები

მაზვა	56 ვოლტი	
გასუფთავების სიგანე	61 სმ	
შედენადობის სიმაღლე	51 სმ	
ბორბლის ზომა	38 სმ	
წონა	68 კგ	
რეკომენდებული საექსპლუატაციო ტემპერატურა	-20°C-10°C	
რეკომენდებული დასაწყობების ტემპერატურა	-20°C-70°C	
გაზომილი ხმის სიმძლავრის დონე L_{WA}	96,61 dB(A) K=1,6 dB(A)	
ბგერის წნევის დონე მომხმარებლის ყურზე L_{PA}	82,5 dB(A) K=4 dB(A)	
გარანტირებული ხმის სიმძლავრის დონე L_{WA} (გაზომილი 2000/14/EC რეგულაციის მიხედვით)	98 dB(A)	
ვიბრაციის შეფასება a_h :	მარცხენა სახელური	0,3 მ/წმ ² K=1,5 მ/წმ ²
	მარჯვენა სახელური	0,4 მ/წმ ² K=1,5 მ/წმ ²

აღწერა

შეისწავლეთ თქვენი თოვლის საბერველა (ნახ. A1 და A2)

- გვერდითი რელსი
- ელემენტის საფარი
- ელემენტის განყოფილება
- ბორბლები
- სამუხრუჭე ხუნდი

- LED პროექტორები
- პანელი
- კამერის საწმენდი ხელსაწყო
- თოვლის-დაცლის დარი
- კამერის დეფლექტორი
- უკანა სახელური
- შუქდიოდური გვერდითი შუქები
- ბურღის ჩამრთველი ტრიგერი
- მთავარი სახელური
- ბურღის სიჩქარის კონტროლის ბერკეტი
- უსაფრთხოების დილაკი
- თვითმომრავი სიჩქარის კონტროლის ბერკეტი
- თვითმომრავი ტრიგერი
- მთავარი სახელური
- შუქდიოდური შუქის დილაკი
- შუქდიოდური ინდიკატორი
- კამერის სატრიალებელი სახელური
- კამერის დეფლექტორის სახელური
- ბურღი
- საფხვკი
- აკუმულატორის მოხსნის დილაკი
- ელექტრო კონტაქტები

შეფუთვის ჩამონათვალი (სურ. A3)

ანცობა

ბორბლის დამაგრება/მოხსნა

- თოვლის საბერველა დააყენეთ პოზიციაზე სურ. B-ს მიხედვით, ადვილად დასამაგრებლად.
- ტარიდან მოხსენით გარეთა შუასადები და ბორბლის ჩამკეტი წვირი.
- ააწყეთ ბორბალი და გარეთა შუასადები. ჩაკეტეთ ისინი ბორბლის ჩამკეტი წვირით.

შენიშვნა: შეამოწმეთ ბორბალი, მის დამონტაჟებამდე, რათა დარწმუნდეთ, რომ ბორბლის ისარი მიმართულია (სურ. B).

B-1	გარეთა შუასადები	B-2	ბორბლის ჩამკეტი წვირი
-----	------------------	-----	-----------------------

KA

სახელურის კომპლექტი მონტაჟი

შენიშვნა: სახელურის კომპლექტი მოითხოვს აწყობას, თოვლის საბერველის ჩართვამდე (სურ. C1)

C-1	ჩამკეტი ღილაკი	C-2	სახელურის კომპლექტი
-----	----------------	-----	---------------------

მოუშვით ოთხი ჩამკეტი ღილაკი და გამოაძრეთ ჭანჭიკები. შეინახეთ ისინი ხელახალი აწყობისთვის. აირჩიეთ კომფორტული სამუშაო პოზიცია თქვენი სიმაღლის მიხედვით (სურ. C2). სახელურის კომპლექტი შეიძლება სამ სხვადასხვა სიმაღლეზე დაყენდეს. (სურ. C3 და სურ. C4 და სურ. C5)

ზედა ოპერაციული პოზიცია სურ. C3-ის მიხედვით

შუა ოპერაციული პოზიცია სურ. C4-ის მიხედვით

ქვედა ოპერაციული პოზიცია სურ. C5-ის მიხედვით

თოვლის დაცლის კამერის კომპლექტის მონტაჟი

⚠ გაფრთხილება: არ ჩართოთ თოვლის საბერველა, თუ ადგილზე სრულყოფილად არ არის დაცლის კამერა.

1. მოუშვით ღილაკი შიდა საყრდენ ჭოკზე და მოხსენით ჭანჭიკი (სურ. D1). შეინახეთ ღილაკი და ჭანჭიკი ხელახლა აწყობისთვის.

D-1	თოვლის დაცლის კამერა	D-2	გარეთა საყრდენი ჭოკი
D-3	ღილაკი	D-4	შიდა საყრდენი ჭოკი
D-5	ფუძე	D-6	ჭანჭიკი

2. აწიეთ თოვლის საცლელი კამერის კომპლექტი, გაუსწორეთ გარეთა საყრდენი ჭოკი შიდა საყრდენ ჭოკს, რათა გარეთა საყრდენი ჭოკი თვის ადგილზე ჩამოსრიალდეს. ადრწმუნდით, რომ თოვლის საცლელი კამერა ჩასმულია ფუძეში (სურ. D2).
3. უსაფრთხოდ დაიცავით თოვლის საცლელი კამერის კომპლექტი შენახული ღილაკითა და ჭანჭიკით.
4. ხაზშიდა კაბელის მარეგულირებით

შესაძლებელია ღარის მატრიალბელი სახელურის მოძრაობის სიმძლავრის შეცვლა თქვენი სურვილისამებრ, თქვენ შეგიძლიათ შეამციროთ სიმძლავრე ხაზშიდა კაბელის მარეგულირებლის საათის ისრის საწინააღმდეგოდ მსუბუქად დატრიალებით (სურ. D2). ხოლო მისი საპირისპირო მიმართულებით დატრიალებისას, სიმძლავრე გაიზრდება. გაითვალისწინეთ, რომ თოვლის გამომშვები ღარი გამოყენებისას გადაიხრება მარცხნივ/მარჯვნივ, თუ ის მეტისმეტად მოშვებული იქნება.

ექსპლუატაცია

აკუმულატორის ჩამაგრება/მოხსნა

დატენით პირველ ჯერზე სარგებლობამდე. გამოიყენეთ მხოლოდ ის აკუმულატორის ბლოკები და დამტენები, რომლებიც მითითებულია სურ. A4-ში

შენიშვნა: საუკეთესო მუშაობისთვის, გირჩევთ, გამოიყენოთ ორი 5.0 Ah EGO 56V მრუდიანი ლითიუმის ბატარეა ან ორი მაღალი სიმძლავრის EGO 56V Arc-მრუდიანი ლითიუმის ბატარეა.

როცა არ იყენებთ, 56V აკუმულატორის ბლოკები უნდა შეინახოთ დახურულ სივრცეში, სადაც ტემპერატურა -20°C-ზე ქვემოთ არ დაეცემა. დამუხტვის ოპტიმალური ტემპერატურაა 5°C-დან 40°C-მდე.

ჩამაგრებისთვის

ჩასვით ბატარეის ბლოკი ბატარეის განყოფილებაში, სანამ არ გაიგებთ «დაწკაპუნებას». (სურ. E1)

მოხსნისთვის

დააჭირეთ ბატარეის მოხსნის ღილაკს ბატარეის განყოფილებაში. (სურ. E2)

შენიშვნა: ექსპლუატაციის დაწყებამდე დარწმუნდით, რომ თოვლის საბერველაზე არსებული ჩამკეტი ჯდება თავის ადგილას და რომ ბატარეის ბლოკები უსაფრთხოდ არის მოწყობილობაზე.

თოვლის საბერველას ჩართვა/გამორთვა

⚠ ყურადღება: არ შეეცადოთ უსაფრთხოების ღილაკის მუშაობის გაუქმებას.

⚠ გაფრთხილება: დარწმუნდით რომ სხვა ადამიანები ან შინაური ცხოველები იმყოფებიან მინიმუმ 30მ მოშორებით, თოვლის საბერველით სარგებლობისას.

⚠ გაფრთხილება: ბურღი გააგრძელებს ბრუნვას რამდენიმე წამის განმავლობაში, როდესაც თოვლის საბერველა გამოირთვება. გააჩერეთ ბურღი, სანამ თავიდან არ აამოქმედებთ მას.

შენიშვნა: სწრაფად არ ჩართეთ და გამორთეთ თოვლის საბერველა.

თოვლის საბერველის ასამუშავებლად

1. დარწმუნდით, რომ სახელურის ნაკრები სათანადოდ არის მორგებული შესაბამის სიმაღლეზე, გვერდითი დაცლის კამერის ნაკრები სწორად არის დამონტაჟებული, კამერა და კამერის დეფლექტორი მორგებულია შესაბამის პოზიციაზე.
2. ჩასვით აკუმულატორის ბლოკ(ებ) ი თოვლის საბერველაში და დახურეთ ბატარეის საფარი.
3. დააჭირეთ უსაფრთხოების ღილაკს (A-16) და გააჩერეთ 1 წამი, LED ინდიკატორი(A-21) მწვანედ აციმციმდება. დააჭირეთ ბრღის გადამრთველ ტრიგერს(A-13), თოვლის საბერველის ჩასართავად, სანამ LED ინდიკატორი ციმციმებს

შენიშვნა: თოვლის საბერველის ჩართვა შესაძლებელია ბურღის ჩამრთველი ტრიგერით, მხოლოდ მაშინ, როცა LED ინდიკატორი ციმციმებს.

შენიშვნა: თოვლის საბერველა შესაძლოა სათანადოდ არ ჩაირთოს, თუ მისი ბატარეის ტემპერატურა -20°C ან ნაკლებია. თუ თოვლის საბერველა არ ჩაირთვება, მოხსენით ბატარეა და გაათბეთ შენობაში, 10 წუთის ან მეტის ხნის განმავლობაში. ხელახლა დააყენეთ ბატარეა და კიდევ სცადეთ.

თოვლის საბერველის გამოსართავად

სრულიად გაუშვით ხელი ბურღის ჩამრთველს.

შენიშვნა: ელექტრო მუხრუჭი ავტომატურ მექანიზმში გააჩერებს ბურღის ბრუნვას ჩამრთველზე ხელის აშვებიდან 3 წამში.

ბურღის სიჩქარის ცვალებადობის სისტემა

ბურღის სიჩქარის რეგულირება შესაძლებელია გამოსროლის მანძილის კონტროლისთვის.

სიჩქარის მოსაკლებად/მოსამატებლად, გადასწიეთ ბურღის სიჩქარის კონტროლის ბერკეტი (A-15) წინ/უკან.

ვარირებადი სიჩქარის თვით-სვლის სისტემა

ეს თოვლის საბერველა აღჭურვილია ცვლადი სიჩქარის მქონე თვით-სვლის შესაძლებლობით. ის ბურღის ბრუნვისგან დამოუკიდებლად მუშაობს.

თვით-სვლის სისტემის ასამუშავებლად ბურღის ბრუნვის გარეშე თვით-სვლის ტრიგერი (A-18) სახელურისკენ მოჰაჩეთ. სიჩქარის გასაზრდელად, თვით-სვლის სიჩქარის კონტროლის ბერკეტი (A-17) წინ გადაწიეთ. სიჩქარის შესამცირებლად, თვით-სვლის სიჩქარის კონტროლის ბერკეტი უკან გადაწიეთ.

თვით-სვლის ფუნქციის გამოსართველად თვით-სვლის ტრიგერი აუშვით.

თოვლის საბერველის უკან წასაყვანად, პირველ რიგში, გამორთეთ თვით-სვლის ფუნქცია; გადაწიეთ თვით-სვლის სიჩქარის კონტროლის ბერკეტი უკუსვლის პოზიციაში, შემდეგ დააჭირეთ თვით-სვლის ტრიგერს.

შენიშვნა: სიჩქარე დაფიქსირებულია, როგა თოვლის საბერველა მუშაობს უკუსვლით, თვით-სვლის მეშვეობით; სიჩქარის კონტროლის ბერკეტი ვერ შეცვლის სიჩქარეს უკუსვლისას.

შენიშვნა: შეუძლებელია თოვლის საბერველის გადართვა უკუსვლისთვის, როცა თვითსვლის ფუნქციათ ის წინ მოძრაობს.

ბურღის გადართვის ტრიგერის და თვით-სვლის ტრიგერის შეერთება

როცა თვით-სვლის ტრიგერს (A-18) და ბურღის გადართვის ტრიგერს (A-13) ერთდროულად დააჭერთ, შემდეგ აუშვებთ ბურღის გადართვის ტრიგერს (მარჯვენა ხელით), ბურღის გადართვის ტრიგერი ჩართული დარჩება. ეს ფუნქცია საშუალებას გაძლევთ, დაარეგულიროთ ბურღის სიჩქარე, თვით-სვლის სიჩქარე და თოვლის დაცლის მიმართულება, ბურღის ტრიალის დროს

KA

ბურღის გასაჩერებლად, აუშვით თვით-სვლის ტრიგერი და ბურღიც და თვით-სვლის ფუნქციაც გაითიშება.

კამერისა და დეფლექტორის რეგულირება

კამერის რეგულირება შესაძლებელია როგორც მიმართულების, ისე თოვლის გამოსროლის მანძილის შესაცვლელად, რათა დაგეხმაროთ თოვლის ერთი ადგილიდან მეორე ადგილზე გადატანაში.

თოვლის მოშორების მიმართულების რეგულირება შესაძლებელია მარცხნივ 100°-ით და მარჯვნივ 100°-ით

მოქაჩეთ კამერის დატრიალების სახელური (A-22) მარცხნივ/მარჯვნივ, კამერის მარცხნივ/მარჯვნივ მისაბრუნებლად.

თოვლის საბერველის გამოსროლის მანძილის რეგულირება ხდება კამერის დეფლექტორის მოძრაობით ზევით ან ქვევით.

თოვლის გამოსროლის მანძილის გასაზრდელად ან შესამცირებლად, გადაწიეთ კამერის დეფლექტორის სახელური (A-23) უკან ან წინ, რომ აამაღლოთ ან დაადაბლოთ კამერის დეფლექტორი (A-10). როცა კამერის დეფლექტორს სასურველ პოზიციაზე დააყენებთ, ჩართეთ კამერის დეფლექტორის სახელური ჩამკეტ კილოში (F-1) (სურ. F).

შუქდიდური გვერდითი შუქების(A-12) და წინა შუქების(A-6) მუშაობა

ერთხელ დააჭირეთ შუქდიოდური სინათლის ღილაკს, გვერდითი და წინა შუქების ასანთებად.

ორჯერ დააჭირეთ შუქდიოდური სინათლის ღილაკს, გვერდითი შუქების გასათიშად.

სამჯერ დააჭირეთ შუქდიოდური სინათლის ღილაკს, ყველა შუქის გასათიშად.

შენიშვნა: ყველა შუქდიოდური სინათლე ავტომატურად გაითიშება, თუ თოვლის საბერველა არ იმუშავებს 5 წუთის განმავლობაში.

შუქდიდების მაჩვენებელი (A-21) თოვლის საბერველაზე

თოვლის საბერველას აქვს შუქდიოდების მაჩვენებელი, რომელიც დატენილი აკუმულატორის და თოვლის საბერველას მუშაობის სტატუსის ინდიკატორია.

შუქდიოდური ინდიკატორი	შენიშვნა	მოქმედება
ანათებს მწვანედ	თოვლის საბერველა გამართულად მუშაობს; თითოეული აკუმულატორი დატენილია მინიმუმ 15%-ით.	არ მოესადგება.
მოციმციმე წითელი შუქი	აკუმულატორი თითქმის დაცლილია.	გაჩერეთ თოვლის საბერველა და დატენეთ აკუმულატორის ბლოკები.
მონაცვლეობით მოციმციმე მწვანე და წითელი შუქი	შეცდომა	მიმართეთ EGO-ს კლიენტთა მომსახურების ცენტრს
ანათებს ნარინჯისფერად	თოვლის საბერველა ჩერდება გადახურების გამო.	ამოიღეთ აკუმულატორი თოვლის საბერველიდან, მოათავსეთ ჩრდილში, გააგრილეთ სულ მცირე 15 წუთით.
მოციმციმე ნარინჯისფერი შუქი	თოვლის საბერველა გადატენილია.	პირველ რიგში, მოხსნით აკუმულატორის ბლოკი, შემდეგ შეამოწმეთ და გაწმინდეთ, თუ თოვლი პანელის ქვეშ დგროვდა. თოვლის მოძრაობისას, შეანელეთ ტემპი. თუ ეს არ იმუშავებს, მიმართეთ EGO-ს კლიენტთა მომსახურების ცენტრს.

KA

გამორთვა და მუქდიოდები ბატარეის ნათებაზე	ბატარეის გადახურება. (იხილეთ ნაწილი «ბატარეის მაღალი ტემპერატურისგან დაცვა», ამ სახელმძღვანელოში)	თოვლის საბერველას მოხსენით აკუმულატორი და დაელოდეთ, სანამ აკუმულატორის ტემპერატურა არ ჩამოვა დაახლოებით 67°C-მდე, შემდეგ და ისევ ჩასვით აკუმულატორი და თოვლის საბერველა ხელახლა ჩართეთ.
--	---	---

თოვლის საბერველის დაცვა ზედმეტი დატვირთვისგან

თქვენს თოვლის საბერველას აქვს ჩამენებული ზედმეტი დატვირთვის მგრძობელობის ელემენტები. როცა თოვლის საბერველა ზედმეტად გადაიტვირთება, ძრავი ავტომატურად შეანელებს სიჩქარეს და თქვენ გაიგონებთ ძრავის შეწელების სიგანას. შეანელებთ ტემპი ან დაავიწროვებთ წმენდის სიგანე, შედეგ ძრავის სიჩქარე ავტომატურად განაგრძობს ჩვეულებრივ მუშაობას. თუ ეს საშუალება ზედმეტი დატვირთვის პრობლემას არ გადაწყვეტს, სენსორი ავტომატურად გათიშავს ძრავს და მუქდიოდური ინდიკატორი თოვლის საბერველაზე ნარინჯისფრად აინთება. მოხსენით აკუმულატორის ბლოკ(ებ) ი თოვლის საბერველას, დაელოდეთ 10 წამი და შეამოწმეთ, ბურღში ან პანელში თოვლი ან ყინული ხომ არ არის გაჭედული. საჭიროების შემთხვევაში, იხელმძღვანელებთ "გაჭედული კამერის გასუფთავების" ინსტრუქციით. ხელახლა ჩასვით ბატარეები და თავიდან ჩართეთ თოვლის საბერველა.

გაჭედული კამერის გასუფთავება

▲ გაფრთხილება: ყოველთვის გამოიყენეთ კამერის გასასუფთავებელი ხელსაწყო (A-8) რომელიც აქსესუარის სახით მოყვება მოწყობილობას, არ გააკეთოთ ეს ხელით.

აკუმულატორის დაცვა მაღალი ტემპერატურისგან

აკუმულატორის ბლოკი მუშაობის პროცესში გახურდება. სიცხე უფრო ნელი ტემპით გადაივლის ცხელ ამინდში. თუ აკუმულატორის ტემპერატურა 70°C-ს გადააჭარბებს მუშაობის პროცესში, დამცავი

სისტემა მაშინვე გამორთავს თოვლის საბერველას აკუმულატორის ბლოკის გახურებისგან დაზიანების თავიდან აცილების მიზნით. თოვლის საბერველის სტატუსის ინდიკატორი გამორთვება, აკუმულატორზე მუქდიოდების შესახებ დეტალური ინფორმაციისთვის იხილეთ «აკუმულატორის დაცვის» ნაწილი, აკუმულატორის ოპერატორის სახელმძღვანელოში. გაუშვით ხელი გადამრთველს, დაელოდეთ სანამ აკუმულატორის ტემპერატურა არ ჩამოვა დაახლოებით 67°C-მდე და ხელახლა ჩართეთ თოვლის საბერველა.

რჩევები ექსპლუატაციასთან დაკავშირებით

▲ საფრთხე: არ გამოიყენოთ თოვლის საბერველა გაყინულ ტბებზე, მდინარეებსა და მსგავს ზედაპირებზე. ყინულის ჩატეხვამ შესაძლოა გამოიწვიოს სიკვდილი ან სერიოზული ტრავმა.

▲ საფრთხე: არასოდეს გამოიყენოთ თოვლის საბერველა სახურავებზე ან სხვა არამყარ ზედაპირზე, რამაც შეიძლება სიკვდილი ან სხეულის სერიოზული ტრავმა გამოიწვიოს.

▲ გაფრთხილება: არ გამოიყენოთ თოვლის საბერველა ყინულზე, რამაც შეიძლება გამოიწვიოს ოპერატორის მოცურება, დაცემა და შედეგად, შესაძლოა სერიოზული ტრავმა.

▲ გაფრთხილება: არ ატაროთ თავისუფალი ტანსაცმელი, შარფები ან ძვირფასეულობა. ისინი შეიძლება ჩაითრიოს მოძრაობა ნაწილებმა და გამოიწვიოს სიკვდილი ან სხეულის სერიოზული ტრავმა.

▲ გაფრთხილება: თოვლის საცლელი იქონიეთ ყველა ელექტრო მოწყობილობიდან მოშორებით, დენის დარტყმის ან ელექტრო შოკის რისკის შესამცირებლად.

▲ გაფრთხილება: არ მიუშვიროთ თოვლის საბერველას ან დასაცლელი კამერა სხვა ადამიანებს ან შინაურ ცხოველებს. გამოტყორცნილმა თოვლმა ან სხვა საგნებმა შესაძლოა მოგაყენოთ სხეულის სერიოზული ტრავმა.

KA

▲ გაფრთხილება: დარწმუნდით, რომ გასასუფთავებელი ტერიტორია თავისუფალია ქვებისაგან, ჯოხებისაგან, მავთულულებისაგან, ხრეშისა და სხვა საგნებისაგან, რომლებიც თოვლის საბერველამ შემთხვევით შეიძლება გამოისროლოს ნებისმიერი მიმართულებით და გამოიწვიოს ოპერატორის და სხვა ადამიანების სხეულის სერიოზული დაზიანება.

- თუ მოწყობილობას შეხვდება ნებისმიერი ტიპის დაბრკოლება ან ნამსხვრევები, გამოყენების დროს, გამორთეთ თოვლის საბერველა, მოხსენით აკუმულატორის ბლოკ(ებ)ი, ამოიღეთ დაბრკოლება და ყურადღებით შეამოწმეთ, ხომ არ დაზიანდა მოწყობილობა, მუშაობის გაგრძელებამდე.

▲ გაფრთხილება: არ მიუახლოვდეთ დასაცვლელ კამერას და სხეული რომელიმე ნაწილი არ მოახვედროთ თოვლის საბერველის წინ, როდესაც მოწყობილობა მუშაობს ან როცა აკუმულატორის ბლოკ(ებ)ი დამონტაჟებულია. ყოველთვის დარწმუნდით, რომ ყველა მოძრავი ნაწილი გაჩერებულია და აკუმულატორის ბლოკ(ებ)ი მოხსნილია, სანამ რაიმე დაბრკოლებას გაწმენდთ. ჩამოთვლილი ინსტრუქციების უგულვებელყოფამ შესაძლოა გამოიწვიოს სხეულის სერიოზული ტრავმა.

- მუშაობის დაწყებამდე, დაადგინეთ ქარის მიმართულება. როდესაც შესაძლებელია, გაწმინდეთ თოვლი ქარის მიმართულებით, რათა თავიდან აიცილოთ თოვლის სახეში შემოყრა.
- თოვლის საბერველის ზოგიერთი ნაწილი შეიძლება გაიყინოს ძალიან მკაცრი ამინდის პირობებში. არ ეცადოთ მოწყობილობის ამუშავებას გაყინული ნაწილებით.
- დასრულების შემდეგ, დამატებით რამდენიმე წუთის განმავლობაში კიდევ ამუშავეთ ძრავი, რათა თავიდან აიცილოთ მოძრავი ნაწილების გაყინვა, შემდეგ კამერის ბრუნვის სახელური რამდენჯერმე გადააწიეთ წინ და უკან, რათა გაათავისუფლოთ იგი ყინულის ჩაგროვებისგან. გაასუფთავეთ კამერის ფუძე ყოველგვარი თოვლისა და ყინულისგან.
- თოვლიან და ცივ პირობებში, ზოგიერთი მაკონტროლებელი და მოძრავი ნაწილები შეიძლება გაიყინოს. გაყინული მაკონტროლებელი ნაწილების ამუშავების მცდელობისას, არ გამოიყენოთ ზედმეტი ძალისხმევა. თუ გიჭირთ რომელიმე

მაკონტროლებელი ან სხვა ნაწილის ამუშავება, აამუშავეთ მოწყობილობა ისე, როგორც მითითებულია "თოვლის საბერველის ჩარგის/გამორთვის" ნაწილში და აცდეთ, რომ იმუშაოს რამდენიმე წუთის განმავლობაში.

მოვლა

ზოგადი მოვლის წესი

მოერიდეთ გამხსნელების გამოყენებას ხელსაწყოს პლასტმასის ნაწილების გაწმენდისას. პლასტმასების უმეტესობა ადვილად ზიანდება მათზე გამხსნელების გამოყენების შედეგად. გამოიყენეთ სუფთა ტილო ტალახის, მტვრის, ზეთის, ცხიმის და სხვათა მოსაცილებლად.

მონყობილობის შეგნება

ამ პროდუქტში ყველა საკისარი გაპოხილია სათანადო ოდენობით მაღალი ხარისხის საპოხი მასალისთ, მოწყობილობის ვარგისიანობის განმავლობაში და ნორმალური მუშაობის პირობებში. ამრიგად, დამატებითი გაპოხვა საჭირო არ არის.

სამუხრუჭე ხუნდის შეცვლა და რეგულირება

1. მოხსენით აკუმულატორი.
2. მოლუპვით და ამოიღეთ ბურთულები, შუასადებები და სამუხრუჭე ხუნდი ხრახნიდან (სურ. G1).
3. საჭიროების შემთხვევაში, შეცვალეთ სამუხრუჭე ხუნდი ახლით.
4. სამუხრუჭე ხუნდის სიმაღლე შეიძლება დარეგულირდეს თოვლის ფაქტობრივი პირობების შესაბამისად, ბურთულების საფუძვლიანად ამოღების გარეშე. უზრალოდ მოლუპვით ისინი, დაარეგულირეთ სამუხრუჭე ხუნდის პოზიცია და შემდეგ კვლავ მოლუპვით (სურ. G2).

საჭრელი წიკრის შეცვლა

საჭრელი წიკრები განლაგებულია ბურდის ღეროში (სურ. H1). ისინი ეხმარებიან მყისიერი ბრუნვის მომენტის შეწოვაში, როდესაც ბურდს ხვდება დაბრკოლება მუშაობის დროს და იცავენ გადამცემ კოლოფს და ძრავს დაზიანებისგან.

H-1	ბურდის ღერო	H-2	საჭრელი წიკრი
-----	-------------	-----	---------------

საჭრელი წვირის შესაცვლელად, მოხსენით აკუმულატორი, ამოიღეთ გატეხილი საჭრელი წვირი ბურღის ღეროდან და შეცვალეთ იგი ახალი ჭანჭიკებით.

შენიშვნა: ორი დამატებითი საჭრელი წვირი ინახება კამერის კომპლექტში, შეცვალეთ ახლით, თუ თავდაპირველი გატეხილია. (სურ. H2).

თოვლის საბერველის შენახვის წესი

⚠ ყურადღება: დარწმუნდით, რომ მთელი დამდნარი თოვლი, რომელიც შეიძლება თოვლის საბერველიდან გამოვიდეს, სათანადოდ მოიწმინდოს, რათა თავიდან აიცილოთ მოცურებისა და ადგიმის და საშიშროება.

- მოხსენით აკუმულატორის ბლოკ(ებ)ი და შეინახეთ უსაფრთხო ადგილას, ბავშვებისთვის მიუწვდომლად.

შენახვის წინ, აკუმულატორის არე განწმინდეთ ნებისმიერი ტენის, ჭეჭყის ან ნარჩენებისგან.

- გაწმინდეთ თოვლის საბერველა სუფთა, მშრალი ქსოვილით.
- შეამოწმეთ, რომ მჭიდროს იყოს ყველა ბურთულა, ჭანჭიკი, დილაკი, ხრახნი და ა.შ.
- შეამოწმეთ, რომ მოძრავი ნაწილები არ იყოს დაზიანებული, გატეხილი და გაცვეთილი. შეაკეთეთ ყველა დაზიანებული ან დაკლებული ნაწილი.
- თოვლის საბერველა შეინახეთ სუფთა, მშრალ, დახურულ, ბავშვებისთვის მიუწვდომელ ადგილზე.
- არ შეინახოთ კოროზიულ მასალასთან ახლოს, როგორცაა სასუქი ან ქვამარილი.

გარემოს დაცვა



ელექტრო ხელსაწყოების უტილიზაცია არ უნდა მოხდეს არასორტირებულ მუნიციპალურ ნარჩენებთან ერთად, გამოიყენეთ სპეციალური ჩაბარების პუნქტები.

მიმართეთ ადგილობრივი თვითმმართველობის ორგანოებს, რათა მოიძიოთ ინფორმაცია ნარჩენების უტილიზაციის სისტემებთან დაკავშირებით.

ელექტრო მოწყობილობების ნაგავსაყრელზე მოთავსებისას, სახიფათო ნარჩენები შესაძლოა გაიჟონოს გრუნტის წყლებში და მოხვდეს საკვებ ჯაჭვში, რამაც შესაძლოა დააზიანოს თქვენი ჯანმრთელობა და კეთილდღეობა.

გაუმართაობის დიაგნოსტიკა

⚠ გაფრთხილება: ყოველთვის მოამორეთ აკუმულატორის ბლოკ(ებ)ი, როდესაც ახდენთ თოვლის საბერველით მომსახურებას ან მის ტრანსპორტირებას. ყოველთვის დაიცავით ხელები დამცავი ხელთათმანებით, როცა თოვლის საბერველს ბურღს ან სახეხვს უტარებთ ნებისმიერ სერვისს.

პრობლემა	მიზეზი	SOLUTION
თოვლის საბერველა არ ირთვება.	<ul style="list-style-type: none"> ■ ელემენტის მუხტი დამუდარია. ■ ბურღის ჩამრთველი ტრიგერი არ არის შესუტებული მაშინ, როცა შუქდიოდური ინდიკატორი მწვანედ ანათებს. ■ ბურღი გაყინულია თოვლის ან ყინვისგან. ■ აკუმულატორი გადახურებულია. შუქდიოდური ინდიკატორი აკუმულატორზე ციმციმებს ნარინჯისფრად ან ანათებს წითლად (იხილეთ ნაწილი "აკუმულატორის დაცვა მაღალი ტემპერატურისგან", ამ სახელმძღვანელოში). 	<ul style="list-style-type: none"> ■ დატენეთ აკუმულატორი. ■ დააჭირეთ ბურღის ჩართვის ტრიგერს, როცა შუქდიოდურ ინდიკატორი აციმციმდება. თუ შუქდიოდური ინდიკატორი ციმციმს შეწყვეტს, თოვლის საბერველს რეაქცია არ ექნება ბურღის ჩამრთველი ტრიგერის დაჭერაზე. ■ პირველ რიგში მოხსენით აკუმულატორის ბლოკ(ებ)ი, გამოიყენეთ კამერის გამწმენდი ხელსაწყო, რომელიც მოწყობილობას მოყვება, თოვლის ან ყინულის გასაწმენდად, რომელიც ბურღის მუშაობას ხელს უშლის. ხელახლა ჩართეთ თოვლის საბერველა. ■ ამოიღეთ გადახურებული აკუმულატორი თოვლის საბერველადან და დაელოდეთ, სანამ აკუმულატორის ბლოკი გაცივდება დაახლოებით 67°C-მდე, შემდეგ ხელახლა ჩასვით აკუმულატორი და თავიდან ჩართეთ თოვლის საბერველა.
მრავი ჩართულია, მაგრამ ბურღი არ ირთვება.	<ul style="list-style-type: none"> ■ საჭრელი წკირი გატეხილია. 	<ul style="list-style-type: none"> ■ შეცვალეთ საჭრელი წკირი, როგორც აღწერილია ნაწილში „საჭრელი წკირის გამოცვლის წესი“, ამ სახელმძღვანელოში.
შუქდიოდური სინათლის დილაკი არ არის მგრძობიარე პირველ შეხებაზე.	<ul style="list-style-type: none"> ■ შიდა თვითშემოწმების პროცესი იწვევს დილაკზე პირველი დაჭერის რეაქციის ოდნავ შეყოვნებას. 	<ul style="list-style-type: none"> ■ დააჭირეთ შუქდიოდური სინათლის დილაკს და გააჩერეთ 1 წამის განმავლობაში.
შუქდიოდური ინდიკატორი აკუმულატორზე კვლავ ჩართულია, თოვლის საბერველის ბურღის მუშაობის შეწყვეტის ან თვით-სვლის სისტემის გამორთვის შედეგად.	<ul style="list-style-type: none"> ■ ელექტრო ჯაჭვი მოლოდინის რეჟიმშია შემდეგი გადატვირთვისთვის. შუქდიოდები ავტომატურად გაითიშება, თუ თოვლის საბერველა არ მუშაობს 5-10 წუთის განმავლობაში. 	<ul style="list-style-type: none"> ■ დატოვეთ ის ან ამოიღეთ ბატარეები აკუმულატორის განყოფილებიდან.

KA

გარანტია

გთხოვთ ეწვიოთ ვებ-გვერდს egopowerplus.eu, რათა მიიღოთ EGO-ს საგარანტიო მომსახურების სრული პირობები.

214

56- ვოლტიანი ლითიუმ-იონის უსადენო თოვლის საბერველა — SNT2400E

PROČITAJTE SVA UPUTSTVA!

Predviđena upotreba: Uklanjanje snega sa površina poput prilaza i trotoara.

⚠ UPOZORENJE: Obavezno pročitajte i shvatite sva sigurnosna uputstva u ovom Priručniku za rukovaoca, obuhvatajući i sve simbole sigurnosnih upozorenja poput „**OPASNOST**“, „**UPOZORENJE**“ i „**OPREZ**“ pre korišćenja ovog alata. Nepridržavanje svih dolenađenih uputstava može da dovede do strujnog udara, požara i/ili ozbiljne telesne povrede.

⚠ UPOZORENJE: Rukovanje svakim električnim alatom može da dovede do izbacivanja stranih predmeta ka očima, što može da dovede do ozbiljnog oštećenja očiju. Pre započinjanja rada sa električnim alatom, uvek stavite sigurnosne naočare ili sigurnosne naočare sa bočnim štitnicima ili po potrebi masku za celo lice. Preporučujemo sigurnosnu masku Wide Vision za upotrebu preko naočara ili standardnih sigurnosnih naočara sa bočnim štitnicima.

SIGURNOSNI SIMBOLI



Sigurnosno upozorenje



Da bi smanjio rizik od povreda, korisnik pre korišćenja ovog proizvoda mora pročitati i shvatiti priručnik za rukovaoca.



držite stopala i šake podalje



Uvek nosite sigurnosne naočare ili sigurnosne naočare sa bočnim štitnicima i po potrebi masku za celo lice kad rukujete ovim proizvodom.



OPREZ: Nemojte gledati u uključenu lampu.



OPASNOST – isključite motor pre otpušavanja izlaznog žleba. Da biste smanjili rizik od povreda, držite šake i stopala dalje od rotacionih delova. Blokade bi trebalo čistiti tek nakon isključivanja motora i nikad rukom.



Držite stopala izvan rotora



Otpadne električne proizvode ne bi trebalo odlagati zajedno sa otpadom iz domaćinstva. Odnosite ih u ovlašćeni pogon za reciklažu.



Garantovan nivo jačine zvuka. Prema Direktivi Evropske zajednice.



Ovaj proizvod je u skladu sa primenjivom EC direktivom



Jednosmerne struje



Ovaj proizvod je u skladu sa primenjivim zakonima u UK.

kg

Kilogram

V

Volt

IPX4

Zaštita od mlazova vode

SR

SPECIFIKACIJE

Voltaža	56 V	
Širina čišćenja	61 cm	
Visina usisavanja	51 cm	
Veličina točkova	38 cm	
Težina	68 kg	
Preporučena radna temperatura	Od -20°C do +10°C	
Preporučena temperatura skladištenja	Od -20°C do +70°C	
Izmereni nivo jačine zvuka L_{WA}	96,61 dB(A) K=1,6 dB(A)	
Nivo zvučnog pritiska kod uha rukovaoca L_{PA}	82,5 dB(A) K=4 dB(A)	
Garantovan nivo jačine zvuka L_{WA} (izmereno prema 2000/14/EC)	98 dB(A)	
Procena vibracije a_h :	Leva drška	0,3 m/s ² K=1,5 m/s ²
	Desna drška	0,4 m/s ² K=1,5 m/s ²

OPIS

UPOZNAJTE SVOJ DUVAČ ZA SNEG (slika A1 i A2)

- Bočna šina
- Poklopac baterije
- Odeljak baterije
- Točkovi
- Navlaka za klizanje
- LED prednja svetla
- Ploča
- Alatka za čišćenje žleba
- Žleb za izbacivanje snega
- Deflektor žleba
- Zadnja drška
- LED bočna svetla
- Okidač svrdla
- Glavna drška
- Poluga za kontrolu brzine svrdla
- Sigurnosno dugme
- Poluga za kontrolu brzine sopstvenog pogona
- Okidač sopstvenog pogona
- Glavna drška
- Dugme za LED svetla
- LED indikator

SR

216

BEŽIČNI DUVAČ ZA SNEG SA LITIJUM-JONSKOM BATERIJOM OD 56 VOLTI — SNT2400E

- Drška za rotiranje žleba
- Drška deflektora žleba
- Svrdlo
- Strugač
- Dugme za otpuštanje baterije
- Električni kontakti

POPIS PAKOVANJA (SLIKA A3)

SKLAPANJE

MONTIRANJE/SKIDANJE TOČKA

- Postavite duvač za sneg kao na slici B radi lakšeg montiranja.
- Skinite spoljašnju zaptivku i osigurač točka sa osovine.
- Sklopote točak i spoljašnju zaptivku. Osigurajte ih osiguračem točka.

Napomena: Proverite točak pre instalacije da biste se uverili da je strelica točka prema napred (slika B).

B-1	Spoljašnja zaptivka	B-2	Spoljašnja zaptivka
-----	---------------------	-----	---------------------

ZA INSTALACIJU SKLOPA DRŠKI

NAPOMENA: Sklop drški zahteva sklapanje pre rukovanja duvačem za sneg (slika C1)

C-1	Dugme za zaključavanje	C-2	Sklop drške
-----	------------------------	-----	-------------

Olabavite četiri dugmeta za zaključavanje i izvucite zavrtnje. Sačuvajte ih za ponovno sklapanje. Izaberite udoban radni položaj prema svojoj visini (slika C2). Sklop drške se može postaviti na tri različite visine. (slika C3 i slika C4 i slika C5)

Gornji radni položaj kao na slici C3

Srednji radni položaj kao na slici C4

Donji radni položaj kao na slici C5

ZA INSTALIRANJE SKLOPA ŽLEBA ZA IZBACIVANJE SNEGA

UPOZORENJE: Nikad ne rukujte duvačem za sneg bez kompletnog izlaznog žleba na svom mestu.

- Odvrnite dugme na unutrašnjoj potpomoj šipki i skinite zavrtanj (slika D1). Sačuvajte dugme i zavrtanj za ponovno sklapanje.

D-1	Žleb za izbacivanje snega	D-2	Spoljašnja potporna šipka
D-3	dugme	D-4	Unutrašnja potporna šipka
D-5	Osnova	D-6	Zavrtnaj

- Podignite sklop žleba za izbacivanje snega, poravnajte spoljašnju potporna šipku sa unutrašnjom potporna šipkom da biste gumuli spoljašnju potporna šipku na njeno mesto. Vodite računa da žleb za izbacivanje snega bude smešten na osnovu (slika D2).
- Pričvrstite sklop žleba za izbacivanje snega sačuvanim dugmetom i zavrtnjem.
- Rednim regulatorom kabla može se menjati snaga kretanja ručke za rotaciju cevi; možete smanjiti snagu blagim rotiranjem rednog regulatora kabla suprotno kazaljki na satu (slika D2). Nasuprot tome, snaga će biti povećana njegovim okretanjem u suprotnom smeru. Imajte u vidu da će se cev za izbacivanje snega pomerati levo/desno tokom upotrebe ako je previše labava.

RUKOVANJE

ZA SPAJANJE/ODVAJANJE BATERIJE

NAPUNITE PRE PRVE UPOTREBE.

Koristite samo sa baterijama i punjačima navedenim na slici A4

NAPOMENA: Za najbolji učinak, preporučujemo korišćenje sa dve 5,0 Ah EGO 56 V ARC litijumske baterije ili sa dve EGO 56 V ARC litijumske baterije većeg kapaciteta.

Kad se ne koriste, baterije od 56 V treba skladištiti u zatvorenom prostoru gde temperatura neće pasti ispod -20 °C. Optimalne temperature punjenja su između 5 °C i 40 °C.

Za spajanje

Gurnite bateriju u odeljak za bateriju dok ne čujete „klik“. (SLIKA E1)

Za odvajanje

Pritisnite dugme za otpuštanje baterije u odeljku za bateriju. (SLIKA E2)

NAPOMENA: Vodite računa da reza na duvaču za sneg škljocne na svoje mesto i da baterije budu pričvršćene na jedinicu pre započinjanja rada.

POKRETANJE/ZAUSTAVLJANJE DUVAČA ZA SNEG

⚠ OPREZ: Ne pokušavajte da zaobidete funkciju sigurnosnog dugmeta.

⚠ UPOZORENJE: Osigurajte da drugi ljudi i kućni ljubimci budu udaljeni najmanje 30 m od duvača za sneg kada je u upotrebi.

⚠ UPOZORENJE: Svrldo će nastaviti da se okreće nekoliko sekundi nakon isključivanja duvača za sneg. Sačekajte da svrdlo prestane da se okreće pre ponovnog pokretanja.

NAPOMENA: Nemojte brzo isključivati i uključivati duvač za sneg.

Za pokretanje duvača za sneg

- Vodite računa da sklop drške bude čvrsto podešen na odgovarajuću visinu, da sklop bočnog izlaznog žleba bude pravilno montiran, da žleb i deflektor žleba budu podešeni u odgovarajući položaj.
- Umetnite baterije u duvač za sneg i zatvorite poklopac baterija.
- Pritisnite **sigurnosno dugme (A-16)** i držite tokom 1 sekunde, pa će **LED indikator (A-21)** treperiti zeleno. Pritisnite **okidač svrdla (A-13)** da biste uključili duvač za sneg dok LED indikator treperi.

NAPOMENA: Duvač za sneg se može uključiti pomoću okidača svrdla samo dok LED indikator treperi.

NAPOMENA: Duvač za sneg se možda neće pravilno pokrenuti ako je temperatura baterije -20 °C ili manje. Ako se duvač za sneg ne pokrene, izvadite bateriju iz duvača za sneg i ostavite je u zatvorenom prostoru da se ugrije 10 minuta ili duže. Ponovo instalirajte bateriju i pokušajte ponovo.

Za zaustavljanje duvača za sneg

Potpuno pustite okidač svrdla.

NAPOMENA: Električna kočnica u automatskom kočionom mehanizmu će zaustaviti okretanje svrdla u roku od 3 sekunde od puštanja okidača svrdla.

Sistem varijabilne brzine svrdla

Brzina svrdla se može podesiti radi kontrole daljine bacanja. Za povećanje/smanjenje brzine, gurnite polugu za kontrolu brzine svrdla (A-15) unapred/unazad.

Sistem sopstvenog pogona sa varijabilnom brzinom

Ovaj duvač za sneg je opremljen mogućnošću sopstvenog pogona sa varijabilnom brzinom. On ne zavisi od rotacije svrdla.

Za rukovanje sistemom sopstvenog pogona bez rotacije svrdla, pritisnite **okidač sopstvenog pogona (A-18)** na drški. Za povećanje brzine, pomerite **polugu za kontrolu brzine sopstvenog pogona (A-17)** unapred. Za smanjenje brzine, pomerite polugu za kontrolu brzine sopstvenog pogona unazad.

SR

Za isključivanje funkcije sopstvenog pogona, pustite okidač sopstvenog pogona.

Za kretanje duvača za sneg unazad, prvo zaustavite funkciju sopstvenog pogona, povucite polugu za kontrolu brzine sopstvenog pogona u položaj **REVERSE**, potom pritisnite okidač sopstvenog pogona.

NAPOMENA: Brzina je fiksna kad se rukuje duvačem za sneg unazad pomoću sopstvenog pogona; poluga za kontrolu brzine ne može menjati brzinu unazad.

NAPOMENA: Duvač za sneg se ne može prebaciti na kretanje unazad dok ga funkcija sopstvenog pogona pokreće unapred.

POVEZANOST OKIDAČA SVRDLA I OKIDAČA SOPSTVENOG POGONA

Kad su **okidač sopstvenog pogona (A-18)** i **okidač svrdla (A-13)** pritisnuti u isto vreme a onda se pusti okidač svrdla (desna ruka), okidač svrdla će ostati uključen. Ova funkcija vam omogućava da podešavate brzinu svrdla, brzinu sopstvenog pogona i smer izbacivanja snega dok se svrdlo okreće

Za zaustavljanje svrdla, pustite okidač sopstvenog pogona; i svrdlo i funkcija sopstvenog pogona će se zaustaviti.

PODEŠAVANJE ŽLEBA I DEFLEKTORA

Žleb se može podesiti radi promene i smera i daljine izbacivanja snega da bi vam pomogao u premeštanju snega dalje od jednog područja i njegovom izbacivanju na drugo.

Smer uklanjanja snega može se podesiti do 100° levo i 100° desno

Povucite **dršku za rotiranje žleba (A-22)** levo/desno da biste rotirali žleb levo/desno.

Daljina bacanja duvača za sneg se podešava pomeranjem deflektora žleba gore ili dole.

Za povećanje ili smanjenje daljine na koju se sneg baca, povucite **dršku deflektora žleba (A-23)** nazad ili napred da biste podigli ili spustili **deflektor žleba (A-10)**. Kad dođete na željeni položaj deflektora žleba, umetnite dršku deflektora žleba u prorez za zaključavanje (F-1) (slika F).

RUKOVANJE LED BOČNIM SVETLIMA (A-12) I PREDNJIM SVETLIMA (A-6)

Pritisnite dugme za LED svetla jednom da biste uključili i bočna i prednja svetla.

Pritisnite dugme za LED svetla dva puta da biste isključili bočna svetla.

Pritisnite dugme za LED svetla tri puta da biste isključili sva svetla.

NAPOMENA: Sva LED svetla će se automatski isključiti ako se duvačem za sneg ne rukuje u roku od 5 minuta.

LED INDIKATOR (A-21) NA DUVAČU ZA SNEG

Duvač za sneg je opremljen LED indikatorom koji pokazuje nivo punjenja baterija i radni status duvača za sneg.

LED INDIKATOR	Značenje	Akcija
Svetli zeleno	Duvač za sneg radi pravilno; svaka baterija ima najmanje 15% punjenja.	Nije primenjivo.
Bljeska crveno	Baterija je skoro prazna.	Zaustavite duvač za sneg i napunite baterije.
Naizmjenično bljeska zeleno i crveno	Greška	Obratite se EGO centru za korisničku službu
Svetli narandžasto	Duvač za sneg se zaustavlja zbog pregrevanja.	Izvadite baterije iz duvača za sneg, premestite ih u senku i hladite ih najmanje 15 minuta.
Bljeska narandžasto	Duvač za sneg je preopterećen.	Prvo izvadite bateriju, potom proverite i očistite ako se sneg nakupio ispod ploče. Usporite korak kad čistite sneg. Ako to ne uspe, obratite se EGO centru za korisničku službu.
Bljeska OFF i LED na bateriji	Pregrevanje baterije. (Pogledajte odeljak „ZAŠTITA OD VISOKE TEMPERATURE BATERIJE“ u ovom priručniku)	Izvadite bateriju iz duvača za sneg i sačekajte da se baterija ohladi na približno 67 °C, potom ponovo instalirajte bateriju i ponovo pokrenite duvač za sneg.

ZAŠTITA OD PREOPTEREĆENJA DUVAČA ZA SNEG

Duvač za sneg ima ugrađene senzorske elemente za preopterećenje. Kad je duvač za sneg preopterećen, motor će automatski smanjiti brzinu i čučete da se glasnoća motora smanjila. Usporite korak ili smanjite širinu čišćenja, potom će brzina motora automatski nastaviti na svojoj normalnoj postavci. Ako ovaj postupak ne reši situaciju preopterećenja, senzor će automatski isključiti motor a LED indikator na duvaču za sneg će bljeskati narandžasto. Izvadite baterije iz duvača za sneg, sačekajte 10 sekundi, pa proverite da li ima zaglavljenog snega ili leda u svrdlu i na ploči. Ako bude neophodno, pratite uputstva za „Čišćenje zapušenog žleba”. Ponovo instalirajte baterije i ponovo pokrenite duvač za sneg.

ČIŠĆENJE ZAPUŠENOG ŽLEBA

⚠ UPOZORENJE: Uvek koristite **alatku za čišćenje žleba (A-8)** koja je priložena uz mašinu kao pribor, ne koristite šake.

ZAŠTITA OD VISOKE TEMPERATURE BATERIJE

Baterija će stvarati toplotu tokom rada. Toplota se rasipa sporije po toplom vremenu. Ako temperatura baterije prekorači 70 °C tokom rada, zaštitno kolo će odmah isključiti duvač za sneg da bi se baterija zaštitila od toplotnih oštećenja. Indikator statusa na duvaču za sneg će se isključiti; za detalje o LED na bateriji pogledajte odeljak „ZAŠTITA BATERIJE” u priručniku za rukovaoca baterije. Pustite žičani prekidač, sačekajte da se baterija ohladi približno na 67 °C, zatim ponovo pokrenite duvač za sneg.

SAVETI ZA RUKOVANJE

⚠ OPASNOST: Nikad ne koristite duvač za sneg na zaleđenim jezerima, rekama ili sličnim površinama. Ako se led polomi, moglo bi da dođe do smrti ili ozbiljne povrede.

⚠ OPASNOST: Nikad ne koristite duvač za sneg na krovu ili nekoj drugoj nestabilnoj podlozi, što može da dovede do smrti ili ozbiljne telesne povrede.

⚠ UPOZORENJE: Ne koristite duvač za sneg na ledu, što može da izazove klizanje i pad rukovaoca, dovodeći do možda ozbiljne telesne povrede.

⚠ UPOZORENJE: Ne nosite labavu odeću, šalove ili nakit. Mogu se zakačiti na pokretne delove i izazvati smrt ili ozbiljnu telesnu povredu.

⚠ UPOZORENJE: Držite sav izbacivani sneg usmeren dalje od svih električnih uređaja da biste smanjili rizik od smrti ili strujnog udara.

⚠ UPOZORENJE: Nikad ne usmeravajte duvač za sneg ili izlazni žleb u smeru ljudi ili kućnih ljubimaca.

Izbačeni sneg ili drugi predmeti mogu da izazovu ozbiljne telesne povrede.

⚠ UPOZORENJE: Vodite računa da na površini koju ćete čistiti nema kamenja, štapova, žica, šljunka i drugih predmeta koji mogu nehotično biti bačeni duvačem za sneg u bilo kom smeru i izazvati ozbiljne telesne povrede rukovaoca i drugih.

- Ako jedinica dođe u kontakt sa bilo kojom vrstom prepreke ili otpada tokom upotrebe, zaustavite duvač za sneg, izvadite baterije, uklonite začepljenje i pažljivo pregledajte jedinicu radi oštećenja pre nego što nastavite.

⚠ UPOZORENJE: Nikad ne posežite u izlazni žleb i ne stavljajte nijedan deo tela ispred duvača za sneg dok jedinica radi ili dok su baterije instalirane. Uvek se uverite da su se svi pokretni delovi zaustavili i da su baterije izvađene pre čišćenja bilo kakvih začepljenja. Nepoštovanje ovih uputstava može izazvati ozbiljne telesne povrede.

- Obratite pažnju na smer vetra pre započinjanja rada. Kad je moguće, izbacujte sneg u istom smeru u kom duvač vetar da biste sprečili da vam sneg bude bačen nazad u lice.
- Neki delovi duvača za sneg mogu da se zamrznu u ekstremnim vremenskim uslovima. Ne pokušavajte da rukujete jedinicom sa zamrznutim delovima.
- Kad završite, pustite motor da radi još nekoliko minuta da biste sprečili zamrzavanje pokretnih delova, a zatim okrenite dršku za okretanje žleba napred i nazad nekoliko puta da biste ga oslobodili od eventualnog nagomilavanja leda. Vodite računa da očistite sav sneg i led sa osnove žleba.
- U snežnim i hladnim uslovima, neke kontrole i pokretni delovi se mogu zamrznuti. Ne koristite prekomernu silu kad pokušavate da rukujete zamrznutim kontrolama. Ako imate poteškoća u rukovanju bilo kojom kontrolom ili delom, pokrenite mašinu kako je prikazano u odeljku „POKRETANJE/ZAUSTAVLJANJE DUVAČA ZA SNEG” i pustite je da radi nekoliko minuta.

ODRŽAVANJE

OPŠTE ODRŽAVANJE

Izbegavajte korišćenje rastvarača kada čistite plastične delove. Većina plastike je podložna oštećenjima od raznih tipova komercijalnih rastvarača i može se oštetiti njihovom upotrebom. Koristite čistu krpu da uklonite zemlju, prašinu, ulje, masnoću itd.

PODMAZIVANJE MAŠINE

Svi ležajevi u ovom proizvodu su podmazani dovoljnom količinom visokokvalitetnog lubrikanta za ceo radni vek jedinice u normalnim uslovima rukovanja. Stoga nije potrebno dodatno podmazivanje ležajeva.

ZAMENA I PODEŠAVANJE NAVLAKA ZA KLIZANJE

1. Izvadite baterije.
2. Ođvornite i skinite navrtnje, zaptivke i navlaku za klizanje sa vijaka (slika G1).
3. Zamenite navlaku za klizanje novom, ako je neophodno.
4. Visina navlaka za klizanje se može podesiti prema stvarnim snežnim uslovima bez kompletnog skidanja navrtnja; samo ih olabavite, podesite položaj navlake za klizanje i zatim ponovo zategnite (slika G2).

ZAMENA SMICARSKE IGLE

Smicarske igle se nalaze u osovini svrdla (slika H1). One pomažu u apsorpciji trenutnog gubitka obrtnog momenta kad svrdlo udari prepreku tokom rada i štite menjač brzina i motor od oštećenja.

H-1	Osovinna svrdla	H-2	Smicarska igla
-----	-----------------	-----	----------------

Za zamenu smicarskih igala, izvadite baterije, uklonite polomljenu smicarsku iglu iz osovine svrdla i zamenite je novim zavrtnjima.

NAPOMENA: Dve dodatne smicarske igle su smeštene na sklopu žleba; zamenite ih novima ako se originalne polome. (slika H2).

SKLADIŠTENJE DUVAČA ZA SNEG

⚠ OPREZ: Vodite računa da sav otopljeni sneg koji može da kaplje sa duvača za sneg bude pravilno obrisan da bi se sprečila opasnost od klizanja i pada.

- Izvadite baterije i uskladištite ih na bezbednom mestu van domašaja dece.

Pre skladištenja, obrišite svu vlagu, zemlju ili prljavštinu sa površine baterija.

- Obrišite duvač za sneg čistom, suvom krpom.
- Proverite da li su svi navrtnji, zavrtnji, dugmad, vijci itd. zategnuti.
- Pregledajte da li su pokretni delovi oštećeni, polomljeni i pohabani. Odnosite da se poprave svi oštećeni ili nedostajući delovi.
- Skladištite duvač za sneg u čistom, suvom, zatvorenom prostoru van domašaja dece.
- Ne skladištite u blizini korozivnih materijala, poput đubriva ili kamene soli.

Zaštita životne sredine



Ne odlažite električne uređaje kao nesortirani komunalni otpad, koristite specijalizovana mesta za prikupljanje otpada.

Obratite se lokalnoj upravi za informacije o dostupnim sistemima prikupljanja otpada.

Ako se električni aparati odlažu na deponije ili đubrišta, opasne supstance mogu da isure u podzemne vode i dospeju u lanac ishrane, nanoseći štetu vašem zdravlju i dobrobiti.

REŠAVANJE PROBLEMA

⚠ UPOZORENJE: Uvek izvadite baterije kad servisirate ili transportujete duvač za sneg. Uvek zaštitite ruke tako što ćete nositi rukavice kad radite bilo kakvo održavanje na svrdlu ili strugaču duvača za sneg.

PROBLEM	UZROK	SOLUTION
Duvač za sneg neće da se pokrene.	<ul style="list-style-type: none"> ■ Napunjenost baterije je niska. ■ Okidač svrdla nije pritisnut u trenutku kad LED indikator bljeska zeleno. ■ Svrdlo je zamrznuto zbog snega ili leda. ■ Baterija je pregrejana. LED indikator na bateriji bljeska narandžasto ili svetli crveno (pogledajte odeljak „ZAŠTITA OD VISOKE TEMPERATURE BATERIJE“ u ovom priručniku). 	<ul style="list-style-type: none"> ■ Napunite bateriju. ■ Pritisnite okidač svrdla dok LED indikator bljeska. Ako LED indikator prestane da bljeska, duvač za sneg neće reagovati na pritisakanje okidača svrdla. ■ Prvo izvadite baterije; pomoću priložene alatke za čišćenje žleba očistite sneg ili led koji ometa svrdlo. Ponovo pokrenite duvač za sneg. ■ Izvadite pregrejanu bateriju iz duvača za sneg i sačekajte da se baterija ohladi na približno 67°C, potom ponovo instalirajte bateriju i ponovo pokrenite duvač za sneg.
Motor je uključen ali se svrdlo ne okreće.	<ul style="list-style-type: none"> ■ Smicarska igla je polomljena. 	<ul style="list-style-type: none"> ■ Zamenite smicarsku iglu prateći odeljak „ZAMENA SMICARSKE IGLE“ u ovom priručniku.
Dugme za LED svetla ne reaguje na prvo pritisakanje.	<ul style="list-style-type: none"> ■ Proces interne samoprovere izaziva kratko kašnjenje odgovora na prvi pritisak dugmeta. 	<ul style="list-style-type: none"> ■ Pritisnite dugme za LED svetla i držite tokom 1 sekunde.
LED indikator na bateriji ostaje uključen nakon što svrdlo duvača za sneg prestane da radi ili nakon što se sistem sopstvenog pogona isključuje.	<ul style="list-style-type: none"> ■ Strujno kolo je u pripravnosti za sledeće ponovno pokretanje. LED će se automatski isključiti ako se duvačem za sneg ne rukuje tokom 5 do 10 minuta. 	<ul style="list-style-type: none"> ■ Samo ga ostavite ili izvadite baterije iz odeljka za baterije.

GARANCIJA

Posetite veb-lokaciju egopowerplus.eu za potpune uslove i odredbe EGO politike garancije.

PROČITAJTE UPUTSTVO U CIJELOSTI!

Predviđena upotreba: Uklanjanje snijega s područja kao što su ceste i pločnici.

⚠ UPOZORENJE! Prije upotrebe ovog alata pobrinite se da sva sigurnosna uputstva u ovom korisničkom priručniku, uključujući sve sigurnosne simbole kao što su “**OPASNOST**,” “**UPOZORENJE**,” i “**OPREZ**” pročitate s razumijevanjem. Zanemarivanje svih uputstava navedenih u nastavku može rezultirati strujnim udarom, požarom i/ili teškim tjelesnim povredama.

⚠ UPOZORENJE! Rukovanje električnim alatima može rezultirati odbacivanjem stranih predmeta u oči, što opet može izazvati teška oštećenja očiju. Prije početka rukovanja električnim alatom, uvijek nosite zatvorene zaštitne naočale ili zaštitne naočale s bočnim štitnicima ili prema potrebi i štitnik za cijelo lice. Preporučujemo nošenje sigurnosne maske proizvođača Wide Vision preko naočala, ili nošenje standardnih zaštitnih naočala s bočnim štitnicima.

SIGURNOSNI SIMBOLI



Simbol upozorenja



Radi smanjenja opasnosti od povreda, prije upotrebe ovog proizvoda korisnik treba s razumijevanjem pročitati ovaj korisnički priručnik.



Stopala i šake držite na udaljenosti.



Kada upotrebljavate ovaj proizvod, uvijek nosite zatvorene zaštitne naočale ili zaštitne naočale s bočnim štitnicima i štitnik za cijelo lice.



OPREZ! Nemojte zuriti u radnu lampu.



OPASNOST! — Isključite motor prije čišćenja kanala za izbacivanje. Radi smanjenja opasnosti od povreda, šake i stopala držite podalje od rotirajućih dijelova. Blokade se smiju čistiti samo nakon isključivanja motora i nikada šakama.



Držite stopala podalje od rotora.



Otpadni električni proizvodi ne smiju se odlagati s otpadom iz domaćinstva. Onesite ih u ovlašteni centar za reciklažu.



Zagarantovani nivo zvučne snage. U skladu s Direktivom Evropske unije.



Ovaj proizvod je u skladu s primjenjivim Direktivama EU.



Istosmjerna struja



Ovaj proizvod je u skladu s važećim zakonodavstvom Ujedinjenog Kraljevstva.

kg Kilogram

V Volt

IPX4 Zaštita od vodenih mlazova

BS

222

AKUMULATORSKI ČISTAČ SNIJEGA S LITIJ-IONSKOM BATERIJOM OD 56 V — SNT2400E

TEHNIČKI PODACI

Napon	56 V	
Širina čišćenja	61 cm	
Visina prihvata	51 cm	
Veličina točka	38 cm	
Masa	68 kg	
Preporučena radna temperatura	-20°C - 10°C	
Preporučena temperatura skladištenja	-20°C - 70°C	
Izmjereni nivo zvučne snage L_{WA}	96,61 dB(A) K=1,6 dB(A)	
Nivo zvučnog pritiska kod uha rukovaoca L_{PA}	82,5 dB(A) K=4 dB(A)	
Zagarantovani nivo zvučne snage L_{WA} (izmjereno u skladu s Direktivom 2000/14/EZ)	98 dB(A)	
Procjena vibracija a_{ii} :	Lijevi rukohvat	0,3 m/s ² K=1,5 m/s ²
	Desni rukohvat	0,4 m/s ² K=1,5 m/s ²

OPIS

UPOZNAJTE SVOJ ČISTAČ SNIJEGA (sl. A1 i A2)

- Bočna vodilica
- Poklopac baterije
- Pretinac za baterije
- Točkovi
- Zaštitna stopica
- Prednja LED svjetla
- Trup
- Alat za čišćenje kanala
- Kanal za izbacivanje snijega
- Deflektor kanala
- Stražnji rukohvat
- LED bočna svjetla
- Okidač puža
- Glavni rukohvat
- Ručica za regulaciju brzine puža
- Sigurnosno dugme
- Ručica za regulaciju brzine samostalnog pogona
- Okidač samostalnog pogona
- Glavni rukohvat
- Dugme za LED svjetla

- LED svjetlosni indikator
- Ručica za rotaciju kanala
- Ručica deflektora kanala
- Puž
- Šipka strugača
- Dugme za oslobađanje baterije
- Električni kontakti

SADRŽAJ PAKOVANJA (SL. A3)

SASTAVLJANJE

MONTAŽA/SKIDANJE TOČKA

- Radi lakše montaže, bacač snijega pozicionirajte u skladu sa sl. B.
- S osovine skinite vanjsku brtvu i klin za zabavljanje točka.
- Postavite točak i vanjsku brtvu. Zabravite ih s klinom za zabavljanje točka.

Napomena! Provjerite točak prije postavljanja kako biste se uvjerali da je strelica točka usmjerena naprijed (sl. B).

B-1	Vanjska brtva	B-2	Klin za zabavljanje točka
-----	---------------	-----	---------------------------

POSTAVLJANJE SKLOPA RUKOHVATA

NAPOMENA! Sklop rukohvata potrebno je postaviti prije rukovanja čistačem snijega (sl. C1).

C-1	Okretno dugme za zabavljanje	C-2	Sklop rukohvata
-----	------------------------------	-----	-----------------

Otpustite četiri zaporna okretna dugmeta i izvucite svorne vijke. Sačuvajte ih za ponovno sastavljanje. Odaberite ugodan radni položaj prema vašoj visini (sl. C2). Sklop rukohvata moguće je namjestiti na tri različite visine. (sl. C3 i sl. C4 i sl. C5)

Gornji radni položaj kao na sl. C3

Srednji radni položaj kao na sl. C4

Donji radni položaj kao na sl. C5

POSTAVLJANJE SKLOPA KANALA ZA IZBACIVANJE

SNIJEGA

⚠ UPOZORENJE! Nemojte nikada upotrebljavati čistač snijega bez postavljenog kanala za izbacivanje snijega.

1. Otpustite okretno dugme na unutrašnjem potpornom stubu i uklonite svorni vijak (sl. D1). Sačuvajte okretno dugme i svorni vijak za ponovno postavljanje.

D-1	Kanal za izbacivanje snijega	D-2	Vanjski potporni stub
D-3	Okretno dugme	D-4	Unutrašnji potporni stub
D-5	Postolje	D-6	Svorni vijak

- Podignite sklop kanala za izbacivanje snijega, uravnajte vanjski potporni stub s unutrašnjim potpornim stubom kako biste vanjski potporni stub gurnuli u ležište. Uvjerite se da je kanal za izbacivanje snijega uležišten na kućištu (sl. D2).
- Sklop kanala za izbacivanje snijega pričvrstite pripremljenim okretnim dugmetom i svornim vijkom.
- Ugrađeni kablovski regulator omogućuje promjenu snage kretanja ručice za rotaciju kanala. Snaga se može smanjiti laganim okretanjem ugrađenog kablovskog regulatora u smjeru suprotnom smjeru kretanja kazaljki na satu (sl. D2). Suprotno tome, snaga se povećava okretanjem ručice u suprotnom smjeru. Napominjemo da će se kanal za izbacivanje snijega tokom upotrebe pomicati lijevo/desno ako je previše otpušten.

RAD

POSTAVLJANJE/SKIDANJE KOMPLETA BATERIJA

KOMPLET BATERIJA NAPUNITE PRIJE PRVE UPOTREBE.

Proizvod upotrebljavajte samo s kompletima baterija i punjačima koji su navedeni na sl. A4.

NAPOMENA! Za bolji radni učinak preporučujemo da proizvod upotrebljavate s dvjema EGO ARC litijskim baterijama od 56 V kapaciteta 5,0 Ah ili s dvjema EGO ARC litijskim baterijama od 56 V većeg kapaciteta.

Kada se ne upotrebljavaju, komplet baterija od 56 V potrebno je skladištiti u zatvorenom području gdje temperatura ne pada ispod -20 °C. Optimalna temperatura punjenja je od 5 °C do 40 °C.

Postavljanje

Komplet baterija gurajte u pretinac za baterije dok ne začujete zvuk "klikanja". (sl. E1)

Skidanje

Pritisnite dugme za oslobađanje baterije u pretincu za baterije. (sl. E2)

NAPOMENA! Prije početka rada uvjerite se da je zasun na čistaču snijega ulegao u svoje mjesto i da je komplet baterija pričvršćen na jedinicu.

POKRETANJE/ZAUSTAVLJANJE ČISTAČA SNIJEGA

⚠ OPREZ! Nemojte pokušavati zaobilaziti funkciju sigurnosnog dugmeta.

⚠ UPOZORENJE! Kada upotrebljavate čistač snijega, pobrinite se da druge osobe i kućni ljubimci ostanu na udaljenosti od najmanje 30 m.

⚠ UPOZORENJE! Puž će se nastaviti okretati nekoliko sekundi nakon isključivanja čistača snijega. Prije ponovnog pokretanja pričekajte da se puž prestane okretati.

NAPOMENA! Čistač snijega nemojte naglo isključiti pa uključiti.

Pokretanje čistača snijega

- Uvjerite se da je sklop rukohvata dobro podešen na odgovarajuću visinu, da je sklop kanala za bočno izbacivanje snijega propisno postavljen i da su kanal i deflektor kanala namješteni u odgovarajući položaj.
- Umetnite komplet baterija u čistač snijega i zatvorite poklopac baterije.
- Pritisnite **sigurnosno dugme (A-16)**, držite ga pritisnutim 1 sekundu i **LED svjetlosni indikator (A-21)** zatreperit će u zelenoj boji. Za uključivanje čistača snijega dok LED svjetlosni indikator treperi pritisnite **okidač za puž (A-13)**.

NAPOMENA! Čistač snijega može se uključiti pomoću okidača za puž samo kada LED svjetlosni indikator treperi.

NAPOMENA! Čistač snijega možda se neće propisno pokrenuti ako je temperatura baterije -20 °C ili niža. Ako se čistač snijega ne pokrene, izvadite bateriju iz čistača snijega i pričekajte 10 minuta ili duže da se baterija zagrije u zatvorenom prostoru. Vratite bateriju u čistač snijega i pokušajte ponovo.

Zaustavljanje čistača snijega

Potpuno otpustite okidač za puž.

NAPOMENA! Električna kočnica u mehanizmu automatskog kočenja zaustavit će okretanje puža u roku 3 sekunde po otpuštanju okidača za puž.

Sistem varijabilne brzine puža

Brzinu puža moguće je podesiti radi kontrole daljine odbacivanja.

Za povećanje/smanjenje brzine gurnite ručicu za regulaciju brzine puža (A-15) prema naprijed/unazad.

Sistem samostalnog pogona s varijabilnom brzinom

Čistač snijega opremljen je funkcijom samostalnog pogona s varijabilnom brzinom. Ona ne zavisi od okretanja puža.

Za upotrebu sistema samostalnog pogona bez okretanja puža, pritisnite **okidač samostalnog pogona (A-18)** na rukohvatu. Za povećanje brzine, pomaknite **ručicu za regulaciju brzine samostalnog pogona (A-17)** prema naprijed. Za smanjenje brzine, pomaknite ručicu za regulaciju brzine samostalnog pogona unazad.

Za isključivanje funkcije samostalnog pogona, otpustite okidač samostalnog pogona.

Za pomjeranje čistača snijega unazad, najprije zaustavite funkciju samostalnog pogona. Povucite ručicu za regulaciju brzine samostalnog pogona u položaj **UNAZAD**, a zatim pritisnite okidač samostalnog pogona.

NAPOMENA! Kada s čistačem snijega radite unazad sa samostalnim pogonom, brzina je fiksna i nije je moguće promijeniti u brzinu kretanja unazad s ručicom za regulaciju brzine.

NAPOMENA! Čistač snijega nije moguće prebaciti na kretanje unazad kada ga funkcija samostalnog pogona pokreće prema naprijed.

POVEZANOST OKIDAČA ZA PUŽ I OKIDAČA SAMOSTALNOG POGONA

Kada istovremeno pritisnete **okidač samostalnog pogona (A-18)** i **okidač za puž (A-13)**, otpustite okidač za puž (desna ruka) i okidač za puž ostat će aktiviran. Ova funkcija omogućuje vam podešavanje brzine puža, brzine samostalnog pogona i smjer izbacivanja snijega dok se puž okreće.

Za zaustavljanje puža, otpustite okidač samostalnog pogona i zaustavit će se funkcija puža i funkcija samostalnog pogona.

PODEŠAVANJE KANALA I DEFLEKTORA

Kanal se može podesiti tako da mijenja smjer i daljinu odbacivanja snijega kako bi vam se olakšalo uklanjanje snijega s jednog područja na drugo.

Smjer uklanjanja snijega moguće je podesiti ulijevo za 100° i udesno za 100°.

Za okretanje kanala ulijevo/udesno, povucite **ručicu za rotaciju kanala (A-22)** ulijevo/udesno.

Daljina odbacivanja čistača snijega podešava se pomicanjem deflektora kanala prema gore ili dolje.

Za povećanje ili smanjenje daljine odbacivanja snijega, povucite **ručicu deflektora kanala (A-23)** unazad ili prema naprijed kako biste podigli ili spustili **deflektor kanala (A-10)**. Kada deflektor kanala dođe u željeni položaj, pomaknite ručicu deflektora kanala u zaporni utor (F-1) (sl. F).

RAD LED BOČNIH SVJETALA (A-12) I PREDNJIH SVJETALA (A-6)

Za uključivanje bočnih i prednjih svjetala jednom pritisnite dugme za LED svjetla.

Za isključivanje bočnih svjetala, dvaput pritisnite dugme za LED svjetla.

Za isključivanje svih svjetala, triput pritisnite dugme za LED svjetla.

NAPOMENA! Sva LED svjetla automatski će se isključiti ako se čistača snijega ne počne upotrebljavati u roku od 5 minuta.

LED SVJETLOSNI INDIKATOR (A-21) NA ČISTAČU SNIJEGA

Čistač snijega opremljen je LED svjetlosnim indikatorom koji ukazuje na nivo napunjenosti kompleta baterije i radno stanje čistača snijega.

LED SVJETLOSNI INDIKATOR	Značenje	Radnja
Svijetli zeleno.	Čistač snijega radi propisno; svaka baterija ima najmanje 15% punjenja.	Nije primjenjivo.
Treperi crveno.	Baterija je skoro prazna.	Zaustavite čistač snijega i napunite komplet baterija.
Naizmjenično treperi zeleno i crveno.	Greška	Obratite se centru korisničke službe proizvođača EGO.
Svijetli narandžasto.	Čistač snijega zaustavlja se zbog pregrijavanja.	Izvadite baterije iz čistača snijega, premjestite ih u hlad i pričekajte najmanje 15 minuta da se ohlade.
Treperi narandžasto.	Čistač snijega je preopterećen.	Najprije izvadite komplet baterija, a zatim provjerite i očistite ako se snijeg nakupio ispod trupa. Usporite tempo kada premješate snijeg. Ako time niste riješili problem, obratite se centru korisničke službe proizvođača EGO.

BS

<p>OFF i LED na bateriji trepere.</p>	<p>Pregrijavanje baterije. (Pogledajte odjeljak "ZAŠTITA BATERIJE OD VISOKIH TEMPERATURA" u ovom priručniku.)</p>	<p>Izvadite bateriju iz čistača snijega i pričekajte da se komplet baterija ohladi na temperaturu od otprilike 67°C, zatim vratite bateriju i ponovo pokrenite čistač snijega.</p>
---------------------------------------	---	--

ZAŠTITA ČISTAČA SNIJEGA OD PREOPTEREĆENJA

Vaš čistač snijega ima ugrađene elemente osjetljive na preopterećenje. Kada se čistač snijega preoptereći, motor će automatski smanjiti brzinu i čut ćete kako se smanjuje snaga motora. Usporite tempo ili smanjite širinu čišćenja i brzina motora automatski će se vratiti na svoju standardnu postavku. Ako s ovim postupkom ne riješite problem s preopterećenjem, senzor će automatski isključiti motor, a LED svjetlosni indikator na čistaču snijega treperit će narandžasto. Izvadite komplet baterija iz čistača snijega, pričekajte 10 sekundi i provjerite da li se snijeg ili led zaglavio u pužu i trupu. Ako je potrebno, slijedite upute za "Čišćenje začepljenog kanala". Stavite baterije i ponovo pokrenite čistač snijega.

ČIŠĆENJE ZAČEPLJENOG KANALA

⚠ UPOZORENJE! Uvijek upotrebljavajte alat za čišćenje kanala (A-8) koji je pričvršćen na mašini kao pribor, a ne šake.

ZAŠTITA BATERIJE OD VISOKIH TEMPERATURA

Komplet baterija stvara toplotu tokom upotrebe. Toplota se sporije širi kada je toplo vrijeme. Ako temperatura baterije tokom rada prekorači 70 °C, zaštitni krug će odmah isključiti čistač snijega kako bi se komplet baterija zaštitio od oštećenja uslijed toplote. Indikator stanja na čistaču snijega isključit će se, a za više informacija o LED svjetlosnom indikatoru na bateriji pogledajte odjeljak 'ZAŠTITA BATERIJE' u korisničkom priručniku baterije. Otpustite sigurnosnu sklopku, pričekajte da se komplet baterija ohladi na temperaturu od otprilike 67 °C, a zatim ponovo pokrenite čistač snijega.

SAVJETI ZA RAD

⚠ OPASNOST! Čistač snijega nemojte nikada upotrebljavati na zamrznutim jezerima, rijekama ili sličnim površinama. Pucanje leda može uzrokovati smrt ili teške povrede.

⚠ OPASNOST! Čistač snijega nemojte nikada upotrebljavati na krovnim terasama ili drugim nestabilnim površinama jer to može rezultirati smrću ili teškim tjelesnim

povredama.

⚠ UPOZORENJE! Čistač snijega nemojte upotrebljavati na ledu jer to može uzrokovati posklizavanje i pad rukovaoca uz moguće teške tjelesne povrede.

⚠ UPOZORENJE! Nemojte nositi široku odjeću, šalove ili nakit. Mogu ih zahvatiti pokretni dijelovi, što može rezultirati smrću ili teškim tjelesnim povredama.

⚠ UPOZORENJE! Prilikom odbacivanja snijeg usmjerite podalje od svih električnih uređaja kako biste izbjegli rizik od smrti ili tjelesnih povreda od strujnog udara.

⚠ UPOZORENJE! Čistač snijega ili kanal za izbacivanje nemojte nikada usmjeravati prema ljudima ili kućnim ljubimcima. Odbačeni snijeg ili drugi predmeti mogu nanijeti teške tjelesne povrede.

⚠ UPOZORENJE! Uvjerite se da je područje za čišćenje očišćeno od kamenja, štapova, žica, šljunka i drugih predmeta koje bi čistač snijega mogao slučajno odbaciti u bilo kojem smjeru i tako nanijeti teške tjelesne povrede rukovaocu i drugim osobama.

- Ako jedinica tokom upotrebe dođe u kontakt s bilo kakvom vrstom prepreke ili krhotina, zaustavite čistač snijega, izvadite komplet baterija, uklonite prepreku i pažljivo pregledajte jedinicu na postojanje oštećenja prije nego nastavite s radom.

⚠ UPOZORENJE! Nemojte nikada zahvatiti u kanal za izbacivanje ili stavljati bilo koji dio tijela ispred čistača snijega kada jedinica radi ili kada je postavljen komplet baterija. Prije čišćenja prepreka uvijek se uvjerite jesu li se pokretni dijelovi zaustavili i je li komplet baterija izvađen. Zanemarivanje ovih uputa može rezultirati teškim tjelesnim povredama.

- Prije početka rada obratite pažnju na smjer vjetra. Kada je moguće, izbacujte snijeg u smjeru vjetra kako biste izbjegli vraćanje izbačenog snijega u lice.
- Neki dijelovi čistača snijega mogu se smrznuti u ekstremnim vremenskim uslovima. Nemojte pokušavati da upotrebljavate jedinicu ako su dijelovi smrznuti.
- Kada završite s radom, neka motor radi dodatno nekoliko minuta kako biste izbjegli smrzavanje pokretnih dijelova, a zatim nekoliko puta okrenite ručicu za rotaciju kanala prema nazad i naprijed kako biste je oslobodili od nakupina leda. Pobrinite se da očistite sav snijeg i led s kućišta kanala.
- U snježnim i hladnim uslovima neki se upravljački elementi i pokretni dijelovi mogu smrznuti. Nemojte primjenjivati prekomjernu silu u pokušaju rukovanja smrznutim upravljačkim elementima. Ako imate poteškoća u rukovanju upravljačkim elementima ili

dijelovima, pokrenite mašinu kako je prikazano u odjeljku “**POKRETANJE/ZAUSTAVLJANJE ČISTAČA SNIJEGA**” i neka mašina radi nekoliko minuta.

ODRŽAVANJE

OSNOVNO ODRŽAVANJE

Kada čistite plastične dijelove, izbjegavajte upotrebljavati rastvore. Mnoge plastike mogu se oštetiti različitim vrstama komercijalnih rastvora i mogu se oštetiti njihovom upotrebom. Za uklanjanje prljavštine, prašine, ulja, masti i sl. upotrebljavajte čistu krpu.

PODMAZIVANJE MAŠINE

Svi ležajevi u ovom proizvodu podmazani su dovoljnom količinom maziva visoke kvalitete za cijeli radni vijek jedinice u normalnim radnim uslovima. Daljnje podmazivanje ležajeva stoga nije potrebno.

ZAMJENA I PODEŠAVANJE ZAŠTITNIH STOPICA

1. Izvadite baterije.
2. Otpustite i skinite matice, brtve i zaštitnu kapicu s vijaka (sl. G1).
3. Ako je potrebno, stavite novu zaštitnu kapicu.
4. Visina zaštitnih kapica može se podešavati prema trenutnim snježnim uslovima bez potpunog uklanjanja matica. Matice samo otpustite, namjestite položaj zaštitne stopice i zatim ih ponovo pritegnite (sl. G2).

ZAMJENA SIGURNOSNOG KLINA

Sigurnosni klinovi nalaze se u osovini puža (sl. H1). Pomažu u apsorpciji trenutnog zakretnog momenta u tački zaustavljanja kada puž tokom rada udari o prepreke i štiti prijenosnik i motor od oštećenja.

H-1	Osovina puža	H-2	Sigurnosni klin
-----	--------------	-----	-----------------

Za zamjenu sigurnosnih klinova, izvadite baterije, izvadite polomljeni sigurnosni klin iz osovine puža i zamijenite ih novim svornim vijcima.

NAPOMENA! Dva dodatna sigurnosna klina smještena su na sklopu kanala. Zamijenite ih novima ako su originalni polomljeni. (sl. H2)

SKLADIŠTENJE ČISTAČA SNIJEGA

⚠ OPREZ! Pobrinite se da propisno obrišete sav otopljeni snijeg koji može kapati sa čistača snijega kako biste izbjegli opasnost od poklizavanja i pada.

- Izvadite komplet baterija i skladištite ga na sigurno mjesto izvan dohvata djece.

Prije skladištenja, s baterije obrišite vlagu, prljavštinu ili nečistoće.

- Obrišite čistač snijega čistom, suhom krpom.
- Provjerite jesu li sve matice, svorni vijci, okretna dugmad, vijci, itd. dobro pritegnuti.
- Pregledajte jesu li pokretni dijelovi oštećeni, polomljeni i istrošeni. Popravite sve oštećene dijelove ili dijelove koji nedostaju.
- Čistač snijega skladištite na čistom, suhom, zatvorenom mjestu izvan dohvata djece.
- Čistač snijega nemojte skladištiti u blizini korozivnih materijala kao što su gnojiva ili kamena sol.

Zaštita životne sredine



Električne uređaje nemojte zbrinjavati kao nesortirani komunalni otpad nego se koristite zasebnim mjestima za sakupljanje takve vrste otpada.

Za informacije o dostupnim sistemima prikupljanja otpada obratite se lokalnoj nadležnoj službi.

Ako se električni uređaji odlažu na odlagališta otpada ili deponije, opasne tvari mogu iscurjeti u podzemne vode i dospjeti u lanac ishrane i negativno uticati na zdravlje i dobrobit ljudi.

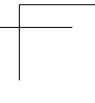
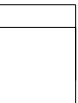
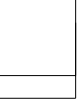
OTKLANJANJE PROBLEMA

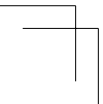
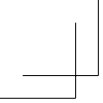
⚠ UPOZORENJE! Prije radova servisiranja ili transporta čistača snijega uvijek izvadite komplet baterija. Kada obavljate radove održavanja na pužu ili strugaču čistača snijega, uvijek zaštitite ruke nošenjem rukavica.

PROBLEM	UZROK	RJEŠENJE
Čistač snijega se ne pokreće.	<ul style="list-style-type: none"> ■ Napunjenost baterije je niska. ■ Okidač za puž nije pritisnut u trenutku kada LED svjetlosni indikator treperi zeleno. ■ Puž je smrznut zbog snijega ili leda. ■ Baterija je pregrijana. LED svjetlosni indikator na bateriji treperi narandžasto ili svijetli crveno (pogledajte odjeljak "ZAŠTITA BATERIJE OD VISOKIH TEMPERATURA" u ovom priručniku). 	<ul style="list-style-type: none"> ■ Napunite bateriju. ■ Pritisnite okidač za puž kada LED svjetlosni indikator treperi. Ako LED svjetlosni indikator prestane treperiti, čistač snijega neće reagovati na pritisak na okidač za puž. ■ Najprije izvadite komplet baterija, upotrijebite isporučeni alat za čišćenje kanala i očistite snijeg ili led iz puža. Ponovo pokrenite čistač snijega. ■ Izvadite pregrijanu bateriju iz čistača snijega i pričekajte da se komplet baterija ohladi na temperaturu od otprilike 67 °C, zatim vratite bateriju i ponovo pokrenite čistač snijega.
Motor je uključen, ali se puž ne uključuje.	<ul style="list-style-type: none"> ■ Sigurnosni klin je polomljen. 	<ul style="list-style-type: none"> ■ Zamijenite sigurnosni klin prema uputama iz odjeljka "ZAMJENA SIGURNOSNOG KLINA" u ovom priručniku.
Dugme za LED svjetla je neosjetljivo na prvi pritisak.	<ul style="list-style-type: none"> ■ Interni postupak samoprovjere uzrokuje malo odgađanje odziva na prvi pritisak na tipku. 	<ul style="list-style-type: none"> ■ Pritisnite dugme za LED svjetla i držite ga pritisnutim 1 sekundu.
LED svjetlosni indikator na bateriji i dalje svijetli nakon što puž čistača snijega prestane raditi ili nakon što se sistem samostalnog pogona isključi.	<ul style="list-style-type: none"> ■ Električni krug je u stanju pripravnosti za sljedeće ponovno pokretanje. LED svjetla automatski će se isključiti ako se čistač snijega ne upotrebljava 5 do 10 minuta. 	<ul style="list-style-type: none"> ■ Jednostavno ga ostavite ili izvadite baterije iz pretinca za baterije.

GARANCIJA

Za sve odredbe i uslove politike garancije proizvođača EGO posjetite internetsku stranicu egopowerplus.eu.





استكشاف الأخطاء وإصلاحها

تحذير: احرص دائماً على خلع مجموعة (مجموعات) البطارية عند إجراء أعمال الصيانة على منفاح الثلج أو نقله. احرص دائماً على حماية يديك عن طريق ارتداء قفازات عند إجراء أي أعمال صيانة على بريمة منفاح الثلج أو المكشطة.

المشكلة	السبب	الحل
لا يمكن بدء تشغيل منفاح الثلج.	<ul style="list-style-type: none"> ■ شحن البطارية منخفض. ■ لم يتم الضغط على المفتاح الزنبركي للبريمة في وقت وميض مؤشر LED باللون الأخضر. ■ البريمة متجمدة بالثلج أو الجليد. ■ البطارية ساخنة للغاية. مؤشر LED الموجودة بالبطارية يومض باللون البرتقالي أو يلمع باللون الأحمر (راجع قسم «الحماية ضد الارتفاع الزائد في درجة حرارة البطارية» من هذا الدليل). 	<ul style="list-style-type: none"> ■ اشحن البطارية. ■ اضغط على المفتاح الزنبركي للبريمة أثناء وميض مؤشر LED. إذا توقف مؤشر LED عن الوميض، لن يستجيب منفاح الثلج للضغط على المفتاح الزنبركي للبريمة. ■ اخلع مجموعة (مجموعات) البطارية أولاً، واستخدم أداة تنظيف الأنابيب المرفقة في تنظيف الثلج أو الجليد الذي يعيق البريمة. أعد تشغيل منفاح الثلج. ■ اخلع البطارية الساخنة من منفاح الثلج، وانتظر إلى أن تبرد مجموعة البطارية وصولاً إلى حوالي 67 درجة مئوية، ثم أعد تركيب البطارية، وأعد تشغيل منفاح الثلج.
المحرك يعمل، ولكن البريمة لا تعمل.	<ul style="list-style-type: none"> ■ مسمار البريمة مكسور. 	<ul style="list-style-type: none"> ■ استبدل مسمار البريمة وفقاً للقسم «استبدال مسمار البريمة» من هذا الدليل.
لا يستجيب الزر المضبي للضغط الأولى.	<ul style="list-style-type: none"> ■ عملية الفحص الذاتي الداخلي تتسبب في تأخر طفيف عند الاستجابة للضغط الأولى. 	<ul style="list-style-type: none"> ■ اضغط على زر كشافات LED مع التثبيت لمدة ثانية واحدة.
مؤشر LED الموجود في البطارية يظل مضاءً بعد توقف بريمة منفاح الثلج عن العمل أو إطفاء نظام الدفع الذاتي.	<ul style="list-style-type: none"> ■ الدائرة الكهربائية في وضع الاستعداد لإعادة التشغيل القادمة. سينطفئ مؤشر LED تلقائياً إذا لم يتم تشغيل منفاح الثلج خلال 5 إلى 10 دقائق. 	<ul style="list-style-type: none"> ■ ما عليك سوى تركه أو خلع البطارية من حجيرة البطارية.

الضمان

تفضل زيارة الموقع الإلكتروني egopowerplus.eu للتعرف على الشروط والأحكام الكاملة الخاصة بسياسة ضمان EGO.

استبدال وضبط القواعد المانعة للانزلاق

1. اخلع البطاريات.
2. فك الصواميل والجوانات والقواعد المانعة للانزلاق من المسامير (الشكل G1) واخلعها.
3. استبدل القاعدة المانعة للانزلاق بأخرى جديدة، إذا لزم الأمر.
4. يمكن ضبط ارتفاع القاعدة المانعة للانزلاق وفقاً لحالة الثلج الحالية دون الحاجة لفك الصواميل بالكامل، فما عليك سوى فكهم قليلاً، وضبط وضع القاعدة المانعة للانزلاق، ثم إعادة ربطهم بإحكام (الشكل G2).

استبدال مسمار البريمة

مسامير البريمة موجودة في عمود البريمة (الشكل H1). وهي تساعد في امتصاص عزم الدوران الإيجابي الفوري عند ارتطام البريمة بعائق أثناء العمل، وتحمي صندوق التروس والمحرك من التعرض للتلف.

H-1	عمود البريمة	H-2	مسمار البريمة
-----	--------------	-----	---------------

لاستبدال مسامير البريمة، اخلع البطاريات، واخلع مسمار البريمة المكسور من عمود البريمة، واستبدله بمسامير جديدة.

ملاحظة: هناك مسمارا بريمة إضافيان مخزان في تجميعية الأنبوب، استخدم أحدهما كبديل للمسمار الأصلي في حال انكساره (الشكل H2).

تخزين منفاخ الثلج

تنبيه: احرص على مسح جميع الثلج الذائب الذي قد يتساقط من منفاخ الثلج جيداً لمنع خطر الانزلاق أو السقوط.

■ اخلع مجموعة (مجموعات) البطارية وخرنها في مكان آمن بعيداً عن متناول أيدي الأطفال.

قبل التخزين، امسح أي رطوبة أو أوساخ أو عوالق عن منطقة البطارية.

- امسح منفاخ الثلج بقطعة قماش جافة نظيفة.
- تأكد من ربط جميع الصواميل والمسامير الملولبة والبكرة والمسامير وما شابههم.
- افحص الأجزاء المتحركة بحثاً عن أي علامات للتلف أو الانكسار أو التآكل. قم بإجراء الإصلاحات على أي أجزاء تالفة أو مفقودة.
- خزن منفاخ الثلج في مكان مغلق جاف نظيف بعيداً عن متناول أيدي الأطفال.
- ولا تخزنه بالقرب من المواد المسببة للتآكل، مثل السماد أو الملح الصخري.

حماية البيئة

لا تتخلص من الأجهزة الكهربائية كنفائية غير مفروزة، بل توجه بها إلى مرافق جمع وفصل النفايات.

تواصل مع الجهات الحكومية المحلية للتعرف على المعلومات المتعلقة بأنظمة جمع النفايات المتاحة. إذا تم التخلص من الأجهزة الكهربائية في أكوام القمامة أو مقلب النفايات، قد تتسرب مواد خطيرة في المياه الجوفية وتصل إلى السلسلة الغذائية، وهو ما يضر بالصحة والبيئة.



تحذير: لا تستخدم منفاخ الثلج على الجليد الذي قد يتسبب في انزلاق مشغل الآلة أو سقوطه، ما قد يؤدي إلى احتمال التعرض لإصابة شخصية.

تحذير: لا ترتد ملابس أو أوشحة أو مجوهرات غير ثابتة. لأنها قد تنشب في الأجزاء المتحركة مسببة في الوفاة أو التعرض لإصابات شخصية خطيرة.

تحذير: احتفظ بجميع الثلج الذي تم تفريره بعيداً عن جميع الأجهزة الكهربائية للحد من خطر حدوث صعق كهربائي أو صدمة كهربائية.

تحذير: لا تقم أبداً بتوجيه منفاخ الثلج أو أنبوب التفريغ ناحية الأشخاص أو الحيوانات الأليفة. لأن الثلج المقذوف أو الأشياء الأخرى قد تتسبب في إصابات شخصية خطيرة.

تحذير: تأكد من خلو المنطقة التي ستقوم بتنظيفها من الأحجار والعصي والأسلاك والحصى والأشياء الأخرى التي قد تتطاير دون قصد بفعل منفاخ الثلج في أي اتجاه مسببة في وقوع إصابات شخصية خطيرة لمشغل الآلة والأشخاص الآخرين.

■ إذا لامست الآلة أي نوع من العوالق أو العوالق أثناء الاستخدام، أوقف منفاخ الثلج، واخلع مجموعة (مجموعات) البطارية، وتخلص من العائق، وافحص الوحدة بعناية بحثاً عن أي علامات للتلف قبل المتابعة.

تحذير: لا تمد يدك في داخل أنبوب التفريغ أو تضع أي جزء من جسمك أمام منفاخ الثلج أثناء تشغيل الوحدة أو عند تركيب مجموعة (مجموعات) البطارية. احرص دائماً على التأكد من توقف جميع الأجزاء المتحركة، وأن مجموعة (مجموعات) البطارية قد تم خلعها قبل التخلص من أي عوالق. لأن عدم اتباع هذه التعليمات قد يؤدي إلى وقوع إصابات شخصية خطيرة.

■ انتبه لاتجاه الرياح قبل البدء. وإن أمكن، قم بتفريغ الثلج في نفس اتجاه الرياح لمنع الثلج من التناثر عائداً ناحية وجهك.

■ قد تتعرض بعض أجزاء منفاخ الثلج للتجمد في ظل ظروف الطقس القاسية. لا تحاول تشغيل الوحدة وهناك أجزاء منها متجمدة.

■ عند الانتهاء من العمل، اترك المحرك يدور لعدة دقائق إضافية لمنع الأجزاء المتحركة من التجمد، وبعد ذلك، أدر مقبض أنبوب التوجيه الدوار للخلف وللأمام عدة مرات كي تحرره من أي تراكم للثلج. احرص على تنظيف أي ثلج أو جليد عن قاعدة الأنبوب.

■ في ظروف الطقس الجليدية، قد تتعرض بعض أدوات التحكم والأجزاء المتحركة للتجمد. لا تستخدم القوة المفرطة عند محاولة تشغيل أدوات التحكم المتجمدة. إذا واجهتك صعوبات أثناء تشغيل أي أداة تحكم أو جزء من الأجزاء، أبداً تشغيل الآلة وفقاً لقسم «بدء تشغيل/إيقاف منفاخ الثلج» الموضح، ودعها تعمل لعدة دقائق.

الصيانة

الصيانة العامة

تجنب استخدام المنظفات عند تنظيف الأجزاء البلاستيكية. غالبية المكونات البلاستيكية تكون سريعة التأثر بالأنواع المختلفة للمنظفات الموجودة بالسوق، وقد تتلف نتيجة استخدامها عليها. استخدم قطعة قماش نظيفة لإزالة الأوساخ والأتربة والزيت والشحم وما شابههم.

تشحيم الآلة

ينبغي تشحيم جميع كراسي التحميل (البلي) الموجودة في هذا المنتج بكمية مناسبة من شحم تزيق عالي الدرجة لجعل الجهاز يعمل لعمر أطول تحت ظروف التشغيل الطبيعية. ومن ثم، لا تكون هناك حاجة لتشحيم كراسي التحميل (البلي) بعد ذلك.

<p>قم أولاً ببلع مجموعة البطارية، ثم افحص المنتج ونظفه إذا كان هناك تلج متجمع أسفل ظهر الركوب. أبطئ وتبرتك عند نقل التلج. إذا لم يُفح ذلك، يُرجى التواصل مع مركز خدمة العملاء بشركة EGO.</p>	<p>هناك حمل زائد على منفخ التلج.</p>	<p>برتقالي وامض</p>
<p>اخلع البطارية من منفخ التلج، وانتظر إلى أن تبرد مجموعة البطارية وصولاً إلى حوالي 67 درجة مئوية، ثم أعد تركيب البطارية، وأعد تشغيل منفخ التلج.</p>	<p>هناك سخونة مفرطة في البطارية. (راجع قسم «الحماية ضد الارتفاع الزائد في درجة حرارة البطارية» في هذا الدليل)</p>	<p>مطفاً ولمبة LED الموجودة بالبطارية تومض</p>

الحماية ضد الحمل الزائد على منفخ التلج

منفخ التلج مجهز بمفلات داخلية لاستشعار الحمل الزائد. عند وجود حمل زائد على منفخ التلج، سيقفل المحرك من سرعته تلقائياً وستسمع صوت المحرك وهو ينخفض. أبطئ وتبرتك أو قلل عرض منطقة الازلة، وحينها ستتم مواصلة سرعة المحرك وفقاً لضبطها العادي تلقائياً. إذا لم يكن هذا الإجراء كافياً لحل مشكلة الحمل الزائد، سيومض المستشعر بإطفاء المحرك تلقائياً وسيومض مؤشر LED الموجود بمنفخ التلج باللون البرتقالي. اخلع مجموعة (مجموعات) البطارية من منفخ التلج، وانتظر لمدة 10 ثوانٍ لتبريد ما إذا كان هناك تلج أو جليد عالٍ في البريمة وظهور الركوب. إذا لزم الأمر، اتبع التعليمات الواردة في قسم «تنظيف الأنابيب المسدود». أعد تركيب البطاريات، ثم أعد تشغيل منفخ التلج.

تنظيف الأنابيب المسدود

⚠ تحذير: احرص دائماً على استخدام أداة تنظيف الأنابيب (A-8) المرفقة مع الآلة كملحق، ولا تستخدم يدك.

الحماية ضد الارتفاع الزائد في درجة حرارة البطارية

ستتولد عن مجموعة البطارية حرارة أثناء التشغيل. تتبدد الحرارة بشكل أبطأ في الطقس الحار. إذا تخطت درجة حرارة البطارية 70 درجة مئوية أثناء التشغيل، ستقوم دائرة الحماية على الفور بإطفاء منفخ التلج لحماية مجموعة البطارية من التلف بفعل الحرارة. سينطفئ مؤشر الحالة الموجود بمنفخ التلج، أما بخصوص مصباح LED الموجود بالبطارية، يُرجى مراجعة قسم «حماية البطارية» في دليل تشغيل البطارية للتعرف على التفاصيل. حرر مفتاح المقبض، وانتظر إلى أن تبرد مجموعة البطارية وصولاً إلى حوالي 67 درجة مئوية، ثم أعد تشغيل منفخ التلج.

نصائح التشغيل

⚠ خطر: لا تقم أبداً باستخدام منفخ التلج على أسطح البحيرات أو الأنهار المتجمدة أو ما شابههم. لأنك قد تتعرض للوفاة أو الإصابات الخطيرة في حال تحطم التلج.

⚠ خطر: لا تقم أبداً باستخدام منفخ التلج على سطح المنزل أو الأسطح الأخرى غير الثابتة، لأن هذا قد يعرضك للوفاة أو الإصابات الخطيرة.

يمكن ضبط اتجاه إزالة التلج حتى 100 درجة ناحية اليسار و100 درجة ناحية اليمين.

اسحب مقبض أنبوب التوجيه الدوار (A-22) ناحية اليسار/اليمن لتدوير الأنبوب ناحية اليسار/اليمن.

يتم ضبط مسافة القذف الخاصة بمنفخ التلج عن طريق تحريك أنبوب التوجيه المثني لأعلى أو لأسفل.

لزيادة أو خفض مسافة قذف التلج، اسحب مقبض أنبوب التوجيه المثني (A-23) للخلف أو للأمام لرفع أنبوب التوجيه المثني

(A-10) أو خفضه. ما أن تصل إلى وضع أنبوب التوجيه المثني المرغوب، قم بتحريك مقبض أنبوب التوجيه المثني في فتحة القفل (F-1) (الشكل F).

تشغيل الكشافات الجانبية (A-12) والكشافات الأمامية (A-6) لمبات LED

اضغط على زر كشافات LED مرة واحدة لتشغيل كل من الكشافات الجانبية والكشافات الأمامية.

اضغط على زر كشافات LED مرتين لإطفاء الكشافات الجانبية.

اضغط على زر كشافات LED ثلاث مرات لإطفاء جميع الكشافات.

ملاحظة: ستنطفئ جميع كشافات LED تلقائياً إذا لم يتم تشغيل منفخ التلج خلال 5 دقائق.

مؤشر LED (الشكل A-21) بمنفخ التلج

منفخ التلج مزود بمؤشر LED للإشارة إلى مستوى شحن مجموعة (مجموعات) البطارية وحالة تشغيل منفخ التلج.

مؤشر LED	المعنى	الإجراء
أخضر لامع	منفخ التلج يعمل بشكل ملائم؛ كل بطارية بها شحن لا يقل عن 15%.	غير متاح.
أحمر وامض	نقد شحن البطارية تقريباً.	أوقف منفخ التلج واشحن مجموعة (مجموعات) البطارية.
وميض بالتبادل بين اللونين الأحمر والأخضر	خطأ	تواصل مع مركز خدمة العملاء بشركة EGO
برتقالي لامع	منفخ التلج يتوقف بفعل السخونة المفرطة.	أخرج البطاريات من منفخ التلج، وضعها في الظل ودعها تبرد لمدة لا تقل عن 15 دقيقة.

2. أدخل مجموعة (مجموعات) البطارية في منفاخ الثلج، وأغلق غطاء البطارية.
3. اضغط على زر الأمان (A-16) مع التثبيت لثانية واحدة، وسيبدأ المؤشر بلمبة (A-21) في الوميض باللون الأخضر. اضغط على المفتاح الزنبركي للبريمة (A-13) لتشغيل منفاخ الثلج، بينما يوميض مؤشر LED
- ملاحظة: لا يمكن تشغيل منفاخ الثلج باستخدام المفتاح الزنبركي للبريمة إلا أثناء وميض مؤشر LED فقط.
- ملاحظة: قد لا يمكن بدء تشغيل منفاخ الثلج كما ينبغي إذا كانت درجة حرارة بطارياته 20- درجة مئوية أو أقل. إذا لم يتم بدء تشغيل منفاخ الثلج، اخلع البطارية من المنفاخ واتركها تبرّد داخل المنزل لمدة 10 دقائق أو أكثر. أعد تركيب البطارية، ثم أعد المحاولة.

لإيقاف منفاخ الثلج

حرر المفتاح الزنبركي للبريمة بالكامل.
ملاحظة: ستقوم الفرملة الكهربائية الموجودة في آلية الفرملة الأوتوماتيكية بإيقاف البريمة عن الدوران خلال 3 ثوانٍ من تحرير مفتاح البريمة.

نظام السرعات المتغيرة للبريمة

يمكن ضبط سرعة البريمة للتحكم في مسافة القذف.
لزيادة/خفض السرعة، انقر رافعة التحكم في سرعة البريمة (A-15) للأمام للخلف.

نظام الدفع الذاتي ذو السرعة المتغيرة

منفاخ الثلج هذا مجهز بنظام الدفع الذاتي ذي السرعة المتغيرة. وهو مستقل عن دوران البريمة.

لتشغيل نظام الدفع الذاتي بدون دوران البريمة، اضغط على زناد **الدفع الذاتي (A-18)** ناحية المقيض. لزيادة السرعة، حرك رافعة التحكم في السرعة ذاتية الدفع (A-17) للأمام. لخفض السرعة، حرك رافعة التحكم في السرعة ذاتية الدفع للخلف.

لإيقاف خاصية الدفع الذاتي، حرر زناد الدفع الذاتي. لتحريك منفاخ الثلج للخلف، عليك أولاً إيقاف وظيفة الدفع الذاتي؛ وسحب رافعة التحكم في السرعة ذاتية الدفع إلى وضع الحركة العكسية REVERSE، ثم الضغط على زناد الدفع الذاتي.

ملاحظة: السرعة تكون ثابتة عند تشغيل منفاخ الثلج في وضع الحركة العكسية مع تفعيل خاصية الدفع الذاتي؛ ولا يمكن لرافعة التحكم في السرعة تغيير السرعة أثناء الحركة العكسية.

ملاحظة: لا يمكن تشغيل منفاخ الثلج على وضع الحركة العكسية بينما وظيفة الدفع الذاتي مضبوطة على الحركة للأمام.

المفتاح الزنبركي للبريمة ووصلة زناد الدفع الذاتي

عند الضغط على زناد الدفع الذاتي (A-18) والمفتاح الزنبركي للبريمة (A-13) في نفس الوقت، ثم تحرير المفتاح الزنبركي للبريمة (اليد اليمنى)، سيظل المفتاح الزنبركي للبريمة معشاً. تنتج لك هذه الخاصية ضبط سرعة البريمة، وسرعة الدفع الذاتي، واتجاه تفريغ الثلج أثناء دوران البريمة.

لإيقاف البريمة، حرر زناد الدفع الذاتي، وستوقف البريمة ووظيفة الدفع الذاتي معاً.

ضبط الأنابيب وحارف الاتجاه

يمكن ضبط الأنابيب لتغيير كل من اتجاه تفريغ الثلج ومسافته، وذلك لمساعدتك في نقل الثلج بعيداً عن منطقة ما ووضعها في منطقة أخرى.

2. ارفع تجميعية أنبوب تفريغ الثلج، وقم بمحاذاة عمود الدعم الخارجي مع عمود الدعم الداخلي لتثبيت عمود الدعم الخارجي في مكانه. تأكد من ثبات أنبوب تفريغ الثلج جيداً على القاعدة (الشكل D2).
3. قم بتأمين تجميعية أنبوب تفريغ الثلج بالكرة والمسمار الملولب المرفقين.
4. استخدم منظم الكابل المدمج، يمكنك تغيير قوة حركة مقيض أنبوب التوجيه الدوّار، حيث يمكنك تقليل القوة عن طريق إدارة منظم الكابل المدمج قليلاً عكس اتجاه عقارب الساعة (الشكل D2). وكذا، يمكنك زيادة القوة عن طريق إدارته في الاتجاه المعاكس. انتبه إلى أن أنبوب تفريغ الثلج سينحرف يساراً/يميناً أثناء الاستخدام إذا كان غير ثابت بشكل واضح.

التشغيل

لتركيب/خلع مجموعة البطارية

اشحن البطارية قبل الاستخدام لأول مرة.
لا تستخدم الآلة إلا مع مجموعات البطارية والشواحن المدرجة في الشكل A4.

ملاحظة: لتحقيق أفضل أداء، نوصي باستخدام بطاريتي EGO الطراز Arc-Lithium بجهد 56 فولت وسعة 5.0 أمبير في الساعة أو بطاريتي EGO أخريين من الطراز Arc-Lithium بجهد 56 فولت وسعة ألفير.

عند عدم الاستخدام، يجب تخزين مجموعات البطاريات بجهد 56 فولت في مكان مغلق لا تنخفض درجة الحرارة فيه عن 20- درجة مئوية. درجة حرارة الشحن المثالية تكون بين 5 إلى 40 درجة مئوية.

للتركيب

ادفع مجموعة البطارية في حجيرة البطارية إلى أن تسمع صوت «نقرة». (الشكل E1)

للخلع

اضغط لأسفل على زر تحرير البطارية الموجود في حجيرة البطارية (الشكل E2)

ملاحظة: تأكد من انغلاق اللسان الموجود بمنفاخ الثلج في مكانه الصحيح، وأن مجموعة (مجموعات) البطارية محكمة التثبيت بشكل آمن في الوحدة قبل بدء التشغيل.

بدء تشغيل/إيقاف منفاخ الثلج

⚠️ تنبيه: لا تحاول تجاوز إجراءات تشغيل زر الأمان.
⚠️ تحذير: احرص على بقاء الأشخاص الآخرين والحيوانات الأليفة على مسافة لا تقل عن 30 متراً بعيداً عن منفاخ الثلج أثناء استخدامه.

⚠️ تحذير: تستمر البريمة في الدوران لعدة ثوانٍ بعد إطفاء منفاخ الثلج. اترك البريمة تتوقف عن الدوران قبل بدء التشغيل مرة أخرى.
ملاحظة: لا تقم بإطفاء منفاخ الثلج وتشغيله بسرعة.

لبدء تشغيل منفاخ الثلج

1. تأكد من ضبط تجميعية المقيض بشكل محكم في الارتفاع المناسب، وأن تجميعية أنبوب التفريغ الجانبي مثبتة كما ينبغي، وأن الأنابيب وأنبوب التوجيه المثني مضبوطان على الوضع المناسب.

المواصفات

18. زناد الدفع الذاتي
19. المقيض الأساسي
20. زر كشافات LED
21. مؤشر LED
22. مقيض أنبوب توجيه الدوّار
23. مقيض أنبوب توجيه المثني
24. البريمة
25. قضيب المكشطة
26. زر تحرير البطارية
27. الوصلات الكهربائية

قائمة المحتويات (الشكل A3)

التجميع

تركيب/خلع العجلة

1. اضبط موضع منفاخ الثلج وفقاً للشكل B للتركيب بسهولة.
 2. اخلع الجوان الخارجي وديوس قفل العجلة من العمود.
 3. قم بتجميع العجلة والجوان الخارجي. أحكم تثبيتهم بديوس قفل العجلة.
- تنبيه:** راجع العجلة قبل التركيب للتأكد من اتجاه السهم الموجود بالعجلة نحو الأمام (الشكل B).

B-1 الجوان الخارجي	B-2 ديوس قفل العجلة
----------------------	-----------------------

تركيب تجميعة المقيض

ملاحظة: تجميعة المقيض بحاجة للتجميع قبل تشغيل منفاخ الثلج (الشكل C1).

C-1 بكرة القفل	C-2 تجميعة المقيض
------------------	---------------------

- فك بكرات القفل الأربع واسحب المسامير المولدة للخارج. احفظهم لتركيبهم عند إعادة التجميع. اختر وضع تشغيل مريح وفقاً لطولك (الشكل C2). يمكن ضبط تجميعة المقيض على ثلاثة ارتفاعات مختلفة. (الشكل C3 والشكل C4 والشكل C5)
- وضع التشغيل العلوي على النحو الموضح في الشكل C3
وضع التشغيل الأوسط على النحو الموضح في الشكل C4
وضع التشغيل السفلي على النحو الموضح في الشكل C5

تركيب تجميعة أنبوب تفريغ الثلج

⚠ تحذير: لا تقم أبداً بتشغيل منفاخ الثلج دون تركيب تجميعة أنبوب التفريغ بالكامل في مكانها.

1. فكّ البكرة الموجودة على عمود الدعم الداخلي، واخلع المسامير المولدة (الشكل D1). احتفظ بالبكرة والمسامير لاستخدامهم عند إعادة التجميع.

D-1 أنبوب تفريغ الثلج	D-2 عمود الدعم الخارجي
D-3 بكرة	D-4 عمود الدعم الداخلي
D-5 القاعدة	D-6 مسامير ملولبة

الجهد الكهربائي	56 تلووف
عرض منطقة الإزالة	61 سم
ارتفاع المدخل	51 سم
حجم العجلة	38 سم
الوزن	68 كجم
درجة حرارة التشغيل الموصى بها	د-20-10 درجة مئوية
درجة حرارة التخزين الموصى بها	د-20-70 درجة مئوية
مستوى قوة الصوت المُقدّر L_{WA}	96.61 ديسيبل (A) 1.6=K ديسيبل (A)
مستوى ضغط الصوت عند أذن مُشغل الآلة L_{PA}	82.5 ديسيبل (A) 4=K ديسيبل (A)
مستوى قوة الصوت المضمون L_{WA} (تم قياسه وفقاً للمعيار 2000/14/EC)	98 ديسيبل (A)
القيمة المقدرة للاهتزاز a_n	المقيض 0.3 م/ثانية ² الأيسر 1.5=K م/ثانية ²
	المقيض 0.4 م/ثانية ² الأيسر 1.5=K م/ثانية ²

الوصف

تعرف على منفاخ الثلج (الشكل A1 و A2)

1. قضيب جانبي
2. غطاء البطارية
3. حجيبة البطارية
4. العجلات
5. قاعدة مانعة للانزلاق
6. كشافات أمامية LED
7. ظهر الركوب
8. أداة تنظيف الأنبوب
9. أنبوب تفريغ الثلج
10. أنبوب التوجيه المثني
11. المقيض الخلفي
12. كشافات جانبية LED
13. المفتاح الزنبركي للبريمة
14. المقيض الأساسي
15. رافعة التحكم في سرعة البريمة
16. زر الأمان
17. رافعة التحكم في السرعة ذاتية الدفع

اقرأ جميع التعليمات!

الغرض المحدد للاستخدام: إزالة الثلج من المناطق، مثل الممرات ورصيف المشاة.

تحذير: احرص على قراءة وفهم جميع تعليمات السلامة في دليل التشغيل هذا، بما في ذلك جميع رموز تنبيهات السلامة، مثل «خطر»، و«تحذير» و«تنبيه» قبل استخدام هذه الآلة. عدم اتباع جميع التعليمات الواردة أدناه قد يؤدي إلى حدوث صدمة كهربائية أو نشوب حريق أو التعرض للإصابة الشخصية، أحدها أو جميعها.

تحذير: قد يؤدي تشغيل أي آلة عاملة بالطاقة إلى دخول أي أشياء غريبة في عينيك، وهو ما قد يؤدي إلى إلحاق أضرار خطيرة بالعين. قبل بدء تشغيل الآلة العاملة بالطاقة، احرص دائمًا على ارتداء واقبات العينين أو نظارات حماية العينين ذات دروع جانبية، أو درع واقٍ لكامل الوجه عند اللزوم. نوصي بارتداء قناع السلامة واسع الرؤية لاستخدامه فوق نظارات العين أو نظارات السلامة العادية ذات الدروع الجانبية.

رموز السلامة

للحد من خطر الإصابة، يجب على المستخدم قراءة وفهم دليل التشغيل قبل استخدام هذا المنتج.



تنبيه سلامة



ارتد دائمًا نظارات الحماية المزودة بواقبات على الجانبين، وابتعني ارتداء واقٍ لكامل الوجه أثناء تشغيل هذا المنتج.



أبقِ القدمين واليدين بعيدًا عن نطاق عمل الآلة



خطر — أطفئ المحرك قبل التخلص من انسداد أنبوب التفريغ. للحد من خطر الإصابة، أبقِ يديك وقدميك بعيدًا عن الأجزاء الدوّارة. لا يكون التخلص من الانسدادات إلا بعد إطفاء المحرك، ولا يجب التخلص منها باليد.



تنبيه: لا تحمق في لمبة التشغيل.



لا يجب التخلص من الأجهزة الكهربائية المستهلكة في النفايات المنزلية. توجه بالجهاز إلى مركز إعادة تدوير معتمد.



احتفظ بقدميك بعيدًا عن نطاق الدافع الميكانيكي



هذا المنتج متوافق مع توجيهات شهادة الجودة الأوروبية (CE) المعمول بها.



مستوى قوة الصوت المضمون. وفقًا لتوجيه الاتحاد الأوروبي.



هذا المنتج متوافق مع تشريعات المملكة المتحدة المعمول بها. فولت V



تيار مستمر



كيلوجرام kg

الحماية ضد نفثات الماء IPX4

איתור וטיפול בבעיות

⚠ אזהרה: הסירו תמיד את מארז(י) הסוללה בעת ביצוע תיקונים או הובלה של מפוח השלג. הגנו תמיד על הידיים שלכם על ידי לבישת כפפות בעת ביצוע כל פעולת תחזוקה על מקדח או מגרד מפוח השלג.

בעיה	סיבה	פתרון
מפוח השלג אינו פועל.	<ul style="list-style-type: none"> ■ קיבולת הסוללה נמוכה. ■ מתג הדק המקדח לא משוחרר ברגע בו אינדיקטור הלבד מהבהב בצבע ירוק. ■ המקדח תקוע בשלג או קרח. ■ הסוללה מחוממת יתר על המידה. אינדיקטור הלבד על גבי הסוללה מהבהב בצבע כתום או נדלק בצבע אדום בוהק (ראה חלק „הגנה מפני טמפרטורה גבוהה של הסוללה” במדריך זה). 	<ul style="list-style-type: none"> ■ הטעינו את הסוללה. ■ לחצו על מתג הדק המקדח כאשר אינדיקטור הלבד מהבהב. אם אינדיקטור הלבד מפסיק להבהב, מפוח השלג לא יגיב אל הלחיצה על מתג הדק המקדח. ■ הסירו תחילה את מארז(י) הסוללה, השתמשו בכלי לניקוי האשד המסופק על מנת לנקות שלג או קרח החוסם את המקדח. הפעילו מחדש את מפוח השלג. ■ הסירו את הסוללה המחוממת יתר על המידה ממפוח השלג וזכו עד אשר מארז הסוללה מתקרר לטמפרטורה של בערך 67°C ולאחר מכן התקינו מחדש את הסוללה והפעילו מחדש את מפוח השלג.
המנוע פועל אך המקדח אינו פועל.	<ul style="list-style-type: none"> ■ פין הגזם שבור. 	<ul style="list-style-type: none"> ■ החליפו את הפין הגזם, על פי סעיף „החלפת פין הגזם” במדריך זה.
כפתור אור הלבד אינו רגיש ללחיצה הראשונה.	<ul style="list-style-type: none"> ■ תהליך הבדיקה העצמית הפנימית גורם לעיכוב קל בתגובה ללחיצה הראשונה על הכפתור. 	<ul style="list-style-type: none"> ■ לחצו והחזיקו את כפתור אור הלבד למשך שנייה אחת.
אינדיקטור הלבד על גבי הסוללה נשאר דלוק לאחר שמקדח מפוח השלג מפסיק את עבודתו או לאחר כיבוי של מערכת ההגנה העצמית.	<ul style="list-style-type: none"> ■ המעגל החשמלי נמצא בהמתנה לקראת הפעלה הבאה. נורית הלבד תכובה באופן אוטומטי אם לא מתבצעת הפעלה של מפוח השלג במהלך 5 עד 10 דקות. 	<ul style="list-style-type: none"> ■ פשוט השאירו או הסירו את הסוללות מתא הסוללה.

אחריות

אנא בקרו באתר egopowerplus.eu עבור התנאים וההתניות השלמים של מדיניות האחריות של EGO.

הגנה על הסביבה

אל תזרקו מכשירים חשמליים כחלק מאשפה ביתית, השתמשו בהתקני איסוף נפרדים.
צרו קשר עם משרדים הממשלה המקומיים עבור מידע על מערכות האיסוף הזמינות.



אם ציוד חשמלי נזרק ביחד עם אשפה ביתית או במזבלה, חומרים מסוכנים עלולים לנזול אל האדמה ולהפוך לחלק משרשרת המזון, דבר העלול לגרום לנזק לבריאות ולרווחה שלכם.

3. החליפו את נעל ההחלקה עם נעל החלקה חדשה בעת הצורך.
4. ניתן לכוון את גובה נעלי ההחלקה בהתאם לתנאי השלג הקיימים ללא הסרה מלאה של האומים, ניתן רק לשחרר אותם, לכוון את עמדת נעל ההחלקה ולאחר מכן להדק מחדש (איור G2).

החלפת פין הגוזם

פיני הגוזם ממוקמים במוט המקדח (איור H1). הם עוזרים בספיגת מומנט העיכוב המידי כאשר המקדח פוגע במחסומים במהלך ההפעלה והם מגנים על תיבת ההילוכים ועל המנוע מפני נזקים.

H-1 מוט מקדח	H-2 פין גוזם
--------------	--------------

על מנת להחליף את פיני הגוזם, הסירו את הסוללות, הסירו את הפין השבור ממוט המקדח והחליפו בברגים חדשים.

הודעה: פיני הגוזם הנוספים מאוחסנים בתא הרכבת האשד, החליפו באחד חדש אם המקורי נשבר. (איור H2).

אחסון מפוח השלג

⚠️ זהירות: וודאו שאתם מנגבים כהלכה את כל השלג אשר נמס ואשר מטפטף מן המפוח על מנת למנוע סכנות של החלקה או נפילה.
■ הסירו את מארזי (י) הסוללה ואחסנו במקום בטוח הרחק מהישג ידם של ילדים.

לפני האחסון, נגבו כל לחות, לכלוך או אשפה מאזור הסוללה.

- נגבו את מפוח השלג באמצעות מטלית יבשה ונקייה.
- בדקו את כל האומים, הברחים, הכפתורים, הברגים וכו' שיהיו הדוקים.
- בדקו חלקים נעים שלא יהיו ניזוקים, שבורים או יראו סימני בלאי. בצעו תיקונים לחלקים ניזוקים או חסרים.
- אחסנו את מפוח השלג במקום נקי, יבש וסגור הרחק מהישג ידם של ילדים.
- אל תאחסנו ליד חומרים הגורמים לקורוזיה כגון חומרי דשן או גבישי מלח.

הגנה על מפוח השלג מפני עומס יתר

מפוח השלג שלכם מצויד באלמנטים מובנים החשים מצב של עומס יתר. כאשר ישנו עומס יתר של מפוח השלג, המנוע יפחית באופן אוטומטי את מהירותו ואתם תשמעו את ההפחתה של נפח המנוע. האטו את הקצב שלכם או הצרו את רוחב הפינץ וזא באופן אוטומטי המנוע יחזור לפעולתו הנורמלית. אם פתרון זה איננו פותר את בעיית עומס היתר, החיישן יכבה את המנוע באופן אוטומטי ואינדיקטור הולד על גבי מפוח השלג יבהב בצבע כתום. הסירו את מארז (י) הסוללה ממפוח השלג, המתין 10 שניות ובדקו שאין קרח או שלג התקועים על גבי המקדח או המשטח. אם יש צורך בכך, עקבו אחר ההוראות בחלק „ניקוי של אשד בעל גושים”. התקינו מחדש את הסוללות והפעילו שוב את מפוח השלג.

ניקוי של אשד בעל גושים

⚠ אזהרה: השתמשו תמיד בכלי לניקוי האשד (A-8) המצורף אל המכונה כאביזר, אין להשתמש בידים שלכם.

הגנה מפני טמפרטורה גבוהה של הסוללה

מארז הסוללה ייצר חום בעת ההפעלה. החום יתפזר לאט יותר כאשר מזג האוויר חם יותר. אם טמפרטורת הסוללה עולה מעל 70°C בעת ההפעלה, מעגל ההגנה יכבה מיד את מפוח השלג על מנת להגן על מארז הסוללה מפני נזקי חום. אינדיקטור הסטטוס על גבי מפוח השלג יכובה, כמו הולד על הסוללה, אגב עיינו בחלק „הגנה על הסוללה” במדריך הפעלת הסוללה לפרטים. שחררו את מתג הניתוק, חכו עד אשר מארז הסוללה מתקרר לטמפרטורה של בערך 67°C ולאחר מכן הפעילו מחדש את מפוח השלג.

עצות להפעלה

⚠ סכנה: לעולם אין להשתמש במפוח שלג על אגמים קפואים, נהרות או משטחים דומים. אם הקרח נשבר עלולים להתרחש פציעה חמורה או מוות.

⚠ סכנה: לעולם אין להשתמש במפוח השלג על גבי גגות או משטחים לא יציבים, דבר זה עלול להוביל לפציעה חמורה או מוות.

⚠ אזהרה: אין להשתמש במפוח השלג על גבי קרח, הדבר עלול לגרום למפעיל להחליק או ליפול, דבר העלול לגרום לפציעה חמורה.

⚠ אזהרה: אל תלבשו בגדים רפויים, צעיפים או תכשירים. אלו יכולים להתפס בחלקים הנעים ולגרום למוות או לפציעה חמורה.

⚠ אזהרה: שמרו על כל השלג שנזרק הרחק ממכשירים חשמליים על מנת למנוע סכנה של התחשמלות או שוק חשמלי.

⚠ אזהרה: אל תפנו את מפוח השלג או את אשד הפריקה לעבר בני אדם או חיות מחמד. שלג או עצמים נזרקים עלולים לגרום לפציעות אישיות.

⚠ אזהרה: וודאו שהאזור אותו אתם מפנים משלג נקי מאבנים, מקלות, כבליים, חצץ ועצמים אחרים אשר יכולים בטעות להיזרק על ידי מפוח השלג לכל כיוון שהוא ולגרום לפציעה אישית חמורה למפעיל או לאנשים אחרים.

■ אם היחידה באה במגע עם כל סוג של מחסום או אשפה במהלך השימוש, הפסיקו את פעולת מפוח השלג, הסירו את מארז (י) הסוללה, הסירו את המחסום ובדקו בזהירות שלא נגרמו נזקים ליחידה לפני שתמשיכו.

⚠ אזהרה: לעולם אל תכניסו ידיים או חלקי גוף אחרים אל תוך אשד הפריקה או הניחו חלקי גוף לפני מפוח השלג כאשר היחידה פועלת או כאשר מארז (י) הסוללה מותקן (ים). וודאו תמיד שכל החלקים הנעים נעצרו ושהסרתם את מארז (י) הסוללה לפני פינוי של מחסום כלשהו. אי ביצוע הוראות אלה עשוי לגרום לפציעה אישית חמורה.

■ שימו לב לכיוון הרוח לפני שתתחילו. כאשר ניתן, פנו את השלג לאותו הכיוון כמו הרוח על מנת למנוע מן השלג להיזרק חזרה אל הפנים שלכם.

■ חלקים מסוימים של מפוח השלג יכולים לקפוא תחת תנאי מזג אוויר קיצוניים. אל תנסו להפעיל את היחידה עם חלקים קפואים.

■ כאשר סיימתם, אפשרו למנוע לעבוד לכמה דקות נוספות על מנת למנוע קיפאון של החלקים הנעים ולאחר מכן סובבו את ידית סיבוב האשד קדימה ואחורה כמה פעמים עם מנת לפנות קרח מן האשד. וודאו שאתם מפנים שלג וקרח מבסיס האשד.

■ בתנאי שלג ותנאי קרח, ייתכן שחלק מן הבקורות והחלקים הנעים יקפאו. אין להשתמש ביותר מדי כוח בעת הניסיון להפעיל את הבקורות הקפואות. אם אתם מתקשים להפעיל בקרה או חלק מסוימים, הפעילו את המכונה בהתאם לחלק „הפעלה/כיבוי של מפוח השלג” והניחו לו לפעול במשך כמה דקות.

תחזוקה

תחזוקה כללית

הימנעו משימוש בממסים כאשר אתם מנקים חלקי פלסטיק. רוב חלקי הפלסטיק עלולים להיזק מסוגים שונים של ממסים מסחריים ועל ידי השימוש בהם. השתמשו במטלית נקיה על מנת להסיר לכלוך, אבק, שמן, חומר סיכה וכו'.

שימון המכונה

כל הקשרים של המוצר משומנים על כמות מספקת של חומר סיכה ברמה גבוהה עבור כל חיי היחידה תחת תנאי הפעלה נורמליים. לכן, אין צורך בשימון נוסף.

החלפה וכיוונון של נעלי ההחלקה

1. הסירו את הסוללות.
2. שחררו והסירו את האומים, האטמים ואת נעל ההחלקה מן הברגים (איור G1).

פעולה	פירוש	אינדיקטור לד
כבו את מפוח השלג והטעינו את מארז(י) הסוללה	מפוח השלג עובד כראוי; קיבולת הסוללה היא לפחות 15%.	אור ירוק בזהר
צרו קשר עם מרכז שירות הלקוחות של EGO.	קיבולת הסוללה כמעט ריקה.	אור אדום מהבהב
הסירו את הסוללה ממפוח השלג, הזיזו אותן אל מקום מוצל וקררו לתקופה של לפחות 15 דקות.	טעות	אור ירוק ואדום מהבהבים לסירוגין
מארז הסוללה את מארז הסוללה ולאחר מכן בדקו ונקו אם נצבר שלג מתחת למשטח. האטו את הקצב שלכם כאשר השלג זז. אם הדבר איננו עובד, אנו צרו קשר עם מרכז שירות הלקוחות של EGO.	מפוח השלג נעצר בגלל חימום יתר.	אור כתום בזהר
הסירו את הסוללה ממפוח השלג, חכו עד אשר מארז הסוללה מתקרר לטמפרטורה של בערך 67°C ולאחר מכן התקינו מחדש את הסוללה והפעילו מחדש את מפוח השלג.	ישנו עומס יתר במפוח השלג.	אור כתום מהבהב
הסירו את הסוללה ממפוח השלג, חכו עד אשר מארז הסוללה מתקרר לטמפרטורה של גבוהה של הסוללה במדריך (זה	חימום יתר של הסוללה. (ראה חלק „הגנה מפני טמפרטורה גבוהה של הסוללה” במדריך זה)	OFF ולד סוללה מהבהבים

הודעה: המהירות קבועה כאשר מפעילים את מפוח השלג לאחור על ההנעה העצמית; לא ניתן לשנות את המהירות באמצעות דוושת כיוון המהירות ההנעה העצמית בפעולה לאחור.

הודעה: לא ניתן לשנות את מפוח השלג לעמדה לאחור כאשר פונקציית ההנעה העצמית נעה קדימה.

מתג הדק המקדח וקישור מתג ההנעה העצמית

כאשר לוחצים על **מתג ההנעה העצמית (A-18)** ועל **מתג הדק המקדח (A-13)** בו זמנית ולאחר מכן משחררים את מתג הדק המקדח (צד ימין), מתג הדק המקדח נשאר פועל. מאפיין זה מאפשר לכם לכוון את מהירות המקדח, את מהירות ההנעה העצמית ואת כיוון הפריקה של השלג במהלך סיבוב המקדח על מנת לעצור את המקדח, שחררו את מתג ההנעה העצמית, המקדח ופונקציית ההנעה העצמית יפסיקו את פעולתם.

כיוון האשד והסטייה

נתין לכוון את האשד על מנת לשנות הן את המרחק והן את הכיוון של השלג הנזרק על מנת לעזור לכם לפנות את השלג מאזור אחד ולהניח אותו באזור אחר. את כיוון זריקת השלג ניתן לכוון 100° לכיוון שמאל ו-100° לכיוון ימין.

משכו את **ידית סיבוב האשד (A-22)** לכיוון שמאל/ימין על מנת לסובב את האשד אל השמאל/הימין.

ניתן לכוון את מרחק הזריקה של מפוח השלג על ידי הזזה של סטיית האשד למעלה או למטה.

על מנת להגדיל או להפחית את המרחק אליו השלג נזרק, משכו את **ידית סטיית האשד (A-23)** לאחור או קדימה על מנת להרים או להוריד את **סטיית האשד (A-10)**. כאשר אתם מגיעים לעמדה הרצויה עבור סטיית האשד, הניעו את ידית סטיית האשד אל חריץ הנעילה (F-1) (איור F).

פעולת אורות הלה הצדדיים (A-12) והפנסים הקדמיים (A-6)

לחצו על כפתור אור הלה פעם אחת על מנת להדליק הן את הפנסים הצדדיים והן את הפנסים הקדמיים. לחצו על כפתור אור הלה פעמיים על מנת להדליק את הפנסים הצדדיים.

לחצו על כפתור אור הלה שלוש פעמים על מנת לכבות את כל האורות.

הודעה: כל האור יכובו באופן אוטומטי אם לא מתבצעת הפעולה של מפוח השלג במשך 5 דקות.

אינדיקטור הלה (A-21) על גבי מפוח השלג

מפוח השלג מצויד באינדיקטור לד על מנת להראות את מצב הטעינה של מארז(י) הסוללה ואת מצב הפעולה של מפוח השלג.

1. שחררו את הכפתור על גבי מוט התמיכה הפנימי והסירו את הבריא (איור D1). שימרו על הכפתור ועל הבריא להרכבה מחדש.

D-1	אשד לפריקת שלג	D-2	מוט תמיכה חיצוני
D-3	כפתור	D-4	מוט תמיכה פנימי
D-5	בסיס	D-6	בריא

2. הרימו את הרכבת האשד לפריקת שלג, התאימו את מוט התמיכה החיצוני עם מוט התמיכה הפנימי על מנת להחליק את מוט התמיכה החיצוני אל מקומו. וודאו שהאשד לפריקת שלג נמצא על גבי הבסיס (איור D2).

3. הבטיחו את הרכבת האשד לפריקת שלג עם הכפתור והבריא אשר נשמרו.

4. בעזרת מווסת כבל הקו ניתן לשנות את הכוח המזיז לידית סיבוב האשד, ניתן להפחית את הכוח על ידי סיבוב של מווסת כבל הקו נגד כיוון השעון במקצת (איור D2). באופן הפוך, רמת הכוח תעלה באמצעות סיבוב אל הכיוון השני. יש לשים לב שאשד פליטת השלג יגלוש ימינה/שמאלה במהלך השימוש אם הוא משוחרר מדי.

הפעלה

על מנת לחבר/לנתק את מארז הסוללה

הטעינו לפני השימוש הראשון.

השתמשו רק עם מארזי הסוללה והמטענים הרשומים באיור A4.

הערה: לביצועים הטובים ביותר, אנו ממליצים על שימוש בייחוד עם שתי סוללות קשת-ליתיום Ah 5.0 EGO 56V או עם שתי סוללות קשת-ליתיום EGO 56V של קיבולת גדולה יותר.

כאשר המכשיר איננו נמצא בשימוש, יש לאחסן את מארזי סוללות ה-56V במקומות סגורים היכן שהטמפרטורה לא תהיה פחות מ-20°C. טמפרטורת הטעינה האופטימלית היא בין 5°C ובין 40°C.

על מנת להצמיד

דחפו את מארז הסוללה לתא הסוללה עד אשר יישמע „קליק”. (איור E1)

על מנת להסיר

לחצו על כפתור שחרור הסוללה בתא הסוללה. (איור E2)
הודעה: וודאו שבריי מופח השלג נכנס למקומו ושמארזי הסוללה מחוברים (כהלכה אל היחידה לפני התחלת ההפעלה).

הפעלה/כיבוי של מופח השלג

⚠ זיהירות: אל תנסו לבטל את פעולת כפתור הבטיחות.

⚠ אזהרה: וודאו שאנשים אחרים וחיות מחמד נמצאים במרחק של לפחות 30 מ' ממופח השלג בעת השימוש בו.

⚠ אזהרה: המקדח ימשיך להסתובב לכמה שניות לאחר כיבוי מופח השלג. אפשרו למקדח להגיע לעצירה מלאה לפני הפעלה מחדש.

הודעה: אל תפעילו ותכבו את מופח השלג במהירות.

על מנת להפעיל את מופח השלג

1. וודאו שהרכבת הידית מכווננת באופן בטוח אל הגובה המתאים, שהרכבת האשד לפריקה הצדדית מורכבת כהלכה ושהאשד וסטיית האשד מכווננים את העמדה המתאימה.

2. הכניסו את מארזי הסוללה אל מופח השלג וסגרו את מכסה הסוללה.

3. לחצו על **כפתור הבטיחות (A-16)** והחזיקו למשך שנייה אחת ואינדיקטור ה**לד (A-21)** יבהב בצבע ירוק. לחצו על **מתג הדק המקדח (A-13)** על מנת להפעיל את מופח השלג כאשר אינדיקטור ה**לד** מהבהב.

הודעה: ניתן להפעיל את מופח השלג באמצעות מתג הדק המקדח רק כאשר אינדיקטור ה**לד** מהבהב.

הודעה: לא ניתן יהיה להפעיל את מופח השלג כהלכה אם טמפרטורת הסוללות שלו נמוכה מ-20°C. אם לא ניתן להפעיל את מופח השלג, הסירו את הסוללה ממופח השלג והניחו אותה בתוך חלל פנימי על מנת שתתחמם ל-10 דקות או יותר. התקינו מחדש את הסוללה ונסו שנית.

על מנת לכבות את מופח השלג

שחררו לגמרי את מתג הדק המקדח.

הערה: המעצור החשמלי במנגנון העצירה האוטומטית יעצור את סיבוב המקדח בתוך 3 שניות משחרור מתג המקדח.

מערכת מהירות-מקדח-משתנה

ניתן לכוונן את מהירות המקדח על מנת לשלוט על מרחק הזריקה.

על מנת להעלות/להפחית את המהירות, לחצו על דוושת כיוונון מהירות המקדח (A-15) לפני/לאחור.

מערכת מהירות-הנעה עצמית-משתנה

מופח השלג מצויד ביכולת מהירות הנעה עצמית משתנה. היא עצמאית בייחוד לסיבוב המקדח.

על מנת להפעיל את מערכת ההנעה העצמית ללא סיבוב המקדח, משכו את **הדק ההנעה העצמית (A-18)** אל הידית. על מנת להגביר את המהירות,

הזיזו את **דוושת כיוונון מהירות ההנעה העצמית (A-17)** לפנים. על מנת להפחית את המהירות, הזיזו את דוושת כיוונון מהירות ההנעה העצמית לאחור.

על מנת לכבות את פונקציית ההנעה העצמית, שחררו את הדק ההנעה העצמית.

על מנת להזיז את מופח השלג לאחור, הפסיקו תחילה את פונקציית ההנעה העצמית; משכו את דוושת כיוונון מהירות ההנעה העצמית לעמדה **אחורית** ולאחר מתג לחצו על מתג ההנעה העצמית.

מפרטים

16. כפתור בטיחות
17. דושת כיוון מהירות ההנעה העצמית
18. מתג הנעה עצמית
19. ידית ראשית
20. לחצן אור לד
21. אינדיקטור לד
22. ידית סיבוב האשד
23. ידית סטיית האשד
24. מקדח
25. סרגל מגרד
26. כפתור שחרור סוללה
27. חיבורים חשמליים

מתח	56 V	
רוחב פינוי	61 ס"מ	
גובה פתח	51 ס"מ	
גודל גלגל	38 ס"מ	
משקל	68 ק"ג	
טמפרטורת הפעלה מומלצת	-20°C-10°C	
טמפרטורת אחסון מומלצת	-20°C-70°C	
רמת עוצמת קול נמדדת	96.61 dB(A) K=1.6 dB(A) L_{WA}	
רמת לחץ קול באוזן המפעיל	82.5 dB(A) K=4 dB(A) L_{PA}	
רמת עוצמת קול מובטחת L_{WA} (נמדד בהתאם ל-2000/14/EC)	98 dB(A)	
הערכת רטט a_h	ידית שמאלית	0.3 מ' /שנייה ² 1.5=K מ' /שנייה ²
	ידית ימנית	0.4 מ' /שנייה ² 1.5=K מ' /שנייה ²

רשימת אריזה (איור A3)

הרכבה

גלגל הרכבה/ניותוק

1. העמידו את מפוח השלג בהתאם לאיור B להרכבה קלה יותר.
 2. הסירו את האטם החיצוני ואת פין נעילת הגלגל מן המוט.
 3. הרכיבו את הגלגל ואת האטם החיצוני. נעלו אותם באמצעות פין נעילת הגלגל.
- הודעה:** בדקו את הגלגל לפני ההתקנה בכדי לוודא שחץ הגלגל נמצא קדימה (איור B).

B-1	אטם חיצוני	B-2	פין נעילת גלגל
-----	------------	-----	----------------

להתקנת הרכבת הידית

הודעה: יש להרכיב את הרכבת הידית לפני הפעלה של מפוח השלג (איור C1)

C-1	כפתור נעילה	C-2	הרכבת ידית
-----	-------------	-----	------------

שחררו את ארבעת כפתורי הנעילה והוציאו החוצה את הבריים. שימרו אותם עבור ההרכבה מחדש. בחרו עמדת הפעלה נוחה בהתאם לגובה שלכם (איור C2). ניתן לקבוע את הרכבת הידית לשלושה גבהים שונים. (איורים C3 ו-C4 ו-C5)

עמדת הפעלה עליונה (איור C3)

עמדת הפעלה אמצעית (איור C4)

עמדת הפעלה תחתונה (איור C5)

להתקנת הרכבת האשד לפריקת שלג

⚠ אזהרה: לעולם אין להפעיל את מפוח השלג ללא אשד פריקה מלא במקומו.

תיאור

הכירו את המפוח שלכם (איור A1 ו-A2)

1. מסילה צדדית
2. מכסה סוללה
3. תא סוללה
4. גלגלים
5. נעל החלקה
6. פנסי לד קדמיים
7. משטח
8. כלי לניקוי אשד
9. אשד לפריקת שלג
10. סטיית אשד
11. ידית אחורית
12. פנסי לד צדדיים
13. מתג הדק מקדח
14. ידית ראשית
15. דושת כיוון מהירות מקדח

קראו את כל ההוראות!

שימוש מיועד: הסרה של שלג מאזורים כגון שבילי חניה או מדרכות.

⚠ אזהרה: וודאו שאתם קוראים ומבינים את כל ההוראות הבטיחות המופיעות במדריך זה למשתמש, כולל את כל סימני התרעות הבטיחות כגון „**סכנה**“, „**אזהרה**“ ו-„**זהירות**“ לפני השימוש במכשיר זה. אי מילוי אחר כל ההוראות המופיעות למטה יכול לגרום אחריו שוק חשמלי, שרפה ו/או פציעות חמורות.

⚠ אזהרה: הפעלה של כלי עבודה חשמליים עלולה לגרום לעצמים זרים להיזרק אל תוך העיניים, דבר העלול לגרום לנזק חמור לעיניים. לפני ההפעלה של כלי עבודה חשמלי, ענדו תמיד משקפי מגן או משקפי בטיחות עם הגנה צדדית, ובעת הצורך, הגנה עבור כל הפנים. אנו ממליצים על שימוש במסכת בטיחות רחבה מעל למשקפי המגן או על שימוש במשקפי בטיחות עם הגנה צדדית.

סימני בטיחות

על מנת להפחית את הסיכון לפציעות, על המשתמש לקרוא ולהבין את המדריך למשתמש לפני השימוש במוצר זה.



⚠ התראת בטיחות

חבשו תמיד משקפי מגן או משקפי בטיחות עם הגנה צדדית, ובעת הצורך, הגנה עבור כל הפנים, בעת הפעלת מוצר זה.



🧤 שימרו על הידיים והרגליים במרחק בטוח



סכנה — עצרו את המנוע לפני שחרור של אשד הפריקה. כדי להפחית את הסיכון לפציעות, הרחיקו את הידיים והרגליים מחלקים נעים. יש לפנות חסימות תמיד לאחר עצירת המנוע ולעולם לא בעזרת הידיים.



☀️ זהירות : אין להביט ישירות על נורת ההפעלה.



אין להשליך מוצרים חשמליים ביחד עם אשפה ביתית. הביאו את המכשיר למרכז מחזור מוסמך.



🌿 הרחיקו את הרגליים מן הגלגל המניע



מוצר זה תואם לתקנות ה-EC הרלוונטיות



רמת עוצמת קול מובטחת. בהתאם לתקנת האיחוד האירופי.



מוצר זה הוא בהתאם לחוקים הרלוונטיים בבריטניה.



≡ זרמים ישירים

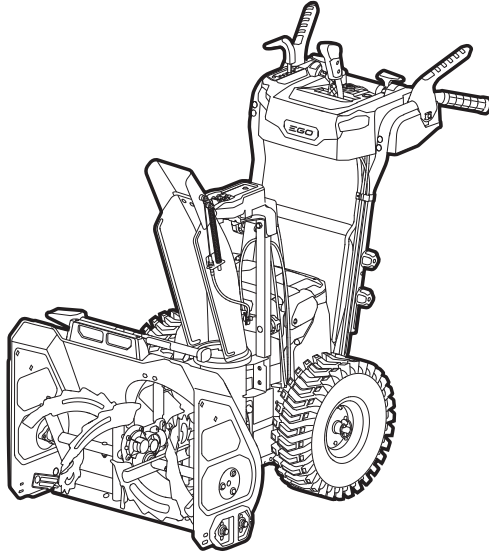
V וולט

kg קילוגרם

IPX4 הגנה מפני זרנוקי מים

EGO™

POWER⁺ SNOW BLOWER



SNT2400E

מפוח שלג אלחוטי עם סוללת ליתיום-יון 56 וולט HE

منفاخ ثلج لاسلكي ببطارية ليثيوم-أيون 56 فولت AR

