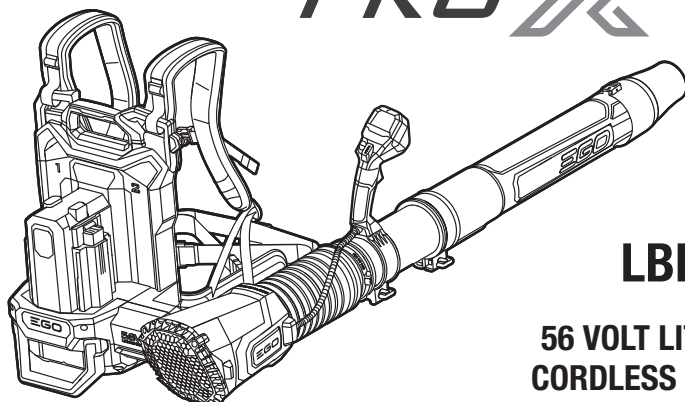


EGO™

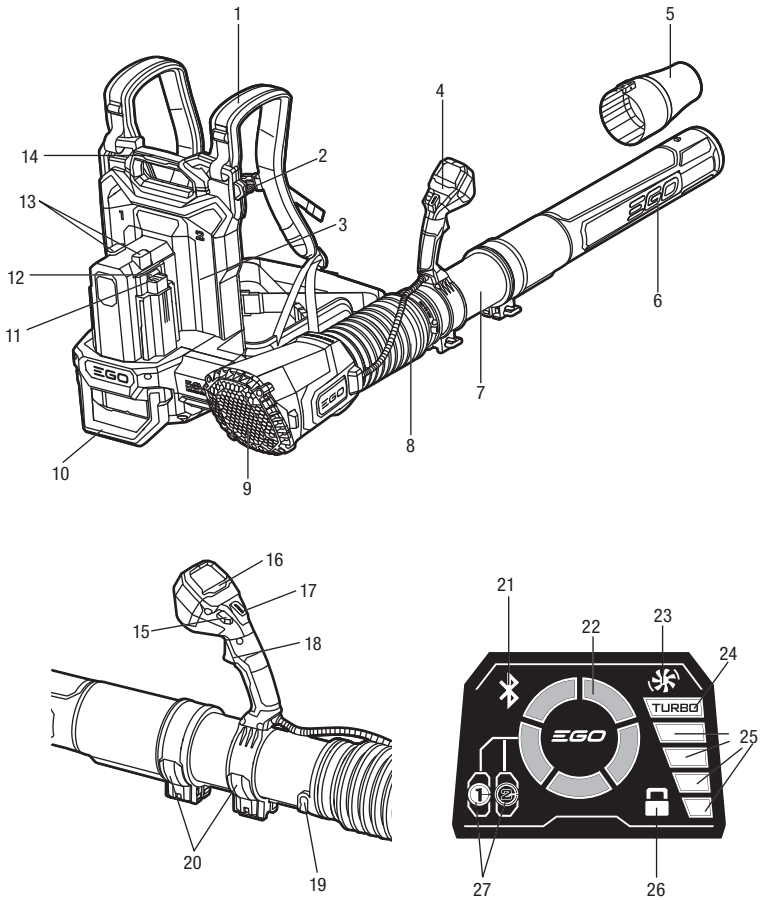
PRO



LBPX8000

56 VOLT LITHIUM-ION CORDLESS BACKPACK BLOWER

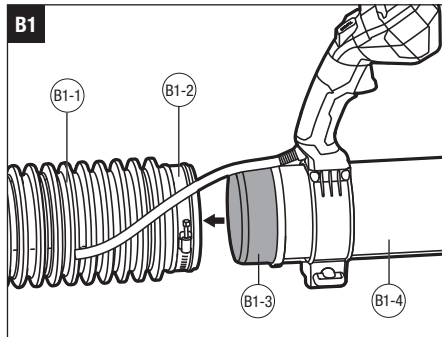
EN	56 Volt lithium-ion cordless Backpack blower	7	SL	56-Voltni litij-ionski brezžični nahrbtnni puhalnik	127
DE	Rückentragbarer laubbläser mit 56 volt lithium-ionen-akku	14	LT	Akumulatorinis ant nugaros nešiojamas pūstuvus su 56 v ličio jonų akumulatoriumi	133
FR	Souffleur à dos sans fil lithium-ion 56 V	21	LV	56 Voltu litija jonu bezvadu mugursomas tipa pūtējs	140
ES	Soplador inalámbrico de mochila con batería de iones de litio de 56 voltios	28	GR	Ασπυρματος φυσητρας πλατης ιοντων λιθιου 56 volt	147
PT	Soprador de mochila sem fios de ião de lítio de 56 volts	35	TR	56 Volt litiyum-iyon akülü sirt tipi üfleyici	155
IT	Soffiatore a zaino cordless li-ion 56 volt	42	ET	56-Voldine litiumioonakutoitega seljaskantav puhur	161
NL	56 Volt lithium-ion accu rugzak bladblazer	49	UK	56-Вольтна літій-іонна наплічна акумуляторна повітродувка	168
DK	Batteridrevet rygsæk-løvblæser med 56 volt lithium-ion-batteri	56	BG	56 Волта литиево-йонна безкабелна въздуходувка с раница	175
SE	56 Volts sladdlösa ryggsäcksblåsar	63	HR	Baterijsko puhalo s 56 voltnom litij-ionskom baterijom i naprtnjačom	183
FI	Akkukäyttöinen 56 voltin selässä kannettava litium-ionipuhallin	70	KA	56 ვოლტიანი ლითიუმ-იონის უსადენო ელექტრო საბურველა-ზურგანთა	190
NO	56 Volt lithium-ion traddløs ryggsekkbløser	77	SR	Bežični ranac duvač sa litijum-jonskom baterijom od 56 volti	199
RU	Беспроводная рюкзачная воздуходувка с литий-ионным аккумулятором 56 в	84	BS	Akumulatorski puhač lišća s lednom litij-ionskom baterijom od 56 V	206
PL	Akumulatorowa dmuchawa plecakowa z baterią litowo-jonową 56 woltów	92	HE	יני-סויתיל תללוס ועב יטוחו בג חופמ 56 טלוו	227
CZ	56voltový lithium-iontový akumulátorový zádový foukač	99	AR	دیرا طیبب رهظلا یلع لومحم یفلسال خافنم تلووف 56 نوبی-سویثیل	220
SK	56 V litium-iónové akumulátorové chrbtové dúchadlo	106			
HU	56 Voltos vezeték nélküli, lítium-ion háti lombfúvó	113			
RO	Suflantă cu suport de spate și acumulator de litiu ion de 56 volți	120			

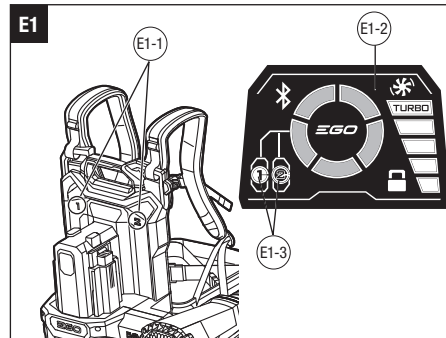
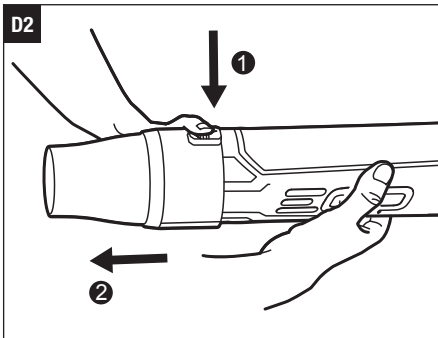
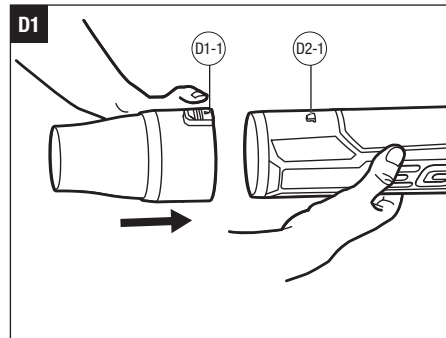
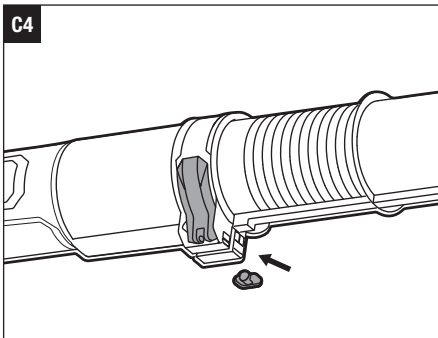
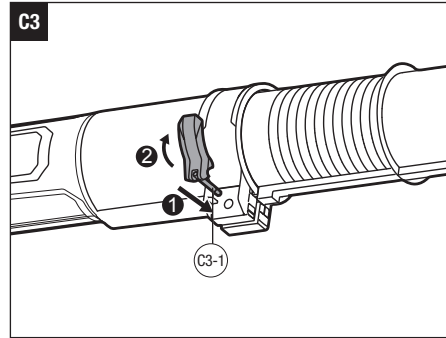
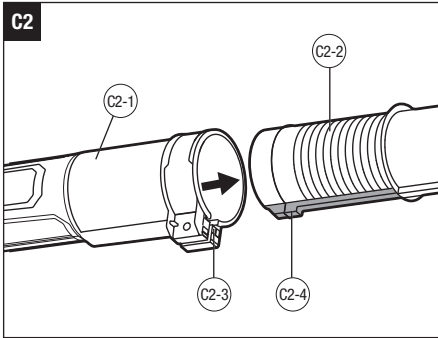
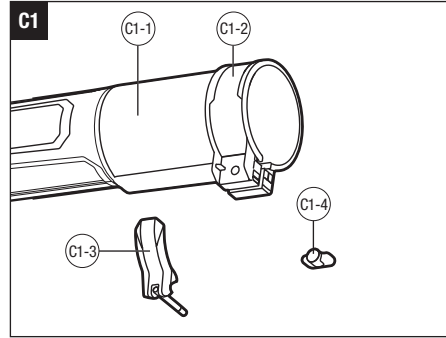
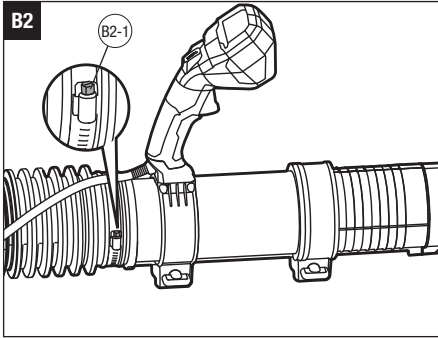
A**A2**

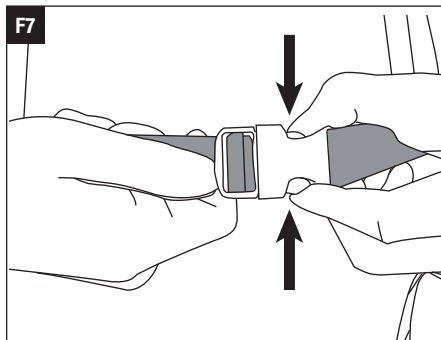
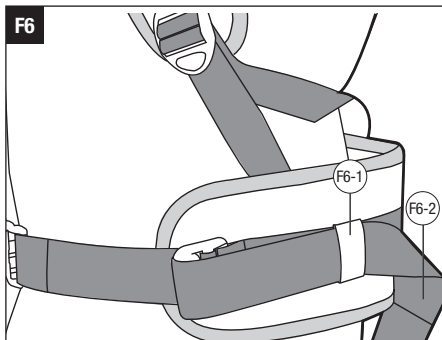
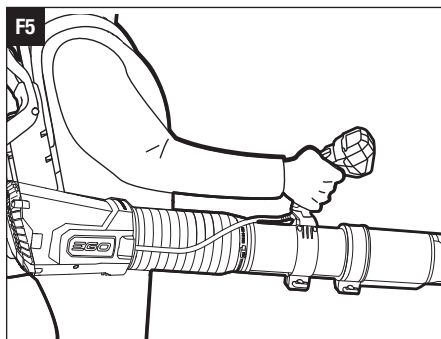
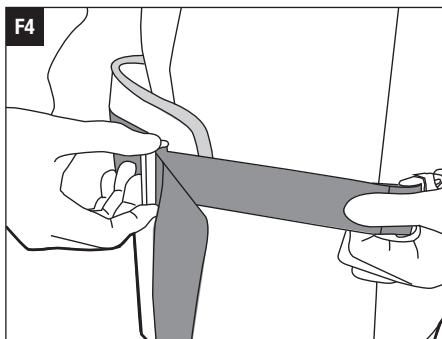
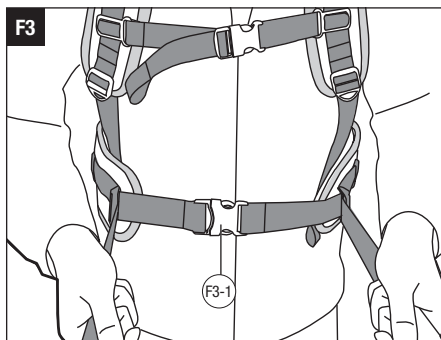
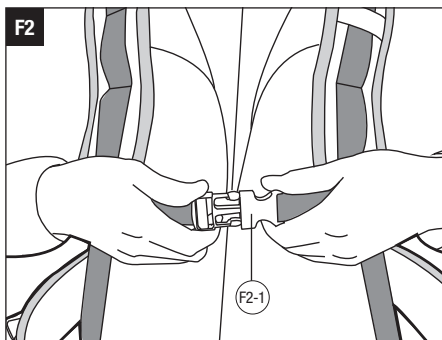
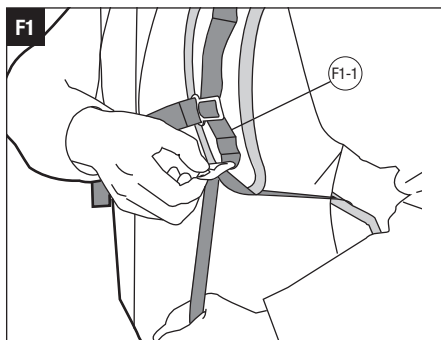
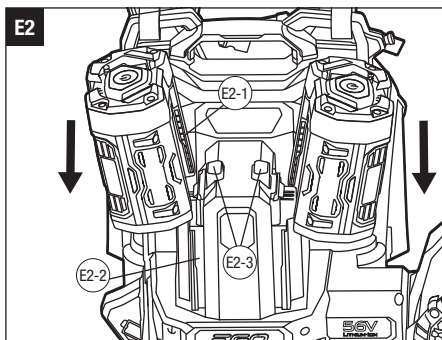
BA1400, BA1400T,
BA2240T, BA2242T,
BA2800, BA2800T,
BA4200, BA4200T,
BA3360T, BA5600T,
BA6720T

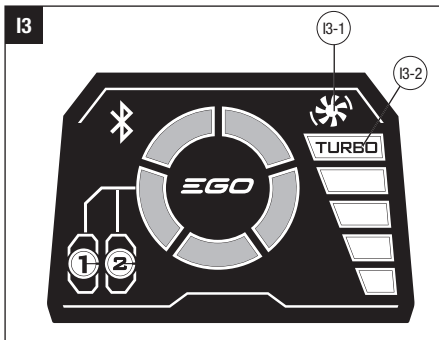
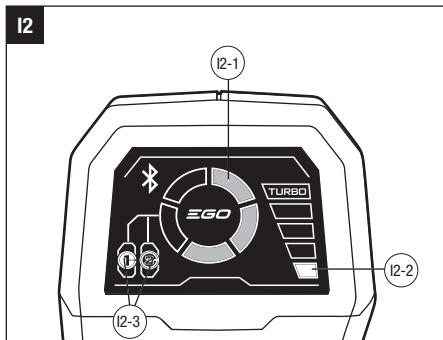
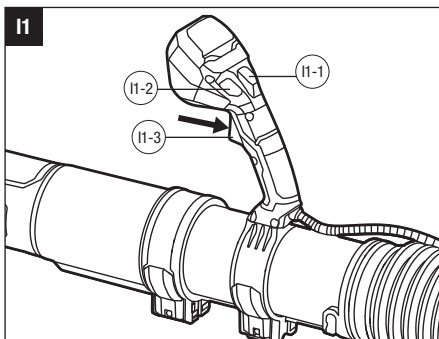
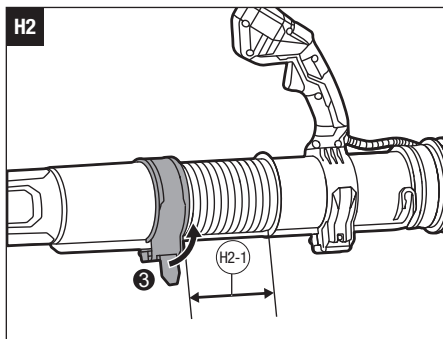
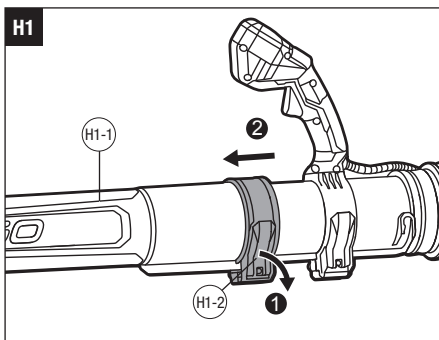
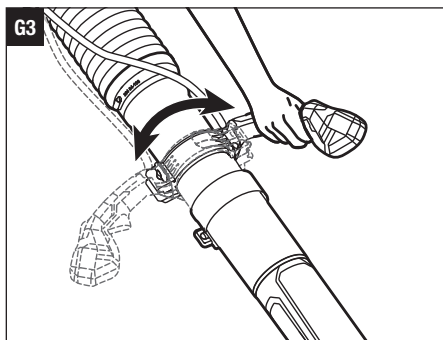
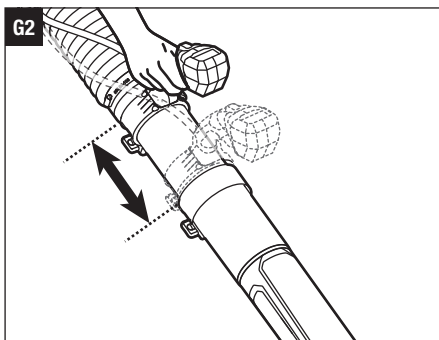
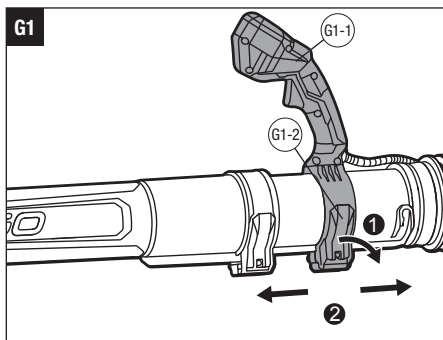


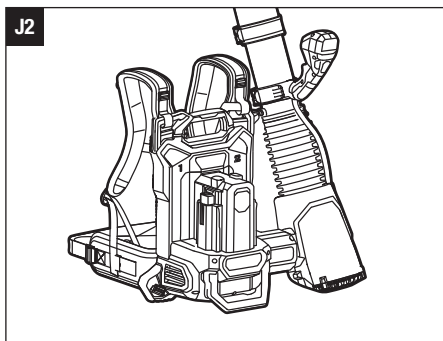
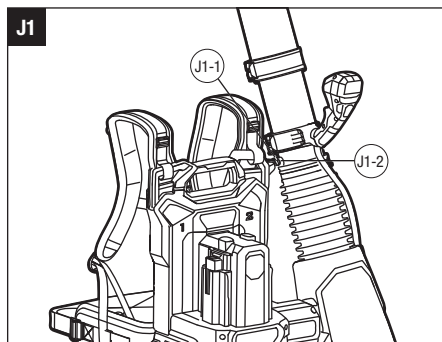
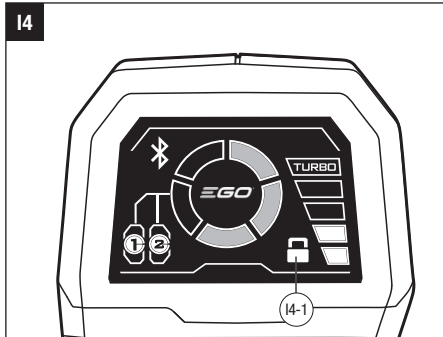
CH5500E, CH2100E,
CH3200E, CH7000E,
CH7000E-T

**B1**









READ ALL INSTRUCTIONS!



READ OPERATOR'S MANUAL

WARNING: To ensure safety and reliability, all repairs should be performed by a qualified service technician.

SAFETY SYMBOLS

The purpose of safety symbols is to attract your attention to possible dangers. The safety symbols and the explanations with them deserve your careful attention and understanding. The symbol warnings do not, by themselves, eliminate any danger. The instructions and warnings they give are no substitutes for proper accident prevention measures.

WARNING: Be sure to read and understand all safety instructions in this Operator's Manual, including all safety alert symbols such as "DANGER," "WARNING," and "CAUTION" before using this machine. Failure to follow all instructions listed below may result in electric shock, fire, and/or serious personal injury.

SYMBOL MEANING

SAFETY ALERT SYMBOL: Indicates **DANGER**, **WARNING**, or **CAUTION**, may be used in conjunction with other symbols or pictographs.

SAFETY INSTRUCTIONS

This page depicts and describes safety symbols that may appear on this product. Read, understand, and follow all instructions on the machine before attempting to assemble and operate.



Safety Alert



To reduce the risk of injury, user must read operator's manual before using this product.



Always wear ear protection when operating this product.



Always wear safety goggles or safety glasses with side shields and a full face shield when operating this product.



Keep all bystanders at least 15m away.



This product is in accordance with applicable EC directives.



This product is in accordance with applicable UK legislation.



Waste electrical products should not be disposed of with household waste. Take to an authorized recycler.



Direct Current



Bluetooth® Symbol



IPX5 Protection From Water Jets



Guaranteed sound power level. Noise emission to the environment according to the European community's Directive.

V Voltage

kg Kilogram

°C Celsius

m³/h Cubic Meter Per Hour

N Newton

m/s Meter Per Second

EN SPECIFICATIONS

Voltage		56 V
Maximum Air Volume		1360 m ³ /h
Maximum Air Velocity		85 m/s
Maximum Blowing Force		26 N
Approximate Run Time	With two 6.0 Ah Battery Packs	24 min. (Turbo)
		32 min. (High speed)
		120 min. (Low speed)
	With two 7.5 Ah Battery Packs	30 min. (Turbo)
		40 min. (High speed)
		150 min. (Low speed)
	With two 10 Ah Battery Packs	40 min. (Turbo)
		52 min. (High speed)
		200 min. (Low speed)
	With two 12 Ah Battery Packs	48 min. (Turbo)
		63 min. (High speed)
		240 min. (Low speed)
Bluetooth Operating Frequency Band		2400 - 2438 MHz
Bluetooth Maximum Transmission Power		5 dBm
Weight (without battery pack)		7.7 kg
Recommended Operating Temperature		-15°C - 40°C
Recommended Storage Temperature		-20°C - 70°C
Measured sound power level L _{WA}		97 dB(A) K=1.1 dB(A)
Sound pressure level at operator's ear L _{PA}		82 dB(A) K=3 dB(A)
Guaranteed sound power level L _{WA} (measured according to 2000/14/EC)		98 dB(A)
Vibration a _h		0.35 m/s ² K=1.5 m/s ²

- The declared vibration total value has been measured in accordance with a standard test method and may be used for comparing one tool with another;
- The declared vibration total value may also be used in a preliminary assessment of exposure.

NOTICE: The vibration emission during actual use of the power tool can differ from the declared value in which the tool is used; In order to protect the operator, user should wear gloves and ear protectors in the actual conditions of use.

PACKING LIST (FIG. A1)

DESCRIPTION

KNOW YOUR BLOWER (Fig. A1)

- Adjustable Support Harness
- Blower-tube Storage Knob
- Backpack Plate
- Control Handle
- Tapered Nozzle
- Blower Tube
- Control-handle Tube
- Bellows
- Air Inlet
- Assist Handle
- Electric Contacts
- Latch
- Battery-release Buttons
- Handle
- Speed Lock Button
- LCD Screen
- Turbo Button
- Air-speed Trigger
- Tube-hanging Groove
- Quick-release Levers
- Bluetooth Indicator
- Fuel Gauge
- Fan Icon
- Turbo Indicator
- Air-speed Indicator
- Speed Lock Icon
- Battery Icon

ASSEMBLY

⚠ WARNING: If any parts are damaged or missing, do not operate this product until the parts are replaced. Use of this product with damaged or missing parts could result in serious personal injury.

⚠ WARNING: Do not attempt to modify this product or create accessories not recommended for use with this blower. Any such alteration or modification is misuse and could result in a hazardous condition leading to possible serious personal injury.

⚠ WARNING: To prevent accidental starting that could cause serious personal injury, always remove the batteries from the tool when assembling parts.

ASSEMBLING THE BLOWER TUBES

Connecting the Control-Handle Tube to the Bellows

1. Insert the upper end of the control-handle tube into the bellows as far as it will go (Fig. B1).
2. Securely tighten the screw in the clamping collar affixed to the bellows (Fig. B2).

B1-1	Bellows	B1-2	Clamping Collar
B1-3	Upper End	B1-4	Control-handle Tube
B2-1	Screw		

Connecting the Blower Tube to the Control-Handle Tube

1. Loosen and remove the quick-release lever and wing nut from the tube clamp assembly affixed to the blower tube (Fig. C1).
2. Align the groove in the blower tube with the rib on the control-handle tube, slide the blower tube over the control-handle tube as far as it will go (Fig. C2).
3. Insert the pin of the quick-release lever and close the lever onto the tube clamp (Fig. C3).
4. Tighten the wing nut to secure the tube clamp (Fig. C4).

C1-1	Blower Tube	C1-2	Tube Clamp
C1-3	Quick-release Lever	C1-4	Wing Nut
C2-1	Blower Tube	C2-2	Control-handle Tube
C2-3	Groove	C2-4	Rib
C3-1	Pin		

Connecting the Tapered Nozzle to the Blower Tube

1. Align the groove in the nozzle with the latch on the tube. Push the nozzle over the tube until it securely snaps into place (Fig. D1).
2. **To remove the nozzle**, press and hold the nozzle-release button to disengage the latch, then pull the nozzle straight from the blower tube (Fig. D2).

D1-1	Nozzle-release Button	D1-2	Latch
------	-----------------------	------	-------

OPERATION

⚠ WARNING: Do not allow familiarity with this product to make you careless. Remember that a careless fraction of a second is sufficient to inflict serious injury.

⚠ WARNING: Do not use any attachments or accessories not recommended by the manufacturer of this product. The use of attachments or accessories not recommended can result in serious personal injury.

⚠ WARNING: Always remove the batteries from the product when you are assembling parts, making adjustments, cleaning, or when not in use. Removing the batteries will prevent accidental starting that could cause serious personal injury.

Before each use, inspect the entire product for damaged, missing, or loose parts, such as screws, nuts, bolts, caps, etc. Tighten securely all fasteners and caps and do not operate this product until all missing or damaged parts are replaced.

APPLICATION

You may use this product for the purposes listed below:

- Clearing leaves and miscellaneous yard debris from lawns and mulch beds.
- Clearing hard surfaces, such as driveways and walkways.
- Keeping decks and driveways free from leaves and pine needles.

NOTICE: The tool is to be used only for its prescribed purpose. Any other use is deemed to be a case of misuse.

ATTACHING/DETACHING THE BATTERY PACK

Use only with EGO's battery packs and chargers listed in Fig. A2.

Refer to corresponding battery packs and chargers manuals for more details.

Fully charge before first use.

NOTICE: For best performance, we recommend use of the EGO 56V battery pack BA3360T (6.0 Ah) or other EGO 56V battery packs with higher Ah rating.

The blower has two active battery ports, located on the left and right side of the battery port housing.

NOTE: The blower can operate off of one or two batteries. Using two batteries gives you a longer run time and efficient power draw managed by PEAK POWER™ technology.

When the battery packs are inserted into the corresponding battery ports marked with 1 or 2 on the backpack plate, and the blower is turned on, the corresponding battery icon will illuminate on the LCD screen (Fig. E1).

To Attach (Fig. E2)

Align the battery ribs with the mounting slots in one and press the battery pack down until you hear a "click". Attach the other battery.

To Detach

Depress the battery-release button and pull the battery pack out

⚠ WARNING: Always take care to note the location of your feet, children, or pets when pressing the battery-release button. Serious injury could result if the battery falls. NEVER remove the battery when in a high location.

E1-1	Battery Ports Number	E1-2	LCD Screen
E1-3	Battery Icon	E2-1	Battery Rib
E2-2	Mounting Slot	E2-3	Battery-release Button

POSITIONING THE BACKPACK BLOWER

⚠ WARNING: Dress properly to reduce the risk of injury when operating this machine. Do not wear loose clothing or jewelry. Wear eye and ear/hearing protection. Wear heavy, long pants, boots and gloves. Do not wear short pants, sandals or go barefoot.

Before using the backpack blower, make sure that the operator is wearing eye protection and proper clothing and can maintain a secure and balanced footing.

To Adjust the Support Harness

- Put your arms through the backpack straps to support the blower on your back.
- Temporarily adjust both shoulder straps to comfortable positions (Fig. F1), making sure that your elbow is comfortable.
- Snap the chest buckle and adjust the chest strap length if necessary (Fig. F2).
- Snap the waist buckle and adjust the waist strap length so that the backpack is securely supported by your hips (Fig. F3 & F4).

NOTE: The backpack shouldn't sit too high on your back; it should be positioned closer to your hips than to your shoulders.

⚠ WARNING: When emergency occurs, release the chest and waist buckles immediately to take off the backpack strap at each side. This is a quick release method.

- Readjust the shoulder straps for security and comfort. Make sure that the backpack sits securely on your back, with the weight supported by the waist strap, and without excess movement when you move (Fig. F5).
- Insert any extra length of the strap around the waist into the elastic on both sides (Fig. F6).
- To detach the backpack from your back, just press the waist and chest buckles to release them and lower the blower (Fig. F7).

F1-1	Shoulder Strap	F2-1	Chest Buckle
F3-1	Waist Buckle	F6-1	Elastic
F6-2	Extra length of Strap		

To Adjust the Control Handle

- Release the quick-release lever to move the control handle forward or backward as needed (Fig. G1 & G2) and then engage the quick-release lever to secure the control handle in place.
- You may also rotate the handle as needed for comfort (Fig. G3).

G1-1	Control Handle	G1-2	Quick-release Lever
------	----------------	------	---------------------

To Adjust the Control-Handle Tube Length (Fig. H1, H2)

- Release the quick-release lever.
- Move the blower tube to a comfortable operating position within the adjustment zone (Fig. H1).
- Engage the quick-release lever to secure the blower tube in place (Fig. H2).

H1-1	Blower Tube	H1-2	Quick-release Lever
H2-1	Adjustment Zone		

STARTING/STOPPING THE BLOWER

NOTE: The blower may not properly start if the battery pack or the blower temperature is -15°C or less. In this case, remove the battery pack from the blower, allow the battery pack and blower to warm up indoors for 10 minutes or longer. Reinstall the battery pack and try again.

Air-Speed Trigger (Fig. I1, I2)

- Depress the air-speed trigger to turn on the blower, then the LCD screen will display the fuel gauge, battery icon, and air speed indicator.

NOTE: 1 LED of the fuel gauge on the LCD screen flashes when the battery charge is low.

- The air speed of the blower is controlled with the variable speed trigger. More pressure on the trigger results in higher blowing speeds; less pressure on the trigger results in lower blowing speeds. Adjust the speed to suit the task at hand. The corresponding air speed indicator will display on the LCD screen.
- Release the air-speed trigger to turn off the blower. The LCD screen will turn off within a certain period of time after the trigger is released.

Turbo Mode

While the air-speed trigger is depressed and held, press the turbo button to increase the air flow to the maximum velocity (Fig. I1). Both the turbo indicator and the fan icon will illuminate on the LCD screen (Fig. I3).

NOTE: The blower will return to the previous speed when the turbo button is released.

Speed Lock Mode

The speed lock can be used to operate the blower without continuously pressing the air-speed trigger.

1. Depress the air-speed trigger until you reach the desired speed (Fig. I1).
2. Press the speed lock button. The speed lock icon will illuminate on the LCD screen (Fig. I4).
3. Then release the air-speed trigger, the blower will keep running at “desired” speed.

NOTE: Pressing the turbo button while in speed lock mode can lock the air speed at the maximum level. The blower will resume the previous speed when you press the turbo button once more.

4. **To release the speed lock**, press the speed lock button again. The speed lock icon will disappear from the LCD screen and the blower will turn off.

I1-1	Turbo Button	I1-2	Speed Lock Button
I1-3	Air-speed Trigger	I2-1	Fuel Gauge
I2-2	Air-speed Indicator	I2-3	Battery Icon
I3-1	Fan Icon	I3-2	Turbo Indicator
I4-1	Speed Lock Icon		

COMMUNICATION TECHNOLOGY

For information on our full range of connected products and services, including connection instructions, please scan the QR Code below or visit www.egopowerplus.eu/connect.



TIPS FOR USING THE BLOWER

- To keep from scattering debris, blow around the outer edges of a debris pile. Never blow directly into the center of a pile.
- To reduce sound levels, limit the number of pieces of equipment used at any one time.
- Use rakes and brooms to loosen debris before blowing. In dusty conditions, slightly dampen surfaces if water is available.
- Watch out for children, pets, open windows, or freshly washed cars, and blow debris safely away.
- After using blowers or other equipment, clean up! Dispose of debris properly.

MAINTENANCE

⚠ WARNING: When servicing, use only identical replacement parts. Use of any other parts may create a hazard or cause product damage. To ensure safety and reliability, all repairs should be performed by a qualified service technician.

⚠ WARNING: To avoid serious personal injury, always remove the battery pack from the product when cleaning or performing any maintenance.

GENERAL MAINTENANCE

Avoid using solvents when cleaning plastic parts. Most plastics are susceptible to damage from various types of commercial solvents and may be damaged by their use. Use clean cloths to remove dirt, dust, oil, grease, etc.

⚠ WARNING: Do not at any time let brake fluids, petrol, petroleum-based products, penetrating oils, etc., come in contact with plastic parts. Chemicals can damage, weaken or destroy plastic which may result in serious personal injury.

EN

⚠ WARNING: To reduce the risk of fire, personal injury, and product damage due to a short circuit, never immerse your machine, battery pack or charger in fluid or allow a fluid to flow inside them. Corrosive or conductive fluids, such as seawater, certain industrial chemicals, and bleach or bleach containing products, etc., can cause a short circuit.

STORAGE

- Remove the battery pack(s) from the blower.
- Clean all foreign material from the air inlets of the blower.
- Align the blower-tube storage knob with the tube-hanging groove and hook the blower tube onto the battery port housing (Fig. J1 & J2).
- Store in an enclosed space that is inaccessible to children. Keep away from corrosive agents, such as garden chemicals and de-icing salts.

J1-1	Blower-Tube Storage Knob	J1-2	Tube-Hanging Groove
------	--------------------------	------	---------------------

Protecting the environment



Do not dispose of electrical equipment, used battery and charger into household waste! Take this product to an authorized recycler and make it available for separate collection. Electric tools must be returned to an environmentally compatible recycling facility.

TROUBLESHOOTING

PROBLEM	CAUSE	SOLUTION
Blower doesn't work.	<ul style="list-style-type: none"> ■ The battery pack is not attached to the blower. 	<ul style="list-style-type: none"> ■ Attach the battery pack to the blower.
	<ul style="list-style-type: none"> ■ No electrical contact between the blower and battery. 	<ul style="list-style-type: none"> ■ Remove battery pack, check contacts and reinstall the battery pack.
	<ul style="list-style-type: none"> ■ The battery pack charge is depleted. 	<ul style="list-style-type: none"> ■ Charge the battery pack.
	<ul style="list-style-type: none"> ■ The battery pack or blower is too hot. 	<ul style="list-style-type: none"> ■ Cool the battery pack and blower until their temperature drops below 67°C.
	<ul style="list-style-type: none"> ■ Damaged air-speed trigger. 	<ul style="list-style-type: none"> ■ Contact EGO Customer Service for repair.
	<ul style="list-style-type: none"> ■ The battery pack or blower is too cold. 	<ul style="list-style-type: none"> ■ Remove the battery pack, allow the battery pack and blower to warm up indoors. It is recommended to fully charge the battery pack and start the blower at low speed without activating the Turbo mode.
The speed lock mode cannot be turned on or off.	<ul style="list-style-type: none"> ■ Damaged speed lock button. 	<ul style="list-style-type: none"> ■ Contact EGO Customer Service for repair.
The air speed is noticeably reduced.	<ul style="list-style-type: none"> ■ The battery charge is low. 	<ul style="list-style-type: none"> ■ Charge the battery pack.
	<ul style="list-style-type: none"> ■ Excessive wear of motor fan. 	<ul style="list-style-type: none"> ■ Contact EGO service for repair.
	<ul style="list-style-type: none"> ■ The air inlet is blocked by debris. 	<ul style="list-style-type: none"> ■ Remove the battery pack, then clear the debris.
LCD screen not functioning properly.	<ul style="list-style-type: none"> ■ LCD screen or wire connection are damaged. 	<ul style="list-style-type: none"> ■ Contact EGO service for repair.
1 LED of the fuel gauge on the LCD screen flashes.	<ul style="list-style-type: none"> ■ The battery charge is low. 	<ul style="list-style-type: none"> ■ Charge the battery pack.

WARRANTY

EGO WARRANTY POLICY

Please visit the website egopowerplus.eu for full terms and conditions of the EGO Warranty policy.

ALLE ANWEISUNGEN LESEN!

DE



LESEN SIE DIE BETRIEBSANLEITUNG

⚠️ WARNUNG: Um die Sicherheit und Zuverlässigkeit zu gewährleisten, sollten alle Reparaturen nur von qualifizierten Servicetechnikern durchgeführt werden.

WARNSYMBOL

Der Zweck von Warnsymbolen besteht darin, Ihre Aufmerksamkeit auf mögliche Gefahren zu lenken. Die Warnsymbole und deren Erklärungen verdienen Ihre vollste Aufmerksamkeit und Beachtung. Durch die Warnsymbole allein sind die Gefahren noch nicht ausgeschaltet. Die Anweisungen und Warnhinweise stellen keinen Ersatz für angemessene Unfallverhütungsmaßnahmen dar.

⚠️ WARNUNG: Vor der Benutzung des Geräts sollten Sie alle Sicherheitshinweise in dieser Betriebsanleitung gelesen und verstanden haben. Das gilt auch für die Hinweise „GEFAHR“, „WARNUNG“ und „VORSICHT“. Die Nichtbeachtung der aufgeführten Hinweise kann zu Stromschlägen, Bränden und/oder schweren Verletzungen führen.

SYMBOLBEDEUTUNG

⚠️ WARNSYMBOL: Weist auf **GEFAHR**, **WARNUNG** oder **VORSICHT** hin und kann mit anderen Symbolen oder Piktogrammen zusammen verwendet werden.

SICHERHEITSHINWEISE

Auf dieser Seite werden die Warnsymbole vorgestellt und beschrieben, die sich unter Umständen an dem Gerät befinden. Vor dem Zusammenbau und der Inbetriebnahme müssen sämtliche Anweisungen am Gerät gelesen und genau befolgt werden.



Sicherheitswarnung



Tragen Sie immer einen Gehörschutz, wenn Sie das Gerät bedienen.



Halten Sie alle unbefugten Personen mindestens 15 m fern.



Dieses Produkt erfüllt die einschlägigen Vorschriften in GB.



Gleichstrom



Spritzwassergeschützt



Spannung



Celsius



Newton



Um das Verletzungsrisiko zu verringern, muss der Benutzer die Bedienungsanleitung vor der Verwendung des Gerätes gelesen haben.



Tragen Sie immer eine Schutzbrille, möglichst mit Seitenschutz, und einen vollständigen Gesichtsschutz, wenn Sie das Gerät bedienen.



Dieses Produkt erfüllt die einschlägigen CE-Richtlinien.



Elektrische Altgeräte dürfen nicht im Hausmüll entsorgt werden. Bringen Sie das Gerät zu einer offiziellen Recycling-Annahmestelle.



Bluetooth®-Symbol



Garantierter Schallleistungspegel. Geräuschemission an die Umgebung gemäß Richtlinie der Europäischen Gemeinschaft.



Kilogramm



Kubikmeter pro Stunde



Meter pro Sekunde

TECHNISCHE DATEN

Spannung	56 V	
Maximales Luftvolumen	1360 m ³ /h	
Maximale Luftgeschwindigkeit	85 m/s	
Maximale Blasstärke	26 N	
Ungefähre Laufzeit	Mit zwei 6,0-Ah-Akkusätze	24 Min. (Turbo)
		32 Min. (Hohe Stufe)
		120 Min. (Niedrige Stufe)
	Mit zwei 7,5-Ah-Akkusätze	30 Min. (Turbo)
		40 Min. (Hohe Stufe)
		150 Min. (Niedrige Stufe)
	Mit zwei 10-Ah-Akkusätze	40 Min. (Turbo)
		52 Min. (Hohe Stufe)
		200 Min. (Niedrige Stufe)
	Mit zwei 12-Ah-Akkusätze	48 Min. (Turbo)
		63 Min. (Hohe Stufe)
		240 Min. (Niedrige Stufe)
Bluetooth Frequenzband	2400 - 2438 MHz	
Maximale Bluetooth-Sendeleistung	5 dBm	
Gewicht (ohne Akku)	7,7 kg	
Empfohlene Betriebstemperatur	-15 - 40 °C	
Empfohlene Lagertemperatur	-20°C - 70°C	
Gemessener Schalleistungspegel L _{WA}	97 dB(A) K=1,1 dB(A)	
Schalldruckpegel am Ohr des Bedieners L _{PA}	82 dB(A) K=3 dB(A)	
Garantierter Schalleistungspegel L _{WA} (gemäß Messung nach 2000/14/CE)	98 dB(A)	
Vibration a _n	0,35 m/s ² K=1,5 m/s ²	

- Der angegebene Vibrationsgesamtwert wurde nach einem Standard-Prüfverfahren gemessen und kann zum Vergleich mit einem anderen Werkzeug herangezogen werden;
- Der angegebene Vibrationsgesamtwert kann auch zur vorläufigen Risikobewertung herangezogen werden.

HINWEIS: Die beim Einsatz des Elektrowerkzeugs entstehenden Istvibrationen können von dem angegebenen Wert abweichen. Zum Schutz des Benutzers sollten Handschuhe und ein Gehörschutz während des Geräteeinsatzes getragen werden.

DE

PACKLISTE (ABB. A1)

BESCHREIBUNG

AUFBAU (Abb. A1)

1. Verstellbare Tragegurte
2. Knopf für Bläserrohrabwahrung
3. Rucksackplatte
4. Steuerhebel
5. Konischer Düsenaufsatz
6. Laubbläserrohr
7. Steuergriffrohr
8. Faltenbälge
9. Lufteinlass
10. Zusatzgriff
11. Elektrische Kontakte
12. Riegel
13. Akku-Entriegelungstasten
14. Griff
15. Schalter für Gebläsestufenverriegelung
16. LC-Display
17. Turboschalter
18. Gebläsestufenregler
19. Rohraufhängungsrille
20. Schnellspannhebel
21. Bluetooth-Anzeige
22. Ladestandsanzeige
23. Ventilator-Symbol
24. Turbo-Anzeige
25. Gebläsestufenanzeige
26. Verriegelungssymbol
27. Akkusymbol

MONTAGE

⚠️ WARNUNG: Gerät nicht in Betrieb setzen, wenn Teile schadhaft sind oder fehlen. Fehlende oder beschädigte Teile zuerst ersetzen. Die Verwendung dieses Produkts mit beschädigten oder fehlenden Teilen kann zu schweren Verletzungen führen.

⚠️ WARNUNG: Versuchen Sie nicht, dieses Produkt zu verändern oder Zubehörteile zu verwenden, die für den Einsatz dieses Laubbläser nicht empfohlen werden. Derartige Umbauten oder Veränderungen stellen eine Zweckentfremdung dar und können zu schweren Verletzungen führen.

⚠️ WARNUNG: Um das unbeabsichtigte Starten, das zu schweren Verletzungen führen könnte, zu verhindern, entfernen Sie immer die Akkus aus dem Werkzeug, wenn Sie Teile montieren.

MONTAGE DER LAUBBLÄSERROHRE

Verbinden des Steuergriffrohrs mit den Faltenbälgen

1. Führen Sie das obere Ende des Steuergriffrohrs bis zum Anschlag in den Faltenbalg ein (Abb. B1).
2. Ziehen Sie die Schraube in der am Faltenbalg befestigten Spannmanschette fest an (Abb. B2).

B1-1	Faltenbälge	B1-2	Klemmring
B1-3	Oberes Ende	B1-4	Steuergriffrohr
B2-1	Schraube		

Verbinden des Laubbläserrohrs mit dem Rohr des Steuergriffs

1. Lösen und entfernen Sie den Schnellspannhebel und die Flügelmutter von der am Laubbläserrohr befestigten Rohrschelle (Abb. C1).
2. Richten Sie die Nut im Laubbläserrohr auf den Steg am Steuergriffrohr aus und schieben Sie das Laubbläserrohr bis zum Anschlag über das Steuergriffrohr (Abb. C2).
3. Stecken Sie den Stift des Schnellspannhebels ein und schließen Sie den Hebel auf der Rohrschelle (Abb. C3).
4. Ziehen Sie die Flügelmutter an, um die Rohrschelle zu befestigen (Abb. C4).

C1-1	Laubbläserrohr	C1-2	Rohrklemme
C1-3	Schnellspannhebel	C1-4	Flügelmutter
C2-1	Laubbläserrohr	C2-2	Steuergriffrohr
C2-3	Nut	C2-4	Steg
C3-1	Stift		

Verbindung der konischen Düse mit dem Laubbläserrohr

1. Richten Sie die Nut in der Düse auf den Verschluss am Rohr aus. Schieben Sie die Düse auf das Rohr, bis sie sicher einrastet (Abb. D1).

2. Halten Sie zum Entfernen der Düse die Düsenentriegelung gedrückt, um die Verriegelung zu lösen und ziehen Sie die Düse gerade vom Laubbläser ab (Abb. D2).

D1-1	Düsenentriegelung	D1-2	Riegel
------	-------------------	------	--------

BETRIEB

⚠️ WARNUNG: Auch wenn Sie sich mit dem Gerät auskennen, sollten Sie sich nicht zu einer gewissen Nachlässigkeit verleiten lassen. Denken Sie daran, dass ein kurzer Moment der Unachtsamkeit zu ernsthaften Verletzungen führen kann.

⚠️ WARNUNG: Verwenden Sie keine Anbauwerkzeuge oder Zubehörteile, die nicht vom Hersteller dieses Produkts empfohlen worden sind. Der Gebrauch von nicht empfohlenen Anbauwerkzeugen oder Zubehör kann zu schweren Verletzungen führen.

⚠️ WARNUNG: Entfernen Sie immer die Akkus aus dem Produkt, wenn Sie Teile montieren, Anpassungen vornehmen, etwas säubern oder wenn das Gerät nicht benutzt wird. Das Entfernen der Akkus beugt dem unabsichtlichen Starten vor, das zu schweren Verletzungen führen kann.

Inspizieren Sie das gesamte Produkt vor jeder Benutzung auf beschädigte, fehlende oder lockere Teile, wie z.B. Schrauben, Muttern, Bolzen, Abdeckungen usw. Ziehen Sie alle Befestigungsteile und Abdeckungen an und bedienen Sie das Produkt nicht, bis alle beschädigten oder fehlenden Teile ersetzt worden sind.

VERWENDUNGSZWECK

Sie können dieses Produkt für die unten aufgeführten Zwecke einsetzen:

- Laub und verschiedene Gartenabfälle von Rasenflächen und Mulchbeeten entfernen;
- Harte Oberflächen wie Zufahrtswege und Gehwege freiblasen;
- Blätter und Kiefernadeln von Terrassen und Zufahrten entfernen.

HINWEIS: Das Gerät darf nur für den bestimmungsgemäßen Zweck verwendet werden. Jede andere Verwendung gilt als Zweckentfremdung.

ANBRINGEN/ABNEHMEN DES AKKUS

Nur die in Abb. A2 aufgeführten EGO Akkus und Ladegeräte verwenden.

Weitere Einzelheiten finden Sie in den entsprechenden Anleitungen der Akkus und Ladegeräte.

Vor dem ersten Gebrauch voll aufladen

HINWEIS: Für eine optimale Leistung empfehlen wir die Verwendung des EGO 56-V-Akkupacks BA3360T (6,0 Ah) oder anderer EGO 56-V-Akkus mit höherer Ah-Nennleistung.

Der Laubbläser hat zwei aktive Akkuanschlüsse, die sich auf der linken und rechten Seite des Akkufachs befinden.

ANMERKUNG: Der Laubbläser kann mit einer oder zwei Akkus betrieben werden. Durch die Verwendung von zwei Akkus erhalten Sie eine längere Laufzeit und eine effiziente Leistungsaufnahme, die durch die PEAK POWER™-Technologie gesteuert wird.

Wenn die Akkusätze in die entsprechenden Akkuanschlüsse gesteckt werden, die auf der Rucksackplatte mit 1 oder 2 gekennzeichnet sind, und der Laubbläser eingeschaltet wird, leuchtet das entsprechende Akkusymbol auf dem LC-Display auf (Abb. E1).

Einsetzen (Abb. E2)

Schieben Sie die Akku-Gehäusestege in die Aussparungen des Akkufachs ein, und drücken Sie den Akku nach unten, bis er hörbar einrastet. Schieben Sie den anderen Akku ein.

Abnehmen

Drücken Sie die Akkuentriegelung und ziehen Sie den Akku heraus.

⚠️ WARNUNG: Achten Sie immer auf Ihre Füße und auf Kinder oder Haustiere, wenn Sie die Akkuentriegelung drücken. Das Fallenlassen des Akkus kann zu ernsthaften Verletzungen führen. Entfernen Sie den Akku NIEMALS aus einer hohen Position heraus.

E1-1	Anzahl der Akkuanschlüsse	E1-2	LC-Display
E1-3	Akkusymbol	E2-1	Akku-Gehäusesteg
E2-2	Aufnahme	E2-3	Akkuentriegelung

POSITIONIERUNG DES RÜCKENTRAGBAREN LAUBLÄSERS

⚠️ WARNUNG: Tragen Sie geeignete Kleidung, um das Verletzungsrisiko bei der Benutzung dieser Maschine zu reduzieren. Tragen Sie keine weite Kleidung oder Schmuck. Tragen Sie einen Augen- und Gehörschutz. Tragen Sie eine robuste lange Hose, Stiefel und Handschuhe. Tragen Sie keine kurze Hose, Sandalen oder gehen Sie barfuß.

Vergewissern Sie sich vor der Verwendung des Rucksack-Laubbläfers, dass der Bediener einen Augenschutz und

angemessene Kleidung trägt, das Gleichgewicht halten und einen sicheren Stand einnehmen kann.

Einstellung der Tragegurte

1. Hängen Sie sich das Tragegeschirr des Laubbläfers wie einen Rucksack auf den Rücken.
2. Ziehen Sie beide Schultergurte bequem fest (Abb. F1), so dass der Ellbogen gute Bewegungsfreiheit hat.
3. Schließen Sie die Brustschnalle und passen Sie bei Bedarf die Länge des Brustgurts an (Abb. F2).
4. Schließen Sie die Hüftschnalle und stellen Sie die Länge des Hüftgurts so ein, dass der Rucksack sicher von Ihren Hüften gestützt wird (Abb. F3 & F4).

ANMERKUNG: Das Tragegeschirr soll nicht zu hoch auf dem Rücken sitzen, sondern näher an den Hüften als an den Schultern.

- ⚠️ WARNUNG:** Wenn ein Notfall eintritt, lösen Sie sofort die Brust- und Hüftschnallen, um den Rucksackgurt an jeder Seite zu entfernen. Dies ist eine Schnellfreigabemethode.
5. Stellen Sie die Schultergurte nach, damit sie sicher und bequem sind. Vergewissern Sie sich, dass das Tragegeschirr sicher auf Ihrem Rücken sitzt und beim Bewegen nicht rutscht und das Gewicht vom Hüftgurt getragen wird (Abb. F5).
 6. Stecken Sie den überschüssige Hüftgurtlänge in die Gummiosen auf beiden Seiten (Abb. F6).
 7. Zum Abnehmen des Rucksacks von Ihrem Rücken brauchen Sie lediglich die Schnallen des Hüft- und Brustgurts zu öffnen und den Laubbläser ablegen (Abb. F7).

F1-1	Schultergurt	F2-1	Brustgurtschnalle
F3-1	Hüftschnalle	F6-1	Gummiose
F6-2	Zusätzliche Länge des Gurts		

Einstellung des Steuergriffs

1. Lassen Sie den Schnellspannhebel los, um den Steuergriff nach Bedarf vorwärts oder rückwärts zu bewegen (Abb. G1 und G2), und lassen Sie dann den Schnellspannhebel einrasten, um den Steuerhebel zu sichern.
2. Der Griff lässt sich für noch besseren Komfort auch drehen (Abb. G3).

G1-1	Steuerhebel	G1-2	Schnellspannhebel
------	-------------	------	-------------------

Einstellung der Länge des Steuergriffrohrs (Abb. H1, H2)

1. Lösen Sie den Schnellspannhebel.
2. Bringen Sie das Laubbläserrohr in eine bequeme Betriebsposition innerhalb des Einstellbereichs (Abb. H1).
3. Lassen Sie den Schnellspannhebel einrasten, um das Laubbläserrohr zu befestigen (Abb. H2).

H1-1	Laubbläserrohr	H1-2	Schnellspannhebel
H2-1	Einstellbereich		

STARTEN/STOPPEN DES LAUBBLÄSERS

ANMERKUNG: Der Laubbläser startet möglicherweise nicht richtig, wenn die Temperatur des Akkus oder des Laubbläsers -15°C oder weniger beträgt. Nehmen Sie in diesem Fall den Akku aus dem Laubbläser und lassen Sie den Akku sowie den Laubbläser mindestens 10 Minuten lang in einem Raum aufwärmen. Setzen Sie den Akku wieder ein und versuchen Sie es erneut.

Gebläsestufenregler (Abb. I1, I2)

- Drücken Sie den Gebläsestufenregler, um den Laubbläser einzuschalten. Auf dem LC-Display leuchten dann die Ladeanzeige, das Akkusymbol und die Gebläsestufenanzeige.

HINWEIS: Wenn der Akku-Ladestand niedrig ist, blinkt 1 LED der Ladestandsanzeige im LC-Display.

- Die Gebläsestufe wird mit dem variablen Gebläsestufenregler eingestellt. Je stärker der Gebläsestufenregler gedrückt wird, desto höher ist die Gebläsestufe. Bei nachlassendem Druck auf den Schalter verringert sich der Luftstrom des Gebläses. Die Gebläsestufe sollte für die auszuführenden Arbeiten geeignet sein. Die entsprechende Anzeige für die Gebläsestufe wird auf dem LC-Display angezeigt.
- Lassen Sie den Gebläsestufenregler los, um den Laubbläser auszuschalten. Nach dem Loslassen des Schalters stellt sich der LCD-Bildschirm nach einer bestimmten Zeit aus.

TURBO-Modus

Drücken Sie die Turbotaste, um den Luftstrom auf die maximale Geschwindigkeit zu erhöhen, während Sie den Gebläsestufenregler gedrückt gehalten (Abb. I1). Sowohl die Turboanzeige als auch das Ventilatorsymbol leuchten auf dem LC-Display auf (Abb. I3).

ANMERKUNG: Nach dem Loslassen des Turboschalters kehrt der Laubbläser zur vorherigen Gebläsestufe zurück.

Gebläsestufenverriegelung

Die Gebläsestufenverriegelung kann verwendet werden, um den Laubbläser zu betreiben, ohne den Gebläsestufenregler gedrückt zu halten.

1. Drücken Sie den Gebläsestufenregler, bis Sie die gewünschte Gebläsestufe erreicht haben (Abb. I1).
2. Drücken Sie die Gebläsestufenverriegelung. Das Gebläsestufenverriegelungssymbol leuchtet auf dem LC-Display auf (Abb. I4).
3. Lassen Sie dann den Gebläsestufenregler los, der Laubbläser läuft mit der „gewünschten“ Drehzahl weiter.

HINWEIS: Wird der Turboschalter bei verriegelter Gebläsestufe gedrückt, schaltet die Verriegelung auf Höchstgeschwindigkeit um. Bei erneutem Drücken des Turboschalters wechselt der Laubbläser wieder zur vorherigen Stufe zurück.

4. Drücken Sie erneut auf den Verriegelungsschalter, um die Gebläsestufenverriegelung auszuschalten. Das Verriegelungssymbol erlischt im LC-Display und das Gerät schaltet sich aus.

I1-1	Turboschalter	I1-2	Schalter für Gebläsestufenverriegelung
I1-3	Gebläsestufenregler	I2-1	Ladestandsanzeige
I2-2	Gebläsestufenanzeige	I2-3	Akkusymbol
I3-1	Ventilator-Symbol	I3-2	Turbo-Anzeige
I4-1	Verriegelungssymbol		

KOMMUNIKATIONSTECHNIK

Für Informationen oder unser gesamtes Angebot an verbundenen Produkten und Dienstleistungen, einschließlich Verbindungsanweisungen, scannen Sie bitte den QR-Code unten oder besuchen Sie www.egopowerplus.eu/connect.



TIPPS FÜR DEN GEBRAUCH DES LAUBBLÄSERS

- Blasen Sie an den Außenkanten des Schmutzhaufens entlang, damit die Laubreste nicht verstreut werden. Blasen Sie niemals direkt in die Mitte eines Haufens.
- Um nicht zu viel Lärm zu machen, sollte die Anzahl der gleichzeitig eingesetzten Geräte begrenzt bleiben.
- Lockern Sie den Schmutz mit einen Rechen oder Besen vor dem Wegblasen. Unter staubigen Bedingungen befeuchten Sie die Oberflächen etwas, wenn Ihnen Wasser zur Verfügung steht.
- Geben Sie auf Kinder, Tiere, offene Fenster oder frisch gewaschene Autos Acht. Blasen Sie den Schmutz vorsichtig weg.
- Säubern Sie den Ort nach der Benutzung des Gebläses oder anderer Geräte! Entsorgen Sie den Schutt ordnungsgemäß.

WARTUNG

⚠️ WARNUNG: Bei der Wartung nur identische Ersatzteile verwenden. Die Verwendung anderer Teile kann Unfälle und Schäden am Gerät hervorrufen. Um die Sicherheit und Zuverlässigkeit zu gewährleisten, sollten alle Reparaturen nur von qualifizierten Servicetechnikern durchgeführt werden.

⚠️ WARNUNG: Um ernsthafte Personenschäden zu vermeiden, entfernen Sie immer den Akku aus dem Produkt, wenn Sie das Gerät säubern oder Wartungsarbeiten vornehmen.

ALLGEMEINE WARTUNG

Zum Reinigen von Kunststoffteilen Lösungsmittel vermeiden. Die verschiedenen handelsüblichen Lösungsmittel greifen die meisten Kunststoffe an. Verwenden Sie saubere Lappen zum Entfernen von Schmutz, Staub, Öl, Fett usw.

⚠️ WARNUNG: Achten Sie immer darauf, dass Bremsflüssigkeit, Benzin, Mineralöl-Erzeugnisse, Kriechöle usw. nicht mit den Kunststoffteilen in Kontakt kommen. Chemikalien können Kunststoffe angreifen, schwächen oder zerstören, was zu schweren Verletzungen führen kann.

⚠️ WARNUNG: Um das Risiko von Bränden, Verletzungen und Produktschäden aufgrund eines Kurzschlusses zu verringern, tauchen Sie Ihr Gerät, Ihren Akku oder Ihr Ladegerät niemals in Flüssigkeit und lassen Sie keine Flüssigkeit eindringen. Ätzende oder leitfähige Flüssigkeiten wie Meerwasser, bestimmte Industriechemikalien und Bleichmittel oder bleichmittelhaltige Produkte usw. können einen Kurzschluss verursachen.

LAGERUNG

- Nehmen Sie die Akkusätze vom Laubbläser ab.
- Entfernen Sie alle Fremdkörper von den Lufteinlässen des Laubbläfers.
- Hängen Sie das Laubbläserrohr mit der Rohraufhängungsrille auf den dafür vorgesehenen Knopf des Akkkufachs (Abb. J1 und J2).
- Lagern Sie das Gerät in einem geschlossenen Raum, der für Kinder nicht zugänglich ist. Vor zersetzenden Mitteln wie Gartenchemikalien oder Streusalz fern halten.

J1-1	Knopf für Bläserrohraufbewahrung	J1-2	Rohraufhängungsrille
------	----------------------------------	------	----------------------

Schutz der Umwelt



Elektrogeräte, alte Akkus und Ladegeräte dürfen nicht im Hausmüll entsorgt werden! Das Gerät muss einer offiziellen Recycling-Sammelstelle zur getrennten Entsorgung zugeführt werden. Elektrowerkzeuge müssen bei einem umweltfreundlichen Recycling-Betrieb abgegeben werden.

STÖRUNGSBEHEBUNG

DE

PROBLEM	URSACHE	LÖSUNG
Laubbläser funktioniert nicht.	<ul style="list-style-type: none"> Der Akku ist nicht am Gerät angeschlossen. 	<ul style="list-style-type: none"> Akku am Laubbläser anschließen.
	<ul style="list-style-type: none"> Kein elektrischer Kontakt zwischen Laubbläser und Akku. 	<ul style="list-style-type: none"> Akku abnehmen, Kontakte überprüfen und wieder anschließen.
	<ul style="list-style-type: none"> Der Akku ist entladen. 	<ul style="list-style-type: none"> Laden Sie den Akku auf.
	<ul style="list-style-type: none"> Der Akku oder der Laubbläser ist zu heiß. 	<ul style="list-style-type: none"> Akku und Laubbläser abkühlen lassen, bis die Temperatur unter 67 °C gesunken ist.
	<ul style="list-style-type: none"> Defekter Gebläsestufenregler. 	<ul style="list-style-type: none"> Wenden Sie sich zwecks Reparatur an den EGO-Kundendienst.
	<ul style="list-style-type: none"> Der Akku oder der Laubbläser ist kalt. 	<ul style="list-style-type: none"> Nehmen Sie den Akku heraus und lassen Sie den Akku und den Laubbläser in einem Raum aufwärmen. Es wird empfohlen, den Akku vollständig aufzuladen und den Laubbläser bei niedriger Geschwindigkeit zu starten, ohne den Turbomodus zu aktivieren.
Die Gebläsestufenverriegelung kann nicht ein- oder ausgeschaltet werden.	<ul style="list-style-type: none"> Defekter Gebläsestufen-Verriegelungsschalter. 	<ul style="list-style-type: none"> Wenden Sie sich zwecks Reparatur an den EGO-Kundendienst.
Die Luftgeschwindigkeit hat spürbar nachgelassen.	<ul style="list-style-type: none"> Die Akkuladung ist schwach. 	<ul style="list-style-type: none"> Laden Sie den Akku auf.
	<ul style="list-style-type: none"> Zu starker Verschleiß des Lüftermotors. 	<ul style="list-style-type: none"> Wenden Sie sich zur Reparatur an das EGO-Servicezentrum.
	<ul style="list-style-type: none"> Der Lufteinlass ist durch Schmutz blockiert. 	<ul style="list-style-type: none"> Akku abnehmen, dann den Schmutz beseitigen.
Das LC-Display funktioniert nicht richtig.	<ul style="list-style-type: none"> Das LC-Display oder die Kabelverbindung sind beschädigt. 	<ul style="list-style-type: none"> Wenden Sie sich zur Reparatur an das EGO-Servicezentrum.
1 LED der Ladestandsanzeige blinkt auf dem LC-Display.	<ul style="list-style-type: none"> Die Akkuladung ist schwach. 	<ul style="list-style-type: none"> Laden Sie den Akku auf.

GARANTIE

EGO-GARANTIEBEDINGUNGEN

Sämtliche EGO-Garantiebedingungen finden Sie auf der Website egopowerplus.eu.

LISEZ TOUTES LES INSTRUCTIONS!



LISEZ LE MANUEL D'UTILISATION

FR

⚠ AVERTISSEMENT : Pour garantir la sécurité et la fiabilité, toutes les réparations doivent être effectuées par un réparateur qualifié.

SYMBOLES DE SÉCURITÉ

L'objectif des symboles de sécurité est d'attirer votre attention sur des dangers potentiels. Les symboles de sécurité et les explications les accompagnant doivent être lus attentivement et compris. Les symboles de mise en garde ne permettent pas par eux-mêmes d'éliminer les dangers. Les consignes et mises en garde ne se substituent pas à des mesures de prévention appropriées des accidents.

⚠ AVERTISSEMENT : Veuillez à lire et comprendre toutes les consignes de sécurité du présent mode d'emploi, y compris les symboles d'alerte de sécurité tels que « **DANGER** », « **AVERTISSEMENT** » et « **ATTENTION** » avant d'utiliser cette machine. Le non-respect de toutes les instructions énumérées ci-dessous peut entraîner un choc électrique, un incendie et / ou des blessures graves.

SIGNIFICATION DES SYMBOLES

⚠ SYMBOLE DE MISE EN GARDE DE SÉCURITÉ : Indique un **DANGER**, un **AVERTISSEMENT** ou une **MISE EN GARDE**, peut être utilisé en conjonction avec d'autres symboles ou pictogrammes.

CONSIGNES DE SÉCURITÉ

Cette page décrit des symboles de sécurité pouvant être présents sur ce produit. Lisez, comprenez et respectez toutes les instructions présentes sur l'outil avant d'essayer de l'assembler et de l'utiliser.



Alerte de sécurité



Portez toujours une protection auditive lorsque vous utilisez ce produit.



Maintenir toutes les autres personnes éloignées d'au moins 15 m.



Cette machine est conforme à la législation britannique applicable.



Courant continu

IPX5

Protection contre les projections d'eau

V

Tension

°C

Celsius

N

Newton



Pour réduire le risque de blessures, l'utilisateur doit lire le manuel d'utilisation avant d'utiliser ce produit.



Portez toujours un masque de sécurité ou des lunettes de sécurité avec boucliers latéraux et un masque facial intégral lors de l'utilisation de ce produit.



Ce produit est conforme aux directives CE applicables.



Les produits électriques usagés ne doivent pas être jetés avec les ordures ménagères. Apportez-les dans un centre de recyclage agréé.



Symbole Bluetooth®



Niveau de puissance acoustique garanti. Émission de bruit dans l'environnement conformément à la directive CE.

kg

Kilogramme

m³/h

Mètres cubes par heure

m/s

Mètres par seconde

SPÉCIFICATIONS

FR

Tension	56 V	
Volume d'air maximal	1360 m ³ /h	
Vitesse maximale de l'air	85 m/s	
Force de soufflage maximale	26 N	
Durée d'autonomie approximative	Avec deux batteries de 6,0 Ah	24 min. (Turbo)
		32 min. (haute vitesse)
		120 min. (basse vitesse)
	Avec deux batteries de 7,5 Ah	30 min. (Turbo)
		40 min. (haute vitesse)
		150 min. (basse vitesse)
	Avec deux batteries de 10 Ah	40 min. (Turbo)
		52 min. (haute vitesse)
		200 min. (basse vitesse)
	Avec deux batteries de 12 Ah	48 min. (Turbo)
		63 min. (haute vitesse)
		240 min. (basse vitesse)
Bande de fréquence de fonctionnement Bluetooth	2400 - 2438 MHz	
Puissance de transmission Bluetooth maximale	5 dBm	
Poids (sans batterie)	7,7 kg	
Température d'utilisation recommandée	-15 °C - 40 °C	
Température de stockage recommandée	-20 °C - 70 °C	
Niveau de puissance acoustique mesuré L _{WA}	97 dB(A) K=1,1 dB(A)	
Niveau de pression acoustique au niveau des oreilles de l'opérateur L _{PA}	82 dB(A) K=3 dB(A)	
Niveau de puissance acoustique garanti L _{WA} (conformément à la norme 2000/14/CE)	98 dB(A)	
Vibration a _h	0,35 m/s ² K=1,5 m/s ²	

- La valeur totale des vibrations indiquée a été mesurée selon une procédure conforme à une méthode de test standardisée et peut servir pour comparer différents outils;

- La valeur totale des vibrations déclarée peut également servir pour effectuer une évaluation préliminaire de l'exposition.

REMARQUE : Le niveau de vibrations lors de l'utilisation réelle de l'outil peut être différent de la valeur déclarée totale en fonction de la manière dont l'outil est utilisé ; Afin de protéger l'opérateur, l'utilisateur doit porter des gants et des protecteurs d'oreilles en conditions réelles d'utilisation.

CONTENU DE L'EMBALLAGE (FIG. A1)

DESCRIPTION

DESCRIPTION DE VOTRE SOUFFLEUR (Fig. A1)

- Harnais Réglable
- Boucle de rangement du tube de soufflage
- Plaque de sac à dos
- Poignée de contrôle
- Buse conique
- Tube de soufflage
- Tube de poignée de contrôle
- Soufflet
- Entrée d'air
- Poignée de manœuvre
- Contacts électriques
- Loquet
- Boutons de déblocage de la batterie
- Poignée
- Bouton de verrouillage de vitesse
- Écran LCD
- Bouton Turbo
- Gâchette de la vitesse de l'air
- Rainure d'accrochage du tube
- Manettes à retrait rapide
- Indicateur Bluetooth
- Jauge de carburant
- Îcône de ventilateur
- Indicateur de turbo
- Indicateur de vitesse de l'air
- Îcône de verrouillage de vitesse
- Îcône de batterie

ASSEMBLAGE

⚠ AVERTISSEMENT : Si une ou plusieurs pièces sont manquantes ou endommagées, n'utilisez pas cet outil tant que toutes les pièces n'ont pas été remplacées. Utiliser

cet outil avec des pièces endommagées ou manquantes peut provoquer des blessures corporelles graves.

⚠ AVERTISSEMENT : N'essayez pas de modifier ce souffleur ou de créer des accessoires non recommandés pour l'usage avec ce souffleur. De tels modifications et changements constituent un usage impropre et peuvent engendrer des situations dangereuses pouvant conduire à des blessures corporelles graves.

⚠ AVERTISSEMENT : Pour éviter un démarrage accidentel pouvant provoquer des blessures corporelles graves, retirez toujours les batteries de l'outil avant d'assembler des pièces.

ASSEMBLER LES TUBES DU SOUFFLEUR

Fixation de la poignée de contrôle au soufflet

1. Insérez l'extrémité supérieure du tube de la poignée de contrôle dans le soufflet aussi loin que possible (Fig. B1).
2. Serrez à fond la vis du collier de serrage fixé au soufflet (Fig. B2).

B1-1	Soufflet	B1-2	Collier de serrage
B1-3	Extrémité supérieure	B1-4	Tube de poignée de contrôle
B2-1	Vis		

Fixation du tube de soufflage au tube de la poignée de contrôle

1. Desserrez la manette de retrait rapide et l'écrou papillon et retirez-les du collier de serrage fixé sur le tube de soufflage (Fig. C1).
2. Alignez la rainure du tube de soufflage avec la nervure du tube de la poignée de contrôle, coulissez le tube de soufflage sur le tube de la poignée de contrôle aussi loin que possible (Fig. C2).
3. Insérez la goupille de la manette de retrait rapide et fermez la manette sur le collier de serrage (Fig. C3).
4. Serrez l'écrou papillon pour fixer le collier de serrage (Fig. C4).

C1-1	Tube de soufflage	C1-2	Collier de serrage
C1-3	Manette de retrait rapide	C1-4	Écrou papillon
C2-1	Tube de soufflage	C2-2	Tube de poignée de contrôle
C2-3	Rail	C2-4	Arête
C3-1	Goupille		

Fixation de la buse conique au tube de soufflage

1. Alignez la rainure de la buse avec le loquet situé sur le tube. Poussez la buse sur le tube jusqu'à ce qu'elle s'enclenche (Fig. D1).
2. **Pour retirer la buse,** maintenez le bouton de déblocage de la buse enfoncé pour dégager le loquet, puis tirez sur la buse pour la retirer du tube de soufflage (Fig. D2).

D1-1	Bouton de déblocage de la buse	D1-2	Loquet
------	--------------------------------	------	--------

FONCTIONNEMENT

⚠ AVERTISSEMENT : Veillez à ne pas devenir moins prudent(e) au fur et à mesure que vous vous familiarisez avec cet outil. Gardez à l'esprit qu'une fraction de seconde d'inattention peut suffire pour provoquer des blessures graves.

⚠ AVERTISSEMENT : N'utilisez aucun accessoire ou pièce non recommandé par le fabricant de ce produit. L'utilisation d'accessoires ou de pièces non recommandés peut provoquer des blessures corporelles graves.

⚠ AVERTISSEMENT : Retirez toujours les batteries du produit avant d'assembler des pièces, d'effectuer une opération de réglage ou de nettoyage et quand vous n'utilisez pas l'outil. Le retrait des batteries permet d'éviter un démarrage accidentel pouvant provoquer des blessures graves.

Avant chaque utilisation, inspectez le produit complet à la recherche de pièces endommagées, manquantes ou desserrées telles que des vis, écrous, boulons, capuchons, etc. Serrez fermement toutes les fixations et capuchons et ne faites pas fonctionner ce produit tant que toutes les pièces manquantes ou endommagées n'ont pas été remplacées.

APPLICATION

Vous pouvez utiliser cet outil pour les usages listés ci-dessous :

- Enlever les feuilles et divers déchets de jardin des pelouses et des lits de paillis.
- Nettoyer des surfaces dures, par exemple les voies d'accès et les allées.
- Maintenir les terrasses et les voies d'accès exemptes de feuilles et d'aiguilles de pin.

REMARQUE : L'outil ne doit être utilisé que pour son usage prévu. Toute autre utilisation est considérée comme inappropriée.

INSERTION / RETRAIT DE LA BATTERIE

Utilisez exclusivement les batteries et les chargeurs EGO listés au schéma A2.

FR

Reportez-vous aux manuels des batteries et des chargeurs correspondants pour plus de détails.

Rechargez complètement la batterie avant la première utilisation.

REMARQUE : Pour une performance optimale, nous recommandons l'utilisation de la batterie EGO 56V BA3360T (6,0 Ah) ou d'autres batteries EGO 56V avec une valeur Ah plus élevée.

Le souffleur est doté de deux ports de batterie actifs, situés sur les côtés gauche et droit du boîtier du port de batterie.

REMARQUE : Le souffleur peut fonctionner avec une ou deux batteries. L'utilisation de deux batteries vous offre une durée de fonctionnement plus longue ainsi qu'une consommation d'énergie efficace gérée par la technologie PEAK POWER™.

Lorsque les batteries sont insérées dans les ports correspondants marqués 1 ou 2 sur la plaque du sac à dos et que le ventilateur est allumé, l'icône de la batterie correspondante s'allume sur l'écran LCD (Fig. E1).

Fixation (Fig. E2)

Alignez les arêtes de la batterie sur les rainures d'assemblage et enfoncez la batterie jusqu'à entendre un déclic. Fixez l'autre batterie.

Retrait

Appuyez sur le bouton de déblocage de la batterie et sortez la batterie de l'outil en tirant dessus.

AVERTISSEMENT : Faites toujours attention à la position de vos pieds ainsi qu'à la présence d'enfants ou d'animaux lorsque vous appuyez sur le bouton de déblocage de la batterie. La chute de la batterie pourrait entraîner des blessures graves. Ne retirez JAMAIS la batterie si vous vous trouvez en hauteur.

E1-1	Numéros des ports de batteries	E1-2	Écran LCD
E1-3	Icône de batterie	E2-1	Arête de la batterie
E2-2	Rainure d'assemblage	E2-3	Bouton de déblocage de la batterie

POSITIONNER LE SOUFFLEUR À DOS

AVERTISSEMENT : Habillez-vous correctement pour réduire les risques de blessures lors de l'utilisation de cette machine. Ne portez pas de vêtement ample ni de bijou. Portez des protections oculaires et auditives. Portez un pantalon long et épais, des chaussures montantes et des gants. Ne portez pas de shorts ni de sandales et ne soyez pas pieds nus.

Avant d'utiliser le souffleur dorsal, munissez-vous de lunettes de protection et de vêtements appropriés et adoptez une position sûre et équilibrée.

Régler le harnais

1. Insérez vos bras entre les sangles du harnais dorsal pour porter le souffleur sur votre dos.
2. Réglez temporairement les deux sangles d'épaule dans des positions confortables (Fig. F1) en veillant à ce que vos coudes soient dans une position confortable.
3. Enclenchez la boucle pectorale et ajustez la longueur de la sangle pectorale si nécessaire (Fig. F2).
4. Fermez la boucle de taille et réglez la longueur de la sangle de manière à ce que le sac à dos soit solidement soutenu par vos hanches (Fig. F3 et F4).

REMARQUE : Le harnais dorsal ne doit pas être positionné trop haut sur votre dos, il doit être positionné plus près de vos hanches que de vos épaules.

AVERTISSEMENT : En cas d'urgence, relâchez immédiatement les boucles de poitrine et de taille pour retirer les sangles de chaque côté. Il s'agit d'une méthode de retrait rapide.

5. Réglez les sangles d'épaule pour la sécurité et le confort. Veillez à ce que le harnais repose bien sur votre dos, avec son poids soutenu par la sangle de taille et sans qu'il ne se déplace trop quand vous bougez (Fig. F5).
6. Insérez la longueur en excès de la sangle autour de la taille dans l'élastique de chaque côté (Fig. F6).
7. Pour détacher le sac à dos de votre dos, appuyez simplement sur les boucles de taille et de poitrine pour les ouvrir et abaissez le souffleur (Fig. F7).

F1-1	Sangle d'épaule	F2-1	Boucle de poitrine
F3-1	Boucle de taille	F6-1	Élastique
F6-2	Longueur supplémentaire de la sangle		

Régler la poignée de contrôle

- Ouvrez la manette de retrait rapide pour actionner la poignée de contrôle vers l'avant ou vers l'arrière selon les besoins (Fig. G1 et G2), puis réengagez la manette de retrait rapide pour fixer la poignée de contrôle en place.
- Vous pouvez aussi tourner la poignée pour plus de confort (Fig. G3).

G1-1	Poignée de contrôle	G1-2	Manette de retrait rapide
------	---------------------	------	---------------------------

Réglage de la longueur du tube de la poignée de contrôle (Fig. H1, H2)

- Relâchez la manette de retrait rapide.
- Mettez le tube de soufflage dans une position de fonctionnement confortable dans la plage de réglage (Fig. H1).
- Réengagez la manette de retrait rapide pour fixer le tube de soufflage en place (Fig. H2).

H1-1	Tube de soufflage	H1-2	Manette de retrait rapide
H2-1	Plage de réglage		

DÉMARRAGE / ARRÊT DU SOUFFLEUR

REMARQUE : Le souffleur peut ne pas démarrer correctement si la température de la batterie ou du souffleur est inférieure ou égale à -15°C. Dans ce cas, retirez la batterie du souffleur et laissez la batterie et le souffleur se réchauffer à l'intérieur pendant 10 minutes ou plus. Réinstallez la batterie et réessayez.

Gâchette de vitesse d'air (Fig. I1, I2)

- Appuyez sur la gâchette de vitesse pour allumer le souffleur, puis l'écran LCD affichera la jauge de carburant, l'icône de la batterie et l'indicateur de vitesse d'air.

REMARQUE : 1 LED de la jauge de carburant sur l'écran LCD clignote lorsque la batterie est bientôt épuisée.

- La vitesse de l'air du souffleur est contrôlée avec la gâchette à vitesse variable. Plus de pression sur la gâchette entraîne des vitesses de soufflage plus élevées ; moins de pression sur la gâchette entraîne des vitesses de soufflage plus faibles. Ajustez la vitesse en fonction de la tâche à accomplir. Le témoin de vitesse d'air correspondant s'affiche sur l'écran LCD.

- Relâchez la gâchette de vitesse de l'air pour arrêter le souffleur. L'écran LCD s'éteint quelques instants après le relâchement de la gâchette.

Mode TURBO

Pendant que la gâchette de vitesse est maintenue enfoncée, appuyez sur le bouton turbo pour augmenter le débit d'air jusqu'à la vitesse maximale (Fig. I1). L'indicateur turbo et l'icône de ventilateur s'allument sur l'écran LCD (Fig. I3).

REMARQUE : Le souffleur revient à la vitesse précédente lorsque vous relâchez le bouton turbo.

Mode de verrouillage de vitesse

Le verrouillage de vitesse sert à faire fonctionner le souffleur en continu sans garder le doigt sur la gâchette.

- Appuyez sur la gâchette jusqu'à arriver à la vitesse souhaitée (Fig. I1).
- Appuyez sur le bouton de verrouillage de vitesse. L'icône de verrouillage rapide s'allume sur l'écran LCD (Fig. I4).
- Puis relâchez la gâchette, le souffleur continuera à fonctionner à la vitesse souhaitée.

REMARQUE : Appuyer sur le bouton turbo en mode de verrouillage de vitesse permet de verrouiller la vitesse d'air au niveau maximum. Le souffleur reprendra la vitesse précédente lorsque vous appuierez de nouveau sur le bouton turbo.

- Pour déverrouiller le verrouillage rapide, appuyez à nouveau sur le bouton de verrouillage rapide. L'icône de verrouillage de vitesse disparaît de l'écran LCD et le souffleur s'éteint.

I1-1	Bouton Turbo	I1-2	Bouton de verrouillage de vitesse
I1-3	Gâchette de la vitesse de l'air	I2-1	Jauge de carburant
I2-2	Indicateur de vitesse de l'air	I2-3	Icône de batterie
I3-1	Icône de ventilateur	I3-2	Indicateur de turbo
I4-1	Icône de verrouillage de vitesse		

TECHNOLOGIE DE COMMUNICATION

Pour plus d'informations sur notre gamme complète de produits et services connectés, y compris les instructions de connexion, veuillez scanner le code QR ci-dessous ou consultez www.egopowerplus.eu/connect.

FR



CONSEILS D'UTILISATION DU SOUFFLEUR

- Pour éviter d'éparpiller les débris, soufflez autour des bords externes du tas de débris. Ne soufflez jamais directement au centre d'un tas.
- Pour réduire le niveau sonore, limitez le nombre d'outils utilisés au même moment.
- Avant de souffler, décoincez les débris avec un râteau et un balai. Dans les environnements poussiéreux, humidifiez légèrement les surfaces si de l'eau si disponible.
- Faites attention aux enfants, animaux de compagnie, fenêtres ouvertes et voitures récemment nettoyées. Soufflez les débris en les éloignant d'une manière non dangereuse.
- Après avoir utilisé un souffleur ou un autre outil, nettoyez-le ! Mettez les débris au rebut d'une manière appropriée.

ENTRETIEN

⚠ AVERTISSEMENT : L'outil ne doit être réparé qu'avec des pièces de rechange identiques. L'utilisation de toute autre pièce peut créer un danger ou détériorer l'outil. Pour garantir la sécurité et la fiabilité, toutes les réparations doivent être effectuées par un réparateur qualifié.

⚠ AVERTISSEMENT : Pour vous prémunir contre des blessures corporelles graves, retirez toujours la batterie de l'outil avant toute opération de nettoyage ou d'entretien.

ENTRETIEN GÉNÉRAL

N'utilisez pas de solvant pour nettoyer les pièces en plastique. La plupart des plastiques peuvent être détériorés par de nombreux types de solvants vendus dans le commerce. Utilisez des chiffons propres pour enlever les saletés, les poussières, l'huile, la graisse, etc.

⚠ AVERTISSEMENT : Veillez à ce que les pièces en plastique de l'outil n'entrent jamais en contact avec du liquide de frein, de l'essence, des produits à base de pétrole, du dégrissant, etc. Les produits chimiques peuvent endommager, fragiliser ou détruire les pièces en plastique, ce qui peut provoquer des blessures corporelles graves.

⚠ AVERTISSEMENT : Afin de réduire le risque d'incendie, de blessures corporelles et de dommages au produit dus à un court-circuit, n'immergez en aucun cas la machine, la batterie ou le chargeur dans un liquide et ne laissez jamais un liquide s'écouler à l'intérieur. Les fluides corrosifs ou conducteurs, tels que l'eau de mer, certains produits chimiques industriels, l'eau de Javel ou les produits contenant de l'eau de Javel, etc., peuvent provoquer un court-circuit.

RANGEMENT

- Retirez la ou les batteries du souffleur.
- Enlevez toutes les matières étrangères des entrées d'air du souffleur.
- Alignez la boucle de rangement du tube de soufflage avec la rainure d'accrochage du tube et accrochez le tube de soufflage au boîtier du compartiment des batteries (Fig. J1 et J2).
- Rangez l'outil en intérieur dans un endroit inaccessible aux enfants. Veillez à ce qu'il reste éloigné des produits corrosifs, par exemple des produits chimiques de jardinage et des sels de déverglacage.

J1-1	Boucle de rangement du tube de soufflage	J1-2	Rainure d'accrochage du tube
------	--	------	------------------------------

Protection de l'environnement



Ne jetez pas les équipements électriques, les batteries et les chargeurs usagés avec les ordures ménagères ! Apportez ce produit chez un recycleur agréé et rendez-le disponible pour une collecte séparée. Les outils électriques doivent être amenés dans un centre de recyclage pour assurer le respect de l'environnement.

GUIDE DE DÉPANNAGE

FR

PROBLÈME	CAUSE	SOLUTION
Le souffleur ne fonctionne pas.	<ul style="list-style-type: none"> La batterie n'est pas insérée dans le souffleur. 	<ul style="list-style-type: none"> Insérez la batterie dans le souffleur.
	<ul style="list-style-type: none"> Il n'y a pas de contact électrique entre le souffleur et la batterie. 	<ul style="list-style-type: none"> Retirez la batterie, inspectez les contacts, puis réinsérez la batterie.
	<ul style="list-style-type: none"> La batterie est déchargée. 	<ul style="list-style-type: none"> Rechargez la batterie.
	<ul style="list-style-type: none"> La batterie ou le souffleur est trop chaud. 	<ul style="list-style-type: none"> Laissez la batterie et le souffleur refroidir jusqu'à ce que leur température devienne inférieure à 67°C.
	<ul style="list-style-type: none"> Gâchette de vitesse endommagée. 	<ul style="list-style-type: none"> Contactez le service client EGO pour la réparation.
	<ul style="list-style-type: none"> La batterie ou le souffleur sont trop froids. 	<ul style="list-style-type: none"> Retirez la batterie et laissez la batterie et le souffleur se réchauffer à l'intérieur. Il est recommandé de charger complètement la batterie et de démarrer le souffleur à basse vitesse sans activer le mode Turbo.
Le mode de verrouillage rapide ne peut pas être activé ou désactivé.	<ul style="list-style-type: none"> Bouton de verrouillage de vitesse endommagé. 	<ul style="list-style-type: none"> Contactez le service client EGO pour la réparation.
La vitesse d'air est sensiblement réduite.	<ul style="list-style-type: none"> La batterie est presque épuisée. 	<ul style="list-style-type: none"> Rechargez la batterie.
	<ul style="list-style-type: none"> Usure excessive du ventilateur du moteur. 	<ul style="list-style-type: none"> Contactez le service EGO pour la réparation.
	<ul style="list-style-type: none"> L'entrée d'air est bouchée par des débris. 	<ul style="list-style-type: none"> Retirez la batterie de l'outil et enlevez les déchets.
L'écran LCD ne fonctionne pas correctement.	<ul style="list-style-type: none"> L'écran LCD ou le câblage sont endommagés. 	<ul style="list-style-type: none"> Contactez le service EGO pour la réparation.
1 LED de la jauge de carburant sur l'écran LCD clignote.	<ul style="list-style-type: none"> La batterie est presque épuisée. 	<ul style="list-style-type: none"> Rechargez la batterie.

GARANTIE

POLITIQUE DE GARANTIE EGO

Rendez-vous sur le site web egopowerplus.eu pour consulter l'intégralité des conditions de la politique de garantie EGO.

¡LEA TODAS LAS INSTRUCCIONES!



LEA EL MANUAL DEL USUARIO

ES

⚠ ADVERTENCIA: Para garantizar la seguridad y fiabilidad de la herramienta, las reparaciones debe realizarlas únicamente un técnico cualificado.

SÍMBOLOS RELACIONADOS CON LA SEGURIDAD

El propósito de los símbolos de seguridad es atraer su atención hacia posibles peligros. Los símbolos de seguridad y las explicaciones que los acompañan requieren su máxima atención y comprensión. Por sí solos, los símbolos de advertencia no eliminan los posibles peligros. Las instrucciones y advertencias que proporcionan no sustituyen a las medidas adecuadas de prevención de accidentes.

⚠ ADVERTENCIA: Asegúrese de leer y comprender todas las instrucciones de seguridad de este manual del usuario, incluidos todos los símbolos de aviso sobre seguridad, como «PELIGRO», «ADVERTENCIA» y «PRECAUCIÓN», antes de utilizar esta máquina. Si no se observan todas las instrucciones que se indican a continuación existe riesgo de incendio, electrocución y lesiones graves.

SIGNIFICADO DE LOS SÍMBOLOS

⚠ SÍMBOLO DE AVISO DE SEGURIDAD: Indica PELIGRO, ADVERTENCIA o PRECAUCIÓN, puede utilizarse de manera conjunta con otros símbolos o pictogramas.

PRECAUCIONES DE SEGURIDAD

Esta página muestra y describe los símbolos de seguridad que puede haber en este producto. Antes del montaje y utilización del producto, asegúrese de leer, comprender y seguir todas las instrucciones que están en la máquina.



Aviso de seguridad



Para reducir el riesgo de lesiones, el usuario debe leer y comprender perfectamente el manual del usuario antes usar este producto.



Leve siempre protección auditiva cuando utilice este producto.



Utilice siempre gafas de seguridad, gafas con cristales anti-impacto que cuenten con pantallas de protección lateral, o bien una máscara facial que proteja completamente la cara cuando use este producto.



Todas las demás personas deben mantenerse a una distancia mínima de 15 m.



Este producto está en conformidad con las directivas de la CE aplicables.



Este producto está en conformidad con la legislación aplicable del Reino Unido.



Los productos eléctricos no deben eliminarse con la basura doméstica. Lívelos a un centro de reciclaje autorizado.



Corriente continua



Símbolo de Bluetooth®



IPX5 Protección contra los chorros de agua



Nivel de potencia acústica garantizado. La emisión de ruido al medio ambiente cumple la directiva de la Comunidad Europea.

V	Tensión
°C	Celsius
N	Newton

kg	Kilogramo
m³/h	Metros cúbicos/hora
m/s	Metros por segundo

ESPECIFICACIONES

Tensión	56 V	
Volumen máximo de aire	1360 m³/h	
Velocidad máxima del aire	85 m/s	
Fuerza máxima de soplado	26 N	
Tiempo de funcionamiento aproximado	Con dos baterías de 6,0 Ah	24 min. (Turbo)
		32 min. (Velocidad alta)
		120 min. (Velocidad baja)
	Con dos baterías de 7,5 Ah	30 min. (Turbo)
		40 min. (Velocidad alta)
		150 min. (Velocidad baja)
	Con dos baterías de 10 Ah	40 min. (Turbo)
		52 min. (Velocidad alta)
		200 min. (Velocidad baja)
	Con dos baterías de 12 Ah	48 min. (Turbo)
		63 min. (Velocidad alta)
		240 min. (Velocidad baja)
Banda de frecuencia de funcionamiento Bluetooth	2400 - 2438 MHz	
Potencia máxima de transmisión Bluetooth	5 dBm	
Peso (sin batería)	7,7 kg	
Temperatura de funcionamiento recomendada	De -15 °C a 40 °C	
Temperatura de almacenamiento recomendada	De -20 °C a 70 °C	
Nivel de potencia acústica medido L_{WA}	97 dB(A) K=1,1 dB(A)	
Nivel de presión acústica medido a la altura del oído del usuario L_{PA}	82 dB(A) K=3 dB(A)	
Nivel de potencia acústica garantizado L_{WA} (medido según 2000/14/CE)	98 dB(A)	
Nivel de vibraciones a_h	0,35 m/s² K=1,5 m/s²	

■ El valor de vibración total ha sido medido de acuerdo con el método de prueba estándar y se puede utilizar para comparar herramientas;

■ El valor total de vibración declarado se puede usar además en una evaluación preliminar del grado de exposición.

AVISO: Las vibraciones generadas durante el uso real de la herramienta eléctrica pueden diferir del valor declarado en función de la manera en que se utilice. Como protección, el usuario debería utilizar guantes y protectores auditivos en condiciones reales de uso.

LISTA DE CONTENIDO (FIG. A1)

DESCRIPCIÓN

FAMILIARÍCESE CON SU SOPLADOR (Fig. A1)

1. Arnés de soporte ajustable
2. Saliente para el almacenamiento del tubo de soplado
3. Placa de la mochila
4. Mango de control
5. Boquilla cónica
6. Tubo de soplado
7. Tubo del mango de control
8. Fuelle
9. Entrada de aire
10. Empuñadura auxiliar
11. Contactos eléctricos
12. Seguro
13. Botones de liberación de la batería
14. Asa
15. Botón de bloqueo de velocidad
16. Pantalla LCD
17. Botón Turbo
18. Gatillo de velocidad del aire
19. Ranura para colgar el tubo
20. Palancas de liberación rápida
21. Indicador de Bluetooth
22. Indicador de energía
23. Símbolo del ventilador
24. Indicador Turbo

ES

25. Indicador de velocidad del aire
26. Símbolo de bloqueo de velocidad
27. Símbolo de la batería

MONTAJE

ES

⚠ ADVERTENCIA: Si alguna pieza falta o está rota, no utilice el producto hasta haber sustituido las piezas. Podrían producirse lesiones graves en caso de utilizar el producto si alguna de sus piezas falta o está dañada.

⚠ ADVERTENCIA: No intente modificar este producto ni fabricar accesorios no recomendados para su uso en este soplador. Cualquier alteración o modificación se considerará uso indebido y podría provocar una situación peligrosa con riesgo de sufrir lesiones graves.

⚠ ADVERTENCIA: Para evitar una puesta en marcha accidental que podría causar lesiones graves, quite siempre las baterías de la herramienta antes de montar piezas.

MONTAJE DE LOS TUBOS DE SOPLADO

Conexión del tubo del mango de control al fuelle

1. Introduzca el extremo superior del tubo del mango de control en el fuelle hasta el tope (fig. B1).
2. Apriete firmemente el tornillo en el collarín de sujeción fijado al fuelle (fig. B2).

B1-1	Fuelle	B1-2	Collarín de sujeción
B1-3	Extremo superior	B1-4	Tubo del mango de control
B2-1	Tornillo		

Conexión del tubo de soplado al tubo del mango de control

1. Afloje y retire la palanca de cierre rápido y la tuerca de mariposa del conjunto de la abrazadera del tubo fijada en el tubo de soplado (fig. C1).
2. Alinee la ranura del tubo de soplado con la nervadura del tubo del mango de control, deslice el tubo de soplado sobre el tubo del mango de control hasta el tope (fig. C2).
3. Introduzca el pasador de la palanca de liberación rápida y cierre la palanca en la abrazadera del tubo (fig. C3).
4. Apriete la tuerca de mariposa para asegurar la abrazadera del tubo (fig. C4).

C1-1	Tubo de soplado	C1-2	Abrazadera del tubo
C1-3	Palanca de liberación rápida	C1-4	Tuerca de mariposa
C2-1	Tubo de soplado	C2-2	Tubo del mango de control
C2-3	Surco	C2-4	Nervadura
C3-1	Clavijas		

Conexión de la boquilla cónica al tubo de soplado

1. Alinee la ranura de la boquilla con el seguro del tubo. Empuje la boquilla sobre el tubo hasta que encaje firmemente en su lugar (fig. D1).
2. **Para quitar la boquilla,** mantenga pulsado el botón de liberación de la boquilla para desenganchar el seguro y, a continuación, tire recto de la boquilla para quitarla del tubo de soplado (fig. D2).

D1-1	Botón de liberación de la boquilla	D1-2	Seguro
------	------------------------------------	------	--------

FUNCIONAMIENTO

⚠ ADVERTENCIA: No permita que el hecho de estar familiarizado con el producto le haga descuidarse. Recuerde que cualquier distracción de una fracción de segundo es suficiente para provocar lesiones graves.

⚠ ADVERTENCIA: No utilice piezas o accesorios no recomendados por el fabricante de este producto. La utilización de piezas o accesorios no recomendados puede provocar lesiones graves.

⚠ ADVERTENCIA: Quite siempre las baterías del producto antes de instalar piezas, efectuar ajustes, proceder a su limpieza, o cuando no lo utilice. Quitando las baterías se evita una puesta en marcha accidental de la herramienta que podría provocar lesiones.

Antes de cada uso, examine todo el producto para ver si hay piezas dañadas, extraviadas o sueltas, como tornillos, tuercas, pernos, tapones, etc. Apriete bien todas las sujeciones y los tapones y no ponga en marcha el producto hasta haber reemplazado todas las piezas que falten o que estén dañadas.

UTILIZACIÓN

Este producto puede utilizarse para los fines indicados a continuación:

- Quitar hojas y residuos de jardín diversos del césped y los lechos de mantillo.

- Despejar superficies duras, como entradas para vehículos y caminos peatonales.
- Mantener despejadas de hojarasca y agujas de pino las terrazas y las entradas para vehículos.

AVISO: La herramienta debe utilizarse únicamente para el fin previsto. Cualquier otro uso se considerará uso indebido.

INSTALACIÓN/RETIRADA DE LA BATERÍA

Utilice únicamente los modelos de baterías y cargadores de EGO indicados en la fig. A2.

Consulte los manuales de las baterías y cargadores correspondientes para obtener más detalles.

Cargue totalmente la batería antes de usarla por primera vez.

AVISO: Para obtener el mejor rendimiento, recomendamos utilizar la batería EGO de 56 V BA3360T (6,0 Ah) u otras baterías EGO de 56 V con mayor capacidad en Ah.

El soplador tiene dos puertos de batería activos, ubicados en el lado izquierdo y derecho de la carcasa del puerto de batería.

NOTA: El soplador puede funcionar con una o dos baterías. El uso de dos baterías le proporciona un mayor tiempo de funcionamiento y un consumo eficiente de energía gestionado por la tecnología PEAK POWER™.

Cuando las baterías se insertan en los puertos de batería correspondientes marcados con 1 o 2 en la placa de la mochila y se enciende el ventilador, el símbolo de la batería correspondiente se iluminará en la pantalla LCD (fig. E1).

Para instalarla (fig. E2)

Alínee las nervaduras de la batería con las ranuras de montaje, e introduzca la batería presionándola hacia abajo hasta oír un «clic». Instale la otra batería.

Retirada

Pulse el botón de liberación de la batería y saque la batería.

⚠ ADVERTENCIA: Preste atención siempre a la posición de sus pies, así como a la presencia de niños o mascotas cuando pulse el botón de liberación de la batería. La caída de la batería podría provocar lesiones graves. No quiete NUNCA la batería con la herramienta situada en un lugar elevado.

E1-1	Número de puertos de batería	E1-2	Pantalla LCD
------	------------------------------	------	--------------

E1-3	Símbolo de la batería	E2-1	Nervadura de la batería
E2-2	Ranura de montaje	E2-3	Botón de liberación de la batería

POSICIÓN DEL SOPLADOR DE MOCHILA

⚠ ADVERTENCIA: Utilice ropa adecuada cuando trabaje con esta máquina, para reducir el riesgo de lesiones. No lleve puesta ropa holgada ni joyas. Utilice protección auditiva. Utilice pantalones largos, botas y guantes resistentes. No utilice pantalones cortos, sandalias, ni vaya descalzo.

Antes de usar el soplador de mochila, asegúrese de que el usuario lleve protección ocular y ropa adecuada, y que pueda mantener un buen equilibrio y los pies firmemente apoyados en el suelo.

Para ajustar el arnés de soporte

1. Introduzca los brazos por las correas de la mochila para sujetar el soplador en su espalda.
2. Ajuste temporalmente las dos correas de los hombros a posiciones que le resulten cómodas (fig. F1), asegurándose de que el codo esté en una posición cómoda.
3. Enganche la hebilla del pecho y ajuste la longitud de la correa del pecho en caso necesario (fig. F2).
4. Enganche la hebilla de la cintura y ajuste la longitud de la correa de la cintura, de forma que la mochila quede apoyada de forma segura en sus caderas (fig. F3 y F4).

NOTA: La mochila no debe llevarse demasiado alta en la espalda; debe estar colocada más cerca de las caderas que de los hombros.

⚠ ADVERTENCIA: Cuando ocurra una emergencia, suelte las hebillas del pecho y la cintura inmediatamente para quitarse la correa de la mochila a vcada lado. Este es un método de liberación rápida.

5. Vuelva a ajustar las correas de los hombros de forma segura y cómoda. Compruebe que la mochila esté colocada de forma segura en su espalda, con el peso apoyado en la correa de la cintura, y sin que se mueva demasiado cuando se mueve usted (fig. F5).
6. Pase la correa sobrante alrededor de la cintura e insértela en los elásticos que hay a ambos lados (fig. F6).
7. Para quitarse la mochila de la espalda, presione las hebillas de la cintura y del pecho para abrirlas y después baje el soplador (fig. F7).

F1-1	Correa bandolera	F2-1	Hebilla del pecho
F3-1	Hebilla de la cintura	F6-1	Elástico
F6-2	Longitud sobrante de la correa		

Ajuste del mango de control

1. Suelte la palanca de liberación rápida para mover el mango de control hacia adelante o hacia atrás según sea necesario (fig. G1 y G2) y, a continuación, enganche la palanca de liberación rápida para sujetar el mango de control en su lugar.
2. Si lo desea, también puede girar el mango para mayor comodidad (fig. G3).

G1-1	Mango de control	G1-2	Palanca de liberación rápida
------	------------------	------	------------------------------

Para ajustar la longitud del tubo del mango de control (fig. H1, H2)

1. Suelte la palanca de liberación rápida.
2. Mueva el tubo de soplado a una posición de funcionamiento cómoda dentro de la zona de ajuste (fig. H1).
3. Enganche la palanca de liberación rápida para fijar el tubo de soplado en su sitio (fig. H2).

H1-1	Tubo de soplado	H1-2	Palanca de liberación rápida
H2-1	Zona de ajuste		

PUESTA EN MARCHA / PARADA DEL SOPLADOR

NOTA: Es posible que el soplador no arranque correctamente si la temperatura de la batería o del soplador es igual o inferior a -15 °C. En este caso, quite la batería del soplador, y deje que la batería y el soplador se calienten en el interior durante 10 minutos o más. Vuelva a instalar la batería e inténtelo de nuevo.

Gatillo de velocidad del aire (fig. I1, I2)

- Presione el gatillo de velocidad del aire para encender el soplador. A continuación, la pantalla LCD mostrará el indicador de combustible, el símbolo de la batería y el indicador de velocidad del aire.

NOTA: 1 LED del indicador de energía de la pantalla LCD parpadea cuando la carga de la batería es baja.

- La velocidad del aire del soplador se controla con el gatillo para la velocidad variable. Una mayor presión en el gatillo produce velocidades de soplado más altas; una menor presión en el gatillo produce velocidades

de soplado más bajas. Ajuste la velocidad en función de la tarea que vaya a realizar. El indicador de la velocidad del aire correspondiente se mostrará en la pantalla LCD.

- Suelte el gatillo de velocidad del aire para apagar el soplador. La pantalla LCD se apagará dentro de un cierto período de tiempo después de soltar el gatillo.

Modo Turbo

Mientras se mantiene presionado el gatillo de velocidad del aire, pulse el botón Turbo para aumentar el flujo de aire a la velocidad máxima (fig. I1). El indicador Turbo y el símbolo del ventilador se encenderán en la pantalla LCD (fig. I3).

NOTA: El soplador volverá a la velocidad anterior cuando se suelte el botón turbo.

Modo de bloqueo de velocidad

El bloqueo de velocidad se puede utilizar para utilizar el soplador sin presionar continuamente el gatillo de velocidad del aire.

1. Presione el gatillo de velocidad del aire hasta alcanzar la velocidad deseada (fig. I1).
2. Presione el botón de bloqueo de velocidad. El símbolo de bloqueo de velocidad se iluminará en la pantalla LCD (fig. I4).
3. A continuación, suelte el gatillo de velocidad del aire y el soplador seguirá funcionando a la velocidad «deseada».

NOTA: Al presionar el botón turbo mientras está en el modo de bloqueo de velocidad, se puede bloquear la velocidad del aire al nivel máximo. El soplador retomará la velocidad anterior cuando presione el botón turbo una vez más.

4. Para liberar el bloqueo de velocidad, pulse de nuevo el botón de bloqueo de velocidad. El símbolo de bloqueo de velocidad desaparecerá de la pantalla LCD y el soplador se apagará.

I1-1	Botón Turbo	I1-2	Botón de bloqueo de velocidad
I1-3	Gatillo de velocidad del aire	I2-1	Indicador de energía
I2-2	Indicador de velocidad del aire	I2-3	Símbolo de la batería
I3-1	Símbolo del ventilador	I3-2	Indicador Turbo
I4-1	Símbolo de bloqueo de velocidad		

TECNOLOGÍA DE COMUNICACIÓN

Para obtener información sobre nuestra gama completa de productos y servicios conectados, incluidas las instrucciones de conexión, escanee el código QR que aparece a continuación o visite www.egopowerplus.eu/connect.



CONSEJOS PARA USAR EL SOPLADOR

- Para evitar dispersar descontroladamente el material soplado, dirija siempre el chorro de aire en torno al perímetro de los residuos apilados. No sople nunca directamente hacia el centro de la pila.
- Para reducir en lo posible los niveles de ruido emitidos, limite en lo posible el número de herramientas en uso de forma simultánea.
- Utilice rastrillos y escobas para soltar los materiales antes de despejarlos con el soplador. En entornos polvorientos, humedezca ligeramente las superficies si dispone de agua.
- Esté siempre alerta a la posible presencia de niños, mascotas, ventanas abiertas, automóviles recién lavados, etc. y utilice el soplador para despejar los materiales de manera segura.
- Tras utilizar el soplador o cualquier otro equipo, asegúrese de limpiarlos! Elimine los residuos de la manera adecuada.

MANTENIMIENTO

⚠ ADVERTENCIA: Cuando repare la herramienta, utilice solo piezas idénticas a las originales. La utilización de otras piezas podría suponer un peligro o causar daños en el producto. Para garantizar la seguridad y fiabilidad de la herramienta, las reparaciones debe realizarlas únicamente un técnico cualificado.

⚠ ADVERTENCIA: Para evitar lesiones graves, quite siempre la batería de la herramienta antes de limpiarla o hacer tareas de mantenimiento.

MANTENIMIENTO GENERAL

Evite utilizar disolventes para limpiar las piezas de plástico. La mayoría de los plásticos podrían dañarse si se limpian con algunos de los tipos de disolventes

disponibles en el mercado. Utilice paños limpios para eliminar la suciedad y los residuos de polvo, aceite, grasa, etc.

⚠ ADVERTENCIA: No deje nunca que las piezas de plástico entren en contacto con líquido de frenos, gasolina, productos derivados del petróleo, aceites penetrantes, etc. Las sustancias químicas podrían dañar, debilitar o destruir el plástico, con el consiguiente riesgo de provocar lesiones graves.

⚠ ADVERTENCIA: Para reducir el riesgo de incendio, lesiones personales y daños en el producto debido a un cortocircuito, nunca sumerja la máquina, la batería o el cargador en líquido, ni permita que penetre líquido en su interior. Los líquidos corrosivos o conductores, como el agua de mar, ciertos productos químicos industriales y la lejía o los productos que contienen lejía, etc., pueden provocar un cortocircuito.

ALMACENAMIENTO

- Quite la(s) batería(s) del soplador.
- Elimine cualquier acumulación de suciedad y materias extrañas de las entradas de aire del soplador.
- Alinee el saliente para el almacenamiento del tubo de soplado con la ranura para colgar el tubo, y cuelgue el tubo de soplado sobre la carcasa del puerto de la batería (fig. J1 y J2).
- Guarde el aparato en un lugar cerrado al que no pueda acceder ningún niño. Manténgalo apartado de agentes corrosivos, como productos químicos de jardinería y sal para deshielo.

J1-1	Saliente para el almacenamiento del tubo de soplado	J1-2	Ranura para colgar el tubo
------	---	------	----------------------------

Protección del medio ambiente



¡No elimine aparatos eléctricos, baterías usadas ni cargadores de baterías junto con los desperdicios domésticos! Lleve este producto a un punto de reciclaje autorizado y deposítelo por separado según corresponda. Las herramientas eléctricas se deben llevar a un punto de reciclaje con fin de proteger el medio ambiente.

SOLUCIÓN DE PROBLEMAS

ES

PROBLEMA	CAUSA	SOLUCIÓN
El soplador no funciona.	<ul style="list-style-type: none"> El acumulador no está correctamente insertado en el soplador. 	<ul style="list-style-type: none"> Inserte correctamente el acumulador en el soplador.
	<ul style="list-style-type: none"> No hay contacto eléctrico entre el acumulador y el soplador. 	<ul style="list-style-type: none"> Quite la batería, compruebe los contactos eléctricos y vuelva a instalarla.
	<ul style="list-style-type: none"> La carga de la batería está agotada. 	<ul style="list-style-type: none"> Cargue la batería.
	<ul style="list-style-type: none"> El acumulador o el circuito de la herramienta eléctrica se han sobrecalentado. 	<ul style="list-style-type: none"> Enfríe la batería y el soplador hasta que su temperatura baje de 67°C.
	<ul style="list-style-type: none"> Gatillo de velocidad del aire dañado. 	<ul style="list-style-type: none"> Póngase en contacto con el servicio de atención al cliente de EGO para su reparación.
	<ul style="list-style-type: none"> La batería o el soplador están demasiado fríos. 	<ul style="list-style-type: none"> Saque la batería, y deje que la batería y el soplador se calienten en el interior. Se recomienda cargar completamente la batería y arrancar el soplador a baja velocidad sin activar el modo Turbo.
El modo de bloqueo de velocidad no se puede activar ni desactivar.	<ul style="list-style-type: none"> Botón de bloqueo de velocidad dañado. 	<ul style="list-style-type: none"> Póngase en contacto con el servicio de atención al cliente de EGO para su reparación.
La velocidad del aire se reduce notablemente.	<ul style="list-style-type: none"> La carga de la batería es baja. 	<ul style="list-style-type: none"> Cargue la batería.
	<ul style="list-style-type: none"> Desgaste excesivo del ventilador del motor. 	<ul style="list-style-type: none"> Póngase en contacto con el servicio de EGO para su reparación.
	<ul style="list-style-type: none"> La entrada de aire está obstruida por acumulación de residuos. 	<ul style="list-style-type: none"> Quite la batería y limpie los residuos.
La pantalla LCD no funciona correctamente.	<ul style="list-style-type: none"> La pantalla LCD o la conexión del cable están dañados. 	<ul style="list-style-type: none"> Póngase en contacto con el servicio de EGO para su reparación.
1 LED del indicador de energía de la pantalla LCD parpadea.	<ul style="list-style-type: none"> La carga de la batería es baja. 	<ul style="list-style-type: none"> Cargue la batería.

GARANTÍA

POLÍTICA DE GARANTÍA DE EGO

Visite la página web egopowerplus.eu para conocer los términos y condiciones completos de la política de garantía de EGO.

LEIA TODAS AS INSTRUÇÕES!



LEIA O MANUAL DO UTILIZADOR

AVISO: Para garantir a segurança e bom funcionamento, todas as reparações deverão ser efetuadas por um técnico de reparação qualificado.

PT

SÍMBOLOS DE SEGURANÇA

O objetivo dos símbolos de segurança é chamar a atenção para possíveis perigos. Os símbolos de segurança e as explicações apresentadas com eles requerem a sua atenção e compreensão. Os avisos de segurança, só por si não eliminam o perigo. As instruções e avisos dados não são substitutos para medidas de prevenção adequadas a acidentes.

AVISO: Certifique-se de que lê e compreende todos os avisos de segurança neste manual do utilizador, incluindo todos os símbolos de alerta de segurança, como “**PERIGO**”, “**AVISO**” e “**CUIDADO**” antes de usar esta máquina. Não seguir todas as instruções apresentadas abaixo pode resultar em choque elétrico, incêndio e/ou ferimentos graves.

SIGNIFICADO DOS SÍMBOLOS

SÍMBOLO DE ALERTA DE SEGURANÇA: Indica **PERIGO**, **AVISO** ou **CUIDADO** e pode ser usado juntamente com outros símbolos ou imagens.

INSTRUÇÕES DE SEGURANÇA

Esta página retrata e descreve os símbolos de segurança que podem aparecer neste produto. Leia, compreenda e siga todas as instruções na máquina antes de tentar montar e utilizar.



Alerta de segurança



Utilize sempre proteção auditiva ao utilizar este produto.



Mantenha terceiros a, pelo menos, 15 metros de distância.



Este produto encontra-se em conformidade com a legislação no Reino Unido.



Corrente direta

IPX5

Proteção contra jatos de água

V

Voltagem

°C

Celsius

N

Newton



Para reduzir o risco de ferimentos, o utilizador tem de ler o manual de instruções antes de utilizar este produto.



Use sempre óculos de segurança com proteção lateral e, se necessário, uma proteção completa do rosto, quando utilizar este produto.



Este produto encontra-se em conformidade com as diretivas CE aplicáveis.



Os produtos elétricos residuais não deverão ser eliminados juntamente com o lixo doméstico comum. Entregue-os num centro de reciclagem autorizado.



Símbolo de Bluetooth®



Nível de potência do som garantido. Emissão de ruído para o ambiente de acordo com a diretiva da Comunidade Europeia.

kg

Quilograma

m³/h

Metro cúbico por hora

m/s

Metros por segundo

CARACTERÍSTICAS TÉCNICAS

PT

Voltagem		56 V
Volume máximo do ar		1360 m ³ /h
Velocidade máxima do ar		85 m/s
Força máxima de sopro		26 N
Tempo de funcionamento aproximado	Com duas baterias de 6,0 Ah	24 minutos (Turbo)
		32 minutos (Alta velocidade)
		120 minutos (Baixa velocidade)
	Com duas baterias de 7,5 Ah	30 minutos (Turbo)
		40 minutos (Alta velocidade)
		150 minutos (Baixa velocidade)
	Com duas baterias de 10 Ah	40 minutos (Turbo)
		52 minutos (Alta velocidade)
	Com duas baterias de 12 Ah	200 minutos (Baixa velocidade)
		48 minutos (Turbo)
		63 minutos (Alta velocidade)
Banda de frequência de funcionamento Bluetooth		2400 - 2438 MHz
Potência de transmissão máxima do Bluetooth		5 dBm
Peso (sem a bateria)		7,7 kg
Temperatura de funcionamento recomendada		-15 °C - 40 °C
Temperatura de armazenamento recomendada		-20 °C - 70 °C
Nível de potência do som medido L _{WA}		97 dB(A) K=1,1 dB(A)
Nível da pressão do som no ouvido do operador L _{PA}		82 dB(A) K=3 dB(A)
Nível de potência acústica garantido L _{WA} (medido de acordo com 2000/14/CE)		98 dB(A)
Vibração a _h		0,35 m/s ² K=1,5 m/s ²

- O valor total declarado da vibração foi medido de acordo com um método de teste padrão e pode ser usado para comparar duas ferramentas;
- O valor total declarado da vibração também pode ser usado numa avaliação preliminar da exposição.

ATENÇÃO: A emissão de vibrações durante a utilização da ferramenta elétrica pode diferir do valor declarado em que a ferramenta é usada. De modo a proteger o utilizador, este deverá usar luvas e proteção auditiva nas condições atuais de utilização.

LISTA DE PEÇAS (IMAGEM A1)

DESCRIÇÃO

CONHEÇA O SEU SOPRADOR (Imagem A1)

1. Arnês de suporte ajustável
2. Manípulo de arrumação do tubo do soprador
3. Placa da mochila
4. Pega de controlo
5. Bocal afunilado
6. Tubo do soprador
7. Tubo da pega de controlo
8. Foles
9. Entrada do ar
10. Pega auxiliar
11. Contactos elétricos
12. Trinco
13. Botões de libertação da bateria
14. Pega
15. Botão de bloqueio da velocidade
16. Ecrã LCD
17. Botão do turbo
18. Gatilho da velocidade do ar
19. Ranhura de suspensão do tubo
20. Alavancas de libertação rápida
21. Indicador Bluetooth
22. Manómetro do combustível
23. Ícone da ventoinha
24. Indicador do turbo
25. Indicador da velocidade do ar
26. Ícone de bloqueio da velocidade
27. Ícone da bateria

MONTAGEM

⚠️ AVISO: Se quaisquer peças estiverem danificadas ou em falta, não utilize este produto até as peças serem substituídas. Utilizar este produto com peças danificadas ou em falta pode dar origem a ferimentos sérios.

⚠️ AVISO: Não tente modificar este produto nem criar acessórios que não sejam recomendados para utilizar com este soprador. Qualquer alteração ou modificação é considerada uma má utilização e pode dar origem a perigos, que podem levar a ferimentos sérios.

⚠️ AVISO: Para evitar um arranque accidental que possa causar ferimentos sérios, retire sempre as baterias do produto durante a montagem das peças.

MONTAR OS TUBOS DO SOPRADOR

Ligar o do tubo da pega de controlo aos foles

1. Insira a extremidade superior do tubo da pega de controlo nos foles, até ao fundo (Imagem B1).
2. Aperte por completo o parafuso na braçadeira de fixação nos foles (Imagem B2).

B1-1	Foles	B1-2	Braçadeira de fixação
B1-3	Extremidade superior	B1-4	Tubo da pega de controlo
B2-1	Parafuso		

Ligar o tubo do soprador ao tubo da pega de controlo

1. Desaperte e retire a alavanca de libertação rápida e a porca de asas do conjunto da braçadeira do tubo do tubo do soprador (Imagem C1).
2. Alinhe a ranhura no tubo do soprador com a saliência no tubo da pega de controlo, faça deslizar o tubo do soprador sobre o tubo da pega de controlo até ao fundo (Imagem C2).
3. Insira a cavilha da alavanca de libertação rápida e feche a alavanca na braçadeira do tubo (Imagem C3).
4. Aperte a porca de asas para fixar a braçadeira do tubo (Imagem C4).

C1-1	Tubo do soprador	C1-2	Braçadeira do tubo
C1-3	Alavanca de libertação rápida	C1-4	Porca de asas

C2-1	Tubo do soprador	C2-2	Tubo da pega de controlo
C2-3	Ranhura	C2-4	Aba
C3-1	Cavilha		

Ligar o bocal afunilado no tubo do soprador

1. Alinhe a ranhura no bocal com o trinco no tubo. Pressione o bocal sobre o tubo até encaixar fixamente no respetivo lugar (Imagem D1).
2. **Para retirar o bocal**, prima e mantenha o botão de libertação do bocal para libertar o trinco, depois, puxe o bocal a direito para fora do tubo do soprador (Imagem D2).

D1-1	Botão de libertação do bocal	D1-2	Trinco
------	------------------------------	------	--------

FUNCIONAMENTO

⚠️ AVISO: Não permita que a familiarização com este produto o torne descuidado. Lembre-se de que uma fração de segundo de desatenção é o suficiente para sofrer um ferimento sério.

⚠️ AVISO: Não utilize quaisquer acessórios para além dos recomendados pelo fabricante deste produto. A utilização de acessórios que não sejam recomendados pode dar origem a ferimentos sérios.

⚠️ AVISO: Retire sempre as baterias do produto quando estiver a montar peças, fazer ajustes, limpar ou quando não utilizar o produto. Retirar as baterias evita um arranque accidental que poderia causar ferimentos sérios.

Antes de cada utilização, inspecione todo o produto quanto a peças danificadas, em falta ou soltas, como parafusos, porcas, tampas, etc. Aperte bem todos os fixadores e tampas e não utilize este produto até que todas as peças em falta ou danificadas sejam substituídas.

APLICAÇÃO

Pode utilizar este produto com os intuitos listados abaixo:

- Limpeza de folhas e de detritos variados de relvados e leitões de palha.
- Limpeza de superfícies duras, como passeios e passagens.
- Manter terraços e serventias sem folhas ou caruma.

ATENÇÃO: A ferramenta tem de ser usada apenas conforme descrito. Qualquer outra utilização será considerada má utilização.

FIXAR/RETIRAR A BATERIA

Utilize apenas com as baterias e carregadores da EGO listados na Imagem A2.

Consulte os manuais da bateria e do carregador para obter mais detalhes.

Carregue por completo antes da primeira utilização.

PT

ATENÇÃO: Para um melhor desempenho, recomendamos que use a bateria EGO de 56V BA3360T (6.0 Ah) ou qualquer bateria EGO de 56V com maior capacidade Ah.

O soprador tem duas portas de baterias ativas do lado esquerdo e direito da estrutura da porta da bateria.

NOTA: O soprador pode funcionar com uma ou duas baterias. Usar duas baterias permite um maior tempo de funcionamento e maior eficiência energética gerida pela tecnologia PEAK POWER™.

Quando as baterias estiverem inseridas nas respetivas portas assinaladas com 1 ou 2 na placa da mochila, e o soprador for ligado, o ícone da respetiva bateria acende no ecrã LCD (Imagem E1).

Para fixar (Imagem E2)

Alinhe as abas da bateria com as ranhuras de fixação e empurre a bateria para baixo até ouvir um “clique”. Fixe a outra bateria.

Para retirar

Prima o botão de libertação da bateria e puxe a bateria para fora.

AVISO: Certifique-se sempre da localização dos seus pés, de crianças ou animais quando pressionar o botão de libertação da bateria. Se a bateria cair, podem ocorrer ferimentos sérios. NUNCA retire a bateria num local elevado.

E1-1	Número de portas da bateria	E1-2	Ecrã LCD
E1-3	Ícone da bateria	E2-1	Aba da bateria
E2-2	Ranhura de fixação	E2-3	Botão de libertação da bateria

POSICIONAMENTO DO SOPRADOR

AVISO: Vista-se adequadamente para reduzir o risco de ferimentos quando utilizar esta máquina. Não use roupa larga nem joalheria. Use proteções oculares e auditivas. Use calças compridas e resistentes, mangas compridas, botas e luvas. Não utilize roupa curta, sandálias nem ande descalço.

Antes de usar o soprador de mochila, certifique-se de que o operador está a usar proteção ocular e roupa adequada, e que mantém uma base e equilíbrio adequados.

Ajustar o arnês de suporte

1. Coloque os seus braços através das alças para suportar o soprador nas suas costas.
2. Ajuste temporariamente ambas as alças para os ombros para posições confortáveis (Imagem F1), certificando-se de que se sente confortável nos ombros.
3. Fixe a fivela para o peito e ajuste o comprimento da alça para o peito, se necessário (Imagem F2).
4. Fixe a fivela para a cintura e ajuste o comprimento da alça para a cintura, de modo a que o soprador fique bem suportado pelas suas ancas (Imagem F3 e F4).

NOTA: O soprador não deve ficar muito elevado nas suas costas. Ele deve ser posicionado mais perto das suas ancas do que dos seus ombros.

AVISO: Quando ocorrer uma emergência, liberte imediatamente as fivelas para o peito e para a cintura para retirar a alça da mochila de cada lado. Este é um método de libertação rápida.

5. Reajuste as alças para os ombros, para segurança e conforto. Certifique-se de que o soprador assenta em segurança nas suas costas, com o peso suportado pela alça para a cintura, e sem movimentos em excesso quando se mover (Imagem F5).
6. Insira qualquer comprimento extra da alça à volta da cintura no elástico em ambos os lados (Imagem F6).
7. Para libertar o soprador das suas costas, basta premir as fivelas para o peito e cintura para as libertar e baixar o soprador (Imagem F7).

F1-1	Alça para os ombros	F2-1	Fivela para o peito
F3-1	Fivela para a cintura	F6-1	Elástico
F6-2	Comprimento extra da alça		

Ajustar a pega de controlo

1. Liberte a alavanca de libertação rápida para mover a pega de controlo para a frente ou para trás conforme necessário (Imagem G1 e G2) e depois encaixe a alavanca de libertação rápida para fixar a pega de controlo no respetivo lugar.
2. Também pode rodar a pega conforme necessário, para maior conforto (Imagem G3).

G1-1	Pega de controlo	G1-2	Alavanca de libertação rápida
------	------------------	------	-------------------------------

Ajustar o comprimento do tubo da pega de controlo (Imagem H1, H2)

1. Liberte a alavanca de libertação rápida.
2. Mova o tubo do soprador para uma posição de funcionamento confortável dentro da zona de ajuste (Imagem H1).
3. Encaixe a alavanca de libertação rápida para fixar o tubo do soprador no respetivo lugar (Imagem H2).

H1-1	Tubo do soprador	H1-2	Alavanca de libertação rápida
H2-1	Zona de ajuste		

LIGAR/DESLIGAR O SOPRADOR

NOTA: O soprador pode não começar a funcionar corretamente se a temperatura da bateria ou do soprador for inferior a -15 °C. Neste caso, retire a bateria do soprador, deixe a bateria e o soprador aquecerem no interior durante mais de 10 minutos. Volte a colocar a bateria e tente de novo.

Gatilho da velocidade do ar (Imagem I1 e I2)

- Pressione o gatilho da velocidade do ar para ligar o soprador. Depois, o ecrã LCD apresenta o manómetro do combustível, ícone da bateria e indicador da velocidade do ar.

NOTA: 1 LED do manómetro do combustível no ecrã LCD pisca quando a carga da bateria estiver fraca.

- A velocidade do ar do soprador é controlada com o gatilho da velocidade variável. Mais pressão no gatilho dá origem a velocidades de sopro superiores. Menos pressão no gatilho dá origem a velocidades de sopro inferiores. Ajuste a velocidade para se adequar à tarefa a ser efetuada. O respetivo indicador da velocidade do ar é apresentado no ecrã LCD.
- Liberte o gatilho da velocidade do ar para desligar o soprador. O ecrã LCD desliga-se passado um certo período de tempo após libertar o gatilho.

Modo turbo

Enquanto mantém pressionado o gatilho da velocidade do ar, prima o botão do turbo para aumentar o fluxo do ar para a velocidade máxima (Imagem I1). Tanto o indicador do turbo como o ícone da ventoinha acendem no ecrã LCD (Imagem I3).

NOTA: O soprador volta à velocidade anterior quando libertar o botão do turbo.

Modo de bloqueio da velocidade

O bloqueio da velocidade pode ser usado para operar o soprador sem que tenha de manter pressionado o gatilho da velocidade do ar.

1. Pressione o gatilho da velocidade do ar até atingir a velocidade desejada (Imagem I1).
2. Prima o botão de bloqueio da velocidade. O ícone de bloqueio da velocidade acende no ecrã LCD (Imagem I4).
3. Depois, liberte o gatilho da velocidade do ar. O soprador continua a funcionar com a velocidade “desejada”.

NOTA: Premir o botão do turbo durante o modo de bloqueio da velocidade pode fixar a velocidade do ar no nível máximo. O soprador volta à velocidade anterior quando premir novamente o botão do turbo.

4. Para libertar o bloqueio da velocidade, prima de novo o botão de bloqueio da velocidade. O ícone de bloqueio da velocidade desaparece do ecrã LCD e o soprador é desligado.

I1-1	Botão do turbo	I1-2	Botão de bloqueio da velocidade
I1-3	Gatilho da velocidade do ar	I2-1	Manómetro do combustível
I2-2	Indicador da velocidade do ar	I2-3	Ícone da bateria
I3-1	Ícone da ventoinha	I3-2	Indicador do turbo
I4-1	Ícone de bloqueio da velocidade		

TECNOLOGIA DE COMUNICAÇÃO

Para mais informações sobre a nossa gama completa de produtos e serviços conectados, incluindo instruções de conexão, leia o código QR apresentado abaixo, ou visite www.egopowerplus.eu/connect.



DICAS PARA USAR O SOPRADOR

- Para evitar dispersar o lixo, sobre em redor das extremidades de um monte de lixo. Nunca sobre diretamente para o centro do monte.
- Para reduzir os níveis de ruído, limite o número de peças de equipamento usadas de uma vez.
- Use ancinhos e vassouras para libertar o lixo antes de o soprar. Em condições poeirentas, humedeça ligeiramente as superfícies, se tiver água disponível.
- Tenha cuidado com as crianças, animais, janelas abertas ou carros lavados recentemente, e afaste o lixo em segurança.
- Após utilizar o soprador ou outro equipamento, proceda à limpeza! Elimine o lixo corretamente.

MANUTENÇÃO

⚠ AVISO: Quando fizer reparações, utilize apenas peças de substituição idênticas. A utilização de outras peças pode dar origem a perigos ou danos no produto. Para garantir a segurança e bom funcionamento, todas as reparações deverão ser efetuadas por um técnico de reparação qualificado.

⚠ AVISO: Para evitar ferimentos sérios, retire sempre a bateria do produto quando limpar ou efetuar qualquer manutenção.

MANUTENÇÃO GERAL

Evite usar solventes quando limpar peças de plástico. Grande parte dos plásticos é suscetível a danos devido a vários tipos de solventes comerciais. Use panos limpos para retirar a sujidade, pó, óleo, gordura, etc.

⚠ AVISO: Nunca permita que o líquido dos travões, gasolina, produtos à base de petróleo, óleos penetrantes, etc., entrem em contacto com as peças de plástico. Os químicos podem danificar, enfraquecer ou destruir o plástico o que pode dar origem a ferimentos sérios.

⚠ AVISO: Para reduzir o risco de fogo, ferimentos e danos no produto devido a um curto-circuito, nunca coloque a máquina, bateria ou carregador dentro de líquidos, nem permita que um líquido entre no produto. Líquidos corrosivos ou condutores, como água do mar, alguns químicos industriais e lixívia ou produtos com lixívia podem causar um curto-circuito.

ARMAZENAMENTO

- Retire a bateria do soprador.
- Limpe todo o material estranho das entradas de ar do soprador.
- Alinhe o manípulo de arrumação do tubo do soprador com a ranhura de suspensão do tubo e fixe o tubo do soprador na estrutura da porta da bateria (Imagem J1 e J2).
- Guarde-o num espaço fechado e inacessível a crianças. Mantenha afastado de agentes corrosivos, como químicos de jardinagem e sais de degelo.

J1-1	Manípulo de arrumação do tubo do soprador	J1-2	Ranhura de suspensão do tubo
------	---	------	------------------------------

Proteja o ambiente



Não elimine equipamento elétrico, bateria gasta nem carregador juntamente com o lixo doméstico comum! Leve este produto a um centro de reciclagem autorizado para que possa haver uma separação das peças. As ferramentas elétricas têm de ser devolvidas em instalações de reciclagem ambientalmente compatíveis.

RESOLUÇÃO DE PROBLEMAS

PROBLEMA	CAUSA	SOLUÇÃO
O soprador não funciona.	<ul style="list-style-type: none"> ■ A bateria não foi colocada no soprador. 	<ul style="list-style-type: none"> ■ Fixe a bateria no soprador.
	<ul style="list-style-type: none"> ■ Não existe contacto elétrico entre o soprador e a bateria. 	<ul style="list-style-type: none"> ■ Retire a bateria, verifique os contactos e volte a instalar a bateria.
	<ul style="list-style-type: none"> ■ A bateria está gasta. 	<ul style="list-style-type: none"> ■ Carregue a bateria.
	<ul style="list-style-type: none"> ■ A bateria ou o soprador está muito quente. 	<ul style="list-style-type: none"> ■ Deixe a bateria e o soprador arrefecerem até que a temperatura desça abaixo dos 67 °C.
	<ul style="list-style-type: none"> ■ Gatilho da velocidade do ar danificado. 	<ul style="list-style-type: none"> ■ Contacte o serviço de apoio ao cliente da EGO para proceder à reparação.
	<ul style="list-style-type: none"> ■ A bateria ou o soprador está demasiado frio. 	<ul style="list-style-type: none"> ■ Retire a bateria, deixe a bateria e o soprador aquecerem no interior. Recomendamos que carregue a bateria por completo e que ligue o soprador a baixa velocidade, sem ativar o modo do turbo.
O modo de bloqueio da velocidade não pode ser ligado ou desligado.	<ul style="list-style-type: none"> ■ Botão de bloqueio da velocidade danificado. 	<ul style="list-style-type: none"> ■ Contacte o serviço de apoio ao cliente da EGO para proceder à reparação.
A velocidade do ar diminui claramente.	<ul style="list-style-type: none"> ■ A bateria está fraca. 	<ul style="list-style-type: none"> ■ Carregue a bateria.
	<ul style="list-style-type: none"> ■ Desgaste excessivo da ventoinha do motor. 	<ul style="list-style-type: none"> ■ Contacte o centro de reparação da EGO para efetuar a reparação.
	<ul style="list-style-type: none"> ■ A entrada do ar está obstruída por resíduos. 	<ul style="list-style-type: none"> ■ Retire a bateria e limpe os resíduos.
O ecrã LCD não funciona corretamente.	<ul style="list-style-type: none"> ■ O ecrã LCD ou a ligação do fio estão danificados. 	<ul style="list-style-type: none"> ■ Contacte o centro de reparação da EGO para efetuar a reparação.
1 LED do manómetro do combustível no ecrã LCD pisca.	<ul style="list-style-type: none"> ■ A bateria está fraca. 	<ul style="list-style-type: none"> ■ Carregue a bateria.

PT

GARANTIA

POLÍTICA DE GARANTIA EGO

Visite o website egopowerplus.eu para os termos e condições completos da política de garantia da EGO.

LEGGERE TUTTE LE ISTRUZIONI.



LEGGERE IL MANUALE DI ISTRUZIONI

AVVERTENZA! Per garantire sicurezza e affidabilità, tutte le operazioni di riparazione e sostituzione devono essere effettuate da un tecnico qualificato.

IT SIMBOLI DI SICUREZZA

Lo scopo dei simboli di sicurezza è attirare l'attenzione dell'operatore su possibili pericoli. I simboli di sicurezza e le relative spiegazioni richiedono la massima attenzione e comprensione da parte dell'operatore. Le avvertenze espresse dai simboli, da sole, non eliminano tutti i rischi. Le istruzioni e le avvertenze non sostituiscono le adeguate misure di prevenzione contro gli incidenti.

AVVERTENZA! Accertarsi di aver letto attentamente tutte le istruzioni di sicurezza nel presente manuale, inclusi tutti i simboli di avvertenza come "PERICOLO", "AVVERTENZA" e "ATTENZIONE", prima di usare l'apparecchio. Il mancato rispetto di tutte le istruzioni elencate di seguito comporta il rischio di scossa elettrica, incendio e/o lesioni gravi.

SIGNIFICATO DEI SIMBOLI

▲ SIMBOLO AVVERTENZA DI SICUREZZA: Indica PERICOLO, AVVERTENZA, o ATTENZIONE, può essere usato in combinazione con altri simboli o pittogrammi.

AVVERTENZE DI SICUREZZA

Questa pagina illustra e descrive i simboli di sicurezza che possono essere presenti sull'apparecchio. Leggere, comprendere e seguire tutte le istruzioni sull'apparecchio prima di tentare di assemblarlo e ripararlo.



Avvertenza di sicurezza



Durante l'uso dell'apparecchio, indossare sempre protezioni per le orecchie.



Tenere eventuali altre persone ad almeno 15 metri di distanza.



Questo prodotto è conforme alle direttive britanniche applicabili.



Corrente continua



Protezione dai getti d'acqua



Tensione



Grado Celsius



Newton



Per ridurre il rischio di infortuni, l'utente deve leggere e comprendere tutte le istruzioni prima di usare l'apparecchio.



Durante l'uso del prodotto, indossare sempre occhiali protettivi o occhiali di sicurezza con protezioni laterali e una maschera facciale.



Questo prodotto è conforme alle direttive europee applicabili.



Gli apparecchi elettrici non devono essere smaltiti insieme ai rifiuti domestici. Portarli presso un centro di riciclaggio autorizzato.



Simbolo Bluetooth®



Livello di potenza sonora garantito. Emissione acustica ambientale ai sensi della direttiva dell'Unione europea.



Chilogrammo



Metri cubi all'ora



Metri al secondo

SPECIFICHE TECNICHE

Tensione	56 V	
Volume dell'aria max	1360 m ³ /h	
Velocità dell'aria max	85 m/s	
Forza di soffiaggio max	26 N	
Tempo di funzionamento approssimativo	Con due pacchi batteria da 6,0 Ah	24 min. (Turbo)
		32 min. (alta velocità)
		120 min. (bassa velocità)
	Con due pacchi batteria da 7,5 Ah	30 min. (Turbo)
		40 min. (alta velocità)
		150 min. (bassa velocità)
	Con due pacchi batteria da 10 Ah	40 min. (Turbo)
		52 min. (alta velocità)
		200 min. (bassa velocità)
	Con due pacchi batteria da 12 Ah	48 min. (Turbo)
		63 min. (alta velocità)
		240 min. (bassa velocità)
Banda di frequenza Bluetooth	2400 - 2438 MHz	
Potenza di trasmissione max Bluetooth	5 dBm	
Peso (senza gruppo batteria)	7,7 kg	
Temperatura di funzionamento raccomandata	Da -15°C a 40°C	
Temperatura di conservazione raccomandata	Da -20°C a 70°C	
Livello di potenza sonora misurato L _{WA}	97 dB(A) K=1,1 dB(A)	
Livello di pressione sonora a livello dell'orecchio dell'operatore L _{PA}	82 dB(A) K=3 dB(A)	
Livello di potenza sonora garantito L _{WA} (misurato conformemente a 2000/14/EC)	98 dB(A)	
Vibrazioni a _n	0,35 m/s ² K=1,5 m/s ²	

- Il valore totale di emissione delle vibrazioni dichiarato è stato misurato con un metodo di valutazione standard e può essere utilizzato per confrontare l'apparecchio con altri prodotti analoghi;

- Il valore totale di emissione delle vibrazioni dichiarato può essere utilizzato anche per una valutazione preliminare dei livelli di esposizione.

NOTA: Il valore di emissione delle vibrazioni durante l'uso effettivo dell'utensile elettrico può variare rispetto al valore totale dichiarato in base alla modalità di utilizzo dell'utensile. Per proteggersi, l'operatore deve indossare guanti e dispositivi di protezione per le orecchie in base alle condizioni di utilizzo effettive.

IT

CONTENUTO DELL'IMBALLAGGIO (FIG. A1)

DESCRIZIONE

COMPONENTI DEL SOFFIATORE (Fig. A1)

- Imbracatura regolabile
- Perno di aggancio del tubo
- Piastra dello zaino
- Impugnatura di comando
- Bocchetta conica
- Tubo di soffiaggio
- Tubo con impugnatura di comando
- Soffietto
- Apertura di ingresso dell'aria
- Impugnatura ausiliaria
- Contatti elettrici
- Dispositivo di bloccaggio
- Pulsanti di sgancio della batteria
- Impugnatura
- Pulsante di blocco della velocità
- Schermo LCD
- Pulsante della modalità Turbo
- Grilletto variazione velocità
- Scanalatura di aggancio del tubo
- Leve di sgancio rapido
- Spia Bluetooth
- Indicatore livello di carica
- Icona della ventola
- Spia della modalità Turbo
- Indicatore della velocità dell'aria
- Icona blocco velocità
- Icona della batteria

ASSEMBLAGGIO

⚠ AVVERTENZA! In caso di componenti danneggiati o mancanti, non usare il prodotto finché i componenti non vengono sostituiti. L'uso del prodotto con componenti danneggiati o mancanti comporta il rischio di lesioni gravi.

⚠ AVVERTENZA! Non tentare di modificare il prodotto e non utilizzare accessori non raccomandati per l'uso con questo soffiatore. Tali alterazioni o modifiche costituiscono un uso improprio e comportano condizioni pericolose e il rischio di lesioni gravi.

⚠ AVVERTENZA! Per evitare l'avvio accidentale e il conseguente rischio di lesioni gravi, rimuovere sempre le batterie dall'apparecchio durante l'assemblaggio dei componenti.

ASSEMBLAGGIO DEI TUBI DI SOFFIAGGIO

Collegamento del tubo con impugnatura di comando al soffietto

1. Inserire l'estremità superiore del tubo con impugnatura di comando nel soffietto, fino in fondo (Fig. B1).
2. Serrare saldamente la vite della fascetta di serraggio fissata al soffietto (Fig. B2).

B1-1	Soffietto	B1-2	Fascetta di serraggio
B1-3	Estremità superiore	B1-4	Tubo con impugnatura di comando
B2-1	Vite		

Collegamento del tubo di soffiaggio al tubo con impugnatura di comando

1. Allentare la leva di sgancio rapido e rimuoverla, insieme al dado ad alette, dal gruppo morsetto tubo attaccato al tubo di soffiaggio (Fig. C1).
2. Allineare la scanalatura sul tubo di soffiaggio con la sporgenza sul tubo con impugnatura di comando, quindi far scorrere il tubo di soffiaggio sopra il tubo con impugnatura di comando, fino in fondo (Fig. C2).
3. Inserire il perno della leva di sgancio rapido e chiudere la leva sul morsetto tubo (Fig. C3).
4. Serrare il dado ad alette per fissare il morsetto tubo in posizione (Fig. C4).

C1-1	Tubo di soffiaggio	C1-2	Morsetto tubo
C1-3	Leva di sgancio rapido	C1-4	Dado ad alette
C2-1	Tubo di soffiaggio	C2-2	Tubo con impugnatura di comando
C2-3	Scanalatura	C2-4	Sporgenza
C3-1	Perno		

Collegamento della bocchetta conica al tubo di soffiaggio

1. Allineare la scanalatura sulla bocchetta con il fermaglio sul tubo. Spingere la bocchetta sul tubo finché non scatta saldamente in posizione (Fig. D1).
2. **Per rimuovere la bocchetta**, tenere premuto il pulsante di rilascio della bocchetta per sganciarla dal fermaglio, quindi tirarla in linea retta fino ad estrarla dal tubo di soffiaggio (Fig. D2).

D1-1	Pulsante di rilascio della bocchetta	D1-2	Dispositivo di bloccaggio
------	--------------------------------------	------	---------------------------

UTILIZZO

⚠ AVVERTENZA! La familiarità con questo apparecchio non deve rendere l'operatore disattento. Anche un solo momento di disattenzione comporta il rischio di lesioni gravi.

⚠ AVVERTENZA! Non usare accessori non raccomandati dal costruttore dell'apparecchio. L'uso di attacchi o accessori non raccomandati comporta il rischio di lesioni gravi.

⚠ AVVERTENZA! Rimuovere sempre le batterie dal prodotto prima di qualsiasi intervento di assemblaggio parti, regolazione, pulizia o quando non è in uso. La rimozione delle batterie impedisce l'avvio accidentale e il conseguente rischio di lesioni gravi.

Prima di ogni utilizzo, ispezionare l'intero apparecchio per verificare che nessun elemento sia mancante e non siano presenti componenti danneggiati o allentati, ad esempio viti, dadi, bulloni, tappi, ecc. Serrare saldamente tutti i dispositivi di fissaggio e non usare il prodotto finché tutti i componenti mancanti o danneggiati non vengono sostituiti.

DESTINAZIONE D'USO

Questo prodotto può essere usato per gli scopi elencati di seguito.

- Rimuovere foglie e detriti vari da prati e aiuole con pacciamatura.
- Pulire superfici dure come vialetti e camminamenti.
- Mantenere spiazzi e vialetti privi di foglie e aghi di pino.

NOTA: L'apparecchio deve essere utilizzato esclusivamente per gli scopi previsti. Altri utilizzi sono da considerarsi impropri.

INSTALLAZIONE/RIMOZIONE DEL GRUPPO BATTERIA

Usare l'apparecchio esclusivamente con i gruppi batteria e caricabatteria EGO elencati in Fig. A2.

Consultare il manuale dei gruppi batteria e del caricabatteria per le istruzioni dettagliate.

Ricaricare completamente la batteria prima del primo utilizzo.

NOTA: Per le migliori prestazioni si raccomanda l'uso del gruppo batteria EGO 56 V BA3360T (6,0 Ah) o di altri gruppi batteria EGO 56 V di capacità superiore.

Il soffiatore è dotato di due scomparti per batteria sul lato destro e sul lato sinistro dello scomparto batterie.

NOTA: Il soffiatore può funzionare con una o due batterie. L'uso di due batterie aumenta l'autonomia e l'efficienza energetica grazie alla tecnologia PEAK POWER™.

Quando i pacchi batteria sono inseriti nei corrispondenti scomparti batteria contrassegnati con 1 o 2 sulla piastra dello zaino e il soffiatore è acceso, l'icona della batteria corrispondente si accende sullo schermo LCD (Fig. E1).

Per inserire (Fig. E2)

Allineare le sporgenze sulla batteria con le scanalature del vano e premere il gruppo batteria fino a udire un "clic". Inserire l'altra batteria.

Per staccare

Premere il pulsante di sgancio della batteria ed estrarre il gruppo batteria.

⚠ AVVERTENZA! Prestare attenzione ai propri piedi e all'eventuale presenza di bambini o animali attorno a sé durante la pressione dei pulsanti di rilascio della batteria. La caduta della batteria comporta il rischio di lesioni gravi. **NON** rimuovere la batteria quando si è in posizione sopraelevata.

E1-1	Numero scomparti batteria	E1-2	Schermo LCD
E1-3	Icona della batteria	E2-1	Rilievo della batteria
E2-2	Scanalatura di fissaggio	E2-3	Pulsante di rilascio della batteria

POSIZIONAMENTO DEL SOFFIATORE A ZAINO

⚠ AVVERTENZA! Vestirsi adeguatamente per ridurre il rischio di infortuni durante l'uso dell'apparecchio. Non indossare indumenti ampi o gioielli. Indossare dispositivi di protezione per gli occhi e le orecchie. Indossare pantaloni lunghi e pesanti, stivali e guanti. Non indossare pantaloni corti o sandali e non usare l'apparecchio a piedi nudi.

Prima di utilizzare il soffiatore a zaino, accertarsi che l'operatore indossi protezioni per gli occhi e indumenti adeguati e che possa mantenere un appoggio sicuro ed equilibrato.

Per regolare l'imbracatura

1. Infilare le braccia tra le cinghie dello zaino per portare il soffiatore sulla schiena.
2. Regolare temporaneamente entrambe le cinghie sulle spalle in posizioni comode (Fig. F1), assicurandosi che il gomito sia comodo.
3. Far scattare la fibbia del torace e regolare la lunghezza della cinghia toracica, se necessario (Fig. F2).
4. Far scattare la fibbia in vita e regolare la lunghezza della cinghia in vita in modo che lo zaino sia ben sostenuto dai fianchi (Fig. F3 e F4).

NOTA: Lo zaino non deve essere portato troppo in alto sulla schiena; deve essere più vicino ai fianchi che alle spalle.

⚠ AVVERTENZA! In caso di emergenza, sganciare immediatamente le fibbie del torace e della vita per togliere la cinghia dello zaino su ciascun lato. Si tratta di un metodo di sgancio rapido.

5. Regolare nuovamente gli spillacci finché non sono sicuri e confortevoli. Assicurarsi che lo zaino sia appoggiato saldamente sulla schiena, con il peso sostenuto dalla cinghia in vita, e verificare che non si sposti eccessivamente durante i propri movimenti (Fig. F5).
6. Inserire l'eventuale lunghezza in eccesso della cinghia toracica nell'elastico, su entrambi i lati (Fig. F6).

IT

7. Per rimuovere lo zaino dalla schiena è sufficiente premere le fibbie in vita e sul petto per sganciarle ed abbassare il soffiatore (Fig. F7).

F1-1	Tracolla	F2-1	Fibbia della cinghia toracica
F3-1	Fibbia della cinghia in vita	F6-1	Elastico
F6-2	Lunghezza in eccesso della cinghia		

IT

Regolazione dell'impugnatura di comando

1. Aprire la leva di sgancio rapido per spostare l'impugnatura di comando in avanti o all'indietro come desiderato (Fig. G1 e G2), quindi chiudere la leva di sgancio rapido per bloccare l'impugnatura in posizione.
2. È anche possibile ruotare l'impugnatura nella posizione più confortevole (Fig. G3).

G1-1	Impugnatura di comando	G1-2	Leva di sgancio rapido
------	------------------------	------	------------------------

Per regolare la lunghezza del tubo dell'impugnatura di comando (Fig. H1, H2)

1. Aprire la leva di sgancio rapido.
2. Portare il tubo di soffiaggio in una posizione di funzionamento confortevole all'interno della zona di regolazione (Fig. H1).
3. Chiudere la leva di sgancio rapido per bloccare il tubo di soffiaggio in posizione (Fig. H2).

H1-1	Tubo di soffiaggio	H1-2	Leva di sgancio rapido
H2-1	Zona di regolazione		

AVVIO/ARRESTO DEL SOFFIATORE

NOTA: il soffiatore potrebbe non avviarsi correttamente se la temperatura della batteria o del soffiatore è inferiore a -15°C . In tal caso, rimuovere il gruppo batteria dal soffiatore e lasciare che il gruppo batteria e il soffiatore si riscaldino in un luogo in interni per almeno 10 minuti. Reinstallare il gruppo batteria e riprovare.

Interruttore a velocità variabile (Fig. I1, I2)

- Premere l'interruttore a velocità variabile per avviare il soffiatore; l'indicatore del livello di carica, l'icona della batteria e l'indicatore della velocità dell'aria si illumineranno sul display.

NOTA: Quando la batteria è quasi scarica, sul display lampeggerà 1 segmento dell'indicatore del livello di carica.

- La velocità dell'aria del soffiatore è controllata dall'interruttore a velocità variabile. Una maggiore pressione sull'interruttore aumenta la velocità dell'aria; una pressione minore riduce la velocità dell'aria. Regolare la velocità in base al lavoro da svolgere. Gli indicatori della velocità dell'aria si illumineranno sul display.
- Rilasciare l'interruttore a velocità variabile per arrestare il soffiatore. Il display si spegnerà dopo un certo periodo dall'arresto del soffiatore.

Modalità Turbo

Tenendo premuto l'interruttore a velocità variabile, premere il pulsante della modalità Turbo per aumentare la velocità dell'aria al livello massimo (Fig. I1). L'icona della modalità Turbo e l'icona della ventola si illumineranno sul display (Fig. I3).

NOTA: al rilascio del pulsante della modalità Turbo, il soffiatore ritornerà alla velocità precedente.

Bloccaggio della velocità dell'aria

Il pulsante di bloccaggio della velocità permette di usare il soffiatore senza dover tenere premuto l'interruttore a velocità variabile.

1. Premere l'interruttore a velocità variabile fino a raggiungere la velocità desiderata (Fig. I1).
2. Premere il pulsante di bloccaggio della velocità. L'icona del bloccaggio della velocità si illuminerà sul display (Fig. I4).
3. Quindi rilasciare l'interruttore a velocità variabile; il soffiatore continuerà a funzionare alla velocità impostata.

NOTA: Quando la velocità dell'aria è bloccata, premendo il pulsante della modalità Turbo la velocità verrà mantenuta al livello massimo. Il soffiatore ritornerà alla velocità precedente premendo nuovamente il pulsante della modalità Turbo.

4. **Per sbloccare la velocità dell'aria**, premere nuovamente il pulsante di bloccaggio della velocità. L'icona del bloccaggio della velocità si spegnerà e il soffiatore si arresterà.

I1-1	Pulsante della modalità Turbo	I1-2	Pulsante di blocco della velocità
I1-3	Grilletto variazione velocità	I2-1	Indicatore livello di carica

I2-2	Indicatore della velocità dell'aria	I2-3	Icona della batteria
I3-1	Icona della ventola	I3-2	Spia della modalità Turbo
I4-1	Icona blocco velocità		

TECNOLOGIA DI CONNESSIONE

Per maggiori informazioni sulla gamma completa dei prodotti e dei servizi connessi, comprese le istruzioni di connessione, scansionare il seguente codice QR o visitare il sito web www.egopowerplus.eu/connect.



SUGGERIMENTI PER L'USO DEL SOFFIATORE

- Per evitare di spargere i detriti, soffiare lungo i bordi esterni del cumulo di detriti. Non soffiare mai direttamente verso il centro del cumulo.
- Per ridurre la rumorosità, limitare il numero di apparecchi utilizzati contemporaneamente.
- Usare rastrelli e scope per smuovere i detriti prima di soffiarli. In aree di lavoro polverose, inumidire leggermente le superfici, se possibile.
- Fare attenzione all'eventuale presenza di bambini, animali, finestre aperte o automobili appena lavate e soffiare i detriti in direzione opposta.
- Pulire l'area di lavoro dopo aver usato soffiatori o altri apparecchi. Smaltire i detriti adeguatamente.

MANUTENZIONE

AVVERTENZA! Per la riparazione dell'apparecchio, usare esclusivamente parti di ricambio identiche. L'uso di altri ricambi comporta situazioni pericolose o il rischio di danni al prodotto. Per garantire sicurezza e affidabilità, tutte le operazioni di riparazione e sostituzione devono essere effettuate da un tecnico qualificato.

AVVERTENZA! Per evitare lesioni gravi, rimuovere sempre il gruppo batteria dall'apparecchio prima delle operazioni di pulizia o manutenzione.

MANUTENZIONE GENERALE

Evitare l'uso di solventi durante la pulizia delle parti in plastica. I solventi disponibili in commercio possono danneggiare la maggior parte dei componenti in plastica. Usare un panno pulito per rimuovere sporcizia, polvere, olio, grasso, ecc.

AVVERTENZA! Impedire il contatto di liquido per freni, benzina, prodotti a base di petrolio, oli penetranti, ecc. con le parti in plastica. Le sostanze chimiche possono danneggiare, indebolire o distruggere la plastica, con il rischio di lesioni gravi.

AVVERTENZA! Per ridurre il rischio di incendi, lesioni personali e danni al prodotto dovuti a un cortocircuito, non immergere mai l'apparecchio, la batteria o il caricabatterie in un fluido né consentire al fluido di fluire al loro interno. Liquidi corrosivi o conduttivi come l'acqua di mare, alcune sostanze chimiche industriali, candeggina e prodotti contenenti candeggina possono causare un corto circuito.

IT

CONSERVAZIONE

- Rimuovere il gruppo o i gruppi batteria dal soffiatore.
- Rimuovere tutti i materiali estranei dalle aperture di ventilazione del soffiatore.
- Allineare il pomello per riporre il tubo di soffiaggio con la fessura di aggancio e fissare il tubo allo scomparto della batteria (Fig. J1 & J2).
- Conservare l'apparecchio in un luogo inaccessibile ai bambini e al riparo da agenti corrosivi, ad esempio sostanze chimiche per il giardinaggio e sale per disgelo.

J1-1	Pomello per riporre il tubo	J1-2	Fessure di aggancio del tubo
------	-----------------------------	------	------------------------------

Protezione dell'ambiente



Non smaltire gli apparecchi elettrici, i caricabatteria e le batterie insieme ai rifiuti domestici. Portare il prodotto presso un centro di riciclaggio autorizzato affinché venga raccolto separatamente. Gli apparecchi elettrici devono essere portati presso un centro di riciclaggio ecocompatibile.

RISOLUZIONE DEI PROBLEMI

IT

PROBLEMA	CAUSA	SOLUZIONE
Il soffiatore non funziona.	<ul style="list-style-type: none"> Il gruppo batteria non è installato sul soffiatore. 	<ul style="list-style-type: none"> Installare il gruppo batteria sul soffiatore.
	<ul style="list-style-type: none"> Il contatto elettrico tra il soffiatore e la batteria è mancante. 	<ul style="list-style-type: none"> Rimuovere il gruppo batteria, ispezionare i contatti e reinstallare il gruppo batteria.
	<ul style="list-style-type: none"> Il gruppo batteria è scarico. 	<ul style="list-style-type: none"> Ricaricare il gruppo batteria.
	<ul style="list-style-type: none"> Il gruppo batteria o il soffiatore sono troppo caldi. 	<ul style="list-style-type: none"> Attendere che la temperatura del gruppo batteria e del soffiatore scenda al di sotto di 67°C.
	<ul style="list-style-type: none"> Interruttore a velocità variabile danneggiato. 	<ul style="list-style-type: none"> Contattare il servizio clienti EGO per la riparazione.
	<ul style="list-style-type: none"> Il gruppo batteria o il soffiatore sono troppo freddi. 	<ul style="list-style-type: none"> Rimuovere il gruppo batteria e lasciare che il gruppo batteria e il soffiatore si riscaldino in un luogo in interni. Si raccomanda di ricaricare completamente il gruppo batteria e avviare il soffiatore a bassa velocità senza attivare la modalità Turbo.
Non è possibile bloccare o sbloccare la velocità.	<ul style="list-style-type: none"> Il pulsante di bloccaggio della velocità è danneggiato. 	<ul style="list-style-type: none"> Contattare il servizio clienti EGO per la riparazione.
La velocità dell'aria è significativamente ridotta.	<ul style="list-style-type: none"> Il gruppo batteria è scarico. 	<ul style="list-style-type: none"> Ricaricare il gruppo batteria.
	<ul style="list-style-type: none"> La ventola del motore è usurata. 	<ul style="list-style-type: none"> Contattare il servizio clienti EGO per la riparazione.
	<ul style="list-style-type: none"> L'apertura di ingresso dell'aria è ostruita da detriti. 	<ul style="list-style-type: none"> Rimuovere il gruppo batteria e rimuovere i detriti.
Il display non funziona correttamente.	<ul style="list-style-type: none"> Il display o i cavi di collegamento sono danneggiati. 	<ul style="list-style-type: none"> Contattare il servizio clienti EGO per la riparazione.
Sul display lampeggia 1 segmento dell'indicatore del livello di carica.	<ul style="list-style-type: none"> Il gruppo batteria è scarico. 	<ul style="list-style-type: none"> Ricaricare il gruppo batteria.

GARANZIA

CONDIZIONI DELLA GARANZIA EGO

Visitare il sito web egopowerplus.eu per consultare le condizioni complete della garanzia EGO.

LEES ALLE INSTRUCTIES!



LEES DE GEBRUIKSAANWIJZING

⚠ WAARSCHUWING: Laat alle reparaties uitvoeren door een vakbekwame reparateur om een continue veiligheid en betrouwbaarheid te waarborgen.

VEILIGHEIDSSYMBOLEN

Het doel van de veiligheidssymbolen is om u te wijzen op mogelijke gevaren. Besteed daarom voldoende aandacht hieraan en begrijp de veiligheidssymbolen en bijbehorende uitleg. De symboolwaarschuwingen op zich elimineren geen enkel gevaar. De verstrekte instructies en waarschuwingen gelden niet als vervanging voor gepaste voorzorgsmaatregelen tegen ongevallen.

⚠ WAARSCHUWING: Lees en begrijp alle veiligheidsinstructies die in deze gebruiksaanwijzing staan vermeld, waaronder alle veiligheidssymbolen zoals "GEVAAR", "WAARSCHUWING" en "OPGELET" voordat u deze machine in gebruik neemt. Het negeren van onderstaande instructies kan leiden tot een elektrische schok, brand en/of ernstig persoonlijk letsel.

BETEKENIS VAN DE SYMBOLEN

⚠ VEILIGHEIDS-WAARSCHUWINGSSYMBOL: Duidt op **GEVAAR**, **WAARSCHUWING**, of **OPGELET**, kan worden gebruikt in combinatie met andere symbolen of pictogrammen.

VEILIGHEIDSINSTRUCTIES

Deze pagina toont en beschrijft alle veiligheidssymbolen die zich op dit product kunnen bevinden. Lees, begrijp en volg alle instructies op de machine voordat u deze in elkaar steekt en gebruikt.



Veiligheidswaarschuwing



De gebruiker dient de gebruiksaanwijzing voor gebruik van dit product te lezen om risico op letsel te beperken.



Draag altijd gehoorbescherming wanneer u dit product gebruikt.



Draag altijd een veiligheidsbril (met zijschermen) en een gelaatsscherm als u dit product gebruikt.



Houd alle omstanders minstens 15 meter uit de buurt.



Dit product is in overeenstemming met de EG-richtlijnen.



Dit product is in overeenstemming met de toepasselijke richtlijnen van het VK.



Gooi elektrisch afval niet via het huishoudelijk afval weg. Breng het naar een geautoriseerd recyclingbedrijf.



Gelijkstroom



Bluetooth®-symbool



Bescherming tegen waterstralen



Gewaarborgd geluidsvermogensniveau. Geluidsemissie voor de omgeving in overeenstemming met de richtlijnen van de Europese Unie.



Spanning



Kilogram



Celsius



Kubieke meter per uur




Newton



Meter per seconde

SPECIFICATIES

Spanning		56 V 
Maximaal luchtvolume		1360 m ³ /h
Maximale luchtsnelheid		85 m/s
Maximale blaaskracht		26 N
Geschatte werkingstijd	Met twee 6,0 Ah accupacks	24 min. (Turbo)
		32 min. (Hoge snelheid)
		120 min. (Lage snelheid)
	Met twee 7,5 Ah accupacks	30 min. (Turbo)
		40 min. (Hoge snelheid)
		150 min. (Lage snelheid)
	Met twee 10 Ah accupacks	40 min. (Turbo)
		52 min. (Hoge snelheid)
		200 min. (Lage snelheid)
	Met twee 12 Ah accupacks	48 min. (Turbo)
		63 min. (Hoge snelheid)
		240 min. (Lage snelheid)
Bluetooth bedrijfsfrequentieband		2400 - 2438 MHz
Bluetooth maximaal zendvermogen		5 dBm
Gewicht (zonder accupack)		7,7 kg
Aanbevolen bedrijfstemperatuur		-15°C - 40°C
Aanbevolen opbergtemperatuur		-20°C - 70°C
Gemeten geluidsvermogensniveau L _{WA}		97 dB(A) K=1,1 dB(A)
Geluidsdruk niveau bij het oor van de gebruiker L _{PA}		82 dB(A) K=3 dB(A)
Gegarandeerd geluidsniveau L _{WA} (gemeten volgens 2000/14/EG)		98 dB(A)
Trilling a _h		0,35 m/s ² K=1,5 m/s ²

- De opgegeven totale vibratiewaarde is gemeten volgens de standaard testmethode en kan worden gebruikt om het apparaat met een ander apparaat te vergelijken;
- De opgegeven totale vibratiewaarde kan tevens worden gebruikt in een voorafgaande beoordeling op blootstelling.

OPMERKING: De trillingsemisatie tijdens het werkelijk gebruik van het elektrisch gereedschap kan verschillen van de opgegeven totale waarde; Om de gebruiker te beschermen dient de gebruiker tijdens het gebruik handschoenen en gehoorbescherming te dragen.

INHOUD VAN DE VERPAKKING (AFB. A1)

BESCHRIJVING

KEN UW BLAZER (afb. A1)

1. Instelbaar ondersteunend harnas
2. Blaasbuis opbergknop
3. Rugzakplaat
4. Bedienhandgreep
5. Conisch mondstuk
6. Blaasbuis
7. Bedienhandgreep buis
8. Balg
9. Luchtinlaat
10. Ondersteunende handgreep
11. Elektrische contacten
12. Vergrendeling
13. Accu-ontgrendelingsknoppen
14. Handgreep
15. Snelheidsvergrendelingsknop
16. LCD-scherm
17. Turboknop
18. Luchtsnelheidsregelaar
19. Groef van de inhaakbuis
20. Snelspanners
21. Bluetooth-indicator
22. Vermogensmeter
23. Ventilatorpictogram
24. Turbo-indicator
25. Luchtsnelheidsindicator
26. Snelheidsvergrendelingspictogram
27. Accupictogram

MONTAGE

WAARSCHUWING: Als er onderdelen beschadigd zijn of ontbreken, gebruik dit product niet totdat alle onderdelen vervangen of aanwezig zijn. Dit product gebruiken met beschadigde of ontbrekende onderdelen kan ernstig persoonlijk letsel veroorzaken.

⚠ WAARSCHUWING: Probeer niet om dit product aan te passen of accessoires te maken die niet voor gebruik met deze bladblazer zijn aanbevolen. Een dergelijke aanpassing of wijziging is misbruik en kan leiden tot gevaar en een ernstig persoonlijk letsel.

⚠ WAARSCHUWING: Om het toevallig starten van het apparaat, dat ernstig persoonlijk letsel kan veroorzaken, te voorkomen, verwijder altijd de accu's uit het gereedschap voordat u onderdelen monteert.

DE BLAASBUIZEN MONTEREN

Aansluiting van de bedienhandgreep buis op de balg

1. Steek het bovenste uiteinde van de bedienhandgreep buis tot aan de aanslag in de balg (afb. B1).
2. Draai de schroef stevig vast in de klemkraag die aan de balg is bevestigd (afb. B2).

B1-1	Balg	B1-2	Klemkraag
B1-3	Bovenste uiteinde	B1-4	Bedienhandgreep buis
B2-1	Schroef		

Aansluiting van de blaasbuis op de bedienhandgreep buis

1. Draai de snelle ontgrendelingshendel en de vleugelmoer los en verwijder deze van de buisklem die op de blaasbuis is bevestigd (afb. C1).
2. Breng de groef in de blaasbuis op één lijn met de ribbel op de bedienhandgreep buis, schuif de blaasbuis over de bedienhandgreep buis tot aan de aanslag (afb. C2).
3. Steek de pen van de snelle ontgrendelingshendel in en sluit de hendel op de buisklem (afb. C3).
4. Draai de vleugelmoer aan om de buisklem vast te zetten (afb. C4).

C1-1	Blaasbuis	C1-2	Buisklem
C1-3	Snelspanner	C1-4	Vleugelmoer
C2-1	Blaasbuis	C2-2	Bedienhandgreep buis
C2-3	Groef	C2-4	Ribbel
C3-1	Pen		

Aansluiting van het conische mondstuk op de blaasbuis

1. Lijn de groef in het mondstuk uit met de vergrendeling op de buis. Duw het mondstuk over de buis totdat het stevig vastklikt (afb. D1).

2. **Om het mondstuk te verwijderen,** druk op de ontgrendelingsknop voor het mondstuk en houd deze ingedrukt om de vergrendeling te ontkoppelen. Trek het mondstuk vervolgens recht van de blaasbuis af (afb. D2).

D1-1	Mondstuk-vrijgaveknop	D1-2	Vergrendeling
------	-----------------------	------	---------------

WERKING

⚠ WAARSCHUWING: Vertrouwdheid kan leiden tot onvoorzichtigheid. Opgelet, één seconde van onoplettendheid kan ernstig letsel teweegbrengen.

⚠ WAARSCHUWING: Gebruik geen opzetstukken of toebehoren die niet door de fabrikant van dit product zijn aanbevolen. Het gebruik van niet aanbevolen opzetstukken of toebehoren kan leiden tot ernstig persoonlijk letsel.

⚠ WAARSCHUWING: Verwijder altijd de accu's uit het product wanneer u onderdelen monteert, aanpassingen uitvoert, het product reinigt of wanneer niet in gebruik. Het verwijderen van het accu's voorkomt een toevallige inschakeling dat ernstig persoonlijk letsel kan veroorzaken.

Voor elk gebruik dient u het complete product op beschadigingen, missende of los zittende onderdelen zoals schroeven, moeren, bouten, doppen etc. te controleren. Draai alle bevestigingen en doppen goed vast en gebruik dit product niet totdat alle missende of beschadigde onderdelen zijn vervangen.

TOEPASSING

U kunt dit product gebruiken voor onderstaand vermelde doeleinden:

- Het verwijderen van bladeren en tuinafval van gazons en mulchbedden.
- Het reinigen van harde oppervlakken zoals opritten en paden.
- Houd terrassen en opritten vrij van bladeren en dennennaalden.

OPMERKING: Het gereedschap mag alleen voor het voorheen genoemde doeleinde worden gebruikt. Ieder ander gebruik is in dit geval misbruik.

HET ACCUPACK INSTALLEREN/VERWIJDEREN

Gebruik het gereedschap alleen met de in afb. A2 vermelde accupacks en opladers van EGO.

Raadpleeg de handleidingen van de bijbehorende accupacks en opladers voor meer informatie.

Voor ingebruikname volledig opladen.

OPMERKING: Voor de beste prestaties adviseren wij het gebruik van het EGO 56V-accupack BA3360T (6,0 Ah) of andere EGO 56V-accupacks met een hoger Ah-vermogen.

De bladblazer heeft twee actieve accuporten aan de linker- en rechterzijde van de accuhouder.

OPMERKING: De bladblazer werkt op een of twee accu's. Het gebruik van twee accu's geeft u een langere looptijd en een efficiënt stroomverbruik dat wordt beheerd door de PEAK POWER™-technologie.

NL

Wanneer de accupacks in de overeenkomstige accuporten worden gestoken die zijn gemarkeerd met 1 of 2 op de rugzakplaat en de bladblazer is ingeschakeld, gaat het bijbehorende accupictogram op het LCD-scherm branden (afb. E1).

Bevestigen (afb. E2)

Breng de ribbels van het accupack op één lijn met de montagesleuven en druk het accupack naar beneden totdat u 'klik' hoort. Plaats het ander accupack.

Verwijderen

Druk de accu-ontgrendelingsknop naar beneden en trek het accupack eruit.

⚠ WAARSCHUWING: Houd altijd rekening met de positie van uw voeten, kinderen of huisdieren die zich in de buurt bevinden in het oog wanneer u op de accu-ontgrendelingsknop drukt. Ernstig letsel kan zich voordoen wanneer de accu valt. Verwijder de accu NOOIT wanneer u zich op een hoge positie bevindt.

E1-1	Aantal accuporten	E1-2	LCD-scherm
E1-3	Accupictogram	E2-1	Ribbels van de accu
E2-2	Montagesleuf	E2-3	Accuvrijgaveknop

POSITIONEREN VAN DE RUGZAK BLADBLAZER

⚠ WAARSCHUWING: Draag gepaste kleding om het risico op letsel tijdens gebruik van deze machine te beperken. Draag geen los hangende kleding of sieraden. Draag oog- en oor/gehoorbescherming. Draag een stevige lange broek, laarzen en handschoenen. Draag geen korte broek, sandalen of ga niet blootsvoets.

Voordat u de rugzak bladblazer gebruikt, zorg ervoor dat de bediener oogbescherming en geschikte kleding draagt en een veilige en stabiele houding kan behouden.

Het ondersteunende harnas instellen

1. Steek uw armen door de rugzakriemen om de bladblazer op uw rug te positioneren.
2. Pas tijdelijk beide schouderriemen aan zodat ze comfortabel zitten (afb. F1). Zorg ervoor dat uw ellebogen prettig zitten.
3. Klik de borstgesp vast en stel de lengte van de borstriem indien nodig in (afb. F2).
4. Klik de heupgesp vast en pas de lengte van de heupband zo aan dat de rugzak stevig door uw heupen wordt ondersteund (afb. F3 & F4).

OPMERKING: De rugzak mag niet te hoog op uw rug zitten; hij dient dichterbij de heupen dan bij de schouders te zitten.

⚠ WAARSCHUWING: Maak in geval van nood de borst- en heupgesp onmiddellijk los om de rugzakriem aan weerskanten af te doen. Dit is een snelle vrijgavemethode.

5. Stel de schouderriemen opnieuw in voor uw veiligheid en comfort. Zorg ervoor, dat de rugzak veilig op uw rug zit, waarbij het gewicht wordt ondersteund door de heupriem en zonder te veel te bewegen als u beweegt (afb. F5).
6. Mocht er nog een stuk riem over zijn rond de heup, kunt u deze tussen het elastiek aan één van beide zijden steken (afb. F6).
7. Om de rugzak weer los te maken van uw rug, druk op de heup- en borstgespen om deze los te maken en laat de bladblazer zakken (afb. F7).

F1-1	Schouderriem	F2-1	Borstgesp
F3-1	Heupgesp	F6-1	Elastiek
F6-2	Extra riemlengte		

Aanpassen van de bedienhandgreep

1. Laat de snelle ontgrendelingshendel los om de bedienhandgreep naar voren of naar achteren te bewegen (afb. G1 & G2) en vergrendel vervolgens de snelle ontgrendelingshendel om de bedienhandgreep vast te zetten.
2. U kunt de handgreep indien gewenst voor uw comfort ook draaien (afb. G3).

G1-1	Bedienhandgreep	G1-2	Snelspanner
------	-----------------	------	-------------

Instellen van de lengte van de bedienhandgreep buis (afb. H1, H2)

1. Maak de snelspanner los.
2. Breng de blaasbuis naar een comfortabele werkpositie binnen de instelzone (afb. H1).
3. Zet de snelle ontgrendelingshendel vast om de blaasbuis op zijn plaats te houden (afb. H2).

H1-1	Blaasbuis	H1-2	Snelspanner
H2-1	Instelzone		

DE BLADBLAZER STARTEN/STOPPEN

OPMERKING: Het is mogelijk dat de bladblazer niet goed start als de temperatuur van het accupack of de bladblazer -15°C of lager is. Verwijder in dat geval het accupack uit de bladblazer en laat het accupack en de bladblazer 10 minuten of langer binnenshuis opwarmen. Breng het accupack weer aan en probeer het opnieuw.

Luchtsnelheidsregelaar (afb. I1, I2)

- Druk de luchtsnelheidsregelaar in om de bladblazer in te schakelen, waarna het LCD-scherm de brandstofmeter, het accupictogram en de luchtsnelheidsindicator weergeeft.

OPMERKING: 1 LED van de brandstofmeter op het LCD-scherm knippert wanneer het accuvermogen laag is.

- De luchtsnelheid van de bladblazer wordt bepaald met behulp van de variabele snelheidsregelaar. Meer druk op de regelaar resulteert in hogere blaassnelheden; minder druk op de regelaar resulteert in lagere blaassnelheden. Pas de snelheid aan de hand van de taak aan. De overeenkomstige luchtsnelheidsindicator wordt op het LCD-scherm weergegeven.
- Laat de luchtsnelheidsregelaar los om de blazer uit te schakelen. Het LCD-scherm wordt binnen een bepaalde tijd uitgeschakeld nadat de regelaar wordt losgelaten.

Turbomodus

Terwijl de luchtsnelheidsregelaar wordt ingedrukt en vastgehouden, drukt u op de turboknop om de luchtstroom tot de maximale snelheid te verhogen (afb. I1). De turbo-indicator en het ventilatorpictogram zijn beiden op het LCD-scherm opgelicht (afb. I3).

OPMERKING: De blazer keert terug naar de vorige snelheid wanneer de turboknop wordt losgelaten.

Snelheidsvergrendelingsmodus

De snelheidsvergrendeling kan worden gebruikt om de bladblazer te bedienen zonder continu op de luchtsnelheidsregelaar te drukken.

1. Druk de luchtsnelheidsregelaar in totdat u de gewenste snelheid hebt bereikt (afb. I1).
2. Druk op de snelheidsvergrendelingsknop. Het snelheidsvergrendeling-pictogram brandt op het LCD-scherm (afb. I4).
3. Laat de luchtsnelheidsregelaar vervolgens los en de bladblazer blijft op de 'gewenste' snelheid werken. **OPMERKING: Als u tijdens de snelheidsvergrendelingsmodus op de turboknop drukt, wordt de luchtsnelheid op het maximum niveau vastgezet. De blazer werkt opnieuw op de vorige snelheid wanneer u nogmaals op de turboknop drukt.**
4. Om de snelheidsvergrendeling te ontgrendelen, druk nogmaals op de snelheidsvergrendelingsknop. Het snelheidsvergrendelingspictogram verdwijnt van het LCD-scherm en de blazer wordt uitgeschakeld.

I1-1	Turboknop	I1-2	Snelheidsvergrendelingsknop
I1-3	Luchtsnelheidsregelaar	I2-1	Vermogensmeter
I2-2	Luchtsnelheidsindicator	I2-3	Accupictogram
I3-1	Ventilatorpictogram	I3-2	Turbo-indicator
I4-1	Snelheidsvergrendelingspictogram		

COMMUNICATIETECHNOLOGIE

Voor informatie over ons volledig assortiment van verbonden producten en diensten, waaronder de verbindingsinstructies, scan de QR-code hieronder of ga naar www.egopowerplus.eu/connect.



TIPS VOOR HET GEBRUIK VAN DE BLADBLAZER

- Om het verspreiden van vuil te voorkomen, blaas rond de buitenrand van de vuilstapel. Blaas nooit direct in het midden van de stapel.
- Om het geluidsniveau te houden, beperk het aantal apparaten dat tegelijkertijd wordt gebruikt.
- Gebruik een hark of bezem om het afval los te maken voordat u het wegblaast. In een stoffige omgeving, maak het oppervlak lichtjes nat als geval water aanwezig is.
- Let op voor kinderen, huisdieren, open vensters of pas gewassen auto's. Blaas het vuil op een veilige manier weg.
- Na gebruik van een accublazer of ander apparaat, ruim het vuil op! Gooi het vuil op een correcte manier weg.

NL

ONDERHOUD

⚠ WAARSCHUWING: Gebruik voor reparaties uitsluitend identieke reserve-onderdelen. Het gebruik van andere onderdelen kan gevaar opleveren of schade aan het product veroorzaken. Laat alle reparaties uitvoeren door een vakbekwame reparateur om een continue veiligheid en betrouwbaarheid te waarborgen.

⚠ WAARSCHUWING: Om ernstig persoonlijk letsel te voorkomen dient u het accupack voor de reiniging of het onderhoud altijd uit het product te halen.

ALGEMEEN ONDERHOUD

Maak de kunststof onderdelen niet schoon met oplosmiddelen. De meeste kunststoffen kunnen worden beschadigd wanneer ze in contact komen met commerciële oplosmiddelen. Gebruik een schone doek voor het verwijderen van vuil, stof, olie, smeer, etc.

⚠ WAARSCHUWING: Zorg dat remvloeistoffen, benzine, producten op basis van aardolie, oliën, etc. op geen enkel moment met de kunststof onderdelen in aanraking komen. Chemicaliën kunnen de kunststof onderdelen beschadigen en ernstig persoonlijk letsel veroorzaken.

⚠ WAARSCHUWING: Om het risico op brand, persoonlijk letsel en schade aan het product door kortsluiting te beperken, dompel uw machine, het accupack of lader nooit in een vloeistof en zorg dat er geen vloeistof binnendringt. Bijtende of geleidende vloeistoffen, zoals zeewater, bepaalde industriële chemicaliën, bleekmiddel of producten die bleekmiddel bevatten, etc. kunnen kortsluiting veroorzaken.

OPSLAG

- Haal het/de accupack(s) uit de blazer.
- Verwijder alle vreemde materialen uit de luchtinlaten van de accublazer.
- Breng de blaasbuis opbergknop op één lijn met de ophanggroef van de buis en haak de blaasbuis aan de behuizing van de accupoort (afb. J1 & J2).
- Berg binnenshuis op in een ruimte die voor kinderen ontoegankelijk is. Houd uit de buurt van corrosieve middelen, zoals tuinchemicaliën en strooizout.

J1-1	Blaasbuis opbergknop	J1-2	Groef van de inhaakbuis
------	----------------------	------	-------------------------

Het milieu beschermen



Gooi geen elektrische apparatuur, gebruikte accu's en laders weg via het huishoudelijk afval! Geef dit product af bij een geautoriseerd recyclingbedrijf en zorg dat het apart kan worden ingezameld. Elektrisch gereedschap moet worden afgegeven voor een milieuvriendelijke recycling.

PROBLEEMOPLOSSING

PROBLEEM	OORZAAK	OPLOSSING
De bladblazer werkt niet.	<ul style="list-style-type: none"> ■ Het accupack is niet op de blazer aangesloten. 	<ul style="list-style-type: none"> ■ Sluit het accupack op de accublazer aan.
	<ul style="list-style-type: none"> ■ Er is geen elektrisch contact tussen de bladblazer en accu. 	<ul style="list-style-type: none"> ■ Verwijder de accu, controleer de contacten en bevestig het accupack weer.
	<ul style="list-style-type: none"> ■ Het accupack is leeg. 	<ul style="list-style-type: none"> ■ Laad het accupack op.
	<ul style="list-style-type: none"> ■ Het accupack of blazer is te warm. 	<ul style="list-style-type: none"> ■ Koel het accupack en de blazer af totdat de temperatuur lager dan 67°C is.
	<ul style="list-style-type: none"> ■ Beschadigde luchtsnelheidsregelaar. 	<ul style="list-style-type: none"> ■ Neem contact op met de klantenservice van EGO in geval van reparaties.
	<ul style="list-style-type: none"> ■ Het accupack of blazer is te koud. 	<ul style="list-style-type: none"> ■ Verwijder het accupack en laat het accupack en de bladblazer binnenshuis opwarmen. Het wordt aanbevolen om het accupack volledig op te laden en de bladblazer op lage snelheid te starten, zonder de turbomodus te activeren.
De snelheidsvergrendelingsmodus kan niet worden in- of uitgeschakeld.	<ul style="list-style-type: none"> ■ Snelheidsvergrendelingsknop is beschadigd. 	<ul style="list-style-type: none"> ■ Neem contact op met de klantenservice van EGO in geval van reparaties.
De luchtsnelheid neemt merkbaar af.	<ul style="list-style-type: none"> ■ De accu is bijna leeg. 	<ul style="list-style-type: none"> ■ Laad het accupack op.
	<ul style="list-style-type: none"> ■ Overmatige slijtage van de motorventilator. 	<ul style="list-style-type: none"> ■ Neem contact op met de EGO-service voor reparatie.
	<ul style="list-style-type: none"> ■ De luchtinlaat is verstopt door vuil. 	<ul style="list-style-type: none"> ■ Haal het accupack uit en verwijder vervolgens het vuil.
LCD-scherm werkt niet goed.	<ul style="list-style-type: none"> ■ LCD-scherm of draadverbinding zijn beschadigd. 	<ul style="list-style-type: none"> ■ Neem contact op met de EGO-service voor reparatie.
1 LED van de brandstofmeter op het LCD-scherm knippert.	<ul style="list-style-type: none"> ■ De accu is bijna leeg. 	<ul style="list-style-type: none"> ■ Laad het accupack op.

NL

GARANTIE

EGO-GARANTIEBELEID

Ga naar de website egopowerplus.eu voor de volledige algemene voorwaarden van het EGO-garantiebeleid.

LÆS ALLE ANVISNINGER!



LÆS BRUGERVEJLEDNINGEN

⚠ ADVARSEL: For at sikre sikkerhed og pålidelighed, bør alle reparationer udføres af en kvalificeret servicetekniker.

SIKKERHEDSSYMBOLER

Formålet med sikkerheds- symboler er at tiltrække din opmærksomhed på mulige farer. Du skal være meget opmærksom på sikkerhedssymbolerne og forklaringerne til dem og lære at forstå dem. Symbolernes advarsler fjerner ikke i sig selv eventuelle farer. De anvisninger og advarsler, de giver ingen erstatninger for ordentlig forebyggelse af ulykker foranstaltninger.

DK

⚠ ADVARSEL: Sørg for at læse og forstå alle sikkerhedsanvisninger i denne brugsanvisning, herunder alle sikkerhedssymboler, såsom "FARE", "ADVARSEL" og "FORSIGTIG", før du bruger denne maskine. Hvis anvisningerne nedenfor ikke følges, kan det føre til elektrisk stød, brand og/eller alvorlig personskade.

SYMBOLERNES BETYDNING

⚠ ADVARSELSSYMBOL: Indikerer FARE, ADVARSEL eller FORSIGTIG, kan bruges sammen med andre symboler eller billeder.

SIKKERHEDSANVISNINGER

Denne side viser og beskriver sikkerhedssymboler, der kan være på dette produkt. Læs, forstå og følg alle anvisninger på maskinen, før du forsøger at samle og betjene.



Sikkerhedsadvarsel



Bær altid høreværn ved betjening af dette produkt.



Hold alle omkringstående mindst 15m væk.



Dette produkt er i overensstemmelse med lovgivningen i Storbritannien.



Jævnstrøm (DC)

IPX5

Beskyttelse mod vandstråler

V

Spænding

°C

Celsius

N

Newton



For at mindske risikoen for skade skal brugeren læse brugervejledningen, inden produktet tages i brug.



Bær altid beskyttelsesbriller eller sikkerhedsbriller med side skjolde og en fuld ansigtsskærm, når du betjener dette produkt.



Dette produkt er i overensstemmelse med gældende EU-direktiver.



Elektriske affaldsprodukter må ikke bortskaffes sammen med husholdningsaffald. Tag det til en godkendt genbrugsplads.



Bluetooth®-symbol



Garanteret lydniveau. Støjemission til miljøet opfylder EF-direktivet.

kg

Kg

m³/h

Kubikmeter pr. time

m/s

Meter per sekund

SPECIFIKATIONER

Spænding	56 V	
Maksimal luftmængde	1360 m ³ /h	
Maksimal lufthastighed	85 m/s	
Maksimal blæsekraft	26 N	
Omtrentlig driftstid	Med to 6,0 Ah batteripakker	24 min. (Turbo)
		32 min. (Høj hastighed)
		120 min. (Lav hastighed)
	Med to 7,5 Ah batteripakker	30 min. (Turbo)
		40 min. (Høj hastighed)
		150 min. (Lav hastighed)
	Med to 10 Ah batteripakker	40 min. (Turbo)
		52 min. (Høj hastighed)
		200 min. (Lav hastighed)
	Med to 12 Ah batteripakker	48 min. (Turbo)
		63 min. (Høj hastighed)
		240 min. (Lav hastighed)
Bluetooth-frekvensbånd	2400 - 2438 MHz	
Bluetooth maksimal transmissionseffekt	5 dBm	
Vægt (uden batteri)	7,7 kg	
Anbefalet driftstemperatur	-15°C - 40°C	
Anbefalet opbevaringstemperatur	-20°C - 70°C	
Målt lydeffektniveau L _{WA}	97 dB(A) K=1,1 dB(A)	
Lydtryk ved brugerens øre L _{PA}	82 dB(A) K=3 dB(A)	
Garanteret lydeffektniveau L _{WA} (målt i henhold til 2000/14/EF)	98 dB(A)	
Vibration a _h	0,35 m/s ² K=1,5 m/s ²	

- Den samlede erklærede vibrationsværdi er målt i overensstemmelse med en standard testmetoden, og den kan bruges til at sammenligne et værktøj med et andet;
- Den samlede angivne vibrationsværdi kan også bruges ved en foreløbig vurdering af eksponeringen.

BEMÆRK: Vibrationsemissionen ved faktisk brug af elværktøjet kan afvige fra den angivne værdi, hvor værktøjet bruges. For at beskytte brugeren, skal brugeren bruge handsker og høreværn i de faktiske brugsforhold.

LISTE OVER DELE (FIG. A1)

BESKRIVELSE

KEND DIN LØVBLÆSER (fig. A1)

- Justerbar bæresele
- Dup til brug ved opbevaring af blæserør
- Rygsæk-plade
- Betjeningsgreb
- Spids mundstykke
- Blæserrør
- Betjeningsgreb-rør
- Bælg
- Luftindtag
- Forreste støtkehåndtag
- Elektriske kontakter
- Lås
- Batteriudløserknapper
- Håndtag
- Låseknap til hastigheden
- LCD-skærm
- Turbo-knap
- Lufthastighedsknap
- Rille til ophæng af rør
- Udløserhåndtag
- Bluetooth-indikator
- Energimåler
- Ventilator-ikon
- TURBO-indikator
- Lufthastighedsindikator
- Ikon til hastighedslås
- Batteri-ikon

DK

SAMLING

⚠ ADVARSEL: Hvis der er dele, der er beskadigede eller mangler, anvendes apparatet ikke, før delene er udskiftet. Brug af dette produkt med beskadigede eller manglende dele kan medføre alvorlig personskaade.

⚠ ADVARSEL: Forsøg ikke at ændre dette produkt eller fremstille tilbehør, der ikke anbefales til brug med denne løvblæser. Enhver sådan ændring eller modifikation er misbrug og kan resultere i en farlig situation og føre til eventuel alvorlig personskaade.

⚠ ADVARSEL: For at forhindre, at apparatet startes ved et uheld, skal batteripakkerne altid tages ud, når delene sættes på.

MONTERING AF BLÆSERRØRET

Montering af betjeningsgreb-røret på bælgene

1. Sæt den øverste ende af betjeningsgreb-røret så langt ind i bælg, som muligt (fig. B1).
2. Spænd skruen helt i spænderingen, der sidder på bælg (fig. B2).

B1-1	Bælg	B1-2	Spændering
B1-3	Øvre ende	B1-4	Betjeningsgreb-rør
B2-1	Skruer		

DK

Montering af blæserrøret på betjeningsgreb-røret

1. Løsn låsehåndtaget og fjern det og vingemøtrikken på rørklemmen, der sidder fast på blæserrøret (fig. C1).
2. Sørg for, at rillen på blæserrøret passer med hævnningen på betjeningsgreb-røret. Tryk blæserrøret så langt som muligt på betjeningsgreb-røret (fig. C2).
3. Sæt stiften på låsehåndtaget, og luk håndtaget på rørklemmen (fig. C3).
4. Spænd vingemøtrikken for, at spænde rørklemmen på plads (fig. C4).

C1-1	Blæserrør	C1-2	Rørklemme
C1-3	Udløserhåndtag	C1-4	Vingemøtrik
C2-1	Blæserrør	C2-2	Betjeningsgreb-rør
C2-3	Rille	C2-4	Rib
C3-1	Stift		

Montering af det tilspidsede mundstykke på blæserrøret

1. Sørg for, at rillen på mundstykket passer med låsen på røret. Tryk mundstykket på røret, indtil det sidder ordentligt fast (fig. D1).
2. **For at tage mundstykket af**, skal du holde udløserknappen til mundstykket nede for, at åbne låsen, og træk derefter mundstykket lige af blæserrøret (fig. D2).

D1-1	Udløserknop til mundstykke	D1-2	Lås
------	----------------------------	------	-----

BETJENING

⚠ ADVARSEL: Lad ikke fortrolighed med dette produkt gøre dig skodesløs. Husk på, at det kan føre til alvorlige skader, hvis du ikke er opmærksom i blot et sekund.

⚠ ADVARSEL: Anvend ikke tilbehør eller påmonteringer, der ikke anbefales af fabrikanten af dette produkt. Brug af tilbehør eller påmonteringer, der ikke anbefales, kan forårsage alvorlig personskade.

⚠ ADVARSEL: Fjern altid batterierne fra produktet, når du monterer dele, foretager justeringer, ved rengøring, eller når det ikke bruges. Fjernelse af batteripakkerne vil forhindre utilsigtet start, der kan forårsage alvorlig personskade.

Før hver brug skal du undersøge hele produktet for skader, manglende eller løse dele, såsom skruer, møtrikker, bolte, hætter etc. Tilspænd omhyggeligt alle dele og hætter, og betjen ikke dette produkt, for alle manglende eller beskadigede dele er udskiftet.

BRUG

Du kan bruge dette produkt til de formål, der er nævnt nedenfor:

- Rydning af blade og andet haveaffald på græsplæner og muldbede.
- Rydning af hårde overflader, såsom indkørsler og fortove.
- Holde terrasser og indkørsler fri for blade og fyrrenåle.

BEMÆRK: Værktøjet må kun bruges til dets tilsigtede formål. Enhver anden anvendelse anses for at være et tilfælde af misbrug.

PÅSÆTNING / AFTAGNING BATTERIPAKKEN

Produktet må kun bruges med EGO's batteripakker og opladere, der er anført i fig. A2.

Du kan finde flere oplysninger i de tilhørende batteripakker og opladervejledninger.

Lad batteriet helt op inden første brug.

BEMÆRK: For at få det meste ud af produktet, anbefaler vi at bruge en EGO 56V-batteripakke BA3360T (6,0 Ah) eller andre EGO 56V-batteripakker med højere Ah-værdi.

Løvblæseren har to aktive batteriporte på venstre og højre side af batterirummet.

BEMÆRK: Løvblæseren kan bruges med et eller to batterier. Hvis der bruges to batterier, forlænges driftstiden og produktet er mere energieffektiv med teknologien PEAK POWER™.

Når batteripakkerne sættes i batteriportene, der er markeret 1 eller 2 på bagpladen, og løvblæseren tændes, lyser batteriikonet på LCD-skærmen (fig. E1).

Sådan sættes batteriet i (fig. E2)

Sæt batteriets riller mod monteringsrillerne. Tryk derefter batteriet ned, indtil du hører et »klik«. Sæt det andet batteri i.

Fjernelse

Tryk på knappen til batteriudløseren, og træk batteripakken ud.

⚠ ADVARSEL: Vær altid opmærksom på dine fødders placering og på børn eller kæledyr omkring dig, når du trykker på udløserknappen til batteripakken. Der kan opstå alvorlig skade, hvis batteriet falder. Batteripakken på ALDRIG tages ud i en høj højde.

E1-1	Batteriportnummer	E1-2	LCD-skærm
E1-3	Batteri-ikon	E2-1	Batteri-rille
E2-2	Monteringsrille	E2-3	Udløserknap til batteri

PLACERING AF "RYGSÆK"-BLÆSER

⚠ ADVARSEL: Brug rigtig påklædning for at mindske risikoen for skader, når du betjener denne maskine. Undgå, at bære løstsiddende tøj eller smykker. Bær øjen- og øre- / høreværn. Bær kraftige, lange bukser, støvler og handsker. Gå ikke i korte bukser, sandaler eller på bare fødder.

For du bruger rygsækblæseren, skal du tage øjenbeskyttelse og ordentligt tøj på, og sørg for at opretholde et sikkert og afbalanceret fodfæste.

Justering af bæreselen

1. Stik armene gennem "rygsækkens" remme, så de kan støtte blæseren på din ryg.
2. Indstil begge skulderstropper midlertidigt, så de sidder behageligt (fig. F1), og sørg for, at din albue kan bevæge sig frit.
3. Spænd brystspændet, og justér længden, hvis nødvendigt (fig. F2).
4. Spænd taljespændet, og justér længden, så "rygsækken" sidder ordentligt på dine hofter (fig. F3 og F4).

BEMÆRK: "Rygsækken" bør ikke sidde for højt oppe på ryggen; den skal placeres tættere på dine hofter end på dine skuldre.

⚠ ADVARSEL: I tilfælde af en nødsituation, skal du straks løse bryst- og taljespænderne på hver side, og tage løvblæseren af. Dette er en hurtig måde at løse løvblæseren på.

5. Justér skulderstropperne for sikkerhed og komfort. Sørg for, at rygsækken sidder sikkert fast på ryggen, med vægten støttet af taljerebberne, og uden at sidde for løst, når du bevæger dig (fig. F5).
6. Stik resten af stroppen omkring taljen ind i elastikken på begge sider (fig. F6).
7. For at tage rygsækken af ryggen, skal du blot trykke på talje- og brystspænderne, så de løsnes hvorefter løvblæseren kan sættes ned (fig. F7).

F1-1	Skulderrem	F2-1	Brystespænde
F3-1	Taljespænde	F6-1	Elastik
F6-2	Ekstra del af remmen		

Justering af betjeningsgrebet

1. Løsn låsehåndtaget for, at flytte betjeningsgrebet frem og tilbage efter behov (fig. G1 og G2). Lås derefter låsehåndtaget for, at spænde betjeningsgrebet på plads.
2. Du kan også dreje grebet, så det sidder mere behageligt (fig. G3).

G1-1	Betjeningsgreb	G1-2	Udløserhåndtag
------	----------------	------	----------------

SÅDAN STARTES/STOPPES LØVBLÆSEREN

BEMÆRK: Blæseren starter muligvis ikke ordentligt, hvis temperaturen på batteriet eller blæseren er -15°C eller derunder. I dette tilfælde skal du tage batteripakken ud af blæseren, og lade batteripakken og blæseren varme op indendørs i mindst 10 minutter. Sæt batteripakken i igen, og prøv igen.

Lufthastighedsknap (fig. I1, I2)

- Tryk på lufthastighedsknappen for at tænde løvblæseren, hvorefter brændstofmåleren, batteriikonet og lufthastighedsindikatoren vises på LCD-skærmen.

BEMÆRK: En af indikatorerne på brændstofmåleren på LCD-skærmen blinker, når batteristrømmen er lav.

- Blæserens luftstyrke styres med luftstyrkeknappen. Jo mere knappen trykkes ned, jo kraftigere bliver luftstyrken. Jo mindre knappen trykkes ned, jo svagere bliver luftstyrken. Juster hastigheden i henhold til opgaven. Den tilsvarende lufthastighedsindikator vises på LCD-skærmen.

- Slip lufthastighedsknappen, for at slukke blæseren. Når knappen slippes, slukker LCD-skærmen inden for en bestemt tid.

Turbo-funktion

Hvis lufthastighedsknappen holdes nede, kan du trykke på turboknappen for at skrue helt op for luftstrømmen (fig. I1). Turbo-indikatoren og ventilatorikonet lyser på LCD-skærmen (fig. I3).

BEMÆRK: Når turbo-knappen slippes, går blæseren tilbage til forrige hastighed.

DK

Hastighedslås

Hastighedslåsen kan bruges til at bruge løvblæseren uden at holde lufthastighedsknappen nede.

1. Tryk på lufthastighedsknappen, indtil du når den ønskede hastighed (fig. I1).
2. Tryk på låseknappen til hastigheden. Hastighedslåseikonet lyser på LCD-skærmen (fig. I4).
3. Slip derefter lufthastighedsknappen, hvorefter løvblæseren fortsætter med at køre på den ønskede hastighed.

BEMÆRK: Hvis du trykker på turbo-knappen, når hastighedslåsen er slået til, kan lufthastigheden låses fast på den højeste hastighed. Hvis du trykker på turbo-knappen igen, går blæseren tilbage til forrige hastighed.

4. For at slå hastighedslåsen fra, skal du trykke på hastighedslåseknappen igen. Herefter forsvinder hastighedslåseikonet på LCD-skærmen, og blæseren slukker.

I1-1	Turbo-knap	I1-2	Låseknop til hastigheden
I1-3	Lufthastigheds-knap	I2-1	Energimåler
I2-2	Lufthastigheds-indikator	I2-3	Batteri-ikon
I3-1	Ventilator-ikon	I3-2	TURBO-indikator
I4-1	Ikon til hastighedslås		

KOMMUNIKATIONSTEKNOLOGI

For yderligere oplysninger og for at se hele udvalget af forbundne produkter og tjenester, herunder forbindelsesvejledninger, skal du scanne QR-koden nedenfor eller gå på www.egopowerplus.eu/connect.



TIP TIL BRUG AF BLÆSEREN

- For ikke at sprede snavset og skidtet bør man blæse rundt om yderkanterne af bunken af snavs og skidt. Blæs aldrig direkte ind i midten af en bunke.
- For at reducere lydniveauet bør antallet af stykker udstyr, der anvendes på et givet tidspunkt, begrænses
- Brug river og koste til at løsne skidt og snavs, før der blæses. Hvis der er støvet, så fugt overfladerne let, hvis der er vand i nærheden.
- Hold øje med børn, kæledyr, åbne vinduer eller nyvaskede biler, og blæs skidt og snavs sikkert i den rigtige retning.
- Efter at have brugt løvblæser eller andet udstyr: Ryd op! Bortskaf skidt og snavs på korrekt vis.

VEDLIGEHOLDELSE

⚠ ADVARSEL: Ved service må der kun bruges originale reservedele. Brug af andre reservedele kan medføre fare eller forårsage skader på produktet. For at sikre sikkerhed og pålidelighed, bør alle reparationer udføres af en kvalificeret servicetekniker.

⚠ ADVARSEL: For at undgå alvorlig personskade, altid fjerne batteriet fra produktet ved rengøring eller udfører vedligeholdelse.

GENEREL VEDLIGEHOLDELSE

Undgå, at bruge opløsningsmidler til rengøring af plastdele. De fleste plastmaterialer risikerer at blive ødelagt, ved brug af forskellige slags alment tilgængelige opløsningsmidler. Brug rene klude til at fjerne snavs, støv, olie, fedt osv.

⚠ ADVARSEL: Plastikdelene må aldrig komme i kontakt med bremsevæske, benzin, petroleum-baserede produkter, gennemtrængende olie, osv. Kemikalier kan beskadige, svække og ødelægge plastic, hvilket kan føre til alvorlige personskader.

⚠ ADVARSEL: For at reducere risikoen for brand, personskade og produktskade på grund af kortslutning, må maskinen, batteripakken eller opladeren aldrig nedsænkes i væske. Undgå også at væske trænger ind i dem. Ætsende eller ledende væsker, såsom havvand, bestemte industrikemikalier og blegemidler eller blegemiddelholdige produkter osv. kan kortslutte produktet.

OPBEVARING

- Tag batteripakken ud af løvblæseren.
- Fjern alle fremmedlegemer fra løvblæserens luftindtag.
- Flugt knoppen på blæserrøret med rillen til ophængning af røret, og fastgør blæserslangen på batterirummet (fig. J1 og J2).
- Opbevares indendørs på et sted, der er utilgængeligt for børn. Holdes væk fra ætsende stoffer, såsom havekemikalier og vejsalt.

J1-1	Dup til brug ved opbevaring af blæserør	J1-2	Rille til ophæng af rør
------	---	------	-------------------------

Beskyttelse af miljøet



Elektrisk udstyr, batterioplader og batterier må ikke smides ud sammen med almindelig husholdningsaffald! Tag dette produkt til en autoriseret genbrugsplads, og sørg for at det sendes til genbrug.

Elektriske værktøjer skal bortskaffe på en genbrugsplads.

DK

FEJLFINDING

DK

PROBLEM	ÅRSAG	LØSNING
Løvblæser virker ikke.	<ul style="list-style-type: none"> ■ Batteripakken er ikke sat på løvblæseren. 	<ul style="list-style-type: none"> ■ Sæt batteripakken på løvblæseren.
	<ul style="list-style-type: none"> ■ Ingen elektrisk kontakt mellem løvblæseren og batteriet. 	<ul style="list-style-type: none"> ■ Fjern batteriet, kontrollér kontakterne og sæt batteriet på igen.
	<ul style="list-style-type: none"> ■ Batteripakken er afladet. 	<ul style="list-style-type: none"> ■ Oplad batteripakken.
	<ul style="list-style-type: none"> ■ Batteripakke eller løvblæser er for varm. 	<ul style="list-style-type: none"> ■ Lad batteriet og blæseren køle ned, indtil temperaturen falder til under 67 °C.
	<ul style="list-style-type: none"> ■ Beskadiget lufthastighedsknap. 	<ul style="list-style-type: none"> ■ Kontakt EGO's kundeservice for reparation.
Hastighedslåsen kan ikke slås til eller fra.	<ul style="list-style-type: none"> ■ Beskadiget knap til hastighedslåsen. 	<ul style="list-style-type: none"> ■ Kontakt EGO's kundeservice for reparation.
	<ul style="list-style-type: none"> ■ Batteristrømmen er lav. 	<ul style="list-style-type: none"> ■ Oplad batteripakken.
Lufthastigheden reduceres markant.	<ul style="list-style-type: none"> ■ Motorventilatoren er overbelastet. 	<ul style="list-style-type: none"> ■ Kontakt EGO service for reparation.
	<ul style="list-style-type: none"> ■ Luftindtaget er blokeret af skidt og snavs. 	<ul style="list-style-type: none"> ■ Tag batteripakken ud, og fjern skidt og snavs.
LCD-skærmen virker ikke ordentligt.	<ul style="list-style-type: none"> ■ Defekt LCD-skærm eller løs ledningsforbindelse. 	<ul style="list-style-type: none"> ■ Kontakt EGO service for reparation.
En af indikatorerne på brændstoffmåleren på LCD-skærmen blinker.	<ul style="list-style-type: none"> ■ Batteristrømmen er lav. 	<ul style="list-style-type: none"> ■ Oplad batteripakken.

GARANTI

EGO GARANTI POLITIK

Besøg venligst hjemmesiden egopowerplus.eu for fuldstændige vilkår og betingelser for EGO's garantipolitik.

LÄS IGENOM ALLA INSTRUKTIONER!



LÄS IGENOM BRUKSANVISNINGEN

⚠ VARNING: För att garantera en säker och pålitlig användning måste alla reparationer utföras av en kvalificerad servicetekniker.

SÄKERHETSSYMBOLER

Syftet med säkerhetssymboler är att uppmärksamma eventuella faror. Säkerhetssymbolerna och förklaringarna av dessa kräver din fullständiga uppmärksamhet och förståelse. Symbolvarningarna i sig eliminerar inte några faror. Instruktionerna och varningarna som ges är inte något substitut för korrekta åtgärder för förhindrande av olyckor.

⚠ VARNING: Var noga med att läsa igenom och förstå alla säkerhetsinstruktioner i denna bruksanvisning, inklusive alla varningssymboler såsom "FARA", "VARNING," och "FÖRSIKTIGHET" innan maskinen används. Underlåtenhet att läsa alla instruktioner som listas nedan kan resultera i elektrisk stöt, brand och/eller allvarlig personskada.

SE

SYMBOLBETYDELSE

⚠ SÄKERHETSLARMSYMBOL: Indikerar FARA, VARNING eller FÖRSIKTIGHET, kan användas tillsammans med andra symboler eller bilder.

SÄKERHETSINSTRUKTIONER

Denna sida framställer och beskriver säkerhetssymboler som kan visas på denna produkt. Läs igenom, förstå och följ alla instruktioner på maskinen innan försök görs att montera och hantera den.



Säkerhetslarm



Använd alltid hörselskydd när denna produkt används.



Håll alla åskådare på ett avstånd av minst 15 meter.



Denna produkt uppfyller tillämpliga lagar i Storbritannien.



Likström



Skydd mot vattenstrålning

V

Spänning

°C

Celsius

N

Newton



För att minska risken för personskador måste användaren läsa igenom och förstå bruksanvisningen innan denna produkt används.



Använd alltid skyddsglasögon eller säkerhetsglasögon med sidoskydd och en full ansiktsmask när denna produkt används.



Denna produkt är i enlighet med gällande EG-direktiv.



Förbrukade elektriska produkter får inte kastas i hushållssoporna. Lämnas in till en auktoriserad återvinningsstation.



Bluetooth®-symbol



Garanterad ljudeffektnivå. Bulleremissioner för omgivningen enligt EU-direktiv.

kg

Kilogram

m³/h

Kubikmeter per timme

m/s

Meter per sekund

SPECIFIKATIONER

Spänning	56 V 	
Maximal luftvolym	1360 m ³ /h	
Maximal lufthastighet	85 m/s	
Maximal blåsstyrka	26 N	
Ungefärlig körtid	Med två 6,0 Ah-batteripaket	24 min. (Turbo)
		32 min. (Hög hastighet)
		120 min. (Låg hastighet)
	Med två 7,5 Ah-batteripaket	30 min. (Turbo)
		40 min. (Hög hastighet)
		150 min. (Låg hastighet)
	Med två 10 Ah-batteripaket	40 min. (Turbo)
		52 min. (Hög hastighet)
		200 min. (Låg hastighet)
	Med två 12 Ah-batteripaket	48 min. (Turbo)
		63 min. (Hög hastighet)
		240 min. (Låg hastighet)
Bluetooth operativt frekvensband	2400 - 2438 MHz	
Bluetooth maximal sändningseffekt	5 dBm	
Vikt (utan batteripaket)	7,7 kg	
Rekommenderad driftemperatur	-15 °C - 40 °C	
Rekommenderad förvaringstemperatur	-20 °C - 70 °C	
Uppmätt ljudeffektnivå L _{WA}	97 dB(A) K=1,1 dB(A)	
Ljudtrycksnivå vid operatörens öra L _{PA}	82 dB(A) K=3 dB(A)	
Garanterad ljudtrycksnivå L _{WA} (uppmätt enligt 2000/14/EG)	98 dB(A)	
Vibration a _n	0,35 m/s ² K=1,5 m/s ²	

- Det deklarerade totala vibrationsvärdet har uppmätts i enlighet med en standardtestmetod och kan användas för att jämföra ett verktyg med ett annat;
- Det deklarerade totala vibrationsvärdet kan också användas i en preliminär utvärdering av exponeringen.

UPPMÄRKSAMMA: Vibrationsutstrålningen under verklig användning av elverktyg kan skilja sig från det deklarerade värdet i vilken verktyget används. För att skydda användaren skall skyddshandskar och hörselskydd användas under faktiska användningsförhållandet.

FÖRPACKNINGSLISTA (BILD A1)

BESKRIVNING

LÄRA KÄNNA DIN LÖVBLÅS (bild A1)

1. Justerbar stödsela
2. Blåsrörets förvaringsvred
3. Ryggsäcksplatta
4. Styrhandtag
5. Spetsigt munstycke
6. Blåsrör
7. Kontrollhandtag rör
8. Bäl
9. Luftintag
10. Hjälp-handtag
11. Elektriska kontakter
12. Spärrhake
13. Låsknappar för batteriet
14. Handtag
15. Knapp för hastighetslås
16. LCD-skärm
17. Turbo-knapp
18. Avtryckare för lufthastighet
19. Skåra för rörupphängning
20. Snabbblåspakar
21. Bluetooth-indikator
22. Bränslämätare
23. Fläktikon
24. Turbo-indikator
25. Indikator för lufthastighet
26. Ikon för hastighetslås
27. Batteriikon

MONTERING

⚠ VARNING: Om någon del är skadad eller saknas skall inte denna produkt användas innan delarna ersatts. Användning av denna produkt om den är skadad eller saknar delar kan resultera i allvarliga personskador.

⚠ VARNING: Försök inte att modifiera denna produkt eller skapa tillbehör som inte rekommenderas för användning med denna lövblåsa. Alla sådana ändringar eller modifieringar är missbruk och kan resultera i allvarliga situationer som kan leda till allvarliga personskador.

⚠ VARNING: För att förhindra oavsiktlig start som kan orsaka allvarliga personskador skall alltid batteripaketet tas bort från verktyget innan delar monteras.

MONTERA BLÅSRÖREN

Ansluta kontrollhandtagets rör till bälgan

1. Sätt in den övre änden av kontrollhandtagets rör i bälgan så långt det går (bild B1).
2. Dra åt skruven ordentligt i klämringen som är fäst vid bälgan (bild B2).

B1-1	Bälg	B1-2	Fastklämnings-spak
B1-3	Övre ände	B1-4	Kontrollhandtag rör
B2-1	Skruv		

Ansluta blåsröret till kontrollhandtagets rör

1. Lossa och ta bort snabbspaken och vingmuttern från rörklämningen som är fäst på blåsröret (bild C1).
2. Rikta in spåret i blåsröret med ribban på kontrollhandtagets rör, skjut blåsröret över kontrollhandtagets rör så långt det går (bild C2).
3. Sätt i stiftet på snabbspaken och stäng spaken på rörklämman (bild C3).
4. Dra åt vingmuttern för att fästa rörklämman på plats (bild C4).

C1-1	Blåsrör	C1-2	Rörklämma
C1-3	Snabbblåsspak	C1-4	Vingmutter
C2-1	Blåsrör	C2-2	Kontrollhandtag rör
C2-3	Skåra	C2-4	List
C3-1	Stift		

Anslut det avsmalnande munstycket till blåsröret

1. Rikta in spåret i munstycket med spärren på röret. Tryck munstycket över röret tills det snäpper på plats (bild D1).
2. **Tryck in och håll ner munstyckets låsknapp** för att öppna spärren och dra sedan munstycket rakt ut från lövblåsarens rör (bild D2).

D1-1	Låsknapp för munstycke	D1-2	Spärrhake
------	------------------------	------	-----------

DRIFT

⚠ VARNING: Bli inte vårdslös bara för att du är bekant med denna produkt. Kom ihåg att oaksamhet under en bråkdel av en sekund är tillräcklig för att orsaka allvarliga skador.

⚠ VARNING: Använd inga andra tillsatser eller tillbehör än de som rekommenderas av tillverkaren av denna produkt. Användning av tillbehör eller tillsatser som inte rekommenderas kan resultera i allvarlig personskada.

⚠ VARNING: Ta alltid bort batteripaketet från produkten vid montering av delar, justeringar, rengöring eller när den inte ska användas. När batteripaketet tas bort förhindrar det oavsiktliga starter som kan orsaka allvarliga personskador.

Inspektera hela produkten innan varje användning om där finns skador, saknade eller lösa delar såsom skruvar, muttrar, bultar, höljen etc. Dra åt alla fästelement och lock och använd inte denna produkt innan alla saknade eller skadade delar bytts ut.

ANVÄNDNING

Du kan använda denna produkt för de tillämpningar som listas nedan:

- Rensa löv och diverse trädgårdsavfall från gräsmattor och mulchbäddar.
- Rensa hårda ytor som t.ex. uppfarter och gångvägar.
- Hålla däck och uppfarter fritt från löv och kottar.

NOTICE: The tool is to be used only for its prescribed purpose. All annan användning betraktas som missbruk.

FÄST/TA LOSS BATTERIPAKETET

Använd endast EGO:s batteripaket och laddare som listas i bild A2.

Se motsvarande batteripaket och laddarmanualer för mer information.

Ladda fullt innan första användning.

UPPMÄRKSAMMA: För bästa prestanda rekommenderar vi att du använder EGO 56 V-batteripaket BA3360T (6,0 Ah) eller andra EGO 56 V-batteripaket med högre Ah-klassning.

Lövlåsaren har två aktiva batteriportar på vänster och höger sida av batteriportens hölje.

NOTERA: Lövlåsaren kan fungera med ett eller två batterier. Användning av två batterier ger dig en längre körtid och effektiv effektdragning som hanteras av PEAK POWER™ -tekniken.

SE

När batteripaketet sätts in i motsvarande batteriportar markerade med 1 eller 2 på ryggspäckslattan och lövblåsaren är påslagen, kommer motsvarande batteriikon att lysa på LCD-skärmen (bild E1).

Fästa (bild E2)

Rikta in listerna på batteriet med monteringspåren och tryck sedan ner batteripaketet tills du hör ett "klick". Fäst det andra batteriet.

Ta bort

Tryck på batteriets lås knapp och dra ut batteripaketet

⚠ VARNING: Var alltid noga med att se var du har dina fötter, barn eller husdjur när du trycker in lås knappen för batteriet. Allvariga personskador kan inträffa om batteripaketet tappas. Ta ALDRIG ut batteripaketet när du är på en hög plats.

E1-1	Batteriportens nummer	E1-2	LCD-skärm
E1-3	Batteriikon	E2-1	Batterilist
E2-2	Monteringspåre	E2-3	Batteriålsknapp

POSITIONERA LÖVBLÅSAREN MED AXELSELE

⚠ VARNING: Använd korrekta kläder för att minska risken för personskador vid användning av denna maskin. Bär inte löst sittande kläder eller smycken. Använd ögon- och öron-/hörselskydd. Använd rejäla långbyxor, kängor och handskar. Använd inte shorts, sandaler eller gå barfota.

Innan du använder ryggspäckslövblåsaren ska du se till att operatören bär ögonskydd och lämpliga kläder och att hen kan stå säkert och balanserat.

Justera stödselen

1. För armarna genom axelselens remmar för att stödja lövblåsaren på din rygg.
2. Justera bägge axelremmarna till ett bekvämt läge (bild F1). Se även till att din armbåge är i ett bekvämt läge.
3. Knäpp fast bröstspännet och justera bröstbandets längd om nödvändigt (bild F2).
4. Knäpp midjespännet och justera midjebandets längd så att ryggspäckslövblåsaren får ett säkert stöd runt höfterna (bild F3 och F4).

NOTERA: Selen bör inte sitta för högt upp på ryggen. Den ska placeras närmare höften än axlarna.

⚠ VARNING: I en nödsituation ska du omedelbart lossa bröst- och midjespännena för att ta av ryggspäckslövblåsaren på varje sida. Detta är en metod för snabbkoppling.

5. Justera axelremmarna för säker och bekväm användning. Se till att selen sitter korrekt över ryggen, med vikten som stöds av midjebältet, och utan att den flyttas för mycket när du rör dig (bild F5).
6. För in bandets extralängd runt midjan i resåren på båda sidorna (bild F6).
7. För att ta bort selen från ryggen, tryck bara på midje- och bröstspännena för att frigöra dem och sänka ner lövblåsaren (bild F7).

F1-1	Axelrem	F2-1	Bröstspänne
F3-1	Midjespänne	F6-1	Elastisk
F6-2	Extra längd på bandet		

Justera kontrollhandtaget

1. Lossa snabbblåsspaken för att flytta manöverhandtaget framåt eller bakåt efter behov (bild G1 och G2) och sätt sedan in snabbblåsspaken för att fästa handtaget på plats.
2. Du kan även vrida handtaget om det blir bekvämare (bild G3).

G1-1	Styrhandtag	G1-2	Snabbblåsspak
------	-------------	------	---------------

Justera kontrollhandtagets rörlängd (bild H1, H2)

1. Släpp snabbblåsspaken.
2. Flytta blåsörret till ett bekvämt arbetsläge inom justeringszonen (bild H1).
3. Koppla in snabbblåsspaken för att fästa fläktröret på plats (bild H2).

H1-1	Blåsör	H1-2	Snabbblåsspak
H2-1	Justeringszon		

STARTA/STOPPA LÖVBLÅSAREN

NOTERA: Lövblåsen kanske inte startar ordentligt om batteripaketet eller lövblåsarens temperatur är -15 °C eller lägre. Ta i så fall ut batteripaketet ur lövblåsen och låt batteripaketet och fläkten värmas upp inomhus i 10 minuter eller längre. Sätt tillbaka batteripaketet och försök igen.

Avtryckare för lufthastighet (bild I1 och I2)

- Tryck in avtryckaren för lufthastighet för att slå på lövblåsaren, sedan visar LCD-skärmen bränslemätaren, batteriikonen och lufthastighetsindikatorn.

NOTERA: 1 lysdiod på bränslemätaren på LCD-skärmen blinkar när batteriets laddningsnivå är låg.

- Lufthastigheten för lövblåsaren kontrolleras med den variabla hastighetsavtryckaren. Mer tryck på avtryckarens resulterar i högre blåshastighet, mindre tryck resulterar i lägre blåshastighet. Ställ in hastigheten så den passar uppgiften. Motsvarande indikator för lufthastighet visas på LCD-skärmen.
- Släpp upp avtryckaren för lufthastighet för att stänga av lövblåsaren. LCD-skärmen släcks inom en viss tidsperiod efter att avtryckaren har släppts.

Turbo-läge

Medan lufthastighetsavtryckaren är intryckt och hålls intryckt, tryck på turboknappen för att öka luftflödet till maximal hastighet (bild I1). Både turbo-indikatorn och fläktikonen tänds på LCD-skärmen (bild I3).

NOTERA: Lövblåsaren återgår till föregående hastighet när turboknappen släpps.

Hastighetslåsläge

Hastighetsspärrarna kan användas för att driva fläkten utan att kontinuerligt trycka på avtryckaren för lufthastighet.

1. Tryck in avtryckaren för lufthastighet tills du når önskad hastighet (bild I1).
2. Tryck på knappen för hastighetslås. Ikonen för hastighetslåset tänds på LCD-skärmen (bild I4).
3. Släpp sedan avtryckaren för lufthastighet, fläkten fortsätter att gå på "önskad" hastighet.
NOTERA: Om du trycker på turboknappen i hastighetslåsläget kan du låsa lufthastigheten på maximal nivå. Fläkten återgår till föregående hastighet när du trycker på turboknappen en gång till.
4. **För att frigöra hastighetslåset**, tryck på knappen för hastighetslås igen. Ikonen för hastighetsspärr försvinner från LCD-skärmen och fläkten stängs av.

I1-1	Turbo-knapp	I1-2	Knapp för hastighetslås
I1-3	Avtryckare för lufthastighet	I2-1	Bränslemätare
I2-2	Indikator för lufthastighet	I2-3	Batteriikon
I3-1	Fläktikon	I3-2	Turbo-indikator
I4-1	Ikon för hastighetslås		

KOMMUNIKATIONSTEKNOLOGI

För information eller vårt kompletta utbud av anslutna produkter och tjänster, inklusive anslutningsinstruktioner, skanna QR-koden nedan eller besök www.egopowerplus.eu/connect.



TIPS VID ANVÄNDNING AV LÖVBLÅSAREN

- För att inte sprida ut skräpet, blås runt de yttre kanterna av skräphögen. Blås aldrig mitt i skräphögen.
- För att minska ljudnivåerna, begränsa antalet delar som utrustningen använder samtidigt.
- Använd krattor och sopborstar för att lossa på skräpet före lövblåsaren används. I dammiga förhållanden, fukta ytan något när vatten finns tillgängligt.
- Se upp för barn, husdjur, öppna fönster och nytvättade bilar och blås sedan bort skräpet på ett säkert sätt.
- Plocka upp småskräp efter att du har använt lövblåsaren eller annan utrustning! Kassera skräpet på ett korrekt sätt.

UNDERHÅLL

⚠ VARNING: Vid service ska enbart identiska utbyteskomponenter användas. Användning av andra delar kan skapa risker eller orsaka produktskador. För att garantera en säker och pålitlig användning måste alla reparationer utföras av en kvalificerad servicetekniker.

⚠ VARNING: För att undvika allvarliga personskador, ta alltid ut batteripaketet ur produkten vid rengöring eller underhåll.

ALLMÄNT UNDERHÅLL

Använd inte lösningsmedel när du rengör plastdelarna. De flesta plaster är känsliga för skador från olika typer av kommersiella lösningsmedel och kan skadas av dess användning. Använd rena trasor för att ta bort smuts, damm, olja, fett osv.

⚠ VARNING: Låt aldrig bromsvätska, bensin, petroleumbaserade produkter, penetrerande oljor etc. komma i kontakt med plastdelar. Kemikalier kan skada, försvaga eller förstöra plast, vilket kan resultera i allvarliga personskador.

SE

⚠ VARNING: För att minska risken för brand, personskador och produktskador på grund av kortslutning får du aldrig sänka ned maskinen, batteriet eller laddaren i vätska eller låta vätska rinna inuti dem. Frätande eller ledande vätskor, t.ex. havsvatten, vissa industrikemikalier, blekmedel eller produkter som innehåller blekmedel, etc., kan orsaka kortslutning.

FÖRVARING

- Ta ut batteripaketet/-paketen från lövblåsaren.
- Ta bort allt främmande material från luftintagen på lövblåsaren.
- Rikta in blåsörets utstickare med skåran för upphängning och haka blåsöret på batteriportens hölje (bild J1 och J2).
- Förvara i ett slutet utrymme som är utom räckhåll för barn. Håll den borta från frätande medel som t.ex. trädgårdskemikalier och vägsalt.

SE

J1-1	Blåsörets förvaringsvred	J1-2	Skåra för upphängning
------	--------------------------	------	-----------------------

Skydda miljön



Kasta inte elektrisk utrustning, använt batteri och laddare i hushållssoporna! Ta denna produkt till en auktoriserad återvinnare och gör den tillgänglig för separat insamling. Elektriska verktyg måste returneras till en miljöanpassad återvinningsanläggning.

FELSÖKNING

PROBLEM	ORSAK	LÖSNING
Lövblåsaren fungerar inte.	<ul style="list-style-type: none"> Batteripaketet är inte monterat på lövblåsaren. 	<ul style="list-style-type: none"> Montera batteripaketet på lövblåsaren.
	<ul style="list-style-type: none"> Ingen elektrisk kontakt mellan lövblåsaren och batteriet. 	<ul style="list-style-type: none"> Ta bort batteripaketet, kontrollera kontakterna och sätt tillbaka batteripaketet.
	<ul style="list-style-type: none"> Batteripaketets laddning är slut. 	<ul style="list-style-type: none"> Ladda batteripaketet.
	<ul style="list-style-type: none"> Batteripaketet eller lövblåsaren är för varm. 	<ul style="list-style-type: none"> Låt batteripaketet och lövblåsaren svalna tills temperaturen sjunker under 67 °C.
	<ul style="list-style-type: none"> Skadad avtryckare för lufthastighet. 	<ul style="list-style-type: none"> Kontakta EGO kundtjänst för hjälp.
	<ul style="list-style-type: none"> Batteripaketet eller lövblåsaren är alltför kall. 	<ul style="list-style-type: none"> Ta ut batteripaketet och låt batteripaketet och fläkten värmas upp inomhus. Vi rekommenderar att du laddar batteripaketet helt och startar lövblåsen på låg hastighet utan att aktivera turboläget.
Låsläget för hastighet kan inte slås på eller stängas av.	<ul style="list-style-type: none"> Skadad hastighetsläsknapp. 	<ul style="list-style-type: none"> Kontakta EGO kundtjänst för hjälp.
Lufthastigheten minskar märkbart.	<ul style="list-style-type: none"> Batteriladdningen är låg. 	<ul style="list-style-type: none"> Ladda batteripaketet.
	<ul style="list-style-type: none"> Överdrivet slitage på motorfläkten. 	<ul style="list-style-type: none"> Kontakta EGO service för reparation.
	<ul style="list-style-type: none"> Luftintaget är blockerat av skräp. 	<ul style="list-style-type: none"> Ta ut batteripaketet, rensa sedan bort skräpet.
LCD-skärmen fungerar inte som den ska.	<ul style="list-style-type: none"> LCD-skärmen eller kabelanslutningen är skadad. 	<ul style="list-style-type: none"> Kontakta EGO service för reparation.
1 LED på bränslemätaren på LCD-skärmen blinkar.	<ul style="list-style-type: none"> Batteriladdningen är låg. 	<ul style="list-style-type: none"> Ladda batteripaketet.

SE

GARANTI

EGO GARANTIPOLICY

Besök webbsidan egopowerplus.eu för fullständiga villkor för EGO garantipolicy.

LUE KAIKKI OHJEET!



LUE KÄYTTÖOPAS

VAROITUS: Pätevän huoltoteknikon tulee suorittaa kaikki korjaukset, jotta voidaan taata tuotteen turvallinen ja luotettava käyttö.

TURVALLISUUSYMBOLIT

Turvallisuussymbolien tarkoituksena on kiinnittää huomiota mahdollisiin vaaroihin. Turvallisuussymbolit ja niiden selitykset on syytä lukea tarkkaan ja ymmärtää perusteellisesti. Varoitusymbolit eivät yksin poista vaaran mahdollisuutta. Niiden antamat ohjeet ja varoitukset eivät korvaa kunnollisia onnettomuuksien ehkäisytoimenpiteitä.

VAROITUS: Lue ja ymmärrä tämän käyttöoppaan kaikki turvallisuusohjeet, mukaan lukien turvallisuusvaroitusymbolit, kuten "VAARA", "VAROITUS" ja "HUOMIO" ennen koneen käyttämistä. Alla olevien ohjeiden noudattamatta jättäminen saattaa aiheuttaa sähköiskun, tulipalon ja/tai vakavan henkilövahingon.

FI

SYMBOLIEN MERKITYKSET

TURVALLISUUSHÄLYTYKSEN SYMBOLI: Ilmaisee VAARAA, VAROITUSTA tai HUOMIOTA, voidaan käyttää muiden symbolien tai kuvamerkkien yhteydessä.

TURVALLISUUSOHJEET

Tällä sivulla kuvataan ja esitellään turvallisuussymbolit, jotka saattavat esiintyä tässä tuotteessa. Lue, ymmärrä ja noudata kaikkia laitteen ohjeita ennen kuin yrität koota sen tai käyttää sitä.



Turvallisuushälytys



Käytä aina kuulosuojaimia, kun käytät laitetta.



Pidä kaikki sivulliset ainakin 15 metrin päässä.



Tämä tuote vastaa sovellettavaa UK-lainsäädäntöä.



Tasavirta

IPX5

Suojaus vesisuihkuiltä

V

Jännite

°C

Celsius

N

Newton



Käyttäjän tulee ennen tuotteen käyttämistä lukea käyttöopas loukkaantumisvaaran pienentämiseksi.



Käytä aina suojalaseja tai sivusuojilla varustettuja suojalaseja ja kokonaamaria, kun käytät tätä tuotetta.



Tämä tuote vastaa sovellettavia EU-direktiivejä.



Vanhoja sähkölaitteita ei saa hävittää kotitalousjätteen mukana. Vie laite valtuutettuun kierrätyslaitokseen.



Bluetooth®-symboli



Taattu äänitehotaso. Melupäästöt ympäristöön Euroopan yhteisön direktiivin mukaiset.

kg

Kilogramma

m³/h

Kuutiometriä per tunti

m/s

Metriä sekunnissa

TEKNISET TIEDOT

Jännite	56 V	
Suurin ilmamäärä	1360 m ³ /h	
Suurin ilmannoisuus	85 m/s	
Suurin puhallusteho	26 N	
Arvioitu käyttöaika	Kahdella 6,0 Ah:n akulla	24 min (Turbo)
		32 min (Korkea nopeus)
		120 min (Alhainen nopeus)
	Kahdella 7,5 Ah:n akulla	30 min (Turbo)
		40 min (Korkea nopeus)
		150 min (Alhainen nopeus)
	Kahdella 10 Ah:n akulla	40 min (Turbo)
		52 min (Korkea nopeus)
		200 min (Alhainen nopeus)
	Kahdella 12 Ah:n akulla	48 min (Turbo)
		63 min (Korkea nopeus)
		240 min (Alhainen nopeus)
Bluetooth-käyttöaajuuskaista	2400 - 2438 MHz	
Bluetooth suurin lähetysteho	5 dBm	
Paino (ilman akkua)	7,7 kg	
Suosittelun käyttölämpötila	-15 - 40 °C	
Suosittelun säilytyslämpötila	-20 - 70 °C	
Mitattu äänitehotaso L _{WA}	97 dB(A) K=1,1 dB(A)	
Äänenpaineen taso käyttäjän korvien tasolla L _{PA}	82 dB(A) K=3 dB(A)	
Taattu äänentehotaso L _{WA} (mitattu 2000/14/EY mukaisesti)	98 dB (A)	
Tärinä a _h	0,35 m/s ² K=1,5 m/s ²	

- Ilmoitettu tärinän kokonaispäästöarvo on mitattu standarditestausmenetelmän mukaisesti, ja sen avulla voidaan vertailla työkaluja keskenään;
- Ilmoitettua tärinän kokonaispäästöarvoa voidaan käyttää myös altistumisen alustavaan arviointiin.

HUOMAUTUS: Työkalun käytön aikana mitattu todellinen tärinäpäästöarvo voi poiketa ilmoitetusta

kokonaispäästöarvosta työkalun käyttötavasta johtuen; käyttäjän suojaamiseksi tulee käyttää kasineita ja kuulosuojaimia varsinaisissa käyttöolosuhteissa.

PAKKAUSLUETTELO (KUVA A1)

KUVAUS

TUNNE PUHALTIMESI (kuva A1)

1. Säädettävät tukivaijatat
2. Puhaltimen putken säilytysnappi
3. Reppulevy
4. Ohjauskahva
5. Kapeneva suutin
6. Puhaltimen putki
7. Ohjauskahvan putki
8. Palkeet
9. Ilmanotto
10. Apukahva
11. Sähköliitännät
12. Salpa
13. Akun vapautuspainikkeet
14. Kahva
15. Nopeuden lukituspainike
16. LCD-näyttö
17. Turbo-painike
18. Ilman nopeusliipaisin
19. Putken ripustusura
20. Pikavapautusvivut
21. Bluetooth-ilmaisin
22. Akkutehottomittari
23. Tuuletinkuvake
24. Turbo-merkkivalo
25. Ilmannoisuuden merkkivalo
26. Nopeuden lukituskuvake
27. Akkukuvake

KOKOAMINEN

VAROITUS: Jos jokin osa on vahingoittunut tai puuttuu, älä käytä tuotetta ennen kuin osat on vaihdettu. Tuotteen käyttö vioittuneilla tai puuttuvilla osilla voi aiheuttaa vakavan henkilövahingon.

VAROITUS: Älä yritä muokata tätä laitetta tai luoda sille lisävarusteita, joita ei suositella käytettäväksi tämän puhaltimen kanssa. Mikä tahansa tällainen muokkaus tai muutos on väärinkäyttö ja saattaa aiheuttaa vaarallisen tilan, joka saattaa johtaa vakavaan henkilövammaan.

VAROITUS: Poista akut työkalusta aina, kun kokoat osia. Näin varmistat, ettei laite käynnisty vahingossa eikä aiheuta vakavia henkilövahinkoja.

PUHALTIMEN PUTKIEN KOKOAMINEN

Ohjauskahvan putken liittäminen palkeisiin

1. Työnnä ohjauskahvan putken yläpää palkeisiin niin pitkälle kuin se menee (kuva B1).
2. Kiristä palkeiden kiinnityskauluksen ruuvi kokonaan (kuva B2).

B1-1	Palkeet	B1-2	Kiinnityskaulus
B1-3	Yläpää	B1-4	Ohjauskahvan putki
B2-1	Ruuvi		

FI

Puhaltimen putken liittäminen ohjauskahvan putkeen

1. Löysää ja irrota pikavapautusvipu ja siipimutteri puhaltimen putken kiinnitetystä putken kiinnityskokoonpanosta (kuva C1).
2. Kohdistu puhaltimen putken ura ohjauskahvan putken kohoumaan, liu'uta puhaltimen putki ohjauskahvan putken yli niin pitkälle kuin se menee (kuva C2).
3. Työnnä pikavapautusvivun tappi paikalleen ja sulje vipu putken puristimeen (kuva C3).
4. Kiristä siipimutteri kiinnittääksesi putken puristimen (kuva C4).

C1-1	Puhaltimen putki	C1-2	Putken puristin
C1-3	Pikavapautusvipu	C1-4	Siipimutteri
C2-1	Puhaltimen putki	C2-2	Ohjauskahvan putki
C2-3	Ura	C2-4	Uloke
C3-1	Tappi		

Kapenevan suuttimen liittäminen puhaltimen putkeen

1. Kohdistu suuttimen ura putken salpaan. Paina suutin putken päälle, kunnes se napsahtaa kunnolla paikalleen (kuva D1).
2. **Poista suutin** pitämällä suuttimen vapautuspainiketta painettuna salvan vapauttamiseksi, vedä sitten suutin suoraan irti puhaltimen putkesta (kuva D2).

D1-1	Suuttimen vapautuspainike	D1-2	Salpa
------	---------------------------	------	-------

KÄYTTÖ

VAROITUS: Älä anna tämän laitteen tuttuuden tehdä sen käsittelystä huolimattonta. Muista, että sekunnin sadasosankin huolimattomuus riittää vakavan vammaan aiheutumiseen.

VAROITUS: Älä käytä lisälaitteita tai lisävarusteita, jos tämän tuotteen valmistaja ei ole suositellut niitä. Tällaisten lisävarusteiden tai apuvälineiden käyttö saattaa aiheuttaa vakavia henkilövahinkoja.

VAROITUS: Poista akut laitteesta aina, kun kokoat osia, teet muutoksia tai puhdistat laitetta tai kun et käytä sitä. Näin varmistat, ettei laite käynnisty vahingossa, mikä voi aiheuttaa vakavia henkilövahinkoja.

Ennen jokaista käyttökertaa tarkista laite kokonaisuudessaan vahingoittuneiden, puuttuvien tai löystyneiden osien varalta, kuten ruuvit, mutterit, pultit, korkit jne. Kiinnitä kaikki kiinnittimet ja kannet tiukasti, äläkä käytä laitetta ennen kuin kaikki puuttuvat tai vahingoittuneet osat on vaihdettu.

KÄYTTÄMINEN

Tätä laitetta voi käyttää seuraavassa mainittuihin tarkoituksiin:

- Lehtien ja erilaisten pihajätteiden siivoaminen nurmikoilta ja multapenkereiltä.
- Koviin pintojen, kuten ajoteiden ja jalkakäytävien, puhdistamiseen.
- Tasanteiden ja ajoteiden puhdistaminen lehdistä ja neulasista.

HUOMAUTUS: Työkalua tulee käyttää vain sille määritettyyn tarkoitukseen. Kaikki muu käyttö katsotaan väärinkäytöksi.

AKUN LIITTÄMINEN/POISTAMINEN

Käytä vain EGO:n akkuja ja latureita, jotka on lueteltu alla kuvassa A2.

Lisätietoja on vastaavien akkujen ja latureiden käyttöohjeissa.

Lataa täyteen ennen ensimmäistä käyttökertaa.

HUOMAUTUS: Parhaan suorituskyvyn saavuttamiseksi suosittelemme EGO 56V -akkupaketin BA3360T (6,0 Ah) tai muiden EGO 56V -akkupakettien, joiden Ah-arvo on suurempi, käyttöä.

Puhaltimessa on kaksi aktiivista akkuaukkoa akkukotelon vasemmalla ja oikealla puolella.

HUOMAA: Puhallin toimii yhdellä tai kahdella akulla.

Kahden akun käyttö antaa sinulle pidemmän käyttöajan ja tehokkaan virranoton, jota hallitaan PEAK POWER™-teknikalla.

Kun akut asetetaan reppulevyssä oleviin vastaaviin akkuaukkoihin, jotka on merkitty reppulevyyn merkinnällä 1 tai 2, ja puhallin kytketään päälle, vastaava akkukuvake syttyy LCD-näytössä (kuva E1).

Kiinnittäminen (kuva E2)

Kiinnitä kohdistamalla akun ulokkeet kiinnitysaukkoihin ja painamalla akkua alaspäin, kunnes kuuluu ”napsahdus”. Kiinnitä toinen akku.

Poistaminen

Paina akun vapautuspainiketta ja vedä akku ulos

VAROITUS: Huomioi aina, missä omat jalkasi, lapset tai lemmikit ovat, kun painat akun vapautuspainiketta. Jos akku putoaa, se voi aiheuttaa vakavan vamman. Älä IKINÄ poista akkua, jos se sijaitsee korkealla.

E1-1	Akkuaukkojen määrä	E1-2	LCD-näyttö
E1-3	Akkukuvake	E2-1	Akun kannatin
E2-2	Kiinnitysaukko	E2-3	Akun vapautuspainike

SELÄSSÄ KANNETTAVAN PUHALTIMEN ASETTAMINEN

VAROITUS: Pukeudu asianmukaisesti välttääksesi loukkaantumisvaaran tätä konetta käyttäessäsi. Älä käytä väljiä vaatteita tai koruja. Käytä suojalaseja ja kuulosuojaimia. Käytä paksuja, pitkälahkeisia housuja, kunnollisia jalkineita ja suojakäsineitä. Älä käytä lyhyitä housuja, sandaaleita tai ole paljain jaloin.

Varmista ennen reppupuhaltimen käyttöä, että käyttäjällä on silmiensuojaimet ja asianmukainen vaatetus ja että hän pystyy säilyttämään tukevan ja tasapainoisen seisoma-asennon.

Tukivaljaiden säätäminen

1. Työnnä kätesi valjaiden hihnojen läpi, jotta tuet puhaltimen selkääsi.
2. Säädä kumpikin olkahihna itsellesi miellyttävään asentoon (kuva F1) varmistaen, että kyynärpäsi on mukavasti.
3. Napsauta rintasolkea ja säädä rintahihna tarvittavaan pituuteen (kuva F2).
4. Napsauta vyötärösolkea ja säädä vyötäröhihna sellaiseen pituuteen, että selkäreppu on kunnolla tuettu lanteeseen (kuvat F3 ja F4).

HUOMAA: Selkäreppu ei saa olla liian korkealla selässä; sen tulee olla lähempänä lannetta kuin olkapäitä.

VAROITUS: Hätätilanteessa vapauta rinta- ja vyötärösoljet välittömästi ja irrota selkäreppun hihna kummaltakin puolelta. Tämä on nopea vapautusmenetelmä.

5. Säädä olkahihnat uudelleen turvallisuuden ja mukavuuden takia. Varmista, että selkäreppu istuu tukevasti selässäsi, vyötäröhihna tukee sen painoa, eikä se siirry, kun liikut (kuva F5).
6. Työnnä kaikki ylimääräinen hihnanpituus vyötärön ympäriltä kummassakin sivussa olevaan kuminauhaan (kuva F6).
7. Voit irrottaa selkäreppun selästä avaamalla vyötärö- ja rintahihnan niiden solkia painamalla, laske sitten puhallin alas (kuva F7).

F1-1	Olkahihna	F2-1	Rintasolki
F3-1	Vyötärön solki	F6-1	Kuminauha
F6-2	Hihnan lisäpituus		

Ohjauskahvan säätäminen

1. Vapauta pikavapautusvipu siirtääksesi ohjauskahvaa eteen- tai taaksepäin tarpeen mukaan (kuvat G1 ja G2) ja kiinnitä sitten pikavapautusvipu kiinnittääksesi ohjauskahvan paikalleen.
2. Voit myös kiertää kahvaa tarpeen mukaan käyttömukavuuden lisäämiseksi (kuva G3).

G1-1	Ohjauskahva	G1-2	Pikavapautusvipu
------	-------------	------	------------------

Ohjauskahvan putken pituuden säätäminen (kuvat H1 ja H2)

1. Vapauta pikavapautusvipu.
2. Siirrä puhaltimen putki mukavaan käyttöasentoon säätöalueella (kuva H1).
3. Kiinnitä pikavapautusvipu kiinnittääksesi puhaltimen putken paikalleen (kuva H2).

H1-1	Puhaltimen putki	H1-2	Pikavapautusvipu
H2-1	Säätöalue		

PUHALTIMEN KÄYNNISTYS/SAMMUTUS

HUOMAA: Puhallin ei ehkä käynnisty kunnolla, jos akku tai puhaltimen lämpötila on -15 °C tai sen alle. Tässä tapauksessa irrota akku puhaltimesta ja anna akun ja puhaltimen lämmitä sisätiloissa vähintään 10 minuuttia. Asenna akku takaisin paikalleen ja yritä uudelleen.

Ilman nopeusliipaisin (kuvat I1, I2)

- Kytke puhallin päälle painamalla ilman nopeusliipaisinta, jolloin LCD-näytössä näkyy akkutehmittari, akkukuvake ja ilmannoepuden merkkivalo.

HUOMAA: 1 akkutehon LED-valo vilkkuu LCD-näytössä, kun akun varaus on alhainen.

- Puhaltimen ilman nopeutta säädetään portaattomalla nopeuden liipaisimella. Painamalla liipaisinta enemmän saat nopeamman puhallusnopeuden, painamalla liipaisinta vähemmän saat hitaamman puhallusnopeuden. Sääda nopeus tehtävän työn mukaan. Vastaava ilmannoepuden merkkivalo näkyy LCD-näytössä.
- Vapauta ilman nopeusliipaisin puhaltimen sammuttamiseksi. LCD-näyttö sammuu tietyn ajan kuluessa liipaisimen vapauttamisesta.

FI

Turbo-tila

Kun ilman nopeusliipaisinta pidetään painettuna, paina turbopainiketta ilmavirran nostamiseksi maksiminopeuteen (kuva I1). Turbo-merkkivalo ja tuulettimen kuvake ilmestyvät LCD-näyttöön (kuva I3).

HUOMAA: Puhallin palaa edelliseen nopeuteen, kun turbo-painike vapautetaan.

Nopeuden lukitustila

Nopeuslukitusta voidaan käyttää puhaltimen käyttämiseen ilman, että ilman nopeusliipaisinta painetaan jatkuvasti.

1. Paina ilman nopeusliipaisinta, kunnes saavutat haluamasi nopeuden (kuva I1).
2. Paina nopeuden lukituspainiketta. Nopeuslukon kuvake syttyy LCD-näyttöön (kuva I4).
3. Vapauta ilman nopeusliipaisin, jolloin puhallin pysyy käynnissä "halutulla" nopeudella.
HUOMAA: Painamalla turbo-painiketta nopeuden lukitustilassa voit lukita ilman nopeuden maksimitasolle. Puhallin jatkaa aiemmalla nopeudella, kun painat turbo-painiketta vielä kerran.
4. Voit vapauttaa nopeuslukon painamalla nopeuden lukituspainiketta uudelleen. Nopeuden lukituskuvake katoaa LCD-näytöstä ja puhallin sammuu.

I1-1	Turbo-painike	I1-2	Nopeuden lukituspainike
I1-3	Ilman nopeusliipaisin	I2-1	Akkutehmittari

I2-2	Ilmannoepuden merkkivalo	I2-3	Akkukuvake
I3-1	Tuuletinkuvake	I3-2	Turbo-merkkivalo
I4-1	Nopeuden lukituskuvake		

VIESTINTÄTEKNIikka

Jos haluat tietoja yhdistettyjen tuotteiden ja palveluiden koko valikoimasta, mukaan lukien yhdistämisohteet, skannaa alla oleva QR-koodi tai käy osoitteessa www.egopowerplus.eu/connect.



VINKKEJÄ PUHALTIMEN KÄYTTÖÖN

- Puhalla irtoaineskasan ympäriltä, jotta et levitä irtoainesta ympäriinsä. Älä ikinä puhalla kasan keskelle.
- Rajoita käytössä olevien laitteiden määrää, jos äänentasoa on alennettava.
- Käytä haravia ja luutia irtoaineksen irrottamiseksi ennen puhaltamista. Kostuta pintoja hieman pölyisissä olosuhteissa, jos vettä on saatavilla.
- Varo lapsia, lemmikkejä, avoimia ikkunoita tai juuri pestyjä autoja ja pidä huolta, että puhallat irtoaineksen turvallisesti pois.
- Kun olet käyttänyt puhaltimia tai muita laitteita, siivoa jälkesi! Hävitä irtoaines oikeaoppisesti.

HUOLTAMINEN

VAROITUS: Käytä huollon yhteydessä vain identtisiä varaosia. Muiden osien käyttö saattaa aiheuttaa vaaran tai laitteen vaurioitumisen. Pätevän huoltoteknikon tulee suorittaa kaikki korjaukset, jotta voidaan taata tuotteen turvallinen ja luotettava käyttö.

VAROITUS: Poista akku aina laitteesta, kun puhdistat sitä tai teet huoltotoimenpiteitä. Näin vältät vakavat henkilövahingot.

YLEINEN KUNNOSSAPITO

Vältä liuotinaiden käyttöä, kun puhdistat muoviosia. Useimmat muovit ovat herkkiä vaurioitumaan erilaisista kaupallisista liuottimista ja voivat vaurioitua niiden käytöstä. Poista lika, pöly, öljy, rasva ym. puhtaalla liinalla.

VAROITUS: Älä anna jarrunesteiden, bensiinin, ruosteen irrotusaineiden tai muiden öljypohjaisten tuotteiden joutua kosketuksiin muoviosien kanssa. Kemikaalit voivat vaurioittaa, heikentää tai tuhota muovin, mikä voi johtaa vakavaan henkilövahinkoon.

VAROITUS: Oikosulun aiheuttaman tulipalon, henkilövahingon ja tuotevaurion riskin vähentämiseksi älä koskaan upota konetta, akkua tai laturia nesteeseen tai anna nesteen virrata niiden sisälle. Syövyttävät tai johtavat nesteet, kuten merivesi, tietyt teollisuuskemikaalit ja valkaisuaineet tai valkaisuainetta sisältävät tuotteet jne., voivat aiheuttaa oikosulun.

SÄILYTYS

- Irrota akku (akut) puhaltimesta.
- Puhdista kaikki vierasperäiset materiaalit puhaltimen ilmanottoaukoista.
- Kohdista puhaltimen putken säilytysnuppi putken ripustusuraan ja ripusta puhallinputki akkuaukkoon kotelossa (kuvat J1 ja J2).
- Säilytä suljetussa paikassa, johon lapset eivät pääse. Pidä poissa syövyttävien aineiden, kuten puutarhakemikaalien ja jäänestosuolojen, läheltä.

J1-1	Puhallinputken säilytysnuppi	J1-2	Putken ripustusura
------	------------------------------	------	--------------------

Ympäristönsuojelu



Älä hävitä sähkölaitteita, käytettyjä akkuja tai laturia kotitalousjätteen seassa! Vie tämä tuote hyväksytyyn kierrätyspaikkaan tai anna se erilliseen keräilyyn. Sähkötyökalut tulee palauttaa asianmukaiseen ympäristöstävälliseen kierrätyslaitokseen.

VIANMÄÄRITYS

ONGELMA	SYY	RATKAISU
Puhallin ei toimi.	<ul style="list-style-type: none"> ■ Akkua ei ole liitetty puhaltimeen. 	<ul style="list-style-type: none"> ■ Liitä akku puhaltimeen.
	<ul style="list-style-type: none"> ■ Puhaltimen ja akun välillä ei ole sähköliitintää. 	<ul style="list-style-type: none"> ■ Poista akku, tarkista koskettimet ja asenna akku uudelleen paikalleen.
	<ul style="list-style-type: none"> ■ Akun varaus on tyhjentynyt. 	<ul style="list-style-type: none"> ■ Lataa akku.
	<ul style="list-style-type: none"> ■ Akku tai puhallin on ylikuumentunut. 	<ul style="list-style-type: none"> ■ Jäähdytä akkua ja puhallinta, kunnes niiden lämpötila on alle 67 °C.
	<ul style="list-style-type: none"> ■ Vaurioitunut ilman nopeusliipaisin. 	<ul style="list-style-type: none"> ■ Ota yhteyttä EGO:n asiakaspalveluun korjausta varten.
	<ul style="list-style-type: none"> ■ Akku tai puhallin on liian kylmä. 	<ul style="list-style-type: none"> ■ Irrota akku, anna akun ja puhaltimen lämmetä sisätiloissa. On suositeltavaa ladata akku täyteen ja käynnistää puhallin alhaisella nopeudella ilman Turbo-tilan aktivointia.
Nopeuden lukitustilaa ei voi kytkeä päälle tai pois päältä.	<ul style="list-style-type: none"> ■ Vaurioitunut nopeuden lukituspainike. 	<ul style="list-style-type: none"> ■ Ota yhteyttä EGO:n asiakaspalveluun korjausta varten.
Ilman nopeus hidastuu huomattavasti.	<ul style="list-style-type: none"> ■ Akun varaustaso on alhainen. 	<ul style="list-style-type: none"> ■ Lataa akku.
	<ul style="list-style-type: none"> ■ Moottorin tuulettimen liiallinen kuluminen. 	<ul style="list-style-type: none"> ■ Ota yhteyttä EGO-huoltoon korjausta varten.
	<ul style="list-style-type: none"> ■ Ilmanottoaukko on irtobaineksen tukkima. 	<ul style="list-style-type: none"> ■ Poista akku ja poista sitten roskat.
LCD-näyttö ei toimi kunnolla.	<ul style="list-style-type: none"> ■ LCD-näyttö tai johtoliitintä on vaurioitunut. 	<ul style="list-style-type: none"> ■ Ota yhteyttä EGO-huoltoon korjausta varten.
1 akkutehon LED-valo vilkkuu LCD-näytössä.	<ul style="list-style-type: none"> ■ Akun varaustaso on alhainen. 	<ul style="list-style-type: none"> ■ Lataa akku.

FI

TAKUU

EGON TAKUUEHDOT

Verkkosivustolta egopowerplus.eu löydät EGO:n takuukäytännön täydelliset ehdot.

LES ALLE INSTRUKSJONER!



LES BRUKERHÅNDBOKEN

⚠ ADVARSEL: For å sikre trygg og pålitelig bruk må alle reparasjoner utføres av en kvalifisert fagperson.

SIKKERHETSSYMBOLER

Hensikten med sikkerhetssymboler er å tiltrekke deg oppmerksomheten mot mulige farer. Sikkerhetssymbolene og forklaringene med dem fortjener nøye oppmerksomhet og forståelse. Symbolvarslene eliminerer ikke i seg selv noen fare. Instruksjonene og advarslene de gir, erstatter ikke riktige tiltak for å forhindre ulykker.

⚠ ADVARSEL: Sørg for å lese og forstå alle sikkerhetsinstruksjonene i denne brukerhåndboken, inkludert alle sikkerhetsvarselssymboler som "FARE", "ADVARSEL" og "FORSIKTIG" før du bruker denne maskinen. Unnlatelse av å følge alle instruksjonene nedenfor kan føre til elektrisk støt, brann og/eller alvorlig personskade.

SYMBOLBETYDELSE

⚠ SIKKERHETSSYMBOL: Indikerer FARE, ADVARSEL eller FORSIKTIG, kan brukes sammen med andre symboler eller piktogrammer

NO

SIKKERHETSINSTRUKSJONER

Denne siden viser og beskriver sikkerhetssymboler som kan vises på dette produktet. Les, forstå og følg alle instruksjonene på maskinen før du prøver å montere og bruke den.



Sikkerhetsvarsel



Bruk alltid hørselsvern når du bruker dette produktet.



Hold alle tilskuere minst 15 m unna.



Dette produktet er i samsvar med gjeldende britisk lovgivning.



Likestrøm



Beskyttelse mot vannstråler



Spenning



Celsius



Newton



For å redusere risikoen for skader må brukeren lese bruksanvisningen før produktet tas i bruk.



Bruk alltid vernebriller eller vernebriller med sidebeskyttelse, og full ansiktsskjerm når du bruker dette produktet.



Dette produktet er i samsvar med gjeldende EF-direktiver.



Elektrisk avfall skal ikke kastes sammen med husholdningsavfall. Send til en autorisert gjenvinner.



Bluetooth® Symbol



Garantert lydeffektnivå. Støy i omgivelsene er i henhold til EUs direktiv.



Kilogram




Kubikkmeter i timen



Meter per sekund

SPESIFIKASJONER

Spenning	56 V 	
Maksimalt luftvolum	1360 m ³ /t	
Maksimal lufthastighet	85 m/s	
Maksimal blåsekraft	26 N	
Omtrentlig kjøretid	Med to 6,0 Ah batteripakker	24 min. (Turbo)
		32 min. (Høy hastighet)
		120 min. (Lav hastighet)
	Med to 7,5 Ah batteripakker	30 min. (Turbo)
		40 min. (Høy hastighet)
		150 min. (Lav hastighet)
	Med to 10 Ah batteripakker	40 min. (Turbo)
		52 min. (Høy hastighet)
		200 min. (Lav hastighet)
	Med to 12 Ah batteripakker	48 min. (Turbo)
		63 min. (Høy hastighet)
		240 min. (Lav hastighet)
Bluetooth-driftsfrekvensbånd	2400 - 2438 MHz	
Bluetooth Maksimal sendeeffekt	5 dBm	
Vekt (uten batteripakke)	7,7 kg	
Anbefalt driftstemperatur	-15 °C - 40 °C	
Anbefalt lagringstemperatur	-20 °C - 70 °C	
Målt lydteffektivnivå L _{WA}	97 dB(A) K=1,1 dB(A)	
Lydtrykknivå ved brukerens øre L _{PA}	82 dB(A) K=3 dB(A)	
Garantert lydteffektivnivå L _{WA} (målt i henhold til 2000/14/EF)	98 dB(A)	
Vibrasjon a _n	0,35 m/s ² K=1,5 m/s ²	

NO

- Den deklarererte totale vibrasjonsverdien er målt i samsvar med en standard testmetode og kan brukes til å sammenligne ett verktøy med et annet;
- Den deklarererte totale vibrasjonsverdien kan også brukes i en foreløpig vurdering av eksponering.

MERKNAD: Vibrasjonsutslippet under faktisk bruk av elektroverktøyet kan avvike fra den deklarererte verdien som verktøyet brukes i; For å beskytte brukeren, bør brukeren bruke hansker og hørselsvern under de faktiske bruksforholdene.

PAKKELISTE (FIG. A1)

BESKRIVELSE

KJENN LØVBLÅSEREN DIN (Fig. A1)

- Justerbar støttese
- Oppbevaringsknapp for blåserør
- Ryggsekkplate
- Kontrollhåndtak
- Avsmalnende dyse
- Blåserør
- Kontrollhåndtaksrør
- Belg
- Luftinntak
- Hjelpehåndtak
- Elektriske kontakter
- Klinke
- Batteriutløserknapper
- Håndtak
- Knapp for hastighetslås
- LCD skjerm
- Turbo-knapp
- Lufthastighetsutløser
- Rørhengende spor
- Hurtigtutløserhendel
- Bluetooth-indikator
- Drivstoffmåler
- Fan-ikon
- Turbo indikator
- Lufthastighetsindikator
- Ikon for hastighetslås
- Batteriikon

MONTERING

⚠ ADVARSEL: Hvis noen av delene er skadet eller mangler, må du ikke bruke dette produktet før delene er byttet. Bruk av dette produktet dersom deler er skadet eller mangler, kan føre til alvorlige personskader.

⚠ ADVARSEL: Dikke forsøk å modifisere dette produktet eller lage tilbehør som ikke er anbefalt for bruk med denne blåseren. Enhver slik endring eller modifikasjon er misbruk og kan føre til en farlig tilstand som kan føre til mulig alvorlig personskade.

⚠ ADVARSEL: For å forhindre utilsiktet start som kan forårsake alvorlig personskade, fjern alltid batteriene fra verktøyet når du monterer deler.

SAMLING AV BLØSERØRENE

Koble kontrollhåndtaksrøret til belgen

1. Sett den øvre enden av kontrollhåndtaksrøret inn i belgen så langt det går (fig. B1).
2. Stram skruen godt til i klemkragen som er festet til belgen (fig. B2).

B1-1	Belg	B1-2	Klemkrage
B1-3	Øvre ende	B1-4	Kontrollhåndtaksrør
B2-1	Skru		

Koble blåserøret til kontrollhåndtaksrøret

1. Løsne og fjern hurtigutløserpakken og vingemutteren fra rørklemmeenheden som er festet til vifterøret (fig. C1).
2. Rett inn sporet i blåserøret med ribben på kontrollhåndtaksrøret, skyv blåserøret over kontrollhåndtaksrøret så langt det går (fig. C2).
3. Sett inn tappen til hurtigutløsningsspaken og lukk spaken på rørklemmen (fig. C3).
4. Stram til vingemutteren for å feste rørklemmen (fig. C4).

C1-1	Blåserør	C1-2	Rørklemme
C1-3	Hurtigutløserhendel	C1-4	Vingemutter
C2-1	Blåserør	C2-2	Kontrollhåndtaksrør
C2-3	Spor	C2-4	Ribbein
C3-1	Pin		

Koble den koniske dysen til blåserøret

1. Juster sporet i dysen med låsen på røret. Skyv munnstykket over røret til det klikker på plass (fig. D1).
2. **For å fjerne dysen**, trykk og hold inne dysefrigjøringsknappen for å frigjøre låsen, og trekk deretter dysen rett fra blåserøret (fig. D2).

D1-1	Dyseutløserknapp	D1-2	Klinke
------	------------------	------	--------

OPERASJON

⚠ ADVARSEL: Ikke føl deg så trygg med dette verktøyet at du blir skjodesløs. Husk at et uforsiktig tiendedel av et sekund er nok til å forårsake alvorlige skader.

⚠ ADVARSEL: Ikke bruk tilbehør eller tilbehør som ikke er anbefalt av produsenten av dette produktet. Bruk av tilbehør eller tilbehør som ikke er anbefalt kan føre til alvorlig personskade.

⚠ ADVARSEL: Ta alltid ut batteriene fra produktet når du setter sammen deler, gjør justeringer, rengjør eller når du ikke er i bruk. Fjerning av batteriene vil forhindre utilsiktet start som kan forårsake alvorlig personskade.

Før du bruker produktet, skal du kontrollere om det har skader, mangler eller løse deler, for eksempel skruer, muttere, bolter, hetter, osv. Stram alle festemidler og hetter godt og ikke bruk dette produktet før alle manglende eller skadede deler er skiftet ut.

APPLIKASJON

Du kan bruke dette produktet til formålene som er oppført nedenfor:

- Fjerning av løv og diverse hageavfall fra plener og mulchbed.
- Rydding av harde overflater, som innkjørsler og gangveier.
- Holde terrasser og innkjørsler frie for løv og barnåler.

LEGG MERKE TIL: Verktøyet skal bare brukes til sitt foreskrevne formål. Enhver annen bruk anses å være et tilfelle av misbruk.

FESTE/LØSNE BATTERIPAKKEN

Bruk bare med EGOs batteripakker og ladere oppført i fig. A2.

Se bruksanvisningene for tilsvarende batteripakker og ladere for mer informasjon.

Lad helt opp før første gangs bruk.

LEGG MERKE TIL: For best ytelse anbefaler vi bruk av EGO 56V-batteripakken BA3360T (6,0 Ah) eller andre EGO 56V-batteripakker med høyere Ah-klassifisering.

Blåseren har to aktive batteriporter, plassert på venstre og høyre side av batteriporthuset.

MERK: Viften kan drives av ett eller to batterier. Ved å bruke to batterier får du lengre driftstid og effektivt strømforbruk administrert av PEAK POWER™-teknologi.

NO

Når batteripakkene settes inn i de tilsvarende batteriportene merket med 1 eller 2 på ryggsekkplaten, og blåseren er slått på, vil det tilsvarende batteriikonet lyse på LCD-skjermen (fig. E1).

Å feste (fig. E2)

Juster batteriribbene med monteringssporene i ett og trykk batteripakken ned til du hører et "klikk". Fest det andre batteriet.

Å løsne

Trykk inn batteriutløserknappen og trekk ut batteripakken

⚠ ADVARSEL: Vær alltid oppmerksom på plasseringen av føttene, barna eller kjøledyrene dine når du trykker på batteriutløserknappen. Alvorlig skade kan oppstå hvis batteriet faller. Fjern ALDRI batteriet når du er på et høyt sted.

NO

E1-1	Batteriportnummer	E1-2	LCD skjerm
E1-3	Batteriikon	E2-1	Batterislissee
E2-2	Monteringsspor	E2-3	Batteriutløserknapp

PLASSERING AV RYGGSEKKBLÅSEREN

⚠ ADVARSEL: Kle deg riktig for å redusere risikoen for skade når du bruker denne maskinen. Ikke bruk løse klær eller smykker. Bruk øye- og øre-/hørselsvern. Bruk tunge, lange bukser, støvler og hansker. Ikke bruk korte bukser eller sandaler, og ikke gå barbert.

Før du bruker ryggsekkblåseren, sørg for at operatøren har på seg øyevern og riktige klær og kan opprettholde et sikkert og balansert fotfeste.

For å justere støtteselen

1. Legg armene gjennom ryggsekkstroppene for å støtte blåseren på ryggen.
2. Juster begge skulderstroppene midlertidig til komfortable posisjoner (fig. F1), og pass på at albuen er komfortabel.
3. Klikk på brystspennen og juster lengden på brystremmen om nødvendig (fig. F2).
4. Klikk på midjespennen og juster lengden på midjestroppen slik at ryggsekken støttes sikkert av hoftene (fig. F3 & F4).

MERK: Sekken bør ikke sitte for høyt på ryggen; den bør plasseres nærmere hoftene enn til skuldrene.

⚠ ADVARSEL: Når en nødsituasjon oppstår, løsne bryst- og midjespennene umiddelbart for å ta av ryggsekkstroppen på hver side. Dette er en hurtigfrigjøringsmetode.

5. Juster skulderstroppene på nytt for sikkerhet og komfort. Pass på at ryggsekken sitter trygt på ryggen, med vekten støttet av midjestroppen, og uten overflødig bevegelse når du beveger deg (fig. F5).
6. Sett eventuell ekstra lengde av stroppen rundt midjen inn i strikken på begge sider (fig. F6).
7. For å løsne sekken fra ryggen, trykk bare på midje- og brystspennene for å frigjøre dem og senke viften (fig. F7).

F1-1	Skulderstropp	F2-1	Brystspenne
F3-1	Midjespenne	F6-1	Elastisk
F6-2	Ekstra lengde på stropp		

For å justere kontrollhåndtaket

1. Slipp hurtigtutløserpakken for å flytte kontrollhåndtaket forover eller bakover etter behov (fig. G1 og G2) og koble deretter inn hurtigtutløserpakken for å feste kontrollhåndtaket på plass.
2. Du kan også rotere håndtaket etter behov for komfort (fig. G3).

G1-1	Kontrollhåndtak	G1-2	Hurtigtutløserhendel
------	-----------------	------	----------------------

For å justere lengden på kontrollhåndtaksrøret (fig. H1, H2)

1. Slipp hurtigtutløserpakken.
2. Flytt blåserøret til en komfortabel betjeningsposisjon innenfor justeringssonen (fig. H1).
3. Aktiver hurtigtutløserpakken for å feste vifterøret på plass (fig. H2).

H1-1	Blåserør	H1-2	Hurtigtutløserhendel
H2-1	Justeringssone		

STARTE/STOPPE BLÅSEREN

MERK: Det kan hende at viften ikke starter ordentlig hvis batteripakken eller viftetemperaturen er -15°C eller lavere. I dette tilfellet, fjern batteripakken fra viften, la batteripakken og viften varmes opp innendørs i 10 minutter eller lenger. Sett inn batteripakken på nytt og prøv igjen.

Lufthastighetsutløser (fig. I1, I2)

- Trykk på lufthastighetsutløseren for å slå på viften, så vil LCD-skjermen vise drivstoffmåleren, batteriikonet og lufthastighetsindikatoren.

MERK: 1 LED på drivstoffmåleren på LCD-skjermen blinker når batteriladingen er lav.

- Blåsehastigheten til løvblåseren kontrolleres av den regulerbare utløseren for lufthastighet. Jo mer du trykker på utløseren, desto høyere blåsehastighet får du. Mindre trykk på utløseren resulterer i lavere blåsehastighet. Juster hastigheten for å passe oppgaven. Den tilsvarende lufthastighetsindikatoren vises på LCD-skjermen.
- Slipp lufthastighetsutløseren for å slå av viften. LCD-skjermen vil slå seg av innen en viss tid etter at utløseren slippes.

Turbo-modus

Mens lufthastighetsutløseren er trykket inn og holdt, trykk på turboknappen for å øke luftstrømmen til maksimal hastighet (fig. I1). Både turboindikatoren og vifteikonet vil lyse på LCD-skjermen (fig. I3).

MERK: Viften går tilbake til forrige hastighet når turboknappen slippes.

Speed Lock-modus

Hastighetslåsen kan brukes til å betjene viften uten å trykke kontinuerlig på lufthastighetsutløseren.

- Trykk inn lufthastighetsutløseren til du når ønsket hastighet (fig. I1).
- Trykk på hastighetslåsknappen. Hastighetslåseikonet vil lyse på LCD-skjermen (fig. I4).
- Slipp deretter lufthastighetsutløseren, viften vil fortsette å gå med "ønsket" hastighet.
MERK: Ved å trykke på turboknappen i hastighetslåsemodus kan lufthastigheten låses på maksimalt nivå. Viften vil gjenoppta forrige hastighet når du trykker på turboknappen en gang til.
- For å frigjøre hastighetslåsen, trykk på hastighetslåsknappen igjen. Hastighetslåseikonet forsvinner fra LCD-skjermen og viften slås av.

I1-1	Turbo-knapp	I1-2	Knapp for hastighetslås
I1-3	Lufthastighetsutløser	I2-1	Drivstoffmåler
I2-2	Lufthastighetsindikator	I2-3	Batteriikon

I3-1	Fan-ikon	I3-2	Turbo indikator
I4-1	Ikon for hastighetslås		

KOMMUNIKASJONSTEKNOLOGI

For informasjon om hele utvalget vårt av tilkoblede produkter og tjenester, inkludert tilkoblingsinstruksjoner, kan du skanne QR-koden nedenfor eller besøke www.egopowerplus.eu/connect.



RÅD OG TIPS OM BRUKEN AV BLÅSEREN

- For å unngå å spre rusk utover, blåser du rundt ytterkantene av ruskauger. Unngå å blåse rett inn i midten av en haug.
- For å redusere lydnivået må antall utstyrsdeler som brukes, til enhver tid begrenses.
- Bruk raker og feiekoster for å løse rusk før du blåser. I støvete omgivelser skal overflater fuktet lett hvis det er vann tilgjengelig.
- Se opp for barn, dyr, åpne vinduer eller nyvaskede biler, og blås rusk unna i en trygg retning.
- Etter å ha brukt blåser eller annet utstyr, må du rydde opp! Avhend avfall på riktig måte.

VEDLIKEHOLD

⚠ ADVARSEL: Når verktøyet trenger service, må bare identiske reservedeler benyttes. Bruk av andre deler kan skape fare eller forårsake produktskade. For å sikre trygg og pålitelig bruk må alle reparasjoner utføres av en kvalifisert fagperson.

⚠ ADVARSEL: For å unngå alvorlige personskader skal batteripakken alltid tas ut av produktet når du utfører rengjøring eller vedlikehold.

GENERELT VEDLIKEHOLD

Unngå bruk av løsemidler når plastdeler skal rengjøres. De fleste plasttyper kan ta skade av ulike typer løsemidler som er i salg, og kan dermed bli ødelagt. Bruk rene kluter til å fjerne smuss, støv, olje, fett osv.

NO

⚠ ADVARSEL: Ikke på noe tidspunkt skal bremsevæske, bensin, petroleum-baserte produkter, penetrerende oljer, osv. komme i kontakt med plastdeler. Kjemikalier kan skade, svekke eller ødelegge plast som kan føre til alvorlig personskade.

⚠ ADVARSEL: For å redusere risikoen for brann, personskade og produktskade på grunn av kortslutning, må du aldri senke maskinen, batteripakken eller laderen i væske eller la væske strømme inn i dem. Etsende eller ledende væsker, som sjøvann, visse industrielle kjemikalier, og blekemiddel eller blekemiddelholdige produkter osv., kan forårsake kortslutning.

OPPBEVARING

- Fjern batteripakken(e) fra viften.
- Rengjør alle fremmedlegemer fra luftinntakene til viften.
- Juster vifterørets oppbevaringsknott med det rørhengende sporet og hekt vifterøret på batteriporthuset (fig. J1 og J2).
- Oppbevares på et innelukket sted som er utilgjengelig for barn. Hold produktet på avstand fra etsende midler som hagekjemikalier og veisalt.

NO

J1-1	Oppbevaringsknott blåserør	J1-2	Spor for røroppheng
------	-------------------------------	------	------------------------

Beskytter miljøet



Elektrisk utstyr, brukte batterier og batteriladere må ikke kastes i husholdningsavfallet! Ta med dette produktet til autorisert gjenvinning, og gjør det tilgjengelig for separat innsamling. Elektriske verktøy må returneres til et miljøvennlig gjenvinningsanlegg.

FEILSØKING

PROBLEM	ÅRSAKEN	LØSNING
Blåseren virker ikke.	<ul style="list-style-type: none"> Batteripakken er ikke festet til blåseren. 	<ul style="list-style-type: none"> Fest batteripakken til viften.
	<ul style="list-style-type: none"> Ingen elektrisk kontakt mellom blåseren og batteriet. 	<ul style="list-style-type: none"> Ta ut batteripakken, sjekk kontaktene og sett inn batteripakken på nytt.
	<ul style="list-style-type: none"> Batteripakkens ladning er oppbrukt. 	<ul style="list-style-type: none"> Lad batteripakken.
	<ul style="list-style-type: none"> Batteripakken eller blåseren er for varm. 	<ul style="list-style-type: none"> Avkjøl batteripakken og viften til temperaturen faller under 67°C.
	<ul style="list-style-type: none"> Skadet lufthastighetsutløser. 	<ul style="list-style-type: none"> Kontakt EGO kundeservice for reparasjon.
	<ul style="list-style-type: none"> Batteripakken eller blåseren er for kald. 	<ul style="list-style-type: none"> Ta ut batteripakken, la batteripakken og viften varmes opp innendørs. Det anbefales å lade batteripakken helt og starte viften på lav hastighet uten å aktivere Turbo-modus.
Hastighetslåsmodus kan ikke slås på eller av.	<ul style="list-style-type: none"> Skadet hastighetslåsknapp. 	<ul style="list-style-type: none"> Kontakt EGO kundeservice for reparasjon.
Lufthastigheten er merkbart redusert.	<ul style="list-style-type: none"> Batteriladingen er lav. 	<ul style="list-style-type: none"> Lad batteripakken.
	<ul style="list-style-type: none"> Overdreven slitasje på motorvifte. 	<ul style="list-style-type: none"> Kontakt EGO-service for reparasjon.
	<ul style="list-style-type: none"> Luftinntaket er blokkert av rusk. 	<ul style="list-style-type: none"> Fjern batteripakken, og fjern deretter rusk.
LCD-skjermen fungerer ikke som den skal.	<ul style="list-style-type: none"> LCD-skjerm eller ledningsforbindelse er skadet. 	<ul style="list-style-type: none"> Kontakt EGO-service for reparasjon.
1 LED på drivstoffmåleren på LCD-skjermen blinker.	<ul style="list-style-type: none"> Batteriladingen er lav. 	<ul style="list-style-type: none"> Lad batteripakken.

NO

GARANTI

EGO GARANTIPOLITIK

Besøk nettstedet egopowerplus.eu for fullstendige vilkår og betingelser for EGO-garantipolicyen.

ПРОЧИТАЙТЕ ВСЕ ИНСТРУКЦИИ!



ПРОЧИТАЙТЕ РУКОВОДСТВО ПОЛЬЗОВАТЕЛЯ

⚠ ПРЕДУПРЕЖДЕНИЕ. Для обеспечения безопасности и надежности устройства его ремонт должен выполнять квалифицированный специалист.

СИМВОЛЫ БЕЗОПАСНОСТИ

Символы безопасности предназначены для привлечения внимания к возможным рискам. Символы безопасности, а также пояснения к ним, требуют особого внимания и понимания. Предупреждения по технике безопасности сами по себе не устраняют опасность. Инструкции и предупреждения не заменяют соответствующие меры по предотвращению несчастных случаев.

⚠ ПРЕДУПРЕЖДЕНИЕ. Перед использованием устройства внимательно прочитайте все инструкции в данном руководстве пользователя и ознакомьтесь с предупреждающими символами безопасности, такими как «ОПАСНОСТЬ», «ПРЕДУПРЕЖДЕНИЕ» и «ВНИМАНИЕ». Несоблюдение всех приведенных ниже инструкций может привести к поражению электрическим током, возникновению пожара и (или) получению серьезных травм.

RU

УСЛОВНЫЕ ОБОЗНАЧЕНИЯ

⚠ ПРЕДУПРЕЖДАЮЩИЙ СИМВОЛ. Означает ОПАСНОСТЬ, ПРЕДУПРЕЖДЕНИЕ и ВНИМАНИЕ или может использоваться с другими символами или изображениями.

ИНСТРУКЦИЯ ПО ТЕХНИКЕ БЕЗОПАСНОСТИ

Далее приведено изображение и описание символов безопасности, которые могут присутствовать на данном устройстве. Перед сборкой или использованием внимательно прочитайте все инструкции, приведенные на устройстве, и соблюдайте их.



Предупреждение об опасности



Чтобы уменьшить риск получения травм, перед использованием устройства необходимо прочитать руководство по эксплуатации.



При использовании устройства всегда надевайте средства защиты органов слуха.



При работе с данным устройством всегда используйте защиту для глаз или защитные очки с боковыми щитками и полнопрофильную защитную маску.



Следите за тем, чтобы посторонние лица находились на расстоянии не менее 15 м.



Соответствует основным требованиям стандартов безопасности Европейских директив.



Данное изделие соответствует действующему законодательству Великобритании.



Неисправные электрические устройства нельзя выбрасывать вместе с бытовым мусором. Сдавайте их в авторизованные пункты сбора и утилизации.



Постоянный ток



Символ Bluetooth®

IPX5 Защита от струй воды

V Напряжение

°C Градус Цельсия

N Ньютон



Гарантированный уровень звуковой мощности. Уровень шума в окружающей среде в соответствии с директивой ЕС.

kg Килограмм

m³/h Кубический метр в час

m/s Метр в секунду

ТЕХНИЧЕСКИЕ ХАРАКТЕРИСТИКИ

Напряжение	56 В	
Макс. объем воздуха	1360 м ³ /ч	
Макс. скорость воздушного потока	85 м/с	
Макс. сила выдувания	26 Н	
Приблизительное время работы	С двумя аккумуляторами 6,0 Ач	24 мин. (турборежим)
		32 мин. (высокая скорость)
		120 мин. (низкая скорость)
	С двумя аккумуляторами 7,5 Ач	30 мин. (турборежим)
		40 мин. (высокая скорость)
		150 мин. (низкая скорость)
	С двумя аккумуляторами 10 Ач	40 мин. (турборежим)
		52 мин. (высокая скорость)
	С двумя аккумуляторами 12 Ач	200 мин. (низкая скорость)
		48 мин. (турборежим)
		63 мин. (высокая скорость)
	240 мин. (низкая скорость)	
Диапазон рабочих частот Bluetooth	2400 - 2438 МГц	
Максимальная мощность передачи данных Bluetooth	5 дБм	
Масса (без аккумулятора)	7,7 кг	
Рекомендуемая рабочая температура	От -15 до 40 °C	
Рекомендуемая температура хранения	От -20 до 70 °C	
Измеренный уровень звуковой мощности L _{WA}	97 dB(A) K=1,1 dB(A)	
Уровень звукового давления на уши оператора L _{PA}	82 dB(A) K=3 dB(A)	

Гарантированный уровень звуковой мощности L _{WA} (измерен в соответствии с 2000/14/EC)	98 дБ (А)
Вибрация a _h	0,35 m/s ² K=1,5 m/s ²

- Указанное общее значение вибрации было определено с помощью стандартного теста и может быть использовано для сравнения разных инструментов;
- Указанное общее значение вибрации также может использоваться для предварительной оценки уровня воздействия.

ПРИМЕЧАНИЕ. Реальное вибрационное воздействие электроинструмента может отличаться от указанного в зависимости от способа использования; В целях безопасности оператор должен надевать перчатки и средства защиты органов слуха во время использования устройства.

RU

КОМПЛЕКТ ПОСТАВКИ (РИС. А1)

ОПИСАНИЕ

ЧАСТИ ВОЗДУХОДУВКИ (Рис. А1)

1. Регулируемая ременная обвязка
2. Фиксатор для крепления трубы воздуходувки
3. Задняя панель
4. Рукоятка управления
5. Коническая насадка
6. Труба воздуходувки
7. Трубка с рукояткой управления
8. Сильфон
9. Воздухозаборное отверстие
10. Вспомогательная рукоятка
11. Электрические контакты

12. Фиксатор
13. Кнопки фиксации аккумулятора
14. Рукоятка
15. Кнопка блокировки скорости
16. ЖК-экран
17. Кнопка турборежима
18. Курок скорости подачи воздуха
19. Паз для подвешивания трубы
20. Быстроразъемные рычаги
21. Индикатор Bluetooth
22. Указатель уровня заряда
23. Значок вентилятора
24. Индикатор TURBO
25. Индикатор скорости воздуха
26. Значок блокировки скорости
27. Символ аккумулятора

RU

СБОРКА

⚠ ПРЕДУПРЕЖДЕНИЕ. Если какие-либо части повреждены или отсутствуют, не используйте устройство, пока они не будут восстановлены. Использование устройства с поврежденными или отсутствующими частями может привести к серьезным травмам.

⚠ ПРЕДУПРЕЖДЕНИЕ. Не пытайтесь изменить конструкцию воздуходувки или использовать нерекомендованные для нее дополнительные приспособления. Подобное изменение считается ненадлежащим использованием и способствует возникновению опасной ситуации, которая приведет к получению серьезной травмы.

⚠ ПРЕДУПРЕЖДЕНИЕ. Чтобы предотвратить случайное включение устройства и получение серьезной травмы, во время сборки извлекайте аккумулятор.

УСТАНОВКА ТРУБ ВОЗДУХОДУВКИ

Подключение трубки с рукояткой управления к сильфону

1. Вставьте верхний конец трубки с рукояткой управления в сильфон до упора (Рис. В1).
2. Надежно затяните винт в зажимном хомуте, прикрепленном к сильфону (Рис. В2).

В1-1	Сильфон	В1-2	Зажимной хомут
В1-3	Верхний конец	В1-4	Трубка с рукояткой управления
В2-1	Винт		

Подключение трубки воздуходувки к трубке с рукояткой управления

1. Ослабьте и снимите быстроразъемный рычаг и барашковую гайку с зажима на трубе воздуходувки (Рис. С1).
2. Совместите паз в трубе воздуходувки с ребром на трубке с рукояткой управления и надвиньте трубу воздуходувки на трубку с рукояткой управления до упора (Рис. С2).
3. Вставьте штифт быстроразъемного рычага и закройте рычаг на зажиме трубы (Рис. С3).
4. Затяните барашковую гайку, чтобы зафиксировать зажим трубы (Рис. С4).

С1-1	Труба воздуходувки	С1-2	Зажим трубы
С1-3	Быстроразъемный рычаг	С1-4	Барашковая гайка
С2-1	Труба воздуходувки	С2-2	Трубка с рукояткой управления
С2-3	Паз	С2-4	Выступ
С3-1	Штифт		

Подключение конической насадки к трубе воздуходувки

1. Совместите паз в насадке с фиксатором на трубе. Наденьте насадку на трубу так, чтобы она надежно защелкнулась (Рис. D1).
2. **Чтобы снять насадку,** нажмите и удерживайте кнопку извлечения насадки, чтобы открыть фиксатор, затем снимите насадку с трубы воздуходувки (Рис. D2).

D1-1	Кнопка фиксации насадки	D1-2	Фиксатор
------	-------------------------	------	----------

ИСПОЛЬЗОВАНИЕ

⚠ ПРЕДУПРЕЖДЕНИЕ. Не допускайте небрежности и беспечности при работе с устройством. Помните, что потери бдительности на долю секунды достаточно для получения серьезной травмы.

⚠ ПРЕДУПРЕЖДЕНИЕ. Не используйте насадки или дополнительные приспособления, не рекомендованные производителем устройства. Использование нерекондованных насадок и дополнительных приспособлений может привести к серьезным травмам.

⚠ ПРЕДУПРЕЖДЕНИЕ. Перед сборкой, регулировкой, очисткой, а также когда устройство не используется, всегда извлекайте из него аккумуляторы. Извлечение аккумуляторов поможет предотвратить непредвиденный запуск устройства, который может привести к серьезным травмам.

Перед каждым использованием полностью проверяйте устройство на наличие поврежденных, отсутствующих или плохо закрепленных частей, таких как винты, гайки, болты, заглушки и т. д. Надежно закрепите все фиксаторы и заглушки и не пользуйтесь устройством до тех пор, пока не будут заменены поврежденные или отсутствующие части.

ПРИМЕНЕНИЕ

Данное устройство можно использовать в следующих целях.

- Для уборки листьев и прочего дворового мусора с газонов и мульчированных поверхностей.
- Для очистки твердых поверхностей, таких как подъездные пути и дорожки.
- Для очистки поверхностей и подъездных путей от листьев и хвои.

ПРИМЕЧАНИЕ. Инструмент должен использоваться только по назначению. Любое другое использование, кроме упомянутого, считается ненадлежащим.

УСТАНОВКА И СНЯТИЕ АККУМУЛЯТОРА

Используйте только аккумуляторы и зарядные устройства EGO, указанные на Рис. A2.

Подробнее см. в соответствующих руководствах по эксплуатации аккумулятора и зарядного устройства.

Перед первым использованием полностью зарядите аккумулятор.

ПРИМЕЧАНИЕ. Для достижения наилучшей производительности рекомендуется использовать аккумулятор EGO 56 В BA3360T (6,0 Ач) или другой более мощный аккумулятор EGO 56 В.

Воздуходувка имеет два активных отсека для аккумуляторов, расположенных на левой и правой стороне корпуса.

ПРИМЕЧАНИЕ. Воздуходувка может работать от одного или двух аккумуляторов. Использование двух аккумуляторов обеспечивает более длительное время работы и эффективное потребление энергии благодаря технологии PEAK POWER™.

Когда аккумуляторы вставлены в соответствующие отсеки, обозначенные цифрами 1 и 2 на задней панели, то при включении воздуходувки на ЖК-дисплее светится значок соответствующего аккумулятора (Рис. E1).

Установка (Рис. E2)

Совместите ребра аккумулятора с монтажными пазами и вставьте аккумулятор до щелчка. Установите второй аккумулятор.

Снятие

Нажмите кнопку фиксации аккумулятора и извлеките аккумулятор.

⚠ ПРЕДУПРЕЖДЕНИЕ. Всегда следите за положением своих ног, а за также за местонахождением детей и животных, когда нажимаете на кнопку фиксации аккумулятора. Падение аккумулятора может привести к серьезным травмам. НИКОГДА не извлекайте аккумулятор, если находитесь на возвышенности.

RU

E1-1	Номера отсеков для аккумуляторов	E1-2	ЖК-экран
E1-3	Символ аккумулятора	E2-1	Ребра аккумулятора
E2-2	Монтажный паз	E2-3	Кнопка фиксации аккумулятора

РАЗМЕЩЕНИЕ РАНЦЕВОЙ ВОЗДУХОДУВКИ

⚠ ПРЕДУПРЕЖДЕНИЕ. Одевайтесь надлежащим образом, чтобы снизить риск получения травм при использовании данного инструмента. Не надевайте свободную одежду и украшения. Используйте средства защиты органов зрения и слуха. Надевайте плотные длинные брюки, прочную обувь и перчатки. Не надевайте шорты, сандалии и не работайте босиком.

Перед использованием ранцевой воздуходувки убедитесь, что оператор носит защитные очки и соответствующую одежду и может сохранять устойчивое и сбалансированное положение.

Регулировка ременной обвязки

1. Проденьте руки в лямки ранца, чтобы повесить воздуходувку на спину.
2. Отрегулируйте обе лямки таким образом, чтобы их положение было удобным (Рис. F1). Убедитесь, что локти двигаются свободно.
3. Защелкните пряжку на груди и при необходимости отрегулируйте длину нагрудного ремня (Рис. F2).
4. Застегните поясную пряжку и отрегулируйте длину поясного ремня таким образом, чтобы ранец надежно опирался на бедра (Рис. F3 и F4).

ПРИМЕЧАНИЕ. Ранец не должен находиться слишком высоко на спине. Он должен располагаться ближе к бедрам, чем к плечам.

⚠ ПРЕДУПРЕЖДЕНИЕ. При возникновении чрезвычайной ситуации немедленно отстегните нагрудную и поясную пряжки, чтобы снять лямки ранца с каждой стороны. Этот способ позволяет быстро освободиться от ранца.

RU

5. Отрегулируйте плечевые ремни таким образом, чтобы ранец сидел надежно и удобно. Убедитесь, что ранец надежно закреплен на спине, а основной вес перенесен на талию. Кроме того, ранец не должен сильно перемещаться во время движения (Рис. F5).
6. Слишком длинные концы ремней вставьте в эластичные крепления с обеих сторон талии (Рис. F6).
7. Чтобы снять ранец со спины, просто откройте нагрудную и поясную пряжки и снимите ранец (Рис. F7).

F1-1	Наплечный ремень	F2-1	Нагрудная пряжка
F3-1	Поясная пряжка	F6-1	Эластичное крепление
F6-2	Длинный конец ремня		

Регулировка рукоятки управления

1. Отпустите быстроразъемный рычаг для перемещения рукоятки управления вперед или назад (Рис. G1 и G2), а затем зажмите быстроразъемный рычаг, чтобы зафиксировать рукоятку управления на месте.
2. Рукоятку также можно вращать при необходимости (Рис. G3).

G1-1	Рукоятка управления	G1-2	Быстроразъемный рычаг
------	---------------------	------	-----------------------

Регулировка длины трубки с рукояткой управления (Рис. H1, H2)

1. Отпустите быстроразъемный рычаг.
2. Переместите трубу воздуходувки в удобное рабочее положение в пределах зоны регулировки (Рис. H1).
3. Зажмите быстроразъемный рычаг, чтобы зафиксировать трубу воздуходувки на месте (Рис. H2).

H1-1	Труба воздуходувки	H1-2	Быстроразъемный рычаг
H2-1	Зона регулировки		

ЗАПУСК И ОСТАНОВКА ВОЗДУХОДУВКИ

ПРИМЕЧАНИЕ. Воздуходувка может не запуститься должным образом, если температура аккумулятора или воздуходувки составляет -15°C или ниже. В этом случае извлеките аккумулятор из воздуходувки и дайте аккумулятору и воздуходувке прогреться в помещении не менее 10 минут. Установите аккумулятор на место и повторите попытку.

Курок скорости подачи воздуха (Рис. I1, I2)

- Нажмите на курок, чтобы включить воздуходувку. На ЖК-экране будут отображаться указатель уровня заряда, значок аккумулятора и индикатор скорости воздуха.

ПРИМЕЧАНИЕ. При низком уровне заряда аккумулятора на ЖК-дисплее мигает 1 светодиодный индикатор уровня заряда.

- Скорость воздушного потока воздуходувки контролируется с помощью курка скорости подачи воздуха. Чем сильнее нажат курок, тем выше скорость выдувания; чем слабее нажат курок, тем ниже скорость выдувания. Отрегулируйте скорость в соответствии с выполняемой задачей. На ЖК-экране будет отображаться соответствующий индикатор скорости воздуха.
- Отпустите курок, чтобы выключить воздуходувку. ЖК-экран выключится через определенный промежуток времени после отпускания курка.

Турборежим

Нажмите и удерживайте курок скорости подачи воздуха, затем нажмите кнопку турборежима, чтобы увеличить скорость потока воздуха до максимального уровня (Рис. I1). На ЖК-экране будет светиться индикатор TURBO и значок вентилятора (Рис. I3).

ПРИМЕЧАНИЕ. Воздуходувка вернется к предыдущей скорости при отпускании кнопки турборежима.

Режим блокировки скорости

Блокировка скорости позволяет управлять воздуходувкой без постоянного нажатия на курок скорости подачи воздуха.

1. Нажимайте на курок скорости подачи воздуха, пока не будет достигнута нужная скорость (Рис. 11).
2. Нажмите кнопку блокировки скорости. На ЖК-экране будет светиться значок блокировки скорости (Рис. 14).
3. Отпустите курок скорости подачи воздуха, и воздуходувка будет работать на выбранной скорости.

ПРИМЕЧАНИЕ. Нажатие кнопки турборежима в режиме блокировки скорости позволяет зафиксировать скорость обдува на максимальном уровне. При повторном нажатии кнопки турборежима воздуходувка вернется к прежней скорости.

4. Чтобы снять блокировку скорости, еще раз нажмите кнопку блокировки скорости. Значок блокировки скорости исчезнет с ЖК-экрана, и воздуходувка выключится.

11-1	Кнопка турборежима	11-2	Кнопка блокировки скорости
11-3	Курок скорости подачи воздуха	12-1	Указатель уровня заряда
12-2	Индикатор скорости воздуха	12-3	Символ аккумулятора
13-1	Значок вентилятора	13-2	Индикатор TURBO
14-1	Значок блокировки скорости		

КОММУНИКАЦИОННЫЕ ТЕХНОЛОГИИ

Для получения информации и полного списка наших продуктов и услуг, включая инструкции по подключению, отсканируйте QR-код ниже или посетите сайт www.egopowerplus.eu/connect.



СОВЕТЫ ПО ИСПОЛЬЗОВАНИЮ ВОЗДУХОДУВКИ

- Чтобы мусор не разлетелся, направляйте поток воздуха от наружных краев кучи мусора. Никогда не направляйте поток воздуха непосредственно в центр кучи.
- Чтобы снизить уровень шума, ограничьте число единиц оборудования, используемых одновременно.
- Используйте грабли и метлу, чтобы убрать мусор перед использованием воздуходувки. В пыльных условиях по возможности слегка увлажните поверхность.
- Следите за тем, чтобы сдуваемый мусор не попадал на детей, домашних животных, в открытые окна и на свежевымытые автомобили.
- После использования воздуходувок и другого оборудования наведите порядок! Утилизируйте мусор надлежащим образом.

RU

ОБСЛУЖИВАНИЕ

⚠ ПРЕДУПРЕЖДЕНИЕ. При ремонте используйте только идентичные запасные части. Использование других запасных частей может привести к возникновению опасной ситуации или повреждению устройства. Для обеспечения безопасности и надежности устройства его ремонт должен выполнять квалифицированный специалист.

⚠ ПРЕДУПРЕЖДЕНИЕ. Во избежание травм всегда извлекайте аккумулятор из устройства перед чисткой или обслуживанием.

ОБЩЕЕ ОБСЛУЖИВАНИЕ

Не используйте растворители для очистки пластиковых частей. Большинство пластиковых частей чувствительны к различным бытовым растворителям и могут быть повреждены. Для очистки от грязи, пыли, масла, смазки и т. п. используйте чистую ткань.

⚠ ПРЕДУПРЕЖДЕНИЕ. Не допускайте попадания на пластиковые части тормозной жидкости, бензина, продуктов на нефтяной основе, пропитывающих масел и т. д. Химические вещества могут повредить, ослабить или разрушить пластик, что приведет к получению серьезных травм.

⚠ ПРЕДУПРЕЖДЕНИЕ. Для снижения риска пожара, получения травм и повреждения устройства от короткого замыкания никогда не погружайте инструмент, аккумулятор и зарядное устройство в

жидкость и не допускайте попадания жидкости внутрь. Коррозионные и токопроводящие жидкости, такие как морская вода, некоторые промышленные химикаты, а также отбеливатели и содержащие их продукты могут стать причиной короткого замыкания.

ХРАНЕНИЕ

- Извлеките аккумулятор(ы) из воздуходувки.
- Уберите все посторонние материалы из воздухозаборного отверстия воздуходувки.
- Совместите фиксатор для крепления трубы воздуходувки с пазом для подвешивания трубы и повесьте трубу воздуходувки на корпус батарейного отсека (Рис. J1 и J2).
- Храните в закрытом, недоступном для детей месте. Храните вдали от источников коррозии, таких как садовые удобрения и техническая соль.

RU

J1-1	Фиксатор для крепления трубы воздуходувки	J1-2	Паз для подвешивания трубы
------	---	------	----------------------------

Защита окружающей среды



Не выбрасывайте электроприборы, зарядные устройства и аккумуляторные батареи вместе с бытовыми отходами! Отправьте данное изделие на переработку в специализированное предприятие или сдайте его для раздельного сбора. Электроинструменты должны быть возвращены на перерабатывающее предприятие, не наносящее ущерба окружающей среде.

УСТРАНЕНИЕ НЕПОЛАДОК

ПРОБЛЕМА	ПРИЧИНА	РЕШЕНИЕ
Воздуходувка не работает.	<ul style="list-style-type: none"> ■ Аккумулятор не установлен в воздуходувку. 	<ul style="list-style-type: none"> ■ Установите аккумулятор в воздуходувку.
	<ul style="list-style-type: none"> ■ Нет электрического контакта между воздуходувкой и аккумулятором. 	<ul style="list-style-type: none"> ■ Извлеките аккумулятор, проверьте контакты и установите его снова.
	<ul style="list-style-type: none"> ■ Аккумулятор разряжен. 	<ul style="list-style-type: none"> ■ Зарядите аккумулятор.
	<ul style="list-style-type: none"> ■ Аккумулятор или воздуходувка перегрелись. 	<ul style="list-style-type: none"> ■ Дайте аккумулятору и воздуходувке остыть, пока температура не упадет ниже 67 °С.
	<ul style="list-style-type: none"> ■ Курок скорости подачи воздуха неисправен. 	<ul style="list-style-type: none"> ■ Обратитесь в службу поддержки клиентов EGO для ремонта.
	<ul style="list-style-type: none"> ■ Аккумулятор или воздуходувка слишком холодные. 	<ul style="list-style-type: none"> ■ Извлеките аккумулятор и дайте аккумулятору и воздуходувке прогреться в помещении. Рекомендуется полностью зарядить аккумулятор и запустить воздуходувку на низкой скорости без активации турборежима.
Режим блокировки скорости нельзя включить или выключить.	<ul style="list-style-type: none"> ■ Повреждена кнопка блокировки скорости. 	<ul style="list-style-type: none"> ■ Обратитесь в службу поддержки клиентов EGO для ремонта.
Скорость воздуха заметно снизилась.	<ul style="list-style-type: none"> ■ Низкий уровень заряда аккумулятора. 	<ul style="list-style-type: none"> ■ Зарядите аккумулятор.
	<ul style="list-style-type: none"> ■ Чрезмерный износ вентилятора двигателя. 	<ul style="list-style-type: none"> ■ Обратитесь в сервисный центр EGO для ремонта.
	<ul style="list-style-type: none"> ■ Воздухозабортное отверстие засорилось. 	<ul style="list-style-type: none"> ■ Извлеките аккумулятор и удалите засор.
ЖК-экран не работает должным образом.	<ul style="list-style-type: none"> ■ Повреждение ЖК-экрана или проводного соединения. 	<ul style="list-style-type: none"> ■ Обратитесь в сервисный центр EGO для ремонта.
На ЖК-дисплее мигает 1 светодиод указателя уровня заряда.	<ul style="list-style-type: none"> ■ Низкий уровень заряда аккумулятора. 	<ul style="list-style-type: none"> ■ Зарядите аккумулятор.

RU

ГАРАНТИЯ

ГАРАНТИЙНАЯ ПОЛИТИКА EGO

Посетите веб-сайт egopowerplus.eu, чтобы ознакомиться со всеми условиями и сроками гарантийной политики EGO.

PRZECZYTAJ WSZYSTKIE INSTRUKCJE!



PRZECZYTAJ INSTRUKCJĘ OBSŁUGI

⚠ OSTRZEŻENIE: Aby zagwarantować bezpieczeństwo i niezawodność, wszystkie naprawy powinny być wykonywane przez wykwalifikowanych techników serwisu.

SYMBOLE BEZPIECZEŃSTWA

Celem symboli bezpieczeństwa jest zwrócenie uwagi użytkownika na możliwe zagrożenia. Symbole bezpieczeństwa i objaśnienia do nich zasługują na to, aby je uważnie przestudiować i zrozumieć. Symbole bezpieczeństwa nie eliminują same z siebie jakichkolwiek zagrożeń. Podawane w nich instrukcje i ostrzeżenia nie zastępują odpowiednich środków zapobiegania wypadkom.

⚠ OSTRZEŻENIE: Przed użyciem maszyny należy koniecznie przeczytać ze zrozumieniem wszystkie instrukcje dotyczące bezpieczeństwa podane w podręczniku użytkownika, łącznie z wszystkimi ostrzeżeniami oznaczonymi symbolami ostrzegawczymi takimi jak „**NIEBEZPIECZEŃSTWO**”, „**OSTRZEŻENIE**” i „**OSTROŻNIE**”. Niestosowanie się do wszystkich podanych niżej instrukcji może doprowadzić do porażenia prądem, pożaru i/lub poważnych urazów ciała.

PL

ZNACZENIE SYMBOLI

⚠ SYMBOL OSTRZEGAWCZY: Oznacza **NIEBEZPIECZEŃSTWO**, **OSTRZEŻENIE** lub **OSTROŻNIE**, może być używany razem z innymi symbolami lub piktogramami.

INSTRUKCJE DOTYCZĄCE BEZPIECZEŃSTWA

Na tej stronie pokazano i opisano symbole bezpieczeństwa, które mogą występować na produkcie. Przed podjęciem próby złożenia i użycia maszyny należy przeczytać i zrozumieć wszystkie instrukcje dotyczące maszyny oraz zastosować się do nich.



Ostrzeżenie dotyczące bezpieczeństwa



Podczas pracy urządzeniem należy zawsze nosić ochronniki słuchu.



Osoby postronne muszą stać w odległości co najmniej 15 m.



Produkt jest zgodny z dyrektywami obowiązującymi w Wielkiej Brytanii.



Prąd stały

IPX5

Zabezpieczenie przed strugami wody



Aby zmniejszyć ryzyko urazów, przed rozpoczęciem korzystania z produktu użytkownik musi przeczytać instrukcję.



Podczas używania produktu należy zawsze nosić gogle ochronne lub okulary ochronne z osłonami bocznymi, a także pełną osłonę na twarz.



Ten produkt jest zgodny z obowiązującymi dyrektywami WE.



Zużytych wyrobów elektrycznych nie należy wyrzucać razem ze zwykłymi odpadami domowymi. Należy je oddać do autoryzowanego punktu recyklingu.



Symbol Bluetooth®



Gwarantowany poziom mocy akustycznej. Emisja hałasu do środowiska zgodnie z dyrektywą Wspólnoty Europejskiej.

V Napięcie

°C Celsjusz

N Niuton

kg Kilogram

m³/h Metr sześcienny na godzinę

m/s Metr na sekundę

SPECYFIKACJA

Napięcie	56 V	
Maksymalny strumień powietrza	1360 m ³ /h	
Maksymalna prędkość powietrza	85 m/s	
Maksymalna siła nadmuchu	26 N	
Przybliżony czas działania	Z dwoma akumulatorami 6,0 Ah	24 min. (Turbo)
		32 min. (duża prędkość)
		120 min. (mała prędkość)
	Z dwoma akumulatorami 7,5 Ah	30 min. (Turbo)
		40 min. (duża prędkość)
		150 min. (mała prędkość)
	Z dwoma akumulatorami 10 Ah	40 min. (Turbo)
		52 min. (duża prędkość)
		200 min. (mała prędkość)
	Z dwoma akumulatorami 12 Ah	48 min. (Turbo)
		63 min. (duża prędkość)
		240 min. (mała prędkość)
Pasmo częstotliwości działania bezprzewodowego	2400 - 2438 MHz	
Moc maksymalnej transmisji bezprzewodowej	5 dBm	
Ciężar (bez akumulatora)	7,7 kg	
Zalecana temperatura użytkowania	-15°C - 40°C	
Zalecana temperatura przechowywania	-20°C - 70°C	
Zmierzony poziom mocy akustycznej L _{WA}	97 dB(A) K=1,1 dB(A)	
Poziom ciśnienia akustycznego na wysokości ucha operatora L _{PA}	82 dB(A) K=3 dB(A)	
Gwarantowany poziom mocy akustycznej L _{WA} (zmierzony zgodnie z dyrektywą 2000/14/WE)	98 dB(A)	
Drgania a _n	0,35 m/s ² K=1,5 m/s ²	

- Deklarowana całkowita wartość drgań została zmierzona zgodnie ze standardowymi metodami testowania i może służyć do porównywania różnych narzędzi;
- Deklarowana całkowita wartość drgań może również służyć do wstępnej oceny narażenia na drgań.

UWAGA: Emisja drgań podczas rzeczywistego stosowania elektronarzędzia może się różnić od deklarowanej wartości, w której narzędzie jest używane; Aby się zabezpieczyć, w rzeczywistych warunkach użytkowania użytkownik powinien nosić rękawice i nauszniki ochronne.

LISTA ELEMENTÓW W OPAKOWANIU (RYS. A1)

PL

OPIS

ZAPOZNANIE SIĘ Z DMUCHAWĄ (Rys. A1)

1. Regulowana uprząż
2. Zaczep na rurę do dmuchawy
3. Płyta plecaka
4. Uchwyt sterujący
5. Dysza stożkowa
6. Rura dmuchawy
7. Rura z uchwytem sterującym
8. Miech
9. Wlot powietrza
10. Uchwyt pomocniczy
11. Styki elektryczne
12. Zatrząsk
13. Przyciski odblokowujące akumulator
14. Rączka
15. Przycisk blokady prędkości
16. Wyświetlacz LCD
17. Przycisk turbo
18. Spust prędkości powietrza
19. Rowek do zawieszania rury
20. Dźwignia szybkiego zwalniania
21. Wskaźnik Bluetooth
22. Wskaźnik paliwa
23. Ikona wentylatora

24. Wskaźnik turbo
25. Wskaźnik prędkości powietrza
26. Ikona blokady prędkości
27. Ikona akumulatora

MONTAŻ

⚠ OSTRZEŻENIE: W przypadku braku lub uszkodzenia którejś z części nie należy uruchamiać urządzenia aż do momentu wymiany lub naprawy części. Używanie urządzenia z uszkodzonymi częściami lub gdy którejś z części brakuje może doprowadzić do poważnych urazów ciała.

⚠ OSTRZEŻENIE: Nie należy próbować przerabiać urządzenia lub tworzyć akcesoriów, które nie są zalecane do używania w dmuchawie. Wszelkie tego typu zmiany lub modyfikacje są niedozwolone i mogą prowadzić do niebezpiecznych sytuacji oraz poważnych urazów ciała.

⚠ OSTRZEŻENIE: Aby zapobiec przypadkowemu włączeniu, które mogłoby spowodować urazy ciała, na czas mocowania części z narzędzia należy zawsze wyjmować akumulatory.

PL

MONTAŻ RUR DMUCHAWY

Podłączenie rury z uchwytem sterującym do miecha

1. Włożyć do oporu do miecha górny koniec rury z uchwytem sterującym (Rys. B1).
2. Mocno dokręcić śrubę w kołnierzu zaciskowym załączonym na miechu (Rys. B2).

B1-1	Miech	B1-2	Kołnierz zaciskowy
B1-3	Górny koniec	B1-4	Rura z uchwytem sterującym
B2-1	Śruba		

Podłączenie rury dmuchawy do rury z uchwytem sterującym

1. Odkręcić i zdjąć dźwignię szybkiego zwalniania i nakrętkę motylkową z zespołu zacisku rury przymocowanego na rurze dmuchawy (Rys. C1).
2. Dopasować rowek w rurze dmuchawy do żebra na rurze z uchwytem sterującym i wsunąć do oporu rurę dmuchawy na rurę z uchwytem sterującym (Rys. C2).
3. Włożyć trzpień dźwigni szybkiego zwalniania i zamknąć dźwignię na zacisku rury (Rys. C3).
4. Dokręcić nakrętkę motylkową, aby zamocować zacisk rury (Rys. C4).

C1-1	Rura dmuchawy	C1-2	Zacisk rury
C1-3	Dźwignia szybkiego odblokowywania	C1-4	Nakrętka motylkowa
C2-1	Rura dmuchawy	C2-2	Rura z uchwytem sterującym
C2-3	Rowek	C2-4	Żeberko
C3-1	Sworzeń		

Podłączenie dyszy stożkowej do rury dmuchawy

1. Dopasować rowek w dyszy do zatrzasku na rurze. Nasunąć dyszę na rurę, tak aby bezpiecznie zatrzasknęła się na swoim miejscu (Rys. D1).
2. **Aby zdjąć dyszę,** należy nacisnąć i przytrzymać przycisk zwalniania dyszy, aby otworzyć zatrzask, a następnie pociągnąć za dyszę i zsunąć ją prosto z rury dmuchawy (Rys. D2).

D1-1	Przycisk zwalniania dyszy	D1-2	Zatrzask
------	---------------------------	------	----------

UŻYTKOWANIE

⚠ OSTRZEŻENIE: Nie wolno dopuścić do tego, aby znajomość narzędzia doprowadziła do nieuwagi. Należy pamiętać, że do spowodowania poważnych obrażeń wystarczy zaledwie chwila nieuwagi.

⚠ OSTRZEŻENIE: Nie należy używać końcówek lub akcesoriów innych niż zalecane przez producenta produktu. Używanie końcówek lub akcesoriów innych niż zalecane może doprowadzić do poważnych obrażeń.

⚠ OSTRZEŻENIE: Przed montażem części, regulacją i czyszczeniem oraz gdy produkt nie jest używany należy zawsze wyjąć z niego akumulatory. Wyjęcie akumulatorów zapobiega przypadkowemu włączeniu, które mogłoby spowodować ciężkie urazy ciała.

Przed każdym użyciem należy skontrolować cały produkt pod kątem uszkodzonych, brakujących lub obłuzowanych części takich jak śruby, wkręty, nakrętki, nasadki, itp. Wszystkie elementy połączeniowe i nasadki należy mocno dokręcić. Nie wolno używać produktu zanim wszystkie brakujące lub uszkodzone części nie zostaną wymienione.

ZASTOSOWANIE

Urządzenia można używać wyłącznie do celów podanych poniżej:

- Usuwanie liści i różnych odpadów z trawników i ściełki.
- Sprzątanie twardych powierzchni takich jak podjazdy i chodniki.

- Usuwanie z tarasów i podjazdów liści i igieł sosny.

UWAGA: Narzędzia należy używać tylko do celów zgodnych z przeznaczeniem. Wszelkie inne zastosowania uznaje się za niezgodne z przeznaczeniem.

ZAKŁADANIE/WYJMOWANIE AKUMULATORA

Do urządzenia należy używać wyłącznie ładowarek i akumulatorów marki EGO wymienionych na Rys. A2.

Więcej informacji znaleźć można w instrukcjach do odpowiednich akumulatorów i ładowarek.

Naladować przed pierwszym użyciem.

UWAGA: Aby uzyskać najlepszą wydajność, zalecamy korzystanie z akumulatora EGO 56 V BA3360T (6,0 Ah) lub innych akumulatorów EGO 56 V o wyższej pojemności Ah.

Dmuchała posiada dwie aktywne komory akumulatorowe po lewej i prawej stronie obudowy komory akumulatorów.

UWAGA: Dmuchała może działać na jednym lub dwóch akumulatorach. Użycie dwóch akumulatorów zapewni dłuższy czas pracy i efektywne pobieranie energii zarządzane z użyciem technologii PEAK POWER™.

Po włożeniu akumulatorów do odpowiednich portów akumulatorów oznaczonych cyframi 1 lub 2 na płycie plecaka i włączeniu dmuchawy, na ekranie LCD zaświeci się odpowiednia ikona akumulatora (Rys. E1).

Zakładanie (Rys. E2)

Dopasować żeberka akumulatora do szczelin mocujących i wsunąć akumulator do komory, aż da się słyszeć kliknięcie. Założyć drugi akumulator.

Wyjmowanie

Należy wcisnąć przycisk zwalniania akumulatora i wysunąć akumulator.

⚠ OSTRZEŻENIE: Gdy użytkownik naciska przycisk wyjmowania akumulatora, należy zawsze uważać na miejsce, w którym znajdują się stopy użytkownika oraz na to gdzie przebywają dzieci i zwierzęta. Upuszczenie akumulatora może doprowadzić do ciężkich urazów. NIGDY nie należy wyjmować akumulatora, gdy znajduje się on wysoko.

E1-1	Liczba portów akumulatora	E1-2	Wyświetlacz LCD
E1-3	Ikona akumulatora	E2-1	Żebro akumulatora
E2-2	Szczelina montażowa	E2-3	Przycisk odblokowujący akumulator

USTAWIANIE DMUCHAWY PLECAKOWEJ Z ODPOWIEDNIEJ POZYCJI

⚠ OSTRZEŻENIE: Aby ograniczyć ryzyko urazów, podczas pracy maszyną należy nosić odpowiednią odzież. Nie powinno się nosić luźnych ubrań ani biżuterii. Należy nosić środki ochrony oczu i ochronniki słuchu. Należy nosić ciężkie długie spodnie, solidne buty i rękawice. Nie należy nosić krótkich spodni i sandałów, nie należy też używać narzędzia na bosą.

Przed użyciem dmuchawy plecakowej należy upewnić się, że operator ma na sobie okulary ochronne i odpowiednią odzież oraz jest w stanie utrzymać równowagę.

Regulacja uprząży podtrzymującej

1. Przełożyć ręce przez paski plecaka, aby włożyć sobie dmuchawę na plecy.
2. Tymczasowo wyregulować obydwa paski naramienne w wygodnej pozycji (Rys. F1), upewnić się, aby w wygodnej pozycji znajdował się również łokieć.
3. Zatrzasnąć klamrę piersiową i w razie potrzeby wyregulować długość pasa piersiowego (Rys. F2).
4. Zatrzasnąć klamrę w pasie i wyregulować długość pasa w talii tak, aby plecak był bezpiecznie podparty na biodrach (Rys. F3 i F4).

UWAGA: Plecak nie może znajdować się na plecach zbyt wysoko; powinno się go umieścić raczej bliżej bioder niż blisko ramion.

⚠ OSTRZEŻENIE: W sytuacji awaryjnej należy natychmiast zwolnić klamrę na klatce piersiowej i w talii, aby zdjąć pasek plecaka z każdej strony. Jest to metoda szybkiego uwalniania.

5. Poprawić paski naramienne tak, aby były bezpieczne i wygodne. Upewnić się, że plecak bezpiecznie spoczywa na plecach użytkownika, ciężar plecaka powinien być podtrzymywany pasem biodrowym, plecak nie może się nadmiernie poruszać podczas poruszania się użytkownika (Rys. F5).
6. Nadmiarową długość pasa biodrowego zamocować z obu stron gumką (Rys. F6).
7. Aby zdjąć plecak z pleców, wystarczy nacisnąć i otworzyć klamrę w pasie i na piersi i opuścić dmuchawę (Rys. F7).

F1-1	Pasek na ramię	F2-1	Klamra piersiowa
F3-1	Klamra w pasie	F6-1	Elastyczny
F6-2	Dodatkowa długość paska		

Regulacja uchwytu sterującego

1. Aby przesunąć uchwyt sterujący do przodu lub do tyłu odpowiednio do potrzeb (Rys. G1 i G2), należy zwolnić dźwignię szybkiego zwalniania, a następnie zatrzasknąć ją, aby zablokować uchwyt sterujący w danej pozycji.
2. W celu zapewnienia wygody uchwyt można też odpowiednio do potrzeb obrócić (Rys. G3).

G1-1	Uchwyt sterujący	G1-2	Dźwignia szybkiego odblokowywania
------	------------------	------	-----------------------------------

Regulacja długości rury z uchwytem sterującym (Rys. H1, H2)

1. Zwolnić dźwignię szybkiego zwalniania.
2. Ustawić rurę dmuchawy w wygodnym położeniu roboczym w strefie regulacji (Rys. H1).
3. Zaciągnąć dźwignię szybkiego zwalniania, aby zablokować rurę dmuchawy w danej pozycji (Rys. H2).

PL

H1-1	Rura dmuchawy	H1-2	Dźwignia szybkiego odblokowywania
H2-1	Strefa regulacji		

WŁĄCZANIE/WYŁĄCZANIE DMUCHAWY

UWAGA: Jeśli temperatura akumulatora lub dmuchawy wynosi -15°C lub mniej, dmuchawa może nie włączać się prawidłowo. W takim przypadku należy wyjąć akumulator z dmuchawy i pozwolić akumulatorowi i dmuchawie nagrzać się w pomieszczeniu przez 10 minut lub dłużej. Złożyć akumulator z powrotem i spróbować ponownie.

Spust prędkości powietrza (Rys. I1, I2)

- Nacisnąć spust prędkości powietrza, aby wyłączyć dmuchawę, następnie na ekranie LCD wyświetli się wskaźnik paliwa, ikona akumulatora i wskaźnik prędkości powietrza.

UWAGA: Gdy poziom naładowania akumulatora jest niski, na wyświetlaczu LCD miga 1 dioda LED wskaźnika naładowania.

- Prędkość powietrza dmuchawy jest sterowana za pomocą spustu zmiennej prędkości. Większy nacisk na spust powoduje większą prędkość dmuchania; mniejszy nacisk na spust powoduje mniejszą prędkość dmuchania. Prędkość należy ustawić odpowiednio do wykonywanej pracy. Odpowiedni wskaźnik prędkości powietrza zostanie wyświetlony na ekranie LCD.

- Aby wyłączyć dmuchawę, wystarczy puścić spust prędkości powietrza. Ekran LCD wyłączy się po pewnym czasie od zwolnienia spustu.

Tryb turbo

Gdy spust prędkości powietrza jest wciśnięty i przytrzymany, nacisnąć przycisk turbo, aby zwiększyć przepływ powietrza do maksymalnej prędkości (Rys. I1). Na ekranie LCD zapali się wskaźnik turbo i ikona wentylatora (Rys. I3).

UWAGA: Po zwolnieniu przycisku turbo dmuchawa powróci do poprzedniej prędkości.

Tryb blokady prędkości

Blokada prędkości może być używana do obsługi dmuchawy bez ciągłego naciskania spustu prędkości powietrza.

1. Nacisnąć spust prędkości powietrza do osiągnięcia żądanej prędkości (Rys. I1).
2. Nacisnąć przycisk blokady prędkości. Ikona blokady prędkości zaświeci się na ekranie LCD (Rys. I4).
3. Zwolnić spust prędkości powietrza, dmuchawa będzie nadal pracować z „żądaną” prędkością.

UWAGA: Naciśnięcie przycisku turbo w trybie blokady prędkości może zablokować prędkość powietrza na maksymalnym poziomie. Po ponownym naciśnięciu przycisku turbo dmuchawa powróci do poprzedniej prędkości.

4. Aby zwolnić blokadę prędkości, należy ponownie nacisnąć przycisk blokady prędkości. Ikona blokady prędkości zniknie z ekranu LCD, a dmuchawa wyłączy się.

I1-1	Przycisk turbo	I1-2	Przycisk blokady prędkości
I1-3	Spust prędkości powietrza	I2-1	Wskaźnik paliwa
I2-2	Wskaźnik prędkości powietrza	I2-3	Ikona akumulatora
I3-1	Ikona wentylatora	I3-2	Wskaźnik turbo
I4-1	Ikona blokady prędkości		

TECHNOLOGIA ŁĄCZNOŚCI

Aby uzyskać informacje na temat pełnej oferty naszych produktów i usług łączących się bezprzewodowo, w tym instrukcje dotyczące podłączania, wystarczy zeskanować poniższy kod QR lub odwiedzić stronę www.egopowerplus.eu/connect.



WSKAZÓWKI DOTYCZĄCE KORZYSTANIA Z DMUCHAWY

- Aby nie rozrzucać śmieci, należy omijać strumieniem powietrza z dmuchawy zewnętrzne krawędzie kupek śmieci. Nigdy nie należy kierować strumienia powietrza bezpośrednio w środek kupki śmieci.
- Aby ograniczyć poziom hałasu, należy ograniczyć liczbę jednocześnie używanych urządzeń.
- Należy używać grabi i mioteł, aby przed użyciem dmuchawy wzruszyć zanieczyszczenia. Przy dużym zapyleniu, o ile tylko jest dostępna woda, dobrze jest lekko zwilżyć sprzątaną powierzchnię.
- Należy uważać na dzieci, zwierzęta domowe, otwarte okna i świeżo umyte samochody, zanieczyszczenia należy usuwać w bezpiecznej od nich odległości.
- Po zakończeniu używania dmuchaw i innych urządzeń, należy posprzątać! Odpady należy usunąć we właściwy sposób.

KONSERWACJA

⚠ OSTRZEŻENIE: Do serwisowania należy używać wyłącznie części zamiennych identycznych z oryginalnymi. Używanie jakichkolwiek innych części stwarza ryzyko i może spowodować usterkę produktu. Aby zagwarantować bezpieczeństwo i niezawodność, wszystkie naprawy powinny być wykonywane przez wykwalifikowanych techników serwisu.

⚠ OSTRZEŻENIE: Aby uniknąć poważnych obrażeń ciała, na czas czyszczenia lub wykonywania prac konserwacyjnych należy zawsze wyjmować z urządzenia akumulator.

KONSERWACJA OGÓLNA

Podczas czyszczenia części plastikowych należy unikać używania rozpuszczalników. Pod wpływem kontaktu z różnego rodzaju rozpuszczalnikami dostępnymi w handlu większość tworzyw może ulec uszkodzeniu. Do usuwania zabrudzeń, kurzu, oleju, smaru itp. należy używać czystych ściereczek.

⚠ OSTRZEŻENIE: Nigdy nie należy dopuszczać do zetknięcia się części plastikowych z substancjami takimi jak płyn hamulcowy, benzyna, produkty ropopochodne, oleje penetrujące itp. Substancje chemiczne mogą uszkodzić, osłabić lub zniszczyć tworzywa, co może w konsekwencji spowodować poważne obrażenia.

⚠ OSTRZEŻENIE: Aby zmniejszyć ryzyko pożaru, obrażeń ciała i uszkodzenia produktu w wyniku zwarcia, nigdy nie należy zanurzać maszyny, akumulatora ani ładowarki w płynach; nie należy też pozwalać, aby płyny dostały się do środka. Płyny żrące lub przewodzące, takie jak woda morską, niektóre chemikalia przemysłowe, wybielacze lub produkty zawierające wybielacze itp. mogą doprowadzić do zwarcia.

PRZECHOWYWANIE

- Wyjąć akumulator(y) z dmuchawy.
- Z dmuchawy i jej wlotów powietrza należy usunąć wszystkie zanieczyszczenia.
- Dopasować zaczepek na rurę do dmuchawy do rowka do mocowania rury oraz zaczepek rurę dmuchawy na obudowie schowka na akumulator (Rys. J1 i J2).
- Przechowywać w zamkniętych pomieszczeniach, w miejscu niedostępnym dla dzieci. Narzędzie należy chronić przed żrącymi substancjami takimi jak chemia ogrodnicza i sól do usuwania lodu.

J1-1	Zaczepek na rurę do dmuchawy	J1-2	Rowek do wieszania rury
------	------------------------------	------	-------------------------

Ochrona środowiska



Urządzeń elektrycznych, zużytych akumulatorów i ładowarki nie należy wyrzucać do zwykłych zmieszanych śmieci domowych! Produkt należy oddać do zbiórki selektywnej w autoryzowanym punkcie recyklingu. Elektronarzędzia należy oddawać do przyjaznego dla środowiska zakładu recyklingu.

ROZWIĄZYWANIE PROBLEMÓW

PROBLEM	PRZYCZYNA	ROZWIĄZANIE
Dmuchawa nie działa.	<ul style="list-style-type: none"> ■ Akumulator nie jest założony do dmuchawy. 	<ul style="list-style-type: none"> ■ Włożyć akumulator do dmuchawy.
	<ul style="list-style-type: none"> ■ Dmuchawa i akumulator nie kontaktują. 	<ul style="list-style-type: none"> ■ Wyjąć akumulator, sprawdzić styki i założyć akumulator z powrotem.
	<ul style="list-style-type: none"> ■ Akumulator jest rozładowany. 	<ul style="list-style-type: none"> ■ Naładować akumulator.
	<ul style="list-style-type: none"> ■ Akumulator lub dmuchawa jest zbyt gorący/-a. 	<ul style="list-style-type: none"> ■ Ostudzić akumulator i dmuchawę do temperatury poniżej 67°C.
	<ul style="list-style-type: none"> ■ Uszkodzony spust prędkości powietrza. 	<ul style="list-style-type: none"> ■ Skontaktować się z punktem obsługi klienta EGO w celu dokonania naprawy.
	<ul style="list-style-type: none"> ■ Akumulator lub dmuchawa jest zbyt zimny/-a. 	<ul style="list-style-type: none"> ■ Wyjąć akumulator i pozwolić akumulatorowi i dmuchawie rozgrzać się w pomieszczeniu. Zaleca się w pełni naładować akumulator i uruchomić dmuchawę na niskiej prędkości bez włączania trybu Turbo.
<p>PL Nie można włączyć ani wyłączyć trybu blokady prędkości.</p>	<ul style="list-style-type: none"> ■ Uszkodzony przycisk blokady prędkości. 	<ul style="list-style-type: none"> ■ Skontaktować się z punktem obsługi klienta EGO w celu dokonania naprawy.
Prędkość powietrza jest zauważalnie mniejsza.	<ul style="list-style-type: none"> ■ Niski poziom naładowania akumulatora. 	<ul style="list-style-type: none"> ■ Naładować akumulator.
	<ul style="list-style-type: none"> ■ Nadmierne zużycie wentylatora silnika. 	<ul style="list-style-type: none"> ■ Skontaktować się z serwisem EGO w celu naprawy.
	<ul style="list-style-type: none"> ■ Wlot powietrza jest zapchany zanieczyszczeniami. 	<ul style="list-style-type: none"> ■ Wyjąć akumulator i wyczyścić/usunąć odpady.
Ekran LCD nie działa prawidłowo.	<ul style="list-style-type: none"> ■ Ekran LCD lub połączenie kablowe są uszkodzone. 	<ul style="list-style-type: none"> ■ Skontaktować się z serwisem EGO w celu naprawy.
Miga 1 dioda LED wskaźnika naładowania na wyświetlaczu LCD.	<ul style="list-style-type: none"> ■ Niski poziom naładowania akumulatora. 	<ul style="list-style-type: none"> ■ Naładować akumulator.

GWARANCJA

POLITYKA GWARANCYJNA EGO

W celu zapoznania się z wszystkimi warunkami polityki gwarancyjnej EGO prosimy wejść na stronę egopowerplus.eu.

PŘEČTĚTE SI VŠECHNY POKYNY!



PŘEČTĚTE SI NÁVOD K OBSLUZE

VAROVÁNÍ: Z důvodu zajištění bezpečnosti a spolehlivosti musí všechny opravy provádět kvalifikovaný servisní technik.

BEZPEČNOSTNÍ SYMBOLY

Účelem bezpečnostních symbolů je upoutat vaši pozornost k případným nebezpečím. Bezpečnostní symboly a jejich vysvětlení vyžadují vaši zvýšenou pozornost a porozumění. Výstražné symboly samy o sobě nevyklučují žádné nebezpečí. Pokyny a varování nejsou náhradou vhodných opatření pro prevenci úrazů.

VAROVÁNÍ: Před použitím tohoto stroje si přečtěte a porozumějte všem bezpečnostním pokynům v tomto návodu k obsluze, včetně všech bezpečnostních výstražných symbolů, jako jsou „**NEBEZPEČÍ**“, „**VAROVÁNÍ**“ a „**UPOZORNĚNÍ**“. Nedodržení níže uvedených pokynů může mít za následek úraz elektrickým proudem, požár anebo vážná zranění osob.

VÝZNAM SYMBOLŮ

BEZPEČNOSTNÍ VÝSTRAŽNÉ SYMBOLY: Označují **NEBEZPEČÍ**, **VAROVÁNÍ**, nebo **UPOZORNĚNÍ** a mohou se použít ve spojení s dalšími symboly nebo piktogramy.

BEZPEČNOSTNÍ POKYNY

Na této stránce jsou zobrazeny a popsány bezpečnostní symboly, které se mohou na výrobku objevit. Před montáží a provozem si přečtěte, seznámte se a dodržujte veškeré pokyny ke stroji.

CZ



Bezpečnostní upozornění



Při práci s tímto výrobkem vždy používejte chrániče sluchu.



Udržujte ostatní osoby ve vzdálenosti aspoň 15 m.



Tento výrobek je v souladu s platnými předpisy ve Spojeném království.



Stejnoseměrný proud

IPX5 Ochrana před proudem vody

V Napětí

°C Celsius

N Newton



Z důvodu snížení rizika úrazu si musí uživatel před použitím tohoto výrobku přečíst návod k obsluze.



Při práci s tímto výrobkem vždy noste ochranné brýle nebo bezpečnostní brýle s bočními ochrannými štíty nebo obličejový štít.



Tento výrobek je v souladu s platnými směrnici ES.



Odpadní elektrické výrobky se nesmí likvidovat s domovním odpadem. Odevzdejte je do autorizovaného recyklačního střediska.



Symbol Bluetooth®




Garantovaná hladina akustického výkonu. Emise hluku do prostředí dle směrnice Evropského společenství.

kg Kilogram

m³/h Metr krychlový za hodinu

m/s Metr za sekundu

TECHNICKÉ ÚDAJE

Napětí	56 V 	
Maximální objem vzduchu	1360 m ³ /h	
Maximální rychlost proudění vzduchu	85 m/s	
Maximální síla foukání	26 N	
Přibližná doba běhu	Se dvěma 6,0 Ah akumulátory	24 min (Turbo) 32 min (Vysoká rychlost) 120 min (Nízká rychlost)
	Se dvěma 7,5 Ah akumulátory	30 min (Turbo) 40 min (Vysoká rychlost) 150 min (Nízká rychlost)
	Se dvěma 10 Ah akumulátory	40 min (Turbo) 52 min (Vysoká rychlost) 200 min (Nízká rychlost)
	Se dvěma 12 Ah akumulátory	48 min (Turbo) 63 min (Vysoká rychlost) 240 min (Nízká rychlost)
	Provozní frekvenční pásmo Bluetooth	2400 až 2438 MHz
	Maximální přenosový výkon Bluetooth	5 dBm
	Hmotnost (bez akumulátoru)	7,7 kg
	Doporučená provozní teplota	-15 °C - 40 °C
	Doporučená teplota skladování	-20 °C - 70 °C
	Měřená hladina akustického výkonu L _{WA}	97 dB(A) K=1,1 dB(A)
	Hladina akustického tlaku na sluch obsluhy L _{PA}	82 dB(A) K=3 dB(A)
	Zaručená úroveň akustického výkonu L _{WA} (měřeno podle směrnice 2000/14/ES)	98 dB(A)
Vibrace a _h	0,35 m/s ² K=1,5 m/s ²	

CZ

- Celková deklarovaná hodnota vibrací byla naměřena podle standardní zkušební metody a lze ji použít ke srovnání s jiným nářadím;
- Celkovou deklarovanou hodnotu vibrací lze použít také k předběžnému stanovení expozičních limitů.

POZNÁMKA: Emise vibrací při konkrétním použití elektrického nářadí se mohou lišit od deklarované hodnoty, při které se nářadí používá; z důvodu ochrany

provozovatele by měl uživatel ve skutečných pracovních podmínkách nosit rukavice a chrániče sluchu.

OBSAH BALENÍ (OBR. A1)

POPIS

SEZNAMTE SE SE SVÝM FOUKAČEM (obr. A1)

1. Nastavitelný nosný popruh
2. Skladovací knoflík foukací trubice
3. Batohová deska
4. Ovládací rukojeť
5. Zúžená tryska
6. Trubice foukače
7. Trubice ovládací rukojeť
8. Vlnovec
9. Přívod vzduchu
10. Pomocná rukojeť
11. Elektrické kontakty
12. Západka
13. Tlačítka pro uvolnění akumulátoru
14. Rukojeť
15. Tlačítko uzamčení rychlosti
16. LCD obrazovka
17. Tlačítko turbo
18. Přepínač rychlosti vzduchu
19. Drážka pro pověšení trubice
20. Rychloupínací páčky
21. Bluetooth kontrolka
22. Palivoměr
23. Ikona ventilátoru
24. Kontrolka pro turbo
25. Kontrolka rychlosti vzduchu
26. Ikona uzamčení rychlosti
27. Symbol akumulátoru

MONTÁŽ

VAROVÁNÍ: Pokud jsou některé díly poškozené, nebo chybí, nepoužívejte výrobek, dokud se díly nevymění. Použití tohoto výrobku s poškozenými nebo chybějícími díly může vést k vážnému úrazu.

VAROVÁNÍ: Nepokoušejte se výrobek upravovat ani vytvářet příslušenství, které se k tomuto foukači nedoporučuje. Každá taková změna nebo úprava je nesprávná a může vést k nebezpečné situaci, která může zapříčinit vážný úraz.

⚠ VAROVÁNÍ: Pokud provádíte montáž dílů, vždy vyjměte akumulátor z nářadí, aby nedošlo k neúmyslnému spuštění, které může způsobit vážný úraz.

MONTÁŽ TRUBIC FOUKAČE

Připojení trubice ovládací rukojeti k vlnovci

1. Zasuňte horní konec trubice ovládací rukojeti do vlnovce až na doraz (obr. B1).
2. Bezpečně utáhněte šroub v upínací objímce připevněné k vlnovci (obr. B2).

B1-1	Vlnovec	B1-2	Upínací límeček
B1-3	Horní konec	B1-4	Trubice ovládací rukojeti
B2-1	Šroub		

Připojení trubice foukače k trubici ovládací rukojeti

1. Uvolněte a sejměte rychloupínací páčku a křídlovou matici ze sestavy svorky trubice upevněné na trubici foukače (obr. C1).
2. Zarovnejte drážku v trubici foukače s žebrem na trubici ovládací rukojeti, nasuňte trubici foukače přes trubici ovládací rukojeti až na doraz (obr. C2).
3. Vložte kolík rychloupínací páčky a zavřete páčku na svorce trubice (obr. C3).
4. Utáhněte křídlovou matici, abyste zajistili svorku trubice na místě (obr. C4).

C1-1	Trubice foukače	C1-2	Svorka trubice
C1-3	Rychloupínací páčka	C1-4	Křídlová matice
C2-1	Trubice foukače	C2-2	Trubice ovládací rukojeti
C2-3	Drážka	C2-4	Výstupek
C3-1	Kolík		

Připojení zúžené trysky k trubici foukače

1. Zarovnejte drážku v trysce se západkou na trubici. Zatláčte trysku na trubici, dokud bezpečně nezapadne na místo (obr. D1).
2. **Chcete-li trysku vyjmout**, stiskněte a podržte tlačítko pro uvolnění trysky, aby se uvolnila západka, a poté vytáhněte trysku přímo z trubky foukače (obr. D2).

D1-1	Tlačítko pro uvolnění trysky	D1-2	Západka
------	------------------------------	------	---------

OBSLUHA

⚠ VAROVÁNÍ: Dbejte na to, abyste po seznámení s výrobkem nepřestali být opatrní. Nezapomínejte, že stačí chvíle nepozornosti a může se stát vážný úraz.

⚠ VAROVÁNÍ: Nepoužívejte nástavce nebo příslušenství, které nedoporučuje výrobce tohoto výrobku. Použití nedoporučených nástavců a příslušenství může vést k vážnému úrazu.

⚠ VAROVÁNÍ: Pokud provádíte montáž dílů, úpravy, čištění nebo foukač dlouhodobě nepoužíváte, vždy vyjměte akumulátor. Vyjmutím akumulátorů zabráníte náhodnému spuštění, které by mohlo způsobit vážné zranění.

Před každým použitím zkontrolujte celý výrobek, zda není poškozen, nechybí nebo nejsou uvolněné žádné díly, jako např. vruty, matice, šrouby, uzávěry atd. Pevně utáhněte všechny upevňovací prvky a uzávěry a výrobek nepoužívejte, dokud se nevymění všechny chybějící nebo poškozené díly.

POUŽITÍ

Výrobek lze použít k následujícím účelům:

- Odklizení listů a různého zahradního odpadu z trávníků a mulčovacích záhonů.
- Čištění pevných povrchů, jako např. příjezdových cest a chodníků.
- Udržování ploch a příjezdových cest bez listů a jehličí.

POZNÁMKA: Příklad se smí používat pouze k vyhrazenému účelu. Jakékoli jiné použití se považuje za zneužití.

INSTALACE/VYJMUTÍ AKUMULÁTORU

Používejte pouze EGO akumulátory a nabíječky uvedené na obr. A2.

Další podrobnosti naleznete v příslušných příručkách k akumulátorům a nabíječkám.

Před prvním použitím akumulátor plně nabijte.

POZNÁMKA: Pro dosažení nejlepšího výkonu doporučujeme použít 56V akumulátor EGO BA3360T (6,0 Ah) nebo jiný 56V akumulátor EGO s vyšší kapacitou Ah.

Foukač má dva aktivní akumulátorové porty umístěné na levé a pravé straně krytu bateriového portu.

POZNÁMKA: Foukač může pracovat na jeden nebo dva akumulátory. Použití dvou akumulátorů vám poskytne delší dobu provozu a efektivní odběr energie řízený technologií PEAK POWER™.

CZ

Po vložení akumulátorů do odpovídajících akumulátorových portů označených 1 nebo 2 na desce batohu a zapnutí foukače se na LCD obrazovce rozsvítí odpovídající ikona akumulátoru (obr. E1).

Připojení (obr. E2)

Zarovnejte žebra akumulátoru s montážními otvory v jednom z nich a zatlačte akumulátor dolů, dokud neuslyšíte „cvaknutí“. Připojte druhý akumulátor.

Vyjmutí

Stiskněte tlačítko pro uvolnění akumulátoru a vytáhněte jej.

VAROVÁNÍ: Při stisku tlačítka pro uvolnění akumulátoru dávejte pozor na nohy, děti nebo domácí zvířata. Pokud akumulátor upadne, může dojít k vážnému úrazu. NIKDY nevyjímejte akumulátor, když jste ve vysoké poloze.

E1-1	Číslo akumulátorových portů	E1-2	LCD obrazovka
E1-3	Symbol akumulátoru	E2-1	Žebro akumulátoru
E2-2	Instalační otvor	E2-3	Tlačítko pro uvolnění akumulátoru

UMÍSTĚNÍ ZÁDOVÉHO FOUKAČE

VAROVÁNÍ: Správně se oblečte, abyste snížili riziko zranění při obsluze tohoto stroje. Nenoste volný oděv ani šperky. Používejte ochranu očí a chrániče sluchu. Noste silné, dlouhé kalhoty, pevné boty a rukavice. Nenoste krátké kalhoty, sandály ani nechoďte bosí.

Před použitím zádového foukače se ujistěte, že má obsluha nasazenou ochranu očí a vhodný oděv a může si udržet bezpečný a vyvážený postoj.

Nastavení podpůrného postroje

1. Vložte ruce do zádoých popruhů pro nošení foukače na zádech.
2. Dočasně upravte oba ramenní popruhy do pohodlné polohy (obr. F1), ujistěte se, že váš loket je volný.
3. Zcvakněte hrudní přezku a v případě potřeby upravte délku hrudního popruhu (obr. F2).
4. Zaklapněte pasovou přezku a nastavte délku tak, aby byl foukač na zádech pevně podporován vašimi boky (obr. F3 a F4).

POZNÁMKA: Batoh by neměl být příliš vysoko na zádech; měl by být umístěn blíže k bokům než k vašim ramenům.

VAROVÁNÍ: Když dojde k nouzové situaci, okamžitě uvolněte přezky na hrudi a pasu a sundejte popruh na batohu na každé straně. Toto je metoda rychlého uvolnění.

5. Upravte ramenní popruhy pro bezpečnost a pohodlí. Ujistěte se, že batoh pevně sedí na zádech, s váhou podporovanou pasovou přezkou a bez nadměrného pohybu při přesunu (obr. F5).
6. Přebývající část popruhu kolem pasu zasuňte do gumičky po obou stranách (obr. F6).
7. Chcete-li batoh oddělit od zad, stačí stisknout přezky v pase a na hrudi, aby se uvolnily a foukač spustíte (obr. F7).

F1-1	Ramenní popruh	F2-1	Hrudní spona
F3-1	Pásová přezka	F6-1	Gumička
F6-2	Délka popruhu navíc		

Nastavení ovládací rukojeti

1. Uvolněním páčky rychlého uvolnění posuňte ovládací rukojeť vpřed nebo vzad podle potřeby (obr. G1 a G2) a poté páčku rychlého uvolnění zajistíte, abyste ovládací rukojeť zajistili na místě.
2. Pro větší pohodlí můžete také otočit rukojeť podle potřeby (obr. G3).

G1-1	Ovládací rukojeť	G1-2	Rychloupínací páčka
------	------------------	------	---------------------

Nastavení délky trubice ovládací rukojeti (obr. H1, H2)

1. Uvolněte rychloupínací páčku.
2. Posuňte trubici foukače do pohodlné provozní polohy v rámci nastavovací zóny (obr. H1).
3. Zasuňte rychloupínací páčku, abyste zajistili trubici foukače na místě (obr. H2).

H1-1	Trubice foukače	H1-2	Rychloupínací páčka
H2-1	Nastavovací zóna		

SPUŠTĚNÍ/VYPNUTÍ FOUKAČE

POZNÁMKA: Ventilátor se nemusí řádně spustit, pokud je teplota baterie -15 °C nebo méně. V takovém případě vyjměte baterii z ventilátoru a nechte baterii a ventilátor zahřát v interiéru po dobu 10 minut nebo déle. Znovu vložte baterii a zkuste to znovu.

Přepínač rychlosti vzduchu (obr. I1, I2)

- Stisknutím přepínače rychlosti vzduchu foukač zapnete, poté se na LCD obrazovce zobrazí ukazatel paliva, ikona akumulátoru a ukazatel rychlosti vzduchu.

POZNÁMKA: 1 LED dioda ukazatele nabití na LCD obrazovce bliká, když je baterie téměř vybitá.

- Rychlost vzduchu foukače je řízena spouští s proměnnou rychlostí. Více tlaku na spoušť zvýší rychlost foukání, méně tlaku na spoušť rychlost foukání sníží. Upravte rychlost tak, aby vyhovovala aktuálnímu úkolu. Na LCD obrazovce se zobrazí odpovídající indikátor rychlosti vzduchu.
- Chcete-li foukač vypnout, uvolněte spoušť pro ovládání proudění vzduchu. Displej LCD se po určitém čase po uvolnění přepínače vypne.

Režim turbo

Stisknutím a podržením přepínače rychlosti vzduchu zvýšíte průtok vzduchu na maximální rychlost (obr. I1). Na displeji LCD obrazovce se rozsvítí indikátor turba i ikona ventilátoru (obr. I3).

POZNÁMKA: Po uvolnění tlačítka turbo se ventilátor vrátí na předchozí rychlost.

Režim uzamčení rychlosti

Blokování rychlosti lze použít k ovládní foukače bez nepřetržitého stisknutí spouště rychlosti vzduchu.

- Stiskněte přepínač rychlosti vzduchu, dokud nedosáhnete požadované rychlosti (obr. I1).
- Stiskněte tlačítko uzamčení rychlosti. Na LCD obrazovce se rozsvítí ikona zámku rychlosti (obr. I4).
- Pak uvolněte přepínač rychlosti vzduchu, foukač bude pokračovat v chodu s „požadovanou“ rychlostí.

POZNÁMKA: Stisknutím tlačítka turbo v režimu uzamčení rychlosti můžete uzamknout rychlost vzduchu na maximální úrovni. Po opětovném stisknutí tlačítka turbo se foukač vrátí na předchozí rychlost.

- Chcete-li zámek rychlosti uvolnit, stiskněte znovu tlačítko zámku rychlosti. Ikona uzamčení rychlosti z LCD displeje zmizí a ventilátor se vypne.

I1-1	Tlačítko turbo	I1-2	Tlačítko uzamčení rychlosti
I1-3	Přepínač rychlosti vzduchu	I2-1	Palivoměr
I2-2	Kontrolka rychlosti vzduchu	I2-3	Symbol akumulátoru

I3-1	Ikona ventilátoru	I3-2	Kontrolka pro turbo
I4-1	Ikona uzamčení rychlosti		

KOMUNIKAČNÍ TECHNOLOGIE

Informace o kompletní nabídce připojovaných výrobků a o službách, včetně pokynů pro připojení, najdete po naskenování QR kódu níže nebo na adrese www.egopowerplus.eu/connect.



TIPY PRO POUŽÍVÁNÍ FOUKAČE

- Aby se nečistoty nerozptýlily, foukejte kolem vnějšího okraje hromady nečistot. Nikdy nefoukejte přímo do středu hromady.
- Chcete-li snížit hladinu hluku, omezte počet kusů použitého vybavení.
- K uvolnění nečistot před foukáním použijte hrábě a košťata. V prašném prostředí povrch lehce navlhčete, pokud máte k dispozici vodu.
- Dávejte pozor na děti, domácí zvířata, otevřená okna nebo čerstvě umytá auta a foukejte nečistoty bezpečně jiným směrem.
- Po použití foukačů nebo jiného zařízení uklidte! Nečistoty řádně správně zlikvidujte.

CZ

ÚDRŽBA

VAROVÁNÍ: Při opravách používejte pouze originální náhradní díly. Použití jiných dílů může představovat riziko nebo může způsobit poškození výrobku. Z důvodu zajištění bezpečnosti a spolehlivosti musí všechny opravy provádět kvalifikovaný servisní technik.

VAROVÁNÍ: Aby nedošlo k vážnému úrazu, vždy při čištění nebo jiné údržbě vyjměte z výrobku akumulátor.

CELKOVÁ ÚDRŽBA

K čištění plastových dílů nepoužívejte rozpouštědla. Většina plastů je náchylná k poškození různými typy komerčních rozpouštědel a jejich použití je může poškodit. K odstranění nečistot, prachu, oleje, maziva atd. použijte čistý hadr.

⚠ VAROVÁNÍ: Dbejte, aby nikdy nedošlo ke styku plastových částí s brzdovými kapalinami, benzinem, ropnými produkty, penetračními oleji atd. Chemické látky mohou poškodit, zeslabit nebo poškodit plast, což může vést k vážnému úrazu.

⚠ VAROVÁNÍ: Abyste snížili riziko požáru, zranění osob a poškození výrobku v důsledku zkratu, nikdy neponořujte stroj, akumulátor nebo nabíječku do kapaliny ani nedovolte, aby do nich proudila tekutina. Korozivní nebo vodivé kapaliny, jako je mořská voda, určité průmyslové chemikálie a výrobky obsahující bělidla nebo bělidla atd., mohou způsobit zkrat.

SKLADOVÁNÍ

- Vyměňte akumulátory z foukače.
- Odstraňte všechny nečistoty z přívodů vzduchu foukače.
- Zarovnejte skladovací knoflík foukací trubice s drážkou pro pověšení trubice a zavěste foukací trubici na kryt akumulátorového portu (viz obr. J1 a J2).
- Skladujte v uzavřeném prostoru, který není přístupný dětem. Uchovávejte v bezpečné vzdálenosti od korozivních látek, jako jsou chemické látky a rozmrazovací soli.

CZ

J1-1	Skladovací knoflík foukací trubice	J1-2	Drážka pro pověšení trubice
------	------------------------------------	------	-----------------------------

Ochrana životního prostředí



Elektrické zařízení, použité baterie nabíječku nevhazujte do domovního odpadu! Předejte tento výrobek autorizované recyklační společnosti ke tříděnému sběru. Elektrické nářadí musí být vráceno do zařízení pro ekologickou recyklaci.

ODSTRAŇOVÁNÍ ZÁVAD

PROBLÉM	PŘÍČINA	ŘEŠENÍ
Foukač nefunguje.	<ul style="list-style-type: none"> ▪ K foukači není připojen akumulátor. 	<ul style="list-style-type: none"> ▪ Připojte k ventilátoru baterii.
	<ul style="list-style-type: none"> ▪ Bez elektrického kontaktu mezi foukačem a akumulátorem. 	<ul style="list-style-type: none"> ▪ Vyměte baterii, zkontrolujte kontakty a znovu ji nainstalujte.
	<ul style="list-style-type: none"> ▪ Baterie je vybitá. 	<ul style="list-style-type: none"> ▪ Nabijte baterii.
	<ul style="list-style-type: none"> ▪ Baterie ventilátoru je příliš horká. 	<ul style="list-style-type: none"> ▪ Zchlaďte baterii a ventilátor, dokud teplota neklesne pod 67 °C.
	<ul style="list-style-type: none"> ▪ Poškozený přepínač rychlosti vzduchu. 	<ul style="list-style-type: none"> ▪ Pro pomoc kontaktujte zákaznický servis společnosti EGO.
	<ul style="list-style-type: none"> ▪ Baterie ventilátoru je příliš studená. 	<ul style="list-style-type: none"> ▪ Vyměte baterii, nechte baterii a ventilátor zahřát v interiéru. Doporučujeme plně nabít baterii a spustit ventilátor na nízkou rychlost bez aktivace režimu Turbo.
Režim uzamčení rychlosti nelze zapnout ani vypnout.	<ul style="list-style-type: none"> ▪ Poškozené tlačítko uzamčení rychlosti. 	<ul style="list-style-type: none"> ▪ Pro pomoc kontaktujte zákaznický servis společnosti EGO.
Rychlost vzduchu se znatelně snížila.	<ul style="list-style-type: none"> ▪ Nabítí akumulátoru je nízké. 	<ul style="list-style-type: none"> ▪ Nabijte baterii.
	<ul style="list-style-type: none"> ▪ Nadměrné opotřebení motoru ventilátoru. 	<ul style="list-style-type: none"> ▪ Pro opravu kontaktujte servis EGO.
	<ul style="list-style-type: none"> ▪ Přívod vzduchu je zablokovaný nečistotami. 	<ul style="list-style-type: none"> ▪ Vyměte akumulátor, odstraňte nečistoty.
LCD obrazovka nefunguje správně.	<ul style="list-style-type: none"> ▪ LCD obrazovka nebo kabelové připojení jsou poškozené. 	<ul style="list-style-type: none"> ▪ Pro opravu kontaktujte servis EGO.
1 LED dioda ukazatele nabití na LCD obrazovce bliká.	<ul style="list-style-type: none"> ▪ Nabítí akumulátoru je nízké. 	<ul style="list-style-type: none"> ▪ Nabijte baterii.

CZ

ZÁRUKA

ZÁRUČNÍ PODMÍNKY SPOLEČNOSTI EGO

Úplné záruční podmínky společnosti EGO naleznete na webové stránce egopowerplus.eu.

PREČÍTAJTE SI VŠETKY POKYNY!



PREČÍTAJTE SI NÁVOD NA OBSLUHU

VAROVANIE: Pre zaistenie bezpečnosti a spoľahlivosti je nevyhnutné, aby všetky opravy vykonával len kvalifikovaný servisný technik.

BEZPEČNOSTNÉ SYMBOLY

Účelom bezpečnostných symbolov je upozorniť na možné nebezpečenstvá. Venujte príslušnú pozornosť a pochopte bezpečnostné symboly a ich vysvetlenia. Varovné symboly, samy o sebe, nedokážu eliminovať nebezpečenstvo. Pokyny a varovania, ktoré obsahujú, nie sú náhradou za vhodné opatrenia na prevenciu úrazov.

VAROVANIE: Pred použitím tohto stroja si prečítajte a pochopte všetky bezpečnostné pokyny v tomto návode na obsluhu vrátane všetkých bezpečnostných výstražných symbolov ako napríklad „**NEBEZPEČENSTVO**“, „**VAROVANIE**“ a „**UPOZORNENIE**“. Nedodržanie nižšie uvedených pokynov môže mať za následok úraz elektrickým prúdom, požiar a/alebo vážne zranenie.

VÝZNAM SYMBOLU

BEZPEČNOSTNÝ VÝSTRAŽNÝ SYMBOL: Označuje **NEBEZPEČENSTVO**, **VAROVANIE** alebo **UPOZORNENIE**, môže byť použitý spoločne s inými symbolmi alebo piktogramami.

SK

BEZPEČNOSTNÉ POKYNY

Táto strana zobrazuje a popisuje bezpečnostné symboly, ktoré sa objavujú na tomto výrobku. Pred pokusom o zostavenie a prevádzkovanie si prečítajte, pochopte a dodržiavajte všetky pokyny na stroji.



Bezpečnostné upozornenie



Pri práci s týmto výrobkom vždy používajte ochranu sluchu.



Udržiavajte okolostojace osoby vo vzdialenosti aspoň 15 m.



Tento výrobok je v súlade s platnou legislatívou Spojeného kráľovstva.



Jednosmerný prúd

IPX5 Ochrana pred prúdom vody

V Napätie

°C Celzcius

N Newton



Ak chcete znížiť riziko zranenia, používateľ musí pred použitím tohto výrobku prečítať návod na obsluhu.



Pri práci s týmto výrobkom vždy noste ochranné okuliare alebo ochranné okuliare s postrannými krytmi a celotvárový štít.



Tento výrobok je v súlade s platnými smernicami ES.



Odpadové elektrické výrobky sa nesmú likvidovať spolu s domovým odpadom. Odovzdajte do autorizovaného recyklačného strediska.



Symbol Bluetooth®



Garantovaná hladina akustického výkonu. Emisie hluku do prostredia sú podľa smernice Európskeho spoločenstva.

kg Kilogram

m³/h Meter kubický za hodinu

m/s Meter za sekundu

TECHNICKÉ ÚDAJE

Napätie	56 V	
Maximálny objem vzduchu	1360 m ³ /h	
Maximálna rýchlosť vzduchu	85 m/s	
Maximálna sila fúkania	26 N	
Približný čas prevádzky	S dvoma akumulátormi s kapacitou 6,0 Ah	24 min (Turbo)
		32 min (Vysoká rýchlosť)
		120 min (Nízka rýchlosť)
	S dvoma akumulátormi s kapacitou 7,5 Ah	30 min (Turbo)
		40 min (Vysoká rýchlosť)
		150 min (Nízka rýchlosť)
	S dvoma akumulátormi s kapacitou 10 Ah	40 min (Turbo)
		52 min (Vysoká rýchlosť)
		200 min (Nízka rýchlosť)
	S dvoma akumulátormi s kapacitou 12 Ah	48 min (Turbo)
		63 min (Vysoká rýchlosť)
		240 min (Nízka rýchlosť)
Prevádzkové frekvenčné pásmo Bluetooth	2400 - 2438 MHz	
Maximálny prenosový výkon Bluetooth	5 dBm	
Hmotnosť (bez akumulátora)	7,7 kg	
Odporúčaná prevádzková teplota	-15 °C - 40 °C	
Odporúčaná skladovacia teplota	-20 °C - 70 °C	
Nameraná hladina akustického výkonu L _{WA}	97 dB(A) K=1,1 dB(A)	
Hladina akustického tlaku na uši obsluhy L _{PA}	82 dB(A) K=3 dB(A)	
Garantovaná hladina akustického výkonu L _{WA} (merané podľa 2000/14/ES)	98 dB(A)	
Vibrácie a _h	0,35 m/s ² K=1,5 m/s ²	

- Deklarovaná celková hodnota vibrácií bola meraná v súlade so štandardnou skúšobnou metódou a môže sa použiť na vzájomné porovnanie jednotlivých náradí;
- Uvádzaná celková hodnota vibrácie sa môže použiť aj na predbežný odhad expozície.

POZNÁMKA: Emisia vibrácií pri skutočnom používaní náradia sa môže odlišovať od deklarovanej hodnoty, pri akej sa nástroj používa; Za účelom ochrany obsluhy má používateľ v skutočných podmienkach použitia nosiť rukavice a ochranu sluchu.

OBSAH BALENIA (OBR. A1)

POPIS

ZOZNÁMTE SA S VAŠIM DÚCHADLOM (Obr. A1)

1. Nastaviteľné nosné popruhy
2. Skladovací gombík trubice dúchadla
3. Batohová doska
4. Ovládacia rukoväť
5. Zúžená tryska
6. Trubica dúchadla
7. Trubica ovládacej rukoväti
8. Vinovec
9. Prívod vzduchu
10. Pomocná rukoväť
11. Elektrické kontakty
12. Západka
13. Tlačidlo uvoľnenia akumulátora
14. Rukoväť
15. Tlačidlo uzamknutia rýchlosti
16. LCD obrazovka
17. Tlačidlo turbo
18. Ovládač prúdenia vzduchu
19. Závesná štrbina trubice
20. Rýchlopínacie páčky
21. Indikátor Bluetooth
22. Palivomer
23. Ikona ventilátora
24. Kontrolka turbo
25. Indikátor rýchlosti vzduchu
26. Ikona uzamknutia rýchlosti
27. Ikona akumulátora

SK

MONTÁŽ

VAROVANIE: Ak akýkoľvek diel chýba, alebo je poškodený, nepoužívajte tento výrobok, kým nie sú vymenené diely. Ak používate tento výrobok s poškodenými alebo chýbajúcimi časťami, môže dôjsť k vážnemu zraneniu.

VAROVANIE: Nepokúšajte sa upravovať tento výrobok alebo vytvoriť príslušenstvo, ktoré nie je odporúčané na použitie s týmto dúchadlom. Každá takáto zmena alebo modifikácia sa považuje za zneužitie a môže spôsobiť nebezpečný stav, ktorý vedie k možnému vážnemu zraneniu.

VAROVANIE: Pri montáži dielov vždy vyberte akumulátory z náradia, aby ste zabránili náhodnému spusteniu, ktoré by mohlo spôsobiť vážne zranenia.

MONTÁŽ TRUBÍC DÚCHADLA

Pripojenie trubice ovládacej rukoväti k vlnovcu

1. Vložte horný koniec trubice ovládacej rukoväti do vlnovca tak ďaleko, ako to pôjde (obr. B1).
2. Bezpečne utiahnite skrutku v upínacej manžete pripievanej k vlnovcu (obr. B2).

B1-1	Vlnovec	B1-2	Upínacia manžeta
B1-3	Horný koniec	B1-4	Trubica ovládacej rukoväti
B2-1	Skrutka		

Pripojenie trubice dúchadla k trubici ovládacej rukoväti

1. Uvoľnite a vyberte rýchlopínaciu páčku a krídlovú maticu zo zostavy trubicovej svorky upevnenej na trubici dúchadla (obr. C1).
2. Zarovnajete drážku v trubici dúchadla s rebrom na trubici ovládacej rukoväti, posuňte trubicu dúchadla cez trubicu ovládacej rukoväti tak ďaleko, ako to pôjde (obr. C2).
3. Zasuňte kolík rýchlopínacej páčky a zatvorte páčku na svorku trubice (obr. C3).
4. Utiahnite krídlovú maticu, aby ste upevnili svorku trubice (obr. C4).

C1-1	Trubica dúchadla	C1-2	Svorka trubice
C1-3	Rýchlopínacia páčka	C1-4	Krídlová matica
C2-1	Trubica dúchadla	C2-2	Trubica ovládacej rukoväti
C2-3	Drážka	C2-4	Výstupok
C3-1	Čap		

Pripojenie zúženej trysky na trubicu dúchadla

1. Zarovnajete drážku v tryske so západkou na trubici. Zatláčte trysku na trubicu, kým bezpečne nezapadne na miesto (obr. D1).

2. **Ak chcete vybrať trysku,** stlačte a podržte tlačidlo uvoľnenia trysky, aby sa uvoľnila západka, a potom vytiahnite trysku priamo z trubice dúchadla (obr. D2).

D1-1	Tlačidlo na uvoľnenie trysky	D1-2	Západka
------	------------------------------	------	---------

PREVÁDZKA

VAROVANIE: Nedovoľte, aby dlhodobá skúsenosť práce s týmto výrobkom spôsobila vašu neopatrnosť. Pamätajte na to, že aj chvilková neopatrnosť stačí na to, aby spôsobila vážny úraz.

VAROVANIE: Nepoužívajte žiadne doplnky alebo príslušenstvo, ak ho neodporúča výrobca uvedeného výrobku. Používanie nástavcov alebo príslušenstva, ktoré nie je odporúčané, môže viesť k vážnemu zraneniu osôb.

VAROVANIE: Vždy vyberte akumulátory z nástroja pri montáži dielov, vykonávaní úprav, čistení, alebo keď sa nepoužíva. Výbratie akumulátorov zabráni náhodnému spusteniu, ktoré by mohlo viesť k vážnemu zraneniu.

Pred každým použitím skontrolujte, či na zariadení nie sú poškodené, chýbajúce alebo uvoľnené časti, napríklad skrutky, matice, závit, uzávery, atď.. Bezpečne utiahnite všetky upevňovacie prvky a uzávery a nepoužívajte tento výrobok, kým nebudú vymenené všetky chýbajúce alebo poškodené diely.

POUŽITIE

Tento výrobok môžete použiť na tieto uvedené účely:

- Odstraňovanie lístia a rôzneho odpadu z trávnikov a mulčovacích záhonov.
- Čistenie tvrdých povrchov, ako sú príjazdové cesty a chodníky.
- Udržiavanie plôch a príjazdových ciest bez listov a ihličia.

POZNÁMKA: Náradie sa musí používať v súlade s účelom použitia. Každé iné použitie sa považuje za prípad nevhodného použitia.

PRIPOJENIE/ODPOJENIE AKUMULÁTORA

Používajte iba EGO akumulátory a nabíjačky uvedené na obr. A2.

Ďalšie podrobnosti nájdete v príslušných návodoch pre akumulátory a nabíjačky.

Pred prvým použitím úplne nabite.

POZNÁMKA: Na dosiahnutie najlepšieho výkonu odporúčame používať 56 V akumulátor EGO BA3360T (6,0 Ah) alebo iné 56 V akumulátory EGO s vyššou kapacitou Ah.

Dúchadlo má dve aktívne priehradky na akumulátor na ľavej a pravej strane krytu portu pre akumulátor.

POZNÁMKA: Dúchadlo môže fungovať na jeden alebo dva akumulátory. Použitie dvoch akumulátorov vám poskytne dlhšiu dobu prevádzky a efektívny odber energie riadený technológiou PEAK POWER™.

Keď sú akumulátory vložené do príslušných akumulátorových portov označených 1 alebo 2 na doske batohu a dúchadlo je zapnuté, na LCD obrazovke sa rozsvieti príslušná ikona akumulátora (obr. E1).

Pripojenie (obr. E2)

Zarovnajtie rebrá s montážnymi otvormi v jednom z nich a zatlačte akumulátor, kým nebudete počuť „cvaknutie“. Pripojte druhý akumulátor.

Odpojenie

Stlačte tlačidlo na uvoľnenie akumulátora a vytiahnite akumulátor.

VAROVANIE: Vždy majte na pamäti umiestnenie vašich nôh, polohu detí, či zvierat pri stlačení tlačidla pre uvoľnenie akumulátora. Mohlo by dôjsť k vážnemu zraneniu v prípade vypadnutia akumulátora. NIKDY nevyberajte akumulátor, ak sa nachádzate vo vysokej polohe.

E1-1	Číslo portov akumulátora	E1-2	LCD obrazovka
E1-3	Ikona akumulátora	E2-1	Rebro akumulátora
E2-2	Montážny otvor	E2-3	Tlačidlo na uvoľnenie akumulátora

UMIESTNENIE CHRBTOVÉHO DÚCHADLA

VAROVANIE: Správne sa oblečte, aby ste znížili riziko zranenia pri obsluhu tohto stroja. Nenoste šperky alebo voľný odev. Používajte ochranu očí a sluchu. Oblečte si odolné, dlhé nohavice, vysoké topánky a rukavice. Nenoste krátke nohavice, sandále alebo nebuďte naboso. Pred použitím batohového dúchadla sa uistite, že obsluha má na sebe ochranu očí a vhodný odev a že dokáže udržať bezpečný a vyvážený postoj.

Nastavenie nosných popruhov

- Vložte ruky do nosných popruhov pre nosenie dúchadla na chrbte.
- Dočasne upravte oba ramenné popruhy do pohodlnej polohy (obr. F1). Uistite sa, že je váš lakeť v pohodlnej polohe.

- Zapnite hrudnú sponu a v prípade potreby upravte dĺžku hrudného pásu (obr. F2).
- Zaklapnite driekovú sponu a nastavte dĺžku tak, aby batoh bol pevne podporovaný vašimi bokmi (obr. F3 a F4).

POZNÁMKA: Batoh by nemal sedieť príliš vysoko na chrbte; mal by byť umiestnený bližšie k bokom než k ramenám.

VAROVANIE: V prípade núdze okamžite uvoľnite hrudnú a bedrovú sponu, aby ste si mohli odopnúť popruh batohu na každej strane. Ide o metódu rýchleho uvoľnenia.

- Upravte ramenné popruhy pre bezpečnosť a pohodlie. Tým zaistíte, že batoh pevne sedí na chrbte, jeho hmotnosť je podporovaná driekovým pásmom bez nadmerného pohybu pri pohybe (obr. F5).
- Prípadnú nadbytočnú dĺžku popruhu okolo pásu vložte do gumičky na oboch stranách (obr. F6).
- Ak chcete batoh odpojiť od chrbta, stačí stlačiť spony na pásu a na hrudi, aby sa uvoľnili, a spustiť dúchadlo (obr. F7).

F1-1	Ramenný popruh	F2-1	Hrudná spona
F3-1	Pásová spona	F6-1	Gumička
F6-2	Zvyšná dĺžka popruhu		

SK

Nastavenie ovládacej rukoväte

- Uvoľnite rýchlopúšpaciu páčku a posuňte ovládaciu rukoväť dopredu alebo dozadu podľa potreby (obr. G1 a G2) a potom dotiahnite rýchlopúšpaciu páčku, aby ste zaistili ovládaciu rukoväť na mieste.
- Môžete tiež otočiť rukoväť podľa potreby pre väčšie pohodlie (obr. G3).

G1-1	Ovládacia rukoväť	G1-2	Rýchlopúšpacia páčka
------	-------------------	------	----------------------

Nastavenie dĺžky trubice ovládacej rukoväte (obr. H1, H2)

- Uvoľnite rýchlopúšpaciu páčku.
- Presuňte trubicu dúchadla do pohodlnej pracovnej polohy v rámci zóny nastavenia (obr. H1).
- Utiahnite rýchlopúšpaciu páčku pre zaistenie trubice dúchadla na mieste (obr. H2).

H1-1	Trubica dúchadla	H1-2	Rýchlopúšpacia páčka
H2-1	Zóna nastavenia		

SPUSTENIE/ZASTAVENIE DÚCHADLA

POZNÁMKA: Dúchadlo sa nemusí správne spustiť, ak je teplota akumulátora alebo dúchadla -15 °C alebo nižšia. V takom prípade vyberte akumulátor z dúchadla, nechajte akumulátor a dúchadlo zahriať v interiéri po dobu 10 minút alebo dlhšie. Znova vložte akumulátor a skúste to znova.

Ovládač prúdenia vzduchu (obr. I1 a I2)

- Stlačením ovládača rýchlosti vzduchu stroj zapnete, potom sa na LCD obrazovke zobrazí ukazovateľ paliva, ikona akumulátora, indikátor rýchlosti vzduchu.

POZNÁMKA: 1 LED kontrolka palivomera na LCD obrazovke bliká, keď úroveň nabitia akumulátora je nízka.

- Rýchlosť vzduchu dúchadla sa ovláda ovládačom prúdenia vzduchu. Väčší tlak na ovládač má za následok vyššie rýchlosti fúkania; menší tlak na spúšť má za následok nižšie rýchlosti fúkania. Nastavte rýchlosť tak, aby vyhovovala vykonávanej úlohe. Na LCD obrazovke sa zobrazí príslušný indikátor rýchlosti vzduchu.
- Uvoľnením ovládača dúchadlo vypnete. Obrazovka LCD sa vypne do určitého času po uvoľnení ovládača.

SK

Režim turbo

Kým je stlačený a držaný ovládač rýchlosti vzduchu, stlačte tlačidlo turbo, aby ste zvýšili prietok vzduchu na maximálnu rýchlosť (obr. I1). Na LCD obrazovke sa rozsvieti indikátor turbo a ikona ventilátora (obr. I3).

POZNÁMKA: Po uvoľnení tlačidla turbo sa dúchadlo vráti na predchádzajúcu rýchlosť.

Režim uzamknutia rýchlosti

Uzamknutie rýchlosti možno použiť na ovládanie dúchadla bez neustáleho stláčania spúšťača otáčok vzduchu.

1. Stláčajte ovládač rýchlosti vzduchu, kým nedosiahnete požadovanú rýchlosť (obr. I1).
2. Stlačte tlačidlo uzamknutia rýchlosti. Na LCD obrazovke sa rozsvieti ikona uzamknutia rýchlosti (obr. I4).
3. Potom uvoľnite ovládač rýchlosti vzduchu, dúchadlo bude pokračovať v chode na „požadovanej“ rýchlosti. **POZNÁMKA: Stlačením tlačidla turbo v režime uzamknutia rýchlosti môžete zablokovať rýchlosť vzduchu na maximálnej úrovni. Po opätovnom stlačení tlačidla turbo dúchadlo obnoví predchádzajúcu rýchlosť.**
4. Ak chcete uvoľniť uzamknutie rýchlosti, znova stlačte tlačidlo uzamknutia rýchlosti. Ikona uzamknutia rýchlosti zmizne z LCD obrazovky a dúchadlo sa vypne.

I1-1	Tlačidlo turbo	I1-2	Tlačidlo uzamknutia rýchlosti
I1-3	Ovládač prúdenia vzduchu	I2-1	Palivomer
I2-2	Indikátor rýchlosti vzduchu	I2-3	Ikona akumulátora
I3-1	Ikona ventilátora	I3-2	Kontrolka turbo
I4-1	Ikona uzamknutia rýchlosti		

KOMUNIKAČNÁ TECHNOLOGIA

Ak chcete získať informácie alebo sa oboznámiť s celou škálou pripojených výrobkov a služieb vrátane pokynov na pripojenie, naskenujte QR kód nižšie alebo navštívte stránku www.egopowerplus.eu/connect.



TIPY PRE POUŽÍVANIE DÚCHADLA

- Ak chcete zabrániť rozptyľovaniu nečistôt, fúkajte okolo vonkajšieho okraja hromady odpadu. Nikdy nefúkajte priamo do stredu hromady.
- Ak chcete znížiť hladinu hluku, obmedzte počet kusov zariadení používaných v jednom okamihu.
- Pred fúkaním použite hrable a metly na uvoľnenie nečistôt. V prašných podmienkach ľahko navlhčite povrch, ak je k dispozícii voda.
- Dávajte pozor na deti, domáce zvieratá, otvorené okná alebo čerstvo umyté auta a fúkajte odpad do bezpečnej vzdialenosti.
- Po použití dúchadiel alebo iných zariadení nezabudnite upratať! Zlikvidujte odpad správne.

ÚDRŽBA

VAROVANIE: Pri servise používajte iba identické náhradné diely. Použitie iných častí môže vyvolať nebezpečenstvo, alebo spôsobiť poškodenie výrobku. Pre zaistenie bezpečnosti a spoľahlivosti je nevyhnutné, aby všetky opravy vykonával len kvalifikovaný servisný technik.

VAROVANIE: Pri čistení alebo vykonávaní údržby vždy vyberte akumulátor z výrobku, aby nedošlo k vážnemu zraneniu.

VŠEOBECNÁ ÚDRŽBA

Na čistenie plastových dielov nepoužívajte rozpúšťadlá. Väčšina plastov je náchylná na poškodenie rôznymi typmi komerčných rozpúšťadiel a môžu sa poškodiť, ak sa rozpúšťadlá použijú. Použite čisté handry na odstránenie nečistôt, prachu, oleja, maziva, atď.

VAROVANIE: Nikdy nedovoľte, aby brzdové kvapaliny, benzín, ropné výrobky, penetračné oleje atď. prišli do styku s plastovými časťami. Chemické látky môžu poškodiť, oslabiť alebo zničiť plast, čo môže viesť k vážnemu zraneniu.

VAROVANIE: Aby ste znížili riziko požiaru, zranenia osôb a poškodenia výrobku v dôsledku skratu, nikdy neponárajte váš stroj, akumulátor alebo nabíjačku do tekutiny a nedovoľte, aby do nich pretiekla tekutina. Korozívne alebo vodivé kvapaliny, ako je morská voda, určité priemyselné chemikálie a bieliadlá alebo výrobky obsahujúce bieliadlá atď., môžu spôsobiť skrat.

USKLADNENIE

- Vyberte akumulátory z dýchadla.
- Odstráňte všetky nečistoty zo vzduchových prívodov dýchadla.
- Zarovnajcie skladovací gombík trubice dýchadla s drážkou na zavesenie trubice a zaháknite trubicu dýchadla na puzdro portu akumulátora (obr. J1 a J2).
- Skladujte v uzavretom priestore, ktorý nie je prístupný deťom. Chráňte pred agresívnymi látkami, ako sú záhradné chemikálie a rozmrazovacie soli.

J1-1	Skladovací gombík trubice dýchadla	J1-2	Závesná štrbina trubice
------	------------------------------------	------	-------------------------

Ochrana životného prostredia



Nevyhadzujte elektrické zariadenia, nabíjačku a použité akumulátory do domového odpadu! Tento výrobok odneste na autorizované recyklačné miesto a poskytnite ho na separovaný zber. Elektrické náradie sa musí odovzdať do príslušného zariadenia na ekologicky šetrnú recykláciu.

SK

ODSTRAŇOVANIE PORÚCH

PROBLÉM	PRÍČINA	RIEŠENIE
Dúchadlo nefunguje.	<ul style="list-style-type: none"> ■ Akumulátor nie je pripojený do dúchadla. 	<ul style="list-style-type: none"> ■ Pripojte akumulátor do dúchadla.
	<ul style="list-style-type: none"> ■ Žiadny elektrický kontakt medzi dúchadlom a akumulátorom. 	<ul style="list-style-type: none"> ■ Vyberte akumulátor, skontrolujte kontakty a akumulátor nainštalujte naspäť.
	<ul style="list-style-type: none"> ■ Akumulátor je vybitý. 	<ul style="list-style-type: none"> ■ Nabite akumulátor.
	<ul style="list-style-type: none"> ■ Akumulátor alebo dúchadlo sú príliš horúce. 	<ul style="list-style-type: none"> ■ Nechajte vychladnúť akumulátor alebo dúchadlo, kým teplota neklesne pod 67 °C.
	<ul style="list-style-type: none"> ■ Poškodený ovládač rýchlosti vzduchu. 	<ul style="list-style-type: none"> ■ Pre opravy kontaktujte zákaznícky servis EGO.
	<ul style="list-style-type: none"> ■ Akumulátor alebo dúchadlo sú príliš studené. 	<ul style="list-style-type: none"> ■ Vyberte akumulátor, nechajte akumulátor a dúchadlo zahriať v interiéri. Odporúča sa úplne nabiť akumulátor a spustiť dúchadlo pri nízkych otáčkach bez aktivácie režimu Turbo.
Režim uzamknutia rýchlosti nie je možné zapnúť ani vypnúť.	<ul style="list-style-type: none"> ■ Poškodené tlačidlo uzamknutia rýchlosti. 	<ul style="list-style-type: none"> ■ Pre opravy kontaktujte zákaznícky servis EGO.
Rýchlosť vzduchu sa výrazne zníži.	<ul style="list-style-type: none"> ■ Akumulátor je takmer vybitý. 	<ul style="list-style-type: none"> ■ Nabite akumulátor.
	<ul style="list-style-type: none"> ■ Nadmerné opotrebovanie ventilátora motora. 	<ul style="list-style-type: none"> ■ Pre opravu kontaktujte servis EGO.
	<ul style="list-style-type: none"> ■ Prívod vzduchu je zablokovaný nečistotami. 	<ul style="list-style-type: none"> ■ Vyberte akumulátor a odstráňte nečistoty.
LCD obrazovka nefunguje správne.	<ul style="list-style-type: none"> ■ LCD obrazovka alebo vodičové spojenie sú poškodené. 	<ul style="list-style-type: none"> ■ Pre opravu kontaktujte servis EGO.
1 LED kontrolka palivomera na LCD displeji bliká.	<ul style="list-style-type: none"> ■ Akumulátor je takmer vybitý. 	<ul style="list-style-type: none"> ■ Nabite akumulátor.

SK

ZÁRUKA

ZÁRUČNÁ POLITIKA EGO

Úplné znenie záručných podmienok EGO nájdete na webovej stránke egopowerplus.eu.

OLVASSA EL AZ ÖSSZES UTASÍTÁST!



OLVASSA EL A HASZNÁLATI ÚTMUTATÓT

▲ FIGYELMEZTETÉS: A biztonságosság és megbízhatóság biztosítása érdekében minden javítást szakképzett szerviztechnikusnak kell elvégeznie.

BIZTONSÁGI SZIMBÓLUMOK

A biztonsági szimbólumok célja, hogy felhívják a figyelmet az esetleges veszélyekre. Nagyon figyeljen a biztonsági szimbólumokra és magyarázatokra, ill. ezek megértésére. A szimbólumok figyelmeztetéseit önmagukban nem hárítják el a veszélyeket. Az utasítások és figyelmeztetések nem helyettesítik a megfelelő balesetmegelőző intézkedéseket.

▲ FIGYELMEZTETÉS: A gép használata előtt feltétlenül olvassa el és értse meg a jelen kezelési útmutatóban található valamennyi biztonsági utasítást, valamint a „VESZÉLY”, „FIGYELMEZTETÉS” és „FIGYELEM” biztonsági figyelmeztető szimbólumokat is. Az alább felsorolt utasítások be nem tartása áramütést, tűzveszélyt és/vagy súlyos személyi sérülést idézhet elő.

SZIMBÓLUM JELENTÉSE

▲ BIZTONSÁGI SZIMBÓLUM: A következőket jelöli: **VESZÉLY**, **FIGYELMEZTETÉS** vagy **FIGYELEM**, és más szimbólumokkal vagy rajzokkal együtt használható.

BIZTONSÁGI ELŐÍRÁSOK

Ezen az oldalon olyan biztonsági szimbólumok láthatók és olvashatók, amelyek megjelenhetnek a terméken. Az összeszerelés vagy működtetés előtt olvassa el, értse meg és tartsa be a gép minden utasítását.

HU



Biztonsági figyelmeztetés



Mindig viseljen hallásvédőt a termék működtetése közben.



Minden nézelődő legalább 15 m távolságban legyen.



Ez a termék megfelel az Egyesült Királyság hatályos jogszabályainak.



Egyenáram



Védelem a vízsugarak ellen



Feszültség



Celsius



Newton



A sérülések kockázatának csökkentése érdekében a felhasználónak a termék használata előtt el kell olvasnia a használati útmutatót.



Mindig viseljen védőszemüveget vagy oldalsó védőlemezzel ellátott védőszemüveget és teljes védőálarcot a termék működtetése közben.



A termék megfelel az érvényes EK irányelveknek.



Az elhasználdott elektromos termékek nem helyezhetők a háztartási hulladékok közé. Vigye hivatalos újrahasznosító telephelyre.



Bluetooth® Symbol



Garantált hangteljesítményszint. Környezetre ható zajkibocsátás a Európai Közösség irányelve szerint.



Kilogramm




Négyzetméter óránként



Méter/másodperc

JELLEMZŐK

Feszültség	56 V 	
Maximális légmennyiség	1360 m ³ /óra	
Maximális levegő sebesség	85 m/s	
Maximális fűvőerő	26 N	
Hozzávetőleges futási idő	Két 6,0 Ah-s akkumulátoregységgel	24 perc (Turbo)
		32 perc (Nagy sebesség)
		120 perc (Kis sebesség)
	Két 7,5 Ah-s akkumulátoregységgel	30 perc (Turbo)
		40 perc (Nagy sebesség)
		150 perc (Kis sebesség)
	Két 10 Ah-s akkumulátoregységgel	40 perc (Turbo)
		52 perc (Nagy sebesség)
		200 perc (Kis sebesség)
	Két 12 Ah-s akkumulátoregységgel	48 perc (Turbo)
		63 perc (Nagy sebesség)
Bluetooth működési frekvenciasáv	2400 - 2438 MHz	
Bluetooth maximális átviteli teljesítmény	5 dBm	
Súly (akkumulátoregység nélkül)	7,7 kg	
Javasolt üzemi hőmérséklet	-15°C - 40°C	
Javasolt tárolási hőmérséklet	-20°C - 70°C	
Mért hangteljesítményszint L _{WA}	97 dB(A) K=1,1 dB(A)	
Hangnyomásszint a kezelő fülénél L _{PA}	82 dB(A) K=3 dB(A)	
Garantált hangteljesítményszint L _{WA} (a 2000/14/EK szerint mérve)	98 dB(A)	
Vibráció a _n	0,35 m/s ² K=1,5 m/s ²	

- A névleges rezgési összérték mérése standard bevizsgálási módszerrel történt, és használatával a szerszámok egymással összehasonlíthatók;
- A névleges rezgési összérték a kockázat előzetes felméréséhez is felhasználható.

MEGJEGYZÉS: A rezgés-kibocsátás az elektromos szerszám aktuális használata közben eltérhet attól a névleges értéktől, amellyel a szerszámot használják; a kezelő védelme érdekében a használatnak kesztyűt és hallásvédőt kell használnia működtetés közben.

A CSOMAG TARTALMA (A1 ÁBRA)

LEÍRÁS

ISMERJE MEG A LOMBFÚVÓT (A1 ábra)

1. Állítható tartó hám
2. Lombfúvó cső tároló gomb
3. Háti lemez
4. Szabályozó fogantyú
5. Kúpos szűrőfej
6. Lombfúvó cső
7. Szabályozócső
8. Fűvőkák
9. Levegőbemenet
10. Segédfogantyú
11. Elektromos érintkezők
12. Zár
13. Akkumulátorkioldó gombok
14. Markolat
15. Sebességgröggitő gomb
16. LCD kijelző
17. Turbo gomb
18. Levegősebesség kioldó
19. Csőakasztó horony
20. Gyorskioldó karok
21. Bluetooth-jelző
22. Üzemanyagmérő
23. Ventilátor ikon
24. Turbó jelzőlámpa
25. Légsebesség-jelző
26. Sebességgröggités ikon
27. Akkumulátor ikon

ÖSSZESZERELÉS

▲ FIGYELMEZTETÉS: Ha bármely alkatrész sérült vagy hiányzik, akkor addig ne használja a terméket, amíg az alkatrész(ek) cseréje meg nem történik. Sérült vagy hiányzó alkatrészekkel történő használat súlyos személyi sérülést okozhat.

⚠ FIGYELMEZTETÉS: Ne próbálja megváltoztatni a terméket, és ne készítsen hozzá olyan tartozékokat, amelyek nem javasoltak ehhez a lombfűvőhöz. Bármilyen módosítás vagy változtatás helytelen használatnak minősül, és veszélyes feltételeket teremthet, amely súlyos személyi sérüléssel végződhet.

⚠ FIGYELMEZTETÉS: Az akár súlyos személyi sérülést is okozó, véletlenszerű indítás elkerülése érdekében mindig vegye ki az akkumulátoregységet a szerszámból, amikor összeszereli az alkatrészeket.

A LOMBFŰVŐ CSÖVEK FELHELYEZÉSE

A szabályozócső csatlakoztatása a haranghoz (D ábra)

1. Illessze a szabályozócső felső végét a fűvókába, ameddig csak lehet (B1 ábra).
2. Szorosan húzza meg a csavart a fűvókához rögzített szorítógallérban (B2 ábra).

B1-1	Fűvókák	B1-2	Rögzítógallér
B1-3	Felső vég	B1-4	Szabályozócső
B2-1	Csavar		

A fűvócső csatlakoztatása a szabályozócsőhöz (D ábra)

1. Lazítsa meg és távolítsa el a gyorskioldó kart és a szárnyas anyát a fűvócsőre rögzített csőbilincsegről (C1 ábra).
2. Igazítsa a fűvócső hornyát a szabályozócsővön lévő bordához, és csúsztassa a fűvócsövet a szabályozócsővön, ameddig csak lehet (C2 ábra).
3. Illessze be a gyorskioldó kar csapját, és zárja a kart a csőbilincse (C3 ábra).
4. Húzza meg a szárnyas anyát a csőbilincs rögzítéséhez (C4 ábra).

C1-1	Lombfűvő cső	C1-2	Csőbilincs
C1-3	Gyorskioldó kar	C1-4	Szárnyas anya
C2-1	Lombfűvő cső	C2-2	Szabályozócső
C2-3	Horony	C2-4	Perem
C3-1	Csap		

A kúpos szórófej csatlakoztatása a fűvócsőhöz

1. Igazítsa a szórófejen lévő hornyot a csővön lévő reteszhez. Nyomja a szórófejet a csőre, amíg biztonságosan a helyére nem pattan (D1 ábra).

2. **A szórófej eltávolításához** nyomja meg és tartsa lenyomva a szórófej kioldó gombját a retesz kioldásához, majd egyenesen húzza le a szórófejet a lombfűvő csőről (D2 ábra).

D1-1	Szórófej kioldó gomb	D1-2	Zár
------	----------------------	------	-----

HASZNÁLAT

⚠ FIGYELMEZTETÉS: Ügyeljen rá nehogy a termékkel szerzett jártassága miatt óvatlanná váljon. Emlékezzen arra, hogy a másodperc töredéke alatt történő óvatlanság súlyos sérülést okozhat.

⚠ FIGYELMEZTETÉS: Ne használjon a termék gyártója által nem javasolt tartozékokat. A nem javasolt tartozékok használata súlyos személyi sérüléseket okozhat.

⚠ FIGYELMEZTETÉS: Mindig vegye ki az akkumulátorokat a termékből, amikor összeszereli az alkatrészeket, beállításokat, tisztítást végez, vagy amikor nem használja. Ha kiveszi az akkumulátoregységet, azzal megelőzi a véletlenszerű indítást, amely súlyos személyi sérüléseket okozhat.

Minden használat előtt ellenőrizze a teljes terméket sérülések, hiányzó vagy laza alkatrészek, pl. csavarok, anyák, alátétek, sapkák stb. szempontjából. Biztonságosan húzzon meg minden rögzítőt és sapkát, és ne használja a terméket, amíg a sérült vagy hiányzó alkatrészeket ki nem cserélték.

HU

ALKALMAZÁS

A terméket az alább felsorolt célokra használhatja:

- A levelek és különféle kerti hulladékok eltakarítása a gyepekről és a mulcságyakról.
- Kemény felületek, pl. úttestek és járdák megtisztítása.
- A burkolatok és úttestek tisztán tartása levelektől és tülevelektől.

MEGJEGYZÉS: A szerszámot csak az előírt célokra használja. Bármilyen más használat helytelen használatnak minősül.

AZ AKKUMULÁTOREGYSÉG BERAKÁSA/KIVÉTELE

Csak az A2 ábrán felsorolt EGO akkumulátoregységeket és töltőket használja.

További részletekért tekintse meg a megfelelő akkumulátoregységek és töltők kézikönyvét.

Az első használat előtt teljesen töltsse fel

MEGJEGYZÉS: A lehető legjobb teljesítmény érdekében javasoljuk az EGO 56V BA3360T (6,0 Ah) vagy más, magasabb Ah besorolású EGO 56 V akkumulátoregység használatát.

A fúvó két aktív akkumulátor-csatlakozóval rendelkezik, amelyek az akkumulátor-csatlakozóház bal és jobb oldalán találhatóak.

MEGJEGYZÉS: A fúvó egy vagy két akkumulátorral is működhet. A két akkumulátor használata hosszabb üzemidőt és a PEAK POWER™ technológia által kezelt hatékony energiafelvételt biztosít.

Amikor az akkumulátoregységeket a lombfúvó lemezen 1 vagy 2 jelzéssel ellátott megfelelő akkumulátor-nyílásokba helyezi, és a fúvó bekapcsol, a megfelelő akkumulátor ikon világít az LCD-képernyőn (E1 ábra).

Csatlakoztatás (E2 ábra)

A behelyezéshez illesse az akkumulátor bordázatát a szerelőnyílásokhoz, és nyomja le az akkumulátoregységet, amíg kattantást nem hall. Helyezze be a másik akkumulátort.

Leválasztás

Oldja ki az akkumulátorkioldó gombot, és húzza ki az akkumulátoregységet.

FIGYELMEZTETÉS: Mindig ügyeljen a lába alatti területre, a gyermekekre és a kisállatokra, amikor megnyomja az akkumulátor-kioldó gombot. Súlyos sérülést okozhat, ha az akkumulátoregység leesik. SOHA ne vegye ki az akkumulátoregységet, ha magas helyen van.

E1-1	Akkumulátor-csatlakozók száma	E1-2	LCD kijelző
E1-3	Akkumulátor ikon	E2-1	Akkumulátor borda
E2-2	Szerelőnyílás	E2-3	Akkumulátor kioldógomb

A HÁTI LOMBFÚVÓ POZICIONÁLÁSA

FIGYELMEZTETÉS: Megfelelően öltözzön fel a sérülések kockázatának csökkentése érdekében, amikor a gépet használja. Ne viseljen laza ruházatot vagy ékszereket. Viseljen szem-/fülvédőt. Viseljen erős, hosszú szárú nadrágot, cipőt és kesztyűt. Ne viseljen rövidnadrágot, szandált, és ne járjon meztláb.

A lombfúvó használata előtt győződjön meg arról, hogy a kezelő szemvédőt és megfelelő ruházatot visel, és képes a biztonságos és kiegyensúlyozott lábtartásra.

A tartó hámba beállítás

1. Dugja a karjait a szíjakon keresztül, hogy a lombfúvót a hátra helyezze.
2. Átmenetileg állítsa be a vállszíjakat kényelmes helyzetbe (F1 ábra), közben a könyöke kényelmesen legyen.
3. Pattintsa be a mellkasi csatot, és szükség esetén állítsa be a mellkasi heveder hosszát (F2 ábra).
4. Pattintsa be a derékcstatot, és állítsa be a derékpánt hosszát úgy, hogy a lombfúvó biztonságosan támaszkodjon a csipőjén (F3 és F4 ábra).

MEGJEGYZÉS: A lombfúvó ne legyen túl magasán a hátán; legyen közelebb a csipőjéhez, mint a vállához.

FIGYELMEZTETÉS: Vészhelyzet esetén azonnal engedje ki a mellkasi és a derékcstatokat, hogy mindkét oldalon levegye a lombfúvó hevederét. Ez egy gyors kioldási módszer.

5. Úgy állítsa be a vállszíjakat, hogy biztonságosak és kényelmesek legyenek. Gondoskodjon arról, hogy a lombfúvó biztonságosan legyen a hátán, a szíj a szíjak megtartsák, és mozgás közben ne keljen miattuk felesleges mozgást végezni (F5 ábra).
6. A felesleges szíjat tekerje a derekán a két oldalon lévő gumiszalagba (F6 ábra).
7. A hátra helyezett lombfúvó levételéhez csak nyomja meg a derék- és mellkasi csatokat a kioldásukhoz, és tegye le a lombfúvót (F7 ábra).

F1-1	Vállszíj	F2-1	Mellkasi csat
F3-1	Derékcstat	F6-1	Elasztikus
F6-2	Extra hosszúságú szíj		

A szabályozó fogantyú beállítása

1. Engedje ki a gyorskioldó kart, hogy a szabályozó fogantyút szükség szerint előre vagy hátra tudja mozgatni (G1 és G2 ábra), majd kapcsolja be a gyorskioldó kart a szabályozó fogantyú rögzítéséhez.
2. El is fordíthatja a fogantyút, hogy kényelmes legyen (G3 ábra).

G1-1	Szabályozó fogantyú	G1-2	Gyorskioldó kar
------	---------------------	------	-----------------

A szabályozócső hosszának beállítása (H1, H2 ábra)

1. Engedje ki a gyorskioldó kart.
2. Vigye a fúvócsövet a kényelmes működési helyzetbe a beállítási zónán belül (H1 ábra).

3. A fűvécso rögzítéséhez kapcsolja be a gyorskioldó kart (H2 ábra).

H1-1	Lombfűvő cső	H1-2	Gyorskioldó kar
H2-1	Beállítási zóna		

A LOMBFŰVŐ ELINDÍTÁSA/LEÁLLÍTÁSA

MEGJEGYZÉS: Előfordulhat, hogy a lombfűvő nem indul el megfelelően, ha az akkumulátoregység vagy a lombfűvő hőmérséklete -15 °C vagy annál alacsonyabb. Ebben az esetben vegye ki az akkumulátoregységet a lombfűvőből, és hagyja, hogy az akkumulátoregység és a fűvő legalább 10 percig beltérben felmelegedjen. Helyezze vissza az akkumulátoregységet, és próbálkozzon újra.

Levegősebesség kioldó (I1, I2 ábra)

- Nyomja le a levegősebesség kioldót a lombfűvő bekapcsolásához, ekkor az LCD-képernyőn megjelenik az üzemanyag-mérő, az akkumulátor ikonja, a levegősebesség-jelző.

MEGJEGYZÉS: Az üzemanyag-mérő LCD-képernyőn látható 1 LED-je villog, ha az akkumulátor töltöttsége alacsony.

- A lombfűvő légsebessége az állítható sebességszabályozó ravasszal vezérelhető. A kioldóra kifejtett nagyobb nyomás nagyobb fűvősebességet eredményez; a kioldóra kifejtett kisebb nyomás kisebb fűvősebességet eredményez. A sebességet az aktuális feladat elvégzésének megfelelően állítsa be. A megfelelő levegősebesség-jelző jelenik meg az LCD-képernyőn.
- Engedje el a levegősebesség kioldó a lombfűvő kikapcsolásához. Az LCD-képernyő a ravasz felengedése után bizonyos időn belül kikapcsol.

Turbó üzemmód

Miközben a levegősebesség kioldó gombot lenyomva tartja, nyomja meg a turbó gombot a légáram maximális sebességre történő növeléséhez (I1 ábra). Az LCD-képernyőn világítani fog a turbójelző és a ventilátor ikonja (I3 ábra).

MEGJEGYZÉS: A turbó gomb felengedésekor a lombfűvő visszaáll az előző sebességre.

Sebességrogzítés üzemmód

A sebességzár a fűvő működtetésére használható a levegősebesség kioldó folyamatos nyomása nélkül.

- Nyomja le a levegősebesség kioldót, amíg el nem éri a kívánt sebességet (I1 ábra).
- Nyomja meg a sebességrogzítés gombot. Az LCD-képernyőn világítani fog a sebességzár ikon (I4 ábra).

3. Ezután engedje el a levegősebesség kioldót, a lombfűvő továbbra is "kívánt" sebességgel fog működni.

MEGJEGYZÉS: Ha megnyomja a turbó gombot a sebességrogzítő üzemmódban, a levegősebesség a maximális szinten rögzíthető. A turbó gomb ismételt megnyomásával a lombfűvő visszaáll a korábbi sebességre.

4. A sebességzár feloldásához nyomja meg újra a sebességzár gombot. A sebességrogzítés ikon eltűnik az LCD-képernyőről, a lombfűvő pedig kikapcsol.

I1-1	Turbo gomb	I1-2	Sebességrogzítő gomb
I1-3	Levegősebesség kioldó	I2-1	Üzemanyagmérő
I2-2	Légsebesség-jelző	I2-3	Akkumulátor ikon
I3-1	Ventilátor ikon	I3-2	Turbó jelzőlámpa
I4-1	Sebességrogzítés ikon		

KOMMUNIKÁCIÓS TECHNOLÓGIA

A csatlakoztatott termékek és szolgáltatások teljes választékáról, valamint a csatlakoztatási utasításokról az alábbi QR-kód beolvasásával vagy a következő weboldalon tájékozódhat:

www.egopowerplus.eu/connect



HU

TIPPEK A LOMBFŰVŐ HASZNÁLATÁHOZ

- Ahhoz, hogy a hulladék ne szóródjon szét, a hulladék halom külső szélein fújjon. Soha ne fújjon közvetlenül a halom középpontjába.
- A hangerősség csökkentése érdekében, korlátozott számú felszerelést használjon egyszerre.
- Lombfűvás előtt használja a gereblyét és seprűt a hulladék fellazításához. Poros körülmények között nedvesítse meg a felületet, ha van víz a közelben.
- Ügyeljen a gyermekekre, állatokra, nyitott ablakokra, vagy frissen lemosott autókra, és a hulladékot biztonságosan más irányba fújja.
- A lombfűvő vagy más felszerelés használata után tisztítsa meg! Megfelelően ártalmatlanítsa a hulladékot.

KARBANTARTÁS

▲ FIGYELMEZTETÉS: Szervizeléskor csak azonos cserealkatrészeket használjon. Bármilyen más alkatrész használata veszélyt okozhat, vagy megrongálhatja a terméket. A biztonságosság és megbízhatóság biztosítása érdekében minden javítást szakképzett szerviztechnikusnak kell elvégeznie.

▲ FIGYELMEZTETÉS: A súlyos személyi sérülések elkerülése érdekében mindig vegye ki az akkumulátoregységet a termékből tisztítás vagy karbantartás alatt.

ÁLTALÁNOS KARBANTARTÁS

A műanyag alkatrészek tisztításához ne használjon oldószereket. A legtöbb műanyag különböző vegyi oldószerek hatására károsodik, ezek megrongálhatják őket. Használjon tiszta ruhát a szennyeződés, por, olaj, zsír, stb. eltávolításához.

▲ FIGYELMEZTETÉS: Fékolaj, üzemanyag, petróleum alapú termékek, behatoló olajok stb. soha ne érintkezzenek a műanyag alkatrészekkel. A vegyszerek megrongálhatják, gyengíthetik vagy megtámadhatják a műanyagot, ezáltal súlyos személyi sérülést okozhatnak.

▲ FIGYELMEZTETÉS: A tűz, személyi sérülés és rövidzárlat miatti termékkárosodás kockázatának csökkentése érdekében soha ne merítse a gépet, az akkumulátoregységet vagy a töltőt folyadékba, és ne engedje, hogy folyadék folyjon a belsejükbe. A maró vagy vezetőképes folyadékok, mint például a tengervíz, bizonyos ipari vegyi anyagok, fehérítőszer vagy fehérítőt tartalmazó termékek stb. rövidzárlatot okozhatnak.

TÁROLÁS

- Vegye ki az akkumulátoregysége(ke)t a lombfúvóból.
- Tisztítson meg minden idegen anyagot a lombfúvó levegőbemeneteiből.
- Illessze a lombfúvó cső tárológombját a csőakasztó horonyba, és akassza a lombfúvó csövet az akkumulátortartó burkolatára (J1 és J2 ábra).
- Gyermekek számára nem elérhető, zárt helyen tárolja. Tartsa távol maró hatású szerektől, például kerti vegyszerektől, és jégmentesítő sőtől.

J1-1	Lombfúvó cső tároló gomb	J1-2	Csőakasztó horony
------	--------------------------	------	-------------------

Környezetvédelem



Ne dobja az elektromos felszerelést, az elhasznált akkumulátort és a töltőt a háztartási hulladékok közé! Vigye hivatalos újrahasznosító telephelyre, és tegye hozzáférhetővé a szelektív gyűjtéshez. Az elektromos eszközöket megfelelő környezetbarát újrahasznosító üzembe kell vinni.

HIBAELHÁRÍTÁS

PROBLÉMA	OK	MEGOLDÁS
A lombfűvő nem működik.	<ul style="list-style-type: none"> ■ Az akkumulátoregység nincs csatlakoztatva a lombfűvőbe. 	<ul style="list-style-type: none"> ■ Csatlakoztassa az akkumulátoregységet a lombfűvőhöz.
	<ul style="list-style-type: none"> ■ Nincs elektromos kapcsolat a lombfűvő és az akkumulátor között. 	<ul style="list-style-type: none"> ■ Vegye ki az akkumulátoregységet, ellenőrizze a csatlakozásokat, és helyezze vissza az akkumulátoregységet.
	<ul style="list-style-type: none"> ■ Az akkumulátoregység lemerült. 	<ul style="list-style-type: none"> ■ Töltse fel az akkumulátoregységet.
	<ul style="list-style-type: none"> ■ Az akkumulátoregység vagy a lombfűvő túl forró. 	<ul style="list-style-type: none"> ■ Hagyja kihűlni az akkumulátoregységet és a lombszívót 67 °C alatti hőmérsékletre.
	<ul style="list-style-type: none"> ■ Levegősebesség szabályozó ravasz. 	<ul style="list-style-type: none"> ■ A javításhoz forduljon az EGO ügyfélszolgálatához.
	<ul style="list-style-type: none"> ■ Az akkumulátoregység vagy a lombfűvő túl hideg. 	<ul style="list-style-type: none"> ■ Vegye ki az akkumulátoregységet, hagyja, hogy az akkumulátoregység és a lombfűvő beltérben melegedjen fel. Javasoljuk, hogy töltsen fel teljesen az akkumulátoregységet, és indítsa el a lombfűvőt alacsony fordulatszámon a Turbo üzemmód aktiválása nélkül.
A sebességrögztítés üzemmód nem kapcsolható be vagy ki.	<ul style="list-style-type: none"> ■ Sérült sebességrögztítő gomb. 	<ul style="list-style-type: none"> ■ A javításhoz forduljon az EGO ügyfélszolgálatához.
A levegő sebessége észrevehetően csökken.	<ul style="list-style-type: none"> ■ Az akkumulátor töltöttsége alacsony. 	<ul style="list-style-type: none"> ■ Töltse fel az akkumulátoregységet.
	<ul style="list-style-type: none"> ■ A motorventilátor túlzott kopása. 	<ul style="list-style-type: none"> ■ Javítás céljából forduljon az EGO szervizhez.
	<ul style="list-style-type: none"> ■ A levegőbemenetet hulladék tömíti el. 	<ul style="list-style-type: none"> ■ Vegye ki az akkumulátoregységet, majd távolítsa el a törmeléket.
Az LCD képernyő nem működik megfelelően.	<ul style="list-style-type: none"> ■ Az LCD-képernyő vagy a vezetékcsatlakozás sérült. 	<ul style="list-style-type: none"> ■ Javítás céljából forduljon az EGO szervizhez.
Az üzemanyag-mérő LCD-képernyőn látható 1 LED-je villog.	<ul style="list-style-type: none"> ■ Az akkumulátor töltöttsége alacsony. 	<ul style="list-style-type: none"> ■ Töltse fel az akkumulátoregységet.

HU

GARANCIA

EGO GARANCIÁLIS FELTÉTELEK

Kérjük, látogasson el az egopowerplus.eu oldalra, ahol megtalálja a részletes EGO garanciális feltételeket.

CITIȚI TOATE INSTRUCȚIUNILE!



CITIȚI MANUALUL DE INSTRUCȚIUNI

⚠️ AVERTISMENT: Pentru siguranța și fiabilitatea produsului, toate reparațiile trebuie efectuate de către un tehnician de service autorizat.

SIMBOLURI PRIVIND SIGURANȚA

Scopul simbolurilor privind siguranța este să vă atragă atenția asupra pericolelor posibile. Simbolurile privind siguranța și explicațiile furnizate cu acestea merită atenția și înțelegerea dumneavoastră. Avertizările simbolurilor nu elimină, prin ele însele, niciun pericol. Instrucțiunile și avertizările pe care le oferă acestea nu pot înlocui măsurile adecvate de prevenire a accidentelor.

⚠️ AVERTISMENT: Asigurați-vă că ați citit și înțelegiți toate instrucțiunile privind siguranța din acest Manual de utilizare, inclusiv toate simbolurile de alertă privind siguranța precum „PERICOL”, „AVERTISMENT” și „ATENȚIE” înainte de a utiliza această mașină. Nerespectarea tuturor instrucțiunilor enumerate mai jos poate duce la electrocutare, incendiu și/sau vătămări corporale grave.

SEMNIFICAȚIA SIMBOLURILOR

⚠️ SIMBOL DE AVERTIZARE PRIVIND SIGURANȚA: Indică PERICOL, AVERTISMENT sau ATENȚIE, poate fi utilizat împreună cu alte simboluri sau pictograme.

INSTRUCȚIUNI PRIVIND SIGURANȚA

Această pagină descrie simbolurile de siguranță ce pot apărea pe acest produs. Citiți, înțelegiți și respectați toate instrucțiunile de pe mașină înainte de asamblare și utilizare.

RO



Alertă privind siguranța



Pentru a reduce riscul de vătămare, utilizatorul trebuie să citească și să înțeleagă manualul de instrucțiuni înainte de a utiliza acest produs.



Purtați întotdeauna echipament de protecție auditivă când utilizați acest produs.



Purtați întotdeauna ochelari de protecție sau ochelari de protecție cu apărători laterale și o vizieră facială completă când utilizați acest produs.



Țineți toți trecătorii la o distanță de cel puțin 15 m.



Acest produs este în conformitate cu directivele europene aplicabile.



Acest produs este în conformitate cu legislația aplicabilă din Marea Britanie.



Deșeurile produselor electrice nu trebuie să fie eliminate împreună cu deșeurile menajere. Predați-le unui punct de reciclare autorizat.



Curent continuu



Bluetooth® Symbol



IPX5 Protecție împotriva jeturilor de apă



Nivel de putere acustică garantat. Emisii sonore în mediul înconjurător conform Directivei comunitare europene.

V Tensiune
 °C Celsius
 N Newton

kg Kilograme
 m³/h Metru cub pe oră
 m/s Metru pe secundă

SPECIFICAȚII

Tensiune	56 V	
Volumul maxim de aer	1360 m ³ /h	
Viteză maximă aer	85 m/s	
Forța maximă de suflare	26 N	
Timp aproximativ de rulare	Cu două pachete de baterii de 6,0 Ah	24 min. (Turbo)
		32 min. (Viteză mare)
		120 min. (Viteză mică)
	Cu două pachete de baterii de 7,5 Ah	30 min. (Turbo)
		40 min. (Viteză mare)
		150 min. (Viteză mică)
	Cu două pachete de baterii de 10 Ah	40 min. (Turbo)
		52 min. (Viteză mare)
		200 min. (Viteză mică)
	Cu două pachete de baterii de 12 Ah	48 min. (Turbo)
		63 min. (Viteză mare)
		240 min. (Viteză mică)
Bandă de frecvență de operare Bluetooth	2400 - 2438 MHz	
Puterea maximă de transmisie Bluetooth	5 dBm	
Greutate (fără set de acumulatori)	7,7 kg	
Temperatură de funcționare recomandată	-15°C - 40°C	
Temperatură de depozitare recomandată	-20°C - 70°C	
Nivel de putere sonoră măsurat L _{WA}	97 dB(A) K=1,1 dB(A)	
Nivel de presiune sonoră la urechea operatorului L _{PA}	82 dB(A) K=3 dB(A)	
Nivelul de putere acustică garantat L _{WA} (măsurat în conformitate cu 2000/14/CE)	98 dB(A)	
Vibrații a _n	0,35 m/s ² K=1,5 m/s ²	

- Valoarea totală declarată a vibrațiilor a fost măsurată în conformitate cu o metodă standard de testare și poate fi utilizată pentru compararea sculelor între ele;
- Valoarea totală declarată poate fi utilizată în evaluarea preliminară a expunerii.

OBSERVAȚIE: Vibrațiile emise în timpul utilizării efective a sculei electrice pot diferi față de valoarea celor declarate pentru scula utilizată; Pentru protejarea operatorului, utilizatorul trebuie să poarte mănuși și protecții auditive în timpul utilizării efective a produsului.

LISTA COMPONENTELOR (FIG. A1)

DESCRIEREA

DESCRIEREA SUFLANTEI (Fig. A1)

- Ham ajustabil de suport
- Buton de stocare tuburi suflantă
- Suport de spate
- Mâner de control
- Duză conică
- Tub suflantă
- Mâner de control Tub
- Burdof
- Admisie de aer
- Mâner de susținere
- Contacte electrice
- Zăvor
- Butoane de eliberare a acumulatorului
- Mâner
- Butonul de blocare a vitezei
- Ecran LCD
- Buton Turbo
- Trăgaci viteză aer
- Canelură de suspendare tub
- Manete de eliberare rapidă
- Indicator Bluetooth
- Indicator de alimentare

RO

23. Pictograma ventilator
24. Indicator Turbo
25. Indicator de viteză a aerului
26. Pictograma blocare viteză
27. Pictogramă baterie

ASAMBLARE

⚠️ AVERTISMENT: Dacă unele piese sunt deteriorate sau lipsesc, nu utilizați acest produs până la înlocuirea pieselor. Utilizarea acestui produs cu piese deteriorate sau lipsă s-ar putea solda cu vătămări grave.

⚠️ AVERTISMENT: Nu încercați să modificați acest produs sau să creați accesorii nerecomandate pentru această suflantă. Orice astfel de modificare sau schimbare reprezintă o utilizare necorespunzătoare și se poate solda cu condiții periculoase care pot conduce la posibile vătămări grave.

⚠️ AVERTISMENT: Pentru a preveni pornirea accidentală care ar putea cauza vătămări personale grave, întotdeauna scoateți setul de acumulatori din sculă când asamblați componente.

ASAMBLAREA TUBURILOR SUFLANTEI

Conectarea tubului mânerului de control la burduf

1. Introduceți capătul superior al tubului mânerului de control în burduf până la capăt (Fig. B1).
2. Strângeți bine șurubul în gulerul de prindere fixat pe burduf (Fig. B2).

B1-1	Burduf	B1-2	Manșon de prindere
B1-3	Capătul superior	B1-4	Mâner de control Tub
B2-1	Șurub		

Conectarea tubului suflantei la tubul mânerului de control

1. Slăbiți și îndepărtați maneta de eliberare rapidă și piulița în formă de aripă de la ansamblul de fixare a tubului fixat pe tubul suflantei (Fig. C1).
2. Aliniați canelura din tubul suflantei cu nervura de pe tubul mânerului de comandă, glisați tubul suflantei peste tubul mânerului de comandă până la capăt (Fig. C2).
3. Introduceți știftul manetei de eliberare rapidă și închideți maneta pe clema tubului (Fig. C3).
4. Strângeți piulița cu aripi pentru a fixa clema tubului (Fig. C4).

C1-1	Tub suflantă	C1-2	Clema tubului
C1-3	Manetă de eliberare rapidă	C1-4	Piuliță fluture
C2-1	Tub suflantă	C2-2	Mâner de control Tub
C2-3	Canelură	C2-4	Proeminență
C3-1	Pin		

Conectarea duzei conice la tubul suflantei

1. Aliniați canelura din duză cu încuietorea de pe tub. Împingeți duza peste tub până când se fixează bine în poziție (Fig. D1).
2. **Pentru a scoate duza**, apăsați și mențineți apăsat butonul de eliberare a duzei pentru a decupla zăvorul, apoi trageți duza direct din tubul suflantei (Fig. D2).

D1-1	Buton de eliberare a duzei	D1-2	Zăvor
------	----------------------------	------	-------

FUNȚIONARE

⚠️ AVERTISMENT: Nu permiteți ca familiarizarea cu acest produs să vă determine să fiți neatent. Amintiți-vă că o fracțiune de secundă de neatentie este suficientă pentru a provoca vătămări grave.

⚠️ AVERTISMENT: Nu utilizați nicio componentă sau accesoriu care nu a fost recomandat de producătorul acestui produs. Utilizarea de atașamente sau accesorii nerecomandate poate duce la vătămări corporale grave.

⚠️ AVERTISMENT: Întotdeauna scoateți setul de acumulatori din produs înainte de a asambla componente, efectua reglaje, curăța sau când produsul nu este utilizat. Îndepărtarea setului de acumulatori va preveni pornirea accidentală care poate cauza răni personale grave.

Înainte de fiecare utilizări, inspectați întregul produs pentru depistarea defectelor, componentelor lipsă sau slăbite precum șuruburi, piulițe, bolturi, capace, etc. Strângeți bine toate elementele de prindere și capacele și nu utilizați acest produs dacă piesele lipsă sau defecte nu sunt înlocuite.

APLICARE

Puteți utiliza acest produs în scopurile menționate mai jos:

- Curățarea frunzelor și a resturilor diverse din curte din peluze și paturi de mulci.
- Curățarea suprafețelor dure precum căi de acces și alei.
- Îndepărtarea frunzelor și a acelor de pin de pe terase și căi de acces.

OBSERVAȚIE: Scula trebuie utilizată numai în scopul pentru care a fost proiectată. Orice altă utilizare este considerată a fi caz de utilizare necorespunzătoare.

ATAȘAREA/DETAȘAREA SETULUI DE ACUMULATORI

Utilizați numai seturile de acumulatori EGO și încărcătoarele prezentate în Fig. A2.

Pentru mai multe detalii, consultați manualele corespunzătoare ale bateriilor și încărcătoarelor.

Încărcați acumulatorul complet înainte de prima utilizare.

OBSERVAȚIE: Pentru cele mai bune performanțe, recomandăm utilizarea pachetului de baterii EGO 56V BA3360T (6,0 Ah) sau a altor pachete de baterii EGO 56V cu o capacitate mai mare de Ah.

Suflanta are două porturi active pentru baterii, situate în partea stângă și dreaptă a carcasei portului bateriei.

NOTĂ: Suflanta poate funcționa cu una sau două baterii. Utilizarea a două baterii vă oferă un timp de funcționare mai lung și o extragere eficientă a puterii gestionate de tehnologia PEAK POWER™.

Când acumulatorii sunt introduși în porturile corespunzătoare ale bateriei marcate cu 1 sau 2 pe placa rucsacului și suflanta este pornită, pictograma corespunzătoare a bateriei se va aprinde pe ecranul LCD (Fig. E1).

Pentru atașare (Fig. E2)

Aliniați nervurile bateriei cu fantele de montare din una dintre ele și apăsați pachetul de baterii în jos până când auziți un "clic". Atașați cealaltă baterie.

Pentru detașare

păsați butonul de detașare al setului de acumulatori și scoateți setul de acumulatori

⚠️ AVERTISMENT: Întotdeauna accordați atenție amplasamentului picioarelor dumneavoastră, a copiilor sau animalelor de companie când apăsați butonul de detașare al acumulatorului. În cazul căderii bateriei, pot rezulta răni grave. **NICIODATĂ** nu scoateți bateria atunci când vă aflați într-o locație înaltă.

E1-1	Numărul porturilor bateriei	E1-2	Ecran LCD
E1-3	Pictogramă baterie	E2-1	Locaș acumulator
E2-2	Fantă de montare	E2-3	Buton de eliberare a acumulatorului

POZIȚIONAREA SUFLANTEI CU SUPT DE SPATE

⚠️ AVERTISMENT: Îmbrăcați-vă corespunzător pentru a reduce riscul de vătămare când utilizați această mașină. Nu purtați haine largi sau bijuterii. Purtați echipament de protecție oculară și auditivă. Purtați pantaloni lungi rezistenți, cizme și mănuși. Nu purtați pantaloni scurți, sandale sau să stați desculț.

Înainte de a utiliza suflanta rucsacului, asigurați-vă că operatorul poartă echipament de protecție a ochilor și îmbrăcăminte adecvată și poate menține un picior sigur și echilibrat.

Pentru ajustarea harnașamentului de suport

1. Introduceți-vă brațele prin curelele hamului pentru a vă instala suflanta pe spate.
2. Reglați temporar ambele curele de umăr în poziții confortabile (Fig. F1), asigurându-vă că, cotul vă este confortabil.
3. Prindeți catarama toracică și reglați lungimea curelei toracice dacă este necesar (Fig. F2).
4. Fixați catarama taliei și reglați lungimea curelei de talie, astfel încât rucsacul să fie susținut în siguranță de șolduri (Fig. F3 și F4).

NOTĂ: Rucsacul nu trebuie să stea prea sus pe spate; trebuie să fie poziționat mai aproape de șolduri decât de umeri.

⚠️ AVERTISMENT: Când apare o urgență, eliberați imediat cataramele pieptului și taliei pentru a scoate cureaua rucsacului de pe fiecare parte. Aceasta este o metodă de eliberare rapidă.

5. Reglați chingile de umăr pentru siguranță și confort. Asigurați-vă că rucsacul se așează bine pe spate, cu greutatea susținută de cureaua de talie și fără mișcări excesive atunci când vă deplasați (Fig. F5).
6. Introduceți orice lungime suplimentară a curelei în jurul taliei în elasticul de pe ambele părți (Fig. F6).
7. Pentru a desprinde rucsacul de pe spate, apăsați cataramele de la talie și piept pentru a le elibera și coborâți suflanta (Fig. F7).

F1-1	Curea de umăr	F2-1	Cataramă piept
F3-1	Cataramă de talie	F6-1	Elastic
F6-2	Lungimea suplimentară a curelei		

Ajustarea mânerului de control

1. Eliberați maneta de eliberare rapidă pentru a deplasa mânerul de control înainte sau înapoi, după cum este necesar (Fig. G1 & G2) și apoi activați maneta de eliberare rapidă pentru a fixa mânerul de control în poziție.
2. De asemenea, puteți roti mânerul după cum este necesar pentru confort (Fig. G3).

G1-1	Mâner de control	G1-2	Manetă de eliberare rapidă
------	------------------	------	----------------------------

Pentru a regla lungimea tubului mânerului de control (Fig. H1, H2)

1. Eliberați maneta cu eliberare rapidă.
2. Mutați tubul suflantei într-o poziție confortabilă de funcționare în zona de reglare (Fig. H1).
3. Cuplați pârghia de eliberare rapidă pentru a fixa tubul suflantei în poziție (Fig. H2).

H1-1	Tub suflantă	H1-2	Manetă de eliberare rapidă
H2-1	Zona de ajustare		

PORNIREA/OPRIREA SUFLANTEI

NOTĂ: Este posibil ca suflanta să nu pornească corect dacă acumulatorul sau temperatura suflantei este de -15 °C sau mai mică. În acest caz, scoateți acumulatorul din suflantă, lăsați acumulatorul și suflanta să se încăzească în interior timp de 10 minute sau mai mult. Reinstalați acumulatorul și încercați din nou.

Declanșatorul vitezei aerului (Fig. I1, I2)

- Apăsăți declanșatorul vitezei aerului pentru a porni suflanta, apoi ecranul LCD va afișa indicatorul de combustibil, pictograma bateriei și indicatorul vitezei aerului.

NOTĂ: 1 LED al indicatorului de combustibil de pe ecranul LCD clipește atunci când încărcarea bateriei este scăzută.

- Viteza aerului suflantei este controlată cu declanșatorul de viteză variabilă. O presiune mai mare asupra declanșatorului duce la viteze mai mari de suflare; o presiune mai mică asupra declanșatorului are ca rezultat viteze mai mici de suflare. Reglați viteza pentru a se potrivi sarcinii de îndeplinit. Indicatorul corespunzător al vitezei aerului va fi afișat pe ecranul LCD.
- Eliberați declanșatorul de viteză a aerului pentru a opri suflanta. Ecranul LCD se va stinge într-o anumită perioadă de timp după ce declanșatorul este eliberat.

Mod Turbo

În timp ce declanșatorul vitezei aerului este apăsat și menținut, apăsați butonul turbo pentru a crește fluxul de aer la viteza maximă (Fig. I1). Atât indicatorul turbo, cât și pictograma ventilatorului se vor aprinde pe ecranul LCD (Fig. I3).

NOTĂ: Suflanta revine la viteza anterioară când butonul turbo este eliberat.

Modul de blocare a vitezei

Blocarea vitezei poate fi utilizată pentru a acționa suflanta fără a apăsa continuu declanșatorul vitezei aerului.

1. Apăsăți declanșatorul vitezei aerului până când ajungeți la viteza dorită (Fig. I1).
2. Apăsăți butonul de blocare a vitezei. Pictograma de blocare a vitezei se va aprinde pe ecranul LCD (Fig. I4).
3. Apoi eliberați declanșatorul vitezei aerului, suflanta va continua să funcționeze la viteza "dorită".
NOTĂ: Apăsarea butonului turbo în timp ce vă aflați în modul de blocare a vitezei poate bloca viteza aerului la nivelul maxim. Suflanta va relua viteza anterioară atunci când apăsați din nou butonul turbo.
4. **Pentru a elibera blocarea vitezei**, apăsați din nou butonul de blocare a vitezei. Pictograma de blocare a vitezei va dispărea de pe ecranul LCD și suflanta se va opri.

I1-1	Buton Turbo	I1-2	Butonul de blocare a vitezei
I1-3	Trăgaci viteză aer	I2-1	Indicator de alimentare
I2-2	Indicator de viteză a aerului	I2-3	Pictogramă baterie
I3-1	Pictograma ventilator	I3-2	Indicator Turbo
I4-1	Pictograma blocare viteză		

TEHNOLOGIA COMUNICĂRII

Pentru informații despre întreaga noastră gamă de produse și servicii conectate, inclusiv instrucțiuni de conectare, vă rugăm să scanați codul QR de mai jos sau să vizitați www.egopowerplus.eu/connect.



SFATURI PENTRU UTILIZAREA SUFLANTEI

- Pentru a preveni împrăștierea resturilor vegetale, suflați în jurul marginilor exterioare a unei grămezi de reziduuri. Nu suflați niciodată direct în centrul grămezii.
- Pentru a reduce nivelul sonor, limitați numărul de echipamente folosite simultan.
- Utilizați greble și mătură pentru a detașa resturile înainte de a le sufla. În condiții cu praf, umeziți ușor suprafețele dacă dispuneți de apă.
- Atenție la copii, animale, ferestre deschise sau mașini proaspăt spălate și suflați resturile în siguranță.
- După utilizarea suflantelor sau a altor echipamente, curățați! Eliminați resturile într-un mod corect.

ÎNTREȚINEREA

AVERTISMENT: La depanare, utilizați numai piese de schimb identice. Utilizarea oricăror altor piese poate crea un pericol sau poate produce o deteriorare. Pentru siguranța și fiabilitatea produsului, toate reparațiile trebuie efectuate de către un tehnician de service autorizat.

AVERTISMENT: Pentru evitarea vătămărilor personale grave, îndepărtați întotdeauna setul de acumulatori din sculă când curățați sau efectuați orice operație de întreținere.

ÎNȚREȚINERE GENERALĂ

Evitați utilizarea solventilor când curățați piese din plastic. Majoritatea pieselor din plastic sunt susceptibile să se deterioreze de la diverse tipuri de solventi comerciali și se pot defecta prin utilizarea acestora. Utilizați lavete curate pentru a îndepărta murdăria, praful, uleiul, vaselina etc.

AVERTISMENT: Nu permiteți niciodată lichidelor de frână, benzinei, produselor petroliere, uleiurilor penetrante etc. să intre în contact cu piese din plastic. Substanțele chimice pot deteriora, pot fragiliza sau pot distruge plasticul, ceea ce se poate solda cu vătămări grave.

AVERTISMENT: Pentru a reduce riscul de incendiu, de vătămare corporală și de deteriorare a produsului din cauza unui scurtcircuit, nu scufundați niciodată aparatul, bateria sau încărcătorul în lichid și nu permiteți ca un lichid să curgă în interiorul acestora. Fluidele corozive sau conductoare, cum ar fi apa de mare, anumite substanțe chimice industriale și înălbitor sau produse care conțin înălbitor etc., pot provoca un scurtcircuit.

DEPOZITARE

- Scoateți pachetul (pachetele) de baterii din suflantă.
- Îndepărtați toate materialele străine din prizele de aer ale suflantei.
- Aliniați butonul de depozitare a tubului suflantei cu cancelura de agățare a tubului și agățați tubul suflantei pe carcasa portului bateriei (Fig. J1 & J2).
- Depozitați produsul într-un loc inaccesibil copiilor. Țineți-l la distanță de agenți corozivi, precum substanțele chimice de grădină și sărurile de dezghețare.

J1-1	Buton de stocare tuburi suflantă	J1-2	Cancelură de suspendare tub
------	----------------------------------	------	-----------------------------

RO

Protejarea mediului înconjurător



Nu eliminați echipamentul electric, bateria epuizată și încărcătorul de baterii împreună cu deșeurile menajere! Predați acest produs unui punct de reciclare autorizat sau puneți-l la dispoziția colectării separate. Sculele electrice trebuie returnate unui centru de reciclare ecologic.

DDEPANAREA

PROBLEMĂ	CAUZĂ	SOLUȚIE
Suflanta nu funcționează.	<ul style="list-style-type: none"> Setul de acumulatori nu este atașat la suflantă. 	<ul style="list-style-type: none"> Atașați acumulatorul la suflantă.
	<ul style="list-style-type: none"> Nu există contact electric între suflantă și acumulator. 	<ul style="list-style-type: none"> Îndepărtați acumulatorul, verificați contactele și reinstalați acumulatorul.
	<ul style="list-style-type: none"> Încărcarea acumulatorului este epuizată. 	<ul style="list-style-type: none"> Încărcați setul de acumulatori.
	<ul style="list-style-type: none"> Setul de acumulatori sau suflanta sunt prea fierbinți. 	<ul style="list-style-type: none"> Răciți pachetul de baterii și suflanta până când temperatura acestora scade sub 67°C.
	<ul style="list-style-type: none"> Declanșatorul vitezei aerului deteriorat. 	<ul style="list-style-type: none"> Contactați Serviciul clienți EGO pentru reparații.
	<ul style="list-style-type: none"> Setul de acumulatori sau suflanta sunt prea reci. 	<ul style="list-style-type: none"> Scoateți acumulatorul, lăsați acumulatorul și suflanta să se încălzească în interior. Se recomandă încărcarea completă a acumulatorului și pornirea suflantei la viteză mică fără a activa modul Turbo.
Modul de blocare a vitezei nu poate fi activat sau dezactivat.	<ul style="list-style-type: none"> Buton de blocare a vitezei deteriorat. 	<ul style="list-style-type: none"> Contactați Serviciul clienți EGO pentru reparații.
Viteza aerului este redusă în mod vizibil.	<ul style="list-style-type: none"> Încărcarea acumulatorului este redusă. 	<ul style="list-style-type: none"> Încărcați setul de acumulatori.
	<ul style="list-style-type: none"> Uzura excesivă a motorului ventilatorului. 	<ul style="list-style-type: none"> Contactați service-ul EGO pentru reparații.
	<ul style="list-style-type: none"> Admisia de aer este blocată cu resturi. 	<ul style="list-style-type: none"> Scoateți pachetul de baterii, apoi îndepărtați resturile.
Ecranul LCD nu funcționează corect.	<ul style="list-style-type: none"> Ecranul LCD sau conexiunea prin cablu sunt deteriorate. 	<ul style="list-style-type: none"> Contactați service-ul EGO pentru reparații.
1 LED al indicatorului de combustibil de pe ecranul LCD clipește.	<ul style="list-style-type: none"> Încărcarea acumulatorului este redusă. 	<ul style="list-style-type: none"> Încărcați setul de acumulatori.

RO

GARANȚIE

POLITICA PRIVIND GARANȚIA EGO

Vă rugăm să consultați site-ul egopowerplus.eu pentru termenii și condițiile complete ale politicii privind garanția EGO.

PREBERITE VSA NAVODILA!



PREBERITE PRIROČNIK Z NAVODILI ZA UPORABO

⚠ OPOZORILO: Za zagotovitev varnosti in zanesljivosti mora vsa popravila izvesti usposobljen servisni tehnik.

VARNOSTNI SIMBOLI

Namen varnostnih simbolov je, da vas opozorijo na morebitne nevarnosti. Bodite pozorni na varnostne simbole in njihova pojasnila ter jih poskušajte razumeti. Opozorilni simboli sami ne odpravljajo nobene nevarnosti. Navodila in opozorila niso nadomestilo za ustrezne ukrepe za preprečevanje nesreč.

⚠ OPOZORILO: Pred uporabo tega stroja preberite in poskrbite, da boste razumeli vsa varnostna navodila v tem priročniku, vključno z vsemi varnostnimi opozorilnimi simboli, kot so »NEVARNOST«, »OPOZORILO« in »POZOR«. Zaradi neupoštevanja spodaj navedenih navodil lahko pride do električnega udara, požara in/ali resnih telesnih poškodb.

POMEN SIMBOLA

⚠ SIMBOL VARNOSTNEGA OPOZORILA: Označuje **NEVARNOST**, **OPOZORILO** ali **SVARILO** in se lahko uporablja skupaj z drugimi simboli ali piktogrami.

VARNOSTNA NAVODILA

Na tej strani so prikazani in opisani varnostni simboli, ki se lahko pojavijo na tem izdelku. Preberite, osvojite in sledite navodilom na stroju, preden ga boste poskušali sestaviti in upravljati.



Varnostno opozorilo



Pri delu s tem izdelkom vedno nosite zaščito za ušesa.



Vsi opazovalci naj bodo oddaljeni najmanj 15 m.



Ta izdelek je skladen z veljavno zakonodajo VB.



Enosmerni tok

IPX5

Zaščita pred vodnimi curki

V

Napetost

°C

Celzij

N

Newton



Za zmanjšanje nevarnosti poškodb je pomembno, da uporabnik pred uporabo tega izdelke prebere priročnik z navodili za uporabo.



Pri upravljanju tega izdelka vedno nosite zaščitna očala ali varnostna očala s stransko zaščito in ščitnik za obraz.



Ta izdelek je skladen z veljavnimi direktivami ES.



Odpadnih električnih izdelkov ne odlagajte med gospodinjske odpadke. Odnosite jih v pooblaščen obrat za recikliranje.



Simbol Bluetooth®



Zagotovljena raven zvočne moči Emisije hrupa v okolico so v skladu z direktivo Evropske skupnosti.

kg

Kilogram

m³/h

Kubični meter na uro

m/s

Meter na sekundo

SL

TEHNIČNI PODATKI

Napetost	56 V	
Maksimalna prostornina zraka	1360 m ³ /h	
Največja hitrost zraka	85 m/s	
Največja moč pihanja	26 N	
Približen čas delovanja	Z dvema 6,0 Ah baterijama	24 min (Turbo)
		32 min (visoka hitrost)
		120 min (nizka hitrost)
	Z dvema 7,5 Ah baterijama	30 min (Turbo)
		40 min (visoka hitrost)
		150 min (nizka hitrost)
	Z dvema 10 Ah baterijama	40 min (Turbo)
		52 min (visoka hitrost)
		200 min (nizka hitrost)
	Z dvema 12 Ah baterijama	48 min (Turbo)
		63 min (visoka hitrost)
		240 min (nizka hitrost)
Frekvenčni pas delovanja Bluetooth	2400 - 2438 MHz	
Največja moč prenosa Bluetooth	5 dBm	
Teža (brez baterijskega sklopa)	7,7 kg	
Priporočena obratovalna temperatura	Od -15 °C do 40 °C	
Priporočena temperatura za shranjevanje	Od -20 °C do 70 °C	
Izmerjena raven zvočne moči L _{WA}	97 dB(A) K=1,1 dB(A)	
Raven zvočnega tlaka v ušesu upravljavca L _{PA}	82 dB(A) K=3 dB(A)	
Zajamčena raven zvočnega tlaka L _{WA} (izmerjena v skladu z 2000/14/ES)	98 dB(A)	
Tresljlaji a _h	0,35 m/s ² K=1,5 m/s ²	

SL

- Nazivna skupna vrednost tresljlajev je bila izmerjena v skladu s standardno preskusno metodo in jo je mogoče uporabiti za primerjavo enega orodja z drugim;
- Nazivno skupno vrednost tresljlajev je mogoče uporabiti tudi za predhodno oceno izpostavljenosti.

OPOMBA: Oddajanje tresljlajev med dejansko uporabo električnega orodja se lahko razlikuje od nazivne vrednosti, v kateri se uporablja orodje; Upravljavec se lahko zaščiti tako, da uporablja rokavice in naušnike, primerne dejanskim pogojem uporabe.

VSEBINA PAKETA (SL. A1)

OPIS

SPOZNAJTE SVOJ PUHALNIK (sl. A1)

1. Nastavljiv podporni pas
2. Gumb za shranjevanje cevi puhalnika
3. Plošča nahrbtnega dela
4. Krmilna ročica
5. Stožčasta šoba
6. Cev puhalnika
7. Cev krmilne ročice
8. Mehovi
9. Dovod zraka
10. Ročaj za prijem
11. Električni kontakti
12. Varovalo
13. Gumbi za sprostitev baterije
14. Ročaj
15. Gumb za zaklepanje hitrosti
16. Zaslona LCD
17. Gumb Turbo
18. Sprožilec hitrosti zraka
19. Utor za namestitve cevi
20. Vzvodi za hitro sprostitev
21. Indikator Bluetooth
22. Merilnik stanja goriva
23. Ikona ventilatorja
24. Indikator Turbo
25. Indikator za hitrost zraka
26. Ikona za zaklepanje hitrosti
27. Ikona akumulatorja

ASSEMBLY

⚠ OPOZORILO: Če so deli poškodovani ali manjkajo, orodja ne uporabljajte, dokler ne zamenjate delov. Če ta izdelek uporabljate s poškodovanimi ali manjkajočimi deli, lahko pride do hudih telesnih poškodb.

⚠ OPOZORILO: Tega izdelka ne poskušajte spreminjati in ne poskušajte izdelovati dodatkov, ki niso primerni za uporabo s tem puhalnikom. Vsako tako spreminjanje ali predelava se šteje za napačno uporabo in povzroči tveganja, ki lahko povzročijo hude telesne poškodbe.

⚠ OPOZORILO: Pri nameščanju delov vedno odstranite bateriji, da preprečite nenamerni zagon, ki bi lahko povzročil resno telesno poškodbo.

NAMEŠČANJE CEVI PUHALNIKA

Priključitev cevi krmilne ročice na meh

1. Zgornji konec cevi krmilne ročice vstavite v meh, kolikor gre (sl. B1).
2. Trdno privijte vijak v vpenjalni obroč, pritrjen na meh (sl. B2).

B1-1	Mehovi	B1-2	Vpenjalna manšeta
B1-3	Zgornji konec	B1-4	Cev krmilne ročice
B2-1	Vijak		

Priključitev cevi puhalnika na cev krmilne ročice

1. Zrhljajte in odstranite vzvod za hitro sprostitvev in krilato matico s sklopa objemke cevi, ki je pritrjena na cev puhalnika (sl. C1).
2. Poravnajte utor v cevi puhalnika z rebrom na cevi krmilne ročice, potisnite cev puhalnika čez cev krmilne ročice, kolikor gre (sl. C2).
3. Vstavite zatič vzvod za hitro sprostitvev in zaprite vzvod na objemko cevi (sl. C3).
4. Zategnite krilato matico, da pritrдите objemko cevi (sl. C4).

C1-1	Cev puhalnika	C1-2	Cevna objemka
C1-3	Vzvod za hitro sprostitvev	C1-4	Krilna matica
C2-1	Cev puhalnika	C2-2	Cev krmilne ročice
C2-3	Utor	C2-4	Rib
C3-1	Zatič		

Priključitev stožčaste šobe na cev puhalnika

1. Utor v šobi poravnajte z varovalom na cevi. Potisnite šobo čez cev, dokler se varno ne zaskoči (sl. D1).
2. Če želite odstraniti šobo, pritisnite in držite gumb za sprostitvev šobe, da sprostite varovalo, nato pa šobo potegnite naravnost s cevi puhalnika (sl. D2).

D1-1	Gumb za sprostitvev šobe	D1-2	Varovalo
------	--------------------------	------	----------

UPRAVLJANJE

⚠ OPOZORILO: Tudi če se dodobra seznanite s tem izdelkom, bodite pri ravnanju z njim pazljivi. Upoštevajte, da je samo delček sekunde nepazljivosti dovolj, da pride do hude telesne poškodbe.

⚠ OPOZORILO: Ne uporabljate priključkov ali dodatkov, ki jih proizvajalec tega izdelka ne priporoča. Uporaba priključkov ali dodatkov, ki niso priporočeni, lahko povzroči hude telesne poškodbe.

⚠ OPOZORILO: Pri nameščanju delov, opravljanju prilagoditev, čiščenju ali kadar izdelek ni v uporabi vedno odstranite bateriji. Odstranitev baterij bo preprečila nenaмерen zagon, ki bi lahko povzročil resno telesno poškodbo.

Pred vsako uporabo celoten izdelek pregledajte za poškodovane, manjkajoče ali zrahljanje dele, kot so vijaki, matice in pokrovi. Vsa zapirala in pokrove trdno privijte in izdelka ne uporabljajte, dokler ne zamenjate manjkajočih ali poškodovanih delov.

UPORABA

Ta izdelek lahko uporabljate za naslednje namene:

- Čiščenje listov in različnih dvoriščnih odpadkov s travnikov in zastirk.
- Čiščenje trdnih površin, kot so dovozi in sprehajalne poti.
- Ohranjanje sprehajališč in poti brez listja in iglic.

OPOMBA: Orodje lahko uporabljate samo za predvideni namen. Kakršna koli druga uporaba se smatra za nepravilno uporabo.

PRIKLJUČITEV/ODKLOP BATERIJSKEGA SKLOPA

Napravo uporabljajte samo z baterijskimi sklopi in polnilniki EGO, navedenimi na sl. A2.

Za več podrobnosti glejte ustrezne priročnike za baterijske sklope in polnilnike.

Pred prvo uporabo baterijo popolnoma napolnite.

OPOMBA: Za najboljšo zmogljivost priporočamo uporabo baterijskega paketa EGO 56V BA3360T (6,0 Ah) ali drugih baterijskih paketov EGO 56V z večjo zmogljivostjo Ah.

Puhalnik ima dve aktivni akumulatorski ohišji, ki se nahajata na levi in desni strani ohišja za akumulatorski priključek.

OPOMBA: Puhalnik lahko deluje z eno ali dvema baterijama. Uporaba dveh baterij omogoča daljši čas delovanja in učinkovito porabo energije, ki jo omogoča tehnologija PEAK POWER™.

Ko so baterijski sklopi vstavljeni v ustrezno ohišje za baterijo, označeno z 1 ali 2 na plošči nahrbtnika, in je puhalnik vklopljen, bo na zaslonu LCD zasvetila ustrezna ikona za baterijo (sl. E1).

Za pritrditev (sl. E2)

Poravnajte rebra baterije z režami za pritrditev in pritisnite baterijo navzdol, dokler ne zaslišite klika. Namestite drugo baterijo.

SL

Napotki za odklop

Pritisnite gumb za sprostitve baterije in izvlecite baterijo

⚠ OPOZORILO: Ko pritisnete gumb za sprostitve baterij, bodite vedno pozorni na svoje noge, otroke ali hišne ljubljence. Če vam baterijski sklop pade na tla, lahko pride do hudih poškodb. NIKOLI ne odstranjujte baterije, če ste na visokem mestu.

E1-1	Številka ohišja baterije	E1-2	Zaslon LCD
E1-3	Ikona akumulatorja	E2-1	Rebro baterije
E2-2	Reža za montažo	E2-3	Gumb za sprostitve baterije

NAMEŠČANJE PUHALNIKA Z NAHRBTNIKOM

⚠ OPOZORILO: Za upravljanje te naprave se primerno oblecite, da zmanjšate nevarnost telesnih poškodb. Ne nosite ohlapnih oblačil ali nakita. Uporabljajte zaščito za oči in ušesa. Nosite robustne dolge hlače, škornje in rokavice. Ne nosite kratkih hlač, sandalov ali bodite bos.

Pred uporabo nahrbtnega puhalnika se prepričajte, da upravljavec nosi zaščito za oči in ustrezna oblačila ter da lahko stoji varno in uravnoteženo.

Nastavitev podpornega pasu

1. Roke potisnite skozi naramnice nahrbtnika za podporo puhalniku na vašem hrbtu.
2. Začasno prilagodite oba ramenska pasova v udoben položaj (sl. F1), pri čemer se prepričajte, da je vaš komolec udobno nameščen.
3. Pripnite sponko prsnega koša in po potrebi prilagodite dolžino prsnega pasu (sl. F2).
4. Zapnite sponko za pas in prilagodite dolžino traka okoli pasu, tako da je nahrbtnik varno podprt na vaših bokih (sl. F3 in F4).

OPOMBA: Nahrbtnika ne smete nositi previsoko na hrbtu. Nameščen naj bo bliže bokom kot ramenom.

⚠ OPOZORILO: Ko pride do izrednih razmer, takoj spustite sponke prsnega koša in pasu, da snamete oba ramenska pasova na nahrbtniku. To je metoda hitre sprostitve.

5. Za varnost in udobje ponovno nastavite naramnice. Prepričajte se, da je nahrbtnik varno nameščen na vašem hrbtu, pri čemer težo podpira trak okoli pasu, ter ni odvečnega premikanja med vašim gibanjem (sl. F5).
6. Morebitno odvečno dolžino traku okoli pasu vstavite v elastiko na obeh straneh (sl. F6).

7. Da nahrbtnik snamete s hrbta, preprosto pritisnite na sponki na pasu in na prsni in ju sprostite ter snemite puhalnik (sl. F7).

F1-1	Ramenski pas	F2-1	Prsna sponka
F3-1	Sponka za pas	F6-1	Elastika
F6-2	Dodatna dolžina traku		

Prilaganje krmilne ročice

1. Sprostite vzvod za hitro sprostitve in premaknite krmilno ročico naprej ali nazaj po potrebi (sl. G1 in G2), nato pa uporabite vzvod za hitro sprostitve, da se krmilna ročica pritrdi na mesto.
2. Za udobje lahko ročaj po potrebi tudi zavrtite (sl. G3).

G1-1	Krmilna ročica	G1-2	Vzvod za hitro sprostitve
------	----------------	------	---------------------------

Nastavitev dolžine cevi krmilne ročice (sl. H1, H2)

1. Sprostite vzvod za hitro sprostitve.
2. Cev puhalnika premaknite v udoben delovni položaj znotraj območja nastavitve (sl. H1).
3. Z vzvodom za hitro sprostitve pritrdite cev puhalnika na mesto (sl. H2).

H1-1	Cev puhalnika	H1-2	Vzvod za hitro sprostitve
H2-1	Prilagoditveno območje		

ZAGON/ZAUSTAVITEV PUHALNIKA

OPOMBA: Če je temperatura baterije puhalnika -15 °C ali manj, se baterijski sklop morda ne bo pravilno zagnal. V tem primeru odstranite baterijo iz puhalnika in počakajte 10 minut ali več, da se puhalnik v notranjem prostoru segreje. Znova vstavite baterijo in poskusite znova.

Sprožilec hitrosti zraka (sl. I1, I2)

- Pritisnite sprožilec za hitrost zraka, da vklopite puhalnik, nato se na zaslonu LCD prikažejo merilnik goriva, ikona baterije in indikator hitrosti zraka.

OPOMBA: 1 dioda LED merilnika goriva na LCD-zaslonu utripa, ko je napolnjenost baterije nizka.

- Hitrost zraka puhalnika se uravnava s sprožilcem spremenljive hitrosti. Več tlaka na sprožilcu pomeni višje hitrosti pihanja; manj tlaka na sprožilcu pomeni nižje hitrosti pihanja. Prilagodite hitrost trenutnemu opravilu. Ustrezen indikator hitrosti zraka bo prikazan na zaslonu LCD.

- Sprostite sprožilec hitrosti zraka, da izklopite puhalnik. Zaslou LCD se bo izklopil v določenem času po sprostitvi sprožilca.

Način Turbo

Medtem ko je sprožilec hitrosti zraka pritisnjen in zadržan, pritisnite turbo gumb, da povečate pretok zraka do največje hitrosti (sl. 11). Na zaslonu LCD zasvetita indikator turbo in ikona ventilatorja (sl. 13).

OPOMBA: Puhalnik se vrne na prejšnjo hitrost, ko gumb turbo sprostite.

Način zaklepanja hitrosti

Zaklep hitrosti se lahko uporablja za upravljanje puhalnika brez stalnega pritiska na sprožilec hitrosti zraka.

1. Pritisčajte sprožilec hitrosti zraka, dokler ne dosežete zelene hitrosti (sl. 11).
2. Pritisnite gumb za zaklepanje hitrosti. Na LCD zaslonu bo svetila ikona za zaklepanje hitrosti (sl. 14).
3. Spustite sprožilec hitrosti zraka, puhalnik bo še naprej deloval z »zaklenjeno« hitrostjo.

OPOMBA: Če pritisnete turbo gumb v načinu zaklenjene hitrosti, lahko zaklenete hitrost zraka na največji ravni. Puhalnik se bo vrnil na prejšnjo hitrost, ko ponovno pritisnete gumb turbo.

4. Za sprostitvev zaklepanja hitrosti znova pritisnite gumb za zaklepanje hitrosti. Ikona za zaklepanje hitrosti bo izginila z zaslona LCD in puhalnik se bo izklopil.

I1-1	Gumb Turbo	I1-2	Gumb za zaklepanje hitrosti
I1-3	Sprožilec hitrosti zraka	I2-1	Merilnik stanja goriva
I2-2	Indikator za hitrost zraka	I2-3	Ikona akumulatorja
I3-1	Ikona ventilatorja	I3-2	Indikator Turbo
I4-1	Ikona za zaklepanje hitrosti		

KOMUNIKACIJSKA TEHNOLOGIJA

Za informacije ali našo celotno ponudbo povezanih izdelkov in storitev, vključno z navodili za povezavo, skenirajte kodo QR spodaj ali obiščite spletno mesto www.egopowerplus.eu/connect.



NASVETI ZA UPORABO PUHALNIKA

- Da delci ne bi leteli naokrog, puhalnik uporabite tako, da pihate ob zunanjem robu kopicice. Nikoli ne pihajte neposredno v osrednji del kopicice.
- Za nižjo raven zvočnega hrupa napravo uporabljajte manj pogosto.
- Pred uporabo puhalnika z grabljami zrahljajte sprjeti material. V prašnih pogojih površine rahlo navlažite, čexje voda na voljo.
- Pazite na otroke, domače živali, odprta okna ali sveže oprana vozila in odpadke varno odpihujte stran.
- Po uporabi puhalnikov ali druge opreme počistite! Odpadke odstranjujte na ustrezen način.

VZDRŽEVANJE

⚠ OPOZORILO: Za popravila uporabljajte samo identične nadomestne dele. Uporaba drugih delov je tvegana in lahko poškoduje izdelek. Za zagotovitev varnosti in zanesljivosti mora vsa popravila izvesti usposobljen servisni tehnik.

⚠ OPOZORILO: Pri čiščenju ali vzdrževanju vedno odstranite baterijski sklop iz orodja, da preprečite hude telesne poškodbe.

SPLOŠNO VZDRŽEVANJE

Pri čiščenju plastičnih delov ne uporabljajte topil. Večina vrst plastike se lahko pri uporabi različnih komercialnih topil poškoduje. Umazanijo, prah, olje, maščobe itd. odstranite s čisto krpo.

⚠ OPOZORILO: Zavorna tekočina, gorivo, izdelki na bazi nafte, prodirajoče olje ipd. naj nikoli ne pridejo v stik s plastičnimi deli. Kemikalije lahko poškodujejo, oslabijo ali uničijo plastiko, kar lahko povzroči hude telesne poškodbe.

⚠ OPOZORILO: Če želite zmanjšati nevarnost požara, telesnih poškodb in poškodb izdelka zaradi kratkega stika, stroja, baterijskega sklopa ali polnilnika nikoli ne potopite v tekočino in ne dovolite, da tekočina teče v njih. Jedke ali prevodne tekočine, kot so morska voda, nekatere industrijske kemikalije in izdelki, ki vsebujejo belilo ali belilo itd., lahko povzročijo kratek stik.

SKLADIŠČENJE

- Iz puhalnika odstranite baterijski(-e) sklop(-e).
- Iz vseh dovodov zraka puhalnika očistite vse tujke.
- Poravnajte gumb za shranjevanje cevi puhalnika z utorom za obešanje cevi in zatakните cev puhalnika na ohišje priključka za baterijo (sl. J1 in J2).

SL

- Napravo skladiščite v notranjem prostoru, ki je nedostopen otrokom. Ne shranjujte je v bližini korozivnih sredstev, kot so vrtno kemikalije in soli za taljenje ledu.

J1-1	Gumb za shranjevanje cevi puhalnika	J1-2	Zareza za namestitve cevi
------	-------------------------------------	------	---------------------------

Varovanje okolja



Električne opreme, rabljenega akumulatorja in polnilnika ne odvrzite med gospodinske odpadke. Izdelek odnesite na pooblaščen obrat za recikliranje in ga zavrzite ločeno. Električna orodja je treba odnesti na obrat za recikliranje in ga reciklirati na okolju prijazen način.

ODPRAVLJANJE TEŽAV

TEŽAVA	VZROK	REŠITEV
Puhalnik ne deluje.	▪ Baterijski sklop ni pritrjen na puhalnik.	▪ Baterijski sklop pritrdite na puhalnik.
	▪ Med puhalnikom in baterijo ni električnega stika.	▪ Odstranite baterijski sklop, preverite kontakte in znova namestite baterijski sklop.
	▪ Baterijski sklop je izprazenjen.	▪ Napolnite baterijski sklop.
	▪ Baterijski sklop ali puhalnik je prevroč.	▪ Baterijski sklop in puhalnik ohladite do temperature, ki je nižja od 67 °C.
	▪ Sprožilec hitrosti zraka je poškodovan.	▪ Za popravilo se obrnite na podporo za kupce izdelkov EGO.
	▪ Baterijski sklop ali puhalnik sta prehladna.	▪ Odstranite baterijo, pustite, da se baterija in puhalnik segrejeta v zaprtih prostorih. Priporočljivo je, da popolnoma napolnite baterijski sklop in zažene puhalnik pri nizki hitrosti brez aktivacije Turbo načina.
Načina zaklepanja hitrosti ni mogoče vklopiti ali izklopiti.	▪ Gumb za zaklepanje hitrosti je poškodovan.	▪ Za popravilo se obrnite na podporo za kupce izdelkov EGO.
Hitrost zraka se opazno zmanjša.	▪ Napolnjenost baterije je nizka.	▪ Napolnite baterijski sklop.
	▪ Ventilator motorja je prekomerno obrabljen.	▪ Za popravilo se obrnite EGO servis.
	▪ Dovod zraka je zamašen z delci.	▪ Odstranite baterijski sklop, očistite delce.
Zaslon LCD ne deluje pravilno.	▪ LCD zaslon ali žična povezava sta poškodovana.	▪ Za popravilo se obrnite EGO servis.
1 LED indikatorja goriva na LCD zaslonu utripa.	▪ Napolnjenost baterije je nizka.	▪ Napolnite baterijski sklop.

SL

GARANCIJA

GARANCIJSKA POLITIKA DRUŽBE EGO

Za polne pogoje garancijske politike družbe EGO obiščite spletno mesto egopowerplus.eu.

PERSKAITYKITE VISĄ INSTRUKCIJĄ!



SKAITYTI NAUDOJIMO INSTRUKCIJĄ

⚠️ ĮSPĖJIMAS: Kad būtų užtikrintas saugumas ir patikimumas, visus remonto darbus turi atlikti kvalifikuotas techninės priežiūros specialistas.

SAUGOS SIMBOLIAI

Saugos simbolių paskirtis – atkreipti dėmesį į galimus pavojus. Gerai susipažinkite su saugos simboliais bei jų paaiškinimais ir juos išidėmėkite. Simbolių įspėjimai patys savaime negali apsaugoti nuo pavojų. Jais žymimi nurodymai ir įspėjimai neatstoja tinkamų nelaimingų atsitikimų prevencijos priemonių.

⚠️ ĮSPĖJIMAS: Prieš pradėdami naudoti šį įrenginį, perskaitykite visus šioje naudojimo instrukcijoje pateiktus saugos nurodymus, įskaitant visus saugos įspėjamuosius simbolius, tokius kaip „PAVOJUS“, „ĮSPĖJIMAS“ ir „DĖMESIO“ bei įsitikinkite, ar viską gerai supratote. Nesilaikant visų toliau išdėstytų nurodymų galima patirti elektros smūgį, sukelti gaisrą ir (ar) sunkiai susižaloti.

SIMBOLIŲ REIKŠMĖ

⚠️ SAUGOS ĮSPĖJAMASIS SIMBOLIS: Reiškia PAVOJUS, ĮSPĖJIMAS ar DĖMESIO ir gali būti panaudotas su kitais simboliais arba piktogramomis.

SAUGOS NURODYMAI

Šiame puslapyje pavaizduoti ir aprašyti saugos simboliai, kurie gali būti nurodyti ant šio gaminio. Prieš bandydami surinkti ir naudoti įrankį, perskaitykite visus ant jo pateiktus nurodymus, įsitikinkite, kad juos supratote, ir jais vadovaukitės.



Įspėjimas dėl saugos



Dirbdami su šiuo gaminiu visada dėvėkite klausos apsaugos priemones.



Pašaliniai asmenys turi būti atitraukę bent 15 m atstumu.



Šis gaminytis atitinka taikomas JK direktyvas.



Nuolatinė srovė



Apsauga nuo vandens čiurkšlių



Įtampa



Celsijaus laipsniai



Niutonai



Kad sumažintų pavojų susižaloti, naudotojas turi perskaityti naudojimo instrukciją prieš naudodamas šį įrankį.



Naudodami šį gaminį, visada užsidėkite apsauginius akinius arba apsauginius akinius su šonine apsauga ir visą veidą dengiantį skydelį.



Šis gaminytis atitinka taikomas EB direktyvas.



Netinkamus naudoti elektrinius įrankius draudžiama išmesti kartu su buitinėmis atliekomis. Pristatyti įgaliotam perdirdėjui.



Bluetooth® simbolis



Garantuojamas garso galios lygis. Triukšmo sklaida į aplinką atitinka Europos Bendrijos direktyvą.



Kilogramai




Kubiniai metrai per valandą



Metras per sekundę

LT

TECHNINIAI DUOMENYS

Įtampa	56 V 	
Didžiausias oro tūris	1360 m ³ /val.	
Maksimalus oro srauto greitis	85 m/s	
Maksimali pūtimo galia	26 N	
Apytikslis veikimo laikas	Su dviem 6,0 Ah sudėtinėmis baterijomis	24 min. (Turbo)
		32 min. (dideli sūkiai)
		120 min. (Maži sūkiai)
	Su dviem 7,5 Ah sudėtinėmis baterijomis	30 min. (Turbo)
		40 min. (dideli sūkiai)
		150 min. (Maži sūkiai)
	Su dviem 10 Ah sudėtinėmis baterijomis	40 min. (Turbo)
		52 min. (dideli sūkiai)
		200 min. (Maži sūkiai)
	Su dviem 12 Ah sudėtinėmis baterijomis	48 min. (Turbo)
		63 min. (dideli sūkiai)
		240 min. (Maži sūkiai)
„Bluetooth“ darbinio dažnio juosta	2400 - 2438 MHz	
„Bluetooth“ maksimali perdavimo galia	5 dBm	
Svoris (be sudėtinės baterijos)	7,7 kg	
Rekomenduojama darbo temperatūra	Nuo -15°C iki 40°C	
Rekomenduojama laikymo temperatūra	Nuo -20 °C iki 70 °C	
Išmatuotas garso galios lygis L _{WA}	97 dB(A) K=1,1 dB(A)	
Garso slėgio lygis ties operatoriaus ausimi L _{PA}	82 dB(A) K=3 dB(A)	
Garantuojamas garso galios lygis L _{WA} (išmatuotas pagal 2000/14/EB)	98 dB(A)	
Vibracija a _n	0,35 m/s ² K=1,5 m/s ²	

LT

- Nurodyta bendroji vibracijos vertė išmatuota taikant standartinį bandymo metodą, todėl pagal ją galima palyginti skirtingus įrankius;
- Nurodytą bendrąją vibracijos vertę taip pat galima naudoti pirminiam poveikio vertinimui.

PASTABA. Naudojant įrankį realiomis sąlygomis, sklaidžiamos vibracijos stiprumo vertė gali skirtis nuo nurodytos. Kad apsaugotų dirbdamas realiomis sąlygomis, naudotojas turi mūvēti pirštines ir naudoti klausos apsaugos priemones.

PAKUOTĖS TURINIO SĄRAŠAS (A1 PAV.)

APRAŠYMAS

PAŽINKITE PŪSTUVĄ (A1 pav.)

1. Reguliuojamų laikymo diržų kompleksas
2. Pūstuvo vamzdžio laikymo iškyša
3. Kuprinės plokštė
4. Valdymo rankena
5. Smailus antgalis
6. Pūstuvo vamzdis
7. Vamzdis su valdymo rankena
8. Silfonas
9. Oro įsiurbimo anga
10. Pagalbinė rankena
11. Elektros kontaktai
12. Fiksatorius
13. Baterijų atjungimo mygtukai
14. Rankena
15. Greičio fiksavimo mygtukas
16. LCD ekranas
17. TURBO greičio mygtukas
18. Oro srauto greičio jungiklis
19. Vamzdžio pakabinimo griovelis
20. Greito atjungimo svirtelė
21. „Bluetooth“ indikatorius
22. Įkrovos indikatorius
23. Ventilatoriaus piktograma
24. TURBO indikatorius
25. Oro greičio indikatorius
26. Greičio fiksavimo piktograma
27. Baterijos piktograma

SURINKIMAS

⚠️ ĮSPĖJIMAS: Jei kurios nors dalys pažeistos arba jų nėra, nenaudokite šio gaminio tol, kol tos dalys nebus pakeistos. Naudojant gaminį su pažeistomis dalimis arba kai jų trūksta, galima sunkiai susižaloti.

⚠️ ĮSPĖJIMAS: Nebandykite keisti šio gaminio konstrukcijos arba naudoti priedus, kurie nėra rekomenduojami naudoti su šiuo pūstuvu. Visi tokie pakeitimai laikomi netinkamu naudojimu ir gali sukelti pavojingas situacijas, kurių metu galite sunkiai susižaloti.

⚠️ ĮSPĖJIMAS: Kad išvengtumėte atsitiktinio įrankio paleidimo ir galimo sunkaus sužalojimo, surinkdami įrankio dalis visada iš jo išimkite sudėtinę bateriją.

PŪSTUVO VAMZDŽIŲ MONTAVIMAS

Vamzdis su valdymo rankena prijungimas prie silfono

- Įkiškite viršutinį vamzdžio su valdymo rankena galą į silfoną tiek, kiek jis telpa (B1 pav.).
- Tvirtai priveržkite prispaudimo žiedo varžtą, esantį prie silfono pritvirtintame fiksatoriuje (B2 pav.).

B1-1	Silfonas	B1-2	Prispaudimo žiedas
B1-3	Viršutinis kraštas	B1-4	Vamzdis su valdymo rankena
B2-1	Varžtas		

Pūstuvo vamzdžio prijungimas prie vamzdžio su valdymo rankena

- Atlaisvinkite ir nuimkite greito atjungimo svirtį ir sparnuotąją veržlę nuo vamzdžio veržtuvo ant pūstuvo vamzdžio (C1 pav.).
- Įtaikykite pūstuvo vamzdžio griovelį į vamzdžio su valdymo rankena iškyšą ir užmaukite pūstuvo vamzdį ant vamzdžio su valdymo rankena tiek, kiek telpa (C2 pav.).
- Įkiškite greito atjungimo svirties kaištį ir prispauskite svirtį prie vamzdžio veržtuvo (C3 pav.).
- Užveržkite sparnuotąją veržlę, pritvirtindami vamzdžio veržtuvą (C4 pav.).

C1-1	Pūstuvo vamzdis	C1-2	Vamzdžio veržtuvas
C1-3	Greito atjungimo svirtelė	C1-4	Sparnuotoji veržlė
C2-1	Pūstuvo vamzdis	C2-2	Vamzdis su valdymo rankena
C2-3	Griovelis	C2-4	Briauna
C3-1	Kaištis		

Smailaus antgalio prijungimas prie pūstuvo vamzdžio

- Įtaikykite antgalio griovelį į vamzdžio fiksatorių. Stumkite antgalį ant vamzdžio, kol jis tvirtai užsifiksuos (D1 pav.).
- Kai antgalį norite nuimti,** paspauskite ir laikykite nuspaudę antgalio atjungimo mygtuką, kad atjungtumėte fiksatorių, ir nutraukite antgalį nuo pūstuvo vamzdžio (D2 pav.).

D1-1	Antgalio atleidimo mygtukas	D1-2	Fiksatorius
------	-----------------------------	------	-------------

NAUDOJIMAS

⚠️ ĮSPĖJIMAS: Mokėjimas naudotis šiuo gaminiu nesuteikia teisės dirbti nerūpestingai. Atminkite, kad net akimirksniui atitraukę dėmesį galite sunkiai susižaloti.

⚠️ ĮSPĖJIMAS: Nenaudokite jokių papildomų įtaisų ar priedų, kurių nerekomendavo šio gaminio gamintojas. Naudojant nerekomenduojamus papildomus įtaisus ar priedus galima sunkiai susižaloti.

⚠️ ĮSPĖJIMAS: Visada išimkite baterijas iš gaminio, kai montuojate dalis, reguliuojate, valote arba gaminio nenaudojate. Išėmę baterijas išvengsite atsitiktinio paleidimo, kuris gali sunkiai sužaloti.

Kaskart prieš naudodami gaminį visą jį patikrinkite, ar nesugadintas, ar netrūksta dalių, pavyzdžiui, sraigčių, veržlių, varžtų, dangtelių ir t. t., ar jos neatsilaisvinę. Patikimai priveržkite visas tvirtinimo detales ir dangtelius ir nenaudokite šio gaminio, kol nepakeisite visų trūkstamų ar sugadintų dalių.

PASKIRTIS

Galite naudoti šį gaminį toliau išvardytais tikslais:

- Lapų ir įvairių kiemo šiukšlių valymas nuo vejų ir mulčiuotų lysvių.
- Kietiems paviršiams, pvz., įvažiavims ir takams, valyti.
- lapams bei pušų spygliams pašalinti nuo aikštelių ir įvažiavimų.

PASTABA. Įrankį galima naudoti tik pagal numatytąją paskirtį. Bet koks kitas naudojimas laikomas netinkamu.

SUDĖTINĖS BATERIJOS ĮSTATYMAS IR IŠĖMIMAS

Naudokite tik A2 pav. pateiktus EGO sudėtines baterijas ir įkroviklius.

Daugiau informacijos rasite atitinkamuose sudėtinę baterijų ir įkroviklių vadovuose.

Prieš bateriją naudodami pirmą kartą, visiškai ją įkraukite.

PASTABA. Kad pūstuvas tinkamai veiktų, rekomenduojame naudoti EGO 56 V sudėtinę bateriją BA3360T (6,0 Ah) arba kitas didesnės talpos EGO 56 V sudėtines baterijas.

Pūstuvas turi dvi aktyvios baterijos jungtis, esančias kairėje ir dešinėje baterijos prievado korpuso pusėje.

PASTABA. Pūstuvas gali veikti su viena arba dviem baterijomis. Naudodami dvi baterijas galite ilgiau ir efektyviau dirbti, naudodami „PEAK POWER“™ technologijos valdomą energiją.

Kai baterijos įdedamos į atitinkamas baterijų jungtis, ant kuprinės plokštės pažymėtas 1 arba 2, ir įjungiamas pūstuvus, LCD ekrane užsidega atitinkama baterijos piktograma (E1 pav.).

Įstatymas (E2 pav.)

Sulygiuokite vienos baterijos iškyšas su tvirtinimo angomis ir spauskite sudėtinę bateriją žemyn, kol išgirsite spragtelėjimą. Prijunkite kitą akumuliatorių.

Išėmimas

Nuspauskite baterijos atjungimo mygtuką ir išimkite sudėtinę bateriją.

⚠️ ĮSPĖJIMAS: Prieš paspausdami baterijos atjungimo mygtuką, visada atkreipkite dėmesį į savo kojas, vaikų ir augintinių buvimą vietą. Iškritusi baterija gali sunkiai sužaloti. NIEKADA nebandykite išimti baterijos, kai įrankis aukštai pakeltas.

E1-1	Baterijos prievadų numeris	E1-2	LCD ekranas
E1-3	Baterijos piktograma	E2-1	Baterijos briauna
E2-2	Tvirtinimo griovelis	E2-3	Baterijos atjungimo mygtukas

PŪSTUVO UŽSIDĖJIMAS ANT NUGAROS

⚠️ ĮSPĖJIMAS: Dirbdami su šiuo įrenginiu tinkamai apsirenkite, kad sumažintumėte traumų pavojų. Nedėvėkite laisvų drabužių ir nenešiokite laisvai kabančių papuošalų. Būkite užsidėję akių ir ausų / klausos organų apsaugos priemonės. Mūvėkite tvirtas medžiagos ilgas kelnes ir pirštines, avėkite tinkamus batus. Nedėvėkite trumpų kelnų, sandalų bei nedirbkite basomis.

Prieš naudodami ant nugaros nešiojamą pūstuvą, įsitikinkite, kad operatorius dėvi apsauginius akinius, dėvi tinkamus drabužius ir gali saugiai ir subalansuotai stovėti.

Laikymo diržų reguliavimas

- Prakiškite rankas pro kuprinės diržus, kad pūstuvus laikytųsi ant jūsų nugaros.
- Laikinais sureguliuokite pečių diržus į patogią padėtį (F1 pav.) ir įsitikinkite, kad jūsų alkūnė patogioje padėtyje.
- Užfiksuo­kite krūtinės diržo sagtį ir, jei reikia, sureguliuokite krūtinės diržo ilgį (F2 pav.).
- Užsisekite juosmens sagtį ir susireguliuokite dirželio ilgį taip, kad kuprinė tvirtai remtųsi į jūsų klubus (F3 ir F4 pav.).

PASTABA. Kuprinė neturi būti per aukštai ant nugaros; ji turi būti arčiau klubų, negu pečių.

⚠️ ĮSPĖJIMAS: Atsitikus nelaimei, nedelsdami atleiskite krūtinės ir juosmens sagtis, kad nuimtumėte kuprinės diržą iš abiejų pusių. Tai greito atlaisvinimo būdas.

- Iš naujo susireguliuokite pečių diržus, kad pūstuvus laikytųsi tvirtai ir saugiai. Įsitikinkite, kad kuprinė tvirtai remiasi į jūsų nugarą, jos svorį laiko juosmens diržas ir jums judant pūstuvus beveik nejuda ant jūsų nugaros (F5 pav.).
- Laisvus juosmens dirželio galus abiejose sagties pusėse įkiškite į tamprias kilpas (F6 pav.).
- Norėdami nusiimti įrenginį nuo nugaros, paspausdami atsekite juosmens ir krūtinės sagtis ir nuleiskite pūstuvą žemyn (F7 pav.).

F1-1	Pečius diržas	F2-1	Krūtinės diržo sagtis
F3-1	Juosmens diržo sagtis	F6-1	Elastingas
F6-2	Papildomas diržo ilgis		

Valdymo rankenos reguliavimas

- Atleiskite greito atjungimo svirtį, kad valdymo rankena prireikus galėtumėte pastumti į priekį arba atgal (G1 ir G2 pav.), ir po to ją įtvirtinkite, užfiksuo­dami reikiamoje vietoje.
- Kad būtų patogiau, rankeną galite pasukti į norimą padėtį (G3 pav.).

G1-1	Valdymo rankena	G1-2	Greito atjungimo svirtelė
------	-----------------	------	---------------------------

Vamzdžio su valdymo rankena ilgio reguliavimas (H1, H2 pav.)

- Atleiskite greito atjungimo svirtį.
- Atleiskite greito atjungimo svirtį, nustatydami pūstuvo vamzdį į patogią darbinę padėtį (H1 pav.).
- Įtvirtinkite greito atjungimo svirtį, užfiksuo­dami pūstuvo vamzdį (H2 pav.).

H1-1	Pūstuvo vamzdis	H1-2	Greito atjungimo svirtelė
H2-1	Reguliavimo zona		

PŪSTUVO PALEIDIMAS IR IŠJUNGIMAS

PASTABA: Pūstuvo gali nepavykti tinkamai paleisti, jei jo ar sudėtinės baterijos temperatūra nukritusi žemiau -15 °C. Tokiu atveju išimkite iš pūstuvo sudėtinę bateriją ir palaikykite įrenginį bei bateriją patalpoje bent 10 minučių, kad atšiltų. Vėl įstatykite sudėtinę bateriją ir bandykite paleisti dar kartą.

Oro srauto greičio jungiklis (I1 ir I2 pav.)

- Paspauskite oro srauto greičio jungiklį, kad įjungtumėte įrenginį: tuomet LCD ekrane pasirodys įkrovos indikatorius, baterijos piktograma ir oro greičio indikatorius.

PASTABA. Kai baterijos įkrova nukrenta, 1 LED indikatorius įkrovos matuoklio žiede LCD ekrane pradeda mirksėti.

- Pūstuvo pučiamo oro srauto greitis valdomas greičio reguliavimo jungikliu. Jungiklį stipriau spaudžiant, srauto greitis didėja, o silpniau spaudžiant – mažėja. Nustatykite savo užduočiai tinkamą greitį. LCD ekrane bus rodoma atitinkama oro srauto greičio piktograma.
- Atleiskite oro srauto greičio jungiklį ir pūstuvą išjungsite. LCD ekranas išsijungs per tam tikrą laiką po to, kai atleisite jungiklį.

TURBO režimas

Kol oro greičio jungiklis yra nuspaustas ir laikomas, paspauskite „Turbo“ mygtuką, kad padidintumėte oro srauto greitį iki didžiausio (I1 pav.). LCD ekrane užsidega TURBO indikatorius ir ventiliatoriaus piktograma (I3 pav.).

PASTABA: Atleidus TURBO mygtuką, atkuriamas prieš tai naudotas pūstuvo pūtimo greitis.

Greičio fiksavimo režimas

Greičio fiksavimo režimu galima nepertraukiamai dirbti nespaudžiant oro srauto greičio jungiklio.

1. Spauskite oro srauto greičio jungiklį, kol pasieksite norimą greitį (I1 pav.).
2. Paspauskite greičio fiksavimo mygtuką. LCD ekrane užsidega greičio fiksavimo piktograma (I4 pav.).
3. Atleiskite oro srauto greičio jungiklį ir pūstuvą toliau veiks „fiksuoti“ greičiu.

PASTABA. Paspaudus TURBO greičio mygtuką, kai veikia greičio fiksavimo režimas, galima užfiksuoti maksimalų oro srauto greitį. Dar kartą paspaudus TURBO greičio mygtuką, pūstuvą vėl pradės veikti anksčiau nustatytu greičiu.

4. Norėdami atlaisvinti greičio fiksatorių, dar kartą paspauskite greičio fiksavimo mygtuką. Greičio fiksavimo piktograma išnyks iš LCD ekrano ir pūstuvą išsijungs.

I1-1	TURBO greičio mygtukas	I1-2	Greičio fiksavimo mygtukas
I1-3	Oro srauto greičio jungiklis	I2-1	Įkrovos indikatorius
I2-2	Oro greičio indikatorius	I2-3	Baterijos piktograma
I3-1	Ventiliatoriaus piktograma	I3-2	TURBO indikatorius
I4-1	Greičio fiksavimo piktograma		

RYŠIO TECHNOLOGIJA

Norėdami sužinoti informacijos apie visus mūsų prijungiamuosius gaminius ir paslaugas, įskaitant prijungimo instrukcijas, nuskaitykite toliau pateiktą QR kodą arba apsilankykite svetainėje

www.egopowerplus.eu/connect.



PŪSTUVO NAUDOJIMO PATARIMAI

- Kad neišsklaidytumėte šiukšlių, pūskite palei šiukšlių krūvos išorinius kraštus. Niekada nepūskite tiesiai į šiukšlių krūvos vidurį.
- Norėdami sumažinti triukšmo lygį, tuo pat metu naudokite mažiau įrenginių.
- Prieš pūsdami šiukšles, pasklaidykite jas grėbliu arba šluota. Jei įmanoma, dulkečioje aplinkoje šiek tiek sudrėkinkite paviršius vandeniu.
- Būkite atsargūs, kai netoliese yra vaikų, naminių gyvūnų, atvirų langų arba ką tik nuplautų automobilių, ir šiukšles atsargiai nupūskite į šalį.
- Panaudoję pūstuvą arba kitą įrangą, ją nuvalykite! Šiukšles tinkamai išmeskite.

LT

TECHNINĖ PRIEŽIŪRA

⚠ ĮSPĖJIMAS: Vykdydami techninės priežiūros darbus, naudokite tik identiškas atsargines dalis. Naudojant bet kokias kitas dalis, gali kilti pavojus arba sugesti gaminys. Kad būtų užtikrintas saugumas ir patikimumas, visus remonto darbus turi atlikti kvalifikuotas techninės priežiūros specialistas.

⚠️ ĮSPĖJIMAS: Visada išimkite sudėtinę bateriją iš gaminio prieš jį valydami arba prieš atlikdami jo techninės priežiūros darbus, kad išvengtumėte pavojaus sunkiai susižaloti.

BENDROJI PRIEŽIŪRA

Plastikinių dalių nevalykite tirpikliais. Įvairūs komerciniai tirpikliai gali pažeisti įvairių tipų plastiką ir jų naudoti nerekomenduojama. Purvą, dulkes, alyvą, tepalus ir t. t. valykite švaria šluoste.

⚠️ ĮSPĖJIMAS: Niekada neleiskite stabdžių skysčiui, benziniui, naftos produktams, skvarbiai alyvai ir panašioms medžiagoms patekti ant plastikinių dalių. Cheminės medžiagos plastiką gali sugadinti, susilpninti arba suardyti. Dėl to galite sunkiai susižaloti.

⚠️ ĮSPĖJIMAS: Kad sumažintumėte gaisro, sužalojimo ir gaminio sugadinimo dėl trumpojo jungimo riziką, niekada nemerkitė įrenginio, sudėtinės baterijos ar įkroviklio į skystį ir neleiskite skysčiui tekėti į jų vidų. Ėsdinantys arba laidūs skysčiai, pavyzdžiui, jūros vanduo, kai kurios pramoninės cheminės medžiagos, balikliai arba gaminiai su jais ir pan., gali sukelti trumpąjį jungimą.

LAIKYMAS

- Išimkite iš pūstuvo sudėtinę bateriją.
- Nuvalykite visas pašalines medžiagas nuo pūstuve esančių oro įsiurbimo angų.
- Pūstuvo vamzdžio laikymo iškyšą įtaikykite į vamzdžio pakabinimo griovelį ir pakabinkite vamzdį ant baterijų skyriaus korpuso (J1 ir J2 pav.).
- Laikykite uždaroje patalpoje, vaikams nepasiekiamoje vietoje. Laikykite toliau nuo ėsdinančių medžiagų, pvz., sodo chemikalų ir druskų ledui tirpdyti.

LT

J1-1	Pūstuvo vamzdžio laikymo iškyšimas	J1-2	Vamzdžio pakabinimo griovelis
------	------------------------------------	------	-------------------------------

Aplinkos apsauga



Neišmeskite elektros įrangos, panaudotų baterijų ir įkroviklio kartu su buitinėmis atliekomis! Šias atliekas reikia pristatyti į jų surinkimo vietą ar įgaliotam perdirbėjui. Elektrinius įrankius reikia grąžinti į tokių atliekų perdirbimo įmonę.

TRIKČIŲ ŠALINIMAS

PROBLEMA	PRIEŽASTIS	SPRENDIMAS
Pūstuvus neveikia.	<ul style="list-style-type: none"> ■ Sudėtinė baterija neprijungta prie pūstuvo. 	<ul style="list-style-type: none"> ■ Prijunkite sudėtinę bateriją prie pūstuvo.
	<ul style="list-style-type: none"> ■ Nėra elektrinio kontakto tarp pūstuvo ir akumulatoriaus. 	<ul style="list-style-type: none"> ■ Išimkite sudėtinę bateriją, patikrinkite kontaktus ir vėl ją įstatykite.
	<ul style="list-style-type: none"> ■ Sudėtinė baterija visiškai išsikrovusi. 	<ul style="list-style-type: none"> ■ Įkraukite sudėtinę bateriją.
	<ul style="list-style-type: none"> ■ Sudėtinė baterija arba pūstuvus pernelyg įkaitę. 	<ul style="list-style-type: none"> ■ Atvėsinkite sudėtinę bateriją ir pūstuvą, kad jų temperatūra nukristų žemiau 67 °C.
	<ul style="list-style-type: none"> ■ Sugadintas oro srauto greičio jungiklis. 	<ul style="list-style-type: none"> ■ Kreipkitės į EGO klientų aptarnavimo tarnybą dėl remonto.
	<ul style="list-style-type: none"> ■ Sudėtinė baterija arba pūstuvus pernelyg atšalę. 	<ul style="list-style-type: none"> ■ Išimkite sudėtinę bateriją ir leiskite baterijai bei pūstuvui patalpoje sušilti. Rekomenduojama visiškai įkrauti sudėtinę bateriją ir paleisti pūstuvą mažu greičiu, neįjungiant „Turbo“ režimo.
Greičio fiksavimo režimo įjungti arba išjungti negalima.	<ul style="list-style-type: none"> ■ Sugadintas greičio fiksavimo mygtukas. 	<ul style="list-style-type: none"> ■ Kreipkitės į EGO klientų aptarnavimo tarnybą dėl remonto.
Oro srauto greitis pastebimai sumažėja.	<ul style="list-style-type: none"> ■ Per maža baterijos įkrova. 	<ul style="list-style-type: none"> ■ Įkraukite sudėtinę bateriją.
	<ul style="list-style-type: none"> ■ Per didelis variklio ventiliatoriaus nusidėvėjimas. 	<ul style="list-style-type: none"> ■ Dėl remonto kreipkitės į EGO techninės priežiūros centrą.
	<ul style="list-style-type: none"> ■ Šiukšlės užkimo oro įsiurbimo angą. 	<ul style="list-style-type: none"> ■ Išimkite sudėtinę bateriją ir išvalykite šiukšles.
LCD ekranas neveikia tinkamai.	<ul style="list-style-type: none"> ■ Pažeistas LCD ekranas arba laidų jungtis. 	<ul style="list-style-type: none"> ■ Dėl remonto kreipkitės į EGO techninės priežiūros centrą.
LCD ekrane įkrovos matuoklio žiede mirksi 1 LED indikatorius.	<ul style="list-style-type: none"> ■ Per maža baterijos įkrova. 	<ul style="list-style-type: none"> ■ Įkraukite sudėtinę bateriją.

LT

GARANTIJA

EGO GARANTIJOS Taisyklės

Norėdami sužinoti visas EGO garantijos sąlygas ir nuostatas, apsilankykite interneto svetainėje adresu egopowerplus.eu.

IZLASIET VISUS NORĀDĪJUMUS!



IZLASIET LIETOTĀJA ROKASGRĀMATU

⚠ BRĪDINĀJUMS! Lai garantētu drošu un uzticamu instrumenta darbību, visi remontdarbi jāveic kvalificētam servisa speciālistam.

DROŠĪBAS SIMBOLI

Drošības apzīmējumi ir paredzēti, lai pievērstu jūsu uzmanību iespējamiem apdraudējumiem. Pievērsiet uzmanību drošības apzīmējumiem un to skaidrojumiem, un izprotiet tos. Brīdinājumu apzīmējumi paši par sevi nenovērš apdraudējumu. Tajos ietvertie norādījumi un brīdinājumi neaizstāj atbilstošu negadījumu novēršanas pasākumu īstenošanu.

⚠ BRĪDINĀJUMS! Pirms šīs iekārtas lietošanas izlasiet un izprotiet visus šajā lietotāja rokasgrāmatā iekļautos drošības norādījumus, tostarp visus drošības brīdinājuma apzīmējumus, piemēram, „**BĪSTAMI!**”, „**BRĪDINĀJUMS!**” un „**UZMANĪBU!**”. Visu turpmāk uzskaitīto norādījumu neievērošana var izraisīt elektriskās strāvas triecienu, aizdegšanos un/vai smagus miesas bojājumus.

SIMBOLA NOZĪME

⚠ DROŠĪBAS BRĪDINĀJUMA APZĪMĒJUMS: Norāda signālvārdu **BRIESMAS**, **BRĪDINĀJUMS** vai **UZMANĪBU**; var būt norādīts kopā ar citiem apzīmējumiem vai piktogrammām.

DROŠĪBAS INSTRUKCIJA

Šajā lapaspusē ir parādīti un aprakstīti drošības apzīmējumi, kas var būt norādīti uz šī izstrādājuma. Pirms instrumenta salikšanas un lietošanas izlasiet, izprotiet un ievērojiet visus norādījumus par instrumentu.



Drošības brīdinājums



Lai mazinātu traumu gūšanas risku, lietotājam pirms šī izstrādājuma lietošanas jāizlasa lietotāja rokasgrāmata.

LV



Strādājot ar šo instrumentu, vienmēr izmantojiet dzirdes aizsarglīdzekļus.



Šī izstrādājuma darbināšanas laikā vienmēr valkājiet aizsargbrilles vai aizsargbrilles ar sānu aizsargiem un pilnu sejas aizsargmasku.



Raugieties, lai vismaz 15 m attālumā neviena nebūtu.



Šis izstrādājums atbilst piemērojamām EK direktīvām.

UK
CA

Šis izstrādājums atbilst piemērojamajiem Apvienotās Karalistes tiesību aktiem.



Elektrisko izstrādājumu atkritumus nedrīkst izmest kopā ar sadzīves atkritumiem. Nogādāt uz pilnvarotu pārstrādes punktu.



Līdzstrāva



Bluetooth® simbols

IPX5

Aizsardzība pret ūdens strūkļām



Garantētais skaņas intensitātes līmenis. Trokšņa emisija vidē atbilstoši Eiropas Kopienas direktīvai.

V Spriegums

°C Celsijs

N Ņūtons

kg Kilograms

m³/h Kubikmetri stundā

m/s Metrs sekundē

SPECIFIKĀCIJAS

Spriegums	56 V	
Maksimālais gaisa daudzums	1360 m ³ /h	
Maksimālais gaisa plūsmas ātrums	85 m/s	
Maksimālais pūšanas spēks	26 N	
Aptuvenais darbības laiks	Ar diviem 6,0 Ah akumulatoru blokiem	24 min. (Turbo)
		32 min. (lielā ātrumā)
		120 min. (mazā ātrumā)
	Ar diviem 7,5 Ah akumulatoru blokiem	30 min. (Turbo)
		40 min. (lielā ātrumā)
		150 min. (mazā ātrumā)
	Ar diviem 10 Ah akumulatoru blokiem	40 min. (Turbo)
		52 min. (lielā ātrumā)
		200 min. (mazā ātrumā)
	Ar diviem 12 Ah akumulatoru blokiem	48 min. (Turbo)
		63 min. (lielā ātrumā)
		240 min. (mazā ātrumā)
Bluetooth darbības frekvenču josla	2400 - 2438 MHz	
Bluetooth maksimālā pārraides jauda	5 dBm	
Svars (bez akumulatoru bloka)	7,7 kg	
Ieteicamā darba temperatūra	-15 °C līdz 40 °C	
Ieteicamā uzglabāšanas temperatūra	-20 °C līdz 70 °C	
Izmērītais skaņas jaudas līmenis L _{WA}	97 dB(A) K=1,1 dB(A)	
Trokšņa spiediena līmenis pie lietotāja auss L _{PA}	82 dB(A) K=3 dB(A)	
Garantētais skaņas intensitātes līmenis L _{WA} (mērīts saskaņā ar 2000/14/EK)	98 dB(A)	
Vibrācijas a _h	0,35 m/s ² K=1,5 m/s ²	

■ Norādītā vibrāciju kopējā vērtība ir izmērīta saskaņā ar standarta pārbaudes metodi un var tikt izmantota, lai salīdzinātu vairākus instrumentus;

■ Deklarēto vibrāciju emisijas vērtību var arī lietot iepriekšējai vibrāciju iedarbības novērtēšanai.

PIEZĪME! Vibrāciju emisijas faktiskajā elektroinstrumenta darbināšanas laikā var atšķirties no norādītās vērtības. Lai pasargātu operatoru, lietotājam jāvalkā cimdi un dzirdes aizsarglīdzekļi atbilstoši faktiskajiem darba apstākļiem.

IEPAKOJUMA SATURA SARAKSTS (A1 ATT.)

APRAKSTS

IEPAZĪSTIET SAVU PŪTĒJU (A1 att.)

1. Regulējams atbalsta stiprinājums
2. Pūtēja — caurules uzglabāšanas poga
3. Mugursomas tipa plāksne
4. Vadības rokturis
5. Konusveida uzgalis
6. Pūtēja caurule
7. Vadības roktura caurule
8. Plēšas
9. Gaisa ieplūde
10. Palīgrokturis
11. Elektriskie kontakti
12. Slēgmehānisms
13. Akumulatora atbrīvošanas pogas
14. Turētājs
15. Ātruma bloķēšanas poga
16. LCD ekrāns
17. Turbo poga
18. Gaisa pūšanas ātruma pārslēgs
19. Caurules uzkares rievā
20. Ātrās atlaišanas sviras
21. Bluetooth indikators
22. Degvielas mērītājs
23. Ventilatora ikona
24. Turbo indikators

LV

25. Gaisa ātruma indikators
26. Ātruma bloķēšanas ikona
27. Akumulatoru ikona

MONTĀŽA

⚠ BRĪDINĀJUMS! Ja kāda daļa ir bojāta vai trūkst, nedarbiniet šo izstrādājumu, kamēr nav nomainīta bojātā daļa. Darbinot šo izstrādājumu ar bojātām vai trūkstošām daļām, varat gūt smagus miesas bojājumus.

⚠ BRĪDINĀJUMS! Nemēģiniet pārveidot šo ierīci vai izveidot piederumus, kas nav ieteicami lietošanai kopā ar šo pūtēju. Jebkādi šādi uzlabojumi vai pārveidojumi ir uzskatāmi par neatbilstošiem lietošanai un var radīt bīstamus apstākļus, kas var izraisīt nopietnus ievainojumus.

⚠ BRĪDINĀJUMS! Lai nepieļautu nejašu instrumenta ieslēgšanos, kas var radīt smagas traumas, to saliekot, vienmēr izņemiet no instrumenta akumulatoru bloku.

PŪTĒJA CAURUĻU MONTĀŽA

Vadības roktura caurules pievienošana silfonam

1. Ievietojiet vadības roktura caurules augšējo galu silfonā līdz galam (B1 att.).
2. Stingri pievelciet skrūvi stiprinājuma gredzenam, kas piestiprināts pie silfoniem (B2 att.).

B1-1	Plēšas	B1-2	Savienošanas gredzens
B1-3	Augšējais gals	B1-4	Vadības roktura caurule
B2-1	Skrūve		

LV

Pūtēja caurules pievienošana vadības roktura caurulei

1. Atskrūvējiet un noņemiet ātrās atbrīvošanas sviru un spārnuzgriezni no caurules skavas, kas piestiprināta pie pūtēja caurules (C1 att.).
2. Savienojiet pūtēja caurules rievu ar vadības roktura caurules izcilni, uzbīdīet pūtēja cauruli uz vadības roktura caurules, cik vien tālu iespējams (C2 att.).
3. Ievietojiet ātrās atbrīvošanas sviras tapu un aizveriet sviru uz caurules skavas (C3 att.).
4. Pievelciet spārnuzgriezni, lai nostiprinātu caurules skavu (C4 att.).

C1-1	Pūtēja caurule	C1-2	Caurules skava
C1-3	Ātrās atlaišanas svira	C1-4	Spārnuzgrieznis
C2-1	Pūtēja caurule	C2-2	Vadības roktura caurule
C2-3	Rieva	C2-4	Izcilnis
C3-1	Tapu		

Konusveida uzgaļa savienošana ar pūtēja cauruli

1. Savienojiet uzgaļa rievu ar caurules fiksatoru. Uzlieciet uzgali uz caurules un piespiediet, līdz tas stingri nofiksējas (D1 att.).
2. **Lai noņemtu uzgali**, nospiediet un pieturiet uzgaļa atbrīvošanas pogu, lai atbrīvotu fiksatoru, un pēc tam noņemiet uzgali no pūtēja caurules, to paveicot (D2 att.).

D1-1	Uzgaļa atbrīvošanas poga	D1-2	Slēgmehānisms
------	--------------------------	------	---------------

EKSPLUATĀCIJA

⚠ BRĪDINĀJUMS! Saglabājiet modrību visu griezējinstrumenta lietošanas laiku. Neaizmirstiet, ka pat mīkls neuzmanības var izraisīt nopietnu traumu.

⚠ BRĪDINĀJUMS! Nelietojiet pierces vai piederumus, ko nav ieteicis šī izstrādājuma ražotājs. Šādu neapstiprinātu palīgierīču vai piederumu lietošana var radīt nopietnus ievainojumus.

⚠ BRĪDINĀJUMS! Vienmēr izņemiet akumulatorus no instrumenta, kad montējat daļas, noregulējat, tīrāt vai tad, kad instruments netiek lietots. Akumulatoru izņemšana ļaus izvairīties no nejašas iedarbināšanas, kas varētu izraisīt nopietnus savainojumus.

Pirms katras lietošanas reizes pārbaudiet visu ierīci, vai tā nav bojāta, vai tai netrūkst kādas detaļas vai arī tā nav atskrūvējusies, piemēram, skrūves, uzgriežņi, bultskrūves, vāciņi utt. Stingri pievelciet visus stiprinājumus un vāciņus un nedarbiniet produktu, kamēr nav nomainītas visas trūkstošās vai bojātās daļas.

PIELIETOJUMS

Šo izstrādājumu var lietot tālāk norādītajiem mērķiem:

- Lapu un dažādu pagalma grūžu tīrīšanai no zālājiem un mulčas dobēm.
- Cietu virsmu attīrīšanai, piemēram, piebraucamajiem ceļiem un gājēju celiņiem.

- Celiņu un piebraucamo ceļu attīrīšanai no lapām un skujām.

PIEZĪME! Instrumentu drīkst izmantot tikai aprakstītajam mērķim. Izmantošana jebkādā citā veidā ir uzskatāma par neatbilstošu.

AKUMULATORU BLOKA IEVIETOŠANA/IZŅĒMŠANA

Izmantojiet kopā tikai ar A2 attēlā norādītajiem EGO akumulatoru blokiem un lādētājiem.

Sīkāku informāciju izlasiet attiecīgā akumulatoru bloka un lādētāja rokasgrāmatā.

Pirms pirmās lietošanas reizes akumulators ir pilnībā jāuzlādē.

PIEZĪME! Lai nodrošinātu vislabāko veiktspēju, mēs iesakām izmantot EGO 56V akumulatoru bloku BA3360T (6,0 Ah) vai citus EGO 56V akumulatoru blokus ar lielāku Ah nominālo vērtību.

Pūtējam ir divas aktīvas akumulatora pieslēgvietas, kas atrodas akumulatora pieslēgvietas korpusa kreisajā un labajā pusē.

PIEZĪME! Pūtējs var darboties ar vienu vai diviem akumulatoriem. Divu akumulatoru izmantošana nodrošina ilgāku darbības laiku un efektīvu enerģijas patēriņu, ko pārvalda tehnoloģija PEAK POWER™.

Kad akumulatoru bloki ir ievietoti atbilstošajās akumulatoru pieslēgvietās, kas uz mugursomas plāksnes ir atzīmētas ar 1 vai 2, un tiek ieslēgts pūtējs, LCD ekrānā izgaismosies atbilstošā akumulatora ikona (E1 att.).

Ievietošana (E2 att.)

Novietojiet akumulatora valnīšus iepretim ievietošanas rievām un piespiediet akumulatoru bloku, līdz dzirdat „klikšķa” skaņu. Ievietojiet otru akumulatoru bloku.

Izņemšana

Nospiediet akumulatora atbrīvošanas pogu un izņemiet akumulatoru.

⚠ BRĪDINĀJUMS! Vienmēr pārbaudiet, kāds ir pamats zem kājām un vai tuvumā neatrodas bērni vai dzīvnieki, kad nospiežat akumulatora atbrīvošanas pogu. Zemē nokritis akumulators var izraisīt smagas traumas. NEKAD neizņemiet akumulatoru, kamēr atrodiēties augstumā.

E1-1	Akumulatora pieslēgvietu skaits	E1-2	LCD ekrāns
E1-3	Akumulatoru ikona	E2-1	Akumulatora izcilnis

E2-2	Stiprinājuma rievā	E2-3	Akumulatora atbrīvošanas poga
------	--------------------	------	-------------------------------

MUGURSOMAS TIPĀ PŪTĒJA NOVIEĻOŠANA

⚠ BRĪDINĀJUMS! Ģērbieties atbilstīgi, lai mazinātu traumu rašanās draudus, lietojot šo iekārtu. Nevalkājiet vaļīgu apģērbu vai rotaslietas. Izmantojiet acu un dzirdes aizsarglīdzekļus. Valkājiet izturīgas, garas bikses, apavus un cimdus. Nevalkājiet īsas bikses, sandales; neejiet basām kājām.

Pirms mugursomas tipa pūtēja lietošanas pārliecinieties, ka operators ir lietojis acu aizsarglīdzekļus un atbilstošu apģērbu un var droši un līdzsvaroti nostāties uz zemes.

Lai noregulētu atbalsta stiprinājumu:

1. Izvelciet rokas cauri mugursomas siksnām, lai atbalstītu uz muguras pūtēju.
2. Noregulējiet plecu siksnas sev ērtā pozīcijā (F1 att.) tā, lai jūsu elkonis atrastos ērtā stāvoklī.
3. Nofiksējiet krūškurvja sprādzi un, ja nepieciešams, noregulējiet krūšu siksnas garumu (F2 att.).
4. Satveriet vidukļa sprādzi un noregulējiet tās garumu tā, lai mugursoma drošā stāvoklī atbalstītos uz gurniem (F3 un F4 att.).

PIEZĪME! Mugursomai nav jāatrodas pārāk augstu uz muguras; tai jābūt tuvāk pie gurniem nekā pleciem.

⚠ BRĪDINĀJUMS! Avārijas gadījumā nekavējoties atļaiet krūšu un jostas sprādzes, lai noņemtu mugursomas siksnu katrā pusē. Šī ir ātras atbrīvošanas metode.

5. Vēlreiz noregulējiet plecu siksnas drošības nolūkam un ērtumam. Mugursomai uz muguras jābūt droši piestiprinātai un vidukļa siksnai ir jāatbalsta tās svars; pārvietošanās laikā neveiciet liekas kustības (F5 att.).
6. Atlikušos gurnu siksnas galus ieveriet aiz gumijas uz abām pusēm (F6 att.).
7. Lai noņemtu mugursomu no muguras, vienkārši nospiediet vidukļa un krūšu sprādzes, lai tās atsprādzētos, un nolaidiet uz leju pūtēju (F7 att.).

F1-1	Plecu siksnā	F2-1	Krūšu sprādze
F3-1	Vidukļa sprādze	F6-1	Elastīgs
F6-2	Papildu siksnas garums		

LV

Lai noregulētu vadības rokturi:

1. Atlaidiet ātrās atbrīvošanas sviru, lai pēc vajadzības pārvietotu vadības rokturi uz priekšu vai atpakaļ (G1 un G2 att.), un pēc tam ieslēdziet ātrās atbrīvošanas sviru, lai nostiprinātu vadības rokturi.
2. Lai rokturis būtu ērts, jūs to varat arī pagriezt (G3 att.).

G1-1	Vadības rokturis	G1-2	Ātrās atlaišanas svira
------	------------------	------	------------------------

Vadības roktura caurules garuma regulēšana (H1, H2 att.)

1. Atlaidiet ātrās atbrīvošanas sviru.
2. Pārvietojiet pūtēja cauruli ērtā darbības pozīcijā regulēšanas zonā (H1 att.).
3. Lai nostiprinātu pūtēja cauruli, ieslēdziet ātrās atbrīvošanas sviru (H2 att.).

H1-1	Pūtēja caurule	H1-2	Ātrās atlaišanas svira
H2-1	Regulēšanas zona		

PŪTĒJA IESLĒGŠANA/IZSLĒGŠANA

PIEZĪME: Pūtējs var nedarboties pareizi, ja akumulatoru bloka vai pūtēja temperatūra nokrīt zem -15 °C grādiem vai zemāk. Šādā gadījumā izņemiet akumulatoru bloku no pūtēja, ļaujiet akumulatoru blokam un pūtējam 10 minūtes vai ilgāk sasilt telpās. Ielieciet atpakaļ akumulatoru bloku un mēģiniet vēlreiz iedarbināt ierīci.

Gaisa pūšanas ātruma pārslēgs (I1 un I2 attēls)

- Nospiediet gaisa pūšanas ātruma pārslēgu, lai ieslēgtu pūtēju, pēc tam LCD ekrānā parādīsies degvielas rādītājs, akumulatora ikona un gaisa pūšanas ātruma indikators.

PIEZĪME! Kad ir zems akumulatora uzlādes līmenis, LCD ekrānā mirgo 1 degvielas mērītāja LED indikators.

- Pūtēja gaisa pūšanas ātrumu regulē ar dažādu ātrumu pārslēgu. Piespiežot pārslēgu stingrāk, rodas lielāks gaisa pūšanas ātrums; piespiežot mazāk — lēnāks pūšanas ātrums. Pielāgojiet veicamajiem darbiem nepieciešamo ātrumu. LCD ekrānā tiks parādīts attiecīgais gaisa pūšanas ātruma indikators.
- Lai izslēgtu pūtēju, atlaidiet gaisa pūšanas ātruma pārslēgu. LCD ekrāns izslēgsies noteiktā laika periodā pēc pārslēga atbrīvošanas.

Turbo režīms

Nospiežot un turot nospiestu gaisa pūšanas ātruma pārslēgu, nospiediet turbo pogu, lai palielinātu gaisa plūsmu līdz maksimālajam ātrumam (I1 att.). LCD ekrānā iedegas gan turbo indikators, gan arī ventilatora ikona (I3 att.).

PIEZĪME: Atlaižot turbo pogu, pūtējs atgriežas pie iepriekšējā ātruma.

Fiksēta ātruma bloķēšanas režīms

Ātruma bloķēšanu var izmantot, lai darbinātu pūtēju, nepārtraukti nospiežot gaisa pūšanas ātruma pārslēgu.

1. Nospiediet gaisa pūšanas ātruma pārslēgu, līdz tiek sasniegts vēlamais pūšanas ātrums (I1 att.).
2. Nospiediet pūšanas ātruma bloķēšanas pogu. LCD ekrānā iedegas ātruma bloķēšanas ikona (I4 att.).
3. Atlaidiet gaisa pūšanas ātruma pārslēgu, pūtējs turpinās darboties izvēlētajā ātrumā.
PIEZĪME! Nospiežot turbo pogu fiksēta ātruma bloķēšanas režīmā, gaisa pūšanas ātrumu var nofiksēt maksimālajā līmenī. Vēlreiz nospiežot turbo pogu, pūtējs atsāks darboties iepriekš izvēlētajā ātrumā.

4. Lai atbrīvotu ātruma bloķētāju, ierīz nospiediet fiksētā ātruma bloķēšanas pogu. Fiksētā ātruma bloķēšanas ikona pazudīs no LCD ekrāna, un pūtējs izslēgsies.

I1-1	Turbo pogu	I1-2	Ātruma bloķēšanas pogu
I1-3	Gaisa pūšanas ātruma pārslēgs	I2-1	Degvielas mērītājs
I2-2	Gaisa ātruma indikators	I2-3	Akumulatoru ikona
I3-1	Ventilatora ikona	I3-2	Turbo indikators
I4-1	Ātruma bloķēšanas ikona		

KOMUNIKĀCIJAS TEHNOLOĢIJA

Lai iegūtu informāciju vai saņemtu mūsu savienojamo izstrādājumu un pakalpojumu pilnu klāstu, tostarp savienojuma izveides instrukcijas, lūdzam noskenēt tālāk norādīto QR kodu vai apmeklēt tīmekļa vietni www.egopowerplus.eu/connect.



PŪTĒJA LIETOŠANAS IETEIKUMI

- Lai izvairītos no grūžu izmētāšanas, pūtiēt apkārt grūžu kaudzes ārējām malām. Nekad nepūtiēt tieši kaudzei pa vidu.
- Lai samazinātu trokšņu līmeni, ierobežojiet vienlaicīgi izmantoto iekārtu skaitu.
- Izmantojiet grābekļus un slotas grūžu notīrīšanai pirms pūšanas. Puteklainos apstākļos nedaudz samitriniet virsmu, ja ir pieejams ūdens.
- Raugieties, lai tuvumā nebūtu bērni, dzīvnieki, atvērti logi vai tikko mazgātas automašīnas, lai droši varētu izpūst grūžus.
- Pēc pūtēja vai cita aprīkojuma lietošanas sakopiet teritoriju! Atbrīvojieties no grūžiem pareizā veidā.

APKOPE

⚠ BRĪDINĀJUMS! Veicot apkopi, izmantojiet tikai identiskas rezerves daļas. Jebkuru citu daļu izmantošana var radīt apdraudējumu vai instrumenta bojājumus. Lai garantētu drošu un uzticamu instrumenta darbību, visi remontdarbi jāveic kvalificētam servisa speciālistam.

⚠ BRĪDINĀJUMS! Lai izvairītos no nopietnu traumu gūšanas, vienmēr pirms tīrīšanas vai apkopes darbu veikšanas izņemiet no produkta akumulatoru bloku.

VISPĀRĒJĀ APKOPE

Plastmasas detaļu tīrīšanai neizmantojiet šķīdinātājus. Vairums plastmasu ir uzņēmīgas pret dažāda veida komerciālu šķīdinātāju radītiem bojājumiem un, tos izmantojot, var tikt sabojātas. Lai notīrītu netīrumus, putekļus, eļļu, smērvielas u.c., izmantojiet tīras lupatiņas.

⚠ BRĪDINĀJUMS! Nekad neļaujiet bremžu šķidrumiem, degvielai, uz naftu bāzētiem izstrādājumiem, iestrādes eļļām u.tml. nonākt saskarē ar plastmasa daļām. Ķīmiskās vielas var radīt bojājumus, kā arī mazināt plastmasas daļas izturību vai iznīcināt tās, radot smagus miesas bojājumus.

⚠ BRĪDINĀJUMS! Lai samazinātu īssavienojuma rašanās risku, kas izraisa ugunsgrēka, miesas bojājumu un iekārtas bojājumu draudus, nekad neiegremdējiet iekārtu, akumulatoru bloku vai lādētāju šķīdumā un neļaujiet šķīdramam tajos iekļūt. Īssavienojumu var izraisīt korozīvi vai vadītspējīgi šķidrums, piemēram, jūras ūdens, noteiktas rūpnieciskās ķīmikālijas un balinātāji vai balinātājus saturoši produkti utt.

UZGLABĀŠANA

- Izņemiet pūtēja akumulatoru bloku(s) no pūtēja.
- Notīriet visus svešķermeņus no pūtēja gaisa ievades atverēm.
- Salāgojiet pūtēja — caurules uzglabāšanas pogu ar caurules uzkares rievu un uzkariniet pūtēja cauruli uz akumulatora pieslēgvietas korpusa (J1 un J2 att.).
- Glabājiet slēgtā, bērniem nepieejamā telpā. Sargājiet no kodīgiem līdzekļiem, piemēram, dārza ķīmikālijām un pretapledojouma šājiem.

J1-1	Pūtēja — caurules uzglabāšanas poga	J1-2	Caurules uzkares rievā
------	-------------------------------------	------	------------------------

Apkārtējās vides aizsardzība



Neutilizējiet elektrisko aprīkojumu, izlietoto akumulatoru un lādētāju sadzīves atkritumos! Nogādājiet šo produktu uz pilnvarotu pārstrādes punktu un sagatavojiet atkritumu šķirošanai.

Elektriskos instrumentus jānogādā videi nekaitīgā pārstrādes rūpnīcā.

BLĒMU NOVĒRŠANA

PROBLĒMA	CĒLONIS	RISINĀJUMS
Pūtējs nedarbojas.	<ul style="list-style-type: none"> ■ Akumulators nav pievienots pūtējam. 	<ul style="list-style-type: none"> ■ Ievietojiet akumulatoru bloku pūtējā.
	<ul style="list-style-type: none"> ■ Starp pūtēju un akumulatoru nav elektriskā kontakta. 	<ul style="list-style-type: none"> ■ Izņemiet akumulatoru bloku, pārbaudiet kontaktus un ievietojiet akumulatoru bloku atpakaļ.
	<ul style="list-style-type: none"> ■ Akumulatoru bloks ir izlādējies. 	<ul style="list-style-type: none"> ■ Uzlādējiet akumulatoru bloku.
	<ul style="list-style-type: none"> ■ Akumulatoru bloks vai pūtējs ir pārāk sakarsis. 	<ul style="list-style-type: none"> ■ Atdzišējiet akumulatoru bloku un pūtēju, līdz temperatūra nokrītās zem 67 °C.
	<ul style="list-style-type: none"> ■ Bojāts gaisa pūšanas ātruma slēdža mehānisms. 	<ul style="list-style-type: none"> ■ Ja nepieciešams veikt labošanas darbus, sazinieties ar EGO klientu apkalpošanas nodaļu.
	<ul style="list-style-type: none"> ■ Akumulatoru bloks vai pūtējs ir pārāk auksts. 	<ul style="list-style-type: none"> ■ Izņemiet akumulatoru bloku, ļaujiet akumulatoru blokam un pūtējam sasilt telpās. Ieteicams pilnībā uzlādēt akumulatoru bloku un iedarbināt pūtēju ar zemu ātrumu, neieslēdzot turbo režīmu.
Fiksēta ātruma bloķēšanas režīmu nevar ieslēgt vai izslēgt.	<ul style="list-style-type: none"> ■ Bojāta fiksēta ātruma bloķēšanas poga. 	<ul style="list-style-type: none"> ■ Ja nepieciešams veikt labošanas darbus, sazinieties ar EGO klientu apkalpošanas nodaļu.
Gaisa pūšanas ātrums ir ievērojami zemāks.	<ul style="list-style-type: none"> ■ Akumulatora uzlādes līmenis ir zems. 	<ul style="list-style-type: none"> ■ Uzlādējiet akumulatoru bloku.
	<ul style="list-style-type: none"> ■ Pārmērīgs motora ventilatora nodilums. 	<ul style="list-style-type: none"> ■ Sazinieties ar EGO servisu, lai veiktu remontu.
	<ul style="list-style-type: none"> ■ Gruži gaisa ieplūdes atverē. 	<ul style="list-style-type: none"> ■ Izņemiet akumulatoru bloku, izfrietiet gružus.
LCD ekrāns nedarbojas pareizi.	<ul style="list-style-type: none"> ■ LCD ekrāns vai vadu savienojums ir bojāts. 	<ul style="list-style-type: none"> ■ Sazinieties ar EGO servisu, lai veiktu remontu.
LCD ekrānā mirgo 1 degvielas rādītāja LED indikators.	<ul style="list-style-type: none"> ■ Akumulatora uzlādes līmenis ir zems. 	<ul style="list-style-type: none"> ■ Uzlādējiet akumulatoru bloku.

LV

GARANTIJA

EGO GARANTIJAS POLITIKA

Lūdzam apmeklēt tīmekļa vietni egopowerplus.eu, kur pieejama pilna EGO garantijas politikas noteikumu un nosacījumu versija.

ΔΙΑΒΑΣΤΕ ΟΛΕΣ ΤΙΣ ΟΔΗΓΙΕΣ!



ΔΙΑΒΑΣΤΕ ΤΟ ΕΓΧΕΙΡΙΔΙΟ ΧΡΗΣΗΣ

⚠️ ΠΡΟΕΙΔΟΠΟΙΗΣΗ: Προκειμένου να διασφαλιστεί η ασφάλεια και η αξιοπιστία, όλες οι επισκευές πρέπει να διενεργούνται από εξειδικευμένο τεχνικό του σέρβις.

ΣΥΜΒΟΛΑ ΑΣΦΑΛΕΙΑΣ

Ο σκοπός των συμβόλων ασφαλείας είναι να σας επιστήσουν την προσοχή σε ενδεχόμενους κινδύνους. Λαμβάνετε υπόψη και εξοικειωθείτε με τα σύμβολα ασφαλείας και τις επεξηγήσεις που τα συνοδεύουν. Τα σύμβολα προειδοποίησης από μόνα τους δεν εξαλείφουν κανέναν κίνδυνο. Οι οδηγίες και οι προειδοποιήσεις που παρέχουν δεν υποκαθιστούν τα ενδεδειγμένα μέτρα πρόληψης ατυχημάτων.

⚠️ ΠΡΟΕΙΔΟΠΟΙΗΣΗ: Βεβαιωθείτε ότι έχετε διαβάσει και κατανοήσει όλες τις οδηγίες ασφαλείας στο παρόν εγχειρίδιο χρήσης, συμπεριλαμβανομένων όλων των συμβόλων ασφαλείας, όπως «**ΚΙΝΔΥΝΟΣ**», «**ΠΡΟΕΙΔΟΠΟΙΗΣΗ**» και «**ΠΡΟΣΟΧΗ**», προτού να χρησιμοποιήσετε αυτό το μηχάνημα. Η μη τήρηση όλων των παρακάτω οδηγιών μπορεί να οδηγήσει σε ηλεκτροπληξία, πυρκαγιά και/ή σοβαρό τραυματισμό.

ΕΠΕΞΗΓΗΣΗ ΣΥΜΒΟΛΩΝ

⚠️ ΣΥΜΒΟΛΟ ΠΡΟΕΙΔΟΠΟΙΗΣΗΣ ΑΣΦΑΛΕΙΑΣ: Υποδηλώνει **ΚΙΝΔΥΝΟ**, **ΠΡΟΕΙΔΟΠΟΙΗΣΗ** ή **ΠΡΟΦΥΛΑΞΗ**, ενώ μπορεί να χρησιμοποιείται σε συνδυασμό με άλλα σύμβολα ή εικονογράμματα.

ΟΔΗΓΙΕΣ ΑΣΦΑΛΕΙΑΣ

Αυτή η σελίδα απεικονίζει και περιγράφει τα σύμβολα ασφαλείας που μπορεί να υπάρχουν επάνω στο προϊόν. Διαβάστε, κατανοείτε και τηρείτε όλες τις οδηγίες στη μηχανή, προτού προσπαθήσετε να εκτελέσετε εργασίες συναρμολόγησης και λειτουργίας.



Προειδοποίηση ασφαλείας



Φοράτε πάντα προστασία ακοής όταν χρησιμοποιείτε αυτό το προϊόν.



Διατηρείτε όλους τους παρευρισκομένους σε απόσταση τουλάχιστον 15 μ.



Αυτό το προϊόν συμμορφώνεται με την ισχύουσα νομοθεσία του Η.Β.



Συνεχές ρεύμα



Προκειμένου να μειωθεί ο κίνδυνος τραυματισμού, ο χρήστης πρέπει να διαβάσει το εγχειρίδιο χρήσης προτού να χρησιμοποιήσει αυτό το προϊόν.



Φοράτε πάντοτε προστατευτικά γυαλιά ή γυαλιά ασφαλείας με πλευρική προστασία και πλήρη προστατευτική προσωπίδα κατά τη λειτουργία αυτού του προϊόντος.



Αυτό το προϊόν συμμορφώνεται με τις εφαρμοστές οδηγίες της ΕΚ.



Τα απόβλητα ειδών ηλεκτρικού και ηλεκτρονικού εξοπλισμού δεν πρέπει να απορριπτούν στα οικιακά απορρίμματα. Πρέπει να παραδίδονται σε εξουσιοδοτημένη μονάδα ανακύκλωσης.



Σύμβολο Bluetooth®

GR

IPX5 Προστασία από πίδακες νερού

V Τάση

°C Βαθμοί Κελσίου

N Newton



Εγγυημένη στάθμη ακουστικής ισχύος.
Εκπομπές θορύβου στο περιβάλλον σύμφωνα με την οδηγία της Ευρωπαϊκής Ένωσης.

kg Κιλό

m³/h Κυβικά μέτρα την ώρα

m/s Μέτρο ανά δευτερόλεπτο

ΤΕΧΝΙΚΕΣ ΠΡΟΔΙΑΓΡΑΦΕΣ

Τάση	56 V		
Μέγιστος όγκος αέρα	1360 m ³ /h		
Μέγιστη ταχύτητα αέρα	85 m/s		
Μέγιστη ισχύς φυσήματος	26 N		
Προσεγγιστικός χρόνος λειτουργίας	Με δύο συστοιχίες μπαταριών 6,0 Ah	24 λεπτά (Turbo)	
		32 λεπτά (Υψηλή ταχύτητα)	
		120 λεπτά (Χαμηλή ταχύτητα)	
	Με δύο συστοιχίες μπαταριών 7,5 Ah	30 λεπτά (Turbo)	
		40 λεπτά (Υψηλή ταχύτητα)	
		150 λεπτά (Χαμηλή ταχύτητα)	
	Με δύο συστοιχίες μπαταριών 10 Ah	40 λεπτά (Turbo)	
		52 λεπτά (Υψηλή ταχύτητα)	
		200 λεπτά (Χαμηλή ταχύτητα)	
	Με δύο συστοιχίες μπαταριών 12 Ah	48 λεπτά (Turbo)	
		63 λεπτά (Υψηλή ταχύτητα)	
		240 λεπτά (Χαμηλή ταχύτητα)	
	Ζώνη συχνότητας λειτουργίας Bluetooth	2400 - 2438 MHz	
	Μέγιστη ισχύς μετάδοσης Bluetooth	5 dBm	
	Βάρος (χωρίς συστοιχία μπαταριών)	7,7 kg	
	Συνιστώμενη θερμοκρασία λειτουργίας	-15°C - 40°C	
Συνιστώμενη θερμοκρασία αποθήκευσης	-20°C - 70°C		

Μετρημένη στάθμη ηχητικής ισχύος L _{WA}	97 dB(A) K=1,1 dB(A)
Στάθμη ηχητικής πίεσης στη θέση χειριστή L _{PA}	82 dB(A) K=3 dB(A)
Εγγυημένο επίπεδο ισχύος ήχου L _{WA} (μέτρηση κατά 2000/14/EE)	98 dB(A)
Κραδασμοί a _n	0,35 m/s ² K=1,5 m/s ²

- Η δηλωθείσα συνολική τιμή κραδασμών έχει μετρηθεί σύμφωνα με πρότυπη μέθοδο δοκιμής και μπορεί να χρησιμοποιηθεί για τη σύγκριση ενός εργαλείου με κάποιο άλλο;
- Η δηλωθείσα συνολική τιμή κραδασμών μπορεί να χρησιμοποιηθεί, επίσης, σε προκαταρκτική αξιολόγηση έκθεσης.

ΣΗΜΕΙΩΣΗ: Η μετάδοση της δόνησης κατά τη διάρκεια της πραγματικής χρήσης του ηλεκτρικού εργαλείου μπορεί να διαφέρει από τη δηλωθείσα τιμή στην οποία χρησιμοποιείται το εργαλείο. Για την προστασία του χειριστή, πρέπει να χρησιμοποιούνται γάντια και ωτοασπίδες υπό πραγματικές συνθήκες χρήσης.

ΚΑΤΑΛΟΓΟΣ ΕΞΑΡΤΗΜΑΤΩΝ ΣΥΣΚΕΥΑΣΙΑΣ (ΕΙΚ. Α1)

ΠΕΡΙΓΡΑΦΗ

ΓΝΩΡΙΣΤΕ ΤΟ ΦΥΣΗΤΗΡΑ ΣΑΣ (ΕΙΚ. Α1)

1. Ρυθμιζόμενος μίαντας υποστήριξης
2. Κουμπί αποθήκευσης σωλήνα φυσήτηρα
3. Πλάκα διάταξης πλάτης
4. Λαβή ελέγχου
5. Κωνικό ακροφύσιο
6. Σωλήνας φυσήτηρα
7. Σωλήνας λαβής ελέγχου

GR

8. Ασκός φυσητήρα
9. Είσοδος αέρα
10. Βοηθητική λαβή
11. Ηλεκτρικές επαφές
12. Μάνταλο
13. Κουμπιά απελευθέρωσης μπαταρίας
14. Λαβή
15. Κουμπί κλειδώματος ταχύτητας
16. Οθόνη LCD
17. Κουμπί Turbo
18. Διακόπτης ταχύτητας αέρα
19. Εγκοπή ανάρτησης σωλήνα
20. Μοχλοί γρήγορης αποδέσμευσης
21. Ένδειξη Bluetooth
22. Δείκτης στάθμης καυσίμου
23. Εικονίδιο ανεμιστήρα
24. Ένδειξη Turbo
25. Ένδειξη ταχύτητας αέρα
26. Εικονίδιο κλειδώματος ταχύτητας
27. Εικονίδιο μπαταρίας

ΣΥΝΑΡΜΟΛΟΓΗΣΗ

⚠️ ΠΡΟΕΙΔΟΠΟΙΗΣΗ: Σε περίπτωση που κάποια από τα εξαρτήματα έχουν υποστεί ζημιά ή λείπουν, μη χρησιμοποιήσετε το προϊόν, μέχρι να αντικατασταθούν. Η χρήση αυτού του προϊόντος με φθαρμένα ή ελλιπή εξαρτήματα μπορεί να έχει ως αποτέλεσμα σοβαρό τραυματισμό.

⚠️ ΠΡΟΕΙΔΟΠΟΙΗΣΗ: Μην επιχειρήσετε να τροποποιήσετε αυτό το εργαλείο ή να δημιουργήσετε εξαρτήματα που δεν συνιστώνται για χρήση με αυτό το φυσητήρα. Κάθε παρόμοια μετατροπή ή τροποποίηση συνιστά κακή χρήση και μπορεί να δημιουργήσει επικίνδυνες καταστάσεις με επακόλουθο τον σοβαρό τραυματισμό.

⚠️ ΠΡΟΕΙΔΟΠΟΙΗΣΗ: Για να εμποδίσετε τυχαία εκκίνηση που θα μπορούσε να προκαλέσει σοβαρό τραυματισμό, απομακρύνετε πάντα τις μπαταρίες από το ηλεκτρικό εργαλείο όταν συναρμολογείτε εξαρτήματα.

ΣΥΝΑΡΜΟΛΟΓΗΣΗ ΤΩΝ ΣΩΛΗΝΩΝ ΦΥΣΗΤΗΡΑ

Σύνδεση του σωλήνα λαβής ελέγχου με τον ασκό φυσητήρα

1. Εισαγάγετε το επάνω άκρο του σωλήνα λαβής ελέγχου στον ασκό φυσητήρα μέχρι τέρμα (Εικ. Β1).
2. Σφίξτε με ασφάλεια τη βίδα στον δακτύλιο σύσφιξης που είναι προσαρτημένος στον ασκό φυσητήρα (Εικ. Β2).

B1-1	Ασκός φυσητήρα	B1-2	Δακτύλιος σύσφιξης
B1-3	Επάνω άκρο	B1-4	Σωλήνας λαβής ελέγχου
B2-1	Βίδα		

Σύνδεση του σωλήνα φυσητήρα με το σωλήνα λαβής ελέγχου

1. Χαλαρώστε και αφαιρέστε το μοχλό γρήγορης αποδέσμευσης και την πεταλούδα από το συγκρότημα σφικκτήρα σωλήνα που είναι προσαρτημένο στο σωλήνα φυσητήρα (Εικ. C1).
2. Ευθυγραμμίστε την αυλάκωση στο σωλήνα φυσητήρα με τη νεύρωση στο σωλήνα λαβής ελέγχου, σύρετε το σωλήνα φυσητήρα πάνω στο σωλήνα λαβής ελέγχου μέχρι τέρμα (Εικ. C2).
3. Εισαγάγετε τον πείρο του μοχλού γρήγορης αποδέσμευσης και κλείστε το μοχλό πάνω στο σφικκτήρα σωλήνα (Εικ. C3).
4. Σφίξτε την πεταλούδα για να ασφαλίσετε το σφικκτήρα σωλήνα (Εικ. C4).

C1-1	Σωλήνας φυσητήρα	C1-2	Σφικκτήρας σωλήνα
C1-3	Μοχλός γρήγορης αποδέσμευσης	C1-4	Πεταλούδα
C2-1	Σωλήνας φυσητήρα	C2-2	Σωλήνας λαβής ελέγχου
C2-3	Εγκοπή	C2-4	Αυλάκι
C3-1	Πείρος		

Σύνδεση του κωνικού ακροφυσίου στο σωλήνα φυσητήρα

1. Ευθυγραμμίστε την αυλάκωση στο ακροφύσιο με το μάνταλο στο σωλήνα. Ωθήστε το ακροφύσιο πάνω από το σωλήνα μέχρι να ασφαλίσει στη θέση του (Εικ. D1).
2. **Για να αφαιρέσετε το ακροφύσιο**, πατήστε και κρατήστε πατημένο το κουμπί αποδέσμευσης ακροφυσίου ώστε να απεμπλακεί το μάνταλο, στη συνέχεια τραβήξτε το ακροφύσιο απευθείας από το σωλήνα φυσητήρα (Εικ. D2).

D1-1	Κουμπί αποδέσμευσης ακροφυσίου	D1-2	Μάνταλο
------	--------------------------------	------	---------

GR

ΛΕΙΤΟΥΡΓΙΑ

⚠️ ΠΡΟΕΙΔΟΠΟΙΗΣΗ: Η εξοικείωσή σας με αυτό το προϊόν δε θα πρέπει να σας κάνει λιγότερο προσεκτικούς. Θυμηθείτε πως ένα κλάσμα δευτερολέπτου απροσεξίας μπορεί να προκαλέσει σοβαρό τραυματισμό.

⚠️ ΠΡΟΕΙΔΟΠΟΙΗΣΗ: Μη χρησιμοποιείτε παρελκόμενα που δεν συνιστώνται από τον κατασκευαστή αυτού του προϊόντος. Η χρήση προσαρτημάτων ή παρελκόμενων που δε συνιστώνται ενέχει τον κίνδυνο σοβαρού τραυματισμού.

⚠️ ΠΡΟΕΙΔΟΠΟΙΗΣΗ: Αφαιρείτε πάντα τις μπαταρίες από το προϊόν, όταν συναρμολογείτε μέρη, πραγματοποιείτε ρυθμίσεις, διενεργείτε καθαρισμό ή όταν δεν το χρησιμοποιείτε. Η απομάκρυνση των μπαταριών αποτρέπει την τυχαία εκκίνηση, που θα μπορούσε να επιφέρει σοβαρό τραυματισμό.

Πριν από κάθε χρήση ελέγχετε όλο το προϊόν για φθαρμένα, ελλιπή ή χαλαρά εξαρτήματα όπως βίδες, παξιμάδια, μπουλόνια, πώματα κ.λπ. Σφίξτε με ασφάλεια όλους τους σφικτήρες και τα πώματα και μη θέσετε σε λειτουργία το προϊόν προτού να αποκατασταθούν όλα τα ελλιπή ή φθαρμένα εξαρτήματα.

ΕΦΑΡΜΟΓΗ

Μπορείτε να χρησιμοποιήσετε αυτό το προϊόν για τους ακόλουθους σκοπούς:

- Καθαρισμός φύλλων και διαφόρων υπολειμμάτων κήπου από γκαζόν και υποστρώματα εδαφοκάλυψης.
- Καθαρισμός σκληρών επιφανειών όπως δρομάκια και μονοπάτια.
- Απομάκρυνση φύλλων και πευκοβελόνων από δάπεδα και δρομάκια.

GR

ΣΗΜΕΙΩΣΗ: Το εργαλείο πρέπει να χρησιμοποιείται μόνο για την προβλεπόμενη χρήση. Οποιαδήποτε άλλη χρήση θα εκληφθεί ως καταχρηστική.

ΠΡΟΣΑΡΤΗΣΗ/ΑΠΟΜΑΚΡΥΝΣΗ ΤΗΣ ΣΥΣΤΟΙΧΙΑΣ ΜΠΑΤΑΡΙΩΝ

Χρησιμοποιείτε μόνο τις συστοιχίες μπαταριών και τους φορτιστές της EGO που αναφέρονται στην Εικ. Α2.

Ανατρέξτε στα αντίστοιχα εγχειρίδια των συστοιχιών μπαταριών και των φορτιστών για περισσότερες λεπτομέρειες.

Φορτίστε πλήρως πριν από την πρώτη χρήση.

ΣΗΜΕΙΩΣΗ: Για βέλτιστη απόδοση, συνιστούμε τη χρήση της συστοιχίας μπαταριών EGO 56V BA3360T (6,0 Ah) ή άλλων συστοιχιών μπαταριών EGO 56V με υψηλότερη τιμή Ah.

Ο φυσητήρας έχει δύο ενεργές υποδοχές μπαταρίας που βρίσκονται αριστερά και δεξιά από το περίβλημα υποδοχής μπαταρίας.

ΣΗΜΕΙΩΣΗ: Ο φυσητήρας μπορεί να λειτουργεί με μία ή δύο μπαταρίες. Η χρήση δύο μπαταριών παρέχει μεγαλύτερο χρόνο λειτουργίας και αποτελεσματική κατανάλωση ενέργειας χάρη στην τεχνολογία PEAK POWER™.

Όταν οι συστοιχίες μπαταριών εισάγονται στις αντίστοιχες υποδοχές μπαταρίας με σήμανση 1 ή 2 στην πλάκα διάταξης πλάτης και ο φυσητήρας ενεργοποιείται, ανάβει το αντίστοιχο εικονίδιο μπαταρίας στην οθόνη LCD (Εικ. Ε1).

Τοποθέτηση (Εικ. Ε2)

Ευθυγραμμίστε τις νευρώσεις της μπαταρίας με τις οπές τοποθέτησης και πιέστε τη συστοιχία μπαταριών προς τα κάτω μέχρι να ακούσετε «κλικ». Συνδέστε την άλλη μπαταρία.

Αφαίρεση

Πιέστε το κουμπί αποδέσμευσης μπαταρίας και βγάλτε έξω τη συστοιχία μπαταριών.

⚠️ ΠΡΟΕΙΔΟΠΟΙΗΣΗ: Λαμβάνετε πάντα υπόψη τη θέση των ποδιών σας, παιδιών ή κατοικίδιων όταν πιέσετε το κουμπί απελευθέρωσης μπαταρίας. Ενέχει κίνδυνο σοβαρού τραυματισμού εάν πέσει η μπαταρία. Μην αφαιρείτε ΠΟΤΕ την μπαταρία όταν βρίσκεστε σε ύψος.

E1-1	Αριθμός υποδοχών μπαταρίας	E1-2	Οθόνη LCD
E1-3	Εικονίδιο μπαταρίας	E2-1	Νεύρωση μπαταρίας
E2-2	Υποδοχή τοποθέτησης	E2-3	Κουμπί αποδέσμευσης μπαταρίας

ΤΟΠΟΘΕΤΗΣΗ ΤΟΥ ΦΥΣΗΤΗΡΑ ΠΛΑΤΗΣ

⚠️ ΠΡΟΕΙΔΟΠΟΙΗΣΗ: Ντύνεστε κατάλληλα για να μειώσετε τον κίνδυνο τραυματισμού κατά τη λειτουργία αυτού του μηχανήματος. Μην φοράτε φαρδιά ρούχα ή κοσμήματα. Φοράτε προστατευτικά γυαλιά και ωτοασπίδες. Φοράτε βαριά, μακριά παντελόνια, μπότες και γάντια. Μην φοράτε κοντά παντελόνια, σανδάλια και μην είστε ξυπόλυτοι.

Πριν από τη χρήση του φυσητήρα πλάτης, βεβαιώνετε ότι ο χειριστής φοράει προστασία για τα μάτια και σωστό ρουχισμό και ότι πατάει με ασφάλεια και διατηρεί την ισορροπία.

Ρύθμιση του ιμάντα υποστήριξης

1. Βάλτε τους βραχίονες σας μέσα από τους ιμάντες πλάτης για να στηρίξετε το φυσητήρα στην πλάτη σας.
2. Ρυθμίστε προσωρινά και τους δύο ιμάντες ώμου σε άνετη θέση (Εικ. F1), εξασφαλίζοντας ότι ο αγκώνας σας είναι σε άνετη θέση.
3. Κλείστε το κουμπωμα στήθους και ρυθμίστε το μήκος του ιμάντα στήθους εφόσον απαιτείται (Εικ. F2).
4. Ασφαλίστε το κουμπωμα μέσης και ρυθμίστε το μήκος ιμάντα μέσης έτσι ώστε η διάταξη πλάτης να υποστηρίζεται με ασφάλεια από τους γοφούς σας (Εικ. F3 & F4).

ΣΗΜΕΙΩΣΗ: Η διάταξη πλάτης δεν πρέπει να εδράζεται πολύ ψηλά στην πλάτη σας. Πρέπει να τοποθετείται πιο κοντά στους γοφούς σας παρά στους ώμους σας.

⚠️ ΠΡΟΕΙΔΟΠΟΙΗΣΗ: Σε περίπτωση έκτακτης ανάγκης αποδεσμεύστε τα κουμπώματα στήθους και μέσης αμέσως ώστε να αφαιρέσετε τον ιμάντα διάταξης πλάτης σε κάθε πλευρά. Αυτή είναι μια μέθοδος γρήγορης αποδέσμευσης.

5. Επαναρυθμίστε τους ιμάντες ώμου για ασφάλεια και άνεση. Εξασφαλίστε ότι η διάταξη πλάτης εδράζεται με ασφάλεια στην πλάτη σας, με το βάρος να υποστηρίζεται από τον ιμάντα μέσης και χωρίς υπερβολική κίνηση όταν μετακινείστε (Εικ. F5).
6. Αυξήστε το μήκος ιμάντα γύρω από τη μέση σας μέσα στο ελαστικό τμήμα και στις δύο πλευρές (Εικ. F6).
7. Για να αποσπάσετε τη διάταξη πλάτης από την πλάτη σας απλά πιέστε τα κουμπώματα μέσης και στήθους για να τα αποδεσμεύσετε και να χαμηλώσετε τον φυσητήρα (Εικ. F7).

F1-1	Ιμάντας ώμου	F2-1	Αγκράφα στήθους
F3-1	Κουμπωμα στήθους	F6-1	Ελαστικό τμήμα
F6-2	Επιπλέον μήκος ιμάντα		

Για να ρυθμίσετε τη λαβή ελέγχου

1. Αποδεσμεύστε τον μοχλό γρήγορης αποδέσμευσης για να μετακινήσετε τη λαβή ελέγχου προς τα εμπρός ή πίσω όπως απαιτείται (Εικ. G1 & G2) και κατόπιν απεμπλέξτε τον μοχλό γρήγορης αποδέσμευσης για να ασφαλίσετε τη λαβή ελέγχου στη σωστή θέση.
2. Μπορείτε επίσης να περιστρέψετε τη λαβή για μεγαλύτερη άνεση (Εικ. G3).

G1-1	Λαβή ελέγχου	G1-2	Μοχλός γρήγορης αποδέσμευσης
------	--------------	------	------------------------------

Ρύθμιση μήκους του σωλήνα λαβής ελέγχου (Εικ. H1, H2)

1. Απελευθερώστε το μοχλό ταχείας αποδέσμευσης.
2. Μετακινήστε το σωλήνα του φυσητήρα σε μια άνετη θέση λειτουργίας εντός της ζώνης ρύθμισης (Εικ. H1).
3. Εμπλέξτε το μοχλό γρήγορης αποδέσμευσης για να ασφαλίσετε το σωλήνα φυσητήρα στη θέση του (Εικ. H2).

H1-1	Σωλήνας φυσητήρα	H1-2	Μοχλός γρήγορης αποδέσμευσης
H2-1	Ζώνη ρύθμισης		

ΕΚΚΙΝΗΣΗ/ΔΙΑΚΟΠΗ ΤΟΥ ΦΥΣΗΤΗΡΑ

ΣΗΜΕΙΩΣΗ: Ο φυσητήρας ενδέχεται να μην εκκινείται σωστά εάν η συστοιχία μπαταριών ή η θερμοκρασία φυσητήρα είναι -15°C ή χαμηλότερη. Σε αυτή την περίπτωση, αφαιρέστε τη συστοιχία μπαταριών από τον φυσητήρα, αφήστε τη συστοιχία μπαταριών και το φυσητήρα να ζεσταθούν σε εσωτερικό χώρο για 10 λεπτά ή περισσότερο. Επανατοποθετήστε τη συστοιχία μπαταριών και δοκιμάστε ξανά.

Σκανδάλη ταχύτητας αέρα (Εικ. I1, I2)

- Πατήστε τη σκανδάλη ταχύτητας αέρα για να ενεργοποιήσετε το φυσητήρα, στη συνέχεια η οθόνη LCD θα προβάλλει την ένδειξη καυσίμου, το εικονίδιο μπαταρίας και την ένδειξη ταχύτητας αέρα.

ΣΗΜΕΙΩΣΗ: 1 LED του δείκτη καυσίμου στην οθόνη LCD αναβοσβήνει όταν η φόρτιση της μπαταρίας είναι χαμηλή.

- Η ταχύτητα αέρα του φυσητήρα ελέγχεται με το διακόπτη μεταβλητής ταχύτητας. Μεγαλύτερη πίεση στο διακόπτη επιφέρει υψηλότερες ταχύτητες φυσητήρα. Λιγότερη πίεση στο διακόπτη επιφέρει χαμηλότερες ταχύτητες φυσητήρα. Ρυθμίστε την ταχύτητα ώστε να ανταποκρίνεται στην εν λόγω εργασία. Το αντίστοιχο εικονίδιο ταχύτητας αέρα εμφανίζεται στην οθόνη LCD.
- Απελευθερώστε το διακόπτη ταχύτητας αέρα για να απενεργοποιήσετε το φυσητήρα. Η οθόνη LCD θα απενεργοποιηθεί εντός ορισμένης χρονικής περιόδου μετά την απελευθέρωση του διακόπτη.

Λειτουργία Turbo

Ενώ πατάτε παρατεταμένα τη σκανδάλη ταχύτητας αέρα, πιέστε το κουμπί turbo για να αυξήσετε τη ροή αέρα στην μέγιστη ταχύτητα (Εικ. I1). Η ένδειξη turbo και το εικονίδιο ανεμιστήρα ανάβουν στην οθόνη LCD (Εικ. I3).

ΣΗΜΕΙΩΣΗ: Ο φυσητήρας επιστρέφει στην προηγούμενη ταχύτητα μόλις αποδεσμευτεί το κουμπί Turbo.

Λειτουργία κλειδώματος ταχύτητας

Το κλειδωμα ταχύτητας χρησιμοποιείται για τη λειτουργία του φυσητήρα χωρίς να πιέζεται συνεχώς η σκανδάλη ταχύτητας αέρα.

1. Πατήστε τη σκανδάλη ταχύτητας αέρα μέχρι να επιτύχετε την επιθυμητή ταχύτητα (Εικ. 11).
2. Πατήστε το κουμπί κλειδώματος ταχύτητας. Το εικονίδιο κλειδώματος ταχύτητας ανάβει στην οθόνη LCD (Εικ. 14).
3. Αποδεσμεύστε στη συνέχεια τη σκανδάλη ταχύτητας αέρα, ο φυσητήρας θα συνεχίσει να λειτουργεί στην «επιθυμητή» ταχύτητα.
ΣΗΜΕΙΩΣΗ: Πατώντας το κουμπί turbo ενώ βρίσκεστε στη λειτουργία κλειδώματος ταχύτητας, η ταχύτητα αέρα μπορεί να κλειδώσει στο μέγιστο επίπεδο. Ο φυσητήρας θα συνεχίσει με την προηγούμενη ταχύτητα εάν πατήσετε το κουμπί turbo άλλη μια φορά.
4. Για να αποδεσμεύσετε το κλειδωμα ταχύτητας, πατήστε ξανά το κουμπί κλειδώματος ταχύτητας. Το εικονίδιο κλειδώματος ταχύτητας θα εξαφανιστεί από την οθόνη LCD και ο φυσητήρας θα απενεργοποιηθεί.

11-1	Κουμπί Turbo	11-2	Κουμπί κλειδώματος ταχύτητας
11-3	Διακόπτης ταχύτητας αέρα	12-1	Δείκτης στάθμης καυσίμου
12-2	Ένδειξη ταχύτητας αέρα	12-3	Εικονίδιο μπαταρίας
13-1	Εικονίδιο ανεμιστήρα	13-2	Ένδειξη Turbo
14-1	Εικονίδιο κλειδώματος ταχύτητας		

ΤΕΧΝΟΛΟΓΙΑ ΕΠΙΚΟΙΝΩΝΙΑΣ

Για περισσότερες πληροφορίες σχετικά με το πλήρες εύρος των συνδεδεμένων προϊόντων και υπηρεσιών μας, συμπεριλαμβανομένων των οδηγιών σύνδεσης, σαρώστε τον παρακάτω κωδικό QR ή μεταβείτε στη διεύθυνση www.egopowerplus.eu/connect.



ΥΠΟΔΕΙΞΕΙΣ ΓΙΑ ΧΡΗΣΗ ΤΟΥ ΦΥΣΗΤΗΡΑ

- Για να μην διασκορπιστούν υπολείμματα, φυσάτε γύρω από τις εξωτερικές άκρες μιας στοιβας υπολειμμάτων. Ποτέ μη φυσάτε απευθείας στο κέντρο μιας στοιβας.
- Για μείωση της στάθμης θορύβου, περιορίστε τον αριθμό τεμαχίων εξοπλισμού που χρησιμοποιείται κάθε φορά.
- Χρησιμοποιείτε τσουγκράνες ή σκούπες για να αφρατέψετε τους ρύπους πριν το φύσημα. Σε συνθήκες με σκόνη βρέξτε ελαφρά τις επιφάνειες εάν υπάρχει διαθέσιμο νερό.
- Προσέχετε για παιδιά, κατοικίδια, ανοιχτά παράθυρα ή φρεσκοκλιμμένα αυτοκίνητα και φυσάτε τα υπολείμματα με ασφάλεια μακριά.
- Μετά τη χρήση φυσητήρων ή άλλων εξοπλισμών, καθαρίζετε! Απορρίπτετε με σωστό τρόπο τα υπολείμματα.

ΣΥΝΤΗΡΗΣΗ

⚠ ΠΡΟΕΙΔΟΠΟΙΗΣΗ: Κατά τη συντήρηση του εργαλείου, χρησιμοποιείτε μόνο όμοια ανταλλακτικά. Η χρήση οποιωνδήποτε άλλων εξαρτημάτων μπορεί να προκαλέσει κίνδυνο ή υλικές ζημιές. Προκειμένου να διασφαλιστεί η ασφάλεια και η αξιοπιστία, όλες οι επισκευές πρέπει να διενεργούνται από εξειδικευμένο τεχνικό του σέρβις.

⚠ ΠΡΟΕΙΔΟΠΟΙΗΣΗ: Για την αποφυγή σοβαρού τραυματισμού, αφαιρείτε πάντοτε τη συστοιχία μπαταριών από το προϊόν πριν από τον καθαρισμό του ή πριν από οποιαδήποτε συντήρηση.

ΓΕΝΙΚΗ ΣΥΝΤΗΡΗΣΗ

Αποφεύγετε τη χρήση διαλυτών κατά τον καθαρισμό των πλαστικών εξαρτημάτων. Τα περισσότερα πλαστικά είναι ευπαθή στη χρήση διαφόρων τύπων διαλυτών του εμπορίου και καταστρέφονται από τη χρήση τους. Χρησιμοποιείτε καθαρό πανί για την απομάκρυνση βρωμιάς, σκόνης, λαδιού, γράσου, κτλ.

⚠ ΠΡΟΕΙΔΟΠΟΙΗΣΗ: Τα πλαστικά εξαρτήματα δεν πρέπει να έρθουν ποτέ σε επαφή με υγρά φρένων, βενζίνη, πετρελαϊκά προϊόντα, δεισδυτικά λάδια, κτλ. Τα χημικά μπορούν να φθείρουν, να αποδυναμώσουν ή να καταστρέψουν τα πλαστικά εξαρτήματα με κίνδυνο σοβαρού τραυματισμού.

⚠ ΠΡΟΕΙΔΟΠΟΙΗΣΗ: Για να μειώσετε τον κίνδυνο πυρκαγιάς, τραυματισμού και ζημιές στο προϊόν λόγω βραχυκυκλώματος, μην βυθίζετε ποτέ τη μηχανή, τη συστοιχία μπαταριών ή το φορτιστή σε υγρά και

προσέξτε να μην εισχωρήσει νερό στο εσωτερικό τους. Διαβρωτικά ή αγώγιμα υγρά, όπως το θαλασσινό νερό, ορισμένα βιομηχανικά χημικά, και η χλωρίνη ή προϊόντα που περιέχουν χλώριο κ.λπ., μπορούν να προκαλέσουν βραχυκύκλωμα.

ΑΠΟΘΗΚΕΥΣΗ

- Απομακρύνετε τη (τις) συστοιχία(ες) μπαταριών από το φυσητήρα.
- Καθαρίζετε όλα τα ξένα υλικά από τις εισόδους αέρα του φυσητήρα.
- Ευθυγραμμίστε το κουμπί αποθήκευσης σωλήνα φυσητήρα με την εγκοπή ανάρτησης σωλήνα και αγκιστρώστε το σωλήνα φυσητήρα επάνω στο περίβλημα υποδοχής μπαταρίας (Εικ. J1 & J2).
- Αποθηκεύστε σε κλειστό χώρο όπου δεν πλησιάζουν παιδιά. Να διατηρείται μακριά από διαβρωτικές ουσίες, όπως χημικές ουσίες και αποπαγωτικά άλατα κήπου.

J1-1	Κουμπί αποθήκευσης σωλήνα φυσητήρα	J1-2	Εγκοπή ανάρτησης σωλήνα
------	------------------------------------	------	-------------------------

Προστασία του περιβάλλοντος



Μην απορρίπτετε ηλεκτρικό εξοπλισμό, παλιές μπαταρίες και φορτιστές στα οικιακά απορρίμματα! Μεταφέρετε αυτό το προϊόν σε εξουσιοδοτημένο κέντρο ανακύκλωσης και παραδώστε το για ξεχωριστή συλλογή. Τα ηλεκτρικά εργαλεία πρέπει να επιστρέφονται σε περιβαλλοντικά συμβατή μονάδα ανακύκλωσης.

ΑΝΤΙΜΕΤΩΠΙΣΗ ΠΡΟΒΛΗΜΑΤΩΝ

ΠΡΟΒΛΗΜΑ	ΑΙΤΙΑ	ΑΝΤΙΜΕΤΩΠΙΣΗ
Ο φυσητήρας δεν λειτουργεί.	<ul style="list-style-type: none"> ■ Η συστοιχία μπαταριών δεν έχει προσαρτηθεί στο φυσητήρα. 	<ul style="list-style-type: none"> ■ Τοποθετήστε τη συστοιχία μπαταριών στο φυσητήρα.
	<ul style="list-style-type: none"> ■ Δεν υπάρχει ηλεκτρική επαφή μεταξύ του φυσητήρα και της μπαταρίας. 	<ul style="list-style-type: none"> ■ Απομακρύνετε τη συστοιχία μπαταριών, ελέγξτε τις επαφές και εγκαταστήστε εκ νέου τη συστοιχία μπαταριών.
	<ul style="list-style-type: none"> ■ Η συστοιχία μπαταριών έχει αδειάσει. 	<ul style="list-style-type: none"> ■ Φορτίστε τη συστοιχία μπαταριών.
	<ul style="list-style-type: none"> ■ Η συστοιχία μπαταριών ή ο φυσητήρας είναι πολύ καυτά. 	<ul style="list-style-type: none"> ■ Επιτρέψτε να κρυώσει η συστοιχία μπαταριών και ο φυσητήρας μέχρι η θερμοκρασία τους να πέσει κάτω από τους 67 °C.
	<ul style="list-style-type: none"> ■ Κατεστραμμένος διακόπτης ταχύτητας αέρα. 	<ul style="list-style-type: none"> ■ Επικοινωνήστε με την εξυπηρέτηση πελατών της EGO για επισκευή.
	<ul style="list-style-type: none"> ■ Η συστοιχία μπαταριών ή ο φυσητήρας είναι πολύ κρύα. 	<ul style="list-style-type: none"> ■ Αφαιρέστε τη συστοιχία μπαταριών, επιτρέψτε η συστοιχία μπαταριών και ο φυσητήρας να ζεσταθούν σε εσωτερικό χώρο. Συνιστάται η πλήρης φόρτιση της συστοιχίας μπαταριών και η εκκίνηση του φυσητήρα σε χαμηλή ταχύτητα χωρίς την ενεργοποίηση της λειτουργίας Turbo.
Η λειτουργία κλειδώματος ταχύτητας δεν μπορεί να ενεργοποιηθεί ή να απενεργοποιηθεί.	<ul style="list-style-type: none"> ■ Χαλασμένο κουμπί κλειδώματος ταχύτητας. 	<ul style="list-style-type: none"> ■ Επικοινωνήστε με την εξυπηρέτηση πελατών της EGO για επισκευή.
Η ταχύτητα του αέρα μειώνεται αισθητά.	<ul style="list-style-type: none"> ■ Η φόρτιση της μπαταρίας είναι χαμηλή. 	<ul style="list-style-type: none"> ■ Φορτίστε τη συστοιχία μπαταριών.
	<ul style="list-style-type: none"> ■ Υπερβολική φθορά του ανεμιστήρα του κινητήρα. 	<ul style="list-style-type: none"> ■ Επικοινωνήστε με το σέρβις της EGO για επισκευή.
	<ul style="list-style-type: none"> ■ Η είσοδος αέρα έχει φράξει από ακαθαρσίες. 	<ul style="list-style-type: none"> ■ Απομακρύνετε τη συστοιχία μπαταριών, καθαρίστε κατόπιν τα υπολείμματα.
Η οθόνη LCD δεν λειτουργεί σωστά.	<ul style="list-style-type: none"> ■ Η οθόνη LCD ή η σύνδεση καλωδίων έχει υποστεί ζημιά. 	<ul style="list-style-type: none"> ■ Επικοινωνήστε με το σέρβις της EGO για επισκευή.
1 λυχνία LED του δείκτη καυσίμου στην οθόνη LCD αναβοσβήνει.	<ul style="list-style-type: none"> ■ Η φόρτιση της μπαταρίας είναι χαμηλή. 	<ul style="list-style-type: none"> ■ Φορτίστε τη συστοιχία μπαταριών.

GR

ΕΓΓΥΗΣΗ

ΠΟΛΙΤΙΚΗ ΕΓΓΥΗΣΗΣ EGO

Επισκεφθείτε την ιστοσελίδα egopowerplus.eu για όλους τους όρους και τις προϋποθέσεις της πολιτικής εγγύησης EGO.

TÜM TALİMATLARI OKUYUN!



KULLANIM KILAVUZUNU OKUYUN

⚠ UYARI: Emniyet ve güvenilirliği sağlamak için tüm tamir işleri yetkili bir servis teknisyeni tarafından yapılmalıdır.

GÜVENLİK SEMBOLLERİ

Güvenlik sembollerinin amacı olası tehlikelere dikkatinizi çekmektir. Güvenlik sembolleri ve yanlarındaki açıklamalar özel dikkat ve anlayış göstermenizi gerektirir. Uyarı sembolleri kendi başlarına herhangi bir tehlikeyi gidermez. Sembollerde belirtilen talimatlar ve uyarılar uygun kaza önleme tedbirlerinin yerine geçmez.

⚠ UYARI: Bu makineyi kullanmadan önce **"TEHLİKE"**, **"UYARI"** ve **"DİKKAT"** gibi güvenlikle ilgili tüm uyarı sembollerini içeren bu Kullanım Kılavuzundaki tüm güvenlik talimatlarını okuyup anladığınızdan emin olun. Aşağıdaki talimatların tamamına uyulmaması elektrik çarpması, yangın ve/veya ciddi yaralanma ile sonuçlanabilir.

SEMBOLÜN ANLAMI

⚠ GÜVENLİK UYARISI SEMBOLÜ: TEHLİKE, UYARI veya DİKKAT anlamına gelir ve diğer semboller veya resimlerle birlikte kullanılabilir.

GÜVENLİK TALİMATLARI

Bu sayfada, bu ürün üzerinde görülebilecek güvenlik sembolleri gösterilmekte ve açıklanmaktadır. Makineyi monte etmeye ve kullanmaya başlamadan önce, makineye ilişkin tüm talimatları okuyup anlayın ve bu talimatlara uyun.



Güvenlik Uyarısı



Bu ürünü kullanırken daima kulak koruması kullanın.



Çevredeki herkesi en az 15 metre uzakta tutun.



Bu ürün, yürürlükteki Birleşik Krallık yasalarına uygundur.



Doğru Akım



Su Jetlerinden Koruma



Voltaj



Santigrat



Newton



Yaralanma riskini azaltmak için kullanıcı bu ürünü kullanmadan önce kullanım kılavuzunu okumalıdır.



Bu ürünü kullanırken daima göz koruması, yan siperleri olan koruyucu gözlük ya da tam yüz maskesi takın.



Bu ürün, yürürlükteki AB yönetmeliklerine uygundur.



Atık elektrikli ürünler, evsel atıklar ile birlikte bertaraf edilmemelidir. Yetkili bir geri dönüşüm merkezine teslim edilmelidir.



Bluetooth® Sembolü



Zagotovljena raven zvočne moči Emisije hrupa v okolico so v skladu z direktivo Evropske skupnosti.



Kilogram




Metre Küp/Saat



Saniyede Metre

TR

TEKNİK ÖZELLİKLER

Voltaj	56 V 	
Maksimum Hava Hacmi	1360 m ³ /sa.	
Maksimum Hava Hızı	85 m/sn.	
Maksimum Üfleme Kuvveti	26 N	
Yaklaşık Çalışma Süresi	İki adet 6.0 Ah Akü Paketi ile	24 dk. (Turbo)
		32 dk. (Yüksek hız)
		120 dk. (Düşük hız)
	İki adet 7.5 Ah Akü Paketi ile	30 dk. (Turbo)
		40 dk. (Yüksek hız)
		150 dk. (Düşük hız)
	İki adet 10 Ah Akü Paketi ile	40 dk. (Turbo)
		52 dk. (Yüksek hız)
		200 dk. (Düşük hız)
	İki adet 12 Ah Akü Paketi ile	48 dk. (Turbo)
		63 dk. (Yüksek hız)
		240 dk. (Düşük hız)
Bluetooth Çalışma Frekansı Bandı	2400 - 2438 MHz	
Bluetooth Maksimum İletim Gücü	5 dBm	
Ağırlık (akü hariç)	7,7 kg	
Önerilen Çalışma Sıcaklığı	-15 °C - 40 °C	
Önerilen Depolama Sıcaklığı	-20 °C - 70 °C	
Ölçülen ses gücü düzeyi L _{WA}	97 dB(A) K=1,1 dB(A)	
Operatörün kulağındaki ses basıncı seviyesi L _{PA}	82 dB(A) K=3 dB(A)	
Garanti edilen ses gücü seviyesi L _{WA} (2000/14/EC uyarınca ölçülen)	98 dB(A)	
Titreşim a _h	0,35 m/s ² K=1,5 m/s ²	

TR

- Beyan edilen toplam titreşim değeri standart bir test yöntemine göre ölçülmüştür ve bir ürünün diğeri ile karşılaştırmak için kullanılabilir;
- Beyan edilen toplam titreşim değeri, maruz kalma seviyesinin ilk değerlendirmesi için de kullanılabilir.

DIKKAT: Elektrikli aletin fiili kullanımı sırasında oluşan titreşim emisyonu değeri aletin kullanım şekline bağlı olarak beyan edilen değerden farklı olabilir; Operatör korunmak için fiili kullanım koşullarında eldiven ve kulak koruması takmalıdır.

AMBALAJ İÇERİĞİ (ŞEK. A1)

AÇIKLAMA

ÜFLEYİCİNİZİ TANIYIN (ŞEK. A1)

1. Ayarlanabilir Destek Kemerli
2. Üfleyci Borusu Depolama Topuzu
3. Sırt Çantası Plakası
4. Kontrol Kolu
5. Konik Uç
6. Üfleyci Borusu
7. Kontrol Kolu Borusu
8. Körük
9. Hava Girişi
10. Destek Kolu
11. Elektrik Kontakları
12. Mandal
13. Akü Çıkarma Düğmeleri
14. Tutma kolu
15. Hız Kilit Düğmesi
16. LCD Ekran
17. Turbo Düğmesi
18. Hava Hızı Tetiği
19. Boru Asma Oluğu
20. Hızlı Çıkarma Kolları
21. Bluetooth Göstergesi
22. Enerji Göstergesi
23. Fan Simgesi
24. Turbo Göstergesi
25. Hava Hızı Göstergesi
26. Hız Kiliti Simgesi
27. Akü Simgesi

MONTAJ

⚠ UYARI: Hasarlı veya eksik parça varsa bu parçalar değiştirilinceye kadar ürünü çalıştırmayın. Bu ürünün hasarlı veya eksik parçalar ile kullanılması ciddi yaralanmalara yol açabilir.

⚠ UYARI: Bu ürün üzerinde değişiklik yapmaya veya bu üfleyci ile kullanılması önerilmeyen aksesuarlar oluşturmaya çalışmayın. Bu tür değişiklikler veya modifikasyonlar hatalı kullanımdır ve ciddi yaralanmalara neden olabilen tehlikeli bir duruma sebep olabilir.

⚠ UYARI: Ciddi yaralanmalara neden olabilen yanlışlıkla çalıştırmayı önlemek için parçaları monte ederken aküyü her zaman aletten çıkarın.

ÜFLEYİCİ BORULARININ MONTAJI

Kontrol Kolu Borusunu Körüklere Bağlama

1. Kontrol kolu borusunun üst ucunu gidebildiği kadar körüğe sokun (Şek. B1).
2. Körüklere takılı sıkma halkasındaki vidayı sağlam bir şekilde sıkın (Şek. B2).

B1-1	Körüük	B1-2	Sıkma Halkası
B1-3	Üst Uç	B1-4	Kontrol Kolu Borusu
B2-1	Vida		

Üfleyici Borusunu Kontrol Kolu Borusuna Bağlama

1. Üfleyici borusuna takılı boru kelepçesi tertibatından hızlı çıkarma kolunu ve kelebek somunu gevşetip çıkarın (Şek. C1).
2. Üfleyici borusundaki olukla kontrol kolu borusundaki dişi hizalayın, üfleyici borusunu kontrol kolu borusu üzerinde gidebildiği kadar kaydırın (Şek. C2).
3. Hızlı çıkarma kolunun pimini takın ve kolu boru kelepçesine kapatın (Şek. C3).
4. Boru kelepçesini yerine sabitlemek için kelebek somunu sıkın (Şek. C4).

C1-1	Üfleyici Borusu	C1-2	Boru Kelepçesi
C1-3	Hızlı Çıkarma Kolu	C1-4	Kelebek Somunu
C2-1	Üfleyici Borusu	C2-2	Kontrol Kolu Borusu
C2-3	Oluk	C2-4	Montaj Kanalı
C3-1	Pim		

Konik Ucu Üfleyici Borusuna Bağlama

1. Uçtaki oluğu borudaki mandalla hizalayın. Ucu, güvenli bir şekilde yerine oturana kadar borunun üzerine itin (Şek. D1).
2. **Ucu çıkarmak için** uç çıkarma düğmesini basılı tutarak mandalı boşa alın, ardından ucu üfleyici borudan çekip çıkarın (Şek. D2).

D1-1	Uç Çıkarma Düğmesi	D1-2	Mandal
------	--------------------	------	--------

ÇALIŞTIRMA

⚠ UYARI: Bu ürüne karşı edindiğiniz alışkanlığın sizi dikkatsiz yapmasına izin vermeyin. Bir anlık dikkatsizliğiniz ciddi yaralanmalara sebep olabileceğini unutmayın.

⚠ UYARI: Bu ürünün üreticisi tarafından önerilmeyen herhangi bir aparatı veya aksesuarı kullanmayın. Tavsiye edilmeden aksesuarların veya aparatların kullanımı ciddi yaralanmalara sebep olabilir.

⚠ UYARI: Parçaları monte ederken, ayar yaparken, temizlik yaparken veya ürün kullanımda değilken aküyü her zaman üründen çıkarın. Akünün çıkarılması, ciddi yaralanmalara neden olablen yanlışlıkla çalışmayı önler.

Her kullanımdan önce ürünü inceleyerek hasarlı, eksik veya vida, somun, civata, kapak vb. gevşek parça olup olmadığını kontrol edin. Tüm bağlantı parçalarını ve kapakları sıkın, bu ürünü eksik veya hasarlı parçalar değiştirilmeden çalıştırmayın.

UYGULAMA

Bu ürünü aşağıda belirtilen amaçlar için kullanabilirsiniz:

- Çimlerden ve malç yataklarından yaprakların ve çeşitli bahçe kalıntılarının temizlenmesi.
- Araba yolları ve kaldırımlar gibi sert yüzeylerin temizlenmesi.
- Yüzey ve araba yollarının yapraklardan ve çam yapraklarından temizlenmesi.

DİKKAT: Bu alet sadece belirtilen kullanım amacına uygun kullanılmalıdır. Diğer kullanım şekilleri hatalı kullanım olarak kabul edilir.

AKÜYÜ TAKMA/ÇIKARMA

Sadece Şek. A2'de listelenen EGO akülerini ve şarj cihazlarını kullanın.

Daha fazla ayrıntı için ilgili akü ve şarj cihazı kılavuzlarına bakın.

İlk kullanımdan önce tamamen şarj edin.

DİKKAT: En iyi performans için EGO 56V akü takımı BA3360T (6,0 Ah) veya daha yüksek Ah değerine sahip diğer EGO 56V akü takımlarının kullanılmasını öneririz.

Üfleyici, akü portu muhafazasının sol ve sağ tarafında iki aktif akü portuna sahiptir.

NOT: Üfleyici bir veya iki akü ile çalışabilir. İki akü kullandığınızda daha uzun çalışma süresi ve PEAK POWER™ teknolojisi tarafından yönetilen verimli güç tüketimi elde edersiniz.

Akü paketleri, sırt çantası plakasında 1 veya 2 ile işaretlenmiş ilgili akü bağlantı noktalarına takıldığında ve üfleyici açıldığında, ilgili akü simgesi LCD ekranda yanar (Şek. E1).

Takmak için (Şek. E2)

Takmak için akü dişleri ile montaj yuvalarını hizalayın ve bir "tık" sesi duyana kadar aküyü bastırın. Diğer aküyü takın.

Çıkarmak için

Akü çıkarma düğmesine basın ve aküyü çekip çıkarın

⚠ UYARI: Akü çıkarma düğmesine basarken daima ayaklarınızın, çocukların veya evcil hayvanların konumuna dikkat edin. Akü düşerse ciddi yaralanmaya neden olabilir. Yüksek bir konumdayken aküyü ASLA çıkarmayın.

E1-1	Akü Portu Numarası	E1-2	LCD Ekran
E1-3	Akü Simgesi	E2-1	Akü Dişi
E2-2	Montaj Yuvası	E2-3	Akü Çıkarma Düğmesi

SIRT TİPİ ÜFLEYİCİNİN KONUMLANDIRILMASI

⚠ UYARI: Bu makineyi kullanırken yaralanma riskini azaltmak için uygun şekilde giyinin. Bol giysiler giymeyin veya takı takmayın. Göz ve kulak/işitme koruması kullanın. Dayanıklı, uzun pantolon, eldiven ve bot giyin. Kısa pantolon, sandalet giymeyin veya çıplak ayakla dolaşmayın.

Sirt tipi üfleyciyi kullanmadan önce operatörün göz koruması taktığından, uygun kıyafet giydiğinizden ve güvenli ve dengeli bir duruş sergileyebildiğinizden emin olun.

Destek Kemerini Ayarlamak İçin

1. Üfleyciyi sırtınıza alarak desteklemek için, kollarınızı sırt askılarından geçirin.
2. Her iki omuz askısını geçici olarak rahat konumda ayarlayarak (Şek. F1) dirseğinizin rahat hareket ettiğinden emin olun.
3. Göğüs tokasını kapatın ve gerekirse uzunluğunu ayarlayın (Şek. F2).
4. Bel tokasını kapatın ve bel kayışı uzunluğunu ayarlayarak sırt çantasının kalçalarınız tarafından güvenli bir şekilde desteklenmesini sağlayın (Şek. F3 ve F4).

NOT: Sirt çantası sırtınızda çok yükseğe oturmamalıdır; omuzlarınızda değil kalçalarınıza daha yakın olmalıdır.

⚠ UYARI: Acil bir durum olduğunda, her iki taraftaki sırt çantası kayışını çıkarmak için göğüs ve bel tokalarını hemen serbest bırakın. Bu hızlı bir serbest bırakma yöntemi değildir.

5. Güvenlik ve konfor için omuz askılarını tekrar ayarlayın. Sirt çantasının sırtınıza güvenli bir şekilde oturduğundan emin olun. Ağır bel kayışı tarafından desteklenmeli ve hareket ettiğinizde üfleyci de aşırı hareket etmemelidir (Şek. F5).
6. Fazla kayış uzunluğunu bel çevresinde her iki taraftaki elastik banda takın (Şek. F6).

7. Sirt çantasını sırtınızdan çıkarmak için bel ve göğüs tokalarına basmanız ve makineyi indirmeniz yeterlidir (Şek. F7).

F1-1	Omuz Askısı	F2-1	Göğüs Kemer Tokası
F3-1	Bel Tokası	F6-1	Elastik
F6-2	Ekstra Kayış Uzunluğu		

Kontrol Kolunu Ayarlamak İçin

1. Kontrol kolunu gerektiği gibi ileri veya geri hareket ettirmek için hızlı çıkarma kolunu bırakın (Şek. G1 ve G2) ve ardından tutma kolunu yerine sabitlemek için hızlı çıkarma kolunu bağlayın.
2. Ayrıca rahatlık sağlaması için tutma kolunu gerektiği gibi döndürebilirsiniz (Şek. G3).

G1-1	Kontrol Kolu	G1-2	Hızlı Çıkarma Kolu
------	--------------	------	--------------------

Kontrol Kolu Borusunun Uzunluğunu Ayarlamak İçin (Şek. H1, H2)

1. Hızlı çıkarma kolunu bırakın.
2. Üfleyci borusunu ayar bölgesi içinde rahat bir çalışma konumuna getirin (Şek. H1).
3. Üfleyci borusunu yerine sabitlemek için hızlı çıkarma kolunu devreye alın (Şek. H2).

H1-1	Üfleyci Borusu	H1-2	Hızlı Çıkarma Kolu
H2-1	Ayar Bölgesi		

ÜFLEYİCİYİ ÇALIŞTIRMA/DURDURMA

NOT: Akü takımının veya üfleycinin sıcaklığı -15°C veya daha düşükse üfleyci düzgün çalışmayabilir. Bu durumda akü takımını üfleyciden çıkarın, akü takımının ve üfleycinin iç mekanda 10 dakika veya daha uzun süre ısınmasını sağlayın. Akü takımını yeniden takıp tekrar deneyin.

Hava Hızı Tetiği (Şek. I1, I2)

- Üfleyciyi açmak için hava hızı tetiğine basın, ardından LCD ekranda yakıt göstergesi, akü simgesi ve hava hızı göstergesi görüntülenir.

NOT: LCD ekrandaki yakıt göstergesinin 1 LED'i, akü şarjı azaldığında yanıp söner.

- Üfleycinin hava hızı tetiği, değişken hız tetiği ile kontrol edilir. Tetiğe daha fazla basıldığında daha üfleme hızı artar; tetiğe daha az basıldığında üfleme hızı azalır. Yapacağınız işe uygun şekilde hızı ayarlayın. İlgili hava hızı göstergesi, LCD ekranda görüntülenir.

- Üfleyciyi kapatmak için hava hızı tetiğini serbest bırakın. Tetik bırakıldıktan sonra belirli bir süre içinde LCD ekran kapanır.

Turbo Modu

Hava hızı tetiği basılı tutulurken, hava akışını maksimum hıza çıkarmak için turbo düğmesine basın (Şek. I1). LCD ekranda turbo göstergesi ve fan simgesi yanar (Şek. I3).

NOT: Turbo düğmesi bırakıldığında üfleyci önceki hıza döner.

Hız Kilitli Modu

Hız kilidi, hava hızı tetiğine sürekli basılmadan üfleyciyi çalıştırmak için kullanılabilir.

1. İstedığınız hıza ulaşana kadar hava hızı tetiğine basın (Şek. I1).
2. Hız kilidi düğmesine basın. Hız kilidi simgesi LCD ekranda yanacaktır (Şek. I4).
3. Daha sonra hava hızı tetiğini bırakın, üfleyci "istenen" hızda çalışmaya devam eder.
NOT: Hız kilidi modundayken turbo butonuna basıldığında hava hızı maksimum seviyede kilitlenebilir. Turbo düğmesine bir kez daha bastığınızda üfleyci önceki hıza devam eder.
4. Hız kilidini açmak için hız kilidi düğmesine tekrar basın. Hız kilidi simgesi LCD ekrandan kaybolur ve fan kapanır.

I1-1	Turbo Düğmesi	I1-2	Hız Kilit Düğmesi
I1-3	Hava Hızı Tetiği	I2-1	Enerji Göstergesi
I2-2	Hava Hızı Göstergesi	I2-3	Akü Simgesi
I3-1	Fan Simgesi	I3-2	Turbo Göstergesi
I4-1	Hız Kilidi Simgesi		

İLETİŞİM TEKNOLOJİSİ

Bağlantı talimatları dahil tüm bağlı ürün ve hizmetlerimiz hakkında bilgi almak için lütfen aşağıdaki QR Kodunu tarayın veya şu adresi ziyaret edin:

www.egopowerplus.eu/connect



ÜFLEYİCİNİN KULLANILMASI İLE İLGİLİ İPUÇLARI

- Birikintilerin etrafa saçılmasını önlemek için birikintilerin dış kenarlarına üfleme yapın. Asla doğrudan birikintinin ortasına doğrudan üflemeyin.
- Gürültü düzeyini azaltmak için, bir defada kullanılan ekipman sayısını sınırlı tutun.
- Üfleme öncesinde birikintileri gevşetmek için tırmık ve süpürge kullanın. Tozlu koşullarda, varsa suyla yüzeyleri hafifçe nemlendirin.
- Çocuklara, evcil hayvanlara, açık pencere veya yeni yıkanmış araçlara dikkat edin ve birikintileri güvenli biçimde uzağa üfleyin.
- Üfleycileri veya diğer cihazları kullandıktan sonra temizleyin! Birikintilerin uygun şekilde bertaraf edilmesini sağlayın.

BAKIM

⚠ UYARI: Bakım yaparken sadece orijinal yedek parçaları kullanın. Diğer parçaların kullanılması tehlike oluşturabilir veya ürünün hasar görmesine neden olabilir. Emniyet ve güvenilirliği sağlamak için tüm tamir işleri yetkili bir servis teknisyeni tarafından yapılmalıdır.

⚠ UYARI: Ciddi yaralanmaları önlemek için temizlik veya bakım işlemi gerçekleştirirken daima aküyü üründen çıkarın.

GENEL BAKIM

Plastik parçaları temizlerken çözücü maddeler kullanmaktan kaçının. Çoğu plastik malzeme çeşitli ticari çözücü türlerinden etkilenmeye yatkındır ve bu çözücü maddelerin kullanılması durumunda zarar görebilirler. Kir, toz, yağ, gres vb. gidermek için temiz bez kullanın.

⚠ UYARI: Fren sıvıları, benzin, petrol bazlı ürünler, nüfuz eden yağlar gibi ürünlerin plastik parçalarla hiçbir zaman temas etmesini izin vermeyin. Kimyasal maddeler plastik parçalara hasar verebilir, bu tür parçaları zayıflatabilir veya parçalayabilir ve bu durum ciddi yaralanmalara neden olabilir.

⚠ UYARI: Kısa devre nedeniyle yangın, yaralanma ve ürün hasarı riskini azaltmak için makinenizi, akü takımını veya şarj cihazını asla sıvıya batırmayın veya içlerine sıvı akmasına izin vermeyin. Deniz suyu, bazı endüstriyel kimyasallar ve ağartıcı veya ağartıcı içeren ürünler gibi aşındırıcı veya iletken sıvılar kısa devreye neden olabilir.

DEPOLAMA

- Akü paket(ler)ini üfleyciden çıkarın.
- Üfleycinin hava deliklerindeki tüm yabancı maddeleri temizleyin.

- Üfleyci borusu depolama topuzunu boru asma oluğu ile hizalayın ve üfleyci borusunu akü portu muhafazasının üzerine asın (Şek. J1 ve J2).
- Üfleyciyi çocukların ulaşamayacağı kapalı bir yerde saklayın. Bahçe kimyasalları ve eritici tuzlar gibi aşındırıcı maddelerden uzak tutun.

J1-1	Üfleyci Borusu Depolama Topuzu	J1-2	Boru Asma Oluğu
------	-----------------------------------	------	-----------------

Çevre koruması



Elektrikli cihazları, kullanılmış aküleri ve şarj cihazını evsel atıklarla bertaraf etmeyin! Bu ürünü yetkili bir geri dönüşüm merkezine götürün ve ayrı bir şekilde toplanmasını sağlayın. Elektrikli aletler çevreyle uyumlu bir geri dönüşüm tesisine götürülmelidir.

SORUN GİDERME

SORUN	NEDENİ	ÇÖZÜM
Üfleyci çalışmıyor.	■ Batarya üfleyciye takılı değildir.	■ Akü takımını üfleyciye takın.
	■ Üfleyci ile akü arasında elektrik teması yoktur.	■ Aküyü çıkarın, temas noktalarını kontrol edin ve aküyü yeniden takın.
	■ Akü takımının şarjı boşalmıştır.	■ Akü takımını şarj edin.
	■ Akü veya üfleyci çok sıcaktır.	■ Aküyü ve üfleyciyi, sıcaklığı 67 °C'nin altına düşene kadar soğutun.
	■ Hasarlı hava hızı tetiği.	■ Tamir için EGO Müşteri Hizmetleri ile irtibata geçin.
	■ Akü takımı veya üfleyci çok soğuktur.	■ Akü takımını çıkarın, akü takımının ve üfleycinin kapalı alanda ısınmasını sağlayın. Turbo modunu etkinleştirmeden, aküyü tam olarak şarj etmenizi ve üfleme makinesini düşük hızda çalıştırmanızı önerilir.
Hız kilidi modu açılıp kapatılamaz.	■ Hasarlı hız kilidi düğmesi.	■ Tamir için EGO Müşteri Hizmetleri ile irtibata geçin.
Hava hızı belirgin şekilde azalır.	■ Akü şarjı düşüktür.	■ Akü takımını şarj edin.
	■ Motor fanının aşırı aşınması.	■ Onarım için EGO servisine başvurun.
	■ Hava girişi birikintiler nedeniyle tıkanmıştır.	■ Akü paketini çıkarın, birikintileri temizleyin.
LCD ekran düzgün çalışmıyor.	■ LCD ekran veya kablo bağlantısı hasar görmüştür.	■ Onarım için EGO servisine başvurun.
LCD ekranda yakıt göstergesinin 1 LED'i yanıp sönüyor.	■ Akü şarjı düşüktür.	■ Akü takımını şarj edin.

GARANTİ

EGO GARANTİ POLİTİKASI

EGO Garanti Politikasına ilişkin tüm hükümler ve koşullar için lütfen egopowerplus.eu adresindeki web sitesini ziyaret edin.

LUGEGE KÕIKI JUHISEID!



LUGEGE KASUTUSJUHENDEID

! **HOIATUS:** Turvalisuse ja vastupidavuse tagamiseks peab kõiki parandustöid läbi viima kvalifitseeritud hooldustehnik.

OHUTUSSÜMBOLID

Ohutussümbolite eesmärk on pöörata tähelepanu võimalikele ohtudele. Ohutussümbolitele ja nende juures olevatele seletustele tuleb korralikult tähelepanu pöörata ja need endale selgeks teha. Ohutussümbolid iseenesest ei kõrvalda ohtu. Nendega kaasnevad juhendid ja hoiatused ei asenda asjakohaseid õnnetuste ennetamise meetmeid.

! **HOIATUS:** Enne käesoleva masina kasutamist lugege kindlasti läbi ja tehke endale selgeks kõik kasutusjuhendis toodud ohutusjuhised, sh kõik ohutussümbolid, nagu „OHT“, „HOIATUS“ ja „ETTEVAATUST“. Kui allpool loetletud juhiseid ei järgita, võib tagajärjeks olla elektrilöök, tulekahju ja/või rasked kehavigastused.

SÜMBOLITE TÄHENDUSED

! **OHUTUSSÜMBOL:** Sümbolaid OHT, HOIATUS või ETTEVAATUST võidakse kasutada koos teiste sümbolite või piktogrammidega.

OHUTUSJUHISED

Sel lehel on kujutatud ja kirjeldatud ohutussümbolaid, mida võib käesolevalt tootelt leida. Enne, kui üritate masinat kokku panna ja kasutada, lugege, tehke omale selgeks ja järgige kõiki juhiseid.



Ohustusteade



Vigastusohu vähendamiseks peab kasutaja enne toote kasutamist kasutusjuhendit lugema.



Kasutage seadmega töötades alati kuulmiskaitset.



Kandke selle toote kasutamise ajal alati kaitseprille või külgkaitsmetega kaitseprille ja täielikku näokaitset.



Ärge laske teistel isikutel tulla töötavale seadmele lähemale kui 15 meetrit.



Toode vastab rakendatavatele EÜ direktiividele.



Toode vastab kohaldatavatele Ühendkuningriigi õigusaktidele.



Elektriseadmete jäätmeid ei tohi visata olmejäätmete hulka. Viige volitatud taaskäitleja juurde.

ET



Alalisvool



Bluetooth®-i sümbol



IPX5 Kaitse veejuga eest



Garanteeritud helivõimsuse tase. Seadme müra keskkonnas on Euroopa Ühenduse direktiiviga vastavuses.

V Pinge

kg Kilogramm

°C Celsius

m³/h Kuupmeetrit tunnis

N Njuuton

m/s Meetrit sekundis

TEHNILISED ANDMED

Pinge	56 V	
Maksimaalne õhumaht	1360 m ³ /h	
Maksimaalne õhukiirus	85 m/s	
Maksimaalne puhumisjõud	26 N	
Ligikaudne tööaeg	Kahe 6,0 Ah akuga	24 min (Turbo)
		32 min (Suur kiirus)
		120 min (Madal kiirus)
	Kahe 7,5 Ah akuga	30 min (Turbo)
		40 min (Suur kiirus)
		150 min (Madal kiirus)
	Kahe 10 Ah akuga	40 min (Turbo)
		52 min (Suur kiirus)
		200 min (Madal kiirus)
	Kahe 12 Ah akuga	48 min (Turbo)
		63 min (Suur kiirus)
		240 min (Madal kiirus)
Bluetoote töösagedusriba	2400 - 2438 MHz	
Bluetoote maksimaalne edastusvõimsus	5 dBm	
Kaal (ilma akuplokita)	7,7 kg	
Soovituslik töökeskkonna temperatuur	-15°C kuni 40°C	
Soovituslik hoiustamise temperatuur	-20°C kuni 70°C	
Mõõdetud helirõhu tase L _{WA}	97 dB (A) K=1,1 dB (A)	
Helirõhk seadme operatori kõrva juures L _{PA}	82 dB (A) K=3 dB (A)	
Garanteeritud helirõhk L _{WA} (mõõdetud vastavalt 2000/14/EN)	98 dB (A)	
Vibratsioon a _n	0,35 m/s ² K=1,5 m/s ²	

ET

- Esitatud vibratsioonitaseme näit on mõõdetud standardsete testmeetodite kohaselt ja seda võib kasutada erinevate tööriistade võrdlemiseks;
- Esitatud vibratsioonitaseme näitu võib kasutada ka algse kokkupuutehinna andmiseks.

MÄRKUS! Tegelikul kasutamisel tekkinud vibratsioonitase võib esitatust erineda; turvalisuse eesmärgil peaks seadme kasutaja tegelikes kasutustingimustes kandma kindaid ja kuulmiskaitseid.

PAKENDI LOEND (JOON A1)

KIRJELDUS

TUNNE OMA PUHURIT (Joon. A1)

1. Reguleeritavad tugirakmed
2. Puhuritoru hoiunupp
3. Ranitsaplaat
4. Juhtkäepide
5. Koonusotsak
6. Puhuritoru
7. Juhtkäepideme toru
8. Lööts
9. Õhu sissevõtuava
10. Abikäepide
11. Klemmid
12. Lukusti
13. Akuvabastusnupud
14. Käepide
15. Kiiruse lukustusnupp
16. LCD-ekraan
17. Turbonupp
18. Puhumiskiiruse päästik
19. Toru riputussoon
20. Kiirvabastushoovad
21. Bluetoote indikaator
22. Kütusemõõdik
23. Ventilatori ikoon
24. Turbokiiruse märgutuli
25. Õhukiiruse näidik
26. Kiiruse lukustuse ikoon
27. Aku ikoon

KOKKUPANEK

⚠ HOIATUS: Kui mõni osa on kahjustatud või puudub, ärge kasutage toodet enne, kui see osa on asendatud. Kui kasutate kahjustatud või vajalike komponentideta seadet, võite saada raskeid vigastusi.

⚠ HOIATUS: Ärge üritage seadet ümber ehitada ega kasutada lisaseadmeid, mis pole mõeldud selle puhuriga koos kasutamiseks. Kõik niisugused muudatused loetakse väärkasutuseks ja need võivad põhjustada ohtlikke olukordi, mis võivad lõppeda raskete vigastustega.

⚠ HOIATUS: Et vältida raskeid vigastusi põhjustada võivat juhuslikku käivitumist, eemaldage seadmeosade kokkupaneku ajaks alati akuplokk.

PUHURITORUDE KOKKUPANEK

Juhtkäepideme toru ühendamine lõõtsaga

1. Sisestage juhtkäepideme toru ülemine ots lõõtsa nii kaugele, kui see ulatub (Joonis B1).
2. Pingutage kindlalt lõõtsa külge kinnitatud kinnituskrae kruvi (Joonis B2).

B1-1	Lõõts	B1-2	Kinnitusrõngas
B1-3	Ülemine ots	B1-4	Juhtkäepideme toru
B2-1	Kruvi		

Puhuritoru ühendamine juhtkäepideme toruga

1. Lõdvendage ja eemaldage puhuritoru külge kinnitatud toruklambrite koostu kiirvabastushoob ja tiibmutter (Joonis C1).
2. Joondage puhuritoru soon juhtkäepideme torul oleva ribiga, libistage puhuritoru üle juhtkäepideme toru nii kaugele, kui see ulatub (Joonis C2).
3. Sisestage kiirvabastushoova tihvt ja sulgege hoob toruklambritele (Joonis C3).
4. Pingutage tiibmutter, et kinnitada toruklamber oma kohale (Joonis C4).

C1-1	Puhuritoru	C1-2	Toruklamber
C1-3	Kiirvabastushoob	C1-4	Tiibmutter
C2-1	Puhuritoru	C2-2	Juhtkäepideme toru
C2-3	Soon	C2-4	Ribi
C3-1	Tihvt		

Koonotsaku ühendamine puhuritoruga

1. Joondage otsaku soon torul oleva lukustiga. Lükake otsak üle toru, kuni see kindlalt kohale klõpsatab (Joonis D1).
2. **Otsaku eemaldamiseks** vajutage otsaku vabastusnuppu ja hoidke seda all, et lukusti vabastada, seejärel tõmmake otsak otse puhuritoru küljest ära (Joonis D2).

D1-1	Otsaku vabastusnupp	D1-2	Lukusti
------	---------------------	------	---------

SEADME KASUTAMINE

⚠ HOIATUS: Ärge muutuge toodet tundma õppides hooletuks. Pidage meeles, et raskeid vigastusi põhjustavaks õnnetuseks piisab ka sekundi murdosa pikkusest tähelepanematusesest.

⚠ HOIATUS: Ärge kasutage lisaseadmeid või -tarvikuid, mida selle toote valmistaja pole soovitanud. Mittesoovitavate lisaseadmete või -tarvikute kasutamine võib põhjustada raskeid kehavigastusi.

⚠ HOIATUS: Seadme kokkupanemise, reguleerimise, puhastamise ja mittekasutamise ajaks tuleb akud alati eemaldada. Akude eemaldamine ennetab seadme juhuslikku käivitumist, millega võiksid kaasnedä rasked kehavigastused.

Kontrollige enne iga kasutuskorda kogu toodet, et ei esineks kahjustunud, puuduvaid või lahtisi osi, nt kruve, mutreid, polte, korke vms. Kinnitage kindlalt kõik kinnitused ja korgid ning ärge kasutage toodet, kuni kõik puuduvad või kahjustatud osad on välja vahetatud.

RAKENDUSALAD

Seda toodet võib kasutada allpool loetletud eesmärkidel.

- Lehtede ja mitmesuguse õueprahi koristamine murult ja multšipeenardest.
- Kõvade pindade, nt sõidu- ja kõnniteede, puhastamiseks.
- Kõnni- ja sõiduteede lehtedest ja männiokastest puhastamiseks.

MÄRKUS! Seadet tohib kasutada vaid käesolevas juhendis lubatud eesmärgil. Igasugust muud kasutust loetakse väärkasutuseks.

AKUPLOKI PAIGALDAMINE/EEMALDAMINE

Kasutage ainult joonisel A2 esitatud EGO akuplokke ja laadureid.

Lisateavet leiäte vastavatest akuplokkide ja laadijate kasutusjuhenditest.

Enne esmakasutamist laadige täielikult täis.

MÄRKUS! Suurema efektiivsuse saavutamiseks soovime kasutada EGO 56V akut BA3360T (6,0 Ah) või muud EGO 56V akut, mille Ah väärtus on suurem.

Puhuril on kaks aktiivset akuporti, mis asuvad akupesade korpuse vasakul ja paremal küljel.

MÄRKUS: Puhur saab töötada ühe või kahe akuga. Kahe aku kasutamine tagab pikema tööaja ja tõhusa volutarbimise, mida juhib PEAK POWER™-i tehnoloogia.

ET

Kui akud sisestatakse vastavatesse akupesadesse, mis on seljakoti plaadil tähistatud 1 või 2-ga, ja puhur on sisse lülitatud, süttib LCD-ekraanil vastav aku ikoon (Joonis E1).

Kinnitamiseks (Joonis E2)

Joondage aku ribad paigaldussoontega ja suruge akuplokki alla kuni kuulete „klõpsatust“. Kinnitage teine aku.

Eemaldamine

Vajutage akuvabastusnuppu ja tõmmake akuplokk välja.

⚠ HOIATUS: Akuvabastusnuppu vajutades jälgige alati oma jalgade ning läheduses viibivate laste ja loomade asukohta. Aku kukkumine võib põhjustada raskeid vigastusi. Akut ei tohi KUNAGI eemaldada kõrges kohas viibides.

E1-1	Aku pordi number	E1-2	LCD-ekraan
E1-3	Aku ikoon	E2-1	Aku sakk
E2-2	Paigaldusava	E2-3	Akuvabastusnupp

SELJASKANTAVA PUHURI PAIGUTAMINE

⚠ HOIATUS: Kandke sobivat riietust, et vähendada vigastuste ohtu masina kasutamisel. Ärge kandke kehast eemale hoidvaid ehteid ega riideid. Kandke nägemis- ja kuulmiskaitsevahendeid. Kandke tugevast materjalist pikki pükse, saapaid ja kindaid. Ärge kandke trimmeriga töötades lühikesi pükse ega sandaale ja ärge töötage paljajalu.

Enne seljakoti puhuri kasutamist veenduge, et kasutaja kannab kaitseprille ja korralikku riietust ning suudab hoida kindlat ja tasakaalustatud asendit.

Tugirakmete reguleerimine

- Lükake käed läbi seljakoti rihmade, et toetada puhurit oma seljas.
- Reguleerige mõlemad õlarihmad ajutiselt mugavasse asendisse (Joonis F1), veendudes, et teie küünarnukil on mugav.
- Kinnitage rinnapannal ja reguleerige vajaduse korral rinnarihma pikkust (Joonis F3).
- Kinnitage vöörihma lukud ja reguleerige vöörihma pikkust nii, et seljakott oleks kindlalt puusade poolt toetatud (Joonised F3 ja F4).

MÄRKUS: Seljakott ei tohiks istuda liiga kõrgel seljas; see peaks asetsema puusadele lähemal kui õlgadele.

⚠ HOIATUS: Hädaolukorras vabastage kohe rinna- ja vööpanglad, et eemaldada seljakoti mõlemalt küljelt rihtm. See on kiirvabastuse meetod.

- Reguleerige õlarihmu uuesti, et tagada turvalisus ja mugavus. Veenduge, et puhuri ranitsaosa oleks teil kindlalt seljas, nii et vöörihm toetaks selle raskust ja et see liigselt ei liiguks, kui te liigutate (Joonis F5).
- Pange vöö lisapikkus ümber vöökohta kummalegi poole läbi kummaaasa (Joonis F6).
- Masina seljast võtmiseks vajutage vöö- ja rinnapannalt, vabastage need ja laske masin alla (Joonis F7).

F1-1	Õlarihm	F2-1	Rinnaklamber
F3-1	Vööklamber	F6-1	Elastne
F6-2	Rihma lisapikkus		

Juhtkäepideme reguleerimine

- Vabastage kiirvabastushoob, et liigutada juhtkäepidet vastavalt vajadusele ette- või tahapoole (Joonised G1 ja G2) ja seejärel rakendage kiirvabastushoob, et käepide oma kohale kinnitada.
- Võite käepidet vastavalt vajadusele keerata, et teil mugavam oleks (Joonis G3).

G1-1	Juhtkäepide	G1-2	Kiirvabastushoob
------	-------------	------	------------------

Juhtkäepideme toru pikkuse reguleerimiseks (Joonis H1, H2)

- Vabastage kiirvabastushoob.
- Liigutage puhuritoru reguleerimistsoonis mugavasse tööasendisse (Joonis H1).
- Puhuritoru oma kohale kinnitamiseks rakendage kiirvabastushoob (Joonis H2).

H1-1	Puhuritoru	H1-2	Kiirvabastushoob
H2-1	Reguleerimistsoon		

PUHURI KÄIVITAMINE/PEATAMINE

MÄRKUS: Kui aku või puhuri temperatuur on -15 °C või vähem, siis ei pruugi puhur korrektselt käivituda. Sellisel juhul eemaldage aku puhurist, laske akul ja puhuril 10 minutit või kauem siseruumides soojeneda. Paigaldage aku tagasi ja proovige uuesti.

Õhukiiruse päästik (Joonised I1 ja I2)

- Masina sisselülitamiseks vajutage õhukiiruse päästikut, seejärel kuvatakse LED-ekraanile kütusenäidik, aku ikoon ja õhukiiruse näidik.

MÄRKUS: 1 LCD-ekraanil oleva kütusenäidiku LED vilgub, kui aku laetuse tase on madal.

- Puhuri puhumiskiirust juhitakse kiiruse muutmise päästikuga. Suurem päästikule avaldatav surve toob kaasa suurema puhumiskiiruse; väiksema päästikule avaldatava surve korral on ka puhumiskiirus väiksem. Reguleerige kiirus parajasti tehtava töö jaoks sobivaks. LCD-ekraanile kuvatakse vastav õhukiiruse märgutuli.
- Puhuri väljalülitamiseks vabastage puhumiskiiruse päästik. LCD-ekraan lülitub teatud aja jooksul pärast päästiku vabastamist välja.

Turborežiim

Kui õhukiiruse päästikut vajutatakse ja hoitakse, vajutage turbo nuppu, et suurendada õhuvoolu maksimaalse kiiruseni (Joonis I1). LCD-ekraanil süttivad turbokiiruse märgutuli ja ventilaatori ikoon (Joonis I3).

MÄRKUS: Turbonupu vabastamisel naaseb puhur tagasi eelmisele kiirusele.

Kiiruse lukustusrežiim

Kiiruse lukku saab kasutada puhuri juhtimiseks ilma õhukiiruse päästikut pidevalt vajutamata.

1. Vajutage õhukiiruse päästikut, kuni saavutate soovitud kiiruse (Joonis I1).
2. Vajutage kiiruse lukustusnuppu. LCD-ekraanil süttib kiirusluku ikoon (Joonis I4).
3. Vabastage õhukiiruse päästik, puhur töötab "lukustatud" kiirusel.

MÄRKUS: Kiiruse lukustusrežiimis turbo nupu vajutamine võib lukustada õhukiiruse maksimaalsele tasemele. Turbonupu vabastamisel, taastub puhuri eelne puhumiskiirus.

4. Kiirusluku vabastamiseks vajutage uuesti kiirusluku nuppu. Kiiruse lukustuse ikoon kaob LCD-ekraanilt ja puhur lülitub välja.

I1-1	Turbonupp	I1-2	Kiiruse lukustusnupp
I1-3	Puhumiskiiruse päästik	I2-1	Kütusemõõdik
I2-2	Õhukiiruse näidik	I2-3	Aku ikoon
I3-1	Ventilaatori ikoon	I3-2	Turbokiiruse märgutuli
I4-1	Kiiruse lukustuse ikoon		

SIDETEHNOLOOGIA

Et saada teavet või tutvuda kogu meie ühendatud toodete ja teenuste valikuga (sealhulgas ühendamisjuhistega), skannige allpool olev QR-kood või külastage veebilehte www.egopowerplus.eu/connect.



NÕUANDEID PUHURI KASUTAMISEKS

- Mustuse laiali pildumise vältimiseks puhuge prahihunniku välimisi ääri mööda. Ärge suunake õhuvoolu prahihunniku keskele.
- Mürataseme vähendamiseks ärge kasutage korraga väga paljusid seadmeid.
- Enne puhumist vabastage praht rehade või harjadega maa küljest. Tolmustes tingimustes niisutage vee olemasolul veidi pinda.
- Jälgige laste, loomade, avatud akende ja hiljuti pestud autode asukohta ning puhuge prahti ohutus suunas.
- Pärast puhurite ja teiste seadmete kasutamist koristage tööpiirkond! Kõrvaldage praht nõuetekohaselt.

HOOLDUS

⚠ HOIATUS: Remontimisel kasutage vaid originaalvaruosi. Mis tahes muude osade kasutamine võib põhjustada ohtlikke olukordi või toodet vigastada. Turvalisuse ja vastupidavuse tagamiseks peab kõiki parandustöid läbi viima kvalifitseeritud hooldustehnik.

⚠ HOIATUS: Raskete kehavigastuste vältimiseks tuleb masina puhastamise või hooldamise ajaks alati akuplokk eemaldada.

ÜLDHOOLDUS

Vältige plastosade puhastamisel lahustite kasutamist. Enamik plastmaterjalidest on vastuvõtlikud müügil olevatest lahustitest tulenevatele kahjustustele. Kasutage mustuse, tolmu, õli, määrdet jms eemaldamiseks puhast lappi.

⚠ HOIATUS: Ärge kunagi laske pidurivedelikel, bensiinil, naftabaasil toodetel, läbitungivatel õlidel jms puutuda kokku plastosadega. Kemikaalid võivad plasti kahjustada, nõrgendada või hävitada, mille tagajärjeks võib olla raske kehavigastus.

⚠ HOIATUS: Tulekahju, kehvagastuste ja lühisest põhjustatud tootekahjustuste ohu vähendamiseks ärge kunagi kastke masinat, akuplokki või laadijat vedelikku ega laske vedelikul nende sisse voolata. Söövitavad või juhtivad vedelikud, nagu merevesi, teatud tööstuskemikaalid, pleegitus- või valgendusaineid sisaldavad tooted jms võivad põhjustada lühiühenduse.

HOIUSTAMINE

- Eemaldage puhuriit akuplokk.
- Eemaldage puhuri õhu sissevõtuavadeist võõrkehaid.
- Joondage puhuritoru hoidiku nupp toru riputussoonega ja kinnitage puhuritoru akupesade korpuse külge (Joonised J1 ja J2).
- Hoidke seadet suletud ruumis lastele kättesaamatuna. Hoidke seadet eemal korrodeerivatest ainetest (nt aiakemikaalid ja jääsulatussoolad).

J1-1	Puhuritoru hoiunupp	J1-2	Toru riputussoon
------	---------------------	------	------------------

Keskonnakaitse



Ärge visake elektriseadmeid, kasutatud akut ega laadurit olmeprügi hulka! Viige toode volitatud taaskäitleja juurde ja võimaldage selle komponendid sorteerituna kõrvaldada. Elektritööriistad tuleb viia keskkonnakaitseasutuste juurde järgivasse jäätmekäitluskeskusesse.

TÖRKEOTSING

PROBLEEM	PÕHJUS	LAHENDUS
Puhur ei tööta.	<ul style="list-style-type: none"> ■ Akuplokk pole puhuriga ühendatud. 	<ul style="list-style-type: none"> ■ Kinnitage akuplokk puhuri külge.
	<ul style="list-style-type: none"> ■ Puhuri ja aku vahel puudub elektriline ühendus. 	<ul style="list-style-type: none"> ■ Eemaldage akuplokk, kontrollige ühendusi ja pange akuplokk tagasi.
	<ul style="list-style-type: none"> ■ Aku on tühi. 	<ul style="list-style-type: none"> ■ Laadige akut.
	<ul style="list-style-type: none"> ■ Akuplokk või puhur on liiga kuum. 	<ul style="list-style-type: none"> ■ Jahutage akuplokki ja puhurit, kuni temperatuur langeb alla 67 °C.
	<ul style="list-style-type: none"> ■ Õhukiiruse päästik. 	<ul style="list-style-type: none"> ■ Küsige abi EGO hoolduskeskusest.
<ul style="list-style-type: none"> ■ Aku või puhur on liiga külmad. 	<ul style="list-style-type: none"> ■ Eemaldage aku, laske akul ja puhuril siseruumides soojeneda. Soovitav on aku täielikult laadida ja käivitada puhur madalal kiirusel ilma turborežiimi aktiveerimata. 	
Kiiruse lukustusrežiimi ei saa sisse ega välja lülitada.	<ul style="list-style-type: none"> ■ Kahjustatud kiiruse lukustusnupp. 	<ul style="list-style-type: none"> ■ Küsige abi EGO hoolduskeskusest.
Õhukiirus väheneb märgatavalt.	<ul style="list-style-type: none"> ■ Aku laetuse tase on liiga madal. 	<ul style="list-style-type: none"> ■ Laadige akut.
	<ul style="list-style-type: none"> ■ Mootori ventilaatori liigne kulumine. 	<ul style="list-style-type: none"> ■ Remondi teostamiseks võtke ühendust EGO hoolduskeskusega.
	<ul style="list-style-type: none"> ■ Õhu sisselaskeava on ummistunud. 	<ul style="list-style-type: none"> ■ Eemaldage akuplokk ja seejärel eemaldage mustus.
LCD ekraan ei tööta korralikult.	<ul style="list-style-type: none"> ■ LCD-ekraan või juhtmeühendus on kahjustatud. 	<ul style="list-style-type: none"> ■ Remondi teostamiseks võtke ühendust EGO hoolduskeskusega.
1 LCD-ekraanil oleva kütusenäidiku LED vilgub.	<ul style="list-style-type: none"> ■ Aku laetuse tase on liiga madal. 	<ul style="list-style-type: none"> ■ Laadige akut.

GARANTII

EGO GARANTIIPÕHIMÕTTED

Täielikud EGO garantiitingimused leiate veebilehelt egopowerplus.eu.

ET

ПРОЧИТАЙТЕ ВСІ ІНСТРУКЦІЇ!



ПРОЧИТАЙТЕ ПОСІБНИК З ЕКСПЛУАТАЦІЇ

⚠ ПОПЕРЕДЖЕННЯ. Для гарантування безпеки та надійності всі ремонтні роботи повинен проводити кваліфікований технічний спеціаліст.

СИМВОЛИ, ЩО СТОСУЮТЬСЯ БЕЗПЕКИ

Мета символів, пов'язаних із безпекою, – привернути вашу увагу до можливих небезпек. Символи безпеки та їхнє пояснення заслуговують на вашу пильну увагу та розуміння. Символи попереджень самі по собі не усувають будь-якої небезпеки. Інструкції та попередження, які вони надають, не замінюють належних заходів щодо запобігання аваріям.

⚠ ПОПЕРЕДЖЕННЯ. Перш ніж користуватися цією машиною, обов'язково ознайомтеся з усіма інструкціями з безпеки, наведеними в цьому посібнику користувача, зокрема з усіма символами попереджень, такими як «НЕБЕЗПЕКА», «ПОПЕРЕДЖЕННЯ» та «ЗАСТЕРЕЖЕННЯ». Недотримання наведених нижче вказівок може спричинити ураження електричним струмом, пожежу та/або серйозні травми.

ЗНАЧЕННЯ СИМВОЛУ

⚠ СИМВОЛ ПОПЕРЕДЖЕННЯ ЩОДО БЕЗПЕКИ: Вказує на **НЕБЕЗПЕКУ**, **ПОПЕРЕДЖЕННЯ** або **ЗАСТЕРЕЖЕННЯ**. Може використовуватися разом з іншими символами або піктограмами.

ПРАВИЛА ТЕХНІКИ БЕЗПЕКИ

На цій сторінці зображено та описано символи, пов'язані з безпекою, які можуть відображатися на цьому виробі. Перш ніж намагатися зібрати та експлуатувати його, ознайомтеся з усіма інструкціями на інструменті та дотримуйтесь їх.



Попередження щодо безпеки



Щоб зменшити ризик травми, користувач повинен прочитати інструкцію користувача перед використанням цього виробу.



Під час роботи з цим виробом завжди використовуйте засоби захисту органів слуху.



Працюючи з цим виробом, завжди носіть закриті захисні окуляри чи відкриті захисні окуляри з бічними щитками або повнопрофільну захисну маску.



Тримайте сторонніх не ближче як за 15 метрів.



Цей виріб відповідає чинним директивам ЄС.



Цей виріб відповідає чинному законодавству Великобританії.



Відходи електричних виробів не слід викидати разом із побутовим сміттям. Зверніться до авторизованого пункту переробки.



Постійний струм



Символ Bluetooth®

UK

IPX5 Захист від водяних струменів

V Напруга

°C Градуси Цельсія

N Ньютон



Гарантований рівень звукової потужності.
Розповсюдження шуму в навколишнє середовище згідно з директивою Європейського співтовариства.

kg Кілограми

m³/h Кубічний метр на годину

m/s Метр на секунду

ТЕХНІЧНІ ХАРАКТЕРИСТИКИ

Напруга	56 В	
Максимальний об'єм повітря	1360 м ³ /год	
Максимальна швидкість повітря	85 м/с	
Максимальна сила видування	26 Н	
Приблизний час роботи	3 двома акумуляторними батареями по 6,0 А-год	24 хв (Турбо) 32 хв (Висока швидкість) 120 хв (Низька швидкість)
	3 двома акумуляторними батареями по 7,5 А-год	30 хв (Турбо) 40 хв (Висока швидкість) 150 хв (Низька швидкість)
	3 двома акумуляторними батареями по 10 А-год	40 хв (Турбо) 52 хв (Висока швидкість) 200 хв (Низька швидкість)
	3 двома акумуляторними батареями по 12 А-год	48 хв (Турбо) 63 хв (Висока швидкість) 240 хв (Низька швидкість)
	Діапазон робочих частот Bluetooth	2400 - 2438 МГц
	Максимальна потужність передачі	5 дБм
	Вага (без акумулятора)	7,7 кг
	Діапазон рекомендованих робочих температур	-15°C - 40°C
	Діапазон рекомендованих температур зберігання	-20 °C - 70 °C

Вимірний рівень звукової потужності L _{WA}	97 дБ(A) K=1,1 дБ(A)
Рівень звукового тиску на місці вуха оператора L _{PA}	82 дБ(A) K=3 дБ(A)
Гарантований рівень звукової потужності L _{WA} (відповідно до стандарту 2000/14/EC)	98 дБ(A)
Вібрація a _h	0,35 м/с ² K=1,5 м/с ²

- Вказане загальне значення вібрації виміряне за стандартним методом тестування і може використовуватися для порівняння одного інструмента з іншим;
- Заявлене сумарне значення вібрації може також використовуватись для попередньої оцінки впливу.

ПРИМІТКА. Емісія вібрації під час фактичного використання електроінструмента може відрізнитися від заявленої величини, у якій використовується інструмент. Щоб захистити оператора, користувач повинен одягати рукавички та захисні навушники в реальних умовах використання.

ПАКУВАЛЬНИЙ СПИСОК (РИС. А1)

ОПИС

ОЗНАЙОМЛЕННЯ З ПОВІТРОДУВКОЮ (рис. А1)

1. Регульовані підвісні ремені
2. Ручка для зберігання трубки повітродувки
3. Наплічна пластина
4. Ручка керування
5. Конічна насадка
6. Трубка повітродувки
7. Трубка ручки керування
8. Сильфон
9. Отвір для входу повітря

UK

10. Допоміжна ручка
11. Електричні контакти
12. Засувка
13. Кнопки звільнення акумулятора
14. Ручка
15. Кнопка блокування швидкості
16. РК-екран
17. Кнопка «Турбо»
18. Тригер швидкості повітря
19. Паз для підвішування трубки
20. Важелі ексцентрика
21. Індикатор Bluetooth
22. Показчик рівня палива
23. Значок вентилятора
24. Індикатор «Турбо»
25. Індикатор швидкості повітря
26. Значок блокування швидкості
27. Значок акумулятора

ЗБИРАННЯ

⚠ ПОПЕРЕДЖЕННЯ. Якщо якісь частини пошкоджені або відсутні, не користуйтеся цим інструментом, доки вони не будуть замінені. Використання цього виробу з пошкодженими або відсутніми деталями може призвести до серйозних травм.

⚠ ПОПЕРЕДЖЕННЯ. Не намагайтеся вдосконалити цю повітродувку або застосувати приладдя, не рекомендоване для неї. Кожна така заміна чи переробка є фактом неправильного користування, створює небезпечні умови й загрожує серйозними травмами.

⚠ ПОПЕРЕДЖЕННЯ. Щоб запобігти випадковому запуску, що може спричинити серйозні травми, завжди виймайте акумулятори з інструмента під час установлення деталей.

УСТАНОВЛЕННЯ ТРУБОК ПОВІТРОДУВКИ

Під'єднання трубки ручки керування до сильфонів

1. Вставте верхній кінець трубки ручки керування в сильфон до упору (рис. В1).
2. Надійно затягніть гвинт у затискному кільці, прикріпленому до сильфонів (рис. В2).

В1-1	Сильфон	В1-2	Затискне кільце
В1-3	Верхній кінець	В1-4	Трубка ручки керування

В2-1	Гвинт		
------	-------	--	--

Під'єднання трубки повітродувки до трубки ручки керування

1. Послабте та зніміть важіль швидкого звільнення та гайку-баранець із затискача трубки в зборі, прикріпленого до трубки повітродувки (рис. С1).
2. Сумістіть канавку на трубці повітродувки з ребром на трубці ручки керування, надягніть трубку повітродувки на трубку ручки керування до упору (рис. С2).
3. Вставте штифт важеля швидкого звільнення та закрийте важіль на затискачі трубки (рис. С3).
4. Затягніть гайку-баранець, щоб закріпити затискач трубки (рис. С4).

С1-1	Трубка повітродувки	С1-2	Затискач трубки
С1-3	Важіль швидкого звільнення	С1-4	Гайка-баранець
С2-1	Трубка повітродувки	С2-2	Трубка ручки керування
С2-3	Паз	С2-4	Виступ
С3-1	Штифт		

Під'єднання конічної насадки до трубки повітродувки

1. Сумістіть канавку на насадці із засувкою на трубці. Насуньте насадку на трубку так, щоб вона надійно зафіксувалася на місці (рис. D1).
2. Для зняття насадки натисніть і утримуйте кнопку відпускання сопла, щоб відкрити фіксатор, потім витягніть насадку прямо з трубки повітродувки (рис. D2).

D1-1	Кнопка звільнення наконечника	D1-2	Засувка
------	-------------------------------	------	---------

ЕКСПЛУАТАЦІЯ

⚠ ПОПЕРЕДЖЕННЯ. Знання виробу не має робити вас недбалим. Пам'ятайте, що півсекунди неувважності досить для серйозної травми.

⚠ ПОПЕРЕДЖЕННЯ. Не використовуйте приладдя чи насадки, не рекомендовані виробником цього пристрою. Використання нерекomenдованого приладдя чи насадок може призвести до серйозних травм.

⚠ ПОПЕРЕДЖЕННЯ. Завжди виймайте акумулятори з виробу, коли збираєте деталі, виконуєте регулювання, очищення, або коли виріб не використовується.

Виймання акумуляторів запобігає випадковому запуску, що може спричинити серйозні травми.

Перед кожним використанням перевіряйте весь виріб на предмет пошкоджень, відсутності або послаблення деталей, таких як гвинти, гайки, болти, кришки тощо. Закріпіть усі затиски та ковпачки і не використовуйте цей прилад, доки не будуть замінені всі відсутні або пошкоджені деталі.

ЗАСТОСУВАННЯ

Ви можете використовувати цей виріб для цілей, перелічених нижче:

- Прибирання листя та іншого дворового сміття з газонів і мульчувальних грядок.
- Очищення твердих поверхонь, таких як під'їзні шляхи та пішохідні доріжки.
- Прибирання листя та хвої з під'їзних шляхів і настилів.

ПРИМІТКА. Цей інструмент має використовуватись тільки за призначенням. Будь-яке інше використання вважається випадком використання не за призначенням.

УСТАНОВЛЕННЯ І ВИДАЛЕННЯ АКУМУЛЯТОРА

Використовуйте лише акумулятори та зарядні пристрої EGO, перелічені на рис. A2.

Щоб отримати додаткові відомості, див. інструкції відповідних акумуляторів і зарядних пристроїв.

Повністю зарядіть перед першим використанням.

ПРИМІТКА. Для найкращої продуктивності ми рекомендуємо використовувати акумуляторну батарею EGO BA3360T з напругою 56 В (6,0 А·год) або інші акумуляторні батареї EGO на 56 В з більшою ємністю (А·год).

Повітродувка має два активні акумуляторні порти, розташовані з лівої та правої сторони корпусу акумуляторного порту.

ПРИМІТКА. Повітродувка може працювати від одного або двох акумуляторів. Використання двох акумуляторів забезпечує триваліший час роботи та ефективне енергоспоживання під керуванням технології PEAK POWER™.

Коли акумуляторні батареї вставлені у відповідні порти, позначені цифрами 1 або 2 на пластині рюкзака, і повітродувка ввімкнена, на РК-дисплеї загориться відповідний значок акумулятора (рис. E1).

Приєднання (рис. E2)

Вирівняйте виступи на акумуляторі з кріпильними отворами та натисніть на акумуляторну батарею, доки не почуєте «кляцання». Прикріпіть іншу батарею.

Видалення

Натисніть кнопку звільнення акумулятора та витягніть акумуляторну батарею.

⚠ ПОПЕРЕДЖЕННЯ. Завжди звертайте увагу на розташування своїх ніг, дітей або домашніх тварин, коли натискаєте кнопку звільнення батареї. Падіння акумулятора може призвести до серйозної травми. НІКОЛИ не виймайте акумулятор у високо розташованому місці.

E1-1	Кількість портів для акумуляторів	E1-2	РК-екран
E1-3	Значок акумулятора	E2-1	Виступ акумулятора
E2-2	Кріпильний отвір	E2-3	Кнопка звільнення акумулятора

РОЗМІЩЕННЯ НАПЛІЧНОЇ ПОВІТРОДУВКИ

⚠ ПОПЕРЕДЖЕННЯ. Одягайтеся правильно, щоб зменшити ризик травми під час роботи з цією машиною. Не носіть вільного одягу або прикрас. Одягайте захисні окуляри та навушники. Носіть важкі, довгі штани, міцне взуття та рукавички. Не носіть шорти, сандалі, не працюйте босоніж.

Перед використанням ранцевої повітродувки переконайтеся, що оператор має захисні окуляри та відповідний одяг, а також може міцно стояти на ногах і зберігати рівновагу.

Регулювання підвісних ременів

1. Просуньте руки через наплічні ремені, щоб тримати повітродувку на спині.
2. Тимчасово відрегулюйте обидва плечові ремені у зручних положеннях (рис. F1), переконавшись, що вашим ліктям зручно.
3. Прикріпіть нагрудну пряжку та за необхідності відрегулюйте довжину нагрудного ремня (рис. F2).
4. Застебніть поясну пряжку та відрегулюйте довжину поясного ремня так, щоб наплічник надійно підтримувався стегнами (рис. F3 і F4).

ПРИМІТКА. Наплічник не має сидіти надто високо на спині; його слід розташувати ближче до стегон, ніж до плечей.

⚠ ПОПЕРЕДЖЕННЯ. У разі виникнення надзвичайної ситуації негайно розстібніть нагрудну та поясну пряжки, щоб зняти лямки наплічника з обох боків. Це спосіб швидкого вивільнення.

5. Відрегулюйте плечові ремені для безпеки та

зручності. Переконайтеся, що наплічник надійно сидить на спині, при цьому вага підтримується поясним ремнем, і без надмірного руху, коли ви рухаєтеся (рис. F5).

- Вставте будь-яку зайву частину поясного ремня в резинку з обох боків (рис. F6).
- Щоб зняти наплічник зі спини, просто натисніть на поясну та нагрудну пряжки, щоб відпустити їх, і опустіть повітродувку (рис. F7).

F1-1	Плечий ремінь	F2-1	Нагрудна пряжка
F3-1	Поясна пряжка	F6-1	Резинка
F6-2	Додаткова довжина ремінця		

Регулювання ручки керування

- Відпустіть важіль швидкого звільнення, щоб перемістити ручку керування вперед або назад у міру необхідності (рис. G1 і G2), а потім закрийте важіль швидкого звільнення, щоб зафіксувати ручку керування на місці.
- Ви також можете обертати рукоятку, як це потрібно для зручності (рис. G3).

G1-1	Ручка керування	G1-2	Важіль швидкого звільнення
------	-----------------	------	----------------------------

Регулювання довжини трубки ручки керування (рис. H1, H2)

- Відкрийте важіль ексцентрика.
- Перемістіть трубку повітродувки в зручне робоче положення в зоні регулювання (рис. H1).
- Закрийте важіль ексцентрика, щоб зафіксувати трубку повітродувки на місці (рис. H2).

H1-1	Трубка повітродувки	H1-2	Важіль швидкого звільнення
H2-1	Зона регулювання		

ЗАПУСК/ЗУПИНКА ПОВІТРОДУВКИ

ПРИМІТКА. Повітродувка може не запуститися належним чином, якщо температура акумуляторної батареї або повітродувки становить -15°C або нижче. У такому разі вийміть акумуляторну батарею з повітродувки, дайте акумуляторній батареї та повітродувці прогрітися в приміщенні протягом 10 хвилин або довше. Установіть акумуляторну батарею та спробуйте знову.

Тригер швидкості повітря (рис. I1, I2)

- Натисніть тригер швидкості повітря, щоб увімкнути повітродувку, після чого на РК-екрані з'явиться індикатор рівня палива, значок акумулятора та індикатор швидкості повітря.

ПРИМІТКА. 1 світлодіод покажчика рівня палива на РК-дисплеї блимає, коли акумулятор розряджений.

- Швидкість повітря з повітродувки регулюється за допомогою тригера зі змінною швидкістю. Більший тиск на тригер підвищує швидкість подачі повітря; менший тиск на тригер знижує швидкість подачі повітря. Відрегулюйте швидкість відповідно до поставленого завдання. На РК-екрані з'явиться відповідний індикатор швидкості повітря.
- Відпустіть тригер швидкості повітря, щоб вимкнути повітродувку. РК-екран вимкнеться протягом певного часу після відпускання тригера.

Режим «Турбо»

Утримуючи тригер швидкості повітря натиснутим, натисніть кнопку «Турбо», щоб збільшити швидкість потоку повітря до максимальної (рис. I1). На РК-екрані загориться індикатор турборежиму та значок вентилятора (рис. I3).

ПРИМІТКА. Повітродувка повернеться до попередньої швидкості після відпускання кнопки турборежиму.

Режим блокування швидкості

Блокування швидкості можна використовувати для роботи повітродувки без постійного натискання на тригер швидкості повітря.

- Натискайте тригер швидкості повітря, доки не досягнете бажаної швидкості (рис. I1).
- Натисніть кнопку блокування швидкості. На РК-екрані засвітиться значок блокування швидкості (рис. I4).
- Потім відпустіть тригер швидкості повітря, повітродувка продовжить працювати на «бажаній» швидкості.

ПРИМІТКА. Натискання кнопки «Турбо» в режимі блокування швидкості може заблокувати швидкість повітря на максимальному рівні. Повітродувка відновить попередню швидкість, якщо ще раз натиснути кнопку «Турбо».

- Щоб зняти блокування швидкості, натисніть кнопку блокування швидкості ще раз. Значок блокування швидкості зникне з РК-екрана, і повітродувка вимкнеться.

I1-1	Кнопка «Турбо»	I1-2	Кнопка блокування швидкості
I1-3	Тригер швидкості повітря	I2-1	Показчик рівня палива
I2-2	Індикатор швидкості повітря	I2-3	Значок акумулятора
I3-1	Значок вентилятора	I3-2	Індикатор «Турбо»
I4-1	Значок блокування швидкості		

КОМУНІКАЦІЙНА ТЕХНОЛОГІЯ

Для отримання інформації про повний спектр під'єднаних продуктів і послуг, зокрема інструкцій із підключення, відскануйте QR-код нижче або відвідайте сайт www.egopowerplus.eu/connect.



ПОРАДИ З ВИКОРИСТАННЯ ПОВІТРОДУВКИ

- Щоб уникнути розсіпання сміття, обдувайте навколо зовнішніх країв купи сміття. Ніколи не дуйте прямо в центр купи.
- Щоб зменшити рівні шуму, обмежте кількість одиниць обладнання, яке використовується одночасно.
- Використовуйте граблі та мітли, щоб сміття легко відставало від землі, перед видуванням. У пильних умовах, якщо доступна вода, злегка змочіть поверхню.
- Стежте за дітьми, домашніми тваринами, відкритими вікнами чи свіжопомитими автомобілями та видувайте сміття безпечно.
- Після використання повітродувки або іншого обладнання прибирайте! Викидайте сміття належним чином.

ОБСЛУГОВУВАННЯ

⚠ ПОПЕРЕДЖЕННЯ. Використовуйте для технічного обслуговування лише ідентичні запчастини. Використання будь-яких інших частин створює небезпеку або може призвести до поломки виробу. Для гарантування безпеки та надійності всі ремонтні роботи повинен проводити кваліфікований технічний спеціаліст.

⚠ ПОПЕРЕДЖЕННЯ. Щоб уникнути серйозних травм, завжди виймайте акумуляторну батарею з виробу, перш ніж чистити або виконувати будь-яке технічне обслуговування.

ЗАГАЛЬНИЙ ТЕХНІЧНИЙ ДОГЛЯД

Не використовуйте розчинники для очищення пластмасових деталей. Більшість пластмас чутливі до різноманітних промислових розчинників і можуть бути ними пошкоджені. Для видалення бруду, пилу, мастила тощо користуйтеся чистою ганчіркою.

⚠ ПОПЕРЕДЖЕННЯ. Ніколи не допускайте контакту пластмасових частин із гальміною рідиною, бензином, нафтопродуктами, проникаючими оліями і т. ін. Хімікати можуть пошкодити, ослабити або зруйнувати пластмасу, а це загрожує серйозними травмами.

⚠ ПОПЕРЕДЖЕННЯ. Щоб зменшити ризик пожежі, травмування та пошкодження виробу через коротке замикання, ніколи не занурюйте пристрій, акумулятор або зарядний пристрій у рідину та не допускайте потрапляння рідини всередину. Корозійні або струмопровідні рідини, такі як морська вода, деякі промислові хімікати, відбілювач або продукти, що містять відбілювач тощо, можуть спричинити коротке замикання.

ЗБЕРІГАННЯ

- Вийміть акумуляторну батарею(-і) з повітродувки.
- Прибирайте всі сторонні матеріали з повітрязбірних отворів повітродувки.
- Вирівняйте ручку для зберігання трубки повітродувки з пазом для підвішування трубки та закріпіть трубку повітродувки на корпусі порту для акумулятора (рис. J1 & J2).
- Зберігайте в замкнутому місці, недоступному для дітей. Тримайте подалі корозійні агенти, такі як садові хімікати та солі проти ожеледі.

J1-1	Ручка для зберігання трубки повітродувки	J1-2	Паз для підвішування трубки
------	--	------	-----------------------------

Захист довкілля



Не викидайте електричне обладнання, акумулятор і зарядний пристрій у побутові відходи! Віднесіть цей виріб авторизованому переробнику й надайте його для роздільного збирання. Електроінструменти необхідно повернути в підприємство, що займається екологічно безпечною переробкою.

UK

УСУНЕННЯ НЕСПРАВНОСТЕЙ

НЕСПРАВНІСТЬ	ПРИЧИНА	ВИРІШЕННЯ
Повітродувка не працює.	<ul style="list-style-type: none"> ■ Акумуляторна батарея не приєднана до повітродувки. 	<ul style="list-style-type: none"> ■ Під'єднайте акумулятор до повітродувки.
	<ul style="list-style-type: none"> ■ Немає електричного контакту між повітродувкою і батареєю. 	<ul style="list-style-type: none"> ■ Вийміть акумуляторну батарею, перевірте контакти та знову встановіть акумуляторну батарею.
	<ul style="list-style-type: none"> ■ Акумуляторна батарея розряджена. 	<ul style="list-style-type: none"> ■ Зарядіть акумуляторну батарею.
	<ul style="list-style-type: none"> ■ Акумулятор або повітродувка занадто гарячі. 	<ul style="list-style-type: none"> ■ Остудіть акумулятор і повітродувку, доки їхня температура не опуститься нижче 67 °C.
	<ul style="list-style-type: none"> ■ Пошкоджений тригер швидкості повітря. 	<ul style="list-style-type: none"> ■ Зверніться до клієнтської служби EGO для ремонту.
	<ul style="list-style-type: none"> ■ Акумуляторна батарея або повітродувка занадто холодні. 	<ul style="list-style-type: none"> ■ Вийміть акумуляторну батарею, дайте акумуляторній батареї та повітродувці нагрітися в приміщенні. Рекомендується повністю зарядити акумуляторну батарею та запустити повітродувку на низькій швидкості без активації режиму «Турбо».
Режим фіксації швидкості не можна вимкнути або вимкнути.	<ul style="list-style-type: none"> ■ Пошкоджена кнопка блокування швидкості. 	<ul style="list-style-type: none"> ■ Зверніться до клієнтської служби EGO для ремонту.
Швидкість повітря помітно знижується.	<ul style="list-style-type: none"> ■ Низький заряд акумулятора. 	<ul style="list-style-type: none"> ■ Зарядіть акумуляторну батарею.
	<ul style="list-style-type: none"> ■ Надмірний знос вентилятора мотора. 	<ul style="list-style-type: none"> ■ Зверніться до сервісної служби EGO для ремонту.
	<ul style="list-style-type: none"> ■ Повітрозабірник заблоковано сміттям. 	<ul style="list-style-type: none"> ■ Вийміть акумуляторну батарею, потім очистьте від сміття.
РК-екран не працює належним чином.	<ul style="list-style-type: none"> ■ РК-екран або дротове з'єднання пошкоджені. 	<ul style="list-style-type: none"> ■ Зверніться до сервісної служби EGO для ремонту.
Блимає 1 світлодіод показчика рівня палива на РК-екрані.	<ul style="list-style-type: none"> ■ Низький заряд акумулятора. 	<ul style="list-style-type: none"> ■ Зарядіть акумуляторну батарею.

UK

ГАРАНТІЯ

ПРАВИЛА ГАРАНТІЇ EGO

Відвідайте веб-сайт egopowerplus.eu для отримання повного тексту умов гарантійної політики EGO.

ПРОЧЕТЕТЕ ВСИЧКИ ИНСТРУКЦИИ!



ПРОЧЕТЕТЕ РЪКОВОДСТВОТО НА ОПЕРАТОРА

⚠ ПРЕДУПРЕЖДЕНИЕ: За да осигурите безопасността и надеждността, всички поправки трябва да се извършват от квалифициран сервизен техник.

СИМВОЛИ ЗА БЕЗОПАСНОСТ

Целта на символите за безопасност е да привличат вниманието към възможни опасности. Символите за безопасност и обясненията към тях заслужават вашето повишено внимание и осъзнаване. Символите за безопасност сами по себе си не елиминират каквато и да е опасност. Инструкциите и предупрежденията, които предоставят не са заместители за подходящите мерки за предотвратяване на инцидент.

⚠ ПРЕДУПРЕЖДЕНИЕ: Уверете се, че сте прочели и разбрали всички инструкции за безопасност в това Ръководство на оператора, включително всички известяващи символи за безопасност, като „ОПАСНОСТ“, „ПРЕДУПРЕЖДЕНИЕ“ и „ВНИМАНИЕ“, преди да използвате тази машина. Неспазването на всички инструкции изброени долу може да доведе до електрически удар, пожар и/или сериозно нараняване.

ЗНАЧЕНИЕ НА СИМВОЛИТЕ

⚠ СИМВОЛ СИГНАЛИЗИРАЩ ЗА БЕЗОПАСНОСТ: Означава ОПАСНОСТ, ПРЕДУПРЕЖДЕНИЕ или ВНИМАНИЕ, може да бъде използван във връзка с други символи или пиктограми.

ИНСТРУКЦИИ ЗА БЕЗОПАСНОСТ

Тази страница изобразява и описва символите за безопасност, които може да се появят по този продукт. Прочетете, осъзнайте и следвайте всички инструкции по машината преди предприемане на сглобяване или работа.



Сигнал за безопасност



Винаги носете защита за слуха, когато работите с този продукт.



Дръжте околните настрани поне на 15 м.



Този продукт е в съответствие с приложимото законодателство на Великобритания.



Постоянен ток



За намаляване на опасността от нараняване, потребителят трябва да прочете ръководството на оператора преди използването на този продукт.



Винаги носете предпазни очила със странична защита и предпазен екран за цялото лице, когато работите с този продукт.



Този продукт е в съответствие с приложимите директиви на ЕС.



Отпадъчните електрически продукти не трябва да бъдат изхвърляни заедно с домакинския отпадък. Отнесете го до упълномощено място за рециклиране.



Символ за Bluetooth®

BG

IPX5 Защита от водни струи

V Напрежение

°C Целзий

N Нютон



Гарантирано ниво на мощност на звука.
Звуковите емисии към околната среда са в съответствие с директивите на европейската общност.

kg Килограм

m³/h Кубичен метър за час

m/s Метър за секунда

СПЕЦИФИКАЦИИ

Напрежение	56 V	
Максимален обем на въздуха	1360 м³/ч	
Максимална скорост на въздуха	85 м/с	
Максимална сила на издухване	26 N	
Приблизително време на работа	С две 6,0 Ah акумулаторни батерии	24 мин. (турбо)
		32 мин. (висока скорост)
		120 мин. (ниска скорост)
	С две 7,5 Ah акумулаторни батерии	30 мин. (турбо)
		40 мин. (висока скорост)
		150 мин. (ниска скорост)
	С две 10 Ah акумулаторни батерии	40 мин. (турбо)
		52 мин. (висока скорост)
		200 мин. (ниска скорост)
	С две 12 Ah акумулаторни батерии	48 мин. (турбо)
		63 мин. (висока скорост)
		240 мин. (ниска скорост)
Работна честотна лента на Bluetooth	2400 - 2438 MHz	
Максимална предавана мощност на Bluetooth	5 dBm	
Тегло (без акумулаторна батерия)	7,7 кг	
Препоръчителна работна температура	-15°C - 40°C	
Препоръчителна температура на съхранение	-20°C - 70°C	

Измерено ниво на сила на звука L_{WA}	97 dB(A) K=1,1 dB(A)
Ниво на звуково налягане при ухото на оператора L_{PA}	82 dB(A) K=3 dB(A)
Гарантирано ниво на сила на звука L_{WA} (измерено съгласно 2000/14/EC)	98 dB(A)
Вибрации при h	0,35 m/s² K=1,5 m/s²

- Декларираният общ размер на вибрации е измерен в съответствие със стандартния метод за тест и може да бъде използван за сравнение между два инструмента;
- Декларираният общ размер на вибрации може също така да бъде използван за предварителна оценка на влиянието.

БЕЛЕЖКА: Вибрационните емисии по време на действителната употреба на електрическия инструмент може да се различава от декларираната стойност. С цел да се защити оператора, потребителят трябва да носи ръкавици и антифони в действителни условия на работа.

ОПАКОВЪЧЕН ЛИСТ (ФИГ. A1)

ОПИСАНИЕ

ОПОЗНАЙТЕ ВАШАТА ВЪЗДУХОДУВКА (Фиг. A1)

1. Регулируема поддържаща сбруя
2. Копче на въздуходувката за съхранение на тръбата
3. Табелка на раницата
4. Контролна ръкохватка
5. Конусна дюза
6. Тръба на въздуходувката
7. Тръба на контролната ръкохватка

BG

8. Духало
9. Вход за въздух
10. Спомагателна ръкохватка
11. Електрически контакти
12. Резе
13. Бутони за освобождаване на батерията
14. Ръкохватка
15. Бутон за заключване на скоростта
16. LCD екран
17. Бутон турбо
18. Спусък за скорост на въздуха
19. Жлеб за окачане на тръбата
20. Лостове за бързо освобождаване
21. Индикатор за Bluetooth
22. Индикатор за заряд
23. Икона на перка
24. Индикатор турбо
25. Индикатор на скоростта на въздуха
26. Икона за заключване на скоростта
27. Икона за акумулаторната батерия

B1-1	Духало	B1-2	Затягаща яка
B1-3	Горен край	B1-4	Тръба на контролната ръкохватка
B2-1	Винт		

Свързване на тръбата на въздуходувката към тръбата на контролната ръкохватка

1. Разхлабете и отстранете лоста за бързо освобождаване и крилчатата гайка от възела на тръбната скоба, фиксиран върху тръбата на въздуходувката (Фиг. С1).
2. Подравнете жлеба в тръбата на въздуходувката с реброто на тръбата на контролната ръкохватка, плъзнете тръбата на въздуходувката върху тръбата на контролната ръкохватка, докъдето стигне (Фиг. С2).
3. Поставете щифта на лоста за бързо освобождаване и затворете лоста върху тръбната скоба (Фиг. С3).
4. Затегнете крилчатата гайка, за да закрепите тръбната скоба (Фиг. С4).

C1-1	Тръба на въздуходувката	C1-2	Тръбна скоба
C1-3	Лост за бързо освобождаване	C1-4	Крилчатата гайка
C2-1	Тръба на въздуходувката	C2-2	Тръба на контролната ръкохватка
C2-3	Жлеб	C2-4	Ребро
C3-1	Щифт		

Свързване на конусната дюза към тръбата на въздуходувката

1. Подравнете жлеба в дюзата с резето на тръбата. Натиснете дюзата върху тръбата, докато тя сигурно щракне на място (Фиг. D1).
2. **За да отстраните дюзата**, натиснете и задръжте бутона за освобождаване на дюзата, за да отключите резето и след това издърпайте направо дюзата от тръбата на въздуходувката (Фиг. D2).

D1-1	Бутон за освобождаване на дюзата	D1-2	Резе
------	----------------------------------	------	------

МОНТАЖ

⚠ ПРЕДУПРЕЖДЕНИЕ: Ако някои от частите са повредени или липсват, не работете с този продукт, докато частите не се подменят. Използването на този продукт с повредени или липсващи части може да доведе до сериозно лично нараняване.

⚠ ПРЕДУПРЕЖДЕНИЕ: Не се опитвайте да модифицирате този продукт или да създадете аксесоари, които не се препоръчват за употреба с тази въздуходувка. Всяка такава промяна или модификация е злоупотреба и може да доведе до опасни условия с последици от възможни сериозни наранявания.

⚠ ПРЕДУПРЕЖДЕНИЕ: За да предотвратите случайно стартиране, което може да причини сериозно нараняване винаги изваждайте акумулаторните батерии от инструмента, когато сглобявате частите.

МОНТИРАНЕ НА ТРЪБИТЕ НА ВЪЗДУХОДУВКАТА

Свързване на тръбата на контролната ръкохватка към духалото

1. Поставете горния край на тръбата на контролната ръкохватка в духалото, докъдето стигне (Фиг. B1).
2. Затегнете сигурно винта в затягащата яка, прикрепена към духалото (фиг. B2).

ЕКСПЛОАТАЦИЯ

⚠ ПРЕДУПРЕЖДЕНИЕ: Не позволявайте рутината с този продукт да ви направи непредпазливи. Запомнете, че невнимание за малка част от секундата е достатъчна за да нанесе сериозно нараняване.

⚠ ПРЕДУПРЕЖДЕНИЕ: Не използвайте други приставки или аксесоари, които не са препоръчани от производителя на този продукт. Употребата на приставки или аксесоари, които не са препоръчани, може да доведе до сериозно нараняване.

⚠ ПРЕДУПРЕЖДЕНИЕ: Винаги изваждайте акумулаторните батерии от продукта, когато монтирате части, правите настройки, почиствате или когато не е в употреба. Снемането на акумулаторните батерии ще предотврати инцидентно стартиране, което може да предизвика сериозно нараняване.

Преди всяка употреба проверявайте целия продукт за повредени, липсващи или разхлабени части, като винтове, гайки, болтове, капачки и др. Затегнете сигурно всички закопчалки и капачки и не работете с този продукт, докато всички повредени или липсващи части не бъдат подменени.

ПРИЛОЖЕНИЕ

Може да използвате този продукт за целите описани долу:

- Разчистване на листа и различни дворни отломки от тревни площи и мулч легла.
- Почистване на твърди повърхности като алеи и пътеки.
- Поддържане на площадки и алеи без листа и иглички от иглолистни дървета.

БЕЛЕЖКА: Инструментът трябва да бъде използван само за предназначенията цели. Всяка друга употреба се смята за случай на злоупотреба.

МОНТИРАНЕ/ИЗВАЖДАНЕ НА АКУМУЛАТОРНАТА БАТЕРИЯ

Използвайте единствено акумулаторни батерии EGO и зарядни устройства изброени във Фиг. А2.

Обърнете се към съответните ръководства за батерии и зарядни устройства за повече подробности.

Заредете напълно преди първата употреба.

БЕЛЕЖКА: За най-добра производителност препоръчваме да използвате акумулаторната батерия EGO 56V BA3360T (6,0 Ah) или други акумулаторни батерии EGO 56V с по-висока стойност на Ah.

Въздуходуквата има два активни порта за батерии, намиращи се от лявата и дясната страна на корпуса на порта за батерии.

БЕЛЕЖКА: Въздуходуквата може да работи с една или две батерии. Използването на две батерии ви дава по-дълго време на работа и ефективно захранване, управлявано от технологията PEAK POWER™.

Когато батериите са поставени в съответните портове за батерии, маркирани с 1 или 2 на табелката на раницата, и вентилаторът е включен, съответната икона на батерията ще светне на LCD екрана (фиг. E1).

За закрепване (фиг. E2)

Подравнете ребрата на акумулаторната батерия с монтажните жлебове и натиснете батерията надолу, докато чуете „щракване“ Прикрепете другата батерия.

За да извадите

Натиснете бутона за освобождаване на батерията и издърпайте акумулаторната батерия навън

⚠ ПРЕДУПРЕЖДЕНИЕ: Винаги обръщайте внимание на местоположението на краката си, деца или домашни любимци, когато бутон за освобождаване на акумулаторната батерия. Може да възникне сериозно нараняване, ако батерията падне. НИКОГА не премахвайте батерията, когато сте на високо място.

E1-1	Брой на портовете за батерии	E1-2	LCD екран
E1-3	Икона за акумулаторната батерия	E2-1	Ребро на батерията
E2-2	Монтажен отвор	E2-3	Бутон за освобождаване на батерията

ПОЗИЦИОНИРАНЕ НА ВЪЗДУХОДУВКАТА С РАНИЦА

⚠ ПРЕДУПРЕЖДЕНИЕ: Облечете се правилно за да намалите риска от нараняване, когато работите с тази машина. Не носете отпуснати дрехи или бижута. Носете защита за очите и защита за очите/слуха. Носете тежки, дълги панталони, ботуши и ръкавици. Не носете къси панталони или сандали или не ходете бос.

Преди да използвате въздуходуквата раница, уверете се, че операторът носи защитата на очите и подходящо облекло и може да поддържа сигурна и балансирана стойка.

За да регулирате поддържащата сбруя

1. Вкарайте ръцете си през ремъците на раницата за да задържите въздуходувката на гърба си.
2. Временно регулирайте и двата ремъка за раменете в удобна позиция (фиг. F1), като се уверите, че е удобно за лакътя.
3. Заклучете катарамата на гърдите и регулирайте дължината на гръдния ремък, ако е необходимо (фиг. F2).
4. Заклучете катарамата на кръста и регулирайте дължината на ремъка за кръста, така че раницата да е сигурно закрепена на ханша (фиг. F3 и F4).

БЕЛЕЖКА: Раницата не трябва да стои твърде високо на гърба, трябва да бъде позиционирана по-близо до ханша отколкото до раменете.

▲ ПРЕДУПРЕЖДЕНИЕ: Когато възникне извънредна ситуация, освободете незабавно закопчалките на гърдите и талията, за да свалите ремъка на раницата от всяка страна. Това е метод за бързо освобождаване.

5. Регулирайте отново ремъците на раменете за сигурност и комфорт. Уверете се, че раницата стои сигурно на гърба ви, като теглото се поема от ремъка на кръста и няма излишни движения, когато се движите (фиг. F5).
6. Вкарайте остатъчната дължина на ремъка около кръста в ластичите от двете страни (фиг. F6).
7. За да отделите раницата от гърба си, просто натиснете катарамите на кръста и гърдите, за да ги освободите и свалете въздуходувката. (фиг. F7).

F1-1	Ремък за рамо	F2-1	Катарамата за гръдния ремък
F3-1	Ремък за кръста	F6-1	Ластик
F6-2	Допълнителна дължина на ремъка		

За да регулирате контролната ръкохватка

1. Освободете лоста за бързо освобождаване, за да преместите контролната ръкохватка напред или назад, ако е необходимо (фиг. G1 и G2) и след това зацепете лоста за бързо освобождаване, за да закрепите контролната ръкохватка на място.
2. Може също да завъртите ръкохватката, както е необходимо за удобство (фиг. G3).

G1-1	Контролна ръкохватка	G1-2	Лост за бързо освобождаване
------	----------------------	------	-----------------------------

За да регулирате дължината на тръбата на контролната ръкохватка (фиг. H1, H2)

1. Освободете лоста за бързо освобождаване.
2. Преместете тръбата на въздуходувката в удобно работно положение в зоната за регулиране (фиг. H1).
3. Включете лоста за бързо освобождаване, за да закрепите тръбата на въздуходувката на място (фиг. H2).

H1-1	Тръба на въздуходувката	H1-2	Лост за бързо освобождаване
H2-1	Зона за регулиране		

СТАРТИРАНЕ/СПИРАНЕ НА ВЪЗДУХОДУВКАТА

БЕЛЕЖКА: Възможно е въздуходувката да не се стартира правилно, ако температурата на акумулаторната батерия или на въздуходувката е -15°C или по-ниска. В този случай извадете акумулаторната батерия от въздуходувката, оставете акумулаторната батерия и въздуходувката да се загрее на закрито за 10 минути или повече. Инсталирайте отново акумулаторната батерия и опитайте отново.

Спусък за скорост на въздуха (фиг. I1, I2)

- Натиснете спусъка за скорост на въздуха, за да включите машината, след което на LCD екрана ще се появят показанията на индикатора за гориво, иконата на батерията и индикатора за скорост на въздуха.

БЕЛЕЖКА: 1 светодиода на индикатора за гориво на LCD екрана мига, когато зарядът на батерията е нисък.

- Скоростта на въздуха на въздуходувката се управлява от спусък за промяна на скоростта. Повече натиск върху спусъка води до по-висока скорост на издухване, по-малък натиск върху спусъка води до по-ниска скорост на издухване. Регулирайте скоростта за да е подходяща за настоящата задача. Съответният индикатор за скорост на въздуха се показва на LCD екрана.
- Освободете спусъка за скорост на въздуха за да изключите въздуходувката. LCD екранът ще се изключи в рамките на определен период от време, след като спусъкът е освободен.

Режим турбо

Докато спусъкът за скоростта на въздуха е натиснат и задържан, натиснете бутона турбо, за да увеличите въздушния поток до максималната скорост (фиг. 11). Индикаторът турбо и иконата вентилатор ще светят на LCD екрана (фиг. 13).

БЕЛЕЖКА: Въздуходувката ще се върне към предишната скорост при освобождаване на бутона турбо.

Режим на заключване на скоростта

Заклучването на скоростта може да се използва за работа на въздуходувката, без непрекъснато натискане на спусъка за скорост на въздуха.

1. Натиснете спусъка за скорост на въздуха, докато достигнете желаната скорост (фиг. 11).
2. Натиснете бутона за заключване на скоростта. Иконата за заключване на скоростта ще светне на LCD екрана (фиг. 14).
3. След това освободете спусъка за скоростта на въздуха, въздуходувката ще продължи да работи с "желаната" скорост.

БЕЛЕЖКА: Натискането на бутона турбо, докато сте в режим на заключване на скоростта, може да заключи скоростта на въздуха до максималното ниво. Въздуходувката ще възстанови предишната скорост, когато бутонът турбо бъде освободен.

4. За да освободите заключването на скоростта, натиснете отново бутона за заключване на скоростта. Иконата за заключване на скоростта ще изчезне от LCD екрана и въздуходувката ще се изключи.

11-1	Бутон турбо	11-2	Бутон за заключване на скоростта
11-3	Спусък за скорост на въздуха	12-1	Индикатор за заряд
12-2	Индикатор на скоростта на въздуха	12-3	Икона за акумулаторната батерия
13-1	Икона на перка	13-2	Индикатор турбо
14-1	Икона за заключване на скоростта		

BG

КОМУНИКАЦИОННА ТЕХНОЛОГИЯ

За информация относно пълната ни гама от свързани продукти и услуги, включително инструкции за свързване, моля, сканирайте QR кода по-долу или посетете www.egopowerplus.eu/connect.



СЪВЕТИ ЗА ИЗПОЛЗВАНЕ НА ВЪЗДУХОДУВКАТА

- За да се предпазите от разхвърляне на остатъци, издухайте около външните граници на купчината с остатъци. Никога не духайте директно в центъра на купчината.
- За да намалите звуковото ниво, ограничете броя на частите от оборудването, които се използват по едно и също време.
- Използвайте гребла и метли за снемане на остатъци преди издухване. При прашни условия, леко навлажнете повърхността, ако е налична вода.
- Внимавайте за деца, домашни любимци, отворени прозорци или скоро измити коли и издухвайте остатъците по безопасен начин.
- След използване на въздуходувки или друго оборудване, почистете! Изхвърляйте остатъците по подходящ начин.

ПОДДРЪЖКА

⚠ ПРЕДУПРЕЖДЕНИЕ: Когато обслужвате, използвайте само идентични резервни части. Употребата на каквито и да е други части може да създаде опасност или да предизвика повреда на продукта. За да осигурите безопасността и надеждността, всички поправки трябва да се извършват от квалифициран сервизен техник.

⚠ ПРЕДУПРЕЖДЕНИЕ: За да избегнете нараняване, винаги сменяйте акумулаторната батерия от продукта, когато почиствате или извършвате поддръжка.

ОБЩА ПОДДРЪЖКА

Избягвайте употребата на разтворители, когато почиствате пластмасовите части. Повечето пластмасови части са уязвими на повреда от различни видове разтворители в търговската мрежа и може да се повредят от тяхната употреба. Използвайте чист плат, за премахване на мръсотия, прах, масло и т.н.

⚠ ПРЕДУПРЕЖДЕНИЕ: Никога не позволявайте спирачна течност, бензин, петролни продукти, проникващи масла и т.н. да влизат в контакт с пластмасовите части. Химикалите могат да повредят, отслабят или разрушат пластмасата, което може да доведе сериозно нараняване.

⚠ ПРЕДУПРЕЖДЕНИЕ: За да намалите риска от пожар, нараняване и повреда на продукта поради късо съединение, никога не потапяйте вашата машина, акумулаторна батерия или зарядно устройство в течност и не позволявайте течност да влезе в тях. Корозивни или проводими течности, като морска вода, определени индустриални химикали и белина или продукти, съдържащи белина и др., могат да причинят късо съединение.

СЪХРАНЕНИЕ

- Извадете акумулаторната(ите) батерия(и) от въздуходувката.
- Почистете всички чужди материали от въздушния отвор на въздуходувката.
- Подравнете копчето на въздуходувката за съхранение на тръбата с жлеба за окачване на тръбата и закачете тръбата на въздуходувката в корпуса на порта за батерия (фиг. J1 и J2).
- Съхранявайте на затворено пространство, което е недостъпно до деца. Пазете от корозивни препарати като градински химикали и сол за обезледяване.

J1-1	Копче на въздуходувката за съхранение на тръбата	J1-2	Жлеб за окачване на тръбата
------	--	------	-----------------------------

Опазване на околната среда



Не изхвърляйте електрическо оборудване, използвана батерия или зарядно устройство в домакинския отпадък! Отнесете продукта до упълномощена фирма за рециклиране и го предоставете за разделно събиране. Електрическите инструменти трябва да бъдат връщани в съоръжения за рециклиране съвместими с околната среда.

ОТСТРАНЯВАНЕ НА ПРОБЛЕМИ

ПРОБЛЕМ	ПРИЧИНА	РЕШЕНИЕ
Въздуходувката не работи.	<ul style="list-style-type: none"> ■ Акумулаторната батерия не е прикрепена към въздуходувката. 	<ul style="list-style-type: none"> ■ Закрепете акумулаторната батерия към въздуходувката.
	<ul style="list-style-type: none"> ■ Няма електрически контакт между въздуходувката и батерията. 	<ul style="list-style-type: none"> ■ Извадете акумулаторната батерия, проверете контактите и поставете наново акумулаторната батерия.
	<ul style="list-style-type: none"> ■ Акумулаторната батерия е изтощена. 	<ul style="list-style-type: none"> ■ Заредете акумулаторната батерия.
	<ul style="list-style-type: none"> ■ Акумулаторната батерия или въздуходувката са твърде горещи. 	<ul style="list-style-type: none"> ■ Охладете акумулаторната батерия и въздуходувката до спадане на температурата под 67°C.
	<ul style="list-style-type: none"> ■ Повреден спусък за скорост на въздуха. 	<ul style="list-style-type: none"> ■ Свържете се с обслужване на клиенти на EGO за ремонт.
	<ul style="list-style-type: none"> ■ Акумулаторната батерия или въздуходувката са твърде студени. 	<ul style="list-style-type: none"> ■ Извадете акумулаторната батерия, оставете акумулаторната батерия и въздуходувката да загреят на закрито. Препоръчва се пълното зареждане на акумулаторната батерия и стартиране на въздуходувката на ниска скорост, без да се активира режимът Turbo.
Режимът на заключване на скоростта не може да бъде включен или изключен.	<ul style="list-style-type: none"> ■ Повреден бутон за заключване на скоростта. 	<ul style="list-style-type: none"> ■ Свържете се с обслужване на клиенти на EGO за ремонт.
Скоростта на въздуха е значително намалена.	<ul style="list-style-type: none"> ■ Зарядът на батерията е нисък. 	<ul style="list-style-type: none"> ■ Заредете акумулаторната батерия.
	<ul style="list-style-type: none"> ■ Прекомерно износване на двигателя на въздуходувката. 	<ul style="list-style-type: none"> ■ Свържете се с EGO сервиз за ремонт.
	<ul style="list-style-type: none"> ■ Въздушният отвор е блокиран от остатъци. 	<ul style="list-style-type: none"> ■ Извадете акумулаторната батерия, след което почистете отломките.
LCD екранът не функционира правилно.	<ul style="list-style-type: none"> ■ LCD екранът или кабелната връзка са повредени. 	<ul style="list-style-type: none"> ■ Свържете се с EGO сервиз за ремонт.
1 светодиода на индикатора за гориво на LCD екрана мига.	<ul style="list-style-type: none"> ■ Зарядът на батерията е нисък. 	<ul style="list-style-type: none"> ■ Заредете акумулаторната батерия.

BG

ГАРАНЦИЯ

ГАРАНЦИОННА ПОЛИТИКА EGO

Моля, посетете уебсайта egopowerplus.eu за пълните срокове и условия по гаранционната политика на EGO.

PROČITAJTE UPUTE U CIJELOSTI!



PROČITAJTE PRIRUČNIK ZA RUKOVATELJE

⚠ UPOZORENJE: Radi sigurnosti i pouzdanosti, sve popravke treba obavljati kvalificirani servisni tehničar.

SIGURNOSNI SIMBOLI

Svrha simbola sigurnosti je skretanje pozornosti na moguće opasnosti. Simboli sigurnosti i njihova objašnjenja zahtijevaju vašu potpunu pozornost i razumijevanje. Simboli upozorenja ne isključuju opasnost sami po sebi. Upute i upozorenja koja pružaju nisu zamjena za propisne mjere za prevenciju nesreća.

⚠ UPOZORENJE: Prije upotrebe stroja pročitajte s razumijevanjem sve upute u ovom korisničkom priručniku, uključujući sve sigurnosne simbole kao što su „**OPASNOST**“, „**UPOZORENJE**“ i „**OPREZ**“. Zanemarivanje uputa navedenih u nastavku može rezultirati strujnim udarom, požarom i/ili teškim tjelesnim ozljedama.

ZNAČENJE SIMBOLA

⚠ SIMBOL UPOZORENJA U VEZI SIGURNOSTI: Naznačuje **OPASNOST**, **UPOZORENJE** ili **OPREZ** i može se upotrebljavati povezan s drugim simbolima ili piktogramima.

SIGURNOSNE NAPOMENE

Na ovoj stranici slikovno su prikazani i objašnjeni simboli sigurnosti koji se mogu pojaviti na ovom proizvodu. Prije sastavljanja i rukovanja s razumijevanjem pročitajte sve upute na stroju i pridržavajte ih se.



Upozorenje u vezi sigurnosti



Kada upotrebljavate proizvod, nosite zaštitu za sluh.



Sve promatrače držite na udaljenosti barem 15 m.



Ovaj je proizvod u skladu s važećim zakonodavstvom UK.



Istosmjerna struja



Zaštita od vodenih mlazova

V Napon

°C Celzij

N Njutt



Radi smanjenja opasnosti od ozljeda, prije upotrebe ovog proizvoda korisnik mora s razumijevanjem pročitati korisnički priručnik.



Kada rukujete ovim proizvodom, nosite zatvorene zaštitne naočale ili zaštitne naočale s bočnim štitnicima i štitnik za cijelo lice.



Ovaj proizvod je u skladu s važećim direktivama EU.



Otpadni električni proizvodi ne smiju se odlagati s otpadom iz kućanstva. Odnosite ih u ovlaštenu centar za recikliranje.



Simbol Bluetooth®



Zajamčena razina snage zvuka. Emisija buke u okruženju u skladu je sa smjericama Europske unije.


kg Kilogram

m³/h Kubnih metara na sat

m/s Metara u sekundi

HR

TEHNIČKI PODACI

Napon	56 V 	
Maksimalna količina zraka	1360 m ³ /h	
Maksimalna brzina zraka	85 m/s	
Maksimalna snaga puhanja	26 N	
Približno vrijeme rada	S baterijskim modulom od 6,0 Ah	24 min (Turbo)
		32 min (Visoka brzina)
		120 min (Niska brzina)
	S baterijskim modulom od 7,5 Ah	30 min (Turbo)
		40 min (Visoka brzina)
		150 min (Niska brzina)
	S baterijskim modulom od 10 Ah	40 min (Turbo)
		52 min (Visoka brzina)
		200 min (Niska brzina)
	S baterijskim modulom od 12 Ah	48 min (Turbo)
		63 min (Visoka brzina)
		240 min (Niska brzina)
Pojas radnih frekvencija za Bluetooth	2400 - 2438 MHz	
Maksimalna snaga prijenosa za Bluetooth	5 dBm	
Težina (bez baterijskog modula)	7,7 kg	
Preporučena radna temperatura	-15°C - 40°C	
Preporučena temperatura skladištenja	-20°C - 70°C	
Izmjerena razina zvučne snage L _{WA}	97 dB(A) K=1,1 dB(A)	
Razina zvučnog tlaka kod uha rukovatelja L _{PA}	82 dB(A) K=3 dB(A)	
Zajamčena razina zvučne snage L _{WA} (izmjereno u skladu s 2000/14/EZ)	98 dB(A)	
Vibracija a _h	0,35 m/s ² K=1,5 m/s ²	

- Deklarirane ukupne vrijednosti vibracija izmjerene su u skladu sa standardnom metodom ispitivanja i mogu se koristiti za usporedbu jednog alata s drugim;
- Deklarirane ukupne vrijednosti vibracija mogu se koristiti i u preliminarnoj procjeni izloženosti.

OBAVIJEST: Emisija vibracija tijekom aktualnog korištenja električnog alata može se razlikovati od deklarirane vrijednosti u kojoj se alat koristio; Radi zaštite rukovatelja korisnik treba nositi rukavice i štitičke za uši u aktualnim uvjetima korištenja.

OTPREMNICA (SLIKA A1)

OPIS

UPOZNAJTE SE S PUHALOM (Slika A1)

1. Podesivi uprtači za nošenje
2. Izbočina za spremanje cijevi puhalo
3. Ploča naprtnjače
4. Upravljačka ručka
5. Konusna mlaznica
6. Cijev puhalo
7. Cijev upravljačke ručke
8. Mjehovi
9. Ulaz za zrak
10. Pomoćna ručka
11. Električni kontakti
12. Zasun
13. Gumbi za oslobađanje baterije
14. Ručka
15. Gumb za fiksiranje brzine
16. LCD zaslon
17. Gumb Turbo
18. Okidač brzine zraka
19. Utor za vješanje cijevi
20. Ručice za brzo oslobađanje
21. Bluetooth indikator
22. Mjerač goriva
23. Ikona ventilatora
24. Indikator Turbo
25. Indikator brzine zraka
26. Ikona za fiksiranje brzine
27. Ikona baterije

SASTAVLJANJE

⚠ UPOZORENJE: Ako je bilo koji dio oštećen ili nedostaje, nemojte upotrebljavati proizvod dok se ne zamijene dijelovi. Upotreba proizvoda na kojemu nedostaju dijelovi ili su oštećeni, može dovesti do ozbiljne tjelesne ozljede.

⚠ UPOZORENJE: DNe pokušavajte obavljati preinake na ovom proizvodu ili raditi pribor koji nije preporučan za uporabu s ovim puhalom. Sve takve izmjene ili preinake predstavljaju nepropisnu uporabu i mogu rezultirati opasnim stanjima koja mogu dovesti do mogućih teških tjelesnih ozljeda.

⚠ UPOZORENJE: Da biste spriječili slučajno pokretanje koje može prouzročiti teške tjelesne ozljede, prilikom sastavljanja dijelova uklonite baterije iz alata.

MONTIRANJE CIJEVI PUHALA

Spajanje cijevi upravljače drške puhalu na mijeh

1. Umetnite gornji kraj cijevi upravljačke ručke u mjehove do kraja (slika B1).
2. Čvrsto zategnite vijak u steznom obruču pričvršćenom na mijeh (slika B2).

B1-1	Mjehovi	B1-2	Stezni prsten
B1-3	Gornji kraj	B1-4	Cijev upravljačke ručke
B2-1	Vijak		

Spajanje cijevi puhalu na cijev upravljačke ručke

1. Otpustite i uklonite ručicu za brzo oslobađanje i krilnu maticu sa sklopa stezaljke cijevi pričvršćenog na cijev puhalu (slika C1).
2. Poravnajte utor u cijevi puhalu s rebrom na cijevi upravljačke ručke, gurnite cijev puhalu preko cijevi upravljačke ručke koliko god može (slika C2).
3. Umetnite zatik ručice za brzo oslobađanje i zatvorite ručicu na stezaljku cijevi (slika C3).
4. Zategnite krilnu maticu kako biste učvrstili stezaljku cijevi (slika C4).

C1-1	Cijev puhalu	C1-2	Obujmica cijevi
C1-3	Ručica za brzo oslobađanje	C1-4	Krilna matica
C2-1	Cijev puhalu	C2-2	Cijev upravljačke ručke
C2-3	Žlijeb	C2-4	Izbočenje
C3-1	Zatik		

Spajanje konusne mlaznice na cijev puhalu

1. Poravnajte utor u mlaznici sa zaporom na cijevi. Gurnite mlaznicu preko cijevi tako da čvrsto sjedne na mjesto (slika D1).
2. **Ako želite ukloniti mlaznicu**, pritisnite i držite gumb za otpuštanje mlaznice kako biste deaktivirali zapor, zatim povucite mlaznicu ravno s cijevi puhalu (slika D2).

D1-1	Gumb za otpuštanje mlaznice	D1-2	Zasun
------	-----------------------------	------	-------

RAD

⚠ UPOZORENJE: Nemojte biti nepažljivi zato što ste upoznati s načinom rada proizvoda. Zapamtite da je samo jedan djelić sekunde nepažnje dovoljan za nastanak tjelesne ozljede.

⚠ UPOZORENJE: Nemojte upotrebljavati priključke ili pribor koje nije preporučio proizvođač ovog proizvoda. Upotreba nastavaka ili pribora koji nije preporučeni, može dovesti do ozbiljnih tjelesnih ozljeda.

⚠ UPOZORENJE: APRI sastavljanju dijelova, obavljanju podešavanja, čišćenju ili kada ne koristite proizvod, baterije izvadite iz proizvoda. Uklanjanjem baterija uklanjate mogućnost nehotičnog pokretanja uslijed kojeg mogu nastati teške tjelesne ozljede.

Prije svake upotrebe, pregledajte da na stroju nema oštećenih, nedostajućih ili olabavljenih dijelova kao što su vijci, matice i poklopci. Dobro pritegnite sve elemente za pričvršćenje i kapice i ne upotrebljavajte proizvod dok se svi dijelovi koji nedostaju ili oštećeni dijelovi, ne zamijene.

PRIMJENA

Proizvod možete koristiti za svrhe navedene u nastavku:

- Čišćenje lišća i raznog dvorišnog otpada s travnjaka i gredica za malčiranje.
- Čišćenje tvrdih površina kao što su prometnice za vozila i nogostupi.
- Uklanjanje lišća i iglica borova s terasa i prilaza za vozila.

OBAVIJEST: Alat se smije upotrebljavati samo za prethodno opisanu namjenu. Svaka druga uporaba smatrat će se nepropisnom uporabom.

POSTAVLJANJE I UKLANJANJE BATERIJSKOG MODULA

Upotrebljavajte samo s baterijskim modulima i punjačima tvrtke EGO navedenima na slika A2.

Više pojedinosti potražite u odgovarajućim priručnicima za baterijske module i punjače.

Baterijski modul potpuno napunite prije prve upotrebe.

OBAVIJEST: Za najbolji rad preporučuje se upotreba baterijskog modula EGO 56 V BA3360T (6,0 Ah) ili bilo kojeg drugog EGO 56 V baterijskog modula veće vrijednosti Ah.

Puhalo ima dva aktivna pretinca za baterije na lijevoj i desnoj strani kućišta pretinca za baterije.

NAPOMENA: Puhalo može raditi s jednom ili s dvije baterije. Korištenje dviju baterija daje vam dulje vrijeme rada i učinkovitu potrošnju energije kojom upravljiva tehnologija PEAK POWER™.

Kada se baterijski paketi umetnu u odgovarajuće priključke za baterije označene sa 1 ili 2 na ploči naprtnjače, a puhalo je uključeno, odgovarajuća ikona baterije zasvijetlit će na LCD zaslonu (slika E1).

Pričvršćivanje (slika E2)

Poravnajte izbočenja baterije s montažnim utorima i pritisnite baterijski modul prema dolje tako da se začuje zvuk „klik“. Pričvrstite drugu bateriju.

Uklanjanje

Utisnite gumb za oslobađanje baterije i izvucite baterijski modul.

⚠ UPOZORENJE: Prije pritiskanja gumba za otpuštanje baterije, provjerite jesu li vaša stopala, djeca i domaća životinja na sigurnoj udaljenosti. Ako baterija ispadne, može doći do teških ozljeda. **NEMOJTE** vaditi bateriju kada ste u povišenom položaju.

E1-1	Broj priključaka za bateriju	E1-2	LCD zaslon
E1-3	Ikona baterije	E2-1	Izbočina na bateriji
E2-2	Utor za ugradnju	E2-3	Gumb za oslobađanje baterije

POSTAVLJANJE PUHALA S NAPRTNJAČOM

⚠ UPOZORENJE: Obucite se propisno kako biste smanjili rizik od ozljeda tijekom rukovanja strojem. Nemojte nositi široku odjeću i nakit. Nosite zaštitu za oči i uši/sluh. Nosite jake duge hlače, čizme i rukavice. Nemojte nositi kratke hlače ili sandale ili biti bos.

Prije upotrebe puhalo s naprtnjačom provjerite ima li rukovatelj zaštitu za oči i propisanu odjeću te može li održavati siguran položaj tijela i ravnotežu.

Podešavanje nosivog pojasa

1. Provucite ruke kroz remene naprtnjače za držanje puhalo na leđima.
2. Privremeno prilagodite obje naramenice u udoban položaj (slika F1), pazite da je lakat u udobnom položaju.
3. Pričvrstite kopču na prsima i po potrebi podesite duljinu prsnog remena (slika F2).

4. Pričvrstite kopču za struk i podesite duljinu remena struka tako da naprtnjača bude čvrsto oslonjena na bokovima (slike F3 i F4).

NAPOMENA: Naprtnjača se ne smije postaviti previsoko na leđima, ona mora biti bliže kukovima nego ramenima.

⚠ UPOZORENJE: Kada dođe do hitnog stanja, odmah otpustite kopče za prsa i struk kako biste skinuli remen naprtnjače sa svake strane. To je način za brzo oslobađanje.

5. Ponovno prilagodite naramenice radi sigurnosti i udobnosti. Pobrinite se da naprtnjača čvrsto leži na leđima – težinu mora nositi pojas na struku i ne smije se previše pomicati dok se krećete (slika F5).
6. Umetnite višak remena oko struka u elastični dio na obje strane (slika F6).
7. Ako naprtnjaču želite skinuti s leđa, pritisnite kopče na struku i prsima kako biste ih oslobodili i spustite puhalo (slika F7).

F1-1	Naramenica	F2-1	Kopča na prsima
F3-1	Kopča za struk	F6-1	Elastična
F6-2	Dodatna duljina remena		

Podešavanje upravljačke drške

1. Otpustite ručicu za brzo oslobađanje kako biste pomaknuli upravljačku ručku naprijed ili natrag prema potrebi (slika G1 i G2), a zatim aktivirajte ručicu za brzo oslobađanje kako biste pričvrstili upravljačku ručku na mjesto.
2. Ručku možete okretati prema potrebi radi udobnosti (slika G3).

G1-1	Upravljačka ručka	G1-2	Ručica za brzo oslobađanje
------	-------------------	------	----------------------------

Podešavanje duljine cijevi upravljačke ručke (slika H1, H2)

1. Otpustite ručicu za brzo otpuštanje.
2. Pomaknite cijev puhalo u udoban radni položaj unutar zone podešavanja (slika H1).
3. Aktivirajte ručicu za brzo oslobađanje kako biste učvrstili cijev puhalo na mjesto (slika H2).

H1-1	Cijev puhalo	H1-2	Ručica za brzo oslobađanje
H2-1	Zona podešavanja		

POKRETANJE/ZAUSTAVLJANJE PUHALA

NAPOMENA: Puhalo se ne može pravilno pokrenuti ako je temperatura baterijskog modula -15 °C ili manja. U tom slučaju uklonite baterijski modul iz puhalo, ostavite baterijski modul i puhalo da se zagriju u zatvorenom prostoru 10 minuta ili duže. Vratite baterijski modul i pokušajte ponovno.

Okidač brzine zraka (slika I1 i I2)

- Utisnite okidač za brzinu zraka kako biste uključili puhalo, tada će se na LCD zaslonu prikazati mjerac goriva, ikona baterije i indikator brzine zraka.
NAPOMENA: 1 LED mjerača goriva na LCD zaslonu trepće kada je napunjenost baterije niska.
- Brzinu zraka puhalo određuje regulator brzine. Što jače pritisnete regulator, veća će biti brzina puhanja, ako ga pritisnete slabije, manja će biti i brzina puhanja. Prilagodite brzinu zadatku. Odgovarajući indikator brzine zraka prikazat će se na LCD zaslonu.
- Otpustite okidač za brzinu zraka ako želite isključiti puhalo. LCD zaslon će se isključiti unutar određenog vremenskog razdoblja nakon otpuštanja okidača.

Turbo način rada

Dok se okidač brzine zraka drži utisnutim, pritisnite turbo tipku da biste povećali protok zraka do maksimalne brzine (slika I1). Indikator Turbo i ikona ventilatora zasvijetlit će na LCD zaslonu (slika I3).

NAPOMENA: Puhalo se vraća na prethodnu brzinu kada se otpusti gumb Turbo.

Način rada za fiksiranje brzine

Zaključavanje brzine može se koristiti za rad puhalo bez kontinuiranog pritiskanja okidača brzine zraka.

1. Utisnite okidač za brzinu zraka dok ne postignete željenu brzinu (slika I1).
2. Pritisnite gumb za fiksiranje brzine. Ikona zaključavanja brzine zasvijetlit će na LCD zaslonu (slika I4).
3. Zatim otpustite okidač za brzinu zraka, puhalo će nastaviti raditi na "željenoj" brzini.
NAPOMENA: Pritiskom na turbo gumb u načinu rada s fiksnom brzinom možete fiksirati brzinu zraka na maksimalnoj razini. Puhalo će nastaviti s radom na prethodnoj brzini kada još jednom pritisnete turbo tipku.
4. **Ako želite otpustiti fiksiranje brzine**, ponovno pritisnite gumb za fiksiranje brzine. Ikona za fiksiranje brzine nestat će s LCD zaslona i puhalo će se isključiti.

I1-1	Gumb Turbo	I1-2	Gumb za fiksiranje brzine
I1-3	Okidač brzine zraka	I2-1	Mjerač goriva
I2-2	Indikator brzine zraka	I2-3	Ikona baterije
I3-1	Ikona ventilatora	I3-2	Indikator Turbo
I4-1	Ikona za fiksiranje brzine		

TEHNOLOGIJA KOMUNIKACIJE

Za informacije o našoj cjelokupnoj ponudi povezanih proizvoda i usluga, uključujući upute za povezivanje, skenirajte QR kod u nastavku ili posjetite www.egopowerplus.eu/connect.



SAVJETI ZA KORIŠTENJE PUHALA

- Kako ne bi došlo do rasipanja tvari, pušite oko vanjskih rubova hrpe ostataka. Nemojte puhati izravno u središte hrpe.
- Pazite na količinu buke – istovremeno koristite ograničen broj alata.
- Prije ispuhivanja koristite grablje i metle kako biste otpustili naslage i nečistoće. U prašnjavim uvjetima, lagano navlažite površinu ako vam je dostupna voda.
- Pazite na djecu, domaće životinje, otvorene prozore i svježe oprane automobile – ispušite nečistoće na siguran način.
- Nakon korištenja puhalo ili druge opreme, očistite ih! Zbrinite nečistoće na pravilan način.

ODRŽAVANJE

⚠ UPOZORENJE: Pri servisiranju koristite samo identične zamjenske dijelove. Korištenje drugih dijelova može izazvati opasnost ili prouzročiti oštećenje proizvoda. Radi sigurnosti i pouzdanosti, sve popravke treba obavljati kvalificirani servisni tehničar.

⚠ UPOZORENJE: Radi izbjegavanja teških tjelesnih ozljeda, pri čišćenju ili obavljanju podešavanja komplet baterija uvijek izvadite iz proizvoda.

OPĆE ODRŽAVANJE

Pri čišćenju plastičnih dijelova, izbjegavajte upotrebu otapala. Većina plastičnih materijala podložna je oštećenju od različitih vrsta komercijalnih otapala i mogu se oštetiti u slučaju njihove upotrebe. Za uklanjanje nečistoće, prašine, ulja, masti i sl. koristite čiste krpe.

⚠ UPOZORENJE: Nemojte dopustiti da kočione tekućine, benzin, proizvodi na bazi nafte, prodiruća ulja i sl., dođu u doticaj s plastičnim dijelovima. Kemijska sredstva mogu oštetiti, oslabiti ili uništiti plastiku što može rezultirati teškim tjelesnim ozljedama.

⚠ UPOZORENJE: Kako biste smanjili rizik od požara, tjelesnih ozljeda i oštećenja proizvoda uslijed kratkog spoja, ne uranjajte stroj, baterijski modul ili punjač u tekućinu niti dopustite da tekućina teče unutar njih. Korozivne ili vodljive tekućine, poput morske vode, određene industrijske kemikalije i izbjeljivač ili proizvodi koji sadrže izbjeljivač itd., mogu uzrokovati kratki spoj.

ČUVANJE

- Uklonite baterijski modul iz puhalo.
- Očistite sav strani materijal s ulaza za zrak na puhalo.
- Poravnajte izbočinu za skladištenje cijevi puhalo s utorom za vješanje cijevi i objesite cijev puhalo na kućište ulaza za baterije (slika J1 i J2).
- Pohranite ga u zatvorenom prostoru koji nije dostupan djeci. Držite dalje od korozivnih sredstava kao što su vrtne kemikalije i soli za odleđavanje.

J1-1	Izbočina za skladištenje cijevi puhalo	J1-2	Utor za vješanje cijevi
------	--	------	-------------------------

Zaštita okoliša



Električnu opremu, iskorištenu bateriju i punjač ne odlažite u otpad iz kućanstva! Ovaj proizvod odnesite u ovlaštenu centar za reciklažu i time omogućite odvojeno sakupljanje. Električne alate potrebno je vratiti u ekološki prihvatljiv pogon za reciklažu.

RJEŠAVANJE PROBLEMA

PROBLEM	UZROK	RJEŠENJE
Puhalo ne radi.	<ul style="list-style-type: none"> ■ Baterijski modul nije postavljen na puhalo. 	<ul style="list-style-type: none"> ■ Postavite baterijski modul na puhalo.
	<ul style="list-style-type: none"> ■ Nema električnog kontakta između puhala i baterije. 	<ul style="list-style-type: none"> ■ Izvadite baterijski modul, provjerite kontakte i ponovno stavite baterijski modul.
	<ul style="list-style-type: none"> ■ Baterijski modul je ispražnjen. 	<ul style="list-style-type: none"> ■ Napunite baterijski modul.
	<ul style="list-style-type: none"> ■ Baterijski modul i/ili puhalo su prevrući. 	<ul style="list-style-type: none"> ■ Hladite baterijski modul i puhalo dok se njihova temperatura ne spusti ispod 67 °C.
	<ul style="list-style-type: none"> ■ Oštećen okidač brzine zraka. 	<ul style="list-style-type: none"> ■ Za popravak se obratite centru korisničke službe proizvođača EGO.
	<ul style="list-style-type: none"> ■ Baterijski modul i/ili puhalo su prehladni. 	<ul style="list-style-type: none"> ■ Uklonite baterijski modul, ostavite baterijski modul i puhalo da se zagriju u zatvorenom prostoru. Preporučuje se da potpuno napunite baterijski modul i pokrenete puhalo na maloj brzini bez aktiviranja Turbo načina rada.
Način rada s fiksiranjem brzine ne može se uključiti ili isključiti.	<ul style="list-style-type: none"> ■ Oštećen gumb za fiksiranje brzine. 	<ul style="list-style-type: none"> ■ Za popravak se obratite centru korisničke službe proizvođača EGO.
Brzina zraka će se osjetno smanjiti.	<ul style="list-style-type: none"> ■ Baterija je slabo napunjena. 	<ul style="list-style-type: none"> ■ Napunite baterijski modul.
	<ul style="list-style-type: none"> ■ Prekomjerna istrošenost ventilatora motora. 	<ul style="list-style-type: none"> ■ Za popravak se obratite servisu tvrtke EGO.
	<ul style="list-style-type: none"> ■ Ulaz za zrak zapriječen je nečistoćama. 	<ul style="list-style-type: none"> ■ Uklonite baterijski modul, zatim očistite nečistoće.
LCD zaslon ne radi ispravno.	<ul style="list-style-type: none"> ■ LCD zaslon ili priključak za vodič su oštećeni. 	<ul style="list-style-type: none"> ■ Za popravak se obratite servisu tvrtke EGO.
1 LED mjerača goriva na LCD zaslonu trepće.	<ul style="list-style-type: none"> ■ Baterija je slabo napunjena. 	<ul style="list-style-type: none"> ■ Napunite baterijski modul.

JAMSTVO

PRAVILA U VEZI JAMSTVA TVRTKE EGO

Cjelokupne uvjete i odredbe pravila jamstva tvrtke EGO potražite na web-mjestu egopowerplus.eu.

სრულად გაეცანით ინსტრუქციას!



გაეცანით მომხმარებლის ინსტრუქციას

⚠ გაფრთხილება: მოწყობილობის უსაფრთხოდ და გამართულად მუშაობისთვის საჭიროა მისი ყველა შეკეთება და ნაწილის შეცვლა მოხდეს კვალიფიციური სერვისის ტექნიკოსის მიერ.

უსაფრთხოების წესის სიმბოლოები

უსაფრთხოების სიმბოლოების მიზანია ყურადღების გამახვილება შესაძლო საფრთხეებზე. ყურადღებით გაეცანით უსაფრთხოების სიმბოლოებს და მათ შესაბამის განმარტებებს. საშიშროების აღმნიშვნელი სიმბოლოები თავისთავად არ ანეიტრალებს რაიმე საფრთხის არსებობის რისკს. მათ მიერ მოწოდებული მითითებები და გაფრთხილებები არ არიან შემთხვევის თავიდან აცილების სწორი პროცედურის შემცველები.

⚠ გაფრთხილება: მოწყობილობის გამოყენებამდე წაიკითხეთ და გაეცანით უსაფრთხოების ყველა წესს, მათ შორის, ყველა გამაფრთხილებელ ნიშანს, როგორცაა „საშიშროება“, „გაფრთხილება“ და „საფრთხილის ზომები“, რომელიც მოცემულია ოპერატორის ამ სახელმძღვანელოში. ქვემოთ ჩამოთვლილი მითითებების შეუსრულებლობამ შეიძლება გამოიწვიოს დენის დარტყმა, ხანძარი და/ან სხეულის სერიოზული დაზიანება.

სიმბოლოების მნიშვნელობა

⚠ უსაფრთხოების გამაფრთხილებელი სიმბოლო: აღნიშნავს - „საშიშროება“, „გაფრთხილება“ ან „ყურადღება“, შესაძლოა გამოყენებულ იქნას სხვა სიმბოლოებთან ან პიქტოგრამებთან ერთად.

უსაფრთხოების ინსტრუქციები

ამ გვერდზე გამოსახულია და აღწერილია უსაფრთხოების სიმბოლოები, რომლებიც შეიძლება გამოჩნდეს მოცემულ პროდუქტზე. წაიკითხეთ, გაიგეთ და დაიცავით აპარატის ყველა ინსტრუქცია აწყობისა და ექსპლუატაციის დაწყებამდე.



გამაფრთხილებელი ნიშანი



დაზიანების რისკის შესამცირებლად მომხმარებელმა უნდა წაიკითხოს ხელსაწყო მუშაობის ინსტრუქცია მის გამოყენებამდე.



ყოველთვის გაიკეთეთ ყურების დამცავი ხელსაწყოთი სარგებლობისას.



ყოველთვის მორგეთ უსაფრთხოების თვალსაფარი ან გვერდითა დამცავი ეკრანების მქონე უსაფრთხოების სათვალე და მთლიანი სახის დამცავი ამ ხელსაწყოთი სარგებლობისას.



მოაცილეთ გარეშე პირები ხელსაწყო მინიმუმ 15 მეტრის დაშორებით.



ხელსაწყო შეესაბამება ევროკავშირის მიერ წამოყენებულ რეგულაციებს.

KA

UK
CA

აღნიშნული ხელსაწყო აკმაყოფილებს გაერთიანებული სამეფოს კანონმდებლობით დადგენილ მოთხოვნებს.



ელექტრული ხელსაწყოების უტილიზაცია არ უნდა მოხდეს საყოფაცხოვრებო ნარჩენებთან ერთად. წაიღეთ შესაბამის გადამამუშავებელ საწარმოში.



მუდმივი დენი



ბლუთუზის® სიმბოლო

IPX5 წყლის ჭავლისგან დაცვა

V ძაბვა
 °C ცელსიუსი
 N ნიუტონი



გარანტირებული ხმის სიმძლავრის დონე. გარემოში ხმაურის გავრცელების დონე ევროკავშირის რეგულაციების შესატყვისია.

kg კილოგრამი
 m³/h კუბური მეტრი საათში
 m/s მეტრი წამში

სპეციფიკაციები

ძაბვა	56 ვოლტი	
მაქსიმალური ჰაერის მოცულობა	1360 მ³/სთ	
მაქსიმალური ჭავლის სიჩქარე	85 მ/წმ	
დაბერვის მაქსიმალური ძალა	26 ნ	
სავარაუდო გაშვების დრო	ორი 6,0 ამპ/სთ აკუმულატორის ბლოკით	24 წთ. (Turbo) 32 წთ. (მაღალი სიჩქარე) 120 წთ. (დაბალი სიჩქარე)
	ორი 7,5 ამპ/სთ აკუმულატორის ბლოკით	30 წთ. (Turbo) 40 წთ. (მაღალი სიჩქარე) 150 წთ. (დაბალი სიჩქარე)
	ორი 10 ამპ/სთ აკუმულატორის ბლოკით	40 წთ. (Turbo) 52 წთ. (მაღალი სიჩქარე) 200 წთ. (დაბალი სიჩქარე)
	ორი 12 ამპ/სთ აკუმულატორის ბლოკით	48 წთ. (Turbo) 63 წთ. (მაღალი სიჩქარე) 240 წთ. (დაბალი სიჩქარე)
	Bluetooth-ის საშუალო სიხშირის ზოლი	2400 - 2438 მჰც
	Bluetooth-ის მაქსიმალური ტრანსმისიის ძალა	5 დბ/მვ

წონა (აკუმულატორის ბლოკის გარეშე)	7,7 კგ
რეკომენდებული საექსპლუატაციო ტემპერატურა	-15°C - 40°C
რეკომენდებული დასაწყობების ტემპერატურა	-20°C - 70°C
გაზომილი ხმის სიმძლავრის დონე L _{WA}	97 დბ(A) K=1,1 დბ(A)
ბგერის წნევის დონე მომხმარებლის ყურზე L _{PA}	82 დბ(A) K=3 დბ(A)
გარანტირებული ხმის სიმძლავრის დონე L _{WA} (გაზომილი 2000/14/EC რეგულაციის მიხედვით)	98 dB(A)
ვიბრაცია a _h	0,35 მ/წმ² K=1,5 მ/წმ²

- მითითებული ვიბრაციის სრული სიდიდე გაზომილია სტანდარტული ტესტირების მეთოდის გამოყენებით და შესაძლოა გამოყენებულ იქნას ერთი მოწყობილობის მეორესთან შედარებისას;
- მითითებული ვიბრაციის სრული სიდიდე ასევე შესაძლოა გამოყენებულ იქნას ზემოქმედების წინასწარი შეფასებისას.

გაფრთხილება: ელექტრო ხელსაწყოს ფაქტობრივი გამოყენებისას ვიბრაციის ემისია შესაძლოა განსხვავდებოდეს მითითებული სიდიდისგან; მომხმარებელმა მოწყობილობით სარგებლობისას საჭიროა გამოიყენოს ხელთათმანები და სმენის დამცავი საშუალებები.



შეფუთვის ფურცელი (ნახ. A1)

აღწერილობა

შეისწავლეთ თქვენი საბერველა (ნახ. A1)

1. რეგულირებადი სამაგრი ღვედი
2. საბერველას მილის საცავის ჩამრთველი
3. ზურგანთის ფირფიტა
4. საკონტროლო სახელური
5. კონუსური საქმენი
6. საბერველას მილი
7. საკონტროლო სახელურის მილი
8. გოფირებული მილი
9. ჰაერის ჰაველის შესავალი
10. დამხმარე სახელური
11. ელექტრო კონტაქტები
12. ჩამკეტი
13. აკუმულატორის გამშვები დილაკი
14. სახელური
15. სიჩქარის ჩამკეტი დილაკი
16. LCD ეკრანი
17. ტურბოს დილაკი
18. ჰაელის სიჩქარის ტრიგერი
19. მილის დასაკიდი სიღრუე
20. სწრაფი გამოთავისუფლების ბერკეტები
21. Bluetooth-ის ინდიკატორი
22. საწვავის დონის მაჩვენებელი
23. გამაგრილებლის პიქტოგრამა
24. ტურბოს ინდიკატორი
25. ჰაერის სიჩქარის მაჩვენებელი
26. სიჩქარის ჩამკეტი ხატულა
27. აკუმულატორის პიქტოგრამა

ნაკრები

▲ გაფრთხილება: თუ რომელიმე ნაწილი დაზიანებულია ან დაკარგულია, არ ისარგებლოთ მოწყობილობით, სანამ ყველა ნაწილი არ შეიცვლება. დაზიანებული ან დაკარგული ნაწილების მქონე მოწყობილობით სარგებლობას შესაძლოა მოჰყვეს სერიოზული ზიანი.

▲ გაფრთხილება: არ სცადოთ ხელსაწყოს გადაკეთება ან ისეთი აქსესუარების გამოყენება, რომლებიც არაა რეკომენდებული ამ საბერველასთვის. ნებისმიერი მსგავსი

ცვლილება ან მოდიფიკაცია არის მოწყობილობის არასათანადო გამოყენება და შესაძლოა წარმოქმნას სახიფათო მდგომარეობა, რომელმაც შესაძლოა გამოიწვიოს სერიოზული პირადი ზიანი.

▲ გაფრთხილება: უცაბედი ჩართვის გამოსარიცხად, რომელმაც შესაძლოა გამოიწვიოს სერიოზული პერსონალური ზიანი, ყოველთვის მოხსენით აკუმულატორი ხელსაწყოს, როდესაც ხდება მისი აწყობა.

საბერველას მილების აწყობა

საკონტროლო-სახელურიანი მილის დაკავშირება გოფირებულ მილთან

1. ჩასვით საკონტროლო სახელურის მილის ზედა ბოლო გოფირებულ მილში რამდენადაც ის იძლევა ამის შესაძლებლობას (ნახ. B1).
2. მყარად ჩახრახნეთ ხრახნი დამჭერ საყელოში, რომელიც გოფირებულ მილზეა დამაგრებული (ნახ. B2).

B1-1	გოფირებული მილი	B1-2	დამჭერი საყელო
B1-3	ზედა ბოლო	B1-4	საკონტროლო სახელურის მილი
B2-1	ხრახნი		

საბერველას მილის დაკავშირება საკონტროლო-სახელურიან მილთან

1. მოუშვით და მოხსენით სწრაფი გამოთავისუფლების ბერკეტი და ქანჩყურა საბერველას მილზე დამონტაჟებული მილის მომჭერიდან (ნახ. C1).
2. გაასწორეთ სიღრუე საბერველას მილი საკონტროლო-სახელურის მილით, გადაასრიალეთ საბერველას მილი საკონტროლო სახელურის მილზე რამდენადაც ეს შესაძლებელი იქნება (ნახ. C2).
3. მოათავსეთ სწრაფი გამოთავისუფლების ბერკეტის დერო და ჩაკეტეთ ბერკეტი მილის დამჭერზე (ნახ. C3).
4. მოუჭიროთ ქანჩყურა, რათა ჩაამგართო მილის დამჭერი (ნახ. C4).

C1-1	საბერველას მილი	C1-2	მილის დამჭერი
------	-----------------	------	---------------

KA

C1-3	სწრაფი გამოთავის-სუფლების ბერკეტი	C1-4	ქანჩყურა
C2-1	საბერველას მილი	C2-2	საკონტროლო სახელურის მილი
C2-3	სიღრუე	C2-4	სამაგრი წიბო
C3-1	ღერო		

კონუსური საქშენის დაკავშირება საბერველას მილთან

1. მილზე გაასწორეთ საღრუე საქშენში ჩამკეტით. დააჭირეთ საქშენს მილზე, სანამ ის უსაფრთხოდ არ ჩაიკეტება ადგილზე (ნახ. D1).
2. საქშენის მოსახსნელად, დააჭირეთ და დააყოვნეთ თითი საქშენის მოსახსნელ დილაკზე, რათა გახსნათ ჩამკეტი და შემდეგ გამოქაჩეთ საქშენი საბერველას მილიდან (ნახ. D2).

D1-1	საქშენის მომხსნელი დილაკი	D1-2	ჩამკეტი
------	---------------------------	------	---------

ექსპლუატაცია

▲ გაფრთხილება: შეეცადეთ მსგავსი პროდუქტის გამოყენების გამოციდლებამ არ გამოიწვიოს თქვენი უფულისყურობა. დაიმახსოვრეთ, რომ უფულისყურობამ წამის მგათედმიც კი შესაძლოა მოგიტანოთ სერიოზული ზიანი.

▲ გაფრთხილება: არ გამოიყენოთ სხვა ნებისმიერი ნაწილი, რომელიც არაა რეკომენდებული ამ მოწყობილობის მწარმოებლის მიერ. არარეკომენდებული მისამარგებელი ხელსაწყო ან აქსესუარების გამოყენებამ შესაძლოა მოგაყენოთ სერიოზული ზიანი.

▲ გაფრთხილება: ყოველთვის მოხსენით აკუმულატორი ხელსაწყოს, როდესაც ხდება მისი აწყობა, რეგულირება, წმენდა ან როდესაც არ ხდება ხელსაწყოს გამოყენება. აკუმულატორის მოხსნა გამორიცხავს მოწყობილობის უცაბედ ჩართვას, რამაც შესაძლოა მოგაყენოთ სერიოზული პირადი დაზიანება.

ყოველი გამოყენების წინ შეამოწმეთ მთლიანი ხელსაწყო შესაძლო დაზიანებულ, დაკარგულ ან მოშვებულ ნაწილებზე, როგორცაა ხრახნები, ქანჩები, ჭანჭიკები, ხუფები და ა.შ. მაგრად მოუჭირეთ ყველა სამაგრი და ხუფი და არ ამუშაოთ მოწყობილობა, სანამ არ მოხდება ყველა დაკარგული ან დაზიანებული ნაწილის გამოცვლა.

გამოყენება

თქვენ შეგიძლიათ გამოიყენოთ მოწყობილობა ქვემოთ ჩამოთვლილი მიზნებისთვის:

- ფოთლებისა და ეზოს სხვადასხვა ნამსხვრევების გაწმენდა გაზონებიდან და მულჩის არხებიდან.
- მყარი ზედაპირების გასუფთავება, როგორცაა შენობასთან მისასვლელი გზა ან ქვეითა ბილიკი.
- შენობასთან მისასვლელი გზისა და ტერასის ფოთლებისგან და წიწვებისგან გასუფთავება.

გაფრთხილება: ხელსაწყოს გამოყენება შესაძლებელია მხოლოდ დანიშნულებისამებრ. სხვა ნებისმიერი სახით გამოყენება ჩაითვლება, როგორც არასწორი გამოყენების შემთხვევა.

აკუმულატორის ბლოკის ჩამაგრება/მოხსნა

გამოიყენეთ მხოლოდ ნახ. A2-ში ჩამოთვლილი EGO-ს აკუმულატორის ბლოკები და დამტენები.

დეტალური მითითებებისთვის იხილეთ აკუმულატორისა და დამტენის სახელმძღვანელოები.

სრულად დატენით პირველად გამოყენებამდე.

გაფრთხილება: გაუმჯობესებული მუშაობისთვის ჩვენ რეკომენდაციას ვუწვევთ EGO 56 ვოლტიან BA3360T (6,0 Ah) აკუმულატორის ბლოკს ან სხვა EGO 56 ვოლტიან უფრო მაღალი ამპერაჟის მქონე აკუმულატორს.

საბერველას აქვს აკუმულატორის ორი აქტიური პორტი აკუმულატორის პორტის ბუდის მარჯვენა და მარცხენა მხარეს.

შენიშვნა: საბერველას შეუძლია იმუშაოს ერთი ან ორი აკუმულატორით. ორი აკუმულატორის გამოყენება განღვეთ დროს უფრო ხანგრძლივი გამოყენებისთვის, რომელსაც უზრუნველყოფს PEAK POWER™ ტექნოლოგია.

თუ აკუმულატორის ბლოკები მოთავსებულია შესაბამის პორტებში, რომლებიც ზურგანითი ფირფიტაზე მონიშნულია 1 ან 2 ციფრებით,

KA



და საბერველა ჩართულია, შესაბამისი აკუმულატორის ხატულა გაანათებს LCD ეკრანზე (ნახ. E1).

მიმაგრება (ნახ. E2)

გაუსწორეთ აკუმულატორის სამაგრები ზუდის ნასვრეტებს და დააწექით აკუმულატორის ბლოკს, სანამ არ გაიგებთ „წკაპუნის“ ხმას. ჩასვით სხვა აკუმულატორი.

მოხსნა

დააჭირეთ აკუმულატორის გამშვებ ღილაკს და ამოიღეთ აკუმულატორის ბლოკი.

⚠ გაფრთხილება: ყოველთვის შეამოწმეთ თქვენი ფეხების, ზავშვების ან შინაური ცხოველების მდებარეობა აკუმულატორის გამშვები ღილაკის დაქერისას. აკუმულატორის დავარდნამ შესაძლოა გამოიწვიოს სერიოზული ფიზიკური ზიანი. არასდროს მოხსნათ აკუმულატორი სიმაღლეზე.

E1-1	აკუმულატორის პორტების ნომერი	E1-2	LCD ეკრანი
E1-3	აკუმულატორის პიქტოგრამა	E2-1	აკუმულატორის სამაგრი
E2-2	სამაგრი ღიობი	E2-3	აკუმულატორის მოხსნის ღილაკი

საბერველა-ზურგანთის პოზიციონირება

⚠ გაფრთხილება: ჩაიცვით შესაბამისად, რათა შეამციროთ დაზიანების რისკი მანქანით სარგებლობის დროს. არ ჩაიცვათ განიერი, ფრიალა ტანსაცმელი და არ გაიკეთოთ ძვირფასეულობა. მოირგეთ თვალის და ყურის/სმენის დამცავი საშუალებები. ჩაიცვით სამუშაო გრძელი შარვალი, ჩექმა და ხელთათმანები. დაუშვებელია მოკლე შორტის ან სანდლების ჩაცმა ან ფეხშიშველა სიარული.

ზურგზე მოსაკიდებელ საბერველას გამოყენებამდე ოპერატორმა უნდა გაიკეთოს თვალის დამცავი და ჩაიცვას სათანადო ტანსაცმელი და ფეხსაცმელი უნდა იყოს გათანასწორებული.

KA

სამაგრი ღვედის რეგულირებისთვის

1. გაუყარეთ ხელები ზურგანთის სამკლავურებს, რათა მორგოთ საბერველა თქვენს ზურგზე.
2. დროებით დაარეგულირეთ ორივე მხრის ღვედი კომფორტულ პოზიციაში (ნახ. F1), დარწმუნდით, რომ თქვენი იდაყვი კომფორტულ მდგომარეობაშია.
3. ჩაკეტეთ მკერდის შესაკრავი და დაარეგულირეთ მკერდის ღვედის სიგრძე საჭიროებისამებრ (ნახ. F2).
4. შეკარით წელის შესაკრავი და დაარეგულირეთ წელის ღვედის სიგრძე ისე, რომ ზურგჩანთა უსაფრთხოდ დამაგრდეს თქვენს ბარძაყებზე (ნახ. F3 და F4).

შენიშვნა: ზურგჩანთა არ უნდა იმყოფებოდეს ძალიან მაღლა თქვენს ზურგზე; იგი ბარძაყებთან უფრო ახლოს უნდა მდებარეობდეს, ვიდრე თქვენს მხრებთან.

⚠ გაფრთხილება: საგანგებო შემთხვევის დროს დაუყოვნებლივ მოუშვით გულმკერდის და წელის ბალთები, რათა მოიხსნათ ზურგჩანთის ღვედი თითოეულ მხარეს. ეს არის სწრაფი მოხსნის მეთოდი.

5. ხელახლა დაარეგულირეთ მხრის ღვედები სიმტკიცისა და კომფორტის მისაღწევად. დარწმუნდით, რომ ზურგჩანთა მყარად არის ზურგზე მორგებული, ძირითადი წონა ეყრდნობა წელის ღვედს და ის არ აკეთებს ზედმეტ მოძრაობებს როცა მოძრაობთ (ნახ. F5).
6. წელის ღვედის დამატებითი სიგრძე ჩასვით წელის გარშემო ორივე მხარეს არსებულ ელასტიურ სამაგრში (ნახ. F6).
7. ზურგჩანთის ზურგიდან მოსახსნელად დააწექით წელის და მკერდის ღვედების ბალთებს გასახსნელად და ჩამოშვით საბერველა (ნახ. F7).

F1-1	მხარზე ჩამოსაკიდი ღვედი	F2-1	გულმკერდის ბალთა
F3-1	წელის ბალთა	F6-1	ელასტიური
F6-2	ღვედის დამატებითი სიგრძე		

საკონტროლო სახელურის რეგულირება

1. აუშვით სწრაფი გამოთავისუფლების ბერკეტი, რათა გადაადგილოთ საკონტროლო სახელური წინ ან უკან, როგორც საჭიროა (ნახ. G1 და G2) და ჩართეთ შემდეგ სწრაფი გამოშვების ბერკეტი, რათა უზრუნველყოთ სახელურის ადგილზე დამაგრება.
2. კომფორტულად სარგებლობისთვის ასევე შეგიძლიათ დაატაროთ სახელური საჭიროებისამებრ (ნახ. G3).

G1-1	საკონტროლო სახელური	G1-2	სწრაფი გამოთავისუფლების ბერკეტი
------	---------------------	------	---------------------------------

საკონტროლო სახელურის მილის სიგრძის რეგულირება (ნახ. H1, H2)

1. აუშვით სწრაფი გამოთავისუფლების ბერკეტი.
2. გადაადგილეთ საბერველას მილი კომფორტულ სამუშაო პოზიციაზე რეგულირების ზონის ფარგლებში (ნახ. H1).
3. განათავსეთ სწრაფი გათავისუფლების ბერკეტი, საბერველას მილის ადგილზე დასამაგრებლად (ნახ. H2).

H1-1	საბერველას მილი	H1-2	სწრაფი გამოთავისუფლების ბერკეტი
H2-1	რეგულირების ზომა		

საბერველას ჩართვა/გამორთვა

შენიშვნა: საბერველა შესაძლოა სათანადოდ არ ჩართოს, თუ აკუმულატორის ან საბერველას ტემპერატურა -15°C ან ნაკლებია. ასეთ შემთხვევაში მოხსენით აკუმულატორის ბლოკი საბერველადან და ორივე გაათბეთ შენობაში, 10 წუთის ან მეტი ხნის განმავლობაში. ხელახლა დააყენეთ აკუმულატორის ბლოკი და კიდევ სცადეთ.

ჰაერის სიჩქარის ტრიგერი (ნახ. I1, I2)

- დააჭირეთ ჰაერის სიჩქარის ტრიგერს, რათა ჩართოთ საბერველა, შემდეგ LCD ეკრანზე გამოჩნდება ავზში საწვავის მარეზერვუაბელი, აკუმულატორის ხატულა, ჰაერის სიჩქარის მარეზერვუაბელი.

შენიშვნა: LCD ეკრანზე საწვავის საზომის 1 LED მიუთითებს, რომ აკუმულატორის დატენვის დონე დაბალია.

- საბერველას ჰაერის ჰაერის სიჩქარე კონტროლდება ცვლადი სიჩქარის ტრიგერით. მეტი დაწოლა ტრიგერზე წარმოქმნის მაღალი სიჩქარის ჰაერს; ნაკლები დაწოლა ტრიგერზე წარმოქმნის მცირე სიჩქარის ჰაერს. დაარეგულირეთ სიჩქარე შესასრულებელი სამუშაოს მიხედვით. შესაბამისი ჰაერის სიჩქარის ინდიკატორი გამოჩნდება LCD ეკრანზე.
- ხელი აუშვით ჰაერის სიჩქარის ტრიგერს, რათა გამორთოთ საბერველა. LCD ეკრანი გამოირთვება ტრიგერიდან თითის აწევიდან გარკვეული პერიოდის განმავლობაში.

ტურბო რეჟიმი

სანამ ჰაერის სიჩქარის ტრიგერზე დაჭერილია და დაყოვნებულია თითი, დააჭირეთ ტურბო დილაკს ჰაერის ნაკადის მაქსიმალურ სიჩქარემდე გასაზრდელად (ნახ. I1). ტურბოს მარეზერვუაბელი და ვენტილატორის ხატულა გაანათებს LCD ეკრანზე (ნახ. I3).

შენიშვნა: საბერველა დაუბრუნდება წინა სიჩქარით მუშაობას ტურბოს დილაკზე ხელის გაშვების შემდეგ.

სიჩქარის დაბლოკვის რეჟიმი

სიჩქარის დაბლოკვის რეჟიმის გამოყენება შესაძლებელია საბერველას ასამუშაველად ჰაერის სიჩქარის ტრიგერზე უწყვეტი სახით დაჭერის გარეშე.

1. დააჭირეთ ჰაერის სიჩქარის ტრიგერს, სანამ არ მიაღწევთ სასურველ სიჩქარეს (ნახ. I1).
2. დააჭირეთ სიჩქარის ჩამკეტ დილაკს. სიჩქარის დაბლოკვის ხატულა გაანათებს LCD ეკრანზე (ნახ. I4).
3. აუშვით ჰაერის სიჩქარის ტრიგერი, საფრქვევი გააგრძელებს მუშაობას "სასურველი" სიჩქარით.

შენიშვნა: ტურბო დილაკზე დაჭერას, სიჩქარის დაბლოკვის რეჟიმში ყოფნისას, შეუძლია ჰაერის სიჩქარის მაქსიმალურ დონეზე დაბლოკვა. საბერველა გააგრძელებს წინა სიჩქარით მუშაობას ტურბო დილაკზე კიდევ ერთხელ დაჭერის შემდეგ.

KA

4. **სიჩქარის ბლოკის ასაშვებად** კვლავ დააჭირეთ სიჩქარის დაბლოკვის დილაკს. სიჩქარის ხატულა გაქრება LCD ეკრანიდან და საბერველა გამოირთვება.

I1-1	ტურბოს დილაკი	I1-2	სიჩქარის ჩამკეტი დილაკი
I1-3	ჭავლის სიჩქარის ტრიგერი	I2-1	საწვავის დონის მაჩვენებელი
I2-2	ჰერის სიჩქარის მაჩვენებელი	I2-3	აკუმულატორის პიქტოგრამა
I3-1	გამაგრებელი-ბლის პიქტოგრამა	I3-2	ტურბოს ინდიკატორი
I4-1	სიჩქარის ჩამკეტი ხატულა		

საკომუნკაციო ტექნოლოგია

დაკავშირებული პროდუქტებისა და სერვისების სრული ასორტიმენტის შესახებ ინფორმაციისთვის, დაკავშირების ინსტრუქციების ჩათვლით, დაასკანირეთ ქვემოთ მოცემული QR კოდი ან ეწვიეთ ბმულს www.egopowerplus.eu/connect.



ჰერსაბერის გამოყენებასთან დაკავშირებული რეკომენდაციები

- დაუბრეთ ნარჩენი სხეულების გროვის გარეთა კიდეების გასწვრივ, რათა თავიდან აიცილოთ მათი გაფანტვა. არასოდეს დაუბრეთ ნარჩენი საგნების გროვის ცენტრისკენ.
- ხმაურის შესამცირებლად შეზღუდეთ ერთდროულად გამოყენებული ხელსაწყოების რაოდენობა.
- გამოიყენეთ ფოცხი ან ცოცხი საგნების გასაფანტად საბერველას ჩართვამდე. მტრიან პირობებში, ოდნავ დასველეთ ზედაპირი, თუ წყალი ხელმისაწვდომია.

- მოერიდეთ ბავშვებს, შინაურ ცხოველებს, ღია ფანჯრებს ან ახლად გარეცხილ მანქანებს და სხვა მიმართულებით დაუბრეთ ნარჩენი საგნებს.
- საბერველას ან სხვა ხელსაწყოების გამოყენების შემდეგ, გაასუფთავეთ არე! მოახდინეთ ნარჩენი სხეულები ჯეროვანი უტილიზირება.

ტექნიკური მომსახურება

⚠ გაფრთხილება: ტექნიკური მომსახურებისას გამოიყენეთ მხოლოდ იდენტური სათადარიგო ნაწილები. სხვა ნებისმიერი ნაწილის გამოყენებამ შესაძლოა შექმნას საფრთხე ან გამოიწვიოს მოწყობილობის დაზიანება. მოწყობილობის უსაფრთხოდ და გაპართულად მუშაობისთვის საჭიროა მისი ყველა შეკეთება და ნაწილის შეცვლა მოხდეს კვალიფიციური სერვისის ტექნიკოსის მიერ.

⚠ გაფრთხილება: სერიოზული პირადი დაზიანების თავიდან ასაცილებლად, ყოველთვის მოხსენით აკუმულატორი მოწყობილობას გაქმენდის დროს ან როდესაც უტარებთ რაიმე ტიპის სერვისს.

ზოგადი მოვლის პირობები

მოერიდეთ გამხსნელების გამოყენებას მოწყობილობის პლასტმასის ნაწილების გაქმენდისას. პლასტმასების უმეტესობა ადვილად ზიანდება მათზე სხვადასხვა სახის კომერციული გამხსნელების გამოყენების შედეგად. გამოიყენეთ სუფთა ტილო ტალახის, მტვრის, ზეთის, ცხიმის და სხვ. მოსაცილებლად.

⚠ გაფრთხილება: არცერთ შემთხვევაში არ მისცეთ სატორმუზო სითხეს, ბენზინს, ნავთობის ზაზაზე დამზადებულ პროდუქტებს ან სხვა ძლიერი გამხსნელებს მოვიდნენ პლასტმასის ნაწილებთან კონტაქტში. ქიმიურმა ნაერთებმა შესაძლოა დააზიანოს, გაცვითოს და დაშალოს პლასტმასი, რამაც შეიძლება მოგაყენოთ სერიოზული ზიანი.

⚠ გაფრთხილება: მოკლე ჩართვით გამოწვეული ხანძრის, პირადი დაზიანებისა და პროდუქტის დაზიანების რისკის შესამცირებლად, არასოდეს ჩადოთ თქვენნი ხელსაწყო, აკუმულატორის ბლოკი ან დამტენი სითხეში და არ დაუშვათ ხელსაწყოში სითხის

KA

მოხვედრა. კოროზიულმა ან გამტარმა სითხეებმა, როგორცაა ზღვის წყალი, გარკვეული სამრეწველო ქიმიკატები და მათეთრებელი ან მათეთრებელის შემცველი პროდუქტები და ა.შ., შეიძლება გამოიწვიოს მოკლე ჩართვა.

შენახვა

- მოხსენით აკუმულატორის ბლოკი საბერველას.
- გაწმინდეთ საბერველას ჰაერის ჭავლის შესავალები ნებისმიერი უცხო ნარჩენებისგან.
- გაუსწორეთ საბერველას მილის საცავის დილაკი მილის დასაკიდ სიღრუეს და ჩამოაცვიეთ საბერველას მილი აკუმულატორის ბლოკის ბუდეს (ნახ. J1 და J2).
- შეინახეთ ის ჩაკეტილ ადგილას, რომელიც ბავშვებისთვის მიუწვდომელია. მოაცილეთ კოროზიის გამომწვევი ნივთიერებები, როგორცაა სოფლის მეურნეობაში

გამოყენებული ქიმიკატები და მოყინვის საწინააღმდეგო ტექნიკური მარილი.

J1-1	საბერველას მილის საცავის სახელური	J1-2	მილის დასაკიდი სიღრუე
------	-----------------------------------	------	-----------------------

გარემოს დაცვა



არ მოათავსოთ ელექტრო მოწყობილობა, ნახშირი დამტენი და აკუმულატორი საყოფაცხოვრებო ნაგავში! მიუტანეთ პროდუქტი ნარჩენების ავტორიზირებულ გადამამუშავებელს და უზრუნველყავით ასეთი ნარჩენის განცალკევებულად შეგროვება. ელექტრო ხელსაწყოები უნდა ჩაბარდეს ნარჩენების გადამამუშავებელ ობიექტს.

გაუმართაობა

პრობლემა	გამომწვევი მიზეზი	პრობლემის გადაჭრის გზა
საბერველა არ მუშაობს.	▪ აკუმულატორი არ არის შერთებული საბერველაზე.	▪ მიუერთეთ აკუმულატორი საბერველას.
	▪ საბერველასა და აკუმულატორს შორის არ არის ელექტრული კონტაქტი.	▪ მოხსენით აკუმულატორის ბლოკი, შეამოწმეთ კონტაქტები და კვლავ მოათავსეთ ორი უკან.
	▪ აკუმულატორის ბლოკი დაცლილია.	▪ დატენით აკუმულატორის ბლოკი.
	▪ აკუმულატორი ან საბერველა ზედმეტად გაცხელებულია.	▪ აცალეთ საბერველას ან აკუმულატორის ბლოკს გაგრილება 67°C-ზე ქვევით.
	▪ დაზიანებული ჰაერის ჭავლის სიჩქარის ტრიგერი.	▪ მიმართეთ EGO-ს კლიენტთა მომსახურების ცენტრს შეკეთებისთვის.
	▪ აკუმულატორის ბლოკი ან საბერველა ძალიან ცივია.	▪ ამოიღეთ აკუმულატორის ბლოკი, გაათბეთ ის და საბერველა შენობის შიგნით. რეკომენდებულია აკუმულატორის ბლოკის სრულად დატენვა და საბერველას დაბალი სიჩქარით ამუშავება ტურბო რეჟიმის გააქტიურების გარეშე.

KA

პრობლემა	გამომწვევი მიზეზი	პრობლემის გადაჭრის გზა
სიჩქარის დაბლოკვის რეჟიმის ჩართვა ან გამორთვა შეუძლებელია.	<ul style="list-style-type: none"> დაზიანებულია სიჩქარის დაბლოკვის დილაკი. 	<ul style="list-style-type: none"> მიმართეთ EGO-ს კლიენტთა მომსახურების ცენტრს შეკეთებისთვის.
ჰაერის სიჩქარე შესამჩნევად შემცირებულია.	<ul style="list-style-type: none"> აკუმულატორის მუხტი დამჯდარია. 	<ul style="list-style-type: none"> დატენეთ აკუმულატორის ბლოკი.
	<ul style="list-style-type: none"> მოტორის ვენტილატორის მნიშვნელოვანი ცვეთა. ჰაერის ჭავლის შესავალი დახმულია უცხო ნარჩენებით. 	<ul style="list-style-type: none"> გასარემონტებლად დაუკავშირდით EGO სერვის ცენტრს. მოსხენით აკუმულატორის ბლოკი ხელსაწყოს, გაწმინდეთ ნარჩენი სხეულები.
LCD ეკრანი არ მუშაობს გამართულად.	<ul style="list-style-type: none"> დაზიანებულია LCD ეკრანი ან მავთულის კავშირი. 	<ul style="list-style-type: none"> გასარემონტებლად დაუკავშირდით EGO სერვის ცენტრს.
საწვავის დონის მანიშნებელი 1 LED ხატულა ანთია LCD ეკრანზე.	<ul style="list-style-type: none"> აკუმულატორის მუხტი დამჯდარია. 	<ul style="list-style-type: none"> დატენეთ აკუმულატორის ბლოკი.

გარანტია

EGO-ს საგარანტო პოლიტიკა

გთხოვთ, ეწვიოთ ვებ-გვერდს egopowerplus.eu, და გაეცნოთ EGO-ს საგარანტო პოლიტიკის წესებს და პირობებს სრულად.

PROČITAJTE SVA UPUTSTVA!



PROČITAJTE PRIRUČNIK ZA RUKOVAOCA

⚠ UPOZORENJE: Da bi se osigurala sigurnost i pouzdanost, sve popravke treba da radi kvalifikovani servisni tehničar.

SIGURNOSNI SIMBOLI

Svrha sigurnosnih simbola je da vam skrenu pažnju na moguće opasnosti. Sigurnosni simboli i objašnjenja uz njih zaslužuju vašu pomnu pažnju i shvatanje. Simboli upozorenja, sami po sebi, ne eliminišu nikakve opasnosti. Uputstva i upozorenja koja oni daju nisu zamena za odgovarajuće mere sprečavanja nezgoda.

⚠ UPOZORENJE: Obavezno pročitajte i shvatite sva sigurnosna uputstva u ovom Priručniku za rukovaoca, obuhvatajući i sve simbole sigurnosnih upozorenja poput „**OPASNOST**“, „**UPOZORENJE**“ i „**OPREZ**“ pre korišćenja ove mašine. Nepridržavanje svih dole navedenih uputstava može da dovede do strujnog udara, požara i/ili ozbiljne telesne povrede.

ZNAČENJE SIMBOLA

⚠ SIMBOL SIGURNOSNOG UPOZORENJA: Ukazuje na **OPASNOST**, **UPOZORENJE** ili **OPREZ**, može se koristiti zajedno sa drugim simbolima ili piktogramima.

SIGURNOSNA UPUTSTVA

Ova stranica prikazuje i opisuje sigurnosne simbole koji mogu da se pojave na ovom proizvodu. Pročitajte, shvatite i sledite sva uputstva na mašini pre no što pokušate da je sklopite i da rukujete njom.



Sigurnosno upozorenje



Uvek nosite zaštitu za uši kad rukujete ovim proizvodom.



Držite sve prolaznike na udaljenosti od najmanje 15 m.



Ovaj proizvod je u skladu sa primenjivim zakonima UK.



Jednosmerna struja



Zaštita od mlazova vode

V Napon

°C Celzijus

N Njutt



Da bi smanjio rizik od povreda, korisnik pre korišćenja ovog proizvoda mora pročitati priručnik za rukovaoca.



Uvek nosite sigurnosne naočare ili sigurnosne naočare sa bočnim štitičima i po potrebi masku za celo lice kad rukujete ovim proizvodom.



Ovaj proizvod je u skladu sa primenjivim EC direktivama.



Otpadni električni proizvodi ne smeju da se odlažu sa otpadom iz domaćinstva. Onesite ih u ovlašćeni centar za reciklažu.



Bluetooth® simbol



Garantovani nivo zvučne snage. Emisija buke u okruženju u skladu je sa Direktivom Evropske unije.

kg Kilogram

m³/h Kubni metri na sat

m/s Metri u sekundi

SR

SPECIFIKACIJE

Napon	56 V	
Maksimalna zapremina vazduha	1360 m ³ /h	
Maksimalna brzina vazduha	85 m/s	
Maksimalna sila duvanja	26 N	
Približno vreme rada	Sa dva akumulatora od 6,0 Ah	24 min. (Turbo)
		32 min. (Veća brzina)
		120 min. (Manja brzina)
	Sa dva akumulatora od 7,5 Ah	30 min. (Turbo)
		40 min. (Veća brzina)
		150 min. (Manja brzina)
	Sa dva akumulatora od 10 Ah	40 min. (Turbo)
		52 min. (Veća brzina)
		200 min. (Manja brzina)
	Sa dva akumulatora od 12 Ah	48 min. (Turbo)
		63 min. (Veća brzina)
		240 min. (Manja brzina)
Opseg radne frekvencije za Bluetooth	2400 - 2438 MHz	
Maksimalna snaga prenosa za Bluetooth	5 dBm	
Težina (bez baterije)	7,7 kg	
Preporučena radna temperatura	Od -15 do +40 °C	
Preporučena temperatura skladištenja	Od -20 do +70 °C	
Izmereni nivo zvučne snage L _{WA}	97 dB(A) K=1,1 dB(A)	
Nivo zvučnog pritiska na uhu rukovaoca L _{PA}	82 dB(A) K=3 dB(A)	
Garantovani nivo zvučne snage L _{WA} (izmereno u skladu sa Direktivom 2000/14/EC)	98 dB(A)	
Vibracije a _n	0,35 m/s ² K=1,5 m/s ²	

SR

- Deklarisana ukupna vrednost vibracije je izmerena u skladu sa standardnim metodom testiranja i može se koristiti za upoređivanje jednog alata sa drugim;
- Deklarisana ukupna vrednost vibracije može se koristiti i u preliminarnoj proceni izlaganja.

200

BEŽIČNI RANAC DUVAČ SA LITIJUM-JONSKOM BATERIJOM OD 56 VOLTI — LBPX8000

OBAVEŠTENJE: Emisija vibracija tokom stvarne upotrebe električnog alata može da se razlikuje od deklarisanе vrednosti u kojoj se alat koristi. Da bi se rukovalac zaštitio, korisnik bi trebalo da nosi rukavice i štitnike za uši u stvarnim uslovima korišćenja.

POPIS PAKOVANJA (SLIKA A1)

OPIS

UPOZNAJTE SVOJ DUVAČ (slika A1)

1. Podesivi potporni remeni
2. Dugme za skladištenje cevi duvača
3. Ploča ranca
4. Kontrolna ručica
5. Sužena mlaznica
6. Cev duvača
7. Cev kontrolne ručice
8. Meh
9. Ulaz vazduha
10. Pomoćna drška
11. Električni kontakti
12. Reza
13. Dugmad za oslobađanje baterija
14. Drška
15. Dugme za zaključavanje brzine
16. LCD ekran
17. Turbo dugme
18. Okidač za brzinu vazduha
19. Žleb za kačenje cevi
20. Poluge za brzo oslobađanje
21. Bluetooth indikator
22. Pokazivač goriva
23. Ikonica ventilatora
24. Turbo indikator
25. Indikator brzine vazduha
26. Ikonica zaključavanja brzine
27. Ikonica za bateriju

SKLAPANJE

⚠ UPOZORENJE: Ako su neki delovi oštećeni ili nedostaju, nemojte koristiti ovaj proizvod dok delovi ne budu zamenjeni. Korišćenje ovog proizvoda sa oštećenim ili nedostajućim delovima može dovesti do ozbiljnih telesnih povreda.

⚠ UPOZORENJE: Ne pokušavajte da modifikujete ovaj proizvod ili da pravite dodatke koji nisu preporučeni za korišćenje sa ovim duvačem. Svaka takva promena ili modifikacija je zloupotreba i može dovesti do opasnih uslova koji mogu da dovedu do ozbiljnih telesnih povreda.

⚠ UPOZORENJE: Da biste sprečili nehotično pokretanje koje bi moglo izazvati ozbiljne telesne povrede, uvek uklonite baterije iz alata kad sklapate delove.

SKLAPANJE CEVI DUVAČA

Povezivanje cevi kontrolne ručice na meh

1. Umetnite gornji kraj cevi kontrolne ručice u meh do kraja (slika B1).
2. Čvrsto zategnite vijak na objumici pričvršćenoj na meh (slika B2).

B1-1	Meh	B1-2	Objumica
B1-3	Gornji kraj	B1-4	Cev kontrolne ručice
B2-1	Vijak		

Povezivanje cevi duvača na cev kontrolne ručice

1. Olabavite i uklonite polugu za brzo oslobađanje i leptir navrtanj sa sklopa spojnice cevi fiksirane na cevi duvača (slika C1).
2. Poravnajte žleb na cevi duvača sa rebrom na cevi kontrolne ručice i navucite cev duvača na cev kontrolne ručice do kraja (slika C2).
3. Umetnite osigurač poluge za brzo oslobađanje i zatvorite polugu na spojnicu cevi (slika C3).
4. Zategnite leptir navrtanj da biste učvrstili spojnicu cevi (slika C4).

C1-1	Cev duvača	C1-2	Spojnicu cevi
C1-3	Poluga za brzo oslobađanje	C1-4	Leptir navrtanj
C2-1	Cev duvača	C2-2	Cev kontrolne ručice
C2-3	Žleb	C2-4	Rebro
C3-1	Osigurač		

Povezivanje sušene mlaznice na cev duvača

1. Poravnajte žleb na mlaznici i rezu na cevi. Gurnite mlaznicu na cev dok čvrsto ne škljocne na svoje mesto (slika D1).
2. **Da biste skinuli mlaznicu,** pritisnite i držite dugme za oslobađanje mlaznice da biste otpustili rezu, a zatim izvucite mlaznicu ravno iz cevi duvača (slika D2).

D1-1	Dugme za oslobađanje mlaznice	D1-2	Reza
------	-------------------------------	------	------

RAD

⚠ UPOZORENJE: Nemojte dozvoliti da vas poznavanje ovog proizvoda učini nemarnim. Imajte na umu da je za nanošenje teških povreda dovoljan samo delić sekunde nepažnje.

⚠ UPOZORENJE: Ne koristite nikakve dodatke ili pribor koje nije preporučio proizvođač ovog proizvoda. Upotreba nepreporučenih dodataka ili pribora može da rezultira teškim telesnim povredama.

⚠ UPOZORENJE: Uvek izvadite baterije iz proizvoda kad sklapate delove, podešavate, čistite ili kad ga ne koristite. Vađenje baterija će sprečiti nehotično pokretanje koje bi moglo da izazove ozbiljne telesne povrede.

Pre svake upotrebe pregledajte čitav proizvod radi oštećenih, nedostajućih ili labavih delova poput vijaka, navrtanja, zavrtanja, kapica itd. Čvrsto zategnite sve spojeve i kapice i ne rukujte ovih proizvodima dok svi nedostajući ili oštećeni delovi ne budu zamenjeni.

PRIMENA

Ovaj proizvod možete da upotrebljavate za svrhe navedene u nastavku:

- Čišćenje lišća i raznovrsnog dvorišnog materijala sa travnjaka i malč leja.
- Čišćenje tvrdih površina poput prilaza i staza.
- Održavanje terasa i prilaza čistim od lišća i borovih iglica.

OBAVEŠTENJE: Alat treba koristiti samo za propisanu svrhu. Svaka druga upotreba smatra se slučajem zloupotrebe.

POSTAVLJANJE/SKIDANJE BATERIJE

Upotrebljavajte samo baterije i punjače proizvođača EGO navedene na slici A2.

Pogledajte odgovarajuće priručnike za bateriju i punjač radi više detalja.

Potpuno napunite pre prve upotrebe.

OBAVEŠTENJE: Za najbolji učinak preporučujemo upotrebu EGO 56 V akumulatora BA3360T (6,0 Ah) ili druge EGO 56 V akumulatore sa većom Ah oznakom.

Duvač ima dva aktivna porta za baterije na levoj i desnoj strani kućišta portova za baterije.

NAPOMENA: Duvač može da radi sa jednom ili dve baterije. Korišćenje dve baterije omogućava vam duže vreme rada i efikasno trošenje energije kojim upravlja PEAK POWER™ tehnologija.

Kad umetnete akumulatore u odgovarajuće portove za baterije označene sa 1 ili 2 na ploči ranca i uključite duvač, ikonica odgovarajuće baterije će se osvetliti na LCD ekranu (slika E1).

Za spajanje (slika E2)

Poravnajte rebra baterije sa prorezima za montiranje u jednom portu i pritisnite akumulator nadole dok ne čujete „škljoc“. Spojite drugu bateriju.

Za odvajanje

Pritisnite dugme za oslobađanje baterije i izvucite akumulator

⚠ UPOZORENJE: Uvek imajte u vidu položaj svojih stopala, dece ili kućnih ljubimaca kad pritisnete dugme za otključavanje baterije. Može doći do ozbiljnih povreda ako baterija ispadne. NIKAD ne vadite bateriju dok ste na visokom mestu.

E1-1	Broj portova za baterije	E1-2	LCD ekran
E1-3	Ikonica za bateriju	E2-1	Rebro baterije
E2-2	Prorez za montiranje	E2-3	Dugme za otključavanje baterije

POSTAVLJANJE RANCA DUVAČA

⚠ UPOZORENJE: Obucite se prikladno da biste smanjili rizik od povrede dok koristite ovu mašinu. Nemojte nositi široku odeću ili nakit. Nosite zaštitne naočare i zaštitu uva/sluha. Nosite duge radne pantalone, duboke cipele i rukavice. Ne nosite kratke pantalone, sandale, papuče i ne radite bosi.

Pre korišćenja ranca duvača, osigurajte da rukovalac nosi zaštitu za oči i prikladnu odeću i da može da održava bezbedno i uravnoteženo uporište nogu.

Za podešavanje potpornih remena

1. Stavite ruke kroz remena ranca da biste stavili duvač na leđa.
2. Privremeno podesite oba remena za ramena u udoban položaj (slika F1), vodeći računa da vam bude udobno za laktove.
3. Zakopčajte kopču na grudima i podesite dužinu remena na grudima ako je neophodno (slika F2).

4. Zakopčajte kopču na struku i podesite dužinu remena na struku tako da vam ranac bude čvrsto oslonjen na kukove (slika F3 i F4).

NAPOMENA: Ranac ne bi trebalo da vam bude previsoko na leđima; treba da bude namešten bliže kukovima nego ramenima.

⚠ UPOZORENJE: Kad dođe do hitnog slučaja, odmah oslobodite kopče na grudima i struku da biste skinuli remene ranca sa obe strane. To je metod brzog oslobađanja.

5. Ponovo podesite remena za ramena radi bezbednosti i udobnosti. Vodite računa da vam ranac stoji čvrsto na leđima, sa težinom oslonjenom na remen oko struka i bez prekomernih pokreta kad se pomerate (slika F5).
6. Umetnite eventualni višak dužine remena oko struka u lastiš sa obe strane (slika F6).
7. Da biste skinuli ranac s leđa, samo pritisnite kopče oko struka i na grudima da biste ih otkopčali i skinuli duvač (slika F7).

F1-1	Remen za rame	F2-1	Kopča na grudima
F3-1	Kopča na struku	F6-1	Lastiš
F6-2	Dodatna dužina remena		

Za podešavanje kontrolne ručice

1. Otpustite polugu za brzo oslobađanje da biste pomerili kontrolnu ručicu napred ili nazad prema potrebi (slika G1 i G2) a zatim zatvorite polugu za brzo oslobađanje da biste učvrstili kontrolnu ručicu na tom mestu.
2. Možete i da okrenete ručicu po potrebi, radi udobnosti (slika G3).

G1-1	Kontrolna ručica	G1-2	Poluga za brzo oslobađanje
------	------------------	------	----------------------------

Za podešavanje dužine cevi kontrolne ručice (slika H1, H2)

1. Oslobodite polugu za brzo oslobađanje.
2. Pomerite cev duvača u udoban radni položaj unutar zone podešavanja (slika H1).
3. Zatvorite polugu za brzo oslobađanje da biste učvrstili cev duvača na njenom mestu (slika H2).

H1-1	Cev duvača	H1-2	Poluga za brzo oslobađanje
H2-1	Zona podešavanja		

POKRETANJE/ZAUSTAVLJANJE DUVAČA

NAPOMENA: Duvač možda neće pravilno startovati ako je temperatura akumulatora ili duvača -15 °C ili manje. U tom slučaju uklonite akumulator iz duvača i ostavite akumulator i duvač da se greju u zatvorenom prostoru 10 minuta ili duže. Ponovo instalirajte akumulator i pokušajte ponovo.

Okidač za brzinu vazduha (slika I1, I2)

- Pritisnite okidač za brzinu vazduha da biste uključili duvač; potom će LCD ekran prikazati pokazivač goriva, ikonice baterije i indikator brzine vazduha.

NAPOMENA: 1 LED na pokazivaču goriva na LCD ekranu bljeska kad je napunjenost baterije niska.

- Brzina vazduha iz duvača se kontroliše okidačem varijabilne brzine. Veći pritisak na okidač daje veću brzinu duvanja; manji pritisak na okidač daje manju brzinu duvanja. Podesite brzinu tako da odgovara poslu koji obavljate. Odgovarajući indikator brzine vazduha će se prikazati na LCD ekranu.
- Pustite okidač za brzinu vazduha da biste isključili duvač. LCD ekran će se isključiti u određenom vremenskom roku nakon puštanja okidača.

Turbo režim

Dok pritisnete i držite okidač za brzinu vazduha, pritisnite turbo dugme da biste povećali protok vazduha na maksimalnu brzinu (slika I1). I turbo indikator i ikonice ventilatora će se osvetliti na LCD ekranu (slika I3).

NAPOMENA: Duvač će se vratiti na prethodnu brzinu kad budete pustili turbo dugme.

Režim zaključane brzine

Zaključavanje brzine se može koristiti za rad duvačem bez neprestanog pritiskanja okidača za brzinu vazduha.

1. Pritisnite okidač za brzinu vazduha dok ne dođete do željene brzine (slika I1).
2. Pritisnite dugme za zaključavanje brzine. Ikonice zaključane brzine će se osvetliti na LCD ekranu (slika I4).

3. Zatim pustite okidač za brzinu vazduha; duvač će nastaviti da radi na „željenoj“ brzini.

NAPOMENA: Pritisak na turbo dugme dok ste u režimu zaključane brzine može da zaključa brzinu vazduha na maksimalnom nivou. Duvač će nastaviti na prethodnoj brzini kad budete pritisnuli turbo dugme još jednom.

4. Za oslobađanje zaključane brzine, pritisnite dugme za zaključavanje brzine ponovo. Ikonice zaključavanja brzine će nestati sa LCD ekrana a duvač će se isključiti.

I1-1	Turbo dugme	I1-2	Dugme za zaključavanje brzine
I1-3	Okidač za brzinu vazduha	I2-1	Pokazivač goriva
I2-2	Indikator brzine vazduha	I2-3	Ikonice za bateriju
I3-1	Ikonice ventilatora	I3-2	Turbo indikator
I4-1	Ikonice zaključavanja brzine		

KOMUNIKACIONA TEHNOLOGIJA

Za informacije o celoj paleti naših povezanih uređaja i usluga, obuhvatajući i uputstva za povezivanje, skenirajte QR kod ispod ili posetite www.egopowerplus.eu/connect.



SAVETI ZA KORIŠĆENJE DUVAČA

- Da biste sprečili razbacivanje materijala, duvajte oko spoljašnjih ivica gomile materijala. Nikad ne duvajte direktno u centar gomile.
- Da biste smanjili nivo zvuka, ograničite broj komada opreme koji se koriste istovremeno.
- Koristite grablje i metlu da rastresete materijal pre duvanja. U prašnjavim uslovima, blago ovlažite površinu ako je voda dostupna.
- Pazite na decu, kućne ljubimce, otvorene prozore ili nedavno oprane automobile i duvajte materijal bezbedno dalje od njih.
- Nakon korišćenja duvača ili druge opreme, počistite za sobom! Odložite materijal pravilno na otpad.

ODRŽAVANJE

⚠ UPOZORENJE: Tokom servisiranja, koristite samo identične rezervne delove. Upotreba bilo kakvih drugih delova može da dovede do opasnosti ili da izazove oštećenje proizvoda. Da bi se osigurala sigurnost i pouzdanost, sve popravke treba da radi kvalifikovani servisni tehničar.

⚠ UPOZORENJE: Da biste izbegli ozbiljne telesne povrede, uvek izvadite bateriju iz proizvoda kad ga čistite ili održavate.

OPŠTE ODRŽAVANJE

Izbegavajte korišćenje rastvarača kada čistite plastične delove. Većina plastike je podložna oštećenjima od raznih tipova komercijalnih rastvarača i može se oštetiti njihovom upotrebom. Koristite čiste krpe da uklonite zemlju, prašinu, ulje, masnoću itd.

⚠ UPOZORENJE: Nemojte ni u kom trenutku dozvoliti da kočiona tečnost, benzin, proizvodi na bazi benzina, penetraciono ulje itd. dođu u kontakt sa plastičnim delovima. Hemikalije mogu da oštete, oslabe ili unište plastiku, što može da dovede do ozbiljne telesne povrede.

⚠ UPOZORENJE: Da biste smanjili rizik od požara, telesne povrede i oštećenja proizvoda zbog kratkog spoja, nikad ne potapajte mašinu, bateriju ili punjač u tečnost i ne dozvolite da tečnost uđe u njih. Korozivne ili provodničke tečnosti poput morske vode, određenih industrijskih hemikalija i izbeljivača ili proizvoda koji sadrže izbeljivač i sl. mogu da izazovu kratak spoj.

SKLADIŠTENJE

- Izvadite akumulator iz duvača.
- Očistite sav strani materijal iz ulaza vazduha na duvaču.
- Poravnajte dugme za skladištenje cevi duvača sa žlebom za kačenje cevi i zakačite cev duvača na kucište porta za baterije (slika J1 i J2).
- Skladištite u zatvorenom prostoru koji nije dostupan deci. Držite dalje od korozivnih sredstava, poput baštenskih hemikalija i soli za odmrzavanje.

J1-1	Dugme za skladištenje cevi duvača	J1-2	Žleb za kačenje cevi
------	-----------------------------------	------	----------------------

Zaštita životne sredine



Ne odlažite električnu opremu, potrošene baterije i punjače u kućni otpad! Odnosite ovaj proizvod u ovlašćeni pogon za reciklažu ili ga odvojite od ostalog smeća radi zasebnog prikupljanja. Električni alati moraju se odneti u ekološki prihvatljiv pogon za reciklažu.

REŠAVANJE PROBLEMA

PROBLEM	UZROK	REŠENJE
Duvač ne radi.	<ul style="list-style-type: none"> ■ Baterija nije spojena na duvač. 	<ul style="list-style-type: none"> ■ Spojite bateriju na duvač.
	<ul style="list-style-type: none"> ■ Nema električnog kontakta između duvača i baterije. 	<ul style="list-style-type: none"> ■ Izvadite bateriju, proverite kontakte i ponovo instalirajte bateriju.
	<ul style="list-style-type: none"> ■ Punjenje baterije je potrošeno. 	<ul style="list-style-type: none"> ■ Napunite bateriju.
	<ul style="list-style-type: none"> ■ Baterija ili duvač su prevrući. 	<ul style="list-style-type: none"> ■ Ohladite akumulator i duvač dok temperatura ne padne ispod 67 °C.
	<ul style="list-style-type: none"> ■ Oštećen okidač za brzinu vazduha. 	<ul style="list-style-type: none"> ■ Obratite se EGO korisničkoj službi za popravku.
	<ul style="list-style-type: none"> ■ Baterija ili duvač su previše hladni. 	<ul style="list-style-type: none"> ■ Uklonite akumulator i ostavite akumulator i duvač da se zagreju u zatvorenom prostoru. Preporučuje se da potpuno napunite akumulator i startujete duvač na maloj brzini bez aktiviranja turbo režima.
Režim zaključane brzine ne može da se uključi ili isključi.	<ul style="list-style-type: none"> ■ Oštećeno dugme za zaključavanje brzine. 	<ul style="list-style-type: none"> ■ Obratite se EGO korisničkoj službi za popravku.
Brzina vazduha je приметно smanjena.	<ul style="list-style-type: none"> ■ Napunjenost baterije je niska. 	<ul style="list-style-type: none"> ■ Napunite bateriju.
	<ul style="list-style-type: none"> ■ Prekomerno habanje ventilatora motora. 	<ul style="list-style-type: none"> ■ Obratite se EGO servisu radi popravke.
	<ul style="list-style-type: none"> ■ Ulaz vazduha je blokiran prijavštinom. 	<ul style="list-style-type: none"> ■ Izvadite akumulator; potom očistite prijavštinu.
LCD ekran ne funkcioniše pravilno.	<ul style="list-style-type: none"> ■ LCD ekran ili spojne žice su oštećeni. 	<ul style="list-style-type: none"> ■ Obratite se EGO servisu radi popravke.
1 LED na pokazivaču goriva na LCD ekranu bljeska.	<ul style="list-style-type: none"> ■ Napunjenost baterije je niska. 	<ul style="list-style-type: none"> ■ Napunite bateriju.

GARANCIJA

EGO POLITIKA GARANCIJE

Posetite veb-lokaciju egopowerplus.eu za potpune uslove i odredbe EGO politike garancije.

PROČITAJTE UPUTSTVO U CIJELOSTI!



PROČITAJTE KORISNIČKI PRIRUČNIK

⚠ UPOZORENJE! Radi osiguranja sigurnosti i pouzdanosti, sve popravke treba obavljati kvalifikovani servisni tehničar.

SIGURNOSNI SIMBOLI

Svrha sigurnosnih simbola je skretanje pažnje na moguće opasnosti. Sigurnosni simboli i njihova objašnjenja zahtijevaju vašu potpunu pažnju i razumijevanje. Simboli upozorenja sami po sebi ne isključuju opasnost. Uputstva i upozorenja koja pružaju nisu zamjena za propisne mjere za prevenciju nesreća.

⚠ UPOZORENJE! Prije upotrebe ove mašine pobrinite se da sva sigurnosna uputstva u ovom korisničkom priručniku, uključujući sve sigurnosne simbole kao što su "OPASNOST," "UPOZORENJE" i "OPREZ" pročitate s razumijevanjem. Zanemarivanje svih uputstava navedenih u nastavku može rezultirati strujnim udarom, požarom i/ili teškim tjelesnim povredama.

ZNAČENJE SIMBOLA

⚠ SIGURNOSNI SIMBOL UPOZORENJA: ukazuje na **OPASNOST**, **UPOZORENJE** ili **OPREZ** i može se upotrebljavati u kombinaciji s drugim simbolima ili piktogramima.

SIGURNOSNE NAPOMENE

Na ovoj stranici slikovno su prikazani i objašnjeni sigurnosni simboli koji se mogu pojaviti na ovom proizvodu. Prije pokušaja sastavljanja i rukovanja, s razumijevanjem pročitate sva uputstva na proizvodu i pridržavajte ih se.



Simbol upozorenja



Kada upotrebljavate ovaj proizvod, uvijek nosite zaštitu za sluh.



Sve prisutne osobe držite na udaljenosti od najmanje 15 m.



Ovaj proizvod je u skladu s važećim zakonodavstvom Velike Britanije.



Istosmjerna struja



Zaštita od vodenog mlaza

V Napon

°C Celzijus

N Njutt



Radi smanjenja opasnosti od povreda, prije upotrebe ovog proizvoda korisnik treba pročitati korisnički priručnik.



Kada upotrebljavate ovaj proizvod, uvijek nosite zatvorene zaštitne naočale ili zaštitne naočale s bočnim štincima i štitičnik za cijelo lice.



Ovaj proizvod je u skladu s primjenjivim Direktivama EU.



Otpadni električni proizvodi ne smiju se odlagati s otpadom iz domaćinstva. Odnosite ih u ovlašteni centar za reciklažu.



Simbol Bluetooth®



Zagarantovani nivo zvučne snage. Emisija buke u okruženju u skladu je s Direktivom Evropske unije.

kg Kilogram

m³/h Kubni metar po satu

m/s Metar u sekundi

BS

206

AKUMULATORSKI PUHAČ LIŠĆA S LEDNOM LITIJI-IONSKOM BATERIJOM OD 56 V — LBPX8000

TEHNIČKI PODACI

Napon	56 V	
Maksimalna količina zraka	1360 m ³ /h	
Maksimalna brzina zraka	85 m/s	
Maksimalna sila puhanja	26 N	
Približno vrijeme rada	Sa dva kompleta baterija od 6,0 Ah	24 min. (turbo)
		32 min. (visoka brzina)
		120 min. (niska brzina)
	Sa dva kompleta baterija od 7,5 Ah	30 min. (turbo)
		40 min. (visoka brzina)
		150 min. (niska brzina)
	Sa dva kompleta baterija od 10 Ah	40 min. (turbo)
		52 min. (visoka brzina)
		200 min. (niska brzina)
	Sa dva kompleta baterija od 12 Ah	48 min. (turbo)
		63 min. (visoka brzina)
		240 min. (niska brzina)
Opseg radne frekvencije za Bluetooth	2400 - 2438 MHz	
Maksimalna snaga prijenosa za Bluetooth	5 dBm	
Masa (bez kompleta baterija)	7,7 kg	
Preporučena radna temperatura	-15 °C - 40 °C	
Preporučena temperatura skladištenja	-20 °C - 70 °C	
Izmjereni nivo zvučne snage L _{WA}	97 dB(A) K=1,1 dB(A)	
Nivo zvučnog pritiska kod uha rukovaoca L _{PA}	82 dB(A) K=3 dB(A)	
Zagarantovani nivo zvučne snage L _{WA} (izmjereno u skladu s Direktivom 2000/14/EZ)	98 dB(A)	
Vibracije a _h	0,35 m/s ² K = 1,5 m/s ²	

- Deklarisane ukupne vrijednosti vibracija izmjerene su u skladu sa standardnom metodom ispitivanja i mogu se primjenjivati za poređenje jednog alata s drugim;
- Deklarisane ukupne vrijednosti vibracija mogu se primjenjivati i u preliminarnoj procjeni izloženosti.

NAPOMENA! Emisija vibracija tokom aktualne upotrebe električnog alata može se razlikovati od deklarirane vrijednosti u kojoj se alat upotrebljavao; korisnik radi zaštite treba nositi rukavice i štitnike za uši u aktualnim uslovima upotrebe.

SADRŽAJ PAKOVANJA (SL. A1)

OPIS

UPOZNAJTE SVOJ PUHAČ LIŠĆA (sl. A1)

1. Podesivi sistem za nošenje na leđima
2. Okretno dugme za skladištenje cijevi puhača lišća
3. Pločica ledne baterije
4. Upravljački rukohvat
5. Konusna mlaznica
6. Cijev puhača lišća
7. Cijev upravljačkog rukohvata
8. Fleksibilne spojne komponente
9. Ulazni otvor za zrak
10. Pomoćna ručka
11. Električni kontakti
12. Bravica
13. Dugmad za oslobađanje baterije
14. Ručka
15. Dugme za održavanje brzine
16. LCD ekran
17. Dugme turbo režima rada
18. Okidni prekidač za brzinu zraka
19. Žlijeb za vješanje cijevi
20. Ručice za brzo otpuštanje
21. Bluetooth indikator
22. Indikator napunjenosti
23. Ikona ventilatora
24. Indikator turbo režima rada
25. Indikator brzine zraka
26. Ikona održavanja brzine
27. Ikona baterije

SASTAVLJANJE

⚠ UPOZORENJE! Ako je bilo koji dio oštećen ili ako nedostaje, nemojte upotrebljavati ovaj proizvod dok ne zamijenite dijelove. Upotreba ovog proizvoda oštećenih dijelova ili dijelova koji nedostaju može rezultirati teškim tjelesnim povredama.

⚠ UPOZORENJE! Nemojte pokušavati da modifikujete ovaj proizvod ili da pravite pribor koji nije preporučen za upotrebu s ovim puhačem lišća. Sve takve izmjene ili modifikacije predstavljaju nepropisnu upotrebu i mogu rezultirati opasnim stanjima koja mogu dovesti do mogućih teških tjelesnih povreda.

⚠ UPOZORENJE! Radi sprečavanja iznenadnog pokretanja koje može uzrokovati teške tjelesne povrede, uvijek izvadite baterije iz alata kada postavljate dijelove.

POSTAVLJANJE CIJEVI PUHAČA LIŠĆA

Spajanje cijevi upravljačkog rukohvata s fleksibilnim spojnim komponentama (sl. C)

1. Gornji kraj cijevi upravljačkog rukohvata do kraja umetnite u fleksibilne spojne komponente (sl. B1).
2. Čvrsto pritegnite vijak u steznoj objumici pričvršćenoj na fleksibilne spojne komponente (sl. B2).

B1-1	Fleksibilne spojne komponente	B1-2	Stezna objumica
B1-3	Gornji kraj	B1-4	Cijev upravljačkog rukohvata
B2-1	Vijak		

Spajanje cijevi puhača lišća sa cijevi upravljačkog rukohvata

1. Otpustite i uklonite ručicu za brzo otpuštanje i krilnu maticu sa sklopa objumice cijevi pričvršćenog na cijevi puhača lišća (sl. C1).
2. Poravnajte žlijeb u cijevi puhača lišća s rebrom na cijevi upravljačkog rukohvata i do kraja gumite cijev puhača lišća preko cijevi upravljačkog rukohvata (sl. C2).
3. Umetnite osovinicu ručice za brzo otpuštanje i zatvorite ručicu na objumici cijevi (sl. C3).
4. Pritegnite krilnu maticu za učvrstite objumicu cijevi (sl. C4).

C1-1	Cijev puhača lišća	C1-2	Objumica cijevi
C1-3	Ručica za brzo otpuštanje	C1-4	Krilna matica
C2-1	Cijev puhača lišća	C2-2	Cijev upravljačkog rukohvata
C2-3	Žlijeb	C2-4	Rebro
C3-1	Osovinica		

Spajanje konusne mlaznice sa cijevi puhača lišća

1. Poravnajte žlijeb u mlaznici s bravicom na cijevi. Gurajte mlaznicu preko cijevi dok sigurno ne ulegne u mjesto (sl. D1).
2. **Za uklanjanje mlaznice** pritisnite dugme za otpuštanje mlaznice i držite ga pritisnutim da deaktivirate bravicu i mlaznicu zatim povucite ravno sa cijevi puhača lišća (sl. D2).

D1-1	Dugme za otpuštanje mlaznice	D1-2	Bravica
------	------------------------------	------	---------

RAD

⚠ UPOZORENJE! Nemojte dozvoliti da vas poznavanje ovog proizvoda učini nepažljivim. Imajte na umu da je za nanošenje teških povreda dovoljan samo djelić sekunde nepažnje.

⚠ UPOZORENJE! Nemojte upotrebljavati priključke ili pribor koje nije preporučio proizvođač ovog proizvoda. Upotreba nepreporučenih priključaka ili pribora može rezultirati teškim tjelesnim povredama.

⚠ UPOZORENJE! Kada postavljate dijelove, obavljate radove podešavanja, čišćenja ili kada ne upotrebljavate proizvod, baterije uvijek izvadite iz proizvoda. Vađenjem baterija spriječit će se iznenadno pokretanje koje može rezultirati teškim tjelesnim povredama.

Prije svake upotrebe pregledajte cijeli proizvod u pogledu oštećenih dijelova, dijelova koji nedostaju ili otpuštenih dijelova, kao što su vijci, matice, matični vijci, kapice, itd. Dobro pritegnite sve pričvrstne elemente i kapice i nemojte upotrebljavati ovaj proizvod dok ne postavite sve dijelove koji nedostaju ili zamijenite sve oštećene dijelove.

PRIMJENA

Ovaj proizvod možete upotrebljavati za svrhe navedene u nastavku:

- Uklanjanje lišća i drugog vrtnog otpada s travnjaka i malčiranih gredica.
- Čišćenje čvrstih površina kao što su putevi i staze.
- Održavanje trijemova i puteva očišćenim od lišća i borovih iglica.

NAPOMENA! Alat se smije upotrebljavati samo za prethodno opisanu namjenu. Svaka druga upotreba smatra se nepropisnom upotrebom.

POSTAVLJANJE/UKLANJANJE KOMPLETA BATERIJA

Proizvod upotrebljavajte samo s EGO kompletima baterija i punjačima koji su navedeni na sl. A2.

Detaljne upute potražite u odgovarajućim priručnicima za komplete baterija i punjača.

Komplet baterija potpuno napunite prije prve upotrebe.

NAPOMENA! Za najbolji radni učinak preporučujemo upotrebu EGO kompleta baterija BA3360T (6,0 Ah) od 56 V ili bilo kojeg EGO kompleta baterija od 56 V većeg Ah kapaciteta.

Puhač lišća ima dva aktivna priključka za baterije na lijevoj i desnoj strani kućišta priključaka za baterije.

NAPOMENA! Puhač lišća može raditi s jednom baterijom ili dvije baterije. Upotreba dviju baterija omogućuje duže vrijeme rada i učinkovitu potrošnju energije kojom upravljaju tehnologija PEAK POWER™.

Kada se kompleti baterija umeću u odgovarajuće priključke za baterije označene s 1 ili 2 na pločici ledne baterije, a puhač lišća je uključen, na LCD ekranu svijetli odgovarajuća ikona baterije (sl. E1).

Postavljanje (sl. E2)

Poravnajte kontakte baterije s montažnim utorima i pritiščite komplet baterija prema dolje dok ne začujete zvuk "klikanja". Pričvrstite drugu bateriju.

Skidanje

Pritisnite dugme za oslobađanje baterije i izvucite komplet baterija.

⚠ UPOZORENJE! Kada pritiščete dugme za oslobađanje baterije, uvijek pazite gdje vam se nalaze stopala, djeca ili kućni ljubimci. U slučaju pada baterije može doći do teških povreda. Bateriju nemojte NIKADA vaditi kada se nalazite visokom položaju.

E1-1	Broj priključaka za baterije	E1-2	LCD ekran
E1-3	Ikona baterije	E2-1	Kontakt baterije
E2-2	Montažni utor	E2-3	Dugme za oslobađanje baterije

POZICIONIRANJE PUHAČA LIŠĆA S LEDNOM BATERIJOM

⚠ UPOZORENJE! Obucite se propisno kako biste umanjili rizik od povreda tokom rukovanja ovom mašinom. Nemojte nositi široku odjeću ili nakit. Nosite zaštitu za oči i uši/sluh. Nosite robusne duge hlače, čizme i rukavice. Nemojte nositi kratke hlače, sandale ili biti bosonogi.

Prije upotrebe puhača lišća s lednom baterijom pobrinite se da rukovalac nosi zaštitu za oči i odgovarajuću odjeću te da može da održava sigurno i uravnoteženo uporište.

Podešavanje sistema za nošenje na leđima

1. Provucite ruke kroz trake ledne baterije da poduprete puhač lišća na leđima.
2. Privremeno podesite obje ramene trake u ugodne položaje (sl. F1) vodeći računa da lakat bude u ugodnom položaju.
3. Zatvorite prsnu kopču i prema potrebi podesite dužinu prsne trake (sl. F2).
4. Zatvorite pojasnu kopču i podesite dužinu pojasne trake tako da vam kukovi dobro podupiru lednu bateriju (sl. F3 i F4).

NAPOMENA! Ledna baterija ne smije biti previsoko na vašim leđima; potrebno ju je pozicionirati bliže kukovima nego ramenima.

⚠ UPOZORENJE! U hitnom slučaju odmah otpustite kopče na prsima i struku da skinete traku ledne baterije sa svake strane. Ovo je metoda brzog otpuštanja.

5. Ponovo podesite ramene trake radi sigurnosti i udobnosti. Pobrinite se da ledna baterija bude dobro namještena na vašim leđima, tako da njenu masu podržava pojasna traka i da se previše ne pomjera kada se krećete (sl. F5).
6. Umetnite dodatnu dužinu trake oko pojasa u gumicu sa svake strane (sl. F6).
7. Za skidanje ledne baterije s leđa jednostavno pritisnite pojasnu i prsnu kopču da ih otpustite i spustite puhač lišća (sl. F7).

F1-1	Ramena traka	F2-1	Prsna kopča
F3-1	Pojasna kopča	F6-1	Gumica
F6-2	Dodatna dužina trake		

Podešavanje upravljačkog rukohvata

1. Otpustite ručicu za brzo otpuštanje da upravljački rukohvat prema potrebi pomaknete naprijed ili nazad (sl. G1 i G2), a zatim upotrijebite ručicu za brzo otpuštanje da učvrstite upravljački rukohvat u mjestu.
2. Rukohvat prema potrebi možete i okrenuti radi ugodnijeg položaja (sl. G3).

G1-1	Upravljački rukohvat	G1-2	Ručica za brzo otpuštanje
------	----------------------	------	---------------------------

Podešavanje dužine cijevi upravljačkog rukohvata (sl. H1, H2)

1. Otpustite ručicu za brzo otpuštanje.
2. Pomaknite cijev puhača lišća u ugodan radni položaj u okviru zone podešavanja (sl. H1).
3. Upotrijebite ručicu za brzo otpuštanje da cijev puhača lišća učvrstite u mjestu (sl. H2).

H1-1	Cijev puhača lišća	H1-2	Ručica za brzo otpuštanje
H2-1	Zona podešavanja		

POKRETANJE/ZAUSTAVLJANJE PUHAČA LIŠĆA

NAPOMENA! Puhač lišća možda se neće pravilno pokrenuti ako je komplet baterija ili puhač lišća izložen temperaturi od -15 °C ili nižoj. U tom slučaju izvadite komplet baterija iz puhača lišća i pričekajte 10 minuta ili duže da se komplet baterija i puhač lišća zagriju u zatvorenom prostoru. Postavite komplet baterija u puhač lišća i pokušajte ponovo.

Okidni prekidač za brzinu zraka (sl. I1, I2)

- Za uključivanje puhača lišća pritisnite okidni prekidač za brzinu zraka. Na LCD ekranu prikazat će se mjeraca goriva, ikona baterije i indikator brzine zraka.

NAPOMENA! Kada je nivo napunjenosti baterije nizak, na LCD ekranu treperi 1 LED indikator nivoa napunjenosti.

- Brzinom zraka puhača lišća upravlja se pomoću okidnog prekidača za varijabilnu brzinu. Veći pritisak na okidač rezultira višim brzinama puhanja, a manji pritisak na okidač nižim brzinama puhanja. Prilagodite brzinu trenutnom zadatku. Na LCD ekranu prikazuje se odgovarajući indikator brzine zraka.
- Za isključivanje puhača lišća otpustite okidni prekidač za brzinu zraka. LCD ekran se isključuje nakon određenog vremena po otpuštanju okidnog prekidača.

Turbo režim rada

Kada pritisnete okidni prekidač za brzinu zraka, pritisnite i dugme za turbo režim rada da povećate protok zraka na maksimalnu brzinu (sl. I1). Na LED ekranu svijetle indikator turbo režima rada i ikona ventilatora (sl. I3).

NAPOMENA! Kada se dugme za turbo režim rada otpusti, puhač lišća vraća se na prethodnu brzinu.

Režim rada održavanja brzine

Za rad puhača lišća bez kontinuiranog pritiska na okidni prekidač za brzinu zraka možete upotrebljavati funkciju održavanja brzine.

1. Pritišćite okidni prekidač za brzinu zraka dok ne dostignete željenu brzinu (sl. I1).
2. Pritisnite dugme za održavanje brzine. Na LED ekranu svijetli ikona održavanja brzine (sl. I4).
3. Zatim otpustite okidni prekidač za brzinu zraka i puhač lišća će nastaviti raditi na "željenoj" brzini. **NAPOMENA! Održavanje brzine zraka na maksimalnom nivou u režimu rada održavanja brzine obavlja se pritiskom na dugme turbo režima rada. Kada se još jednom pritisne dugme turbo režima rada, puhač lišća nastavlja raditi na prethodnoj brzini.**
4. Za izlazak iz režima održavanja brzine ponovo pritisnite dugme za održavanje brzine. Ikona održavanja brzine će nestati s LCD ekrana i puhač lišća će se isključiti.

I1-1	Dugme turbo režima rada	I1-2	Dugme za održavanje brzine
I1-3	Okidni prekidač za brzinu zraka	I2-1	Indikator napunjenosti
I2-2	Indikator brzine zraka	I2-3	Ikona baterije
I3-1	Ikona ventilatora	I3-2	Indikator turbo režima rada
I4-1	Ikona održavanja brzine		

KOMUNIKACIJSKA TEHNOLOGIJA

Za informacije o našoj cjelokupnoj ponudi povezanih proizvoda i usluga, uključujući upute za povezivanje, skenirajte QR kod u nastavku ili posjetite internetsku stranicu www.egopowerplus.eu/connect.



SAVJETI ZA UPOTREBU PUHAČA LIŠĆA

- Radi izbjegavanja rasipanja otpada, puhač lišća usmjeravajte oko vanjskih rubova hrpe otpada. Puhač lišća nemojte nikada usmjeravati u sredinu hrpe.
- Ograničite broj opreme koja se upotrebljava u isto vrijeme da smanjite nivo buke.
- Za odvajanje otpada prije otpuhivanja upotrebljavajte grablje i meće. U prašnjavim uslovima blago navlažite površine ako je voda dostupna.

- Pazite na djecu, kućne ljubimce, otvorene prozore ili svježije oprane automobile i na siguran način otpuštite otpad.
- Puhače lišća ili drugu opremu očistite nakon upotrebe! Propisno zbrinite otpad.

ODRŽAVANJE

⚠ UPOZORENJE! Kada obavljate radove servisiranja, upotrebljavajte samo identične zamjenske dijelove. Upotreba drugih dijelova može uzrokovati opasnost ili oštećenje proizvoda. Radi osiguranja sigurnosti i pouzdanosti, sve popravke treba obavljati kvalifikovani servisni tehničar.

⚠ UPOZORENJE! Radi izbjegavanja teških tjelesnih povreda, uvijek izvadite komplet baterija iz proizvoda prije obavljanja radova čišćenja ili održavanja.

OSNOVNO ODRŽAVANJE

Kada čistite plastične dijelove, izbjegavajte upotrebljavati rastvore. Mnoge plastike mogu se oštetiti različitim vrstama komercijalnih rastvora i mogu se oštetiti njihovom upotrebom. Za uklanjanje prljavštine, prašine, ulja, masti i sl. upotrebljavajte čiste krpe.

⚠ UPOZORENJE! Nemojte nikada dozvoliti da kočione tekućine, benzin, proizvodi na bazi nafte, penetrirajuća ulja i sl., dođu u kontakt s plastičnim dijelovima. Hemikalije mogu oštetiti, oslabiti ili uništiti plastiku, što može rezultirati teškim tjelesnim povredama.

⚠ UPOZORENJE! Radi smanjenja opasnosti od požara, tjelesnih povreda i oštećenja proizvoda uslijed kratkog spoja, mašinu, komplet baterija ili punjač nemojte nikada uranjati u tekućinu i nemojte dozvoliti da tekućina proдре u njih. Korozivne ili vodljive tekućine kao što su morska voda, neke industrijske hemikalije i izbjeljivač ili proizvodi koji sadrže izbjeljivač i sl. mogu izazvati kratki spoj.

SKLADIŠTENJE

- Izvadite komplet/e baterija iz puhača lišća.
- Očistite sav strani materijal iz ulaznih otvora za zrak puhača lišća.
- Poravnajte okretno dugme za skladištenje cijevi puhača lišća sa žlijebom za vješanje cijevi i zakačite cijev puhača lišća na kućište priključka za bateriju (sl. J1 i J2).
- Alat skladištite u zatvorenom prostoru na mjestu nedostupnom djeci. Alat držite podalje od korozivnih sredstava kao što su vrtna hemijska sredstva i soli za odmrzavanje.

J1-1	Okretno dugme za skladištenje cijevi puhača lišća	J1-2	Žlijeb za vješanje cijevi
------	---	------	---------------------------

Zaštita životne sredine



Električnu opremu, iskorištenu bateriju i punjač ne odlažite u kućni otpad! Ovaj proizvod odnesite u ovlaštenu centar za reciklažu i time omogućite odvojeno sakupljanje. Električne alate potrebno je vratiti u ekološki prihvatljiv pogon za reciklažu.

RJEŠAVANJE PROBLEMA

PROBLEM	UZROK	RJEŠENJE
Puhač lišća ne radi.	<ul style="list-style-type: none"> ■ Komplet baterija nije pričvršćen na puhač lišća. 	<ul style="list-style-type: none"> ■ Pričvrstite komplet baterija na puhač lišća.
	<ul style="list-style-type: none"> ■ Nema električnog kontakta između puhača lišća i baterije. 	<ul style="list-style-type: none"> ■ Izvadite komplet baterija, provjerite kontakte i ponovo stavite komplet baterija.
	<ul style="list-style-type: none"> ■ Komplet/i baterija je ispražnjen. 	<ul style="list-style-type: none"> ■ Napunite komplet baterija.
	<ul style="list-style-type: none"> ■ Komplet baterija ili puhač lišća je previše vruć. 	<ul style="list-style-type: none"> ■ Pričekajte da se komplet baterija i puhač lišća ohlade na temperaturu ispod 67 °C.
	<ul style="list-style-type: none"> ■ Oštećen okidni prekidač za brzinu zraka. 	<ul style="list-style-type: none"> ■ Za popravak se obratite centru korisničke službe proizvođača EGO.
	<ul style="list-style-type: none"> ■ Komplet baterija ili puhač lišća je previše hladan. 	<ul style="list-style-type: none"> ■ Izvadite komplet baterija i pričekajte da se komplet baterija i puhač lišća zagriju u zatvorenom prostoru. Preporučujemo da se komplet baterija potpuno napuni i da se puhač lišća pokrene na niskoj brzini bez aktivacije turbo režima rada.
Režim rada održavanja brzine ne može se uključiti niti isključiti.	<ul style="list-style-type: none"> ■ Oštećeno dugme za održavanje brzine. 	<ul style="list-style-type: none"> ■ Za popravak se obratite centru korisničke službe proizvođača EGO.
Brzina zraka je osjetno smanjena.	<ul style="list-style-type: none"> ■ Nivo napunjenosti baterije je nizak. 	<ul style="list-style-type: none"> ■ Napunite komplet baterija.
	<ul style="list-style-type: none"> ■ Prekomjerna istrošenost ventilatora motora. 	<ul style="list-style-type: none"> ■ Za popravak se obratite servisnom centru proizvođača EGO.
	<ul style="list-style-type: none"> ■ Ulazni otvor za zrak blokiran je naslagama. 	<ul style="list-style-type: none"> ■ Izvadite komplet baterija i očistite naslage.
LCD ekran ne radi ispravno.	<ul style="list-style-type: none"> ■ LCD ekran ili žičani priključak su oštećeni. 	<ul style="list-style-type: none"> ■ Za popravak se obratite servisnom centru proizvođača EGO.
Na LCD ekranu treperi 1 LED indikator nivoa napunjenosti.	<ul style="list-style-type: none"> ■ Nivo napunjenosti baterije je nizak. 	<ul style="list-style-type: none"> ■ Napunite komplet baterija.

GARANCIJA

POLITIKA GARANCIJE PROIZVOĐAČA EGO

Za sve odredbe i uslove politike garancije proizvođača EGO posjetite internetsku stranicu egopowerplus.eu.





استكشاف الأعطال وإصلاحها

المشكلة	السبب	الحل
المنفاخ لا يعمل.	■ مجموعة البطارية غير مركبة في المنفاخ.	■ قم بتركيب مجموعة البطارية في المنفاخ.
	■ لا يوجد اتصال كهربائي بين المنفاخ والبطارية.	■ اخلع مجموعة البطارية، وافحص التوصيلات، ثم أعد تركيب مجموعة البطارية.
	■ نفذ شحن مجموعة البطارية.	■ اشحن مجموعة البطارية.
	■ مجموعة البطارية أو المنفاخ ساخنان للغاية.	■ اترك مجموعة البطارية والمنفاخ يبردان إلى أن تصل درجة الحرارة إلى أقل من 67 درجة مئوية.
	■ زناد سرعة الهواء متضرر.	■ تواصل مع قسم خدمة العملاء بشركة EGO لإصلاح العيب.
المنفاخ لا يعمل.	■ مجموعة البطارية أو المنفاخ باردان للغاية.	■ قم بإخراج مجموعة البطارية من مكانها، ثم دع مجموعة البطارية والمنفاخ يدفنان داخل المنزل. من الموصى به شحن مجموعة البطارية بالكامل وتشغيل المنفاخ على سرعة منخفضة من دون تفعيل وضع "تريو".
	■ زر قفل السرعة متضرر.	■ تواصل مع قسم خدمة العملاء بشركة EGO لإصلاح العيب.
لا يمكن تشغيل وضع قفل السرعة أو إيقاف تشغيله.	■ شحن البطارية منخفض.	■ اشحن مجموعة البطارية.
يتم تقليل سرعة الهواء بشكل ملحوظ.	■ مروحة المحرك متهاكة بشكل زائد.	■ تواصل مع مركز صيانة شركة EGO لإصلاح العيب.
	■ مدخل الهواء مسدود بالعوالق.	■ اخلع مجموعة البطارية، ثم نظفها من العوالق.
شاشة LCD لا تعمل بشكل صحيح.	■ شاشة LCD أو توصيلات الأسلاك متضررة.	■ تواصل مع مركز صيانة شركة EGO لإصلاح العيب.
يومض مؤشر LED واحد من مقياس الوقود على شاشة LCD.	■ شحن البطارية منخفض.	■ اشحن مجموعة البطارية.

الضمان

سياسة ضمان EGO

تفضل بزيارة الموقع الإلكتروني egopowerplus.eu للتعرف على الشروط والأحكام الكاملة الخاصة بسياسة ضمان EGO.

الصيانة

⚠ تحذير: استخدم فقط قطع غيار أصلية عند إجراء أعمال الصيانة. لأن استخدام أي أجزاء أخرى قد ينشأ عنه خطر أو يتسبب في تعرض المنتج للتلوث. لضمان السلامة والاعتمادية، يجب تنفيذ جميع أعمال الإصلاح من قبل فني خدمة مؤهل.

⚠ تحذير: لتجنب التعرض لإصابات خطيرة، احرص دائماً على خلع مجموعة البطارية من المنتج عند تنظيفه أو إجراء أي أعمال صيانة عليه.

الصيانة العامة

تجنب استخدام المنظفات عند تنظيف الأجزاء البلاستيكية. غالبية المكونات البلاستيكية تكون سريعة التآثر بالأنواع المختلفة للمنظفات الموجودة بالسوق، وقد تتلف نتيجة استخدامها عليها. استخدم قطعة قماش نظيفة لإزالة الأوساخ والأتربة والزيت والشحم وما شابههم.

⚠ تحذير: لا تسمح في أي وقت من الأوقات بملامسة سوائل الفازلين أو المواد البترولية أو المنتجات القائمة على البترول أو الزيت المتفلغل أو ما شابههم للأجزاء البلاستيكية من المنتشر. لأن المواد الكيميائية قد تتسبب في تلف الأجزاء البلاستيكية أو وضعفها أو تدميرها، وهو ما قد يؤدي إلى وقوع إصابات خطيرة.

⚠ تحذير: للحد من خطر نشوب حريق، أو التعرض لإصابات شخصية، أو تلف المنتج بسبب حدوث دائرة قصر (ماس كهربائي)، لا تقم مطلقاً بغير الآلة أو مجموعة البطارية أو الشاحن في السوائل أو السماح للسوائل بالتدفق إلى داخلها. قد تسبب السوائل المسببة للتآكل أو الموصلة للكهرباء، مثل ماء البحر، وبعض المواد الكيميائية المتاحة تجارياً، والمبيضات أو المنتجات المحتوية على مبيضات، وما شابههم في حدوث دائرة قصر (ماس كهربائي).

التخزين

- اخلع مجموعة (مجموعات) البطارية من المنفاخ.
- نظف فتحات دخول الهواء الخاصة بالمنفاخ من جميع المواد الغريبة.
- قم بمحاذاة بكرة تخزين أنبوب المنفاخ مع تجويف تثبيت الأنبوب، وأشبك أنبوب المنفاخ في هيكل منفذ البطارية (الشكلان J1 و J2).
- يجب تخزين المنتج في مكان مغلق لا يمكن الوصول إليه من قبل الأطفال. احتفظ بالمنتج بعيداً عن المواد المسببة للتآكل مثل كيماويات الحديقة وملح إذابة الجليد.

J1-1	بكرة تخزين أنبوب المنفاخ	J1-2	تجويف تثبيت الأنبوب
------	--------------------------	------	---------------------

حماية البيئة

لا تتخلص من المعدات الكهربائية أو البطارية المستهلكة أو الشاحن في النفايات المنزلية! بل توجه بهذا المنتج إلى مركز إعادة تدوير معتمد ليكون متاحاً للفرز بشكل منفرد. يجب إعادة الآلات الكهربائية إلى مرفق إعادة تدوير صديق للبيئة.



1. اضغط على أسفل على زناد سرعة الهواء إلى أن تصل إلى السرعة المطلوبة (الشكل 11).
2. اضغط على زر قفل السرعة. ستضيء أيقونة قفل السرعة على شاشة LCD (الشكل 14).
3. ثم حرر زناد سرعة الهواء، وسيستمر المنفاخ في العمل على السرعة "المرغوبة".
ملاحظة: يمكن أن يؤدي الضغط على زر وضع "تربو" في أثناء وجودك في وضع قفل السرعة إلى تثبيت سرعة الهواء عند الحد الأقصى. سيعود المنفاخ إلى العمل بالسرعة السابقة عند الضغط على زر وضع "تربو" مرة واحدة.
4. لتحرير قفل السرعة، اضغط على زر قفل السرعة مرة أخرى. سوف تختفي أيقونة قفل السرعة عن شاشة LCD، وسيتم إيقاف تشغيل المنفاخ.

11-1	زر وضع "تربو"	11-2	زر قفل السرعة
11-3	زناد سرعة الهواء	12-1	مقياس الوقود
12-2	مؤشر سرعة الهواء	12-3	أيقونة البطارية
13-1	أيقونة المروحة	13-2	مؤشر وضع "تربو"
14-1	أيقونة قفل السرعة		

تكنولوجيا الاتصالات

لتتعرف على المعلومات الخاصة بالمجموعة الكاملة من المنتجات والخدمات القابلة للاتصال، بما في ذلك تعليمات تنفيذ الاتصال، يُرجى مسح رمز الاستجابة السريعة (QR) أدناه أو تفضل بزيارة الموقع الإلكتروني: www.egopowerplus.eu/connect



نصائح خاصة باستخدام المنفاخ

- لمنع نثر العوالق، قم بالنفخ حول الحواف الخارجية لكومة العوالق. لا تقم بتوجيه الهواء مباشرة نحو منتصف كومة العوالق.
- لخفض مستويات الصوت، عليك تقليل عدد أجزاء المعدات المستخدمة في كل مرة.
- استخدم الجرافات والمكانس لتفكيك العوالق قبل نفخها. في الظروف المترية، بلل الأسطح قليلاً عند توافر الماء.
- انتبه للأطفال أو الحيوانات الأليفة أو النوافذ المفتوحة أو السيارات المغسولة حديثاً، واحرص على نفخ العوالق بشكل آمن.
- بعد استخدام المنفاخ والمعدات الأخرى، قم بالتنظيف! تتخلص من العوالق كما ينبغي.

ضبط مقبض التحكم

1. حرر ذراع التحرير السريع لتحرير مقبض التحكم إلى الأمام أو الخلف حسب الحاجة (الشكلان G1 و G2)، ثم استخدم ذراع التحرير السريع لتثبيت المقبض في مكانه.
2. يمكنك أيضاً تدوير المقبض بحسب الحاجة لمزيد من الراحة (الشكل G3).

G1-1	مقبض التحكم	G1-2	ذراع التحرير السريع
------	-------------	------	---------------------

ضبط طول أنبوب مقبض التحكم (الشكلان H1 و H2)

1. حرر ذراع التحرير السريع.
2. حرك أنبوب المنفاخ إلى وضع تشغيل مريح في نطاق الضبط (الشكل H1).
3. قم بتعشيق ذراع التحرير السريع لتأمين أنبوب المنفاخ في مكانه (الشكل H2).

H1-1	أنبوب المنفاخ	H1-2	ذراع التحرير السريع
H2-1	نطاق الضبط		

بدء تشغيل/إيقاف المنفاخ

ملاحظة: قد لا يمكن بدء تشغيل المنفاخ كما ينبغي إذا كانت درجة حرارة مجموعة البطارية أو المنفاخ 15- درجة مئوية أو أقل. في هذه الحالة، قم بإزالة مجموعة البطارية من المنفاخ، واركب مجموعة البطارية والمنفاخ ليديفا في مكان داخل المنزل لمدة 10 دقائق أو أكثر. أعد تثبيت مجموعة البطارية في مكانها، ثم أعد المحاولة.

زداد سرعة الهواء (الشكلان 11 و 12)

- اضبط على زناد سرعة هواء المنفاخ لتشغيل المنفاخ، ثم ستعرض شاشة LCD مقياس الوقود وأيقونة البطارية ومؤشر سرعة الهواء.
- **ملاحظة:** يومض مؤشر LED واحد من مقياس الوقود على شاشة LCD عندما يكون مستوى شحن البطارية منخفضاً.
- يتم التحكم في سرعة هواء المنفاخ باستخدام زناد السرعة المتغيرة. كلما زاد الضغط على الزناد، ارتفعت سرعة النفخ؛ وكلما قل الضغط على الزناد، انخفضت سرعة النفخ. اضبط السرعة بحيث تلائم المهمة التي تقوم بها. سيتم عرض مؤشر سرعة الهواء المقابل على شاشة LCD.
- اترك زناد سرعة الهواء لإيقاف المنفاخ. سيتم إيقاف تشغيل شاشة LCD خلال فترة زمنية معينة بعد تحرير الزناد.

وضع "تربو"

في أثناء الضغط مع التثبيت على زناد سرعة الهواء، اضبط على زر وضع "تربو" لزيادة تدفق الهواء إلى السرعة القصوى (الشكل 11). سيضيء كل من مؤشر وضع "تربو" وأيقونة المروحة على شاشة LCD (الشكل 13).

ملاحظة: سيسود المنفاخ إلى العمل بالسرعة السابقة عند تحرير زر وضع "تربو".

وضع قفل السرعة

يمكن استخدام قفل السرعة لتشغيل المنفاخ من دون الضغط المستمر على زناد سرعة الهواء.

⚠ تحذير: احرص دائماً على الانتباه لموقع تدميك أو الأطفال أو الحيوانات الأليفة عند الضغط على زر تحرير البطارية. فقد تقع إصابات خطيرة إذا سقطت البطارية. لا تقم أبداً بخلع البطارية وانت في مكان شاهق الارتفاع.

E1-1	عدد منافذ البطارية	E1-2	شاشة LCD
E1-3	أيقونة البطارية	E2-1	دعامة البطارية
E2-2	فتحة التركيب	E2-3	زر تحرير البطارية

ضبط وضع المنفاخ المحمول على الظهر

⚠ تحذير: احرص على ارتداء ملابس ملائمة للحد من خطر التعرض لإصابات أثناء تشغيل هذه الآلة. لا ترتد ملابس أو مجوهرات غير ثابتة. ارتد أدوات حماية العينين والأذنين/السمع. احرص على ارتداء بنطال طويل قوي، وحذاء ذي رقيقة، وقفازات. لا ترتد بنطال قصيرة أو صنادل أو أن تكون حافي القدمين.

قبل استخدام المنفاخ (بالور) المحمول على الظهر، تأكد من أن المشغل يرتدي أدوات حماية للعينين وملابس مناسبة ويمكنه الحفاظ على مواضع أقدام ثابتة ومتوازنة.

ضبط حمالة الدعم

1. ضع ذراعك عبر أحزمة الحمل على الظهر لتدعم المنفاخ على ظهرك.
2. اضبط كلا حزامي الكتف بشكل مؤقت على أوضاع الحمل المريحة (الشكل F1)، مع التأكد من ارتياح كوعك.
3. اشبك إبزيم الصدر واضبط طول حزام الصدر عند اللزوم (الشكل F2).
4. اشبك إبزيم الخصر واضبط طول حزام الخصر بحيث تكون المجموعة المحمولة على الظهر مدعومة جيداً بأوراكك (الشكل F3 و F4).

ملاحظة: لا ينبغي وضع المجموعة المحمولة على الظهر في وضع مرتفع على ظهرك؛ بل يجب أن تكون أقرب إلى أوراكك عن اكتافك.

- **⚠ تحذير:** عند حدوث حالة طارئة، قم بتحرير إبزيمي الصدر والخصر على الفور لخلع حزام حقيبة الظهر من كل جانب. هذه هي طريقة التحرير السريع.
- 5. أعد ضبط أحزمة الكتف لمزيد من التأمين والراحة. تأكد من ثبات المجموعة المحمولة على الظهر بشكل آمن على ظهرك، بحيث يكون الوزن مدعوماً بحزام الخصر، وبدون حركة زائدة عند تحركك (الشكل F5).
- 6. أدخل أي طول زائد موجود في الحزام حول الخصر في الفتحات المطاطية على كلا الجانبين (الشكل F6).
- 7. لخلع حقيبة الظهر عن ظهرك، ما عليك سوى الضغط على إبزيمي الخصر والصدر لتحريرها وإنزال المنفاخ (الشكل F7).

F1-1	حزام الكتف	F2-1	إبزيم الصدر
F3-1	إبزيم الخصر	F6-1	مرن
F6-2	طول إضافي للحزام		

تجميع أنابيب المنفاخ

توصيل أنبوب مقبض التحكم بالمفصل المرن للمنفاخ

1. أدخل الطرف العلوي لأنبوب مقبض التحكم في المفصل المرن للمنفاخ حتى النهاية (الشكل B1).
2. اربط المسامير الموجودة بطوق التثبيت جيدًا في المفصل المرن للمنفاخ (الشكل B2).

B1-1	المفصل المرن	B1-2	طوق التثبيت
B1-3	الطرف العلوي	B1-4	أنبوب مقبض التحكم
B2-1	مسمار		

توصيل أنبوب المنفاخ في أنبوب مقبض التحكم

1. قم بفك وإزالة ذراع التحرير السريع والصامولة المنحثة من مجموعة مشبك الأنابيب المثبتة في أنبوب المنفاخ (الشكل C1).
2. قم بمحاذاة التجويف الموجود في أنبوب المنفاخ مع الدعامة الموجودة في أنبوب مقبض التحكم، أدخل أنبوب المنفاخ في أنبوب مقبض التحكم حتى النهاية (الشكل C2).
3. أدخل دبوس ذراع التحرير السريع، وأغلق الذراع على مشبك الأنبوب (الشكل C3).
4. اربط الصامولة المنحثة لتثبيت مشبك الأنبوب (الشكل C4).

C1-1	أنبوب المنفاخ	C1-2	مشبك الأنبوب
C1-3	ذراع التحرير السريع	C1-4	صامولة منحثة
C2-1	أنبوب المنفاخ	C2-2	أنبوب مقبض التحكم
C2-3	تجويف	C2-4	دعامة
C3-1	وتد التثبيت		

توصيل الفوهة المخروطية في أنبوب المنفاخ

1. قم بمحاذاة التجويف الموجود بالفوهة مع اللسان الموجود بالأنبوب. ادفع الفوهة في الأنبوب إلى أن تثبت في مكانها بإحكام (الشكل D1).
2. لإزالة الفوهة، اضغط مع التثبيت على زر تحرير الفوهة لفك تشبيك اللسان، ثم اسحب الفوهة إلى الخارج مباشرة من أنبوب المنفاخ (الشكل D2).

D1-1	زر تحرير الفوهة	D1-2	مزلاج
------	-----------------	------	-------

التشغيل

تحذير: لا تسمح لاعتيادك على تشغيل هذا المنتج أن يجعلك مستهينًا عند التعامل معه. ولا تنس أن الاستهتار لجزء من الثانية كافٍ للتسبب في حدوث إصابات خطيرة.

تحذير: لا تستخدم أي مرفقات أو ملحقات سوى تلك الموصى بها من قبل الشركة الصانعة لهذا المنتج. لأن استخدام مرفقات أو ملحقات غير موصى بها قد يؤدي إلى وقوع إصابات شخصية خطيرة.

تحذير: احرص دائمًا على خلع البطاريات من المنتج عند تجميع الأجزاء، أو عمل التعديلات، أو التنظيف، أو عند عدم الاستخدام. خلع البطاريات سيمنع بدء التشغيل غير المقصود، وهو ما قد يؤدي إلى وقوع إصابات شخصية خطيرة.

قبل كل استخدام، افحص المنتج بأكمله بحثًا عن الأجزاء التالفة أو المفقودة أو المفككة، مثل المسامير الملوية والصواميل والمسامير والأغطية وما شابه. اربط جميع عناصر التثبيت والأغطية بإحكام، ولا تقم بتشغيل هذا المنتج إلا بعد استبدال جميع الأجزاء المفقودة أو التالفة.

الاستخدام

يمكنك استخدام هذا المنتج للأغراض الموضحة أدناه:

- إزالة أوراق الشجر والعوالم المختلفة من المروج وأسطح توزيع العشب المجزور.
 - تنظيف الأسطح الصلبة، مثل الطرقات الخاصة والممشى.
 - المحافظة على خلو الأرضيات والطرقات الخاصة من أوراق الشجر وأوراق شجر الصنوبر.
- ملاحظة:** يجب استخدام الآلة للغرض المحدد لها فقط. أي استخدام آخر يعد حالة من حالات سوء الاستخدام.

تركيب/خلع مجموعة البطارية

لا تستخدم الآلة إلا مع مجموعات بطارية وشواحن EGO المدرجة في الشكل A2.

راجع دلائل تشغيل البطاريات والشواحن ذات الصلة للتعرف على مزيد من التفاصيل.

اشحن البطارية بالكامل قبل الاستخدام لأول مرة.

ملاحظة: لتحقيق أفضل أداء، نوصي باستخدام مجموعة بطارية EGO من الطراز BA3360T بجهد 56 فولت (سعة 6.0 أمبير في الساعة) أو أي مجموعات بطارية أخرى من EGO بجهد 56 فولت ذات سعة عالية.

يحتوي المنفاخ على منفذين نشطين للبطارية على الجانب الأيسر والأيمن من هيكل منفذ البطارية.

ملاحظة: يمكن أن يعمل المنفاخ ببطارية واحدة أو ببطارتين. استخدام بطارتين يمنحك وقت تشغيل أطول وكفاءة استهلاك للطاقة أعلى تتم إدارتها من خلال تقنية PEAK POWER™.

عندما يتم إدخال مجموعات البطاريات في منافذ البطارية المخصصة المميزة بالرقم 1 أو 2 في لوحة الحمل على الظهر، ويتم تشغيل المنفاخ، سيضيء رمز البطارية المقابل على شاشة LCD (الشكل E1).

للتثبيت (الشكل E2)

قم بمحاذاة دعامة البطارية مع فتحات التركيب في أحد المنفذين، واضغط على مجموعة البطارية إلى أسفل إلى أن تسمع صوت "نقرة". قم بتركيب البطارية الأخرى.

للخلع

اضغط إلى أسفل على زر تحرير البطارية، واسحب مجموعة البطارية إلى الخارج.

قائمة المحتويات (الشكل A1)
الوصف
تعرف على المنفاخ (الشكل A1)

1. حاملة دعم قابلة للضبط
2. بكرة تخزين أنبوب المنفاخ
3. لوحة الحمل على الظهر
4. مقبض التحكم
5. الفوهة المخروطية
6. أنبوب المنفاخ
7. أنبوب مقبض التحكم
8. المفصل المرن
9. مدخل الهواء
10. مقبض المساعدة
11. الوصلات الكهربائية
12. مزلاج
13. أزرار تحرير البطارية
14. المقبض
15. زر قفل السرعة
16. شاشة LCD
17. زر وضع "تربو"
18. زناد سرعة الهواء
19. تجويف تثبيت الأنبوب
20. أذرع التحرير السريع
21. مؤشر البلوتوث
22. مقياس الوقود
23. أيقونة المروحة
24. مؤشر وضع "تربو"
25. مؤشر سرعة الهواء
26. أيقونة قفل السرعة
27. أيقونة البطارية

الجهد الكهربى	56 فولت	
الحد الأقصى لكمية الهواء	1360 م ³ /ساعة	
الحد الأقصى لسرعة الهواء	85 م/ثانية	
الحد الأقصى لقوة النفخ	26 نيوتن	
متوسط مدة التشغيل	مع مجموعتي بطارية 6.0 أمبير في الساعة	24 دقيقة (وضع "تربو") 32 دقيقة (سرعة عالية)
	مع مجموعتي بطارية 7.5 أمبير في الساعة	120 دقيقة (سرعة منخفضة) 30 دقيقة (وضع "تربو") 40 دقيقة (سرعة عالية)
	مع مجموعتي بطارية 10 أمبير في الساعة	150 دقيقة (سرعة منخفضة) 40 دقيقة (وضع "تربو") 52 دقيقة (سرعة عالية)
	مع مجموعتي بطارية 12 أمبير في الساعة	200 دقيقة (سرعة منخفضة) 48 دقيقة (وضع "تربو") 63 دقيقة (سرعة عالية) 240 دقيقة (سرعة منخفضة)
	نطاق تردد تشغيل البلوتوث	2400 - 2438 ميجاهرتز
	الطاقة القصوى لبث البلوتوث	5 ديسيبل ميلي واط
	الوزن (من دون وحدة البطارية)	7.7 كجم
	درجة حرارة التشغيل الموصى بها	15- إلى 40 درجة مئوية
	درجة حرارة التخزين الموصى بها	20- إلى 70 درجة مئوية
	مستوى قوة الصوت المُقَدَّر L _{WA}	97 ديسيبل(أ) 1.1=K ديسيبل(أ)
مستوى ضغط الصوت عند أذن مُشغل الآلة L _{PA}	82 ديسيبل(أ) 3=K ديسيبل(أ)	
مستوى قوة الصوت المضمون L _{WA} (تم قياسه وفقاً للمعيار 2000/14/EC)	98 ديسيبل(أ)	
الاهتزاز a _n	0.35 م/ثانية ² 1.5=K م/ثانية ²	

التجميع

⚠ تحذير: إذا حدث تلف أو فقد في أي أجزاء، لا تقم بتشغيل هذا المنتج إلا بعد استبدال الأجزاء. استخدام هذا المنتج مع وجود أجزاء تالفة أو مفقود قد يؤدي إلى وقوع إصابات شخصية خطيرة.

⚠ تحذير: لا تحاول إجراء أي تعديلات على هذا المنتج أو ابتداء ملحقات غير موصى بها للاستخدام مع هذا المنفاخ. أي تغيير أو تعديل من هذا النوع يعتبر سوء استخدام، وقد يؤدي إلى وضع خطير قد يتسبب في وقوع إصابات شخصية خطيرة محتملة.

⚠ تحذير: لمنع بدء التشغيل غير المقصود، والذي قد يؤدي إلى وقوع إصابات شخصية خطيرة، احرص دائماً على خلع البطاريات من الآلة عند تجميع الأجزاء.

- القيمة الكلية للاهتزاز الموضحة تم قياسها وفقاً لطريقة اختبار قياسية وقد تستخدم لمقارنة أداة بأخرى؛
- كما يمكن استخدام القيمة الكلية للاهتزاز الموضحة في التقييم التمهيدي للتعرض.

ملاحظة: قد تختلف انبعاثات الاهتزاز أثناء الاستخدام الفعلي للآلة العاملة بالطاقة عن القيمة المعلنة التي يتم استخدام الآلة فيها؛ ولحماية مشغل الآلة، ينبغي على المستخدم ارتداء قفازات وواقبات للأذن في ظروف الاستخدام الفعلية.

اقرأ جميع التعليمات!

اقرأ دليل التشغيل



تحذير: لضمان السلامة والاعتمادية، يجب تنفيذ جميع أعمال الإصلاح من قبل فني خدمة مؤهل.

رموز السلامة

الغرض من رموز السلامة هو جذب انتباهك إلى المخاطر المحتملة. رموز السلامة والشروح المصاحبة لها تستحق اهتمامك وفهمك الدقيق. تحذيرات كل رمز، بنفسها، لا تمنع وقوع أي خطر. التعليمات والتحذيرات التي تمنحك إياها لا تعد بديلاً عن تطبيق الإجراءات الملائمة لمنع وقوع الحوادث.

تحذير: احرص على قراءة وفهم جميع تعليمات السلامة في دليل التشغيل هذا، بما في ذلك جميع رموز تنبيهات السلامة، مثل **خطر**، و**تحذير**، وتنبيه قبل استخدام هذه الآلة. عدم اتباع جميع التعليمات الواردة أدناه قد يؤدي إلى حدوث صدمة كهربائية أو نشوب حريق أو التعرض للإصابة الشخصية، أحدها أو جميعها.

معنى الرمز

تحذير: رمز تنبيه السلامة: يشير إلى خطر أو تحذير أو تنبيه، وقد يتم استخدامه بشكل متزامن مع الرموز أو الصور الكتابية الأخرى.

تعليمات السلامة

هذه الصفحة تصف وتشرح رموز السلامة التي قد تظهر على هذا المنتج. اقرأ جميع التعليمات المذكورة على الآلة وافهمها واتبعها قبل محاولة تجميع الآلة وتشغيلها.

للحد من خطر الإصابة، يجب على المستخدم قراءة دليل التشغيل قبل استخدام هذا المنتج.



تنبيه سلامة



ارتد دائماً نظارات الحماية المزودة بواقيات على الجانبين، وينبغي ارتداء واقي لكامل الوجه أثناء تشغيل هذا المنتج.



احرص دائماً على ارتداء أدوات حماية الأذنين عند تشغيل هذا المنتج.



هذا المنتج متوافق مع توجيهات شهادة الجودة الأوروبية (CE) المعمول بها.



احتفظ بجميع الأشخاص المجاورين لك على مسافة لا تقل عن 15 مترًا عن مكان العمل.



لا يجب التخلص من الأجهزة الكهربائية المستهلكة في النفايات المنزلية. توجه بالجهاز إلى مركز إعادة تدوير معتمد.



هذا المنتج متوافق مع تشريعات المملكة المتحدة المعمول بها.



رمز البلوتوث®



تيار مستمر



مستوى قوة الصوت المضمون. انبعاثات الضوضاء في البيئة وفقاً لتوجيه الاتحاد الأوروبي.



IPX5 الحماية من نفثات الماء

kg كيلوجرام

V الجهد الكهربائي

m³/h متر مكعب في الساعة

C° درجة مئوية

m/s متر في الثانية

N نيوتن

בעיה	סיבה	פתרון
מהירות האוויר מופחתת במידה ניכרת.	▪ רמת טעינת הסוללה נמוכה.	▪ הטעינו את מארז הסוללה.
	▪ בלאי מוגבר של מאורר המנוע.	▪ צרו קשר עם שירות EGO לתיקון.
מסך ה-LCD אינו פועל כראוי.	▪ פתח כניסת האוויר חסום על ידי פסולת.	▪ הסירו את מארז הסוללה, ואז נקו את הפסולת.
	▪ מסך LCD או חיבור חוטי פגומים.	▪ צרו קשר עם שירות EGO לתיקון.
נורית LED אחת של מד הדלק במסך ה-LCD מהבהבת.	▪ רמת טעינת הסוללה נמוכה.	▪ הטעינו את מארז הסוללה.

אחריות

מדיניות האחריות של EGO

ניתן לבקר באתר egopowerplus.eu כדי לעיין בתנאים וההתניות המלאים של מדיניות האחריות של EGO.

תחזוקה כללית

הימנע משימוש בממסים כאשר אתה מנקה את חלקי הפלסטיק. רוב חלקי הפלסטיק עלולים להיזק מסוגים שונים של ממסים מסחריים ועל ידי השימוש בהם. השתמש במטליות נקיות על מנת להסיר לכלוך, אבק, שמן, חומר סיכה וכו'.

⚠ אזהרה: לעולם אל תיתנו לנוזלי בלימה, בנזין, מוצרים מבוססי בנזין, שמנים וכו', לבוא במגע עם חלקי פלסטיק. חומרים כימיים עלולים להזיק, להחליש או להרוס את הפלסטיק והדבר עלול לגרום לפציעה אישית חמורה.

⚠ אזהרה: על מנת להפחית את הסיכוי לשרפה, פציעה אישית ולא לגרום לנזק בשל קצר חשמלי, לעולם אין לטבול את המכונה, את הסוללה או את המטען בתוך נוזלים ואין לאפשר לנוזלים כלשהם לזרום לתוכם. נוזלים הגורמים לקורוזיה או נוזלים מולכים, כגון מי ים, כימיקלים תעשייתיים מסוימים ומלבינים או מוצרים המכילים מלבינים, עלולים לגרום לקצר.

אחסון

- הסירו את מארזי הסוללה מהמפוח.
- נקו את כל החומרים הזרים מפתחי כניסת האוויר של המפוח.
- יישרו את ידית אחסון צינור המפוח עם חריץ תליית הצינור ותלו את צינור המפוח על גבי גוף יציאת תא הסוללה (איור J1 ו-J2).
- אחסנו את הכלי במקום סגור הרחק מהישג ידם של ילדים. הרחיקו מחומרים הגורמים לקורוזיה כגון כימיקלים לגינה ומלחים מסירי קרח.

J1-1	ידית אחסון צינור המפוח	J1-2	חריץ תליית הצינור
------	------------------------	------	-------------------

הגנה על הסביבה

אין לזרוק ציוד חשמלי, מטעני סוללות וסוללות ביחד עם אשפה ביתית! קחו מוצרים אלו למרכז מחזור מוסמך ו-וודאו שהם זמינים לאיסוף נפרד. יש להחזיר כלים חשמליים אל מתקן מחזור ידידותי לסביבה.



איתור וטיפול בבעיות

בעיה	סיבה	פתרון
המפוח אינו עובד.	מארז הסוללה איננו מחובר למפוח.	חברו את מארז הסוללה אל המפוח.
	לא מתבצע חיבור חשמלי בין המפוח לסוללה.	הסירו את מארז הסוללה, בדקו את החיבורים והתקינו מחדש את מארז הסוללה.
	טעינת מארז הסוללה ריקה.	הטעינו את מארז הסוללה.
	מארז הסוללה או המפוח חמים מדי.	קרוו את מארז הסוללה או המפוח עד לטמפרטורה של פחות מ-67°C.
	הדק מהירות אוויר פגום.	צרו קשר עם מחלקת שירות הלקוחות של EGO לתיקונים.
לא ניתן להפעיל או לכבות את מצב נעילת המהירות.	מארז הסוללה או המפוח קרים מדי.	הסרו את מארז הסוללות, אפשר למארז הסוללות ולמפוח להתחמם בתוך הבית. מומלץ לטעון את מארז הסוללות במלואו ולהפעיל את המפוח במהירות נמוכה מבלי להפעיל את מצב טורבו.
	לחצן נעילת מהירות פגום.	צרו קשר עם מחלקת שירות הלקוחות של EGO לתיקונים.

לחץ טורבו	11-1	לחץ טורבו	1-2	לחץ נעילת מהירות
הדק מהירות האוויר	11-3	הדק מהירות האוויר	12-1	מד דלק
מחונן מהירות-אוויר	12-2	מחונן מהירות-אוויר	12-3	סמל סוללה
סמל מאורר	13-1	סמל מאורר	13-2	מחונן טורבו
סמל נעילת מהירות	14-1	סמל נעילת מהירות		

טכנולוגיית תקשורת

למידע או עבור המגוון המלא של המוצרים והשירותים המחוברים שלנו, כולל הוראות חיבור, אנא סרוקו את קוד ה-QR למטה או בקרו בכתובת www.egopowerplus.eu/connect.



טיפים לשימוש במפוח

- כדי להימנע מפיזור הפסולת, נשפו סביב הקצוות הייצוניים של ערימת פסולת. לעולם אל תנשפו ישירות למרכז הערימה.
- להפחתת רמות הרעש, הגבילו את מספר חלקי הציוד המשמשים בבת אחת.
- השתמשו במגרפות ומטאטאים לשחרור הפסולת לפני השימוש במפוח. בתנאי אבק, הרכיבו מעט את המשטחים אם יש מים בנמצא.
- שימו לב לילדים, חיות מחמד, חלונות פתוחים או מכונות שה עתה נשטפו, ונשפו את הפסולת הרחק משם בבטחה.
- לאחר שימוש במפוחים או בציוד אחר, נקו אחריכם! השליכו את הפסולת כראוי.

תחזוקה

- ⚠ אזהרה:** במקרה של עבודות תיקון, השתמש רק בחלקי חילוף זהים. שימוש בחלקי חילוף אחרים עלול לגרום לסכנה או נזק למוצר. על מנת להבטיח בטיחות ואמינות, יש לבצע את כל התיקונים וההחלפות בעזרת טכנאי שירות מוסמך.
- ⚠ אזהרה:** על מנת למנוע פציעות אישיות, הסר תמיד את מארז הסוללה מן המוצר לפני הניקיון או ביצוע כל עבודת תחזוקה.

הפעלה/כיבוי של המפוח

הערה: ייתכן שהמפוח לא יופעל כראוי אם טמפרטורת מארז הסוללות או המפוח היא 15°C או פחות. במקרה זה, יש להסיר את מארז הסוללות מהמפוח, לאפשר למארז הסוללות ולמפוח להתחמם בתוך הבית למשך 10 דקות או יותר. התקינו מחדש את מארז הסוללות ונסו שוב.

הדק מהירות אוויר (איור 11 ו-12)

- לחצו על הדק מהירות האוויר כדי להפעיל את המפוח, ואז מסך ה-LCD יציג את מד הדלק, את סמל הסוללה ואת מחונן מהירות האוויר.
- הערה:** נורת LED אחת של מד הדלק במסך ה-LCD מהבהבת כאשר טעינת הסוללה נמוכה.
- מהירות האוויר של המפוח מבוקרת על ידי הדק המהירות המשתנה. לחץ נוסף על ההדק גורם למהירויות נשיפה גבוהות יותר, לחץ מופחת על ההדק גורם למהירויות נשיפה נמוכות יותר. התאימו את המהירות כך שתתאים למשימה הנוכחית. מחונן מהירות האוויר המתאים יוצג על גבי מסך ה-LCD.
- שחררו את הדק מהירות האוויר כדי לכבות את המפוח. מסך ה-LCD יכבה תוך פרק זמן מסוים לאחר שחרור ההדק.

מצב טורבו

בזמן שהדק מהירות האוויר נלחץ ומוחזק, לחצו על לחצן הטורבו כדי להגביר את זרימת האוויר למהירות המרבית (איור 11). הן מחונן הטורבו והן סמל המאורר מוארים על גבי מסך ה-LCD (איור 13).

הערה: המפוח יחזור למהירות הקודמת עם שחרור כפתור הטורבו.

מצב נעילת מהירות

- ניתן להשתמש בנעילת המהירות כדי להפעיל את המפוח ללא לחיצוץ בריציפות על הדק מהירות האוויר.
- לחצו על הדק מהירות האוויר עד שתגיעו למהירות הרצויה (איור 11).
 - לחצו על לחצן נעילת המהירות. סמל נעילת המהירות יאיר על גבי מסך ה-LCD (איור 14).
 - לאחר מכן שחררו את הדק מהירות האוויר, המפוח ימשיך לפעול במהירות ה"רצויה".
- הערה:** לחיצה על כפתור הטורבו במצב נעילת מהירות יכולה לנעול את מהירות האוויר אל הרמה המרבית. המפוח יחזור למהירות הקודמת כאשר תלחצו שוב על כפתור הטורבו.
- כדי לשחרר את נעילת המהירות, לחצו שוב על לחצן נעילת המהירות. סמל נעילת המהירות ייעלם ממסך ה-LCD והמפוח יכבה.

הערה: תיק הגב אינו אמור לשבת במיקום גבוה מיד על גבכם, עליו להיות מונח קרוב יותר למומנטים מאשר לכתפיים.

⚠ אזהרה: במקרה חירום, שחררו מיד את אבזמי החזה והמומנטים כדי להסיר את רצועת התרמיל מכל צד. זוהי שיטת שחרור מהיר.

5. התאימו מחדש את רצועות הכתף לבטיחות ונוחות. וודאו שתיק הגב יושב בבטחה על גבכם, כשהמשקל נתמך על ידי רצועת המותן, וללא תזוזה יתירה כאשר אתם זזים (איור F5).

6. הכניסו את כל האורך העודף של הרצועה סביב המותן לתוך הרצועה האלסטית בשני הצדדים (איור F6).

7. כדי לנתק את התרמיל מגבכם, פשוט לחצו את אבזמי החזה והמותן כדי לשחרר אותם ולהוריד את המפוח (איור F7).

F1-1	רצועת כתף	F2-1	אבזם חזה
F3-1	אבזם מותן	F6-1	אלסטי
F6-2	אורך עודף של הרצועה		

על מנת להתאים את ידית הבקרה

1. שחררו את הידית לשחרור מהיר כדי להזיז את ידית הבקרה קדימה או אחורה לפי הצורך (איור G1 ו-G2) ולאחר מכן הפעילו את ידית השחרור המהיר כדי לאבטח את ידית הבקרה במקומה.

2. תוכלו גם לשוב את הידית לפי הצורך למען נוחותכם (איור G3).

G1-1	ידית בקרה	G1-2	מנוף לשחרור הידית
------	-----------	------	-------------------

על מנת להתאים את אורך הצינור של ידית הבקרה (איור H1, H2)

- שחררו את ידית השחרור המהיר.
- הזיזו את צינור המפוח למצב הפעלה נוח בתוך אזור ההתאמה (איור H1).
- הפעילו את ידית השחרור המהיר כדי לאבטח את צינור המפוח במקומו (איור H2).

H1-1	צינור המפוח	H1-2	מנוף לשחרור הידית
H2-1	אזור התאמה		

הערה: המפוח יכול לפעול עם סוללה אחת או עם שתי סוללות. שימוש בשתי סוללות מעניק לכם זמן הפעלה ארוך יותר וצריכת חשמל יעילה המנוהלת על ידי טכנולוגיית PEAK POWER™.

כאשר מארזי הסוללות מוכנסים ליציאות הסוללה המתאימות המסומנות ב-1 או 2 על גבי לוחית התרמיל, והמפוח מופעל, סמל הסוללה המתאים יואר על מסך ה-LCD (איור E1).

להצמדה (איור E2)

יישרו את עורקי הסוללה עם חריצי ההרכבה ולחצו את מארז הסוללה כלפי מטה עד הישעם "קליק". חברו את הסוללה השנייה.

הסרה

לחצו על כפתור שחרור הסוללה והסירו את מארז הסוללה

⚠ אזהרה: שימו לב תמיד אל המיקום של הרגליים שלכם, מיקום ילדים או חיות מחמד, בעת לחיצה על כפתור שחרור הסוללה. עלולה להיגרם פציעה חמורה אם הסוללה תיפול. לעולם אל תסירו את הסוללה במקומות גבוהים.

E1-1	מספר יציאות סוללה	E1-2	מסך LCD
E1-3	סמל סוללה	E2-1	עורק הסוללה
E2-2	חריץ הרכבה	E2-3	כפתור שחרור סוללה

הצבת מפוח הגב

⚠ אזהרה: לבשו בגדים מתאימים על מנת להפחית את הסיכון לפציעות בעת השימוש במכונה זו. אין ללבש בגדים רפויים או תכשיטים. השתמשו בהגנה לעיניים / אוזניים. לבשו מכנסיים כבדים, ארוכים, מגפיים וכפפות. אל תלבשו מכנסיים קצרים, סנדלים ואל תפעילו כאשר אתם יחפים.

לפני השימוש במפוח התרמיל, יש לוודא כי המפעיל לובש מגני עיניים וביגוד מתאים ויכול לשמור על בסיס בטוח ומאוזן.

להתאמת רתמת התמיכה

- השחילו את רצועותיכם לרצועות תיק הגב כדי לתמוך במפוח על גבכם.
- התאימו באופן זמני את רצועות שתי הכתפיים לתנוחה נוחה (איור F1) והבטיחו את נוחות המרפק שלכם.
- הצמידו את אבזם החזה והתאימו את אורך רצועת החזה אם יש צורך בכך (איור F2).
- הצמידו את אבזם המותניים וכווננו את אורך רצועת המותניים כך שהתרמיל ייתמך היטב באמצעות הירכיים (איור F3 ו-F4).

D1-1	לחצן לשחרור זרוביית	D1-2	בריה
------	---------------------	------	------

הפעלה

⚠ אזהרה: אל תניח לעובדה שאתה מכיר את המוצר להפוך אותך לפחות זהיר. זכור שחוסר זהירות של שבריר אחד של שנייה מספיק כדי לגרום לפגיעה אישית חמורה.

⚠ אזהרה: אין לעשות שימוש בחיבורים או אביזרים אשר לא הומלצו על ידי יצרן מוצר זה. השימוש בחיבורים או אביזרים אשר לא הומלצו עלול לגרום לפגיעה חמורה.

⚠ אזהרה: הסירו תמיד את הסוללות מן המכשיר בעת הרכבת חלקים, ביצוע התאמות, ניקיון או כאשר המכשיר איננו נמצא בשימוש. על מנת למנוע הפעלה מקרית אשר עלולה להוביל לפגיעה אישית חמורה, הסירו תמיד את הסוללות מן המכשיר.

לפני כל שימוש בדקו את כל המוצר עבור חלקים פגומים, משוחררים או חסרים, כגון ברגים, אומים, בריחים, מכסים וכו'. הדקו בבטחה את כל האבזמים והמכסים ואל תפעילו את המוצר עד אשר חלקים חסרים או ניזוקים תוקנו או החולפו.

יישום

ניתן להשתמש במוצר אך ורק לצורך המטרות המפורטות להלן:

- פינוי עלים ופסולת חצר שונות ממדשאות ומיטות גבבה.
- פינוי משטחים קשים, כגון דרכי גישה ברגל או ברכב.
- שמירה על דרכי גישה ומשטחי עץ פנויים מעלים ומחטי אורן.

הודעה: יש להשתמש במכשיר רק עבור המטרות להן הוא יועד. כל שימוש אחר ייחשב לשימוש בלתי הולם.

הצמדה/הסרה של מארז הסוללה

יש להשתמש רק במארזי הסוללה והמטענים של EGO המפורטים באיור A2.

עיינו במדריכי הסוללות והמטענים התואמים לפרטים נוספים.

יש לבצע הטענה מלאה לפני השימוש הראשון.

הודעה: לקבלת הביצועים הטובים ביותר, אנו ממליצים להשתמש במארז הסוללה EGO 56V BA3360T (Ah 6.0) או במארזי סוללות EGO אחרים של 56V עם דירוג Ah גבוה יותר.

למפוח שתי יציאות סוללה פעילות הנמצאות בצד שמאל וימין של תא יציאת הסוללות.

⚠ אזהרה: אל תנסו לשנות את המוצר או ליצור אביזרים אשר אינם מומלצים לשימוש ביחד עם המפוח. כל שינוי או הוספה מהווים שימוש לא נכון במכשיר ועלול ליצור תנאים מסוכנים שעלולים להוביל לפגיעה אישית.

⚠ אזהרה: על מנת למנוע הפעלה מקרית אשר עלולה להוביל לפגיעה אישית חמורה, הסירו תמיד את הסוללות מן המכשיר בעת הרכבת חלקים.

הרכבת צינורות המפוח

חיבור צינור ידית הבקרה למפוח

1. הכניסו את הקצה העליון של צינור ידית הבקרה לתוך המפוח ככל שניתן (איור B1).
2. הדקו בבטיחות את הבורג בצווארון ההידוק הצמוד למפוח (איור B2).

B1-1	מפוחים	B1-2	צווארון הידוק
B1-3	קצה עליון	B1-4	צינור ידית בקרה
B2-1	בורג		

חיבור צינור המפוח לצינור ידית הבקרה

1. שחררו והסירו את ידית השחרור המהיר ואת אום הכנף ממכלול הידוק הצינור הצמוד לצינור המפוח (איור C1).
2. יישרו את החרץ בצינור המפוח עם הצלע על צינור ידית הבקרה, החליקו את צינור המפוח מעל צינור ידית הבקרה עד כמה שניתן איור C2).
3. הכניסו את הסיכה של ידית השחרור המהיר וסגרו את הידית על מהדק הצינור איור C3).
4. הדקו את אום הכנף כדי לאבטח את מהדק הצינור (איור C4).

C1-1	צינור המפוח	C1-2	מהדק צינור
C1-3	מנוף לשחרור הידית	C1-4	אום כנף
C2-1	צינור המפוח	C2-2	צינור ידית בקרה
C2-3	חרץ	C2-4	עורק
C3-1	סיכה		

חיבור הזרוביית המחודדת לצינור המפוח

1. יישרו את החרץ בזרוביית עם הבריה על גבי הצינור. דחפו את הזרוביית מעל הצינור עד שהיא תינעל במקומה (איור D1).
2. **על מנת להסיר את הזרוביית,** לחצו והחזיקו את לחצן שחרור הפיה כדי לנתק את הבריה, ואז משכו את הפיה הישר מצינור המפוח (איור D2).

ניתן להשתמש בערך הרטט הכללי המוצהר בהערכה ראשונית של חשיפה.

הודעה: פליטת הרטט בעת השימוש המעשי בכלי יכולה להיות שונה מן הערך המוצהר כאשר הכלי נמצא בשימוש; על מנת להגן על המפעיל, על המשתמש ללבוש כפפות ומגני אוזניים בעת השימוש למעשה.

רשימת אריזה (איור A1)

תיאור

הכירו את המפוח שלכם (איור A1)

1. רתמת תמיכה הניתנת להתאמה
2. ידית אחסון צינור המפוח
3. לוחית תרמיל
4. ידית בקרה
5. פיה מחודדת
6. צינור המפוח
7. צינור ידית בקרה
8. מפוחים
9. פתח כניסת אוויר
10. ידית עזר
11. חיבורים חשמליים
12. בריח
13. לחצני שחרור סוללה
14. ידית
15. לחצן נעילת מהירות
16. מסך LCD
17. לחצן טורבו
18. הדק מהירות האוויר
19. חריץ תליית הצינור
20. ידיות לשחרור מהיר
21. מחוון Bluetooth
22. מד דלק
23. סמל מאורר
24. מחוון טורבו
25. מחוון מהירות-אוויר
26. סמל נעילת מהירות
27. סמל סוללה

הרכבה

⚠ אזהרה: אם ישנם חלקים ניזוקים או חסרים, אל תפעילו את המכשיר עד אשר חלקים אלו יוחלפו. שימוש במכשיר זה עם חלקים פגומים או חסרים עלול לגרום לפציעה אישית חמורה.

מתח	56 V
נפח אוויר מקסימלי	1360 מק"ש
מהירות האוויר המקסימלית	85 מ/שנייה
עוצמת נשיפה מקסימלית	N 26
זמן הרצה משוער	24 דקות (טורבו)
	עם שני מארזי סוללה של Ah 6.0 (מהירות גבוהה)
	120 דקות (מהירות נמוכה)
	30 דקות (טורבו)
	עם שני מארזי סוללה של Ah 7.5 (מהירות גבוהה)
	40 דקות (מהירות נמוכה)
	40 דקות (טורבו)
	עם שני מארזי סוללה של Ah 10 (מהירות גבוהה)
	200 דקות (מהירות נמוכה)
	48 דקות (טורבו)
	עם שני מארזי סוללה של Ah 12 (מהירות גבוהה)
	63 דקות (מהירות נמוכה)
240 דקות (מהירות נמוכה)	
פס תדירות תפעול Bluetooth	2400 - 2438 MHz
כוח העברה מקסימלי עבור Bluetooth	5 דציבלים
משקל (ללא מארז סוללה)	7.7 ק"ג
טמפרטורת הפעלה מומלצת	15°C עד 40°C
טמפרטורת אחסון מומלצת	20°C עד 70°C
רמת עוצמת קול נמדדת L _{WA}	97 dB(A) 1.1=K
רמת לחץ קול באוזן המפעיל L _{PA}	82 dB(A) 3=K
רמת עוצמת קול מובטחת (בהתאם ל-2000/14/EC)	98 dB(A) L _{WA}
רטט a _h	0.35 מ'שנייה ² 1.5 מ'שנייה ² K=

ערך הרטט הכללי המוצהר נמדד בהתאם לשיטת בדיקה סטנדרטית וניתן להשתמש בו על מנת להשוות ציוד אחד עם ציוד אחר;

קראו את כל ההוראות!



⚠ אזהרה: על מנת להבטיח בטיחות ואמינות, יש לבצע את כל התיקונים וההחלפות בעזרת טכנאי שירות מוסמך.

סימני בטיחות

מטרתם של סימני הבטיחות היא להפנות את תשומת לבכם אל סכנות אפשריות. סמלי הבטיחות וההסברים שלהם דורשים את תשומת הלב וההבנה המלאות שלך. סימני הבטיחות בעצמם לא ימנעו כל סכנה. ההוראות והאזהרות אותן הם מספקים לא תחלפנה נקיטת אמצעי מניעה מתאימים בעת תאונה.

⚠ אזהרה: ודאו שאתם קוראים ומבינים את כל הוראות הבטיחות המופיעות במדריך זה למשתמש, כולל כל סימני התראות הבטיחות כגון „סכנה“, „אזהרה“ ו„זהירות“ לפני השימוש במכשיר. אי מילוי אחר כל ההוראות המופיעות למטה יכול לגרום להלם חשמלי, שרפה ו/או פציעות אישיות חמורות.

פירוש הסימן

⚠ סימן התראת בטיחות: מציינ סכנה, אזהרה, או זהירות, יכול להיות מלווה בסימנים או תמונות אחרים.

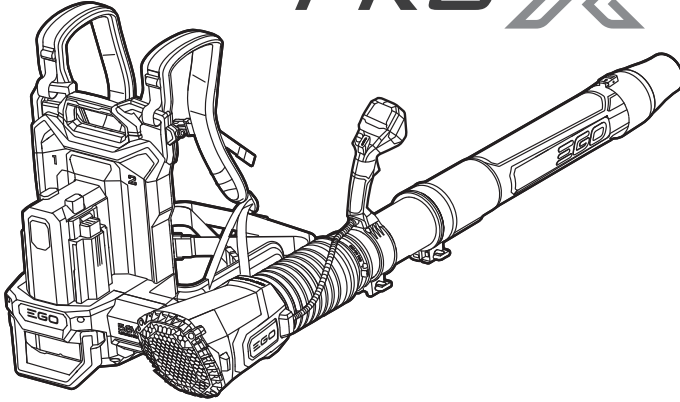
הוראות בטיחות

עמוד זה מציינ ומתאר את סימני הבטיחות העשויים להופיע על גבי המוצר. קראו, הבינו ועקבו אחר ההוראות המופיעות על המכשיר לפני כל ניסיון להרכיב ולהשתמש בו.

<p>על מנת להפחית את הסיכון לפציעות, על המשתמש לקרוא ולהבין את המדריך למשתמש לפני השימוש במוצר זה.</p>		<p>התראת בטיחות</p>
<p>חבשו תמיד משקפי מגן או משקפי בטיחות עם הגנה צדדית, ובעת הצורך, הגנה עבור כל הפנים, בעת הפעלת מוצר זה.</p>		<p>השתמשו תמיד במגני אוזניים בעת הפעלת מוצר זה.</p>
<p>מוצר זה תואם לתקנות ה-EC הרלוונטיות.</p>		<p>הרחיקו אנשים אחרים למרחק של 15 מ' לפחות.</p>
<p>אין להשליך מוצרים חשמליים ביחד עם אשפה ביתית. יש להביא את המכשיר למרכז מחזור מוסמך.</p>		<p>מוצר זה תואם לחוקים הרלוונטיים בבריטניה.</p>
<p>מל Bluetooth®</p>		<p>זרם ישיר</p>
<p>רמת עוצמת קול מובטחת. פליטת רעש אל הסביבה בהתאם לתקנת הנציבות האירופית.</p>		<p>IPX5 הגנה מפני זרנוקי מים</p>
<p>kg קילוגרם</p>	<p>m³/h מ"ר לשעה</p>	<p>V מתח</p>
<p>m/s מטר לשנייה</p>		<p>C° צלזיוס</p>
		<p>N ניטון</p>

EGO™

PRO



LBPX8000

HE מפוח גב אלחוטי בעל סוללת ליתיום-יון 56 וולט

AR منفاخ لاسلكي محمول على الظهر ببطارية ليثيوم-أيون
56 فولت

