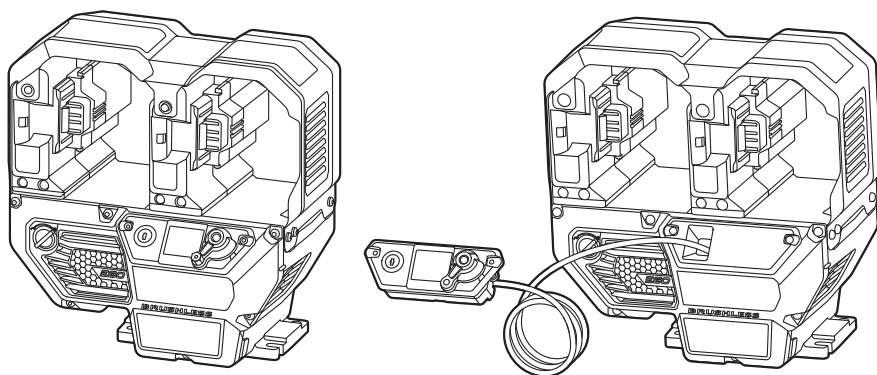


EGO™

POWER+ POWER UNIT

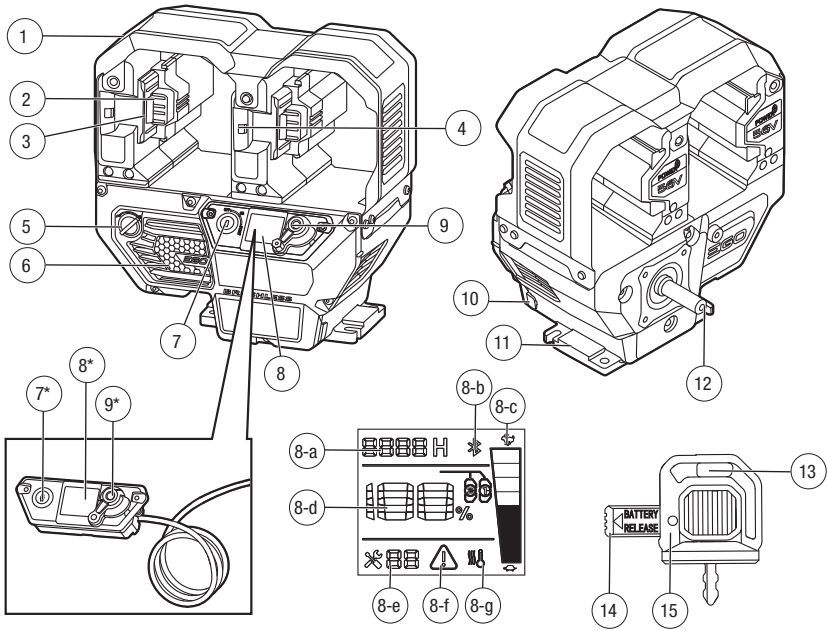


PU2710/PU2710E/PU2710RC

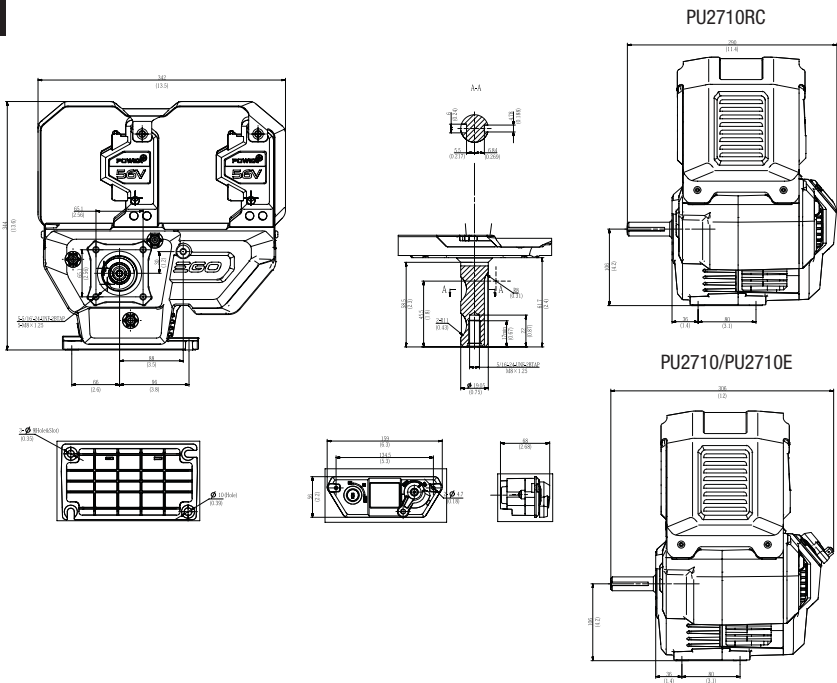
UNIVERSAL POWER UNIT

EN	Universal power unit	7	RO	Unitate de alimentare universală	111
DE	Universal-antriebsinheit	13	SL	Univerzalna pogonska enota	118
FR	Unité d'alimentation universelle	21	LT	Universalus galios įrenginys	124
ES	Cargador universal	28	LV	Universālais barošanas bloks	130
PT	Unidade de alimentação universal	36	GR	Μονάδα ισχύος γενικής χρήσης	136
IT	Unità di alimentazione universale	43	TR	Evrensel güç ünitesi	143
NL	Universele motor	49	ET	Universaalne toitesead	149
DK	Universal strømenhed	55	UK	Універсальний приводний блок	155
SE	Universalströmenhet	61	BG	Универсално задвижващо устройство	162
FI	Yleiskäyttöinen tehoyksikkö	67	HR	Univerzalna pogonska jedinica	169
NO	Universal kraftenhet	73	KA	უნივერსალური ხელსაწყო	175
RU	Универсальный приводной блок	79	SR	Univerzalna pogonska jedinica	183
PL	Uniwersalny moduł napędowy	86	BS	Univerzalna pogonska jedinica	189
CZ	Univerzální výkonový zesilovač	93	HE	יחידת כוח אוניברסלית	207
SK	Univerzálna pohonná jednotka	99	AR	وحدة طاقة شاملة	201
HU	Univerzális hajtógység	105			

A1



A2



A3

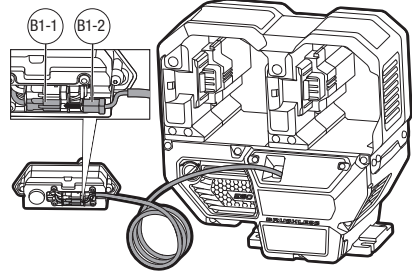
BA1400, BA2800,
BA4200, BA1400T,
BA2800T, BA3360T
BA4200T, BA5600T,
BA2240T, BA2242T,
BA6720T



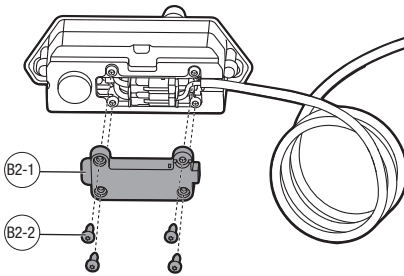
CH2100E, CH3200E,
CH5500E, CH7000E,
CH7000E-T



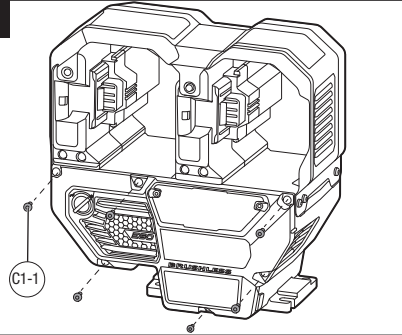
B1



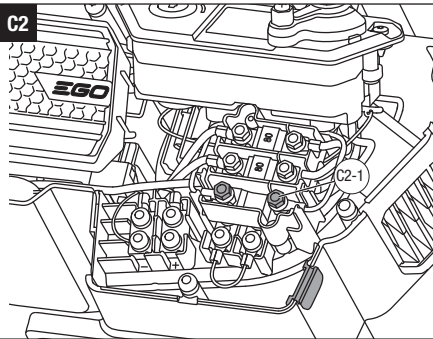
B2



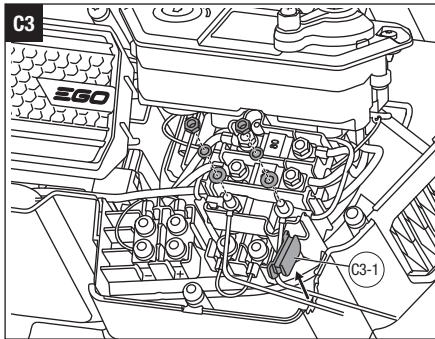
C1



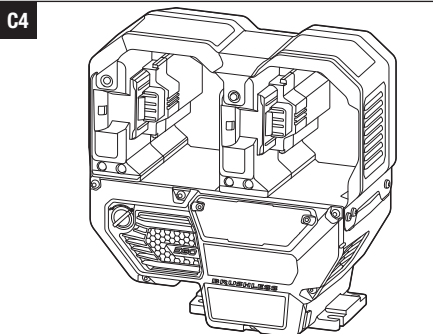
C2



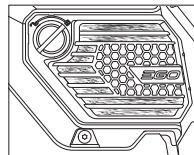
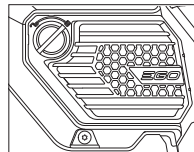
C3

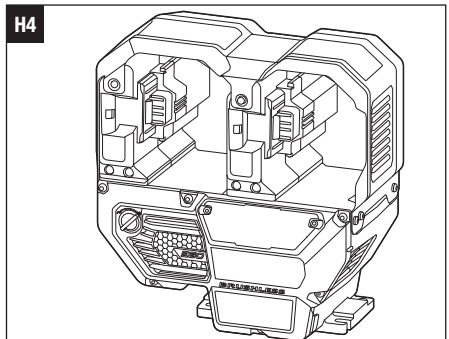
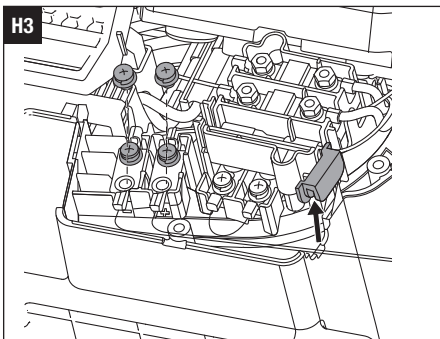
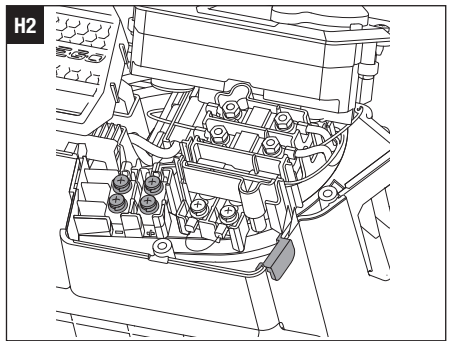
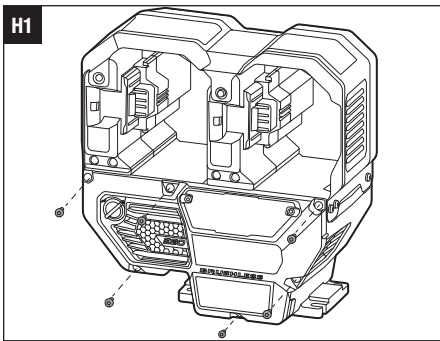
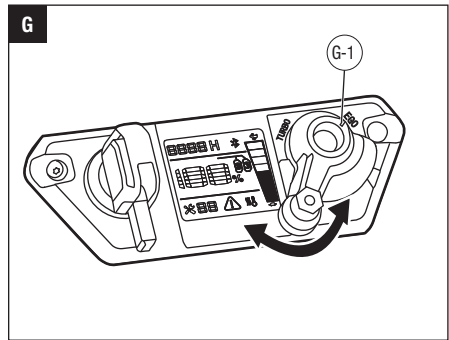
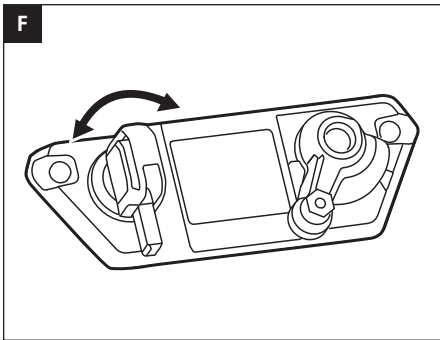
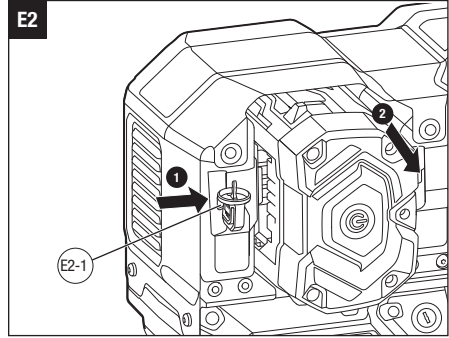
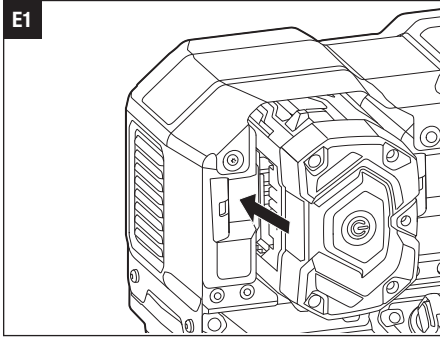


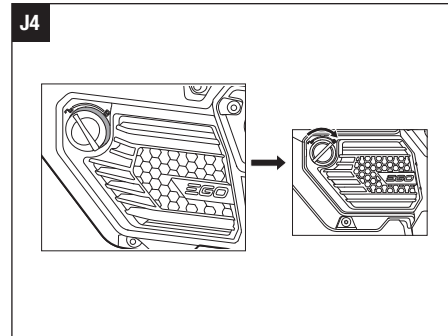
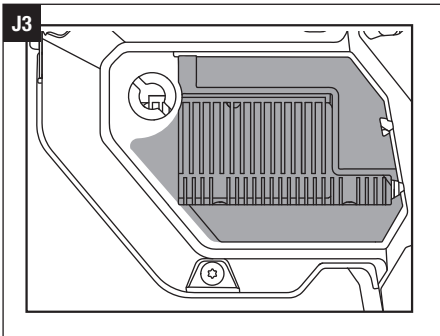
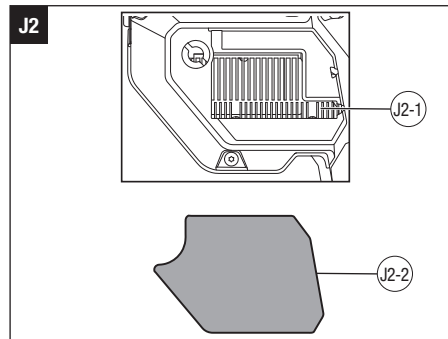
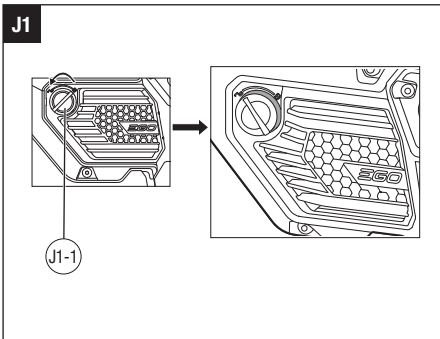
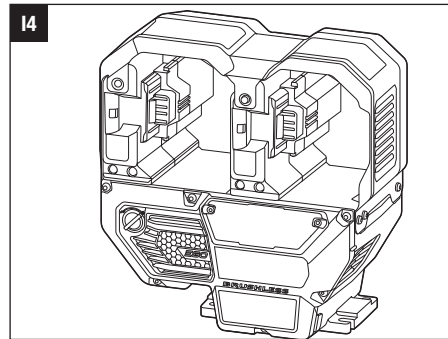
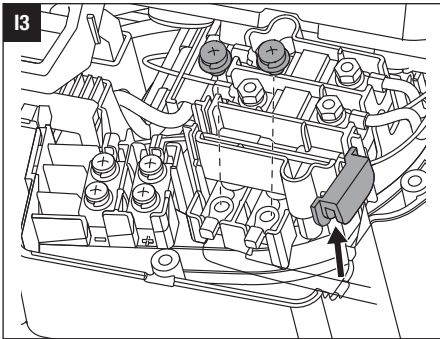
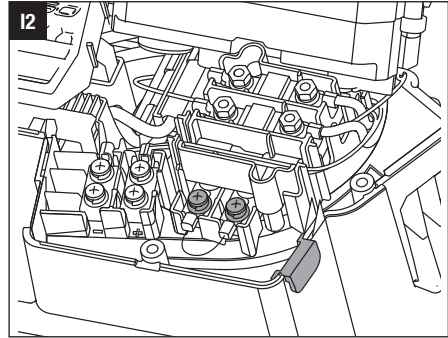
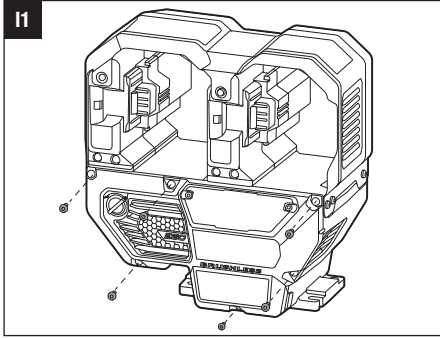
C4

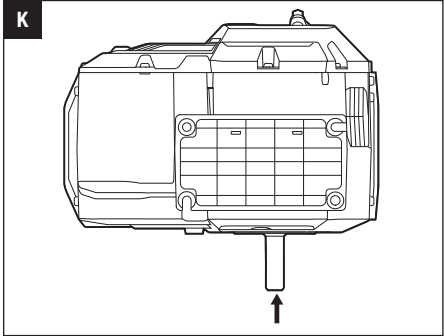


D









SAFETY INSTRUCTIONS

⚠ WARNING: Read all safety warnings, instructions, illustrations and specifications provided with this tool. Failure to follow all instructions listed below may result in electric shock, fire and/or serious injury.

SAVE ALL WARNINGS AND INSTRUCTIONS FOR FUTURE REFERENCE.

- **Keep work area clean and well lit.** Cluttered or dark areas invite accidents.
- **Do not operate the power unit in explosive atmospheres, such as in the presence of flammable liquids, gases or dust.**
- Distractions can cause you to lose control.
- **Match the socket (if applicable) with the proper plug. Never modify the socket and the plug in any way.** Unmodified plugs and matching sockets will reduce risk of electric shock.
- **Stay alert, watch what you are doing and use common sense when operating the power unit. Do not use the power unit while you are tired or under the influence of drugs, alcohol or medication.** A moment of inattention while operating the power unit may result in serious personal injury.
- **Use personal protective equipment.** Protective equipment such as dust mask, non-skid safety shoes, hard hat or hearing protection used for appropriate conditions will reduce personal injuries.
- **Dress properly. Do not wear loose clothing or jewelry. Keep your hair and clothing away from moving parts.** Loose clothes, jewelry or long hair can be caught in moving parts.
- **Do not let familiarity gained from frequent use of tools allow you to become complacent and ignore**



Read & Understand Operator's Manual

IPX5 Ingress Protection Degree

V Voltage

tool safety principles. A careless action can cause severe injury within a fraction of a second.

- **Have your power unit serviced by a qualified repair person using only identical replacement parts.** This will ensure that the safety of the power unit is maintained.
- **Always take extra caution when starting the power unit without assembling it to the tool completely.**
- **Do not use a battery pack or tool that is damaged or modified.** Damaged or modified batteries may exhibit unpredictable behavior resulting in fire, explosion or risk of injury.
- **Do not expose a battery pack or tool to fire or excessive temperature.** Exposure to fire or temperature above 130°C may cause explosion.
- **Follow all charging instructions and do not charge the battery pack or tool outside the temperature range specified in the instructions.** Charging improperly or at temperatures outside the specified range may damage the battery and increase the risk of fire.
- **Never service damaged battery packs.** Service of battery packs should only be performed by the manufacturer or authorized service providers.
- Refer to the battery pack instruction manual for precautions about battery packs.

SAFETY SYMBOLS

⚠ WARNING: The operation of any power tools can result in foreign objects being thrown into your eyes, which can result in severe eye damage. Before beginning power tool operation, always wear safety goggles or safety glasses with side shields and a full face shield when needed. We recommend a Wide Vision Safety Mask for use over eyeglasses or standard safety glasses with side shields.



Waste electrical products should not be disposed of with household waste. Take to an authorized recycler.



Direct Current

EN SPECIFICATION

Voltage	56 V
Length x Width x Height	PU2710/PU2710E: 342 mm x 306 mm x 344 mm PU2710RC: 342 mm x 290 mm x 344 mm
Weight (without battery pack)	PU2710/PU2710E: 11.4 kg PU2710RC: 11.5 kg
IP	IPX5
Battery port	Dual Ports
Speed control	Eco/Turbo modes (Continuously variable 1200-3600 RPM)
Malfunction LED indicator	Yes
Cooling system	Air cooled
Air cleaner	Easy replaceable sponge mesh
Net power output	3.47 kW @ 3450 RPM
Max. net torque	9.2 N.m @ 3450 RPM
Electronic brake	Yes
PTO shaft	Horizontal
PTO shaft rotation (from PTO shaft side)	Counterclockwise
PTO shaft dimensions	Refer to Fig. A2
Recommended operating temperature	-15°C – 40°C
Recommended storage temperature	0°C – 50°C

DESCRIPTION

KNOW YOUR POWER UNIT (Fig.A1)

- Battery compartment cover
- Ejection mechanism
- Battery locker
- Battery release slot
- Lock knob
- Air cleaner
- Power switch*
- LED screen*

- Total running hours (H)
- Bluetooth sign
- Rotational speed sign
- Battery level sign
- Malfunction sign
- Blocking sign
- Over temperature sign
- Continuously variable lever*
- Wiring hole/Block
- Base
- PTO shaft
- Threading hole for the key
- Battery release
- Key (x2)

***NOTE:** The control panel box of the power switch, LED screen and continuously variable lever is integrated with the unit of PU2710/PU2710E, but it is separated from the unit of PU2710RC.

PACKING LIST (FIG.A1)

ASSEMBLY

■ PU2710

No assembly is required.

■ PU2710RC

Connect the control panel box to the power unit (Fig. B1 & B2)

B1-1	Cable Socket	B1-2	Cable Plug
B2-1	End Cover	B2-2	Screw (x4)

■ PU2710E

Connect the unit with a switch or other equivalent (not provided).

- Remove the six screws from the front cover and remove the front cover (Fig. C1).
- There are two external ports reserved inside the power head, loosen the nuts (Fig. C2).
- Remove the block, use suitable wires to connect the power unit and a start switch or other equivalent. The connecting end should be a terminal lug and can be connected through the nuts (Fig. C3).
- No need to replace the block, and finally replace the front cover (Fig. C4).

C1-1	Screw (x6)	C2-1	Nut & Washer (x2)
C3-1	Block		

OPERATION

PRE-OPERATION CHECK

Air cleaner (Fig. D)

Check the air cleaner elements to be sure they are clean and in good condition.

Clean or replace the elements if necessary, following the instructions in section “AIR CLEANER SERVICE”.

⚠ CAUTION: Never run the power unit without the air cleaner. Rapid wear will result.

BATTERY PACK ATTACHMENT/DETACHMENT

Use only with the recommended EGO's battery packs and chargers (Fig. A3). For optimum performance, it is recommended to attach: 2 x 12Ah, 2 x 10Ah or at least 2 x 7.5Ah batteries.

Fully charge before first use

1. **To attach the battery pack**, align the battery ribs with the guiding slots of the power unit and press the battery pack down until you hear a “click” (Fig. E1).
2. **To detach the battery pack**, put the battery release into the slot and push it towards the right side; then the battery will pump out from the battery compartment (Fig. E2).

E2-1	Battery release slot
------	----------------------

NOTICE: The battery can only be detached via the battery release.

NOTE: Do not leave the battery release into the slot in case the battery be taken out unexpectedly.

STARTING THE POWER UNIT (FIG.F)

■ PU2710/PU2710RC

1. Put the key into the power switch slot and turn 45° clockwise to the “ON” position, the power unit will be ready to work as the LED screen and the green light of the battery pack be turned on.
2. Turn the key 45° clockwise again to the “STRAT” position, the power unit starts to work.

■ PU2710E

NOTICE: Always follow below steps to start the power unit. The power unit could not start if the connected switch is turned on before turning the key to the “ON” position.

1. Put the key into the power switch slot and turn it to the “ON” position. The power unit will be ready to work as the LED screen and the green light of the battery pack be turned on.

2. Turn on the connected switch (not provided), the power unit starts to work.

NOTICE: The key cannot be taken out from the switch slot when the power unit is ready to work or in operation.

STOPPING THE POWER UNIT

■ PU2710/PU2710RC

To stop the power unit temporarily, just turn the key to the “ON” position.

To stop the power unit completely, turn the key to the “OFF” position.

■ PU2710E

To stop the power unit temporarily, just turn off the connected switch (not provided).

To stop the power unit completely, turn the key to the “OFF” position.

NOTICE: To prevent unexpected startup, turn the key to the “OFF” position to turn off the power unit completely.

SPEED ADJUSTMENT (FIG.G)

Turn the continuously variable lever and use the indicating slot on the lever to help you locate and choose the speed between “ECO” and “TURBO”.

NOTICE: The speed can also be pre-set before starting.

G-1	Indicating slot
-----	-----------------

POWERING LIGHTING EQUIPMENT

This power unit can supply power to external lighting equipment, and the voltage is consistent with the rated voltage of the power head.

1. Remove the six screws from the front cover and remove the front cover (Fig.H1).
2. There are two pairs of external ports reserved inside the power unit, with one pair on the left being the output port, and the left is negative and the right is positive (with a positive and negative sign at the interface) (Fig.H2).
3. Remove the block and use suitable wires to connect the power unit and lighting equipment. The connecting end should be a terminal lug and can be connected through M5 screws (Fig.H3).
4. No need to replace the block, and finally replace the front cover (Fig.H4).

NOTICE: A fuse of not more than 12A must be connected to protect the power unit. Any product damage caused by not connecting a fuse is not covered by the warranty.



CONNECTION TO EXTERNAL SAFETY SWITCH





An external safety switch can be connected to the power unit, allowing the operator to stop the power unit in a timely manner in case of emergencies.

1. Remove the six screws from the front cover and remove the front cover (Fig. I1).
2. There are two external ports reserved inside the power head, use the pair on the right. Loosen the screws and remove the wire (Fig.I2).
3. Remove the block and connect the power unit with suitable wires. The connecting end should be a terminal lug and can be connected through M5 screws (Fig. I3).
4. There is no need to replace the block, and finally replace the front cover (Fig.I4).

NOTE: Stopping the power unit via an external safety switch can only stop the motor of the power unit and cannot turn off the unit completely; which means the whole unit is still in the power-up state. To restart the power unit, please resume the electrical connection of the external safety switch.

LED SCREEN DISPLAY

DISPLAY	MEANING	ACTION
	lock rotor protection	<ul style="list-style-type: none"> ▪ Cut off the power and check for any blockages around the load. After cleaning, restart the power unit. If the lock rotor protection still displays, Contact EGO service center for repair.
	Low voltage	<ul style="list-style-type: none"> ▪ Recharge the battery pack(s).

	Battery pack is over temperature	<ul style="list-style-type: none"> ▪ Check and clean the air cleaner. ▪ Let the battery cool down until the yellow LED stop flashing or try battery pack(s) with higher capacity.
	Power unit over temperature	<ul style="list-style-type: none"> ▪ Wait for the power unit to cool down. ▪ Reduce the workload.
	Main board overcurrent protection	<ul style="list-style-type: none"> ▪ Try to reduce the workload
	Communication failure	<ul style="list-style-type: none"> ▪ Contact EGO service center for repair.

MAINTENANCE

⚠ WARNING: To prevent personal injury, remove the battery packs before servicing, cleaning the unit.

⚠ WARNING: When servicing, use only identical replacement parts. Use of any other parts may create a hazard or cause product damage. To ensure safety and reliability, all repairs should be performed by a qualified service technician.

CLEANING THE POWER UNIT

- Clean the power unit using a damp cloth with mild detergent. Never let any liquid get inside the power unit; never immerse any part of the power unit into a liquid.
- Do not use any strong detergents on the plastic housing. They can be damaged by certain aromatic oils, such as pine and lemon, and by solvents such as

kerosene. Moisture can also cause a shock hazard.
Wipe off any moisture with a soft, dry cloth.

AIR CLEANER SERVICE

To remove

1. Counter-clockwise rotate the lock knob according to the icon illustration on it and take out the air cleaner directly (Fig. J1).

J1-1	Lock knob
------	-----------

2. It is recommended to use air gun blowing clean the sponge mesh filter per need or directly replace a new one if necessary (Fig. J2).

J2-1	Air cleaner cover	J2-2	Sponge mesh
------	-------------------	------	-------------

To install

1. Place the sponge mesh into the air cleaner cover. Make sure all sides are laid flat without humps (Fig. J3).
2. Place the air cleaner onto the power unit properly.
3. Press and clock-wise rotate the lock knob to lock air cleaner in place (Fig. J4).

TRANSPORTING/STORAGE

TRANSPORTING THE POWER UNIT

⚠ CAUTION: In case of damaging the power unit, please never let the PTO shaft be impacted or let force push in the PTO shaft (Fig.K).

STORING THE POWER UNIT

- Remove the battery packs from the power unit.
- Clean the power unit thoroughly before storing.
- Store the power unit in a dry, well-ventilated area, out of the reach of the children. Do not store the power unit on or adjacent to fertilizers, gasoline, or other chemicals.

PROTECTING THE ENVIRONMENT



Do not dispose of electrical equipment, used battery and charger into household waste! Take this product to an authorized recycler and make it available for separate collection. Electric tools must be returned to an environmentally compatible recycling facility.



EN TROUBLESHOOTING

PROBLEM	CAUSE	SOLUTION
The power unit fails to start.	<ul style="list-style-type: none">For PU2710/PU2710RC, the power switch is not switched to "START" Position.For PU2710E, the connected switch is turned on before turning the key to the "ON" position.The battery pack(s) is not engaged in place in the battery compartment.Other unidentified causes.	<ul style="list-style-type: none">Turn the switch to "START" position.Always turn the key to the "ON" position first, then turn on the connected switch.Attach the battery pack(s) in the battery compartment, and press it until you hear a "click".Contact a qualified service technician for repair.
The power unit stops working.	<ul style="list-style-type: none">The battery pack(s) is depleted.The power unit is over loaded.The battery pack(s) is over temperature.The power unit is over temperature.Other unidentified causes.	<ul style="list-style-type: none">Charge the battery pack(s).Reduce the working load.Reduce the working load or replace with the larger capacity battery pack(s).Avoid using the battery pack(s) in high temperature environment.Check and clean the air cleaner.Reduce the load and avoid using the power unit in high temperature environment.Contact a qualified service technician for repair.
The speed makes no changes when turning the continuously variable lever.	<ul style="list-style-type: none">If the surrounding is too noisy, it is difficult to recognize changes.Unidentified faults.	<ul style="list-style-type: none">Stop the power unit, and adjust the speed again. Measure the speed difference to further check if necessary.Contact EGO customer service for repair.
The speed goes down automatically when suffer continuous heavy load and maintain at low speed level, which could be identified through running sound.	<ul style="list-style-type: none">The power unit features an automatic adjustment function for overload protection.	<ul style="list-style-type: none">Reduce load according to actual situation, and then the power unit will returns to full speed state.

WARRANTY

EGO WARRANTY POLICY

Please visit the website poweredbyego.com for full terms and conditions of the EGO Warranty policy.

SICHERHEITSHINWEISE

⚠️ WARNUNG: Lesen Sie alle Sicherheitshinweise, Anleitungen und technische Daten, die diesem Gerät beiliegen. Die Nichtbeachtung der unten aufgeführten Anweisungen kann zu Stromschlägen, Bränden und/oder schweren Verletzungen führen.

BEWAHREN SIE ALLE WARNHINWEISE UND BEDIENUNGSANWEISUNGEN FÜR NACHSCHLAGEZWECKE AUF.

- Halten Sie den Arbeitsbereich stets sauber und gut beleuchtet. Unaufgeräumte oder dunkle Bereiche können Unfälle provozieren.
- Verwenden Sie die Antriebseinheit nicht in explosionsgefährdeten Umgebungen wie z. B. in Gegenwart von entzündlichen Flüssigkeiten, Gasen oder Staub.
- Ablenkungen können dazu führen, dass Sie die Kontrolle verlieren.
- Die Anschlussbuchse (sofern zutreffend) muss zum jeweiligen Stecker passen. Der Netzstecker darf unter keinen Umständen modifiziert werden. Nicht modifizierte Stecker und passende Steckdosen reduzieren die Stromschlaggefahr.
- Seien Sie wachsam, geben Sie darauf Acht, was Sie tun, und benutzen Sie Ihren gesunden Menschenverstand, wenn Sie die Antriebseinheit verwenden. Betreiben Sie die Antriebseinheit nicht, wenn Sie müde sind oder unter dem Einfluss von Drogen, Alkohol oder Medikamenten stehen. Ein Moment der Unachtsamkeit bei Einsatz der Antriebseinheit kann zu schweren Verletzungen führen.
- Tragen Sie eine persönliche Schutzausrüstung. Durch eine Schutzausrüstung wie etwa eine Staubschutzmaske, rutschfeste Schuhe, Schutzhelm oder Gehörschutz lässt sich die Verletzungsgefahr den Umständen entsprechend verringern.
- Tragen Sie angemessene Kleidung. Tragen Sie keine weite Kleidung oder Schmuck. Halten Sie Ihr Haar und Ihre Kleidung von den beweglichen Teilen fern. Weite Kleidung, Schmuck oder langes Haar können sich in den beweglichen Teilen verfangen.
- Lassen Sie sich nicht durch die aufgrund häufiger Benutzung entstandene Vertrautheit mit Werkzeugen dazu verleiten, unachtsam zu werden und die für Werkzeuge geltenden Sicherheitsgrundsätze zu ignorieren. Eine

fahrlässige Handlung kann bereits im Bruchteil einer Sekunde zu schweren Verletzungen führen.

- Lassen Sie die Antriebseinheit von einer qualifizierten Fachkraft und nur unter Verwendung baugleicher Ersatzteile reparieren. Nur so kann für die Sicherheit der Antriebseinheit gesorgt werden.
- Seien Sie beim Starten der Antriebseinheit immer besonders vorsichtig, falls diese nicht vollständig montiert wurde.
- Benutzen Sie keinen Akku oder ein Werkzeug, das beschädigt oder umgebaut wurde. Beschädigte oder umgebaute Akkus können sich unvorhergesehen verhalten, wodurch möglicherweise ein Brand, eine Explosion oder Verletzung verursacht wird.
- Akkus oder Werkzeuge vor Feuer oder extremen Temperaturen schützen. Feuer oder Temperaturen über 130 °C können eine Explosion verursachen.
- Befolgen Sie alle Ladeanweisungen und laden Sie den Akku oder das Werkzeug nicht außerhalb des Temperaturbereichs auf, der in der Anleitung angegeben ist. Das unsachgemäße Aufladen oder Laden außerhalb des angegebenen Temperaturbereichs kann den Akku beschädigen und die Brandgefahr erhöhen.
- Reparieren Sie unter keinen Umständen beschädigte Akkus. Akkus sollten ausschließlich vom Hersteller selbst oder einer autorisierten Reparaturwerkstatt repariert werden.
- Sicherheitshinweise zu Akkupacks stehen in der Betriebsanleitung des Akkupacks.

WARNSYMBOLE

⚠️ WARNUNG: Beim Betrieb von Elektrowerkzeugen besteht die Gefahr, dass Fremdkörper in Ihre Augen geschleudert werden und Sie dadurch schwerwiegende Augenschäden davontragen. Tragen Sie immer eine Schutzbrille, wenn möglich mit Seitenschutz oder, falls nötig, einen vollen Gesichtsschutz, bevor Sie Arbeiten mit dem Elektrowerkzeug verrichten. Wir empfehlen Ihnen, einen Gesichtsschutz über Ihrer eigenen Brille oder eine herkömmliche Schutzbrille mit Seitenschutz zu tragen.



Lesen & verstehen Sie die Bedienungsanleitung

IPX5 Schutzklasse

V Spannung



Elektrische Altgeräte dürfen nicht im Hausmüll entsorgt werden. Bringen Sie das Gerät zu einer offiziellen Recycling-Annahmestelle.



Gleichstrom

TECHNISCHE ANGABEN

Spannung	56 V
Länge x Breite x Höhe	PU2710/PU2710E: 342 mm x 306 mm x 344 mm PU2710RC: 342 mm x 290 mm x 344 mm
Gewicht (ohne Akku)	PU2710/PU2710E: 11.4 kg PU2710RC: 11.5 kg
IP	IPX5
Akkuanschluss	Zwei Anschlüsse
Drehzahlregelung	Eco-/Turbo-Betriebsarten (stufenlos regelbar 1200–3600 U/min)
Störmelde-LED	Ja
Kühlung	Luftgekühlt
Luftfilter	Leicht austauschbares Gewebematerial
Netto-Ausgangsleistung	3,47 KW @ 3450 min-1
Max. Netto-Drehmoment	9,2 Nm @ 3450 min-1
Elektronische Bremse	Ja
Zapfwelle	Horizontal
Zapfwelldrehung (von der Zapfwellenseite aus betrachtet)	Gegen den Uhrzeigersinn
Abmessungen der Zapfwelle	Siehe Abb. A2
Empfohlene Betriebstemperatur	-15°C – 40°C
Empfohlene Lagertemperatur	0°C – 50°C

BESCHREIBUNG

AUFBAU DER ANTRIEBSEINHEIT (Abb. A1)

1. Deckel des Akkufachs
2. Auswurfmechanismus
3. Akkuverriegler
4. Akku-Entriegelungsschlitz
5. Verriegelungsschalter
6. Luftfilter
7. Betriebsschalter*
8. LED-Display*
 - 8-a. Gesamtbetriebsstunden (H)
 - 8-b. Bluetooth-Anzeige
 - 8-c. Drehzahlanzeige
 - 8-d. Ladestandsanzeige
 - 8-e. Störungsanzeige
 - 8-f. Blockadeanzeige
 - 8-g. Überhitzungsanzeige
9. Stufenloser Einstellhebel*
10. Kabelöffnung/Block
11. Fuß
12. Zapfwelle
13. Befestigungsloch für den Schlüssel
14. Akkuentriegler
15. Schlüssel (x2)

***ANMERKUNG:** Der Bedienfeldkasten des Betriebsschalters, das LED-Display und der stufenlose Einstellhebel sind in die Einheit des PU2710/PU2710E integriert, von der Einheit des PU2710RC jedoch getrennt.

PACKLISTE (ABB. A1)

MONTAGE

■ PU2710

Keine Montage erforderlich.

■ PU2710RC

Bedienfeldbox mit der Antriebseinheit (Abb. B1 & B2)

B1-1	Kabel-Anschlussbuchse	B1-2	Kabelstecker
------	-----------------------	------	--------------

B2-1	Endabdeckung	B2-2	Schraube (x4)
------	--------------	------	---------------

■ PU2710E

Verbinden Sie das Gerät mit einem Schalter oder einem anderen gleichwertigen Gerät (nicht mitgeliefert).

1. Entfernen Sie die sechs Schrauben von der vorderen Abdeckung und nehmen Sie die vordere Abdeckung ab (Abb. C1).
2. Es gibt zwei externe Anschlüsse im Inneren des Antriebskopfes. Lösen Sie die Muttern (Abb. C2).
3. Entfernen Sie den Block. Verbinden Sie die Antriebseinheit und einen Start-Schalter oder ein anderes gleichwertiges Gerät mit geeigneten Kabeln. Das Anschlussende sollte eine Anschlussfahne sein und kann über Muttern angeschlossen werden (Abb. G3).
4. Es ist nicht erforderlich, den Block wieder anzubringen. Befestigen Sie anschließend wieder die vordere Abdeckung (Abb. C4).

C1-1	Schraube (x6)	C2-1	Mutter und Unterlegscheibe (x2)
C3-1	Block		

BETRIEB

KONTROLLEN VOR DEM BETRIEB

Luftfilter (Abb. D)

Kontrollieren, ob die Luftfilterelemente sauber und in gutem Zustand sind.

Befolgen Sie die Anweisungen im Kapitel „**LUFTFILTER-WARTUNG**“, um die Elemente ggf. zu reinigen oder auszuwechseln.

⚠ VORSICHT: Die Antriebseinheit nie ohne Luftfilter in Betrieb setzen. Das führt zu schnellem Verschleiß.

AKKUPACK ANBRINGEN/ABNEHMEN

Verwenden Sie nur die von EGO empfohlenen Akkupacks und Ladegeräte (Abb. A3). Für eine optimale Leistung sind folgende Einheiten zu empfehlen: 2 x 12 Ah, 2 x 10 Ah oder mindestens 2 Akkus mit 7,5 Ah.

Laden Sie den Akku vor dem ersten Gebrauch voll auf.

1. **Zum Einsetzen des Akkus** lassen Sie die Stege am Akkugehäuse mit den Geräteaufnahmen in der Antriebseinheit fluchten und schieben Sie den Akku bis zum hörbaren Einrasten hinein (Abb. E1).
2. **Um den Akku zu entfernen**, stecken Sie den Akkuentriegler in den Schlitz und schieben Sie ihn

nach rechts; der Akku wird dann aus dem Akkufach geschoben. (Abb. E2).

E2-1	Akku-Entriegelungsschlitz
------	---------------------------

DE

HINWEIS: Der Akku kann nur mithilfe des Akkuentrieglers entnommen werden.

ANMERKUNG: Lassen Sie den Akkuentriegler nicht im Schlitz stecken, falls der Akku unerwartet herausgenommen werden musste.

ANTRIEBSEINHEIT STARTEN (ABB. F)

■ PU2710/PU2710RC

1. Stecken Sie den Schlüssel in den Schlitz des Betriebsschalter und drehen Sie ihn um 45° im Uhrzeigersinn in die Position „**EIN**“. Die Antriebseinheit ist betriebsbereit, wenn das LED-Display und das grüne Licht des Akkus sich einschalten.
2. Drehen Sie den Schlüssel erneut um 45° im Uhrzeigersinn in die Position „**START**“; die Antriebseinheit beginnt nun zu arbeiten.

■ PU2710E

HINWEIS: Folgen Sie immer den unten beschriebenen Schritten, um die Antriebseinheit zu starten. Die Antriebseinheit kann nicht starten, wenn der angeschlossene Schalter eingeschaltet wird, bevor der Schlüssel in die Position „**EIN**“ gestellt wurde.

1. Stecken Sie den Schlüssel in den Betriebsschaltersteckplatz und drehen Sie ihn in die Position „**EIN**“. Die Antriebseinheit ist betriebsbereit, wenn das LED-Display und das grüne Licht des Akkus sich einschalten.
2. Schalten Sie den angeschlossenen Schalter (nicht mitgeliefert) ein. Die Antriebseinheit beginnt zu arbeiten.

HINWEIS: Der Schlüssel kann nicht aus dem Schalterschlitz gezogen werden, wenn die Antriebseinheit betriebsbereit oder in Betrieb ist.

ANTRIEBSEINHEIT ABSTELLEN

■ PU2710/PU2710RC

Antriebseinheit vorübergehend stoppen, drehen Sie einfach den Schlüssel in die Position „**EIN**“.

Um die Antriebseinheit vollständig abzuschalten, drehen Sie den Schlüssel in die Position „**AUS**“.

■ PU2710E

Um die Antriebseinheit vorübergehend zu stoppen, schalten Sie einfach den angeschlossenen Schalter aus (nicht mitgeliefert).

Um die Antriebseinheit vollständig abzuschalten, drehen Sie den Schlüssel in die Position „AUS“.

HINWEIS: Um einen unerwarteten Start zu verhindern, drehen Sie den Schlüssel in die Position „AUS“, um die Antriebseinheit vollständig auszuschalten.

GESCHWINDIGKEIT REGULIEREN (ABB. G)

Drehen Sie den stufenloser Einstellhebel. Stellen Sie mithilfe der Markierungskerbe am Hebel die Geschwindigkeit zwischen „ECO“ und „TURBO“ ein.

HINWEIS: Die Geschwindigkeit kann auch vor dem Start voreingestellt werden.

G-1	Markierungskerbe
-----	------------------

STROMVERSORGUNG VON BELEUCHTUNGSGERÄTEN

Diese Antriebseinheit kann externe Beleuchtungsgeräte mit Strom versorgen. Die Spannung stimmt mit der Nennspannung des Kombimotors überein.

- Entfernen Sie die sechs Schrauben von der vorderen Abdeckung und nehmen Sie die vordere Abdeckung ab (Abb. H1).
- In der Antriebseinheit befinden sich zwei Paar Anschlüsse für externe Geräte, wobei das Paar auf der linken Seite der Ausgangsanschluss ist - der linke Anschluss ist negativ und der rechte positiv (mit einem Plus- und einem Minuszeichen an der Schnittstelle) (Abb. H2).
- Entfernen Sie den Block und verbinden Sie die Antriebseinheit und das Beleuchtungsgerät mit geeigneten Kabeln. Das Anschlussende sollte eine Anschlussfahne sein und kann über M5-Schrauben angeschlossen werden (Abb. H3).
- Es ist nicht erforderlich, den Block wieder anzubringen. Befestigen Sie anschließend wieder die vordere Abdeckung (Abb. H4).

HINWEIS: Zum Schutz der Antriebseinheit muss eine Sicherung von maximal 12 A angeschlossen werden. Produktschäden aufgrund des Fehlens einer angeschlossenen Sicherung sind nicht von der Garantie abgedeckt.

ANSCHLUSS AN EXTERNEN SICHERHEITSSCHALTER



An die Antriebseinheit kann ein externer Sicherheitsschalter angeschlossen werden, der es dem Bediener ermöglicht, die Antriebseinheit im Notfall rechtzeitig abzuschalten.

- Entfernen Sie die sechs Schrauben von der vorderen Abdeckung und nehmen Sie die vordere Abdeckung ab (Abb. I1).

- Im Inneren der Antriebseinheit sind zwei Anschlüsse, die für externe Geräte reserviert sind. Verwenden Sie das Paar auf der rechten Seite. Lösen Sie die Schrauben und entfernen Sie das Kabel (Abb. I2).
- Entfernen Sie den Block und schließen Sie die Antriebseinheit mit geeigneten Kabeln an. Das Anschlussende sollte eine Anschlussfahne sein und kann über M5-Schrauben angeschlossen werden (Abb. I3).
- Es ist nicht erforderlich, den Block wieder anzubringen. Befestigen Sie anschließend wieder die vordere Abdeckung (Abb. I4).

ANMERKUNG: Das Abschalten der Antriebseinheit über einen externen Sicherheitsschalter kann nur den Motor der Antriebseinheit stoppen und das Gerät nicht vollständig abschalten. Das bedeutet, dass sich die gesamte Einheit noch im eingeschalteten Zustand befindet. Um die Antriebseinheit neu zu starten, stellen Sie bitte den elektrischen Anschluss des externen Sicherheitsschalters wieder her.

LED-DISPLAYANZEIGEN

ANZEIGE	BEDEUTUNG	VORGANG
	Rotorblockadeschutz	<ul style="list-style-type: none"> Unterbrechen Sie die Stromversorgung und prüfen Sie auf Blockaden in der Nähe der Last. Starten Sie die Antriebseinheit nach dem Entfernen der Blockaden erneut. Wenn der Rotorblockadeschutz weiterhin angezeigt wird, wenden Sie sich zwecks Reparatur an das EGO Servicecenter.
	Geringe Spannung	<ul style="list-style-type: none"> Akkupack(s) aufladen.

	Akku ist überhitzt	<ul style="list-style-type: none"> ▪ Luftfilter prüfen und reinigen. ▪ Lassen Sie den Akku abkühlen, bis die gelbe LED nicht mehr blinkt, oder versuchen Sie es mit Akkus mit höherer Kapazität.
	Antriebseinheit überhitzt	<ul style="list-style-type: none"> ▪ Warten Sie, bis die Antriebseinheit abgekühlt ist. ▪ Verringern Sie die Arbeitsbelastung.
	Überstromschutz der Hauptplatine	<ul style="list-style-type: none"> ▪ Versuchen Sie, die Arbeitsbelastung zu verringern
	Kommunikationsstörung	<ul style="list-style-type: none"> ▪ Kontaktieren Sie das EGO-Servicezentrum, um das Gerät reparieren zu lassen.

- Benutzen Sie keine starken Reiniger für das Kunststoffgehäuse. Die Teile können von bestimmten ätherischen Ölen, wie z. B. Kiefern- oder Zitronenöl und von Lösungsmitteln wie Petroleum angegriffen werden. Feuchtigkeit stellt zudem eine Stromschlaggefahr dar. Wischen Sie feuchte Stellen mit einem weichen trockenen Tuch ab.

LUFTFILTER WARTEN

Abnehmen

1. Drehen Sie den Verriegelungsschalter dem Symbol entsprechend gegen den Uhrzeigersinn und nehmen Sie den Luftfilter direkt heraus (Abb. J1).

J1-1	Verriegelungsschalter
------	-----------------------

2. Zum Reinigen des Filtergewebes eignet sich eine Druckluftpistole. Alternativ kann er durch einen neuen Ersatzfilter ausgetauscht werden (Abb. J2).

J2-1	Deckel des Luftfilters	J2-2	Gewebematerial
------	------------------------	------	----------------

Anbringen

1. Legen Sie das Gewebematerial in den Deckel des Luftfilters. Das Material muss auf allen Seiten ohne Wellen aufliegen (Abb. J3).
2. Setzen Sie den Luftfilter korrekt in die Antriebseinheit ein.
3. Drücken und drehen Sie den Verriegelungsschalter im Uhrzeigersinn, um den Luftfilter in Einbaulage zu arretieren (Abb. J4).

TRANSPORT/AUFBEWAHRUNG

ANTRIEBSEINHEIT TRANSPORTIEREN

⚠ VORSICHT: Schützen Sie die Zapfwelle bei einer Beschädigung der Antriebseinheit vor Stößen oder Druckbelastungen (Abb. K).

ANTRIEBSEINHEIT AUFBEWAHREN

- Nehmen Sie den Akku aus der Antriebseinheit.
- Reinigen Sie die Antriebseinheit vor dem Aufbewahren gründlich.
- Bewahren Sie die Antriebseinheit an einem trockenen, gut belüfteten Ort auf, der für Kinder unerreikbaar ist. Das Gerät darf nicht auf oder neben Düngemitteln, Benzin oder anderen Chemikalien aufbewahrt werden.

WARTUNG

⚠ WARNUNG: Entnehmen Sie den Akku vor dem Instandsetzen oder Reinigen, um Verletzungen zu vermeiden.

⚠ WARNUNG: Verwenden Sie für die Wartung nur baugleiche Ersatzteile. Die Verwendung anderer Teile kann Unfälle und Schäden am Gerät hervorrufen. Um die Sicherheit und Zuverlässigkeit zu gewährleisten, sollten alle Reparaturen nur von qualifizierten Servicetechnikern durchgeführt werden.

ANTRIEBSEINHEIT REINIGEN

- Reinigen Sie das Gerät mit einem feuchten Lappen und einem milden Reinigungsmittel. In das Gerät darf keine Flüssigkeit eindringen. Das Werkzeug darf auf keinen Fall in Flüssigkeit getaucht werden.

SCHUTZ DER UMWELT

DE



Elektrogeräte, alte Akkus und Ladegeräte dürfen nicht im Hausmüll entsorgt werden! Das Gerät muss einer offiziellen Recycling-Sammelstelle zur getrennten Entsorgung zugeführt werden.

Elektrowerkzeuge müssen bei einem umweltfreundlichen Recycling-Betrieb abgegeben werden.

STÖRUNGSBEHEBUNG

DE

PROBLEM	URSACHE	LÖSUNG
Die Antriebseinheit startet nicht.	<ul style="list-style-type: none"> ▪ Stecken Sie den Schlüssel in den Betriebsschaltersteckplatz und drehen Sie ihn in die Position „START“. Die Antriebseinheit ist betriebsbereit, wenn das LED-Display und das grüne Licht des Akkus sich einschalten. ▪ Für PU2710E - der angeschlossene Schalter wurde eingeschaltet, bevor der Schlüssel in die Position „EIN“ gedreht wurde. ▪ Der Akku ist im Akkufach nicht richtig eingerastet. ▪ Andere unbestimmte Ursachen. 	<ul style="list-style-type: none"> ▪ Drehen Sie den Schalter in die Position „START“. ▪ Drehen Sie den Schlüssel immer zuerst in die Position „EIN“ und schalten Sie dann den angeschlossenen Schalter ein. ▪ Schieben Sie den Akku bis zum hörbaren Einrasten in das Akkufach. ▪ Wenden Sie sich zur Reparatur an einen qualifizierten Kundendiensttechniker.
Die Antriebseinheit funktioniert nicht mehr.	<ul style="list-style-type: none"> ▪ Der Akku ist entladen. ▪ Die Antriebseinheit ist überlastet. ▪ Der Akku ist überhitzt. ▪ Die Antriebseinheit ist überhitzt. ▪ Andere unbestimmte Ursachen. 	<ul style="list-style-type: none"> ▪ Akku aufladen. ▪ Arbeitsbelastung verringern. ▪ Reduzieren Sie die Belastung oder setzen Sie Akkus mit höherer Kapazität ein. ▪ Verwenden Sie den Akku nicht bei erhöhten Temperaturen. ▪ Luftfilter prüfen und reinigen. ▪ Belastung verringern und die Antriebseinheit nicht bei hoher Umgebungstemperatur verwenden. ▪ Wenden Sie sich zur Reparatur an einen qualifizierten Kundendiensttechniker.
Durch kontinuierliches Drehen des stufenlosen Einstellhebels ändert sich die Geschwindigkeit nicht.	<ul style="list-style-type: none"> ▪ Wenn die Betriebsumgebung zu laut ist, lassen sich Änderungen nur schwer feststellen. ▪ Unbekannte Fehler. 	<ul style="list-style-type: none"> ▪ Stoppen Sie die Antriebseinheit und passen Sie die Geschwindigkeit erneut an. Messen Sie die Geschwindigkeitsabweichung, um ggf. weiter zu prüfen. ▪ Wenden Sie sich zwecks Reparatur an den EGO-Kundendienst.
Bei einer dauerhaft hohen Belastung sinkt die Drehzahl automatisch und bleibt auf einem niedrigen Niveau stehen. Dies macht sich anhand des Betriebsgeräuschs bemerkbar.	<ul style="list-style-type: none"> ▪ Die Antriebseinheit verfügt über eine automatische Einstellfunktion zum Schutz vor Überlastungen. 	<ul style="list-style-type: none"> ▪ Verringern Sie die Belastung entsprechend der jeweiligen Situation. Die Antriebseinheit schaltet dann wieder auf volle Geschwindigkeit um.



GARANTIE

DE EGO-GARANTIEBEDINGUNGEN

Sämtliche EGO-Garantiebedingungen finden Sie auf der Website poweredbyego.com.

CONSIGNES DE SÉCURITÉ

⚠ AVERTISSEMENT : Lisez toutes les mises en garde, instructions, illustrations et spécifications fournies avec cet outil. Le non-respect des consignes figurant ci-dessous peut provoquer un choc électrique, un incendie et/ou des blessures graves.

CONSERVEZ TOUTES LES CONSIGNES DE SÉCURITÉ ET TOUTES LES INSTRUCTIONS POUR POUVOIR VOUS Y RÉFÉRER ULTÉRIEUREMENT.

- **Maintenez l'aire de travail propre et bien éclairée.** Les endroits sombres ou désordonnés augmentent les risques d'accident.
- **N'utilisez pas l'unité d'alimentation dans des atmosphères explosives, par exemple en présence de liquides, gaz ou poussières inflammables.**
- Un moment d'inattention peut vous faire perdre le contrôle de l'outil.
- **Veillez à insérer la fiche adéquate dans la prise (le cas échéant). Ne modifiez jamais la prise et la fiche de quelque manière que ce soit.** Les fiches non modifiées et les prises électriques appropriées réduisent le risque de choc électrique.
- **Restez vigilant, soyez attentif à ce que vous faites et faites preuve de bon sens lors de l'utilisation de l'unité d'alimentation. N'utilisez pas l'unité d'alimentation lorsque vous êtes fatigué(e), sous l'emprise de l'alcool, de stupéfiants ou de médicaments.** Un moment d'inattention pendant l'utilisation de l'unité d'alimentation peut provoquer des blessures corporelles graves.
- **Utilisez des équipements de protection individuelle.** L'utilisation d'équipements de protection appropriés aux conditions de travail, tels que masque anti-poussières, chaussures de sécurité antidérapantes, casque et protections auditives, permet de réduire les risques de blessures corporelles.
- **Portez une tenue adaptée. Ne portez pas de vêtement ample ni de bijou. Maintenez vos cheveux et vos vêtements éloignés des pièces mobiles.** Les vêtements amples, les bijoux et les cheveux longs peuvent se prendre dans les pièces mobiles.
- **Veillez à ne pas devenir trop sûr(e) de vous et ne cessez pas de respecter les principes de sécurité même si vous vous sentez familiarisé(e) à l'utilisation de l'outil.** La négligence peut provoquer des blessures graves en une fraction de seconde.
- **Faites réparer votre unité d'alimentation par un réparateur qualifié qui ne doit utiliser que des pièces de rechange identiques.** Ceci permet de garantir la sûreté de l'unité d'alimentation.
- **Redoublez de prudence lorsque vous démarrez le bloc moteur sans l'avoir assemblé entièrement sur l'outil.**
- **N'utilisez pas une batterie ou un outil endommagé ou modifié.** Les batteries modifiées ou endommagées peuvent avoir un comportement imprévisible provoquant un incendie, une explosion ou un risque de blessure.
- **N'exposez pas la batterie ou l'outil à des flammes ou à une température excessive.** L'exposition au feu ou à des températures supérieures à 130 °C peut provoquer une explosion.
- **Respectez toutes les instructions de recharge et ne rechargez pas la batterie ou l'outil hors de la plage de température spécifiée dans les instructions.** La recharge incorrecte ou à des températures hors de la plage spécifiée peut endommager la batterie et accroître le risque d'incendie.
- **Ne réparez jamais les batteries endommagées.** La réparation des batteries doit toujours être effectuée par le fabricant ou des réparateurs agréés.
- **Référez-vous au mode d'emploi de la batterie pour lire les mises en garde relatives aux batteries.**

FR

SYMBOLES DE SÉCURITÉ

⚠ AVERTISSEMENT : L'utilisation d'un outil électrique peut provoquer la projection d'objets étrangers dans vos yeux, ce qui peut entraîner des lésions oculaires graves. Avant de commencer à utiliser l'outil électrique, portez toujours un masque de sécurité ou des lunettes de sécurité avec des protections latérales et une visière complète si nécessaire. Nous vous recommandons de porter un masque de sécurité à vision panoramique par-dessus des lunettes de vue ou des lunettes de sécurité standards avec des protections latérales.



Lire et comprendre le manuel d'utilisation

FR

IPX5 Indice de protection

V Tension



Les produits électriques usagés ne doivent pas être jetés avec les ordures ménagères. Apportez-les dans un centre de recyclage agréé.



Courant continu

SPÉCIFICATION

Tension	56 V
Longueur x largeur x hauteur	PU2710/PU2710E: 342 mm x 306 mm x 344 mm
	PU2710RC: 342 mm x 290 mm x 344 mm
Poids (sans batterie)	PU2710/PU2710E: 11.4 kg PU2710RC: 11.5 kg
IP	IPX5
Port de batterie	Deux ports
Variateur de vitesse	Modes Eco/Turbo (variable en continu de 1200 à 3600 tr/min)
Voyant LED de dysfonctionnement	Oui
Système de refroidissement	Air refroidi
Purificateur d'air	Maillage facilement remplaçable
Puissance de sortie nette	3,47 KW à 3450 TR/MIN
Couple net max.	9,2 N.m à 3450 TR/MIN
Frein électronique	Oui
Arbre PTO	Horizontal
Rotation de l'arbre PTO (du côté de l'arbre PTO)	Sens antihoraire
Dimensions de l'arbre PTO	Référez-vous à la Fig. A2
Température d'utilisation recommandée	-15°C – 40°C
Température de stockage recommandée	0°C – 50°C

DESCRIPTION

APERÇU DE VOTRE UNITÉ D'ALIMENTATION (Fig. A1)

- Couvercle du compartiment de la batterie
- Mécanisme d'éjection
- Verrou de batterie
- Fente de déblocage de la batterie
- Bouton de blocage
- Purificateur d'air
- Bouton marche/arrêt*
- Écran LED*
 - Nombre total d'heures de fonctionnement (H)
 - Panneau Bluetooth
 - Signe de vitesse de rotation
 - Indicateur de niveau de batterie
 - Panneau de dysfonctionnement
 - Panneau de blocage
 - Avertissement de surchauffe
- Levier variable en continu*
- Trou de câblage/Bloc
- Socle
- Arbre PTO
- Trou taraudé pour la clé
- Languette de déblocage de la batterie
- Clé (x2)

***REMARQUE :** Le boîtier du panneau de commande du bouton marche/arrêt, l'écran LED et le levier de réglage en continu sont intégrés avec l'unité de l'article PU2710/PU2710E mais sont séparés de l'unité de l'article PU2710RC.

CONTENU DE L'EMBALLAGE (IMAGE A1)

ASSEMBLAGE

■ PU2710

Aucun assemblage n'est nécessaire.

■ PU2710RC

Connecter le boîtier du panneau de commande à l'unité d'alimentation (Fig. B1 & B2)

B1-1	Prise de câble	B1-2	Fiche de câble
B2-1	Couvercle	B2-2	Vis (x4)

■ PU2710E

Connectez l'appareil avec un interrupteur ou autre équivalent (non fourni).

1. Retirez les six vis du couvercle avant et retirez le couvercle avant (Fig. C1).
2. Il y a deux ports externes réservés à l'intérieur de la tête motorisée ; desserrez les écrous (Fig. C2).
3. Retirez le bloc, utilisez des fils adaptés pour connecter le bloc d'alimentation et un interrupteur de démarrage ou équivalent. L'extrémité de connexion doit être une cosse et peut être connectée par les écrous (Fig. C3).
4. Il n'est pas nécessaire de remplacer le bloc. Puis remettez en place le couvercle avant (Fig. C4).

C1-1	Vis (x6)	C2-1	Écrou et rondelle (x2)
C3-1	Bloc		

FUNCTIONNEMENT

VÉRIFICATION AVANT UTILISATION

Purificateur d'air (Fig. D)

Vérifiez que les éléments du purificateur d'air sont propres et en bon état.

Nettoyez ou remplacez les éléments le cas échéant, en suivant les consignes de la rubrique « **ENTRETIEN DU PURIFICATEUR D'AIR** ».

⚠ ATTENTION : N'utilisez jamais l'unité d'alimentation sans le purificateur d'air. Ceci entraînerait une usure rapide.

INSERTION/RETRAIT DE LA BATTERIE

Utilisez exclusivement les batteries et les chargeurs EGO recommandés (Fig. A3). Pour des performances optimales, il est recommandé de fixer : 2 batteries 12 Ah, 2 batteries 10 Ah ou au moins 2 batteries 7,5 Ah.

Rechargez complètement la batterie avant la première utilisation.

1. **Pour mettre en place la batterie**, alignez les arêtes de la batterie avec les rainures d'assemblage de l'unité d'alimentation et poussez la batterie vers le bas jusqu'à entendre un déclic (Fig. E1).
2. **Pour détacher la batterie**, insérez la languette de déblocage de la batterie dans la fente et poussez-la

vers le côté droit ; la batterie se dégage alors de son compartiment (Fig. E2).

E2-1	Fente de déblocage de la batterie
------	-----------------------------------

REMARQUE : la batterie ne peut être détachée qu'à l'aide de la languette de déblocage de la batterie.

REMARQUE : Ne laissez pas la languette de déblocage dans la fente, au risque de faire sortir la batterie involontairement.

DÉMARRAGE DE L'UNITÉ D'ALIMENTATION (FIG. F)

1. Placez la clé dans la fente de bouton marche/arrêt et tournez-la de 45° dans le sens des aiguilles d'une montre jusqu'à la position « **ON** », l'unité d'alimentation est prête à fonctionner car l'écran LED et la lumière verte de la batterie s'allument.
2. Tournez à nouveau la clé de 45° dans le sens des aiguilles d'une montre jusqu'à la position « **START** », l'unité d'alimentation se met en marche.

■ PU2710E

REMARQUE : Suivez toujours les étapes ci-dessous pour démarrer le bloc d'alimentation. Le groupe motopropulseur ne peut pas démarrer si l'interrupteur connecté est allumé avant que la clé ne soit mise en position « **ON** ».

1. Introduisez la clé dans la fente du bouton marche/arrêt et mettez-la sur la position « **ON** ». Le bloc d'alimentation sera prêt à l'emploi lorsque l'écran LED et le témoin vert de la batterie seront allumés.
2. Allumez l'interrupteur connecté (non fourni), le bloc d'alimentation se met en marche.

REMARQUE : La clé ne peut pas être retirée de la fente de l'interrupteur lorsque l'unité d'alimentation est prête à fonctionner ou en cours de fonctionnement.

ARRÊT DE L'UNITÉ D'ALIMENTATION

■ PU2710/PU2710RC

Pour arrêter temporairement le bloc d'alimentation, il suffit de tourner la clé sur la position « **ON** ».

Pour l'arrêter complètement, tournez la clé en position « **OFF** ».

■ PU2710E

Pour arrêter temporairement le bloc d'alimentation, il suffit d'éteindre l'interrupteur connecté (non fourni).

Pour l'arrêter complètement, mettez la clé en position « **OFF** ».

REMARQUE : Pour éviter un démarrage involontaire, tournez la clé en position « OFF » pour éteindre complètement l'unité d'alimentation.

FR

RÉGLAGE DE LA VITESSE (FIG. G)

Tournez le levier variable en continu et utilisez la fente d'indication sur le levier pour vous aider à choisir la vitesse entre « ECO » et « TURBO ».

REMARQUE : La vitesse peut également être pré-réglée avant le démarrage.

G-1	Fente d'indication
-----	--------------------

ALIMENTATION DE MATÉRIEL D'ÉCLAIRAGE

Cette unité d'alimentation peut alimenter un équipement d'éclairage extérieur. La tension est conforme à la tension nominale du bloc d'alimentation.

1. Retirez les six vis du couvercle avant et enlevez le couvercle avant (Fig. H1).
2. Deux paires de ports externes sont réservées à l'intérieur de l'unité d'alimentation, une paire à gauche étant le port de sortie, la borne gauche étant négative et la borne droite positive (avec un signe positif et négatif sur l'interface) (Fig. H2).
3. Retirez le bloc et utilisez des fils appropriés pour connecter l'unité d'alimentation et l'équipement d'éclairage. L'extrémité de connexion doit être une cosse et peut être connectée par des vis M5 (Fig. H3).
4. Il n'est pas nécessaire de remplacer le bloc. Puis remettez en place le couvercle avant (Fig. H4).

REMARQUE : Un fusible de 12A maximum doit être connecté pour protéger l'unité d'alimentation. Tout dommage causé au produit par l'absence de fusible n'est pas couvert par la garantie.

CONNEXION À L'INTERRUPTEUR DE SÉCURITÉ EXTERNE

Un interrupteur de sécurité externe peut être connecté à l'unité d'alimentation, ce qui permet à l'opérateur d'arrêter l'unité d'alimentation en temps voulu en cas d'urgence.



1. Retirez les six vis du couvercle avant et retirez le couvercle avant (Fig. I1).
2. Il y a deux ports externes réservés à l'intérieur du bloc d'alimentation, utilisez la paire de droite. Desserrez les vis et retirez le câble (Fig. I2).
3. Retirez le bloc et connectez l'unité d'alimentation à l'aide de fils appropriés. L'extrémité de connexion

doit être une cosse et peut être connectée par des vis M5 (Fig. I3).

4. Il n'est pas nécessaire de remplacer le bloc. Puis remettez en place le couvercle avant (Fig. I4).

REMARQUE : L'arrêt du bloc d'alimentation par un interrupteur de sécurité externe ne peut arrêter que le moteur de l'unité et ne peut pas l'éteindre complètement, ce qui signifie que l'unité est toujours en état de mise sous tension. Pour redémarrer l'unité d'alimentation, rétablissez le raccordement électrique de l'interrupteur de sécurité externe.

ÉCRAN LED

VOYANT	SIGNIFICATION	ACTION
	01 protection de blocage du rotor	<ul style="list-style-type: none"> ▪ Coupez le courant et vérifiez qu'il n'y a pas de blocage autour de la charge. Après le nettoyage, redémarrez l'unité d'alimentation. Si la protection de blocage du rotor s'affiche toujours, contactez le centre de maintenance EGO pour réparation.
	02 Basse tension	<ul style="list-style-type: none"> ▪ Rechargez la batterie.

	<p>La batterie est en surchauffe</p>	<ul style="list-style-type: none"> ■ Vérifiez et nettoyez le purificateur d'air. ■ Laissez la batterie refroidir jusqu'à ce que le voyant jaune cesse de clignoter ou essayez d'utiliser une batterie de plus grande capacité.
	<p>L'unité d'alimentation surchauffe</p>	<ul style="list-style-type: none"> ■ Attendez que l'unité d'alimentation refroidisse. ■ Réduisez la charge de travail.
	<p>Protection contre les surintensités de la carte mère</p>	<ul style="list-style-type: none"> ■ Essayer de réduire la charge de travail
	<p>Échec de communication</p>	<ul style="list-style-type: none"> ■ Contactez un centre de réparation EGO pour faire réparer l'outil.

ENTRETIEN

⚠ AVERTISSEMENT : Afin d'éviter tout risque de blessures, retirez la batterie avant toute opération d'entretien ou de nettoyage de l'unité.

⚠ AVERTISSEMENT : L'outil ne doit être réparé qu'avec des pièces de rechange identiques. L'utilisation de toute autre pièce peut créer un danger ou détériorer le produit. Pour garantir la sécurité et la fiabilité, toutes les réparations doivent être effectuées par un réparateur qualifié.

NETTOYAGE DE L'UNITÉ D'ALIMENTATION

- Nettoyez l'unité d'alimentation avec un chiffon humide et un détergent doux. Veillez à ce qu'aucun liquide ne pénètre dans l'unité d'alimentation. N'immergez jamais aucune partie de l'unité dans un liquide.
- N'utilisez pas de détergent puissant sur le boîtier en plastique, car ils peuvent être endommagés par certaines huiles aromatiques, par exemple de pin et de citron, et par les solvants, par exemple l'essence. L'humidité peut également générer un risque de choc électrique. Essuyez les traces d'humidité avec un chiffon doux et sec.

ENTRETIEN DU PURIFICATEUR D'AIR

Retrait

1. Tournez le bouton de blocage dans le sens antihoraire suivant l'indication figurant dessus et retirez le purificateur d'air (Fig. J1).

J1-1	Bouton de blocage
------	-------------------

2. Il est recommandé d'utiliser de l'air comprimé pour nettoyer le maillage du filtre ou de le remplacer le cas échéant (Fig. J2).

J2-1	Couvercle de purificateur d'air	J2-2	Maillage
------	---------------------------------	------	----------

Installation

1. Placez le maillage dans le couvercle du purificateur d'air. Veillez à ce que tous les côtés soient posés à plat sans bosses (Fig. J3).
2. Placez le purificateur d'air sur l'unité d'alimentation.
3. Enfoncez le bouton de blocage et tournez-le dans le sens horaire pour verrouiller le purificateur d'air dans sa position (Fig. J4).

TRANSPORT/STOCKAGE

TRANSPORT DE L'UNITÉ D'ALIMENTATION

⚠ ATTENTION : En cas de dommages sur l'unité d'alimentation, ne laissez jamais l'arbre PTO être touché ou poussé (Fig. K).

STOCKAGE DE L'UNITÉ D'ALIMENTATION

- Retirez la batterie de l'unité d'alimentation.
- Nettoyez l'unité d'alimentation consciencieusement avant de la ranger.
- Rangez l'unité d'alimentation dans un endroit sec, bien aéré et hors de portée des enfants. Ne rangez pas l'unité d'alimentation sur ou à côté d'engrais, d'essence ou d'autres substances chimiques.

PROTECTION DE L'ENVIRONNEMENT

FR



Ne jetez pas les équipements électriques, les batteries et les chargeurs usagés avec les ordures ménagères ! Apportez ce produit chez un recycleur agréé et rendez-le disponible pour une collecte séparée. Les outils électriques doivent être amenés dans un centre de recyclage pour assurer le respect de l'environnement.

DÉPANNAGE

FR

PROBLÈME	CAUSE	SOLUTION
L'unité d'alimentation ne démarre pas.	<ul style="list-style-type: none"> ▪ Pour le PU2710/PU2710RC, le bouton marche/arrêt n'est pas mis sur la position « START ». ▪ Pour le PU2710E, l'interrupteur connecté est allumé avant que la clé ne soit mise en position "ON". ▪ La batterie n'est pas placée correctement dans le compartiment de batterie. ▪ Autres causes non identifiées. 	<ul style="list-style-type: none"> ▪ Mettez l'interrupteur en position « START ». ▪ Mettez toujours d'abord la clé sur la position "ON" avant d'allumer l'interrupteur connecté. ▪ Insérez la batterie dans le logement de batterie et enfoncez-la jusqu'à entendre un déclic. ▪ Contactez un technicien qualifié pour la réparation.
L'unité d'alimentation cesse de fonctionner.	<ul style="list-style-type: none"> ▪ La batterie est déchargée. ▪ L'unité d'alimentation est surchargée. ▪ La batterie surchauffe. ▪ L'unité d'alimentation surchauffe. ▪ Autres causes non identifiées. 	<ul style="list-style-type: none"> ▪ Rechargez la batterie. ▪ Réduisez la charge de travail. ▪ Réduisez la charge de travail ou remplacez la batterie par une batterie de plus grande capacité. ▪ Évitez d'utiliser la batterie dans des conditions de fortes températures. ▪ Vérifiez et nettoyez le purificateur d'air. ▪ Réduisez la charge et évitez d'utiliser l'unité d'alimentation dans des conditions de fortes températures. ▪ Contactez un technicien qualifié pour la réparation.
La vitesse ne change pas lorsque l'on tourne le levier variable en continu.	<ul style="list-style-type: none"> ▪ Si le bruit environnant est trop élevé, il est difficile de reconnaître le changement. ▪ Erreurs non identifiées. 	<ul style="list-style-type: none"> ▪ Arrêtez l'unité et réglez à nouveau la vitesse. Mesurez la différence de vitesse pour vérifier si nécessaire. ▪ Contactez le service client EGO pour toute réparation.
La vitesse diminue automatiquement en cas de charge intense appliquée en continu et se maintient à un faible niveau, d'après le son de fonctionnement émis.	<ul style="list-style-type: none"> ▪ L'unité d'alimentation est dotée d'une fonction de réglage automatique de protection contre la surcharge. 	<ul style="list-style-type: none"> ▪ Réduisez la charge en fonction de la situation, l'unité d'alimentation se remet à fonctionner à pleine vitesse.

GARANTIE

POLITIQUE DE GARANTIE EGO

Rendez-vous sur le site web poweredbyego.com pour consulter l'intégralité des conditions de la politique de garantie EGO.

PRECAUCIONES DE SEGURIDAD

⚠ ADVERTENCIA: Lea todas las advertencias de seguridad, instrucciones, ilustraciones y especificaciones incluidas con esta herramienta. Si no se cumplen todas las instrucciones que se enumeran a continuación, pueden producirse descargas eléctricas, incendios o lesiones graves.

ES

CONSERVE TODAS LAS INSTRUCCIONES Y ADVERTENCIAS PARA PODER CONSULTARLAS EN EL FUTURO.

- **Mantenga la zona de trabajo limpia y bien iluminada.** Las áreas de trabajo desordenadas y oscuras favorecen los accidentes.
- **No ponga en funcionamiento la herramienta eléctrica en entornos explosivos como, por ejemplo, donde haya líquidos inflamables, gases o polvo.**
- Las distracciones podrían hacerle perder el control de la herramienta.
- **El conector (cuando corresponda) debe conectarse a la toma adecuada. No modifique nunca el conector y la toma de ningún modo.** Si no se modifican los conectores y las tomas correspondientes se reducirán enormemente los riesgos de electrocución.
- **Manténgase alerta, preste atención a lo que está haciendo y aplique el sentido común durante el uso de una herramienta eléctrica. No utilice herramientas eléctricas si está cansado o se encuentra bajo los efectos de estupefacientes, alcohol o fármacos.** Cualquier momento de descuido durante la utilización de la herramienta eléctrica podría provocar lesiones graves.
- **Utilice equipo de protección personal.** El equipo de protección, como máscaras antipolvo, calzado de seguridad antideslizante, casco protector o protección auditiva, cuando se utiliza adecuadamente, reduce las lesiones personales.
- **Utilice ropa adecuada. No lleve puesta ropa holgada ni joyas. Mantenga el pelo, la ropa y los guantes alejados de las piezas móviles.** La ropa holgada, así como las joyas o el pelo, largo podrían engancharse en las partes móviles de la herramienta.
- **El hecho de haberse familiarizado con la herramienta por el uso frecuente no debe hacer que se descuide e ignore los principios de seguridad.** Una distracción puede provocar lesiones graves en una fracción de segundo.

- **Las reparaciones de las herramientas eléctricas debe realizarlas un técnico cualificado, utilizando solo piezas de recambio idénticas.** De este modo, podrá garantizarse la seguridad de uso de la herramienta eléctrica.
- **Extreme siempre las precauciones al máximo al poner en marcha la máquina sin tenerla totalmente montada en la herramienta.**
- **No utilice una batería o una herramienta que haya sido modificada o que esté dañada.** Las baterías dañadas o modificadas pueden tener un comportamiento impredecible y provocar un incendio, explosión o riesgo de lesiones.
- **No exponga la batería ni la herramienta al fuego ni a una temperatura excesiva.** La exposición al fuego o a una temperatura superior a 130°C podría provocar una explosión.
- **Siga todas las instrucciones de carga y no cargue la batería ni la herramienta fuera del rango de temperatura especificado en las instrucciones.** Una carga incorrecta o a temperaturas fuera del rango especificado puede dañar la batería y aumentar el riesgo de incendio.
- **No repare nunca baterías que estén dañadas.** Las baterías solo debe repararlas el fabricante o un centro de servicio técnico autorizado.
- Consulte las precauciones sobre baterías indicadas en el manual de instrucciones de la batería.

SÍMBOLOS DE SEGURIDAD

⚠ ADVERTENCIA: Cuando se utilizan herramientas eléctricas, es posible que salgan despedidos objetos que podrían causar lesiones oculares graves. Antes de empezar a usar herramientas eléctricas, póngase siempre gafas de seguridad, gafas con cristales anti-impacto que cuenten con pantallas de protección lateral, o bien una máscara facial que proteja completamente la cara. Recomendamos usar una máscara de seguridad de amplia visión que pueda utilizarse encima de gafas graduadas, o bien gafas normales de seguridad equipadas con pantallas laterales.



Lea y comprenda el manual del usuario



Los productos eléctricos no deben eliminarse con la basura doméstica. Lívelos a un centro de reciclaje autorizado.

IPX5 Grado de protección contra la penetración



Corriente continua

V Tensión

ES

ESPECIFICACIONES

Tensión	56 V
Largo x Ancho x Alto	PU2710/PU2710E: 342 mm x 306 mm x 344 mm PU2710RC: 342 mm x 290 mm x 344 mm
Peso (sin batería)	PU2710/PU2710E: 11.4 kg PU2710RC: 11.5 kg
IP	IPX5
Puerto de la batería	Puertos dobles
Control de la velocidad	Modos Eco/Turbo (variable de forma continua de 1200 a 3600 rpm)
Indicador LED de fallo de funcionamiento	Sí
Sistema de refrigeración	Refrigerado
Filtro de aire	Filtro tipo esponja de fácil sustitución
Potencia neta	3,47 kW @ 3450 rpm
Máx. par neto	9,2 Nm @ 3450 rpm
Freno electrónico	Sí
Eje PTO	Horizontal
Rotación del eje PTO (del lateral del eje PTO)	Sentido antihorario
Dimensiones del eje PTO	Consulte la fig. A2
Temperatura de funcionamiento recomendada	de -15 °C a 40 °C
Temperatura de almacenamiento recomendada	de 0 °C a 50 °C

DESCRIPCIÓN

FAMILIARÍCESE CON LA UNIDAD DE POTENCIA (Fig. A1)

1. Tapa del compartimento de la batería
2. Mecanismo de expulsión
3. Armario de baterías
4. Ranura de liberación de la batería
5. Tornillo de bloqueo
6. Filtro de aire
7. Interruptor de alimentación*
8. Pantalla LED*
 - 8-a. Horas totales de funcionamiento (H)
 - 8-b. Señal Bluetooth
 - 8-c. Señal de velocidad de rotación
 - 8-d. Señal de nivel de batería
 - 8-e. Señal de avería
 - 8-f. Señal de bloqueo
 - 8-g. Señal de temperatura excesiva
9. Palanca de variación continua*
10. Orificio de cableado/bloqueo
11. Base
12. Eje PTO
13. Orificio para ensartar la llave
14. Liberación de la batería
15. Llave (2 ud.)

***NOTA:** La caja del panel de control del interruptor de alimentación, la pantalla LED y la palanca de variación continua están integradas con la unidad de PU2710/PU2710E, pero separadas de la unidad de PU2710RC.

LISTA DE CONTENIDO (FIG. A1)

MONTAJE

■ PU2710

No es necesario ningún montaje.

■ PU2710RC

Conecte la caja del panel de control a la unidad de potencia (fig. B1 y B2)

B1-1	Toma del cable	B1-2	Enchufe del cable
B2-1	Tapa final	B2-2	Tornillo (4 ud.)

■ PU2710E

ES

Conecte la unidad con un interruptor u otro equivalente (no incluido).

1. Quite los seis tornillos de la cubierta frontal y retire la cubierta frontal (Fig. C1).
2. Hay dos puertos externos reservados dentro del cabezal de alimentación, afloje las tuercas (Fig. C2).
3. Quite el bloqueo, utilice cables adecuados para conectar la unidad de alimentación y un interruptor de arranque u otro equivalente. El extremo de conexión debe ser un terminal y puede conectarse mediante las tuercas (Fig. C3).
4. No es necesario volver a poner el bloqueo. Por último, vuelva a colocar la cubierta frontal (Fig. C4).

C1-1	Tornillo (x6)	C2-1	Tuerca y arandela (x2)
C3-1	Bloqueo		

OPERACIÓN

COMPROBACIÓN PRE-FUNCIONAMIENTO

Filtro de aire (fig. D)

Compruebe los elementos del filtro de aire para asegurarse de que están limpios y en buenas condiciones.

Limpie o sustituya los elementos cuando sea necesario, siguiendo las instrucciones del apartado «MANTENIMIENTO DEL FILTRO DE AIRE».

⚠ PRECAUCIÓN: No ponga en funcionamiento la unidad de potencia sin el filtro de aire. Se produciría un desgaste rápido.

CONECTAR/DESCONECTAR LAS BATERÍAS

Utilice únicamente las baterías y cargadores EGO recomendados (fig. A3). Para un rendimiento óptimo, se recomienda fijar: 2 baterías de 12Ah, 2 de 10Ah o al menos 2 de 7,5Ah.

Cargue totalmente la batería antes de usarla por primera vez.

1. **Para instalar la batería,** alinee las nervaduras de la batería con las ranuras de montaje de la unidad de potencia, e introduzca la batería presionándola hacia abajo hasta oír un «clic» (fig. E1).
2. **Para extraer la batería,** coloque el dispositivo de liberación de la batería en la ranura y empújelo hacia

el lado derecho; a continuación, la batería saldrá del compartimento de la batería (fig. E2).

E2-1	Ranura de liberación de la batería
------	------------------------------------

AVISO: la batería solo puede extraerse con el dispositivo de liberación de la batería.

NOTA: No deje el dispositivo de liberación de la batería en la ranura, ya que la batería podría extraerse inesperadamente.

PONER EN FUNCIONAMIENTO LA UNIDAD DE POTENCIA (FIG. F)

■ PU2710/PU2710RC

1. Coloque la llave en la ranura del Interruptor de alimentación y gírela 45° en sentido horario hasta la posición «**ON**»; la unidad de potencia estará lista para funcionar cuando se encienda la pantalla LED y la luz verde de la batería.
2. Vuelva a girar la llave 45° en sentido horario hasta la posición «**START**», la centralita empieza a funcionar.

■ PU2710E

AVISO: Siga siempre los siguientes pasos para arrancar la unidad de alimentación. La unidad de alimentación no puede arrancar si se enciende el interruptor conectado antes de girar la llave a la posición «**ON**».

1. Coloque la llave en la ranura del interruptor de alimentación y gírela a la posición «**ON**». La unidad de alimentación estará lista para funcionar cuando se encienda la pantalla LED y la luz verde del paquete de baterías.
2. Encienda el interruptor conectado (no incluido) y la unidad de alimentación comenzará a funcionar.

AVISO: La llave no puede extraerse de la ranura del interruptor cuando la unidad de potencia está lista para funcionar o en funcionamiento.

DETENER LA UNIDAD DE POTENCIA

■ PU2710/PU2710RC

Para detener la unidad de alimentación temporalmente, basta con girar la llave a la posición «**ON**».

Para detener completamente la unidad de potencia, gire la llave a la posición «**OFF**».

■ PU2710E

Para detener la unidad de alimentación temporalmente, simplemente apague el interruptor conectado (no incluido).

Para detener completamente la unidad de alimentación, gire la llave a la posición «**OFF**».

AVISO: Para evitar arranques imprevistos, gire la llave a la posición «OFF» para apagar completamente la unidad de potencia.

AJUSTE DE LA VELOCIDAD (FIG. G)

Gire la palanca variable de forma continua y utilice la ranura indicadora de la palanca para ayudarle a localizar y seleccionar la velocidad entre «ECO» y «TURBO».

AVISO: También se puede preajustar la velocidad antes de arrancar.

G-1	Ranura indicadora
-----	-------------------

ALIMENTACIÓN DE EQUIPOS DE ILUMINACIÓN

Esta unidad potencia puede suministrar energía a equipos de iluminación externos, y la tensión coincide con la tensión nominal del conjunto de motor.

1. Quite los seis tornillos de la cubierta frontal y retire la cubierta frontal (fig. H1).
2. Hay dos pares de puertos externos reservados en el interior de la unidad de potencia, siendo un par a la izquierda el puerto de salida, y el izquierdo es negativo y el derecho positivo (con un signo positivo y negativo en la interfaz) (fig. H2).
3. Retire el bloqueo y utilice cables adecuados para conectar la unidad de potencia y el equipo de iluminación. El extremo de conexión debe ser un terminal y puede conectarse mediante tornillos M5 (fig. H3).
4. No es necesario volver a colocar el bloqueo. Por último, vuelva a colocar la cubierta frontal (fig. H4).

AVISO: Debe conectarse un fusible de 12 A como máximo para proteger la unidad de potencia. Cualquier daño al producto causado por no conectar un fusible no está cubierto por la garantía.

CONEXIÓN A UN INTERRUPTOR DE SEGURIDAD EXTERNO

Se puede conectar un interruptor de seguridad externo a la unidad de potencia, lo que permite al operador detener la unidad de potencia a tiempo en caso de emergencia.

1. Quite los seis tornillos de la cubierta frontal y retire la cubierta frontal (fig. I1).
2. Hay dos puertos externos reservados en el interior del conjunto de motor, utilice el par de la derecha. afloje los tornillos y retire el cable (fig. I2).
3. Retire el bloqueo y conecte la unidad de potencia con cables adecuados. El extremo de conexión debe ser

un terminal y puede conectarse mediante tornillos M5 (fig. I3).





4. No es necesario volver a colocar el bloqueo. Por último, vuelva a colocar la cubierta frontal (fig. I4).

NOTA: La parada de la unidad de alimentación a través de un interruptor de seguridad externo solo puede detener el motor de la unidad de alimentación y no puede apagar la unidad por completo; lo que significa que toda la unidad se encuentra todavía en el estado de encendido. Para volver a poner en marcha la unidad de alimentación, reanude la conexión eléctrica del interruptor de seguridad externo.

ES

PANTALLA LED

VISUALIZADOR	SIGNIFICADO	ACCIÓN
	protección del rotor de bloqueo	<ul style="list-style-type: none"> ▪ Corta la corriente y comprueba si hay algún bloqueo alrededor de la carga. Después de la limpieza, reinicie la unidad de potencia. Si la protección del rotor de bloqueo sigue apareciendo, póngase en contacto con el centro de servicio EGO para su reparación.
	Baja tensión	<ul style="list-style-type: none"> ▪ Recargue la(s) batería(s).

 <p>03</p>	<p>La batería está a una temperatura excesiva</p>	<ul style="list-style-type: none"> Compruebe y limpie el filtro de aire. Deje que la batería se enfríe hasta que el LED amarillo deje de parpadear o pruebe con batería(s) de mayor capacidad.
 <p>04</p>	<p>La unidad de potencia está a una temperatura excesiva</p>	<ul style="list-style-type: none"> Espere a que la unidad de potencia se enfríe. Reduzca la carga de trabajo.
 <p>05</p>	<p>Protección contra sobrecorriente de la placa principal</p>	<ul style="list-style-type: none"> Intente reducir la carga de trabajo
 <p>06</p>	<p>Fallo de comunicación</p>	<ul style="list-style-type: none"> Póngase en contacto con el servicio de asistencia técnica de EGO para solicitar la reparación de la herramienta.

el conjunto de motor ni sumerja ninguna parte de la herramienta en ningún líquido.

- No utilice detergentes fuertes en la carcasa de plástico. Algunos aceites aromáticos, como aquellos a base de limón o pino, y disolventes como el queroseno, podrían dañar estas piezas. La humedad también puede provocar descargas eléctricas. Utilice un paño suave y seco para eliminar cualquier resto de humedad.

“MANTENIMIENTO DEL FILTRO DE AIRE”.

Extracción

- Gire el tornillo de bloqueo en sentido antihorario según el icono de la ilustración y saque directamente el filtro de aire (fig. J1).

J1-1	Tornillo de bloqueo
------	---------------------

- Se recomienda usar una pistola de aire para limpiar el filtro de esponja cuando sea necesario o sustituirlo directamente por uno nuevo cuando sea necesario (fig. J2).

J2-1	Tapa del filtro de aire	J2-2	Esponja
------	-------------------------	------	---------

Instalación

- Coloque la esponja dentro de la tapa del filtro de aire. Compruebe que está plana por todos los lados sin ninguna elevación (fig. J3).
- Coloque el filtro de aire correctamente en el conjunto de motor.
- Pulse y gire en sentido horario el tornillo de bloqueo para ajustar el filtro de aire en la posición correcta (fig. J4).

TRANSPORTE/ALMACENAJE

TRANSPORTAR LA HERRAMIENTA ELÉCTRICA

⚠ PRECAUCIÓN: Si el conjunto de motor resulta dañado, no permita nunca que el eje PTO sufra un impacto ni fuerza de empuje (fig. K).

ALMACENAMIENTO DEL CONJUNTO DE MOTOR

- Quite las baterías del conjunto de motor.
- Limpie a fondo el conjunto de motor antes de guardarlo.
- Guarde la herramienta en un lugar seco, bien ventilado y fuera del alcance de los niños. No la guarde encima ni cerca de fertilizantes, gasolina u otros productos químicos.

MANTENIMIENTO

⚠ ADVERTENCIA: Para evitar lesiones personales, quite las baterías antes de realizar tareas de mantenimiento y limpieza.

⚠ ADVERTENCIA: Cuando repare el aparato, utilice solo piezas idénticas a las originales. La utilización de otras piezas podría suponer un peligro o causar daños en el producto. Para garantizar la seguridad y fiabilidad de la herramienta, las reparaciones debe realizarlas únicamente un técnico cualificado.

LIMPIEZA DEL CONJUNTO DE MOTOR

- Limpie la herramienta utilizando un paño húmedo con detergente suave. No deje nunca que entre líquido en

PROTECCIÓN DEL MEDIO AMBIENTE



¡No elimine aparatos eléctricos, baterías usadas ni cargadores de baterías junto con los desperdicios domésticos! Lleve este producto a un punto de reciclaje autorizado y deposítelo por separado según corresponda. Las herramientas eléctricas se deben llevar a un punto de reciclaje con fin de proteger el medio ambiente.

ES

SOLUCIÓN DE PROBLEMAS

ES

PROBLEMA	CAUSA	SOLUCIÓN
El conjunto de motor no arranca.	<ul style="list-style-type: none"> En los modelos PU2710/ PU2710RC, el interruptor de alimentación no se cambia a la posición «START». En el modelo PU2710E, se enciende el interruptor conectado antes de girar la llave a la posición «ON». La(s) batería(s) no está(n) montada(s) en su lugar en el compartimento de la batería. Otras causas no identificadas. 	<ul style="list-style-type: none"> Gire el interruptor a la posición «START». En el modelo PU2710E, se enciende el interruptor conectado antes de girar la llave a la posición «ON». Acople la(s) batería(s) en el compartimento de la batería, y empuje hasta escuchar un l acumulador hasta oír un "clic". Póngase en contacto con un técnico de servicio cualificado para que lo repare.
El conjunto de motor deja de funcionar.	<ul style="list-style-type: none"> La(s) batería(s) está(n) agotada(s). El conjunto de motor está sobrecargado. La(s) batería(s) está(n) excesivamente caliente(s). La unidad de motor está excesivamente caliente. Otras causas no identificadas. 	<ul style="list-style-type: none"> Cargue la(s) batería(s). No sobrecargue la máquina. Reduzca el funcionamiento o utilice batería(s) de mayor capacidad. Evite usar la(s) batería(s) en un lugar con temperatura elevada. Compruebe y limpie el filtro de aire. Reduzca la carga y evite usar el conjunto de motor en un lugar con temperaturas excesivamente altas. Póngase en contacto con un técnico de servicio cualificado para que lo repare.
La velocidad no varía al girar la palanca de variación continua.	<ul style="list-style-type: none"> Si en el entorno hay mucho ruido, es difícil identificar los cambios. Fallos no identificados. 	<ul style="list-style-type: none"> Detenga la unidad de potencia y vuelva a ajustar la velocidad. Mida la diferencia de velocidad para realizar la comprobación si fuera necesario. Póngase en contacto con el departamento de atención al cliente de EGO para solicitar una reparación.
La velocidad desciende automáticamente al sobrecargar la herramienta y al mantener una velocidad baja, y esto se identifica por el sonido de funcionamiento.	<ul style="list-style-type: none"> El conjunto de motor tiene una función de ajuste automático para evitar la sobrecarga. 	<ul style="list-style-type: none"> Reduzca la carga de funcionamiento según la situación actual, y la herramienta volver a funcionar a velocidad completa.



GARANTÍA

POLÍTICA DE GARANTÍA DE EGO

Visite la página web poweredbyego.com para conocer los términos y condiciones completos de la política de garantía de EGO.

ES

INSTRUÇÕES DE SEGURANÇA

⚠ AVISO: Leia todos os avisos de segurança, instruções, ilustrações e especificações fornecidas com esta ferramenta. Não seguir todas as instruções apresentadas abaixo pode resultar em choque elétrico, incêndio e/ou ferimentos graves.

PT

GUARDE TODOS OS AVISOS E INSTRUÇÕES PARA FUTURAS REFERÊNCIAS.

- **Mantenha a área de trabalho limpa e bem iluminada.** Áreas desarrumadas ou escuras são propícias a acidentes.
- **Não utilize a unidade da alimentação em atmosferas explosivas, tal como na presença de líquidos inflamáveis, gases ou pó.**
- As distrações podem fazer com que perca o controle.
- **A tomada tem de corresponder à ficha. Nunca modifique uma ficha ou tomada de forma alguma.** O uso de fichas não modificadas e tomadas que correspondam reduz o risco de choque elétrico.
- **Mantenha-se alerta, observe o que está a fazer e use o senso comum quando estiver a utilizar a unidade da alimentação. Não use a unidade da alimentação se estiver cansado ou sob o efeito de drogas, álcool ou medicação.** Um momento de falta de atenção enquanto trabalha com a unidade de alimentação pode dar origem a ferimentos sérios.
- **Use equipamento pessoal de proteção.** O equipamento de segurança, tal como máscara respiratória, calçado de segurança antiderrapante, capacete de segurança, ou proteção auditiva, utilizado nas condições adequadas reduzirá a hipótese de ferimentos.
- **Vista-se adequadamente. Não use roupa larga nem joalheria. Mantenha o seu cabelo e roupa afastados das peças móveis.** Roupa larga, joias ou cabelo comprido podem ser apanhados pelas peças em movimento.
- **Não permita que a familiarização ganhe com a utilização de ferramentas o torne mais complacente e ignore os princípios de segurança da ferramenta.** Uma ação descuidada pode causar graves ferimentos numa fração de segundo.
- **A reparação da sua unidade de alimentação deverá ser sempre efetuada por pessoas qualificadas, utilizando apenas peças sobresselentes idênticas.** Tal irá assegurar que a segurança da unidade de alimentação é mantida.

- **Tenha especial cuidado quando ligar a unidade de alimentação sem montar a ferramenta por completo.**
- **Não use a bateria nem a ferramenta se estiverem danificadas ou modificadas.** Baterias danificadas ou modificadas podem apresentar comportamentos imprevisíveis, dando origem a fogo, explosão ou risco de ferimentos.
- **Não exponha a bateria ou a ferramenta ao fogo ou temperatura excessiva.** A exposição ao fogo ou a temperaturas acima dos 130 °C pode causar uma explosão.
- **Siga todas as instruções de carregamento e não carregue a bateria nem a ferramenta a uma temperatura fora dos parâmetros especificados nas instruções.** Carregar incorretamente ou a temperaturas fora dos parâmetros especificados pode danificar a bateria e aumentar o risco de fogo.
- **Nunca tente reparar uma bateria danificada.** A reparação das baterias só deverá ser efetuada pelo fabricante ou por um reparador autorizado.
- Consulte o manual de instruções da bateria para obter precauções relativas às baterias.

SÍMBOLOS DE SEGURANÇA

⚠ AVISO: O funcionamento de qualquer ferramenta elétrica pode dar origem ao ressalto de quaisquer objetos estranhos que podem atingir os olhos, podendo dar origem a sérias lesões oculares. Antes de começar a utilizar a ferramenta elétrica, utilize sempre óculos de segurança com proteções laterais e uma proteção completa para a cara, quando necessário. Recomendamos Máscaras de Segurança com Visão Panorâmica por cima de óculos, ou óculos de segurança padrão com proteção lateral.



Leia e compreenda o manual de instruções.

IPX5 Grau de proteção de entrada

V Voltagem



Os produtos elétricos residuais não deverão ser eliminados juntamente com o lixo doméstico comum. Entregue-os num centro de reciclagem autorizado.



Corrente direta

PT

CARACTERÍSTICAS TÉCNICAS

Voltagem	56V ---
Comprimento x Largura x Altura	PU2710/PU2710E: 342 mm x 306 mm x 344 mm PU2710RC: 342 mm x 290 mm x 344 mm
Peso (sem a bateria)	PU2710/PU2710E: 11.4 kg PU2710RC: 11.5 kg
IP	IPX5
Porta da bateria	Duas portas
Controlo da velocidade	Modos Eco/Turbo (variável contínua de 1200-3600 RPM)
Indicador LED de mau funcionamento	Sim
Sistema de arrefecimento	Refrigerado a ar
Filtro do ar	Rede de esponja facilmente substituível
Saída de potência útil	3,47 kW @ 3450 RPM
Binário líquido máximo	9,2 N.m @ 3450 RPM
Travão eletrónico	Sim
Eixo PTO	Horizontal
Rotação do eixo PTO (do lado do eixo PTO)	Sentido inverso ao dos ponteiros do relógio
Dimensões do eixo PTO	Consulte a Imagem A2
Temperatura de funcionamento recomendada	-15°C – 40°C
Temperatura de armazenamento recomendada	0°C – 50°C

DESCRIÇÃO

CONHEÇA A SUA UNIDADE DE ALIMENTAÇÃO (Imagem A1)

1. Tampa do compartimento da bateria
2. Mecanismo de ejeção
3. Bloqueio da bateria
4. Ranhura de libertação da bateria
5. Manípulo de fixação
6. Filtro do ar
7. Interruptor da alimentação*
8. Ecrã LED*
 - 8-a. Total de horas de funcionamento (H)
 - 8-b. Sinal de Bluetooth
 - 8-c. Sinal de velocidade rotacional
 - 8-d. Sinal do nível da bateria
 - 8-e. Sinal de mau funcionamento
 - 8-f. Sinal de bloqueio
 - 8-g. Sinal de temperatura excessiva
9. Alavanca da variável contínua*
10. Orifício da cablagem/bloqueio
11. Base
12. Eixo PTO
13. Orifício roscante para a chave
14. Libertação da bateria
15. Chave (x2)

***NOTA:** A caixa do painel de controlo do interruptor da alimentação, ecrã LED e alavanca da variável contínua estão integrados na unidade PU2710/PU2710E, mas separados da unidade PU2710RC.

LISTA DE PEÇAS (IMAGEM A1)

MONTAGEM

■ PU2710

Não é necessária montagem.

■ PU2710RC

Ligue a caixa do painel de controlo à unidade de alimentação (Imagem B1 e B2)

B1-1	Tomada do cabo	B1-2	Ficha do cabo
B2-1	Cobertura da extremidade	B2-2	Parafuso (x4)

■ **PU2710E**

Ligue a unidade com um interruptor ou outro equivalente (não fornecido)

1. Retire os seis parafusos da cobertura dianteira, e retire a cobertura dianteira (Imagem C1).
2. Existem duas portas externas reservadas no interior da cabeça de alimentação. Desaperte as porcas (Imagem C2).
3. Retire o bloco, use fios adequados para ligar a unidade de alimentação e um interruptor de ligar ou outro equivalente. A extremidade de ligação deverá ser um terminal e pode ser ligada através de porcas (Imagem C3).
4. Não precisa de voltar a colocar o bloco. Finalmente, volte a colocar a cobertura dianteira (Imagem C4).

C1-1	Parafuso (x6)	C2-1	Porca e Anilha (x2)
C3-1	Bloco		

FUNCIONAMENTO

VERIFICAÇÃO ANTES DA UTILIZAÇÃO

Filtro do ar (Imagem D)

Verifique os elementos do filtro do ar para se certificar de que estão limpos e em bom estado.

Limpe ou substitua os elementos se necessário, de acordo com as instruções na secção **“REPARAÇÃO DO FILTRO DO AR”**.

⚠ CUIDADO: Nunca utilize a unidade de alimentação sem o filtro do ar. Isso dará origem a um desgaste rápido.

COLOCAÇÃO/LIBERTAÇÃO DA BATERIA

Use apenas com as baterias EGO recomendadas e carregadores (Imagem A3). Para um desempenho ótimo, recomendamos que fixe: 2 baterias 12Ah, 2 baterias 10Ah ou, pelo menos, 2 baterias de 7,5Ah.

Carregue por completo antes da primeira utilização.

1. **Para fixar a bateria,** alinhe as abas da bateria com as ranhuras de orientação da unidade da alimentação e pressione a bateria para baixo até ouvir um “clique” (Imagem E1).
2. **Para libertar a bateria,** coloque o libertador da bateria na ranhura e pressione para a direita. Depois, a bateria sai do respetivo compartimento (Imagem E2).

E2-1	Ranhura de libertação da bateria
------	----------------------------------

AVISO: A bateria só pode ser libertada através do libertador da bateria.

NOTA: Não deixe o libertador da bateria na ranhura, caso a bateria tenha de ser retirada inesperadamente.

LIGAR A UNIDADE DE ALIMENTAÇÃO (IMAGEM F)

■ **PU2710E/ PU2710RC**

1. Coloque a chave na ranhura do Interruptor da alimentação e rode 45° no sentido dos ponteiros do relógio para a posição de **ligado**. A unidade de alimentação estará pronta para funcionar quando o ecrã LED e a luz verde da bateria se ligarem.
2. Rode novamente a chave 45° no sentido dos ponteiros do relógio para a posição de **iniciar** e a unidade de alimentação começa a funcionar.

■ **PU2710E**

AVISO: Siga sempre os passos apresentados abaixo para ligar a unidade da alimentação. A unidade da alimentação não pode ser iniciada se o interruptor conectado estiver ligado antes de rodar a chave para a posição **“ON”**.

1. Coloque a chave na ranhura do interruptor da alimentação e rode para a posição **“ON”**. A unidade da alimentação ficará pronta para funcionar quando o ecrã LED e a luz verde da bateria forem ligados.
2. Ligue o interruptor conectado (não fornecido). A unidade da alimentação começa a funcionar.

AVISO: A chave não pode ser retirada da ranhura do interruptor quando a unidade de alimentação estiver pronta para funcionar ou já em funcionamento.

PARAR A UNIDADE DE ALIMENTAÇÃO

■ **PU2710E/ PU2710RC**

Para parar temporariamente a unidade de alimentação, basta rodar a chave para a posição de **ligado**.

Para parar a unidade de alimentação por completo, basta rodar a chave para a posição de **desligado**.

■ **PU2710E**

Para parar temporariamente a unidade da alimentação, desligue o interruptor conectado (não fornecido).

Para parar a unidade da alimentação por completo, rode a chave para a posição **“OFF”**.

AVISO: Para evitar um arranque inesperado, rode a chave para a posição de desligado para desligar a unidade de alimentação por completo.

AJUSTE DA VELOCIDADE (IMAGEM G)

Rode a alavanca da variável contínua e use a ranhura indicada na alavanca para o ajudar a localizar e selecionar a velocidade entre “ECO” e “TURBO”.

AVISO: A velocidade também pode ser predefinida antes de iniciar.

G-1	Ranhura indicadora
-----	--------------------

ALIMENTAR EQUIPAMENTO DE ILUMINAÇÃO

Esta unidade de alimentação pode alimentar equipamento de iluminação externo, e a voltagem é consistente com a voltagem nominal na cabeça de alimentação.

1. Retire os seis parafusos da cobertura dianteira, e retire a cobertura dianteira (Imagem H1).
2. Existem dois pares de portas externas reservadas no interior da unidade de alimentação, com um par da esquerda sendo a porta de saída e a esquerda é negativa e a direita é positiva (com um sinal de positivo e de negativo na interface) (Imagem H2).
3. Retire o bloco e use fios adequados para ligar a unidade de alimentação e o equipamento de iluminação. A extremidade de ligação deverá ser um terminal e pode ser ligada através de parafusos M5 (Imagem H3).
4. Não precisa de voltar a colocar o bloco. Finalmente, volte a colocar a cobertura dianteira (Imagem H4).

AVISO: Um fusível com não mais do que 12A tem de ser ligado para proteger a unidade de alimentação. Qualquer dano no produto causado por não ter ligado um fusível não é abrangido pela garantia.

LIGAÇÃO A UM INTERRUPTOR DE SEGURANÇA EXTERNO

Um interruptor de segurança externo pode ser ligado à unidade de alimentação, permitindo ao operador parar a unidade de alimentação a tempo no caso de emergências.

1. Retire os seis parafusos da cobertura dianteira, e retire a cobertura dianteira (Imagem I1).
2. Existem duas portas externas reservadas no interior da cabeça de alimentação. Use o par da direita. Desaperte os parafusos e retire o fio (Imagem I2).
3. Retire o bloco e ligue a unidade de alimentação com fios adequados. A extremidade de ligação deverá ser um terminal e pode ser ligada através de parafusos M5 (Imagem I3).
4. Não precisa de voltar a colocar o bloco. Finalmente, volte a colocar a cobertura dianteira (Imagem I4).

NOTA: Parar a unidade de alimentação através de um interruptor de segurança externo só pára o motor da unidade de alimentação e não desliga a unidade por completo, o que significa que toda a unidade continua ligada. Para reiniciar a unidade de alimentação, continue a ligação elétrica do interruptor de segurança externo.

VISOR DO ECRÃ LED

VISOR	SIGNIFICADO	AÇÃO
	Proteção do rotor de bloqueio	<ul style="list-style-type: none"> ▪ Corte a alimentação e verifique se existem bloqueios em redor da carga. Após a limpeza, reinicie a unidade de alimentação. Se a proteção do rotor de bloqueio continuar a aparecer, contacte o centro de reparação da EGO para efetuar a reparação.
	Baixa voltagem	<ul style="list-style-type: none"> ▪ Carregue a(s) bateria(s).
	A bateria está quente demais.	<ul style="list-style-type: none"> ▪ Verifique e limpe o filtro do ar. ▪ Deixe a bateria arrefecer até que o LED amarelo pare de piscar, ou tente baterias com uma maior capacidade.

PT

	<p>A unidade de alimentação está quente demais.</p>	<ul style="list-style-type: none"> ▪ Espere que a unidade de alimentação arrefeça. ▪ Reduza a carga de trabalho.
	<p>Proteção contra corrente excessiva do quadro principal.</p>	<ul style="list-style-type: none"> ▪ Tente reduzir a carga de trabalho.
	<p>Falha na comunicação.</p>	<ul style="list-style-type: none"> ▪ Contacte o centro de reparação da EGO para efetuar a reparação.

MANUTENÇÃO

⚠ AVISO: Para evitar ferimentos, retire a bateria antes da reparação ou limpeza da unidade.

⚠ AVISO: Quando fizer a manutenção, utilize peças de substituição idênticas. A utilização de outras peças pode constituir um perigo ou provocar danos no produto. Para garantir a segurança e bom funcionamento, todas as reparações deverão ser efetuadas por um técnico de reparação qualificado.

LIMPAR A UNIDADE DA ALIMENTAÇÃO

- Limpe a unidade de alimentação com um pano ligeiramente embebido em água e um detergente neutro. Nunca permita que entre líquido na unidade da alimentação, e nunca coloque qualquer parte do aparelho dentro de qualquer líquido.
- Não utilize detergentes fortes na estrutura de plástico. Estes podem ser danificados por determinados óleos aromáticos, como pinho e limão e por solventes como querosene. A humidade também pode causar um perigo de choque. Retire qualquer vestígio de humidade com um pano suave e seco.

REPARAÇÃO DO FILTRO DO AR

Para retirar

1. Rode o manípulo de fixação no sentido inverso ao dos ponteiros do relógio, de acordo com a imagem, e retire diretamente o filtro do ar (Imagem J1).

J1-1	Manípulo de fixação
------	---------------------

2. Recomendamos que use uma pistola de ar para limpar o filtro de rede de esponja, conforme necessário, ou que substitua por um novo, caso seja necessário (Imagem J2).

J2-1	Cobertura do filtro do ar	J2-2	Rede de esponja
------	---------------------------	------	-----------------

Para instalar

1. Coloque a rede de esponja na cobertura do filtro do ar. Certifique-se de que todos os lados estão planos e sem saliências (Imagem J3).
2. Coloque corretamente o filtro do ar na unidade da alimentação.
3. Pressione o manípulo de fixação e rode-o no sentido dos ponteiros do relógio para fixar o filtro do ar no respetivo lugar (Imagem J4).

TRANSPORTE/ARMAZENAMENTO

TRANSPORTAR A UNIDADE DA ALIMENTAÇÃO

⚠ CUIDADO: No caso de danos na unidade da alimentação, nunca permita que o eixo PTO sofra impactos, nem pressione com força o eixo PTO (Imagem K).

GUARDAR A UNIDADE DE ALIMENTAÇÃO

- Retire a bateria da unidade de alimentação.
- Limpe bem a unidade de alimentação antes de a guardar.
- Guarde a unidade de alimentação num local seco e bem ventilado, fora do alcance das crianças. Não guarde a unidade de alimentação em cima ou perto de fertilizantes, gasolina ou outros químicos.

PROTEJA O AMBIENTE



Não elimine equipamento elétrico, bateria gasta nem carregador juntamente com o lixo doméstico comum! Leve este produto a um centro de reciclagem autorizado para que possa haver uma separação das peças. As ferramentas elétricas têm de ser devolvidas em instalações de reciclagem ambientalmente compatíveis.

PT

RESOLUÇÃO DE PROBLEMAS

PT

PROBLEMA	CAUSA	SOLUÇÃO
A unidade da alimentação não liga.	<ul style="list-style-type: none"> Para a PU2710/PU2710RC, o interruptor da alimentação não é colocado na posição "START". Para a PU2710E, o interruptor conectado é ligado antes de rodar a chave para a posição "ON". A bateria não está montada no respetivo lugar do compartimento da bateria. Outras causas não identificadas. 	<ul style="list-style-type: none"> Coloque o interruptor na posição de iniciar. Rode sempre primeiro a chave para a posição "ON", depois ligue o interruptor conectado. Fixe a bateria no compartimento da bateria e pressione-a até ouvir um "clique". Contacte um técnico de reparação qualificado para proceder à reparação.
A unidade da alimentação pára de funcionar.	<ul style="list-style-type: none"> A bateria está gasta. A unidade da alimentação está sobrecarregada. A bateria está quente demais. A unidade de alimentação tem uma temperatura excessiva. Outras causas não identificadas. 	<ul style="list-style-type: none"> Carregue a(s) bateria(s). Reduza a carga de trabalho. Reduza a carga de trabalho ou substitua por baterias de maior capacidade. Evite usar a bateria com temperaturas muito altas. Verifique e limpe o filtro do ar. Reduza a carga e evite usar a unidade da alimentação com altas temperaturas. Contacte um técnico de reparação qualificado para proceder à reparação.
A velocidade não muda quando se roda a alavanca da variável contínua.	<ul style="list-style-type: none"> Se o ambiente em redor tiver muitos ruídos, pode ser difícil reconhecer as alterações. Falhas não identificadas. 	<ul style="list-style-type: none"> Pare a unidade de alimentação e ajuste de novo a velocidade. Meça a diferença de velocidade, se necessário. Contacte o serviço de apoio ao cliente da EGO para proceder à reparação.
A velocidade desce automaticamente quando há uma sobrecarga contínua, e mantém a baixa velocidade, o que pode ser identificado através do som de funcionamento.	<ul style="list-style-type: none"> A unidade da alimentação tem uma função de ajuste automático para proteção contra sobrecarga. 	<ul style="list-style-type: none"> Reduza a carga de acordo com a situação atual. A unidade de alimentação volta à velocidade máxima.

GARANTIA

POLÍTICA DE GARANTIA EGO

Visite o website poweredbyego.com para os termos e condições completos da política de garantia da EGO.

AVVERTENZE DI SICUREZZA

⚠ AVVERTENZA! Consultare tutte le avvertenze di sicurezza, le istruzioni, le illustrazioni e le specifiche fornite insieme a questo apparecchio. Il mancato rispetto delle istruzioni sotto riportate comporta il rischio di scossa elettrica, incendio e/o gravi infortuni.

CONSERVARE TUTTE LE AVVERTENZE E LE ISTRUZIONI PER FUTURO RIFERIMENTO.

- **Mantenere l'area di lavoro pulita e ben illuminata.** Il disordine e la scarsa illuminazione favoriscono gli incidenti.
- **Non usare l'unità di alimentazione in atmosfere esplosive, ad esempio in presenza di liquidi, gas o polveri infiammabili.**
- Le distrazioni possono causare la perdita di controllo.
- **La spina deve essere adatta alla presa (se applicabile). Non modificare la spina e la presa in alcun modo.** L'uso di spine originali corrispondenti al tipo di presa riduce il rischio di scossa elettrica.
- **Durante l'uso dell'unità di alimentazione, prestare sempre la massima attenzione e utilizzare il buon senso. Non usare l'unità di alimentazione se si è stanchi o sotto l'effetto di droghe, alcol o farmaci.** Un solo attimo di disattenzione durante l'uso dell'unità di alimentazione può provocare gravi infortuni.
- **Indossare dispositivi di protezione individuale.** I dispositivi di protezione individuale come maschere antipolvere, calzature antiscivolo, caschi e cuffie per le orecchie, se utilizzati quando le circostanze lo richiedono, riducono il rischio di infortuni.
- **Vestirsi in modo adeguato. Non indossare indumenti ampi o gioielli. Tenere capelli e indumenti lontani dalle parti in movimento.** Indumenti ampi, gioielli o capelli lunghi possono rimanere impigliati nelle parti in movimento.
- **Non lasciare che la familiarità con l'utensile (derivata da un uso frequente) abbassi il livello di attenzione.** Anche una minima distrazione può causare gravi infortuni.



Leggere e comprendere il manuale di istruzioni

IPX5 Grado di protezione

V Tensione

- **Affidare la riparazione dell'unità di alimentazione a personale qualificato e utilizzare esclusivamente parti di ricambio identiche.** Ciò garantisce la sicurezza dell'unità di alimentazione.
- **Prestare particolare attenzione durante l'accensione dell'unità di alimentazione se l'utensile non è assemblato completamente.**
- **Non usare gruppi batteria o utensili danneggiati o modificati.** Le batterie danneggiate o modificate possono manifestare comportamenti imprevisi, con il rischio di incendio, esplosione o infortuni.
- **Non esporre il gruppo batteria o l'utensile a fiamme o temperature eccessive.** L'esposizione a fiamme o temperature superiori a 130°C comporta il rischio di esplosione.
- **Rispettare tutte le istruzioni relative alla ricarica e non ricaricare il gruppo batteria o l'utensile a temperature diverse da quelle specificate nelle istruzioni.** Una ricarica eseguita in modo improprio o a temperature diverse da quelle specificate può danneggiare la batteria e aumentare il rischio di incendio.
- **Non riparare gruppi batteria danneggiati.** La riparazione dei gruppi batteria deve essere effettuata esclusivamente dal costruttore o da un centro di assistenza autorizzato.
- Consultare le avvertenze di sicurezza relative ai gruppi batteria riportate nel manuale di istruzioni del gruppo batteria.

SIMBOLI DI SICUREZZA

⚠ AVVERTENZA! L'uso di apparecchi elettrici può causare il lancio di oggetti estranei verso l'operatore, con il rischio di lesioni gravi agli occhi. Durante l'uso dell'apparecchio, indossare sempre occhiali protettivi o occhiali di sicurezza con protezioni laterali e, se necessario, una maschera facciale. Si raccomanda di indossare una maschera di sicurezza con ampio campo visivo sopra gli occhiali o occhiali di sicurezza standard con protezioni laterali.



Gli apparecchi elettrici non devono essere smaltiti insieme ai rifiuti domestici. Portarli presso un centro di riciclaggio autorizzato.

 Corrente continua

SPECIFICHE TECNICHE

Tensione	56 V $\overline{\text{---}}$
Lunghezza x larghezza x altezza	PU2710/PU2710E: 342 mm x 306 mm x 344 mm PU2710RC: 342 mm x 290 mm x 344 mm
Peso (senza gruppo batteria)	PU2710/PU2710E: 11.4 kg PU2710RC: 11.5 kg
IP	IPX5
Presca per batteria	Due prese
Regolazione della velocità	Modalità Eco/Turbo (velocità variabile in modo continuo 1200-3600 RPM)
Indicatore luminoso di malfunzionamento	Sì
Sistema di raffreddamento	Raffreddamento ad aria
Filtro dell'aria	Filtro in spugna facilmente sostituibile
Potenza in uscita netta	3,47 kW @ 3450 RPM
Coppia netta max.	9,2 N·m @ 3450 RPM
Freno elettronico	Sì
Albero PTO	Orizzontale
Rotazione dell'albero PTO (dal lato dell'albero PTO)	Antioraria
Dimensioni dell'albero PTO	Vedere Fig. A2
Temperatura di funzionamento raccomandata	Da -15°C a 40°C
Temperatura di conservazione raccomandata	Da 0°C a 50°C

DESCRIZIONE

DESCRIZIONE DELL'UNITÀ DI ALIMENTAZIONE (Fig. A1)

1. Coperchio del vano batteria
2. Meccanismo di espulsione
3. Dispositivo di bloccaggio della batteria

4. Fessura di rilascio della batteria
5. Manopola di bloccaggio
6. Filtro dell'aria
7. Interruttore di alimentazione*
8. Display LED*
 - 8-a. Ore totali di funzionamento (H)
 - 8-b. Simbolo Bluetooth
 - 8-c. Indicatore della velocità di rotazione
 - 8-d. Indicatore del livello della batteria
 - 8-e. Indicatore di malfunzionamento
 - 8-f. Indicatore di bloccaggio
 - 8-g. Indicatore di surriscaldamento
9. Leva di velocità variabile*
10. Foro per cavi/morsetteria
11. Base
12. Albero PTO
13. Foro di aggancio della chiave
14. Dispositivo di rilascio della batteria
15. Chiave (x2)

***NOTA:** il pannello di controllo dell'interruttore di alimentazione, del display e della leva di velocità variabile è integrato nell'unità di PU2710/PU2710E, ma è separato dall'unità di PU2710RC.

CONTENUTO DELL'IMBALLAGGIO (FIG. A1)

ASSEMBLAGGIO

■ PU2710

Non è necessario assemblarlo.

■ PU2710RC

Collegare il pannello di controllo all'unità di alimentazione (Fig. B1 e B2)

B1-1	Presca del cavo	B1-2	Connettore del cavo
B2-1	Copertura terminale	B2-2	Vite (x4)

■ PU2710E

Collegare l'unità a un interruttore o dispositivo equivalente (non fornito).

1. Rimuovere le sei viti dalla copertura anteriore, quindi rimuovere la copertura anteriore (Fig. C1).
2. All'interno dell'unità di alimentazione sono presenti due coppie di prese esterne; allentare i dadi (Fig. C2).
3. Rimuovere il blocco e usare dei cavi appropriati per collegare l'unità di alimentazione e un interruttore di avvio/arresto o dispositivo equivalente. I capocorda dei cavi possono essere collegati tramite i dadi (Fig. C3).

4. Riposizionare la copertura anteriore (non è necessario riposizionare il blocco (Fig. C4).

C1-1	Vite (x6)	C2-1	Dado e rondella (x2)
C3-1	Blocco		

UTILIZZO

CONTROLLI PRELIMINARI

Filtro dell'aria (Fig. D)

Controllare gli elementi del filtro dell'aria per assicurarsi che siano puliti e in buone condizioni.

Se necessario, pulire o sostituire gli elementi come descritto alla sezione "PULIZIA DEL FILTRO DELL'ARIA".

⚠ ATTENZIONE! Non mettere in funzione l'unità di alimentazione senza il filtro dell'aria per evitarne la rapida usura.

INSERIMENTO/RIMOZIONE DEL GRUPPO BATTERIA

Usare esclusivamente i gruppi batteria e i caricabatteria EGO raccomandati (Fig. A3). Per prestazioni ottimali, si raccomanda di inserire: 2 gruppi batteria da 12 Ah, 2 gruppi batteria da 10 Ah o almeno 2 gruppi batteria da 7,5 Ah.

Ricaricare completamente la batteria prima del primo utilizzo.

1. **Per inserire il gruppo batteria**, allineare i rilievi sul gruppo batteria con le scanalature sull'unità di alimentazione e premere il gruppo batteria fino al "clic" (Fig. E1).
2. **Per rimuovere il gruppo batteria**, inserire il dispositivo di rilascio della batteria nell'apposita fessura e spingerlo verso destra; la batteria verrà espulsa automaticamente (Fig. E2).

E2-1	Fessura di rilascio della batteria
------	------------------------------------

NOTA: la batteria può essere espulsa esclusivamente con il dispositivo di rilascio della batteria.

NOTA: non lasciare il dispositivo di rilascio della batteria all'interno della fessura per evitare l'espulsione accidentale della batteria.

ACCENSIONE DELL'UNITÀ DI ALIMENTAZIONE (FIG. F)

■ PU2710/PU2710RC

1. Per accendere l'unità di alimentazione, inserire la chiave interruttore di alimentazione e girarla di 45° in senso orario fino alla posizione "ON"; il display

LED e l'indicatore verde sul gruppo batteria si illumineranno.

2. Per mettere in funzione l'unità di alimentazione, girare nuovamente la chiave di 45° in senso orario fino alla posizione "START".

■ PU2710E

NOTA: rispettare i passaggi descritti di seguito per avviare l'unità di alimentazione. L'unità non si avvierà se l'interruttore collegato viene attivato prima di portare la chiave in posizione "ON".

1. Inserire la chiave nella fessura dell'interruttore di alimentazione e girarla fino alla posizione "ON". Il display LED e l'indicatore verde sul gruppo batteria si illumineranno, a indicare che l'unità di alimentazione è pronta all'uso.
2. Attivare l'interruttore collegato (non fornito); l'unità di alimentazione entrerà in funzione.

NOTA: la chiave non può essere rimossa dall'interruttore quando l'unità di alimentazione è accesa o in funzione.

ARRESTO E SPEGNIMENTO DELL'UNITÀ DI ALIMENTAZIONE

■ PU2710/PU2710RC

Per arrestare temporaneamente l'unità di alimentazione, portare la chiave in posizione "ON".

Per spegnere completamente l'unità di alimentazione, portare la chiave in posizione "OFF".

■ PU2710E

Per arrestare temporaneamente l'unità di alimentazione, disattivare l'interruttore collegato (non fornito).

Per spegnere completamente l'unità di alimentazione, portare la chiave in posizione "OFF".

NOTA: per evitare il rischio di accensione accidentale, portare la chiave in posizione "OFF" per spegnere completamente l'unità di alimentazione.

REGOLAZIONE DELLA VELOCITÀ (FIG. G)

Ruotare la leva di velocità variabile e portare l'indicatore sulla leva in corrispondenza della velocità "ECO" o "TURBO".

NOTA: è possibile regolare la velocità anche prima dell'avvio.

G-1	Indicatore sulla leva
-----	-----------------------

ALIMENTAZIONE DI DISPOSITIVI DI ILLUMINAZIONE

L'unità di alimentazione può alimentare dispositivi di

illuminazione esterni, con tensione pari alla tensione nominale dell'unità di alimentazione.

1. Rimuovere le sei viti dalla copertura anteriore, quindi rimuovere la copertura anteriore (Fig. H1).
2. All'interno dell'unità di alimentazione sono presenti due coppie di prese esterne; la coppia a sinistra è la coppia di uscita. Di questa coppia, la presa a sinistra è negativa e la presa a destra è positiva (contrassegnate dal rispettivo simbolo) (Fig. H2).
3. Rimuovere il blocco e usare dei cavi appropriati per collegare l'unità di alimentazione al dispositivo di illuminazione. I capocorda dei cavi possono essere collegati tramite viti M5 (Fig. H3).
4. Riposizionare la copertura anteriore (non è necessario riposizionare il blocco (Fig. H4).

NOTA: per proteggere l'unità di alimentazione è necessario collegare un fusibile con corrente di intervento non superiore a 12 A. Eventuali danni al prodotto causati dal mancato collegamento di un fusibile non sono coperti dalla garanzia.




COLLEGAMENTO A UN INTERRUTTORE DI SICUREZZA ESTERNO

L'unità di alimentazione può essere collegata a un interruttore di sicurezza esterno per arrestarla tempestivamente in caso di emergenza.

1. Rimuovere le sei viti dalla copertura anteriore, quindi rimuovere la copertura anteriore (Fig. I1).
2. All'interno dell'unità di alimentazione sono presenti due coppie di prese esterne; usare la coppia a destra. Allentare le viti e rimuovere il cavo (Fig. I2).
3. Rimuovere il blocco e collegare l'unità di alimentazione con cavi appropriati. I capocorda dei cavi possono essere collegati tramite viti M5 (Fig. I3).
4. Riposizionare la copertura anteriore (non è necessario riposizionare il blocco (Fig. I4).

NOTA: l'arresto dell'unità di alimentazione tramite un interruttore di sicurezza esterno comporta esclusivamente lo spegnimento del motore, ma non dell'intera unità di alimentazione, che quindi rimarrà operativa. Per riavviare l'unità di alimentazione, ripristinare il collegamento elettrico tramite l'interruttore di sicurezza esterno.

SIGNIFICATO DEGLI INDICATORI SUL DISPLAY

INDICATORE	SIGNIFICATO	AZIONE
	Rotore bloccato	<ul style="list-style-type: none"> ▪ Spegnerne l'alimentazione e rimuovere le cause del bloccaggio del carico. Dopo la pulizia, riavviare l'unità di alimentazione. Se l'indicatore di bloccaggio rimane acceso, contattare il centro di assistenza EGO per la riparazione.
	Bassa tensione	<ul style="list-style-type: none"> ▪ Ricaricare i gruppi batteria.
	Gruppo batteria surriscaldato	<ul style="list-style-type: none"> ▪ Controllare e pulire il filtro dell'aria. ▪ Attendere che la batteria si raffreddi finché l'indicatore giallo non smette di lampeggiare; in alternativa, usare un gruppo batteria di capacità superiore.

04 + 	Unità di alimentazione surriscaldata	<ul style="list-style-type: none"> Attendere che l'unità di alimentazione si raffreddi. Ridurre il carico.
05	Sovraccorrente della scheda principale	<ul style="list-style-type: none"> Ridurre il carico.
06	Problema di comunicazione	<ul style="list-style-type: none"> Contattare il centro di assistenza EGO per la riparazione.

- Ruotare la manopola di bloccaggio in senso antiorario, come indicato dal simbolo sulla manopola, ed estrarre filtro dell'aria (Fig. J1).

J1-1	Manopola di bloccaggio
------	------------------------

- Si raccomanda di pulire il filtro in schiuma con aria compressa; se necessario, sostituirlo con un filtro nuovo (Fig. J2).

J2-1	Coperchio del filtro dell'aria	J2-2	Filtro in spugna
------	--------------------------------	------	------------------

IT

Installazione

- Posizionare il filtro in spugna nel coperchio del filtro dell'aria. Assicurarsi che sia completamente teso e privo di rigonfiamenti (Fig. J3).
- Posizionare il filtro dell'aria sull'unità di alimentazione.
- Premere la manopola di bloccaggio e ruotarla per bloccare il filtro dell'aria in posizione (Fig. J4).

TRASPORTO E CONSERVAZIONE

TRASPORTO DELL'UNITÀ DI ALIMENTAZIONE

ATTENZIONE! Se l'unità di alimentazione è danneggiata, non spingere o forzare l'albero PTO per inserirlo (Fig. K).

CONSERVAZIONE DELL'UNITÀ DI ALIMENTAZIONE

- Rimuovere il gruppo batteria dall'unità di alimentazione.
- Pulire accuratamente l'unità di alimentazione prima di riporla.
- Riporre l'unità di alimentazione in un luogo asciutto, ben ventilato e fuori dalla portata dei bambini. Non conservare l'unità di alimentazione sopra o in prossimità di fertilizzanti, benzina o altre sostanze chimiche.

PROTEZIONE DELL'AMBIENTE



Non smaltire gli apparecchi elettrici, i caricabatteria e le batterie insieme ai rifiuti domestici. Portare il prodotto presso un centro di riciclaggio autorizzato affinché venga raccolto separatamente. Gli apparecchi elettrici devono essere portati presso un centro di riciclaggio ecocompatibile.

MANUTENZIONE

AVVERTENZA! Per evitare il rischio di lesioni, rimuovere i gruppi batteria prima di sottoporre l'unità di alimentazione a pulizia o manutenzione.

AVVERTENZA! Per la riparazione dell'apparecchio, usare esclusivamente parti di ricambio identiche. L'uso di altri ricambi comporta situazioni pericolose o il rischio di danni all'apparecchio. Per garantire sicurezza e affidabilità, tutte le operazioni di riparazione e sostituzione devono essere effettuate da un tecnico qualificato.

PULIZIA DELL'UNITÀ DI ALIMENTAZIONE

- Pulire l'unità di alimentazione usando un panno inumidito con del detergente neutro. Evitare l'infiltrazione di liquidi all'interno dell'unità di alimentazione. Non immergere alcuna parte dell'unità di alimentazione in un liquido.
- Non usare detersivi aggressivi sulle superfici esterne in plastica perché possono essere danneggiate da alcuni oli aromatici, come pino e limone, e da solventi come il cherosene. L'umidità comporta il rischio di scossa elettrica. Rimuovere eventuali tracce di umidità con un panno morbido e asciutto.

PULIZIA DEL FILTRO DELL'ARIA

Rimozione

RISOLUZIONE DEI PROBLEMI

PROBLEMA	CAUSA	SOLUZIONE
L'unità di alimentazione non si accende.	<ul style="list-style-type: none"> ■ PU2710/PU2710RC: l'interruttore di alimentazione non è in posizione "START". ■ PU2710E: l'interruttore collegato è stato attivato prima di portare la chiave in posizione "ON". ■ Il gruppo batteria non è installato correttamente nel vano batteria. ■ Altre cause non identificate. 	<ul style="list-style-type: none"> ■ Portare la chiave in posizione "START". ■ Portare la chiave in posizione "ON" prima di attivare l'interruttore collegato. ■ Inserire il gruppo batteria nel vano batteria fino a udire un "clic". ■ Contattare un tecnico qualificato per la riparazione.
L'unità di alimentazione si spegne improvvisamente.	<ul style="list-style-type: none"> ■ Il gruppo batteria è scarico. ■ L'unità di alimentazione è sovraccarica. ■ Il gruppo batteria è troppo caldo. ■ L'unità di alimentazione è troppo calda. ■ Altre cause non identificate. 	<ul style="list-style-type: none"> ■ Ricaricare il gruppo batteria. ■ Ridurre il carico. ■ Ridurre il carico o sostituire il gruppo batteria con uno di capacità superiore. ■ Evitare di usare il gruppo batteria in ambienti molto caldi. ■ Controllare e pulire il filtro dell'aria. ■ Ridurre il carico ed evitare di usare l'unità di alimentazione in ambienti molto caldi. ■ Contattare un tecnico qualificato per la riparazione.
La velocità non cambia dopo aver ruotato la leva di velocità variabile.	<ul style="list-style-type: none"> ■ Se l'ambiente di lavoro è particolarmente rumoroso, il cambiamento di velocità potrebbe essere difficile da notare. ■ Guasti non identificati. 	<ul style="list-style-type: none"> ■ Arrestare l'unità di alimentazione e regolare nuovamente la velocità. Controllare la differenza di velocità. ■ Contattare il centro di assistenza EGO per la riparazione.
La velocità si riduce automaticamente se l'unità di alimentazione è sottoposta a un carico elevato.	<ul style="list-style-type: none"> ■ L'unità di alimentazione è dotata di una funzione automatica di protezione contro il sovraccarico. 	<ul style="list-style-type: none"> ■ Ridurre il carico in base al lavoro, e l'unità di alimentazione tornerà alla velocità impostata.

GARANZIA

CONDIZIONI DELLA GARANZIA EGO

Visitare il sito web poweredbyego.com per consultare le condizioni complete della garanzia EGO.

VEILIGHEIDSINSTRUCTIES

⚠ WAARSCHUWING: Lees alle veiligheidswaarschuwingen, instructies, illustraties en specificaties die met dit elektrisch gereedschap worden geleverd. Het niet opvolgen van alle onderstaande instructies kan leiden tot elektrische schokken en/of ernstig letsel.

BEWAAR ALLE WAARSCHUWINGEN EN INSTRUCTIES VOOR TOEKOMSTIG GEBRUIK.

- **Houd uw werkplaats schoon en goed verlicht.** Rommelige of donkere ruimten kunnen ongevallen veroorzaken.
- **Gebruik de motor niet in ruimten waar een explosieve atmosfeer is, bijvoorbeeld in de aanwezigheid van ontvlambare vloeistoffen, gassen of stof.**
- Afleiding kan tot controleverlies leiden.
- **Zorg voor de juiste stekker van het stopcontact (indien noodzakelijk). Pas de stekker of het stopcontact op geen enkele manier aan.** Niet aangepaste stekkers en overeenkomstige stopcontacten beperken het risico op een elektrische schok.
- **Wees waakzaam, let op wat u doet en gebruik uw gezond verstand wanneer u de motor gebruikt. Gebruik de motor niet als u moe bent of onder invloed staat van drugs, alcohol of medicijnen.** Een moment van onoplettendheid tijdens het gebruik van de motor kan leiden tot ernstig persoonlijk letsel.
- **Gebruik persoonlijke beschermingsmiddelen.** Beschermingsmiddelen zoals een stofmasker, slipvast veiligheidsschoenen, veiligheidshelm of gehoorbescherming afhankelijk van de aard en het gebruik verkleint het risico op persoonlijk letsel.
- **Draag passende kleding. Draag geen los hangende kleding of sieraden. Houd uw haar en kleding uit de buurt van bewegende onderdelen.** Los hangende kleding, sieraden en lang haar kunnen in bewegende onderdelen verstrikt raken.



Lees & begrijp de gebruiksaanwijzing

IPX5 Beschermingsgraad bij binnendringen

V Spanning

- **Word niet zelfingenomen door de ervaring die u heeft opgedaan door frequent gebruik, waardoor u dan de veiligheidswaarschuwingen negeert.** Een achteloze actie kan binnen een fractie van een seconde ernstig letsel veroorzaken.
- **Laat de motor repareren door een gekwalificeerde reparateur en alleen met identieke reserveonderdelen.** Dit waarborgt de veiligheid van de motor.
- **Wees altijd voorzichtig als u de motor start zonder het compleet op het gereedschap aan te sluiten.**
- **Gebruik geen accupack of gereedschap dat is beschadigd of aangepast.** Beschadigde of aangepaste accu's kunnen resulteren in onvoorzien gedrag zoals brand, explosie of het risico op letsel.
- **Stel een accupack of gereedschap niet bloot aan vuur of excessieve temperaturen.** Blootstelling aan vuur of temperaturen boven 130°C kunnen leiden tot een explosie.
- **Neem alle laad instructies in acht en laad het accupack of het gereedschap niet buiten het gespecificeerde temperatuurbereik in de handleiding op.** Het onjuist laden of bij een temperatuur buiten het temperatuurbereik kan de accu beschadigen en er bestaat een gevaar op brand.
- **Repareer beschadigde accupacks nooit.** Onderhoud van accupacks mag alleen worden uitgevoerd door de fabrikant of een geautoriseerde dienstverlener.
- Zie de gebruiksaanwijzing van het accupack voor voorzorgsmaatregelen rondom de accupacks.

NL

VEILIGHEIDSSYMBOLEN

⚠ WAARSCHUWING: Het gebruik van elektrische gereedschappen kan leiden tot het rondslingeren van (vreemde) objecten die in uw ogen kunnen terechtkomen. Dit kan leiden tot ernstig oogletsel. Wanneer u elektrische apparaten gebruikt, zorg er dan voor dat u altijd een veiligheidsbril (met zijschermen) of een gelaatsscherm draagt. We bevelen aan om een gelaatsscherm over uw bril of een standaard veiligheidsbril met zijschermen te gebruiken.



Gooi elektrisch afval niet via het huishoudelijk afval weg. Breng het naar een geautoriseerd recyclingbedrijf.



Gelijkstroom

SPECIFICATIE

Spanning	56V ---
Lengte x breedte x hoogte	PU2710/PU2710E: 342 mm x 306 mm x 344 mm PU2710RC: 342 mm x 290 mm x 344 mm
Gewicht (zonder accupack)	PU2710/PU2710E: 11.4 kg PU2710RC: 11.5 kg
IP	IPX5
Accuport	Twee poorten
Snelheidsinstelling	Eco-/Turbomodus (Continu variabel 1200-3600 TPM)
Led-indicator voor storingen	Ja
Koelingsysteem	Luchtgekoeld
Luchtreiniger	Eenvoudig te vervangen sponsgaas
Netto uitgangsvermogen	3,47 kW @ 3450 TPM
Max. netto koppel	9,2 N.m @ 3450 TPM
Elektrische rem	Ja
Cardanas	Horizontaal
Cardanas-rotatie (vanaf de cardanaszijde)	Tegen de klok in
Afmetingen cardanas	Zie Afb. A2
Aanbevolen bedrijfstemperatuur	-15°C – 40°C
Aanbevolen opslagtemperatuur	0°C – 50°C

BESCHRIJVING

KEN UW MOTOR (Afb. A1)

1. Accuvak afdekking
2. Uitwerpmechanisme
3. Accuvergrendeling
4. Accuvrijgavesleuf
5. Vergrendelingsknop
6. Luchtreiniger

7. Aan/uit-schakelaar*
8. LED-scherm*
 - 8-a. Totaal aantal bedrijfsuren (U)
 - 8-b. Bluetooth-teken
 - 8-c. Draaisnelheid-teken
 - 8-d. Accuniveau-teken
 - 8-e. Storing-teken
 - 8-f. Blokkering-teken
 - 8-g. Te hoge temperatuur-teken
9. Traploze hendel*
10. Bedradingsgat/-blok
11. Voetstuk
12. Cardanas
13. Draadgat voor de sleutel
14. Accuvrijgave
15. Sleutel (x2)

***OPMERKING:** De bedieningspaneel-box van de aan/uit-schakelaar, het led-scherm en de traploos instelbare hendel zijn geïntegreerd in de eenheid PU2710/PU2710E, maar gescheiden van de eenheid PU2710RC.

INHOUD VAN DE VERPAKKING (AFB. A1)

MONTAGE

■ PU2710

Geen montage vereist.

■ PU2710RC

Sluit de bedieningspaneel-box aan op de motor (Afb. B1 en B2)

B1-1	Kabelaansluiting	B1-2	Kabelstekker
B2-1	Eindkap	B2-2	Schroef (x4)

■ PU2710E

Verbind de motor met een schakelaar of een ander equivalent (niet inbegrepen).

1. Verwijder de zes schroeven van het voorpaneel en verwijder het voorpaneel (Afb. C1).
2. Er zijn twee externe poorten voorbehouden binnenin de motorkop, draai de moeren los (Afb. C2).
3. Verwijder het blok, gebruik gepaste draden om de motor te verbinden met een startschakelaar of een ander equivalent. Het verbindingssuiteinde moet een kabelschoen zijn en kan worden aangesloten met behulp van de moeren (Afb. G3).
4. Het is niet nodig om het blok te vervangen en breng ten slotte het voorpaneel opnieuw aan (Afb. C4).

C1-1	Schroef (x6)	C2-1	Moer en sluitring (x2)
C3-1	Blok		

GEbruik

CONTROLE VOOR GEbruik

■ Luchtreiniger (Afb. D)

Controleer de elementen van de luchtreiniger om er zeker van te zijn dat ze schoon en in goede staat zijn.

Reinig of vervang de elementen indien nodig in overeenstemming met de instructies vermeld in de sectie "ONDERHOUD VAN DE LUCHTREINIGER".

⚠ OPGELET: Gebruik de motor nooit zonder de luchtreiniger. Het resultaat is een snelle slijtage.

ACCUPACK PLAATSEN/VERWIJDEREN

Gebruik alleen met de aanbevolen accupacks en laders van EGO (Afb. A3). Voor de beste prestaties wordt het aanbevolen om het volgende te bevestigen: 2 x 12Ah, 2 x 10Ah of minimaal 2 x 7,5Ah accu's.

Voor de eerste ingebruikname volledig opladen

1. **Om het accupack te bevestigen**, moet u de ribbels van de accu in één lijn brengen met de sleuven van de motor en het accupack omlaag drukken totdat u een "klik" hoort (Afb. E1).
2. **Om het accupack los te maken**, steekt de accuvrijgave in de sleuf en duw deze naar rechts, de accu wordt uit het accuvak verwijderd (Afb. E2).

E2-1	Accuvrijgavesleuf
------	-------------------

OPGELET: de accu kan alleen worden verwijderd via de accuvrijgave.

OPMERKING: Laat de accuvrijgave niet in de sleuf zitten voor het geval de accu er onverwacht wordt uitgehaald.

DE MOTOR STARTEN (AFB. F)

■ PU2710/PU2710RC

1. Steek de sleutel in de aan/uit-schakelaar en draai die 45° met de klok mee naar de positie "ON" (AAN). De motor is klaar voor gebruik zodra het LED-scherm en het groene lampje van de accu ingeschakeld zijn.
2. Draai de sleutel weer 45° met de klok mee naar de positie "START" en de motor draait.

■ PU2710E

OPMERKING: Volg altijd onderstaande stappen om de motor te starten. De motor start niet wanneer de aangesloten schakelaar werd ingeschakeld voordat de

sleutel naar de positie "ON" (AAN) is gedraaid.

1. Steek de sleutel in de sleuf voor de aan/uit-schakelaar en draai deze naar de positie "ON" (AAN). De motor is klaar voor gebruik wanneer het LED-scherm en het groene lampje van het accupack zijn ingeschakeld.
2. Schakel de aangesloten schakelaar (niet inbegrepen) in en de motor begint te werken.

OPMERKING: De sleutel kan niet uit de schakelaar worden gehaald wanneer de motor klaar voor gebruik of in werking is.

DE MOTOR STOPPEN

■ PU2710/PU2710RC

Om de motor tijdelijk te stoppen, draai de sleutel naar de positie "ON" (AAN).

Om de motor volledig uit te zetten, draai de sleutel naar de positie "OFF" (UIT).

■ PU2710E

Om de motor tijdelijk te stoppen, schakel de aangesloten schakelaar (niet inbegrepen) uit.

Om de motor volledig uit te zetten, draai de sleutel naar de positie "OFF" (UIT).

OPMERKING: Om onverwacht opstarten te voorkomen, draai de sleutel naar de stand "OFF" (UIT) om de motor volledig uit te zetten.

DE SNELHEID REGELEN (AFB. G)

Draai aan de traploze hendel en gebruik de inkeping op de hendel om u te helpen bij het vinden en kiezen van de gewenste snelheid tussen "ECO" en "TURBO".

OPMERKING: De snelheid kan tevens voor het starten ingesteld worden.

G-1	Inkeping
-----	----------

VERLICHTINGSAPPARATUUR VAN STROOM VOORZIEN

Deze motor kan externe verlichtingsapparatuur van stroom voorzien en de spanning stemt overeen met de nominale spanning van de motorkop.

1. Verwijder de zes schroeven van het voorpaneel en verwijder het voorpaneel (Afb. H1).
2. Er zijn twee paar externe poorten gereserveerd binnenin de motor, waarbij één paar aan de linkerkant de uitgangspoort is, en links min en rechts plus is (met een plus- en min-teken op de interface) (Afb. H2).

3. Verwijder het blok en gebruik gepaste draden om de motor op de verlichtingsapparatuur aan te sluiten. Het verbindingssuiteinde moet een kabelschoen zijn en kan worden aangesloten met behulp van M5-schroeven (Afb. H3).
4. Het is niet nodig om het blok te vervangen en breng ten slotte het voorpaneel opnieuw aan (Afb. H4).

OPMERKING: Sluit een zekering van maximaal 12 A aan om de motor te beschermen. Schade aan het product door het niet aansluiten van een zekering wordt niet door de garantie gedekt.

NL





OP EEN EXTERNE VEILIGHEIDSSCHAKELAAR AANSLUITEN

Er kan een externe veiligheidsschakelaar op de motor worden aangesloten, zodat de operator de motor tijdig kan stoppen in geval van nood.

1. Verwijder de zes schroeven van het voorpaneel en verwijder het voorpaneel (Afb. I1).
2. Er zijn twee externe poorten gereserveerd in de motorkop, gebruik het paar aan de rechterkant. Draai de schroeven los en verwijder de draad (Afb. I2).
3. Verwijder het blok en sluit de motor aan met gepaste draden. Het verbindingssuiteinde moet een kabelschoen zijn en kan worden aangesloten met behulp van M5-schroeven (Afb. I3).
4. Het is niet nodig om het blok te vervangen en breng ten slotte het voorpaneel opnieuw aan (Afb. I4).

OPMERKING: Het stoppen van de motor via een externe veiligheidsschakelaar doet alleen de motor stoppen en schakelt het toestel niet volledig uit. Dit betekent dat het toestel nog steeds is ingeschakeld. Om de motor opnieuw te starten, breng de elektrische aansluiting van de externe veiligheidsschakelaar opnieuw tot stand.

WEERGAVE OP HET LED-SCHERM

WEERGAVE	BETEKENIS	ACTIE
	Beveiliging door vergrendeling van rotor	<ul style="list-style-type: none"> ▪ Schakel de stroom uit en controleer op verstoppingen rond de lading. Start de motor na reiniging opnieuw. Als de beveiliging door vergrendeling van rotor nog steeds wordt weergegeven, neem contact op met het servicecentrum van EGO voor reparatie.
	Laagspanning	<ul style="list-style-type: none"> ▪ Laad het accupack/de accupacks op.
	Het accupack heeft een te hoge temperatuur	<ul style="list-style-type: none"> ▪ Controleer en reinig de luchtreiniger. ▪ Laat de accu afkoelen totdat de gele LED stopt met knipperen of gebruik accu('s) met een hogere capaciteit.
	De motor heeft een te hoge temperatuur	<ul style="list-style-type: none"> ▪ Wacht totdat de motor is afgekoeld. ▪ Verlaag de werkbelasting.

05	Over- stroombev- eiliging van moederbord	<ul style="list-style-type: none"> Probeer de werkbelasting te verlagen
06	Communi- catiefout	<ul style="list-style-type: none"> Neem contact op met het servicecentrum van EGO voor reparatie.

J2-1	Afdekking van de luchtreiniger	J2-2	Sponsgaas
------	--------------------------------	------	-----------

Installeren

- Plaats het sponsgaas in de afdekking van de luchtreiniger. Zorg ervoor dat de randen vlak liggen zonder hobbels (Afb. J3).
- Plaats de luchtreiniger correct op de motor.
- Druk en draai de vergrendelingsknop met de klok mee om de luchtreiniger op zijn plek te vergrendelen (Afb. J4).

NL

TRANSPOR/OPSLAG

DE MOTOR TRANSPORTEREN

⚠ OPGELET: Om de motor niet te beschadigen, stoot de cardanas nergens tegen of oefen geen druk op de cardanas uit (Afb. K).

OPBERGEN VAN DE MOTOR

- Verwijder de accupacks van de motor.
- Maak de motor grondig schoon voordat u deze opbergt.
- Berg de motor op in een droge, goed geventileerde omgeving buiten het bereik van kinderen. Berg de motor niet op in de buurt van meststoffen, benzine of andere chemicaliën.

HET MILIEU BESCHERMEN



Gooi geen elektrische apparatuur, gebruikte accu's en laders weg via het huishoudelijk afval! Geef dit product af bij een geautoriseerd recyclingbedrijf en zorg dat het apart kan worden ingezameld. Elektrisch gereedschap moet worden afgegeven voor een milieuvriendelijke recycling.

ONDERHOUD

⚠ WAARSCHUWING: Om persoonlijk letsel te voorkomen, moet u de accupacks verwijderen alvorens onderhoud of reiniging uit te voeren.

⚠ WAARSCHUWING: Gebruik tijdens reparaties uitsluitend identieke reserve-onderdelen. Het gebruik van andere onderdelen kan gevaar opleveren of schade aan het product veroorzaken. Laat alle reparaties uitvoeren door een vakbekwame reparateur om een continue veiligheid en betrouwbaarheid te waarborgen.

REINIGEN VAN DE MOTOR

- Reinig de motor met een vochtige doek en mild schoonmaakmiddel. Zorg dat er geen vloeistof terecht komt in de motor; dompel nooit een deel van de motor in een vloeistof.
- Gebruik geen agressieve schoonmaakmiddelen voor de kunststof behuizing. Deze kunnen door bepaalde aromatische oliën, zoals pijnboom en citroen, en oplosmiddelen, zoals kerosine, worden beschadigd. Vocht kan risico op elektrische schokken met zich meebrengen. Veeg eventueel vocht weg met een zachte, droge doek.

ONDERHOUD VAN DE LUCHTREINIGER

Verwijderen

- Draai de vergrendelingsknop tegen de klok in richting het afgebeelde pictogram en verwijder de luchtreiniger direct (Afb. J1).

J1-1	Vergrendelingsknop
------	--------------------

- Wij raden aan een luchtdrukpistool te gebruiken om de sponsgaas filter te reinigen indien noodzakelijk of vervang deze door een nieuwe (Afb. J2).

PROBLEEMOPLOSSING

NL

PROBLEEM	OORZAAK	OPLOSSING
De motor wil niet starten.	<ul style="list-style-type: none"> For PU2710/PU2710RC, de aan/uit-schakelaar staat niet in de positie "START". Voor PU2710E, de aangesloten schakelaar werd ingeschakeld voordat de sleutel naar de positie "ON" (AAN) is gedraaid. Het accupack/de accupacks is/zijn niet op zijn plek in het accuvak. Andere niet geïdentificeerde oorzaken. 	<ul style="list-style-type: none"> Zet de schakelaar in de positie "START". Draai de sleutel altijd eerst naar de positie "ON" (AAN) en schakel vervolgens de aangesloten schakelaar in. Bevestig het accupack/de accupacks in het accuvak en druk totdat u een 'klik' hoort. Neem contact op met een gekwalificeerde servicemonteur voor reparatie.
De motor stopt met werken.	<ul style="list-style-type: none"> Het accupack/de accupacks is/zijn leeg. De motor is overbelast. Het accupack/de accupacks heeft/hebben een te hoge temperatuur. De motor heeft een te hoge temperatuur. Andere niet geïdentificeerde oorzaken. 	<ul style="list-style-type: none"> Laad het accupack/de accupacks op. Verminder de werkbelasting. Verminder de werkbelasting of vervang door een accupack/accupacks met grotere capaciteit. Vermijd het gebruik van het accupack/de accupacks in omgevingen met een hoge temperatuur. Controleer en reinig de luchtreiniger. Verminder de belasting en vermijd het de motor in een omgeving met hoge temperatuur te gebruiken. Neem contact op met een gekwalificeerde servicemonteur voor reparatie.
De snelheid verandert niet wanneer u aan de traploze hendel draait.	<ul style="list-style-type: none"> Als de omgeving te luid is, is het lastig veranderingen te herkennen. Niet geïdentificeerde storingen. 	<ul style="list-style-type: none"> Stop de motor en regel de snelheid opnieuw. Meet het verschil in snelheid voor verdere controle mocht dit nodig zijn. Neem contact op met de klantenservice van EGO in geval van reparaties.
De snelheid neemt automatisch af in geval van voortdurende zware belasting en blijft op een laag snelheidsniveau, wat geïdentificeerd kan worden door het motorgeluid.	<ul style="list-style-type: none"> De motor heeft een automatische aanpassingsfunctie als overbelastingsbescherming. 	<ul style="list-style-type: none"> Reduceer de belasting overeenkomstig de daadwerkelijke situatie, waarna de motor weer naar de volledige snelheid wisselt.

GARANTIE

EGO-GARANTIEBELEID

Bezoek alstublieft de website poweredbyego.com voor de volledige voorwaarden van het EGO-garantiebeleid.

SIKKERHEDSANVISNINGER

⚠ ADVARSEL: Læs alle sikkerhedsadvarsler, instruktioner, billeder og specifikationer, der følger med dette værktøj. Hvis anvisningerne nedenfor ikke følges, kan det føre til elektrisk stød, brand og/eller alvorlig personskade.

GEM ALLE ADVARSLER OG INSTRUKTIONER TIL FREMTIDIG REFERENCE.

- **Sørg for, at arbejdsområdet er rent og godt belyst.** Et rodet eller mørkt område kan føre til ulykker.
- **Brug ikke el-apparatet i eksplosive atmosfærer, såsom ved tilstedeværelse af brændbare væsker, gasser eller støv.**
- Distractioner kan medføre, at du mister kontrollen.
- **Sørg for, at stikket (hvis gældende) passer med et rigtigt stik.** Stikkene må på ingen måde ændres. Uændrede stik, der passer til stikkontakterne, nedsætter risikoen for elektrisk stød.
- **Vær forsigtig, hold øje med hvad du laver, og brug din sunde fornuft, når du bruger et el-apparat.** Brug ikke et el-apparat, hvis du er træt eller under indflydelse af narkotika, alkohol eller medicin. Et øjeblikvis uopmærksomhed ved brug af el-apparatet kan medføre alvorlig personskade.
- **Brug personligt beskyttelsesudstyr.** Værnemidler såsom støvmaske, skridsikre sikkerhedssko, hjelm eller høreværn, der anvendes til passende betingelser nedsætter risikoen for personskader.
- **Brug passende tøj.** Undgå, at bære løstsiddende tøj eller smykker. Hold hår og tøj fra bevægelige dele. Løse tøj, smykker eller langt hår kan blive fanget i bevægelige dele.
- **Selvom du ofte bruger og har et godt kendskab til værktøjer, må du ikke være overmodig eller glemme sikkerhedsprincipperne.** En uagtsom

handling kan forårsage alvorlig skade i en brøkdæl af et sekund.

- **Dit el-apparat skal repareres af en kvalificeret person, og der må kun bruges identiske reservedele.** På denne måde sikrer man, at el-apparatet forbliver sikkert at bruge.
- **Vær altid ekstra forsigtig, hvis el-apparatet startes uden, at det er blevet samlet helt.**
- **Anvend ikke et batteri eller et værktøj, der er beskadiget eller modificeret.** Beskadigede eller modificerede batterier kan opføre sig uforudsigeligt og forårsage brand, eksplosion eller risiko for personskade.
- **Udsæt ikke et batteri eller et værktøj for ild eller for høj temperatur.** Udsættelse for ild eller temperaturer over 130°C kan forårsage eksplosion.
- **Følg alle anvisninger vedrørende opladning, og oplad ikke batteriet eller værktøjet uden for temperaturområdet, der står i anvisningerne.** Forkert opladning eller temperaturer uden for det angivne område kan beskadige batteriet og øge risikoen for brand.
- **Udfør aldrig selv service på beskadigede batterier.** Service på batterier må kun udføres af producenten eller godkendte servicecentre.
- Forholdsreglerne vedrørende batteripakker kan findes i brugsvejledningen til batteripakken.

DK

SIKKERHEDSSYMBOLER

⚠ ADVARSEL: Når elværktøjer bruges, er der altid en risiko for at genstande slynges ind i øjnene, som kan føre til alvorlige øjenskader. Inden du begynder elværktøj drift, altid bære beskyttelsesbriller eller sikkerhedsbriller med side skjolde og en fuld ansigtsmaske når det er nødvendigt. Vi anbefaler en Wide Vision Safety Maske til brug over briller eller standard sikkerhedsbriller med sideskærme.



Elektriske affaldsprodukter må ikke bortskaffes sammen med husholdningsaffald. Tag det til en godkendt genbrugsplads.



Jævnstrøm (DC)



Læs og forstå brugsanvisningen

IPX5 Grad af beskyttelse mod indtrængning

V Spænding

SPECIFIKATION

Spænding	56 V $\overline{\text{---}}$
Længde x Bredde x Højde	PU2710/PU2710E: 342 mm x 306 mm x 344 mm PU2710RC: 342 mm x 290 mm x 344 mm
Vægt (uden batteri)	PU2710/PU2710E: 11.4 kg PU2710RC: 11.5 kg
IP	IPX5
Batteristik	To porte
Hastighedsknap	Eco/Turbo-funktioner (trinløs justering 1200-3600 o/min)
Fejl-lysidikator	Ja
Kølesystem	Luftkølet
Luftrenser	Let udskifteligt svampenet
Nettoeffekt	3,47 kW på 3450 o/min
Maks. nettodrejningsmoment	9,2 N.m på 3450 o/min
Elektronisk bremse	Ja
Kraftoverføringsaksel (PTO)	Vandret
Kraftoverføringsakseldrejning (fra kraftoverføringsakselsiden)	Mod uret
Mål på kraftoverføringsaksel (PTO)	Se fig. A2
Anbefalet driftstemperatur	-15°C – 40°C
Anbefalet opbevaringstemperatur	0°C – 50°C

BESKRIVELSE

KEND DIT EL-APPARAT (fig. A1)

1. Dæksel til batterirummet
2. Udløsermekanisme
3. Batterirum
4. Åbning til batteriudløsning
5. Låseknop

6. Luftrenser
7. Tænd/sluk-kontakt*
8. LED-skærm*
 - 8-a. Antal driftstimer i alt (H)
 - 8-b. Bluetooth-ikon
 - 8-c. Drejehastighed-ikon
 - 8-d. Batteristrøm-ikon
 - 8-e. Fejl-ikon
 - 8-f. Blokering-ikon
 - 8-g. Overophedning-ikon
9. Trinløs justeringshåndtag*
10. Ledningshul/klods
11. Nedre del
12. Kraftoverføringsaksel (PTO)
13. Gevindhul til nøglen
14. Batteriudløsning
15. Nøgle (x2)

***BEMÆRK:** Betjeningsboksen til tænd/sluk-kontakten, LED-skærmen og det trinløse håndtag er indbygget i enheden på PU2710/PU2710E, men den er adskilt fra enheden på PU2710RC.

LISTE OVER DELE (FIG. A1)

SAMLING

■ PU2710

Produktet skal ikke samles.

■ PU2710RC

Forbind betjeningspanelboksen til strømenheden (fig. B1 & B2)

B1-1	Kabelstikprop	B1-2	Kabelstik
B2-1	Endedæksel	B2-2	Skrue (x4)

■ PU2710E

Forbind enheden med en tænd/sluk-kontakt eller en tilsvarende enhed (medfølger ikke)

1. Fjern de seks skruer på frontdækslet, og tag frontdækslet af (fig. C1).
2. Der er to eksterne porte i strømhovedet. Løsn møtrikkerne (fig. C2).
3. Fjern klodsen, og brug passende ledninger til at forbinde strømforsyningen og en tænd/sluk-kontakt eller en tilsvarende enhed. Tilslutningsenden skal være en klemme og den kan forbindes vis møtrikkerne (fig. G3).
4. Klodsen skal ikke sættes på igen, sæt til sidst frontdækslet på igen (fig. C4).

C1-1	skruer (x6)	C1-2	Møtrik og spændeskive (x2)
C2-1	Klods		

BETJENING

KONTROL FØR BRUG

Luftrensere (fig. D)

Kontroller luftfilterdelene så du sikrer, at de er rene og i god stand.

Rengør eller skift delene, hvis nødvendigt, ved at følge vejledningerne i afsnittet "SERVICERING AF LUFTRENSEREN".

⚠ FORSIGTIG: El-apparatet må aldrig bruges uden luftrenseren. Dette fører til hurtig slidtage.

MONTERING/FJERNELSE AF BATTERIET

Brug kun produktet med anbefalede batteripakker og opladere fra EGO (fig. A3). For optimal ydelse, anbefales det at bruge: 2 x 12Ah, 2 x 10Ah batterier eller mindst 2 x 7,5Ah batterier i.

Fuld opladning før første brug

1. **For at sætte batteripakken i**, skal du sørge for at dens ribber fugter med styrerillerne på el-apparatet. Tryk derefter batteripakken ned, indtil du hører et "klik" (fig. E1).
2. **For at tage batteripakken ud**, skal du sætte batteriudløseren i åbningen og trykke den mod højre side, hvorefter pumpes batteri kan tages ud af batterirummet (fig. E2).

E2-1	Åbning til batteriudløsning
------	-----------------------------

BEMÆRK: Batteriet kan kun tages ud via batteriudløseren.

BEMÆRK: Batteriudløseren må ikke efterlades i åbningen, da batteriet kan falde ud.

SÅDAN STARTES EL-APPARATET (FIG. F)

■ PU2710/PU2710RC

1. Sæt nøglen i Tænd/sluk-kontakt, og drej den 45° med uret til "Tænd". El-apparatet er klar til brug når LED-skærmen og det grønne lys på batteripakken lyser.
2. Drej nøglen 45° med uret igen og sæt den på "Start", hvorefter el-apparatet starter.

■ PU2710E

BEMÆRK: Følg altid nedenstående trin når strømenheden startes. Strømenheden kan ikke starte, hvis den tilsluttede tænd/sluk-knap tændes før nøglen drejes til "Tænd".

1. Sæt nøglen i tænd/sluk-kontakten, og drej den til "Tænd". Strømenheden er klar til brug når LED-skærmen og det grønne lys på batteripakken lyser.
2. Tænd den tilsluttede tænd/sluk-kontakt (medfølger ikke), hvorefter strømenheden starter.

BEMÆRK: Nøglen kan ikke tages ud af kontakten, når el-apparatet er klar til brug eller er i drift.

SÅDAN STOPPES EL-APPARATET

■ PU2710/PU2710RC

For at stoppe strømenheden midlertidigt, skal du blot sættes nøglen på "Tænd".

For at stoppe el-apparatet helt, skal du sætte nøglen på "Sluk".

■ PU2710E

For at stoppe strømenheden midlertidigt, skal du blot slukke den tilsluttede tænd/sluk-kontakt (medfølger ikke).

For at stoppe strømenheden helt, skal du sætte nøglen på »SLUK«.

BEMÆRK: For at undgå uventet opstart, skal du sætte nøglen på "Sluk" for at slukke helt for el-apparatet.

JUSTERING AF HASTIGHEDEN (FIG. G)

Drej det trinløse håndtag, og brug indikationssporet på håndtaget til at vælge mellem hastighederne "ECO" og "TURBO".

BEMÆRK: Hastigheden kan også forudindstilles før start.

G-1	Indikeringsåbning
-----	-------------------

SÅDAN STRØMFORSYNES BELYSNINGSUDSTYR

Dette el-apparat kan strømforsyne eksternt belysningsudstyr, og spændingen er i overensstemmelse med strømhedets nominelle spænding.

1. Fjern de seks skruer på frontdækslet, og tag frontdækslet af (fig. H1).
2. Der er to par eksterne porte reserveret i el-apparatet, hvor det ene par til venstre er udgangsporten. Den venstre er negativ og den højre er positiv (med et positivt og negativt tegn på grænsefladen) (fig. H2).
3. Fjern klodsen, og brug passende ledninger til at forbinde strømforsyningen og belysningsudstyret. Tilslutningsenden skal være en klemme og den kan fastgøres med M5-skruer (fig. H3).
4. Klodsen skal ikke sættes på igen, sæt til sidst frontdækslet på igen (fig. H4).

DK

BEMÆRK: Der skal tilsluttes en sikring på højst 12 A for at beskytte el-apparatet. Eventuelle produktskader, som følge af manglende tilslutning af en sikring, dækkes ikke af garantien.


TILSLUTNING TIL EKSTERN SIKKERHEDSAFBRYDER






Det er muligt at slutte en ekstern sikkerhedsafbryder til strømheden, så brugeren kan stoppe strømheden i tide i tilfælde af en nødsituation.

1. Fjern de seks skruer på frontdækslet, og tag frontdækslet af (fig. I1).
2. Der er to eksterne porte i strømhovedet, brug parret til højre. Løsn skruerne, og fjern ledningen (fig. I2).
3. Fjern klodsen, og tilslut strømforsyningen med passende ledninger. Tilslutningsenden skal være en klemme og den kan fastgøres med M5-skruer (fig. I3).
4. Klodsen skal ikke sættes på igen, og sæt til sidst frontdækslet på igen (fig. I4).

BEMÆRK: Hvis strømforsyningen stoppes via en ekstern sikkerhedsafbryder, er det kun muligt at stoppe motoren i strømforsyningen. Det er ikke muligt at slukke helt for enheden, hvilket betyder at hele enheden stadig er tændt. For at genstarte strømforsyningen, skal den forbindes til den eksterne sikkerhedsafbryder igen.

LED-SKÆRM

SKÆRM	BETYDNING	HANDLING
	Lås drejesikringen	<ul style="list-style-type: none"> ▪ Afbryd strømmen, og se om der er blokeringer omkring belastningen. Start el-apparatet igen efter rengøringen. Hvis drejesikringen stadig vises, skal du kontakte EGO's servicecenter for reparation.

	<p>02</p> <p>Lav spænding</p>	<ul style="list-style-type: none"> ▪ Oplad batteripakkerne.
	<p>03</p> <p>Batteripakkerne er overophedet.</p>	<ul style="list-style-type: none"> ▪ Kontroller luftrenseren og rengør den. ▪ Lad batteriet køle ned, indtil den gule lysindikator holder op med at blinke, eller prøv en batteripakke med en højere kapacitet.
	<p>04</p> <p>El-apparatet overopheder</p>	<ul style="list-style-type: none"> ▪ Vent, indtil el-apparatet er kølet ned. ▪ Reducer belastningen.
	<p>05</p> <p>Beskyttelse mod overstrøm på hovedkredsløbet</p>	<ul style="list-style-type: none"> ▪ Prøv at reducere arbejdsbyrden
	<p>06</p> <p>Kommunikationsfejl</p>	<ul style="list-style-type: none"> ▪ Kontakt EGO's servicecenter for reparation

VEDLIGEHOLDELSE

⚠ ADVARSEL: For at undgå personskader, skal batteripakken tages ud inden servicering og rengøring af apparatet.

⚠ ADVARSEL: Ved service må der kun bruges originale reservedele. Brug af andre reservedele kan medføre fare eller forårsage skader på produktet. For at sikre sikkerhed og pålidelighed, bør alle reparationer udføres af en kvalificeret servicetekniker.

RENGØRING AF EL-APPARATET

- Rengør el-apparatet med en fugtig klud med et mildt rengøringsmiddel. Lad aldrig væsker komme ind i el-værktøjet, nedsenk det aldrig i nogen form for væske.
- Brug ikke stærke rengøringsmidler på plastkabinettet. De kan tage skade af visse aromatiske olier, såsom fyr og citron, og opløsningsmidler såsom petroleum. Fugt kan også give elektrisk stød. Tør al fugt af med en blød tør klud.

SERVICERING AF LUFTRENSEREN

Afmontering

1. Drej låseknappen mod uret i henhold til ikonet på den, og tag luftrenseren ud (fig. J1).

J1-1	Låseknop
------	----------

2. Det anbefales at bruge en luftpistol til at blæse svampenettet rent efter behov, eller skift det med et nyt, hvis nødvendigt (fig. J2).

J2-1	Dæksel til luftrenser	J2-2	Svampenet
------	-----------------------	------	-----------

Montering

1. Sæt svampenettet i dækslet til luftfiltret. Sørg for, at alle siderne er flade uden pukler (fig. J3).
2. Sæt luftfilteret rigtigt i el-apparatet.
3. Tryk på låseknappen og drej den med uret for, at låse luftfilteret på plads (fig. J4).

TRANSPOR/OPBEVARING

TRANSPORTERING AF EL-APPARATET

⚠ FORSIGTIG: Hvis el-apparatet beskadiges, må kraftoverføringsakslen (PTO) ikke påvirkes eller udsættes for stød eller tryk (fig. K).

OPBEVARING AF EL-APPARATET

- Tag batteripakken ud af el-apparatet.

- Rengør el-apparatet grundigt før opbevaring.
- El-apparatet skal opbevares på et tørt sted og godt ventileret sted, uden for børns rækkevidde. Opbevar ikke el-apparatet på eller ved siden af kunstgødning, benzin eller andre kemikalier.

BESKYTTELSE AF MILJØET



Elektrisk udstyr, batteriplader og batterier må ikke smides ud sammen med almindelig husholdningsaffald! Tag dette produkt til en autoriseret genbrugsplads, og sørg for at det sendes til genbrug. Elektriske værktøjer skal returneres til et miljøkompatibelt genvindingsanlæg.

DK

FEJLFINDING

PROBLEM	ÅRSAG	LØSNING
El-apparatet starter ikke.	<ul style="list-style-type: none"> Tænd/sluk-kontakten er ikke sat på "START" på PU2710/PU2710RC. Den tilsluttede tænd/sluk-kontakt tændes, før nøglen drejes til "Tænd" på PU2710/PU2710RC. Batteripakkerne sidder ikke ordentligt i batterirummet. Andre ikke-fundne årsager. 	<ul style="list-style-type: none"> Sæt kontakten på "Start". Drej altid nøglen til "Tænd" først, og tænd derefter for den tilsluttede tænd/sluk-kontakt. Sæt batterierne i batterirummet, og tryk på dem, indtil du hører en kliklyd. Kontakt en kvalificeret servicetekniker for reparation.
El-apparatet holder op med at virke.	<ul style="list-style-type: none"> Batteripakkerne er afladet. El-apparatet er overbelastet. Batteripakkerne er overophedet. El-apparatet er overophedet. Andre ikke-fundne årsager. 	<ul style="list-style-type: none"> Oplad batteripakkerne. Reducer arbejdsbelastningen. Reducer arbejdsbelastningen, eller skift batterierne med batterier med en større kapacitet. Undgå at bruge batterierne i et meget varmt miljø. Kontroller luftrenseren og rengør den. Reducer belastningen, og brug ikke el-apparatet på steder med høje temperaturer. Kontakt en kvalificeret servicetekniker for reparation.
Hastigheden ændres ikke, når det trinløse håndtag drejes.	<ul style="list-style-type: none"> Hvis omgivelserne er for støjende, er det svært at genkende ændringerne. Andre ikke-fundne årsager. 	<ul style="list-style-type: none"> Stop el-apparatet, og juster hastigheden igen. Mål hastighedsforskellen for, at se om yderligere eftersyn er nødvendig. Kontakt EGO's kundeservice for reparation.
Hastigheden falder automatisk, hvis el-apparatet udsættes for uafbrudt tung belastning. Den lave hastighed opretholdes, hvilket kan høres på kørelyden.	<ul style="list-style-type: none"> Strømforsyningen har en automatisk justeringsfunktion, der beskytter mod overbelastning. 	<ul style="list-style-type: none"> Reducer belastningen i henhold til situationen, hvorefter el-apparatet går tilbage til fuld hastighed.

DK

GARANTI

EGO GARANTI POLITIK

Besøg venligst hjemmesiden poweredbyego.com for fuldstændige vilkår og betingelser for EGO's garantipolitik.

SÄKERHETSINSTRUKTIONER

⚠ VARNING: Läs igenom alla säkerhetsvarningar, instruktioner, illustrationer och specifikationer som medföljer detta verktyg. Underlåtenhet att följa alla instruktioner som listas nedan kan resultera i elektriska stötar, brand och/eller allvarliga personskador.

SPARA ALLA VARNINGAR OCH INSTRUKTIONER FÖR FRAMTIDA REFERENS.

- **Håll arbetsområdet rent och ordentligt upplyst.** Belamrade eller mörka områden inbjuder till olyckor.
- **Använd inte elverktyg i explosiva miljöer som t.ex. i närvaron av brandfarliga vätskor, gaser eller damm.**
- Störningarna kan göra att du tappar kontrollen.
- **Matcha uttaget (om tillämpligt) med korrekt kontakt. Modifiera aldrig uttaget eller kontakten på något sätt.** Stickkontakter som inte modifierats och passar i eluttaget minskar risken för elektriska stötar.
- **Var uppmärksam och observant samt använd sunt förnuft när du använder ett elverktyg. Använd inte elverktyget om du är trött eller under påverkan av droger, alkohol eller medicin.** Ett ögonblicks uppmärksamhet vid användning av elverktyget kan leda till allvarliga personskador
- **Använd personlig skyddsutrustning.** Skyddsutrustning såsom andningsmask, halssäkra säkerhetsskor, skyddshjälm eller hörselskydd som används för lämpliga förhållanden minskar personskador.
- **Klä dig på lämpligt sätt. Bär inte löst sittande kläder eller smycken. Håll hår och klädsel på avstånd från de rörliga delarna.** Löst sittande kläder, smycken och långt hår kan fastna i rörliga delar.
- **Var alltid uppmärksam vid användning av verktyget, även efter många användningstillfällen, och ignorera inte verktygets säkerhetsprinciper.** En



Läs och förstå bruksanvisningen

IPX5 Ingång skyddsgrad

V Spänning

vårdslös handling kan orsaka allvarliga personskador inom bråkdelen av en sekund.

- **Lämna ditt elverktyg för service hos en kvalificerad servicetekniker som endast använder identiska utbytesdelar.** Det garanterar att säkerheten hos elverktygets bibehålls.
- **Var alltid extra försiktig när elverktyget startas om inte verktyget är komplett monterat.**
- **Använd inte ett batteripaket eller verktyg som skadats eller modifierats.** Skadade eller modifierade batterier kan leda till oförutsägbart uppträdande som leder till brand, explosion eller risk för personskador.
- **Utsätt inte batteripaketet eller verktyget för eld eller extrema temperaturer.** Exponering av eld eller temperaturer över 130 °C kan orsaka explosion.
- **Följ alla laddningsinstruktioner och ladda inte batteripaketet eller verktyget utanför det temperaturområde som anges i instruktionerna.** Felaktig laddning eller vid temperaturer utanför angivet temperaturområde kan skada batteriet och ökar risken för brand.
- **Utför aldrig service på skadade batteripaket.** Service av batteripaket bör endast utföras av tillverkaren eller auktoriserade serviceverkstäder.
- Se batteripaketets instruktion för försiktighetsåtgärder för batteripaket.

SE

SÄKERHETSSYMBOLER

⚠ VARNING: Användning av något elverktyg kan resultera i att främmande föremål kastas in i dina ögon vilket kan resultera i allvarliga ögonskador. Innan elverktyget börjar användas skall alltid skyddsglasögon eller skyddsglasögon med sidoskydd och full ansiktsskydd användas när så behövs. Vi rekommenderar att en ansiktsmask med brett synfält används ovanpå glasögonen eller standard skyddsglasögon med sidoskydd.



Förbrukade elektriska produkter får inte kastas i hushållssoporna. Lämna in dem till en auktoriserad återvinningsstation.



Likström

SPECIFIKATIONER

Spänning	56 V
Längd x Bredd x Höjd	PU2710/PU2710E: 342 mm x 306 mm x 344 mm PU2710RC: 342 mm x 290 mm x 344 mm
Vikt (utan batteripaket)	PU2710/PU2710E: 11.4 kg PU2710RC: 11.5 kg
IP	IPX5
BATTERI	Dubbla uttag
Hastighetskontroll	Eco/Turbo-lägen (kontinuerligt variabel 1200-3600 varv/min)
LED-indikatorer funktionsfel	Ja
Kylsystem	Luftkyld
Luftrenare	Lätt utbytbar svampnät
Utmatad nettoeffekt	3,47 KW vid 3450 RPM
Max. netto vridmoment	9,2 N.m vid 3450 RPM
Elektronisk broms	Ja
PTO-axel	Horisontellt
PTO-axelrotation (från PTO axelsida)	Moturs
PTO axelmått	Se bild A2
Rekommenderad drifttemperatur	-15°C – 40°C
Rekommenderad förvaringstemperatur	0°C – 50°C

BESKRIVNING

LÄRA KÄNNA DITT ELVERKTYG (bild A1)

1. Lock till batterifack
2. Utmatningsmekanism
3. Batterilås
4. Låsöppning för batteriet
5. Låsraff
6. Luftrenare
7. Strömbrytare*

8. LED-skärm*
 - 8-a. Totalt antal drifttimmar (H)
 - 8-b. Bluetooth-signal
 - 8-c. Skylt för rotationshastighet
 - 8-d. Batterinivåindikator
 - 8-e. Tecken på funktionsfel
 - 8-f. Blockerande tecken
 - 8-g. Tecken för övertemperatur
9. Steglös spak*
10. Ledningshåll/Block
11. Bas
12. PTO-axel
13. Gångat hål för nyckeln
14. Batterifrigöring
15. Nyckel (x2)

***NOTERA:** Kontrollpanelboxen för strömbrytaren, LED-skärmen och kontinuerliga variabelspaken är integrerade med enheten för PU2710/PU2710E, men inte separerad från enheten PU2710RC.

FÖRPACKNINGSLISTA (BILD A1)

MONTERING

■ PU2710

Ingen montering krävs.

■ PU2710RC

Anslut kontrollpanelboxen till strömenheten bild B1 och B2)

B1-1	Kabeluttag	B1-2	Kabelkontakt
B2-1	Ändlock	B2-2	Skruv (x4)

■ PU2710E

Anslut enheten med en strömbrytare eller motsvarande (medföljer ej).

1. Ta bort de sex skruvarna från frontluckan och ta bort frontluckan (bild C1).
2. Det finns två externa portar reserverade inuti aggregatet. Lossa muttrarna (bild C2).
3. Ta bort blocket, använd lämpliga kablar för att ansluta kraftaggregatet och en startbrytare eller motsvarande. Anslutningsänden ska vara en terminalklämma och kan anslutas med muttrarna (bild C3).
4. Du behöver inte byta ut blocket och slutligen byta ut frontluckan (bild C4).

C1-1	Skruv (x6)	C1-2	Mutter och bricka (x2)
C2-1	Block		

HANTERING

Kontroll före drift

Luftrenare (bild D)

Kontrollera luftrenarelementen för att garantera att de är rena och i bra kondition.

Rengör eller byt elementen om så behövs enligt instruktionerna i sektionen "LUFTRENGÖRINGSSERVICE".

⚠ FÖRSIKTIGHET: Kör aldrig strömenheten utan luftrenaren. Det kommer att resultera i snabbt slitage.

FÄSTA/LOSSA BATTERIPAKETET

Använd endast med EGO:S rekommenderade batteripaket och laddare (bild A3). För optimal prestanda rekommenderas att ansluta: 2 x 12 Ah, 2 x 10 Ah eller minst 2 x 7,5 Ah batterier.

Ladda fullt innan första användning

1. **För att sätta fast batteripaketet**, rikta in listerna på batteriet med styrspåren på elverket och tryck sedan ner batteripaketet tills du hör ett "klick" (bild E1).
2. **För att ta bort batteripaketet**, sätt in batterilåset i facket och tryck det mot höger sida; då kommer batteriet att pumpas ut ur batterifacket (bild E2).

E2-1	Låsöppning för batteriet
------	--------------------------

NOTERA: Batteriet kan endast tas bort via batterilåset.

NOTERA: Låt inte batterilåset sitta kvar i facket om batteriet oväntat skulle tas ut.

STARTA ELVERKTYGET (BILD F)

■ PU2710/PU2710RC

1. Sätt nyckeln i Strömbrytare och vrid den 45° medurs till "ON"-läget, så är strömförsörjningsenheten redo att arbeta när LED-skärmen och batteripaketets gröna lampa tänds.
2. Vrid nyckeln 45° medurs igen till läget "START", aggregatet börjar arbeta.

■ PU2710E

UPPMÄRKSAMMA: Följ alltid nedanstående steg för att starta strömaggreatet. Aggregatet kan inte starta om den anslutna strömbrytaren slås på innan nyckeln vrids till "PÅ"-läget.

1. Sätt nyckeln i strömbrytaren och vrid den till "PÅ"-läget. Strömaggreatet är klar att användas när LED-skärmen och batteripaketets gröna lampa tänds.
2. Slå på den anslutna strömbrytaren (medföljer ej) och aggregatet börjar arbeta.

UPPMÄRKSAMMA: Nyckeln kan inte tas ut ur brytarfacket när kraftaggreatet är klart att arbeta eller är i drift.

STOPPA ELVERKTYGET

■ PU2710/PU2710RC

Stoppa kraftaggreatet tillfälligt vrid du bara nyckeln till läget "ON".

För att stoppa aggregatet helt, vrid nyckeln till "OFF"-läget.

■ PU2710E

Stoppa strömenheten tillfälligt genom att stänga av den anslutna elektroniska strömbrytaren (medföljer ej).

För att stoppa aggregatet helt, vrid nyckeln till "OFF"-läget."

UPPMÄRKSAMMA: För att förhindra oväntad start, vrid nyckeln till "OFF"-läget för att stänga av aggregatet helt.

HASTIGHETSINSTÄLLNING (BILD G)

Vrid på den steglösa spaken och använd indikeringsspåret på spaken för att hitta och välja hastighet mellan "ECO" och "TURBO".

UPPMÄRKSAMMA: Hastigheten kan också förinställas före start.

G-1	Monteringsspår
-----	----------------

STRÖMFÖRSÖRJNING AV BELYSNINGSTRUSTNING

Detta kraftaggreat kan leverera ström till extern belysningsutrustning, och spänningen överensstämmer med kraft huvudets märkspänning.

1. Lossa de sex skruvorna från frontluckan och ta bort frontluckan (bild H1).
2. Det finns två par externa portar reserverade inuti kraftaggreatet, där ett par till vänster är utgångsporten, och den vänstra är negativ och den högra är positiv (med ett positivt och negativt tecken vid gränssnittet) (bild H2).
3. Ta bort blockeringen och använd lämpliga kablar för att ansluta kraftaggreatet och belysningsutrustningen. Anslutningsänden ska vara en terminalklämma och kan anslutas med M5-skrivar (bild H3).

4. Du behöver inte byta ut blocket och slutligen byta ut frontluckan (bild H4).

UPPMÄRKSAMMA: En säkring på högst 12A måste anslutas för att skydda kraftaggregatet. Eventuella produktskador som orsakas av att en säkring inte har anslutits täcks inte av garantin.


ANSLUTNING TILL EXTERN SÄKERHETSBRYTARE






En extern säkerhetsbrytare kan anslutas till kraftaggregatet, så att operatören kan stoppa kraftaggregatet i tid i händelse av nödsituationer.

1. Ta bort de sex skruvarna från frontluckan och ta bort frontluckan (bild I1).
2. Det finns två externa portar reserverade inuti kraftaggregatet, använd det högra paret. Lossa skruvarna och ta bort kabeln (bild I2).
3. Ta bort blocket och anslut kraftaggregatet med lämpliga kablar. Anslutningsändan ska vara en terminalklämma och kan anslutas med M5-skruvar (bild I3).
4. Det finns ingen anledning att byta ut blocket och slutligen sätta tillbaka frontluckan (bild I4).

NOTERA: Att stoppa kraftenheten via en extern säkerhetsbrytare kan bara stoppa kraftenhetens motor och kan inte stänga av enheten helt, vilket innebär att hela enheten fortfarande är i starttillstånd. För att starta om kraftaggregatet, återuppta den elektriska anslutningen av den externa säkerhetsbrytaren.

LED-SKÄRM

DISPLAY	INNEBÖRD	ÅTGÄRD
	skydd för låsrotor	<ul style="list-style-type: none"> ▪ Bryt strömmen och kontrollera om det finns några blockeringar runt lasten. Starta om kraftaggregatet efter rengöringen. Om låsrotorskyddet fortfarande visas, kontakta EGO serviceverkstad för reparation.

	Låg spänning	<ul style="list-style-type: none"> ▪ Ladda batteripaketen.
	Batteripaketet har övertemperatur	<ul style="list-style-type: none"> ▪ Kontrollera och rengör luftrenaren ▪ Låt batteriet svalna tills den gula LED-lampan slutar blinka eller prova ett eller flera batteripaket med högre kapacitet.
	Elverktyget har övertemperatur	<ul style="list-style-type: none"> ▪ Vänta tills aggregatet har svalnat. ▪ Minska arbetsbelastningen.
	Överströmskydd för huvudkort	<ul style="list-style-type: none"> ▪ Försök att minska arbetsbelastningen
	Kommunikationsfel	<ul style="list-style-type: none"> ▪ Kontakta ett EGO servicecenter för reparation.

SE

UNDERHÅLL

⚠ VARNING: För att förhindra personskador, ta ut batteripaketet före service, rengöring av enheten.

⚠ VARNING: Vid service ska enbart identiska utbyteskomponenter användas. Användning av andra delar kan skapa risker eller orsaka produktskador. För att garantera en säker och pålitlig användning måste alla reparationer utföras av en kvalificerad servicetekniker.

RENGÖRA ELVERKTYGET

- Rengör elverktuget med en fuktad trasa och ett mildt rengöringsmedel. Låt aldrig någon vätska komma in i elverktuget; sänk aldrig ner någon del av elverktuget i en vätska.
- Använd inte starka rengöringsmedel på plasthöljet. De kan skadas av vissa aromatiska oljor som t.ex. tall och citron, samt av lösningsmedel som t.ex. fotogen. Fukttork kan även utgöra en risk för elektriska stötar. Torka bort eventuell fukt med en mjuk och torr trasa.

LUFTRENARSERVICE

Ta bort

1. Vrid låsratten moturs enligt ikonen som visas på den och ta ut luftrenaren direkt (bild J1).

J1-1	Låsratt
------	---------

2. Det rekommenderas att använda tryckluft för att rengöra svampnätfiltret efter behov eller byta till en nytt om så behövs (bild J2).

J2-1	Luftrenarhölje	J2-2	Svampnät
------	----------------	------	----------

Installera

1. Placera svampnätet i luftrenarens hölje. Se till att alla sidor ligger plant utan knölar (bild J3).
2. Placera luftrenaren korrekt på strömenheten.
3. Tryck och vrid låsratten medurs för att låsa luftrenaren på plats (bild J4).

TRANSPORT/FÖRVARING

TRANSPORTERA ELVERKTYGET

⚠ FÖRSIKTIGHET: Vid skada på elverktuget låt aldrig PTO-axeln påverkas eller att någon kraft skjuter in PTO-axeln (bild K).

FÖRVARA ELVERKTYGET

- Ta ut batteripaketet från elverktuget.

- Rengör elverktuget noga innan förvaring.
- Förvara elverktuget på en torr, välventilerad plats, utom räckhåll för barn. Förvara inte elverktuget på eller i anslutning till gödningsmedel, bensin eller andra kemikalier.

SKYDDA MILJÖN



Kasta inte elektrisk utrustning, annat batteri och laddare i hushållssoporna! Ta denna produkt till en auktoriserad återvinnare och gör den tillgänglig för separat insamling. Elektriska verktyg måste returneras till en miljöanpassad återvinningsanläggning.

SE

FELSÖKNING

PROBLEM	ORSAK	LÖSNING
Elverktyget startar inte.	<ul style="list-style-type: none"> För PU2710/PU2710RC är strömbrytaren inte i "START"-läget. För PU2710E slås den anslutna strömbrytaren på innan du vrider nyckeln till "PÅ"-läget. Batteripaketet är inte aktiverade på plats i batterifacket. Andra oidentifierade orsaker. 	<ul style="list-style-type: none"> Vrid strömbrytaren till läge "START". Vrid alltid nyckeln till "PÅ"-läget först och slå sedan på den anslutna strömbrytaren. Fäst batteripaketet i batterifacket och tryck tills du hör ett "klick". Kontakta en kvalificerad servicetekniker för reparation.
Elverktyget slutar arbeta.	<ul style="list-style-type: none"> Batteripaketet är tömt. Elverktyget är överbelastat. Batteripaketet har övertemperatur. Elverktyget har övertemperatur. Andra oidentifierade orsaker. 	<ul style="list-style-type: none"> Ladda batteripaketet/en. Minska arbetsbelastningen. Minska arbetsbelastningen eller byt batteripaket till de med större kapacitet. Undvik att använda batteripaketet i miljöer med höga temperaturer. Kontrollera och rengör luftrenaren Minska belastningen och undvik att använda elverktyget i miljöer med höga temperaturer. Kontakta en kvalificerad servicetekniker för reparation.
Varvtalet ändras inte när den steglösa spaken vrids.	<ul style="list-style-type: none"> Om omgivningen är alltför bullrig är det svårt att uppmärksamma ändringar. Oidentifierade fel. 	<ul style="list-style-type: none"> Stoppa kraftaggregatet och justera hastigheten igen. Mät hastighetsskillnaden för vidare kontroll om så behövs. Kontakta EGO kundtjänst för reparation.
Hastigheten sänks automatisk vid kraftig kontinuerlig belastning och bibehåller en låg hastighetsnivå, vilket kan identifieras genom ett löpande ljud.	<ul style="list-style-type: none"> Elverktyget har en automatisk inställningsfunktion för överbelastningskydd. 	<ul style="list-style-type: none"> Minska belastningen under aktuell situation och elverktyget kommer att återgå till full hastighet.

SE

GARANTI

EGO GARANTIPOLICY

Besök webbsidan poweredbyego.com för fullständiga villkor för EGO garantipolicy.

TURVALLISUUSOHJEET

VAROITUS: Lue kaikki työkalun mukana tulleet turvallisuusvaroitukset, ohjeet, piirustukset ja tekniset tiedot. Jos kaikkia alla olevia ohjeita ei noudateta, seurauksena saattaa olla sähköisku, tulipalo ja/tai vakava loukkaantuminen.

SÄILYTÄ KAIKKI VAROITUKSET JA OHJEET MYÖHEMPÄÄ KÄYTTÖÄ VARTEN.

- Pidä työskentelyalue siistinä ja hyvin valaistuna. Sotkuiset tai hämärät alueet aiheuttavat onnettomuuksia.
- Älä käytä tehoyksikköä räjähdysriskissä ympäristössä, kuten syttyvien nesteiden, kaasujen tai pölyn läheisyydessä.
- Häiriötekijät voivat aiheuttaa hallinnan menettämisen.
- Liitä pistorasiaan (jos käytettävissä) oikeanlainen pistotulppa. Älä ikinä muokkaa pistorasiasa ja pistotulppaa millään tavalla. Muokkaamattomat pistotulpat ja sopivat pistorasiat vähentävät sähköiskun vaaraa.
- Ole valpas, tarkkaavainen ja käytä maalaisjärkeä, kun käytät tehoyksikköä. Älä käytä tehoyksikköä, kun olet väsynyt tai kun olet huumeiden, alkoholin tai lääkityksen vaikutuksen alaisena. Hetken tarkkaamattomuus tehoyksikköä käytettäessä voi johtaa vakavaan loukkaantumiseen.
- Käytä henkilönsuojaimia. Tarvittaessa käytettävät suojavarusteet, kuten hengityssuojain, liukuesteelliset turvakengät, suojakypärä tai kuulonsuojaimet, vähentävät henkilövahinkoja.
- Pukeudu asianmukaisesti. Älä käytä väljiä vaatteita tai koruja. Pidä hiukset ja vaatteet etäällä liikkuvista osista. Väljät vaatteet, korut tai pitkät hiukset voivat takertua liikkuviin osiin.
- Älä anna tuotteen tuttuuden toistuvan käytön takia



Lue ja ymmärrä käyttöopas

IPX5 Koteloitiluokka

V Jännite

tehdä sinua liian itsevarmaksi, äläkä jätä työkalun turvallisuusohjeita noudattamatta. Huolimaton toiminta voi aiheuttaa vakavan henkilövahingon sekunnin murto-osassa.

- Huollata tehoyksikkö asiantuntevalla korjaajalla, joka käyttää vain identtisiä varaosia. Näin taataan tehoyksikön turvallisuuden säilyminen.
- Ole aina erityisen varovainen, kun käynnistät tehoyksikön liittämättä sitä täydellisesti työkaluun.
- Älä käytä akkua tai työkalua, joka on vaurioitunut tai jota on muutettu. Vaurioituneet tai muutetut akut voivat käyttäytyä arvaamattomasti ja aiheuttaa tulipalon, räjähdyksen tai henkilövahingon vaaran.
- Älä altista akkua tai työkalua tulelle tai äärimmäisille lämpötiloille. Altistaminen yli 130 °C:n lämpötilalle voi aiheuttaa räjähdyksen.
- Noudata kaikkia latausohjeita, äläkä lataa akkua tai työkalua lämpötilassa, joka ei ole ohjeissa ilmoitetun lämpötila-alueen sisällä. Virheellinen lataaminen tai lataaminen ilmoitetun lämpötila-alueen ulkopuolella olevassa lämpötilassa voi vaurioittaa akkua ja lisätä palovaaraa.
- Älä koskaan huolla vaurioituneita akkuja. Akkujen huollon saa tehdä vain valmistaja tai sen valtuuttamat huoltoliikkeet.
- Katso akkujen varoimet akkujen käyttöoppaista.

FI

TURVALLISUUSYMBOLIT

VAROITUS: Minkä tahansa sähkötyökalun käyttö saattaa aiheuttaa vierasesineiden sinkoutumisen silmiin, mikä voi aiheuttaa vakavia silmävammoja. Käytä aina suojalaseja, joissa on sivusuojat, ja tarvittaessa koko kasvat peittävä suojaa, kun käytät sähkötyökaluja. Silmälasien päällä suosittelemme käytettäväksi suojamaskia, jossa on laaja näkökenttä, tai tavallisia suojalaseja, joissa on sivusuojat.



Vanhoja sähkölaitteita ei saa hävittää kotitalousjätteen mukana. Vie laite valtuutettuun kierrätyslaitokseen.

— — — Tasavirta

TEKNISET TIEDOT

Jännite	56 V $\overline{\text{---}}$
Pituus x leveys x korkeus	PU2710/PU2710E: 342 mm x 306 mm x 344 mm PU2710RC: 342 mm x 290 mm x 344 mm
Paino (ilman akkua)	PU2710/PU2710E: 11.4 kg PU2710RC: 11.5 kg
IP	IPX5
Akun liitäntä	Kaksi porttia
Nopeuden säädin	Eco-/turbo-tilat (portaaton säätö 1200–3600 RPM).
Toimintahäiriön LED-merkkivalo	Kyllä
Jäähdytysjärjestelmä	Ilmajäähdytteinen
Ilmanpuhdistaja	Helposti vaihdettava sieniverkko
Nettoteho	3,47 kW @ 3450 RPM
Maks. nettovääntömomentti	9,2 N.m @ 3450 RPM
Elektroninen jarru	Kyllä
PTO-varsi	Vaaka
PTO-varren kierto (PTO-varren puolelta)	Vastapäivään
PTO-varren mitat	Katso kuva A2
Suositteltu käyttölämpötila	-15–40 °C
Suositteltu säilytyslämpötila	0–50 °C

KUVAUS

TUNNE TEHOYKSIKKÖ (kuva A1)

- Akkulokeron kansi
- Poistomekanismi
- Akkulokero
- Akun vapautuspaikka
- Lukitusnappi
- Ilmanpuhdistaja
- Virtakytkin*
- LED-näyttö*

68

- Käyttötunnit yhteensä (t)
- Bluetooth-symboli
- Pyörimisnopeuden symboli
- Akun varaustason symboli
- Toimintahäiriön symboli
- Estosymboli
- Yliämpötilan symboli
- Portaattoman säädön vipu*
- Johdonliitäntä/lohko
- Jalusta
- PTO-varsi
- Avaimen kierteitysreikä
- Akun vapautin
- Avain (x 2)

***HUOMAA:** Virtakytkimen, LED-näytön ja portaattoman säädön vivun ohjauspaneelikotelo on integroitu PU2710-/PU2710E-yksikköön, mutta se on erotettu PU2710RC-yksiköstä.

PAKKAUSLUETTELO (KUVA A1)

KOKOAMINEN

■ PU2710

Ei vaadi kokoamista.

■ PU2710RC

Yhdistä ohjauspaneeli tehoyksikköön (kuvat. B1 ja B2)

B1-1	Kaapelin liitäntä	B1-2	Kaapelin pistoke
B2-1	Pääty-kansi	B2-2	Ruuvi (x4)

■ PU2710E

Liitä laite kytkimellä tai muulla vastaavalla (ei mukana).

- Irrota etukannen kuusi ruuvia ja irrota etukansi (kuva C1).
- Akkupään sisällä on varattu kaksi ulkoista porttia, löysää mutterit (kuva C2).
- Irrota esto, käytä sopivia johtoja tehoyksikön ja käynnistyskytkimen tai muun vastaavan liittämiseen. Liitäntäpään on oltava liitäntäkorvake ja se voidaan liittää muttereilla (kuva C3).
- Estoa ei tarvitse asettaa, aseta lopuksi etukansi takaisin paikoilleen (kuva C4).

C1-1	Ruuvi (x6)	C1-2	Mutteri ja aluslevy (x2)
C2-1	Esto		

KÄYTTÖ

TARKASTUS ENNEN KÄYTTÖÄ

Ilmanpuhdistaja (kuva D)

Tarkista ilmanpuhdistajan osat, jotta ne ovat puhtaat ja hyvässä kunnossa.

Puhdista tai vaihda osat tarvittaessa noudattamalla kohdan "ILMANPUHDISTAJAN HUOLTO" ohjeita.

▲ HUOMAUTUS: Älä koskaan käytä tehoyksikköä ilman ilmanpuhdistajaa. Seurauksena on nopea kuluminen.

AKUN KIINNITYS/IRROTUS

Käytä vain suositeltujen EGO-akkujen ja -latureiden kanssa (kuva A3). Optimaalisen suorituskyvyn saavuttamiseksi, suosittelemme käyttämään: 2 x 12 Ah, 2 x 10 Ah tai vähintään 2 x 7,5 Ah akkuja.

Lataa täyteen ennen ensimmäistä käyttökertaa

- Kiinnitä akku** kohdistamalla akun ulokkeet tehoyksikön ohjausaukkoihin ja paina akkua alaspäin, kunnes kuulet naksahduksen (kuva E1).
- Irrota akku** asettamalla akun vapautin aukkoon ja työntämällä sitä oikealle puolelle; sen jälkeen akku ponnahtaa ulos akkulokerosta (kuva E2).

E2-1	Akun vapautuspaikka
------	---------------------

HUOMAUTUS: akku voidaan irrottaa vain akun vapauttimen avulla.

HUOMAA: Älä jätä akun vapautinta aukkoon, jos akku otetaan odottamatta pois.

TEHOYKSIKÖN KÄYNNISTÄMINEN (KUVA F)

■ PU2710/PU2710RC

- Laita avain Virtakytkin ja käännä 45° myötäpäivään asentoon "ON", tehoyksikkö on valmis toimimaan, kun LED-näyttö ja akun vihreä valo syttyvät.
- Käännä avainta uudelleen 45° myötäpäivään asentoon "START", tehoyksikkö alkaa toimia.

■ PU2710E

HUOMAUTUS: Noudata aina alla olevia ohjeita tehoyksikön käynnistämiseksi. Tehoyksikkö ei käynnisty, jos yhdistetty kytkin käännetään päälle ennen avaimen kääntämistä "ON"-asentoon.

- Aseta avain virtakytkimen aukkoon ja käännä se sitten "ON"-asentoon. Tehoyksikkö on valmis toimimaan, kun LED-näyttö ja akun vihreä valo syttyvät.
- Kytke päälle yhdistetty kytkin (ei mukana),

tehoyksikkö alkaa toimia.

HUOMAUTUS: Avainta ei voi ottaa pois kytkinpaikasta, kun tehoyksikkö on käyttövalmis tai se toimii.

TEHOYKSIKÖN PYSÄYTTÄMINEN

■ PU2710/PU2710RC

Pysäyttääksesi tehoyksikön tilapäisesti kääntämällä avaimen "ON"-asentoon.

Jos haluat pysäyttää tehoyksikön kokonaan, käännä avain "OFF"-asentoon.

■ PU2710E

Pysäyttääksesi tehoyksikön tilapäisesti, kytke yhdistetty kytkin (ei mukana) pois päältä.

Jos haluat pysäyttää tehoyksikön kokonaan, käännä avain "OFF"-asentoon.

HUOMAUTUS: Tahattoman käynnistymisen estämiseksi käännä avain OFF-asentoon, jotta tehoyksikkö sammuu kokonaan.

NOPEUDEN SÄÄTÄMINEN (KUVA G)

Käännä portaattoman säädön vipua ja käytä vivussa olevaa merkkikohtaa, joka auttaa sinua löytämään ja valitsemaan nopeuden asetusten "ECO" ja "TURBO" välillä.

HUOMAUTUS: Nopeus voidaan esiasettaa myös ennen käynnistystä.

G-1	Merkkikohta
-----	-------------

VALAISULAITTEIDEN VIRRANSYÖTTÖ

Tämä tehoyksikkö voi syöttää virtaa ulkoisille valaisulaitteille, ja jännite vastaa akkupään nimellisjännitettä.

- Irrota etukannen kuusi ruuvia ja irrota etukansi (kuva H1).
- Tehoyksikön sisällä on kaksi paria ulkoisia portteja, joista vasemmanpuoleinen pari on lähtöportti, ja vasen on negatiivinen ja oikea positiivinen (liitännässä on positiivinen ja negatiivinen merkki) (kuva H2).
- Irrota esto ja käytä sopivia johtoja tehoyksikön ja valaisulaitteiden yhdistämiseen. Liitäntäpään on oltava liitäntäkorvake, ja se voidaan liittää M5-ruuveilla (kuva H3).
- Estoa ei tarvitse asettaa, aseta lopuksi etukansi takaisin paikalleen (kuva H4).

HUOMAUTUS: Tehoyksikön suojaksi on kytkettävä

FI

enintään 12 A:n sulake. Takuu ei kata sulakkeen kytkemättä jättämisestä aiheutuneita tuotevaurioita.

YHDISTÄMINEN ULKOISEEN TURVAKYTKIMEEN


Tehoyksikkö voidaan yhdistää ulkoiseen turvakytkimeen, jonka avulla käyttäjä voi pysäyttää tehoyksikön ajoissa hätätilanteissa.

1. Irrota etukannen kuusi ruuvia ja irrota etukansi (kuva I1).
2. Akkupään sisällä on varattu kaksi ulkoista porttia, käytä oikeanpuoleista paria. Löysää ruuvit ja irrota johto (kuva I2).
3. Irrota esto ja yhdistä tehoyksikkö sopivilla johdoilla. Liitäntäpään on oltava liitäntäkorvake, ja se voidaan liittää M5-ruuveilla (kuva I3).
4. Estoa ei tarvitse asetta, aseta lopuksi etukansi takaisin paikalleen (kuva I4).

FI

HUOMAA: Ulkoisen turvakytkimen avulla tapahtuva tehoyksikön pysäyttäminen pysäyttää vain tehoyksikön moottorin, se ei sammuta yksikköä kokonaan, mikä tarkoittaa sitä, että koko yksikkö on edelleen käynnistystilassa. Käynnistäaksesi tehoyksikön uudelleen, kytke ulkoisen turvakytkimen sähköliitäntä uudelleen.

LED-NÄYTTÖRUUTU

NÄYTTÖ	MERKITYS	TOIMENPIDE
	Roottorin suojauksen lukitus	<ul style="list-style-type: none"> Katkaise virta ja tarkista, ettei kuorman ympärillä ole tukoksia. Käynnistä tehoyksikkö uudelleen puhdistuksen jälkeen. Jos roottorin suojauksen lukitus näkyy edelleen, ota yhteys EGO-huoltokeskukseen korjausta varten.

	Alhainen jännite	<ul style="list-style-type: none"> Lataa akku/akut uudelleen.
	Akun lämpötila on liian korkea	<ul style="list-style-type: none"> Tarkista ja puhdista ilmanpuhdistaja. Anna akun jäähtyä, kunnes keltainen LED lakkaa vilkkumasta, tai kokeile akkuja, joiden kapasiteetti on suurempi.
	Tehoyksikkö ylikuumentunut	<ul style="list-style-type: none"> Odota, että tehoyksikkö jäähtyy. Vähennä kuormitusta.
	Pääpiirin ylivirtasuojaus	<ul style="list-style-type: none"> Yritä vähentää kuormitusta
	Yhteyshäiriö	<ul style="list-style-type: none"> Ota yhteys EGO-huoltokeskukseen korjausta varten.

HUOLTAMINEN

VAROITUS: Poista akut ennen yksikön huolto- tai puhdistustoimenpiteitä, jotta vältät henkilövahingot.

VAROITUS: Käytä huollon yhteydessä vain identtisiä varaosia. Muiden osien käyttö saattaa aiheuttaa vaaran tai laitteen vaurioitumisen. Pätevän huoltoteknikon tulee

suorittaa kaikki korjaukset, jotta voidaan taata tuotteen turvallinen ja luotettava käyttö.

TEHOYKSİKÖN PUHDISTAMINEN

- Puhdista tehoyksikkö kostealla liinalla ja miedolla puhdistusaineella. Älä ikinä päästä vettä tehoyksikön sisälle; äläkä koskaan upota mitään tehoyksikön osaa nesteeseen.
- Älä käytä voimakkaita puhdistusaineita muoviseen koteloon. Ne saattavat vahingoittaa tietyistä aromaattisista öljyistä, kuten männystä ja sitruunasta, ja liuottimista, kuten kerosiinista. Kosteus voi myös aiheuttaa sähköiskun vaaran. Pyyhi kosteus pois pehmeällä, kuivalla liinalla.

ILMANPUHDISTAJAN HUOLTAMINEN

Poistaminen

1. Käännä lukitusnuppia vastapäivään siinä olevan kuvan mukaisesti ja irrota ilmanpuhdistaja suoraan (kuva J1).

J1-1	Lukitusnuppi
------	--------------

2. Suosittelemme käyttämään ilmapistoolia sieniverkkosuodattimen puhdistamisessa tarvittaessa tai vaihtamaan suoraan uuden suodattimen (kuva J2).

J2-1	Ilmanpuhdistajan kansi	J2-2	Sieniverkko
------	------------------------	------	-------------

Asennus

1. Laita sieniverkko ilmanpuhdistajan kanteen. Varmista, että kaikki sivut ovat kunnolla paikoillaan ilman kohoumia (kuva J3).
2. Aseta ilmanpuhdistaja tehoyksikköön oikein.
3. Paina ja käännä lukitusnuppia myötäpäivään, kunnes ilmanpuhdistaja lukittuu paikalleen (kuva J4).

KULJETTAMINEN/SÄILYTTÄMINEN

TEHOYKSİKÖN KULJETTAMINEN

⚠ HUOMAUTUS: Mikäli tehoyksikkö vaurioituu, älä anna PTO-varren vahingoittua tai paina PTO-varrtta voimakkaasti (kuva K).

TEHOYKSİKÖN SÄILYTTÄMINEN

- Poista akut tehoyksiköstä.
- Puhdista tehoyksikkö perusteellisesti ennen varastointia.
- Säilytä tehoyksikkö kuivassa, hyvin ilmastoidussa paikassa poissa lasten ulottuvilta. Älä säilytä tehoyksikköä lannoitteiden, bensiinin tai muiden kemikaalien päällä tai vieressä.

YMPÄRISTÖNSUOJELU



Älä hävitä sähkölaitteita, käytettyjä akkuja tai laturia kotitalousjätteen seassa! Vie tämä tuote hyväksytyyn kierrätyspaikkaan tai anna se erilliseen keräilyyn. Sähkötyökalat tulee palauttaa asianmukaiseen ympäristöstävälliseen kierrätyslaitokseen.

VIANMÄÄRITYS

ONGELMA	SYY	RATKAISU
Tehoyksikkö ei käynnisty.	<ul style="list-style-type: none"> Mallissa PU2710/PU2710RC virtakytkintä ei ole kytketty "START"-asentoon. Mallissa PU2710E yhdistetty kytkin kytketään päälle ennen avaimen kääntämistä "ON"-asentoon. Akkuja ei ole kiinnitetty paikoilleen akkulokerossa. Muut tunnistamattomat syyt. 	<ul style="list-style-type: none"> Käännä kytkin asentoon "START". Käännä avain aina ensin "ON"-asentoon ja kytke sitten yhdistetty kytkin päälle. Kiinnitä akku akkulokeroon ja paina, kunnes kuulet naksahduksen. Korjausasioissa ota yhteyttä pätevään huoltoasentajaan.
Tehoyksikkö lopettaa toimimisen.	<ul style="list-style-type: none"> Akku on tyhjä. Tehoyksikkö on ylikuormittunut. Akku on ylikuumentunut. Tehoyksikkö on ylikuumentunut. Muut tunnistamattomat syyt. 	<ul style="list-style-type: none"> Lataa akku/akut. Vähennä työkuormaa. Vähennä työkuormaa tai vaihda suuremman kapasiteetin akkuihin. Vältä akkujen käyttöä korkean lämpötilan ympäristössä. Tarkista ja puhdista ilmanpuhdistaja. Vähennä kuormitusta ja vältä tehoyksikön käyttöä korkean lämpötilan ympäristössä. Korjausasioissa ota yhteyttä pätevään huoltoasentajaan.
Nopeus ei muutu, kun käännät portaattoman säädön vipua.	<ul style="list-style-type: none"> Jos ympäristössä on paljon melua, muutoksia on vaikea tunnistaa. Tunnistamattomat viat. 	<ul style="list-style-type: none"> Pysäytä tehoyksikkö ja säädä nopeus uudelleen. Mittaa nopeusero mahdollisia lisätarkastuksia varten. Ota yhteyttä EGO:n asiakaspalveluun korjausta varten.
Nopeus hidastuu automaattisesti, kun laitteessa on jatkuvasti raskas kuormitus ja hidas nopeustaso säilyy, mikä voidaan tunnistaa käyntiäänestä.	<ul style="list-style-type: none"> Tehoyksikössä on automaattinen säätötoiminto ylikuormitusuojalle. 	<ul style="list-style-type: none"> Vähennä kuormaa todellisen tilanteen mukaan, silloin tehoyksikkö palaa täyden nopeuden tilaan.

FI

TAKUU

EGON TAKUUEHDOT

Verkkosivustolta poweredbyego.com löydät EGO:n takuukäytännön täydelliset ehdot.

SIKKERHETSINSTRUKSJONER

⚠ ADVARSEL: Les alle sikkerhetsadvarsler, instruksjoner, illustrasjoner og spesifikasjoner som følger med dette verktøyet. Manglende etterlevelse av alle instruksjonene under kan resultere i elektrisk støt, brann og/eller alvorlig skade.

LAGRE ALLE ADVARSLER OG INSTRUKSJONER FOR FREMTIDIG REFERANSE.

- **Hold arbeidsområdet rent og godt opplyst.** Rotete eller mørke områder gjør at ulykker lettere oppstår.
- **Ikke bruk kraftenheten i eksplosive atmosfærer, for eksempel i nærvær av brennbare væsker, gasser eller støv.**
- Distraksjoner kan føre til at du mister kontrollen.
- **Match stikkkontakten (hvis aktuelt) med riktig plugg. Aldri endre kontakten og støpselet på noen måte.** Uendrede plugg og matchende stikkontakter reduserer risikoen for elektrisk støt.
- **Vær på vakt, se hva du gjør, og bruk sunn fornuft når du bruker enheten. Ikke bruk strømaggregatet mens du er sliten eller påvirket av narkotika, alkohol eller medisiner.** Et øyeblikks uoppmerksomhet mens du bruker kraftenheten kan føre til alvorlig personskade.
- **Bruk personlig verneutstyr.** Verneutstyr som støvmaske, skliskre sko, hard hatt eller hørselvern som brukes under passende forhold, reduserer personskader.
- **Kle deg riktig. Ikke bruk løstsittende klær eller smykker. Hold hår og klær på avstand fra bevegelige deler.** Løse klær, smykker eller langt hår kan sette seg fast i bevegelige deler.
- **Selv om du har opparbeidet deg erfaring gjennom hyppig bruk av verktøyet må du alltid være årvåken og følge sikkerhetsinstruksjonene.** Et ørlite



Les og forstå brukerhåndboken

IPX5 Ingress beskyttelsesgrad

V Spenning

øyeblikks uoppmerksomhet er alt som skal til for at alvorlige personskader kan oppstå.

- **La din elektriske enhet repareres av en kvalifisert reparatør som bare bruker identiske reservedeler.** Dette vil sikre at sikkerheten til kraftenheten opprettholdes.
- **Vær alltid ekstra forsiktig når du starter kraftenheten uten å montere den helt til verktøyet.**
- **Ikke bruk en batteripakke eller et verktøy som er skadet eller tilpasset.** Skadde eller modifiserte batterier kan oppføre seg uforutsigbart og medføre brann, eksplosjon eller risiko for personskade.
- **Ikke eksponer batteripakken eller verktøyet for ild eller svært høye temperaturer.** Eksponering for ild eller temperaturer over 130 °C kan forårsake eksplosjon.
- **Følg alle ladeinstruksjonene og ikke lad batteriet eller verktøyet utenfor temperaturområdet som er angitt i instruksjonene.** Hvis batteriet lades på feil måte eller ved temperaturer som er utenfor det angitte området, kan batteriet bli skadet og brannrisikoen øke.
- **Batteripakker som er skadet, må aldri brukes.** Service på batteripakker må bare utføres av produsenten eller autoriserte tjenesteleverandører.
- Se bruksanvisningen for batteripakken for forholdsregler angående batteripakker.

NO

SIKKERHETSSYMBOLER

⚠ ADVARSEL: Bruk av hvilke som helst elektroverktøy kan føre til at fremmedlegemer blir kastet mot øynene, noe som kan gi alvorlige øyeskader. Før du begynner å bruke elektroverktøyet, skal du alltid ta på vernebriller eller vernebriller med sidebeskyttelse, og en full ansiktsskjerm der det trengs. Vi anbefaler en Wide Vision Safety Mask til bruk over briller, eller standard vernebriller med sidebeskyttelse.



Elektriske produkter skal ikke kastes sammen med husholdningsavfallet. Send til en autorisert gjenvinner.



Likestrøm

SPESIFIKASJON

Spenning	56 V $\overline{\text{---}}$
Lengde x bredde x høyde	PU2710/PU2710E: 342 mm x 306 mm x 344 mm PU2710RC: 342 mm x 290 mm x 344 mm
Vekt (uten batteripakke)	PU2710/PU2710E: 11.4 kg PU2710RC: 11.5 kg
IP	IPX5
Batteriport	To porter
Fartskontroll	Eco/Turbo-modus (kontinuerlig variabel 1200-3600 RPM)
LED -indikator for feil	Ja
Kjølesystem	Luftkjølt
Luftrenser	Enkelt utskiftbart svampnett
Netto effekt	3,47 KW@3450 RPM
Maks. netto dreiemoment	9,2 N.m@3450 RPM
Elektronisk brems	Ja
Kraftoverføringsaksel	Horisontal
Kraftoverføringsakselrotasjon (fra kraftoverføringsakselsiden)	Mot klokken
Kraftoverføringsakseldimensjoner	Se fig. A2
Anbefalt driftstemperatur	-15°C – 40°C
Anbefalt lagringstemperatur	0°C – 50°C

BESKRIVELSE

KJENN DIN KRAFTENHET (Fig. A1)

1. Deksel til batterirom
2. Utkastermekanisme
3. Batteriskap
4. Batterifrigjøringsspor
5. Låseknapp
6. Luftrenser
7. Strømbryter*

8. LED-skjerm*
 - 8-a. Totalt antall driftstimer (H)
 - 8-b. Bluetooth-skilt
 - 8-c. Rotasjonshastighet, uten last
 - 8-d. Skilt for batterinivå
 - 8-e. Laderfeil.
 - 8-f. Blokkerende skilt
 - 8-g. Overtemperatur
9. Kontinuerlig variabel spak*
10. Ledningshull/blokk
11. Utgangspunkt
12. Kraftoverføringsaksel
13. Gjengehull for nøkkelen
14. Batteriutløser
15. Nøkkel (x2)

***MERK:** Kontrollpanelboksen til strømbryteren, LED-skjermen og den kontinuerlig variable spaken er integrert med enheten til PU2710/PU2710E, men den er atskilt fra enheten til PU2710RC.

PAKKELISTE (FIG. A1)

MONTERING

■ PU2710

Ingen montering er nødvendig.

■ PU2710RC

Anslut kontrollpanelboxen till strömenheten bild B1 och B2)

B1-1	Kabelkontakt	B1-2	Kabelkontakt
B2-1	Endedeksel	B2-2	Skrue (x4)

■ PU2710E

Koble til enheten med en bryter eller annen tilsvarende (følger ikke med).

1. Fjern de seks skruene fra frontdekselet og fjern frontdekselet (fig. C1).
2. Det er to eksterne porter reservert inne i strømhodet, løsne mutterne (fig. C2).
3. Fjern blokken, bruk egnede ledninger for å koble til strømenheten og en startbryter eller annen tilsvarende. Tilkoblingsenden skal være en klemmesko og kan kobles til gjennom mutrene (fig. C3).
4. Det er ikke nødvendig å bytte ut blokken, og til slutt setter du på frontdekselet (fig. C4).

C1-1	skruer (x6)	C1-2	Mutter og skive (x2)
C2-1	Blokk		

OPERASJON

KONTROLL FØR DRIFT

Luftrenser (fig. D)

Sjekk luftrenserelementene for å være sikker på at de er rene og i god stand.

Rengjør eller bytt ut elementene om nødvendig, følg instruksjonene i avsnittet "LUFTRENSERSERVICE".

⚠ FORSIKTIGHET: Kjør aldri strømenheten uten luftrenseren. Rask slitasje vil resultere.

BATTERIPAKKE TILKNYTNING/FØRSEL

Bruk kun med de anbefalte EGOs batteripakker og ladere (fig. A3). For optimal ytelse anbefales det å feste: 2 x 12Ah, 2 x 10Ah eller minst 2 x 7,5Ah batterier.

Lad helt opp før første gangs bruk

1. **For å feste batteripakken**, innrett batteriribbene med styresporene på strømenheten og trykk batteripakken ned til du hører et "klikk" (fig. E1).
2. **For å løse batteripakken**, sett batteriutløseren inn i sporet og skyv den mot høyre side; da vil batteriet pumpe ut fra batterirommet (fig. E2).

E2-1	Batterifrigjøringsspor
------	------------------------

MERKNAD: batteriet kan bare tas av via batteriutløseren.

MERK: Ikke la batteriutløseren være i sporet i tilfelle batteriet skulle bli tatt ut uventet.

STARTE STRØMENHETEN (FIG. F)

■ PU2710/PU2710RC

1. Sett nøkkelen inn i Strømbryter og vri 45° med klokken til "ON"-posisjonen, kraftenheten vil være klar til å fungere når LED-skjermen og det grønne lyset på batteripakken slås på.
2. Vri nøkkelen 45° med klokken igjen til "START"-posisjonen, kraftenheten begynner å fungere.

■ PU2710E

LEGG MERKE TIL: Følg alltid trinnene nedenfor for å starte strømenheten. Strømenheten kunne ikke starte hvis den tilkoblede bryteren er slått på før du dreier nøkkelen til "PÅ"-posisjon.

1. Sett nøkkelen inn i strømbrytersporet og vri den til "PÅ"-posisjon. Strømenheten vil være klar til å fungere når LED-skjermen og det grønne lyset på batteripakken slås på.
2. Slå på den tilkoblede bryteren (følger ikke med), kraftenheten begynner å fungere.

LEGG MERKE TIL: Nøkkelen kan ikke tas ut av

brytersporet når strømenheten er klar til å fungere eller i drift.

STOPPE STRØMENHETEN

■ PU2710/PU2710RC

For å stoppe strømenheten midlertidig, dreier nøkkelen til "ON"-posisjon.

For å stoppe kraftenheten helt, vri nøkkelen til "AV"-posisjon.

■ PU2710E

For å stoppe strømenheten midlertidig må du bare slå av den tilkoblede bryteren (følger ikke med).

For å stoppe kraftenheten helt, vri nøkkelen til "AV"-posisjon.

LEGG MERKE TIL: For å forhindre uventet oppstart, vri nøkkelen til "AV"-posisjon for å slå av strømenheten helt.

HASTIGHETSJUSTERING (FIG. G)

Drei den trinnløse spaken og bruk indikasjonssporet på spaken for å hjelpe deg med å finne og velge hastighet mellom "ECO" og "TURBO".

LEGG MERKE TIL: Hastigheten kan også forhåndsinnstilles før start.

G-1	Indikerer spor
-----	----------------

STRØMFØRENDE LYSUTSTYR

Denne kraftenheten kan levere strøm til eksternt lysutstyr, og spenningen er i samsvar med nominell spenning til strømhodet.

1. Fjern de seks skruene fra frontdekselet og fjern frontdekselet (fig. H1).
2. Det er to par eksterne porter reservert inne i strømenheten, med ett par til venstre som utgangsporten, og den venstre er negativ og den høyre er positiv (med et positivt og negativt fortegn ved grensesnittet) (fig. H2).
3. Fjern blokken og bruk egnede ledninger for å koble til strømenheten og lysutstyret. Tilkoblingsenden skal være en klemmesko og kan kobles til med M5-skruer (fig. H3).
4. Det er ikke nødvendig å bytte ut blokken, og til slutt setter du på frontdekselet (fig. H4).

LEGG MERKE TIL: En sikring på ikke mer enn 12A må kobles til for å beskytte strømenheten. Enhver produktskade forårsaket av at en sikring ikke er koblet til, dekkes ikke av garantien.

NO

TILKOBLING TIL EKSTERN SIKKERHETSBRYTER



En ekstern sikkerhetsbryter kan kobles til kraftenheten, slik at operatøren kan stoppe kraftenheten i tide i nødstilfeller.





1. Fjern de seks skruene fra frontdekselet og fjern frontdekselet (fig. I1).
2. Det er to eksterne porter reservert inne i strømhodet, bruk paret til høyre. løsne skruene og fjern ledningen (fig. I2).
3. Fjern blokken og koble til strømenheten med passende ledninger. Tilkoblingsenden skal være en klemmesko og kan kobles til med M5-skruer (fig. I3).
4. Det er ikke nødvendig å bytte ut blokken, og til slutt setter du tilbake frontdekselet (fig. I4).

MERK: Stopp av kraftenheten via en ekstern sikkerhetsbryter kan bare stoppe motoren til kraftenheten og kan ikke slå av enheten helt; som betyr at hele enheten fortsatt er i oppstartstilstand. For å starte strømenheten på nytt, gjenoppta den elektriske tilkoblingen til den eksterne sikkerhetsbryteren.

NO

LED SKJERM DISPLAY

WISE	BETYDNING	HANDLING
	lås rotorbeskyttelse	<ul style="list-style-type: none"> ▪ Slå av strømmen og se etter eventuelle blokkeringer rundt lasten. Etter rengjøring starter du strømenheten på nytt. Hvis låsrotorbeskyttelsen fortsatt vises, kontakt EGO servicesenter for reparasjon.
	Lav spenning	<ul style="list-style-type: none"> ▪ Lad opp batteripakke(n)e.

	Batteripakken er over temperatur	<ul style="list-style-type: none"> ▪ Sjekk og rengjør luftrenseren. ▪ La batteriet avkjøles til den gule LED-en slutter å blinke, eller prøv batteripakke(r) med høyere kapasitet.
	Kraftenhet over temperatur	<ul style="list-style-type: none"> ▪ Vent til strømenheten har kjølt seg ned. ▪ Reduser arbeidsmengden.
	Hovedkort overstrømsbeskyttelse	<ul style="list-style-type: none"> ▪ Prøv å redusere arbeidsmengden
	Kommunikasjonsfeil	<ul style="list-style-type: none"> ▪ Kontakt EGO servicesenter for reparasjon.

VEDLIKEHOLD

⚠ ADVARSEL: For å forhindre personskade, fjern batteripakkene før service, rengjør enheten.

⚠ ADVARSEL: Bruk bare identiske reservedeler ved service. Bruk av andre deler kan skape fare eller forårsake produktskade. For å sikre sikkerhet og pålitelighet bør alle reparasjoner utføres av en kvalifisert servicetekniker.

RENGJØRING AV KRAFTENHETEN

- Rengjør strømenheten med en fuktig klut med mildt rengjøringsmiddel. La aldri væske komme inn i kraftenheten. Dypp aldri noen del av kraftenheten ned i en væske.
- Ikke bruk sterke vaskemidler på plashuset. De kan bli skadet av visse aromatiske oljer, som furu og sitron, og av løsemidler som parafin. Fukt kan også forårsake sjokk. Tørk av fuktigheten med en myk, tørr klut.

LUFTRENSERTJENESTE

Å fjerne

1. Roter låseknappen mot klokken i henhold til ikonillustrasjonen på den og ta ut luftrenseren direkte (fig. J1).

J1-1	Låseknapp
------	-----------

2. Det anbefales å bruke en luftpistol som blåser rent svampnettingsfilteret etter behov eller erstatter et nytt direkte om nødvendig (fig. J2).

J2-1	Luftrenserdeksel	J2-2	Svamp mesh
------	------------------	------	------------

Å installere

1. Plasser svampnettingen i luftrenserdekslet. Sørg for at alle sider legges flatt uten pukler (Fig. J3).
2. Plasser luftrenseren riktig på strømenheten.
3. Trykk og roter låseknappen med klokken for å låse luftrenseren på plass (fig. J4).

TRANSPORT/LAGRING

TRANSPORT AV KRAFTENHETEN

⚠ FORSIKTIGHET: I tilfelle skade på kraftenheten, la aldri kraftoverføringsakselen bli støt eller la kraft presse inn kraftoverføringsakselen (fig. K).

LAGRING AV KRAFTENHETEN

- Fjern batteripakkene fra kraftenheten.
- Rengjør kraftenheten grundig før du lagrer den.

- Oppbevar kraftenheten på et tørt, godt ventilert sted, utilgjengelig for barn. Ikke lagre kraftenheten på eller ved siden av gjødsel, bensin eller andre kjemikalier.

BESKYTTER MILJØET



Elektrisk utstyr, brukte batterier og batteriladere må ikke kastes i husholdningsavfallet! Ta med dette produktet til autorisert gjenvinning, og gjør det tilgjengelig for separat innsamling. Elektriske verktøy må returneres til et miljøvennlig gjenvinningsanlegg.

NO

FEILSØKING

PROBLEM	ÅRSAK	LØSNING
Kraftenheten starter ikke.	<ul style="list-style-type: none"> For PU2710/PU2710RC er ikke strømbryteren satt til "START"-posisjon. For PU2710E slås den tilkoblede bryteren på før nøkkelen dreies til "PÅ"-posisjon. Batteripakken(e) er ikke festet på plass i batterirommet. Andre uidentifiserte årsaker. 	<ul style="list-style-type: none"> Vri bryteren til "START"-posisjon. Vri alltid nøkkelen til "PÅ"-posisjon først, og slå deretter på den tilkoblede bryteren. Fest batteripakken(e) i batterirommet, og trykk på den til du hører et "klikk". Kontakt en kvalifisert servicetekniker for reparasjon.
Kraftenheten slutter å fungere.	<ul style="list-style-type: none"> Batteriet (e) er utladet. Kraftenheten er overbelastet. Batteripakken (e) er over temperatur. Strømmen er over temperatur. Andre uidentifiserte årsaker. 	<ul style="list-style-type: none"> Lad opp batteripakken(e). Reduser arbeidsbelastningen. Reduser arbeidsbelastningen eller bytt ut med batterier med større kapasitet. Unngå å bruke batteripakken (e) i omgivelser med høy temperatur. Sjekk og rengjør luftrenseren. Reduser belastningen og unngå å bruke kraftenheten i omgivelser med høy temperatur. Kontakt en kvalifisert servicetekniker for reparasjon.
Hastigheten endres ikke når du vrir på den trinnløse spaken.	<ul style="list-style-type: none"> Hvis omgivelsene er for støyete, er det vanskelig å gjenkjenne endringer. Uidentifiserte feil. 	<ul style="list-style-type: none"> Stopp motorenheten, og juster hastigheten på nytt. Mål hastighetsforskjellen for ytterligere sjekk om nødvendig. Kontakt EGO kundeservice for reparasjon.
Hastigheten går automatisk ned når den lider av kontinuerlig tung belastning og opprettholder et lavt hastighetsnivå, noe som kan identifiseres gjennom løpelyd.	<ul style="list-style-type: none"> Kraftenheten har en automatisk justeringsfunksjon for overbelastningsbeskyttelse. 	<ul style="list-style-type: none"> Reduser belastningen i henhold til den faktiske situasjonen, og deretter vil kraftenheten gå tilbake til full hastighet.

NO

GARANTI

EGO GARANTIPOLITIKK

Besøk nettstedet poweredbyego.com for fullstendige vilkår og betingelser for EGO-garantipolicyen.

ИНСТРУКЦИЯ ПО ТЕХНИКЕ БЕЗОПАСНОСТИ

⚠ ПРЕДУПРЕЖДЕНИЕ. Прочитайте все правила безопасности, инструкции, иллюстрации и спецификации, прилагаемые к этому устройству. Невыполнение изложенных ниже инструкций может привести к поражению электрическим током, пожару и (или) тяжелым травмам.

СОХРАНИТЕ ВСЕ ПРЕДУПРЕЖДЕНИЯ И ИНСТРУКЦИИ ДЛЯ ИСПОЛЬЗОВАНИЯ В БУДУЩЕМ.

- Обеспечьте чистоту и освещенность рабочего места. Загроможденные и плохо освещенные места служат причиной несчастных случаев.
- Не используйте приводной блок во взрывоопасных местах, например вблизи горючих жидкостей, газов или пыли.
- Отвлекающие факторы могут привести к потере контроля.
- Вилка питания должна соответствовать розетке. Никогда не переделявайте вилку и розетку. Использование оригинальных вилок и соответствующих им розеток уменьшает риск поражения электрическим током.
- При использовании приводного блока будьте бдительны, следите за своими действиями и следуйте здравому смыслу. Не пользуйтесь приводным блоком, если вы устали или находитесь под воздействием наркотиков, алкоголя или медикаментов. Даже кратковременная невнимательность при работе с устройством может привести к тяжелым травмам.
- Используйте средства индивидуальной защиты. Использование защитного оборудования, такого как противопылевая маска, нескользкая предохранительная обувь, жесткая каска или устройства защиты органов слуха в соответствующих условиях уменьшает риск травмирования.
- Одевайтесь надлежащим образом. Не надевайте свободную одежду и украшения. Держите волосы и одежду подальше от движущихся частей. Свободная одежда, украшения и длинные волосы могут попасть в движущиеся части.
- Не допускайте небрежности, которая может возникнуть из-за частого использования инструмента и повлечь за собой самоуверенность и игнорирование правил

безопасности. Неосторожное действие может причинить серьезную травму за доли секунды.

- Ремонт устройства должен выполняться квалифицированным специалистом с использованием только идентичных запасных частей. Это обеспечит безопасную работу приводного блока.
- Всегда соблюдайте повышенную осторожность при запуске приводного блока без полной сборки инструмента.
- Не используйте аккумулятор и инструмент, если они повреждены или подвергались модификациям. Поведение поврежденных или модифицированных аккумуляторов может быть непредсказуемым, что приведет к возгоранию, взрыву и риску получения травм.
- Не подвергайте аккумуляторную батарею и инструмент воздействию огня и высокой температуры. Воздействие огня или температуры выше 130 °C может привести к взрыву.
- Следуйте всем инструкциям по зарядке и не заряжайте аккумулятор и инструмент при температуре, выходящей за пределы указанного диапазона. Если зарядка выполняется неправильно или в условиях неподходящей температуры, это может привести к повреждению аккумулятора и возгоранию.
- Никогда не выполняйте обслуживание поврежденного аккумулятора. Обслуживание аккумуляторов должно выполняться только производителем или в авторизованном сервисном центре.
- Сведения о мерах предосторожности при обращении с аккумуляторами см. в соответствующем руководстве по эксплуатации.

RU

СИМВОЛЫ БЕЗОПАСНОСТИ

⚠ ПРЕДУПРЕЖДЕНИЕ. В результате работы электроинструмента в глаза могут попасть посторонние предметы, что приведет к серьезному повреждению глаз. Перед началом использования электроинструмента всегда надевайте защитную маску или защитные очки с боковыми щитками и полнопрофильную защитную маску (при необходимости). Поверх очков или стандартных защитных очков рекомендуется надевать безопасную маску с широким обзором.



Внимательно прочитайте руководство пользователя.

IPX5 Класс защиты

B Напряжение



Неисправные электрические устройства нельзя выбрасывать вместе с бытовым мусором. Сдавайте их в авторизованные пункты сбора и утилизации.



Постоянный ток

ТЕХНИЧЕСКИЕ ХАРАКТЕРИСТИКИ

Напряжение	56 В $\overline{\text{---}}$
Длина x Ширина x Высота	PU2710/PU2710E: 342 x 306 x 344 мм PU2710RC: 342 x 290 x 344 мм
Масса (без аккумулятора)	PU2710/PU2710E: 11.4 кг PU2710RC: 11.5 кг
IP	IPX5
Разъем аккумулятора	Два порта
Регулировка скорости	Режимы Eco/Turbo (плавная регулировка 1200–3600 об/мин)
Светодиодный индикатор неисправности	Да
Система охлаждения	Воздушное охлаждение
Воздухоочиститель	Легко заменяемый сетчатый фильтр
Номинальная выходная мощность	3,47 кВт при 3450 об/мин
Макс. крутящий момент	9,2 Нм при 3450 об/мин
Электронный тормоз	Да
Вал отбора мощности	Горизонтальный
Вращение вала отбора мощности (со стороны вала)	Против часовой стрелки
Размеры вала отбора мощности	См. Рис. A2
Рекомендуемая рабочая температура	От -15 до 40 °C

Рекомендуемая температура хранения	От 0 до 50 °C
------------------------------------	---------------

ОПИСАНИЕ

ЧАСТИ ПРИВОДНОГО БЛОКА (Рис. A1)

1. Крышка батарейного отсека
2. Механизм выброса
3. Фиксатор аккумулятора
4. Паз для извлечения аккумулятора
5. Ручка фиксатора
6. Воздухоочиститель
7. Выключатель питания*
8. Светодиодный экран*
 - 8-а. Общее количество часов работы (4)
 - 8-б. Индикатор Bluetooth
 - 8-с. Индикатор скорости вращения
 - 8-д. Индикатор уровня заряда аккумулятора
 - 8-е. Индикатор неисправности
 - 8-ф. Индикатор блокировки
 - 8-г. Индикатор перегрева
9. Рычаг плавной регулировки*
10. Отверстие для проводки/блокировки
11. Основание
12. Вал отбора мощности
13. Резьбовое отверстие для ключа
14. Пластина для извлечения аккумулятора
15. Ключ (2 шт.)

*ПРИМЕЧАНИЕ. Блок панели управления с выключателем питания, светодиодным экраном и рычагом плавной регулировки интегрирован с блоком PU2710/PU2710E, но отделен от блока PU2710RC.

КОМПЛЕКТ ПОСТАВКИ (РИС. A1)

СБОРКА

- PU2710
Сборка не требуется.
- PU2710RC

RU

Подключите блок панели управления к приводному блоку (Рис. В1 и В2).

В1-1	Розетка кабеля	В1-2	Вилка кабеля
В2-1	Торцевая крышка	В2-2	Винт (4 шт.)

■ PU2710E

Подключите блок с помощью выключателя или аналогичного устройства (не входит в комплект).

1. Выкрутите шесть винтов из передней крышки и снимите ее (Рис. С1).
2. Внутри блока зарезервированы два внешних порта. Ослабьте гайки (Рис. С2).
3. Снимите блок. Используйте подходящие провода для подключения пускового переключателя или аналогичного устройства к приводному блоку. Провода должны иметь клеммные наконечники, которые подсоединяются с помощью гаек (Рис. С3).
4. Установите на место переднюю крышку (Рис. С4).

С1-1	Винт (x6)	С1-2	Гайка и шайба (x2)
С2-1	Блок		

ЭКСПЛУАТАЦИЯ

ПРОВЕРКА ПЕРЕД ИСПОЛЬЗОВАНИЕМ

Воздухоочиститель (Рис. D)

Проверьте элементы воздухоочистителя и убедитесь, что они чистые и находятся в хорошем состоянии.

При необходимости очистите или замените элементы в соответствии с инструкциями в разделе **ОБСЛУЖИВАНИЕ ВОЗДУХООЧИСТИТЕЛЯ**.

▲ ВНИМАНИЕ! Никогда не запускайте приводной блок без воздухоочистителя. Это может привести к быстрому износу.

УСТАНОВКА И СНЯТИЕ АККУМУЛЯТОРА

Используйте только рекомендованные аккумуляторы и зарядные устройства EGO (Рис. А3). Для обеспечения оптимальной производительности рекомендуется установить: аккумуляторы 2 x 12 Ач, 2 x 10 Ач или хотя бы 2 x 7,5 Ач.

Перед первым использованием полностью зарядите аккумулятор.

1. **Чтобы установить аккумулятор**, совместите ребра аккумулятора с направляющими пазами приводного блока и нажмите на аккумулятор вниз

до щелчка (Рис. Е1).

2. **Чтобы извлечь аккумулятор**, вставьте пластину для извлечения аккумулятора в паз и сдвиньте вправо. После этого аккумулятор выйдет из отсека (Рис. Е2).

Е2-1	Паз для извлечения аккумулятора
------	---------------------------------

ПРИМЕЧАНИЕ. Аккумулятор можно извлечь только с помощью этой пластины.

ПРИМЕЧАНИЕ. Не оставляйте пластину в пазе на случай неожиданного извлечения аккумулятора.

ЗАПУСК ДВИГАТЕЛЯ (Рис. F)

■ PU2710/PU2710RC

1. Вставьте ключ в гнездо переключателя. Выключатель питания и поверните на 45° по часовой стрелке в положение «ВКЛ». Приводной блок будет готов к работе, когда начнут светиться светодиодный экран и зеленый индикатор аккумулятора.
2. Еще раз поверните ключ на 45° по часовой стрелке в положение «ПУСК». Приводной блок начнет работать.

■ PU2710E

ПРИМЕЧАНИЕ. Всегда выполняйте описанные ниже действия, чтобы запустить приводной блок. Приводной блок не запустится, если подключенный выключатель будет включен до поворота ключа в положение «ВКЛ».

1. Вставьте ключ в гнездо выключателя питания и поверните его в положение «ВКЛ». Приводной блок будет готов к работе, когда начнут светиться светодиодный экран и зеленый индикатор аккумулятора.
2. Включите подключенный выключатель (не входит в комплект), чтобы запустить приводной блок.

ПРИМЕЧАНИЕ. Ключ нельзя извлекать из гнезда переключателя, когда приводной блок готов к работе или используется.

ОСТАНОВКА ПРИВОДНОГО БЛОКА

■ PU2710/PU2710RC

Чтобы временно остановить приводной блок, достаточно повернуть ключ в положение **ВКЛ**.

Для полной остановки приводного блока поверните ключ в положение **ВЫКЛ**.

■ PU2710E

Чтобы временно остановить приводной блок, выключите подключенный выключатель (не входит в комплект).

Для полной остановки приводного блока поверните ключ в положение «ВЫКЛ».

ПРИМЕЧАНИЕ. Для предотвращения непредвиденного запуска поверните ключ в положение «ВЫКЛ», чтобы полностью выключить приводной блок.

РЕГУЛИРОВКА СКОРОСТИ (РИС. G)

Поверните рычаг плавной регулировки и используйте индикаторную прорезь на рычаге, чтобы выбрать скорость между «ECO» и «TURBO».

ПРИМЕЧАНИЕ. Скорость также может быть предварительно установлена перед запуском.

G-1	Индикаторная прорезь
-----	----------------------

ПИТАНИЕ ОСВЕТИТЕЛЬНОГО ОБОРУДОВАНИЯ

С помощью этого приводного блока можно подавать питание на внешнее осветительное оборудование. Напряжение соответствует номинальному напряжению силовой головки.

1. Выкрутите шесть винтов из передней крышки и снимите ее (Рис. H1).
2. Внутри приводного блока зарезервированы две пары внешних портов. Одна пара (слева) является выходным портом. Левый контакт — отрицательный, а правый — положительный (обозначены знаками плюса и минуса) (Рис. H2).
3. Используйте подходящие провода для подключения осветительного оборудования к приводному блоку. Провода должны иметь клеммные наконечники, которые подсоединяются с помощью винтов M5 (Рис. H3).
4. Установите на место переднюю крышку (Рис. H4).

ПРИМЕЧАНИЕ. Для защиты приводного блока необходимо использовать предохранитель не более 12 А. Гарантия не распространяется на любые повреждения изделия, вызванные отсутствием предохранителя.

ПОДКЛЮЧЕНИЕ К ВНЕШНЕМУ ПРЕДОХРАНИТЕЛЬНОМУ ВЫКЛЮЧАТЕЛЮ



К приводному блоку можно подключить внешний защитный выключатель, позволяющий своевременно остановить приводной блок в случае возникновения аварийных ситуаций.

1. Выкрутите шесть винтов из передней крышки и снимите ее (Рис. I1).

2. Внутри блока зарезервированы два внешних порта, используйте пару справа. Ослабьте винты и снимите провод-перемычку (Рис. I2).
3. Подключите выключатель к приводному блоку с помощью подходящих проводов. Провода должны иметь клеммные наконечники, которые подсоединяются с помощью винтов M5 (Рис. I3).
4. Установите на место переднюю крышку (Рис. I4).

ПРИМЕЧАНИЕ. Остановка приводного блока с помощью внешнего предохранительного выключателя может остановить только двигатель приводного блока, но не может полностью выключить устройство. Это означает, что весь блок все еще находится во включенном состоянии. Чтобы перезапустить приводной блок, возобновите электрическое подключение с помощью внешнего предохранительного выключателя.

СВЕТОДИОДНЫЙ ЭКРАН

ПОКАЗАНИЯ	ЗНАЧЕНИЕ	ДЕЙСТВИЕ
	Защита ротора от блокировки	<ul style="list-style-type: none"> Отключите питание и убедитесь, что присоединенное к блоку устройство не засорено. После очистки перезапустите приводной блок. Если защита ротора от блокировки все еще отображается, обратитесь в сервисный центр EGO для ремонта.
	Низкое напряжение	<ul style="list-style-type: none"> Зарядите аккумулятор.

 	<p>Перегрев аккумулятора</p>	<ul style="list-style-type: none"> Проверьте и очистите воздушный фильтр. Дайте аккумулятору остыть, пока желтый светодиод не перестанет мигать, или попробуйте аккумуляторы большей емкости.
 	<p>Перегрев приводного блока</p>	<ul style="list-style-type: none"> Подождите, пока приводной блок остынет. Уменьшите рабочую нагрузку.
	<p>Защита основной платы от перегрузки по току</p>	<ul style="list-style-type: none"> Попробуйте снизить рабочую нагрузку.
	<p>Неисправность подключения</p>	<ul style="list-style-type: none"> Обратитесь в сервисный центр EGO для ремонта.

ОБСЛУЖИВАНИЕ

⚠ ПРЕДУПРЕЖДЕНИЕ. Во избежание травм извлеките аккумулятор перед обслуживанием или чисткой устройства.

⚠ ПРЕДУПРЕЖДЕНИЕ. При ремонте используйте только идентичные запасные части. Использование других запасных частей может привести к возникновению опасной ситуации или повреждению устройства. Для обеспечения безопасности и надежности устройства его ремонт должен выполнять квалифицированный специалист.

ОЧИСТКА ПРИВОДНОГО БЛОКА

- Очистите устройство с помощью влажной ткани и мягкого моющего средства. Никогда не допускайте попадания какой-либо жидкости внутрь приводного блока и никогда не погружайте никакие части устройства в жидкость.
- Не используйте активные моющие средства для очистки пластикового корпуса. Они могут быть повреждены определенными ароматическими маслами, такими как хвойное и лимонное масла, а также растворителями, например керосином. Кроме того, наличие влаги может привести к поражению электрическим током. Протрите влажное место мягкой сухой тканью.

ОБСЛУЖИВАНИЕ ВОЗДУХООЧИСТИТЕЛЯ

Извлечение

- Поверните ручку фиксатора против часовой стрелки в соответствии с изображением на ней и извлеките воздухоочиститель (Рис. J1).

J1-1	Ручка фиксатора
------	-----------------

- Рекомендуется использовать пневматический пистолет для очистки сетчатого фильтра по мере необходимости или сразу заменить его на новый (Рис. J2).

J2-1	Крышка воздухоочистителя	J2-2	Сетчатый фильтр
------	--------------------------	------	-----------------

Установка

- Поместите сетчатый фильтр в крышку воздухоочистителя. Убедитесь, что все стороны уложены ровно и не выпирают (Рис. J3).
- Правильно установите воздухоочиститель на приводной блок.
- Нажмите и поверните ручку фиксатора по часовой стрелке, чтобы зафиксировать воздухоочиститель на месте (Рис. J4).

ТРАНСПОРТИРОВКА И ХРАНЕНИЕ

ТРАНСПОРТИРОВКА ПРИВОДНОГО БЛОКА

⚠ ВНИМАНИЕ! Во избежание повреждения приводного блока ни в коем случае не допускайте ударов по валу отбора мощности и не прикладываете к нему усилий (Рис. K).

ХРАНЕНИЕ ПРИВОДНОГО БЛОКА

- Извлеките аккумулятор из приводного блока.
- Прежде чем убрать устройство на хранение, тщательно очистите его.
- Храните устройство в сухом хорошо проветриваемом месте, недоступном для детей. Не храните устройство рядом с удобрениями, бензином или другими химическими веществами.

ОХРАНА ОКРУЖАЮЩЕЙ СРЕДЫ



Не выбрасывайте электроприборы, зарядные устройства и аккумуляторные батареи вместе с бытовыми отходами! Отправьте данное изделие на переработку в специализированное предприятие или сдайте его для раздельного сбора. Электроинструменты должны быть возвращены на перерабатывающее предприятие, не наносящее ущерба окружающей среде.

RU

УСТРАНЕНИЕ НЕПОЛАДОК

ПРОБЛЕМА	ПРИЧИНА	РЕШЕНИЕ
Приводной блок не запускается.	<ul style="list-style-type: none"> Для PU2710/PU2710RC выключатель питания не переключается в положение «ПУСК». Для PU2710E подключенный выключатель включается перед поворотом ключа в положение «ВКЛ». Аккумулятор не установлен в отсек. Другие неустоановленные причины. 	<ul style="list-style-type: none"> Поверните переключатель в положение «ПУСК». Всегда сначала поворачивайте ключ в положение «ВКЛ», затем включайте подключенный выключатель. Вставьте аккумулятор в отсек до щелчка. Обратитесь для ремонта к квалифицированному специалисту.
Приводной блок перестал работать.	<ul style="list-style-type: none"> Аккумулятор разряжен. Приводной блок перегружен. Аккумулятор перегрелся. Приводной блок перегрелся. Другие неустоановленные причины. 	<ul style="list-style-type: none"> Зарядите аккумулятор. Уменьшите рабочую нагрузку. Уменьшите рабочую нагрузку или установите более мощный аккумулятор. Избегайте использования аккумуляторов в условиях высокой температуры. Проверьте и очистите воздушный фильтр. Уменьшите нагрузку и избегайте использования приводного блока в условиях высокой температуры. Обратитесь для ремонта к квалифицированному специалисту.
Скорость не меняется при повороте рычага плавной регулировки.	<ul style="list-style-type: none"> Если вокруг слишком шумно, трудно распознать изменения. Неправильные действия при эксплуатации. 	<ul style="list-style-type: none"> Остановите приводной блок и снова отрегулируйте скорость. При необходимости измерьте разницу в скорости для дальнейшей проверки. Перезапустите приводной блок согласно инструкциям в разделе ЗАПУСК ПРИВОДНОГО БЛОКА.
Скорость автоматически снижается при длительной тяжелой нагрузке и поддерживается на низком уровне, что можно определить по звуку работы.	<ul style="list-style-type: none"> Приводной блок оснащен функцией автоматической регулировки для защиты от перегрузки. 	<ul style="list-style-type: none"> Уменьшите нагрузку в соответствии с фактической ситуацией, после чего приводной блок снова сможет работать на полной скорости.

RU

ГАРАНТИЯ

ГАРАНТИЙНАЯ ПОЛИТИКА EGO

Посетите веб-сайт poweredbyego.com, чтобы ознакомиться со всеми условиями и сроками гарантийной политики EGO.

INSTRUKCJE DOTYCZĄCE BEZPIECZEŃSTWA

⚠ OSTRZEŻENIE: Prosimy przeczytać wszystkie ostrzeżenia i instrukcje oraz przestudiować specyfikację i ilustracje dostarczone wraz z narzędziem. Niestosowanie się do wszystkich podanych niżej instrukcji może doprowadzić do porażenia prądem, pożaru i/lub poważnych obrażeń.

WSZYSTKIE OSTRZEŻENIA I INSTRUKCJE NALEŻY ZACHOWAĆ NA PRZYSZŁOŚĆ.

- Należy dbać o czystość i dobre oświetlenie w miejscu pracy. Bałagan i złe oświetlenie sprzyjają wypadkom.
- Modułu napędowego nie należy używać w miejscach zagrożonych wybuchem, np. w obecności łatwopalnych cieczy, gazów lub pyłu.
- Chwila nieuwagi może spowodować utratę kontroli nad urządzeniem.
- Gniazdko musi pasować do wtyczki (w stosownych przypadkach). Nigdy w jakikolwiek sposób nie wolno przerabiać gniazdka. Oryginalne wtyczki i pasujące do nich gniazdko zmniejszają ryzyko porażenia prądem.
- Podczas używania modułu napędowego należy zachowywać czujność, patrzeć, co się robi i kierować się zdrowym rozsądkiem. Modułu napędowego nie należy używać, gdy użytkownik jest zmęczony, albo pod wpływem narkotyków, alkoholu lub leków. Chwila nieuwagi w czasie posługiwania się modulem napędowym może spowodować poważne obrażenia.
- Należy używać środków ochrony osobistej. Stosowanie w odpowiednich warunkach sprzętu ochronnego takiego jak np. maska przeciwpyłowa, obuwie ochronne z podeszwami antypoślizgowymi, kask lub ochronniki słuchu zmniejszy ewentualne obrażenia.
- Należy nosić odpowiednią odzież. Nie powinno się nosić luźnych ubrań ani biżuterii. Włosy i odzież należy trzymać w bezpiecznej odległości od poruszających się części. Luźne ubrania, biżuteria lub długie włosy mogą zaczepić się o poruszające się części.
- Nie wolno dopuścić do tego, aby poczucie znajomości narzędzia wynikające z jego częstego używania doprowadziło do lekceważenia i ignorowania zasad bezpieczeństwa. Jedno lekkomyślne działanie może w ułamku sekundy doprowadzić do ciężkich urazów.

- Serwisowanie modułu napędowego należy powierzać wykwalifikowanemu serwisantowi, a do naprawy używać wyłącznie części zamiennych identycznych z oryginalnymi. Zapewni to bezpieczeństwo eksploatacji modułu napędowego.
- Podczas włączania modułu napędowego bez całkowitego zamontowania go do narzędzia należy zawsze zachowywać szczególną ostrożność.
- Nie należy używać akumulatorów lub narzędzi, które są uszkodzone lub zostały poddane przeróbkom. Uszkodzone lub zmodyfikowane akumulatory mogą zachowywać się w sposób nieprzewidywalny, co może doprowadzić do pożaru lub wybuchu lub stwarzać ryzyko urazów.
- Nie należy narażać akumulatora lub narzędzia na kontakt z ogniem lub zbyt wysokimi temperaturami. Ogień lub temperatury przekraczające 130°C mogą doprowadzić do wybuchu.
- Należy przestrzegać wszystkich instrukcji ładowania. Nie należy ładować akumulatora lub narzędzia poza przedziałem temperatur podanym w instrukcji. Ładowanie w sposób nieprawidłowy lub w temperaturze wykraczającej poza określony zakres może doprowadzić do uszkodzenia akumulatora i zwiększa ryzyko pożaru.
- Uszkodzonych akumulatorów nie należy nigdy naprawiać. Jakiegokolwiek czynności serwisowej przy akumulatorach powinny być wykonywane wyłącznie przez producenta lub pracowników autoryzowanego serwisu.
- Informacje na temat środków ostrożności dotyczących akumulatorów podane są w instrukcji do akumulatora.

SYMBOLE BEZPIECZEŃSTWA

⚠ OSTRZEŻENIE: Praca elektronarzędziami może spowodować wyrzucenie ciał obcych w oczy użytkownika, co może doprowadzić do poważnych urazów oczu. Przed rozpoczęciem pracy elektronarzędziem należy zawsze założyć gogle ochronne lub okulary z osłonami bocznymi, a w stosownych przypadkach także pełną osłonę na twarz. Zalecamy nakładanie na zwykłe okulary maski zabezpieczającej o szerokim polu widzenia lub stosowanie standardowych okularów zabezpieczających z osłonami bocznymi.



Przeczytaj ze zrozumieniem instrukcję użytkownika



Zużytych wyrobów elektrycznych nie należy wyrzucać razem ze zwykłymi odpadami domowymi. Należy je oddać do autoryzowanego punktu recyklingu.

IPX5 Stopień ochrony przed penetracją



Prąd stały

V Napięcie

SPECYFIKACJA

Napięcie	56 V ---
Długość x Szerokość x Wysokość	PU2710/PU2710E: 342 mm x 306 mm x 344 mm PU2710RC: 342 mm x 290 mm x 344 mm
Ciężar (bez akumulatora)	PU2710/PU2710E: 11.4 kg PU2710RC: 11.5 kg
IP	IPX5
Złącze do podłączania akumulatora	Dwa porty
Regulacja prędkości	Tryby Eco/Turbo (beztępnowa regulacja 1200-3600 obr./min)
Kontrolka awarii LED	Tak
Układ chłodzenia	Chłodzenie powietrzem
Filtr powietrza	Łatwo wymienny wkład z gąbki
Moc wyjściowa netto	3,47 kW przy 3450 obr./min
Maks. moment obrotowy netto	9,2 N.m przy 3450 obr./ min
Hamulec elektroniczny	Tak
Wał WOM	Poziomo
Obroty wału WOM (od strony wału WOM)	W lewo (przeciwie do kierunku ruchu wskazówek zegara)
Wymiary wału WOM	Patrz Rys. A2
Zalecana temperatura użytkowania	-15°C – 40°C

Zalecana temperatura przechowywania	0°C – 50°C
-------------------------------------	------------

OPIS

ZAPOZNANIE SIĘ Z MODUŁEM NAPĘDOWYM (Rys. A1)

1. Pokrywa komory akumulatorów
2. Mechanizm odłączania
3. Blokada akumulatora
4. Gniazdo odblokowywania akumulatora
5. Pokrętko blokady
6. Filtr powietrza
7. Przełącznik zasilania*
8. Ekran LED*
 - 8-a. Całkowita liczba godzin pracy (H)
 - 8-b. Ikona Bluetooth
 - 8-c. Ikona prędkości obrotowej
 - 8-d. Wskaźnik poziomu naładowania akumulatora
 - 8-e. Wskaźnik usterki
 - 8-f. Ikona blokady
 - 8-g. Ikona zbyt wysokiej temperatury
9. Dźwignia beztępnowej regulacji*
10. Otwór/gniazdo na kabel
11. Podstawa
12. Wał WOM
13. Otwór na tasiemkę do kluczyk
14. Bolec do odblokowywania akumulatora
15. Kluczyk (x2)

***UWAGA:** Skrzynka panelu sterowania z przełącznikiem zasilania, ekranem LED i dźwignią beztępnową jest zintegrowana z modułem PU2710/PU2710E, ale jest oddzielona od modułu PU2710RC.

PL

LISTA ELEMENTÓW W OPAKOWANIU (RYS. A1)

MONTAŻ

■ PU2710

Nie jest wymagany żaden montaż.

■ PU2710RC

Podłączyć skrzynkę panelu sterowania do modułu zasilającego (rys. B1 i B2)

B1-1	Gniazdo kabla	B1-2	Wtyczka kabla
B2-1	Pokrywa końcowa	B2-2	Śruba (x4)

■ PU2710E

Moduł należy podłączyć do przełącznika lub innego równoważnego elementu (do dokupienia osobno).

1. Odkręcić sześć śrub z pokrywy przedniej i zdjąć pokrywę przednią (Rys. C1).
2. Wewnątrz głowicy napędowej zarezerwowane są dwa zewnętrzne porty, poluzować nakrętki (Rys. C2).
3. Wyjąć blok i użyć odpowiednich przewodów, aby podłączyć moduł napędowy i włącznik lub inny równoważny element. Na końcu połączeniowym powinna znajdować się końcówka zaciskowa, którą można podłączyć nakrętkami (Rys. C3).
4. Nie ma potrzeby wymiany bloku. Na koniec należy założyć z powrotem pokrywę przednią (Rys. C4).

C1-1	Śruba (x6)	C1-2	Nakrętka i podkładka (x2)
C2-1	Blok		

UŻYTKOWANIE

KONTROLA PRZED UŻYCIEM

Filtr powietrza (Rys. D)

Należy sprawdzić wkłady filtra powietrza i upewnić się, że są czyste i w dobrym stanie.

W razie potrzeby wkłady należy wyczyścić lub wymienić zgodnie z instrukcjami podanymi w części „SERWISOWANIE FILTRA POWIETRZA”.

⚠ OSTROŻNIE: Nigdy nie wolno włączać modułu napędowego bez filtra powietrza. Spowodowałoby to szybkie wyeksploatowanie się modułu.

ZAKŁADANIE/ODŁĄCZANIE AKUMULATORA

Należy używać wyłącznie zalecanych akumulatorów i ładowarek marki EGO (Rys. A3). Aby uzyskać optymalną wydajność, zaleca się zakładać: 2 akumulatory 12 Ah, 2 akumulatory 10Ah lub co najmniej 2 akumulatory 7,5 Ah.

Całkowicie naładować przed pierwszym użyciem

1. **Aby założyć akumulator**, należy dopasować żeberka akumulatora do szczelin prowadzących w module napędowym i docisnąć akumulator aż da się słyszeć kliknięcie (Rys. E1).
2. **Aby odłączyć akumulator**, wystarczy włożyć w gniazdo bolec do odblokowywania akumulatora i popchnąć go w prawo, po czym akumulator wysunie się ze swojej komory (Rys. E2).

E2-1	Gniazdo odblokowywania akumulatora
------	------------------------------------

UWAGA: Akumulator można odłączyć tylko za pomocą bolca do odblokowywania akumulatora.

UWAGA: Bolca do odblokowywania akumulatora nie należy zostawiać w gnieździe na wypadek, gdyby trzeba było nieoczekiwanie wyjąć akumulator.

WŁĄCZANIE MODUŁU NAPĘDOWEGO (RYS. F)

■ PU2710/PU2710RC

1. Włożyć kluczyk do gniazda Przełącznik zasilania i przekręcić go o 45° w prawo (zgodnie z kierunkiem ruchu wskazówek zegara) w pozycję „ON”; moduł napędowy będzie gotowy do pracy, włączą się wyświetlacz LED i zielona kontrolka akumulatora.
2. Ponownie przekręcić kluczyk o 45° w prawo (zgodnie z kierunkiem ruchu wskazówek zegara) w pozycję „STRAT”; moduł napędowy zacznie pracować.

■ PU2710E

INFORMACJA: Aby uruchomić moduł napędowy, należy zawsze wykonać kroki podane niżej. Moduł napędowy nie włączy się, jeśli podłączony przełącznik zostanie włączony przed przekręceniem kluczyka w pozycję „ON” („WL.”).

1. Włożyć kluczyk do gniazda przełącznika zasilania i przekręcić go w pozycję „ON” („WL.”). Moduł napędowy będzie gotowy do pracy, gdy włączą się ekran LED i zielona kontrolka akumulatora.
2. Przełączyć podłączony przełącznik (do dokupienia osobno), moduł napędowy zacznie pracować.

UWAGA: Gdy moduł napędowy jest gotowy do pracy, kluczyka nie da się wyjąć z gniazda przełącznika.

ZATRZYMYWANIE MODUŁU NAPĘDOWEGO

■ PU2710/PU2710RC

Aby tymczasowo zatrzymać moduł napędowy, wystarczy po prostu przekręcić kluczyk w pozycję „ON”.

Aby całkowicie zatrzymać moduł napędowy, należy przekręcić kluczyk w pozycję „OFF”.

■ **PU2710E**

Aby tymczasowo wyłączyć moduł napędowy, wystarczy wyłączyć podłączony przełącznik (do dokupienia osobno).

Aby całkowicie zatrzymać moduł napędowy, należy przekręcić kluczyk w pozycję „OFF” („WYŁ.”).

UWAGA: Aby zapobiec nieoczekiwanemu uruchomieniu, kluczyk należy przekręcić w pozycję „OFF” (aby całkowicie wyłączyć moduł napędowy).

REGULACJA PRĘDKOŚCI (RYS. G)

Obrócić dźwignię bezstopniowej regulacji i użyć szczeliny wskazującej na dźwigni, aby pomóc zlokalizować i wybrać prędkość między ustawieniami „ECO” i „TURBO”.

UWAGA: Prędkość można również wstępnie ustawić przed włączeniem.

G-1	Szczelina wskazująca
-----	----------------------

ZASILANIE SPRZĘTU OŚWIETLENIOWEGO

Moduł napędowy może zasilac zewnętrzne urządzenia oświetleniowe, a napięcie jest zgodne z napięciem znamionowym głowicy zasilającej.

1. Odkręcić sześć śrub z pokrywy przedniej i zdjąć pokrywę przednią (Rys. H1).
2. Wewnątrz modułu napędowego zarezerwowane są dwie pary portów zewnętrznych, przy czym jedna para po lewej stronie jest portem wyjściowym, po lewej jest biegun ujemny, a po prawej dodatni (ze znakiem plus i minus na interfejsie) (Rys. H2).
3. Wyjąć blok i użyć odpowiednich przewodów, aby podłączyć moduł napędowy i sprzęt oświetleniowy. Na końcu połączeniowym powinna znajdować się końcówka zaciskowa, którą można podłączyć śrubami M5 (Rys. H3).
4. Nie ma potrzeby wymiany bloku. Na końcu należy założyć z powrotem pokrywę przednią (Rys. H4).

UWAGA: W celu ochrony modułu napędowego należy podłączyć bezpiecznik o mocy nie większej niż 12 A. Gwarancja nie obejmuje jakichkolwiek uszkodzeń produktu spowodowanych niepodłączeniem bezpiecznika.

PODŁĄCZENIE DO ZEWNĘTRZNEGO WYŁĄCZNIKA BEZPIECZEŃSTWA

Do modułu napędowego można podłączyć zewnętrzny wyłącznik bezpieczeństwa, umożliwiając operatorowi szybkie zatrzymanie modułu napędowego w sytuacji awaryjnej.






1. Odkręcić sześć śrub z pokrywy przedniej i zdjąć pokrywę przednią (Rys. I1).
2. Wewnątrz głowicy zasilającej znajdują się dwa zewnętrzne porty, należy użyć pary znajdujące się po prawej stronie. Poluzować śruby i wyjąć przewód (Rys. I2).
3. Wyjąć blok i podłączyć moduł napędowy za pomocą odpowiednich przewodów. Na końcu połączeniowym powinna znajdować się końcówka zaciskowa, którą można podłączyć śrubami M5 (Rys. I3).
4. Nie ma potrzeby wymiany bloku. Na końcu należy założyć z powrotem pokrywę przednią (Rys. I4).

UWAGA: Zatrzymanie modułu napędowego za pomocą zewnętrznego wyłącznika bezpieczeństwa powoduje jedynie zatrzymanie silnika modułu napędowego i nie powoduje całkowitego wyłączenia urządzenia; oznacza to, że moduł jako całość jest nadal podłączony do zasilania. Aby ponownie uruchomić moduł napędowy, należy wznowić podłączenie elektryczne zewnętrznego wyłącznika bezpieczeństwa.

WYŚWIETLACZ LED

WYŚWIETLACZ	ZNACZENIE	DZIAŁANIE
	Zabezpieczenie/blokada wirnika	<ul style="list-style-type: none"> ■ Odciąć zasilanie i sprawdzić, czy nic nie blokuje ładunku. Po czyszczeniu ponownie włączyć moduł napędowy. Jeśli zabezpieczenie/blokada wirnika wyświetla się nadal, należy skontaktować się z centrum serwisowym EGO w celu naprawy.

PL

	<p>Niskie napięcie</p>	<ul style="list-style-type: none"> ▪ Naładować akumulator(y).
	<p>Zbyt wysoka temperatura akumulatora</p>	<ul style="list-style-type: none"> ▪ Sprawdzić i przeczyścić filtr powietrza. ▪ Pozostawić akumulator do ostygnięcia, aż żółta dioda LED przestanie migać lub spróbować użyć akumulatorów o większej pojemności.
	<p>Zbyt wysoka temperatura modułu napędowego</p>	<ul style="list-style-type: none"> ▪ Począkać, aż moduł napędowy ostygnie. ▪ Zmniejszyć obciążenie podczas pracy.
	<p>Zabezpieczenie nadprądowe płyty głównej</p>	<ul style="list-style-type: none"> ▪ Spróbować zmniejszyć obciążenie podczas pracy
	<p>Problem z łącznością</p>	<ul style="list-style-type: none"> ▪ Skontaktować się z punktem serwisowym EGO w celu dokonania naprawy.

KONSERWACJA

⚠ OSTRZEŻENIE: Aby zapobiec ewentualnym urazom, przed serwisowaniem lub czyszczeniem modułu należy wyjąć akumulatory.

⚠ OSTRZEŻENIE: Do serwisowania należy używać wyłącznie części zamiennych identycznych z oryginalnymi. Używanie jakichkolwiek innych części stwarza ryzyko i może spowodować usterkę produktu. Aby zagwarantować bezpieczeństwo i niezawodność, wszystkie naprawy powinny być wykonywane przez wykwalifikowanych techników serwisu.

CZYSZCZENIE MODUŁU NAPĘDOWEGO

- Moduł napędowy należy czyścić wilgotną ściereczką i łagodnym detergentem. Do środka modułu napędowego nie mogą się dostać żadne płyny, nie wolno też zanurzać części modułu w jakiegokolwiek cieczy.
- Do czyszczenia części plastikowych nie należy używać jakichkolwiek silnych detergentów. Mogą one zostać uszkodzone przez niektóre olejki aromatyczne, takie jak olejek sosnowy i cytrynowy oraz przez rozpuszczalniki takie jak nafta. Także wilgoć może spowodować porażenie prądem. Wszelką wilgoć należy wycierać miękką suchą ściereczką.

SERWISOWANIE FILTRA POWIETRZA

Wymowanie

1. Przekręcić pokrętkę blokady w lewo (przeciwnie do kierunku ruchu wskazówek zegara), zgodnie ze znajdującą się na nim ikoną i bezpośrednio wyjąć filtr powietrza (Rys. J1).

J1-1	Pokrętkę blokady
------	------------------

2. Do wyczyszczenia wkładu z gąbki zaleca się użyć pistoletu do przedmuchiwania lub, jeśli jest to konieczne, wkład można bezpośrednio wymienić na nowy (Rys. J2).

J2-1	Pokrywa filtra powietrza	J2-2	Wkład z gąbki
------	--------------------------	------	---------------

Instalowanie

1. Założyć wkład z gąbki do pokrywy filtra powietrza. Upewnić się, że wszystkie boki są ułożone na płasko bez żadnych wyrzuceń (Rys. J3).
2. Prawidłowo założyć filtr powietrza do modułu napędowego.
3. Wcisnąć i przekręcić w prawo (zgodnie z kierunkiem ruchu wskazówek zegara) pokrętkę blokady, aby zablokować filtr powietrza na miejscu (Rys. J4).

TRANSPORT/ PRZECHOWYWANIE

TRANSPORT MODUŁU NAPĘDOWEGO

⚠ OSTROŻNIE: W razie uszkodzenia modułu napędowego nigdy nie wolno dopuszczać do tego, aby cokolwiek wpływało na pracę wału WOM. Nie należy też pozwalać, aby na WOM oddziaływały jakieś siły (Rys. K).

PRZECHOWYWANIE MODUŁU NAPĘDOWEGO

- Wyjąć akumulatory z modułu napędowego.
- Przed schowaniem modułu napędowego należy dokładnie wyczyścić.
- Moduł napędowy należy przechowywać w suchym, dobrze wentylowanym miejscu niedostępnym dla dzieci. Modułu napędowego nie należy używać na nawozach lub w ich pobliżu; to samo dotyczy podłoży zanieczyszczonych benzyną i substancjami chemicznymi.

OCHRONA ŚRODOWISKA



Urządzeń elektrycznych, zużytych akumulatorów i ładowarki nie należy wyrzucać do zwykłych zmieszanych śmieci domowych! Produkt należy oddać do zbiórki selektywnej w autoryzowanym punkcie recyklingu. Elektronarzędzia należy oddawać do przyjaznego dla środowiska zakładu recyklingu.

PL

ROZWIĄZYWANIE PROBLEMÓW

PROBLEM	PRZYCZYNA	ROZWIĄZANIE
Moduł napędowy nie włącza się.	<ul style="list-style-type: none"> W przypadku modelu PU2710/PU2710RC przełącznik zasilania nie jest przestawiany w pozycję „START”. W modelu PU2710E podłączony przełącznik jest włączany przed przekreśleniem kluczyka w pozycję „ON” („WŁ.”). W komorze akumulatorów nie kontaktuje/-ą akumulator(y). Inne niezidentyfikowane przyczyny. 	<ul style="list-style-type: none"> Przekreślić przełącznik w pozycję „START”. Należy zawsze najpierw przekreślić kluczyk w pozycję „ON” („WŁ.”), a następnie przełączyć podłączony przełącznik. Założyć akumulator(y) w komorze akumulatorów i docisnąć, aż da się słyszeć kliknięcie. Skontaktować się z wykwalifikowanym technikiem serwisu w celu naprawy.
Moduł napędowy przestaje pracować.	<ul style="list-style-type: none"> Akumulator(y) jest/są rozładowany/-e. Przeciążenie modułu napędowego. Akumulator(y) się przegrzał(y). Przegrzanie modułu napędowego. Inne niezidentyfikowane przyczyny. 	<ul style="list-style-type: none"> Naładować akumulator(y). Zmniejszyć obciążenie podczas pracy. Zmniejszyć obciążenie podczas pracy lub wymienić akumulatory na akumulatory o większej pojemności. Należy unikać używania akumulatora/-ów w wysokich temperaturach. Sprawdzić i przeczyszczyć filtr powietrza. Zmniejszyć obciążenie i unikać używania modułu napędowego w wysokich temperaturach. Skontaktować się z wykwalifikowanym technikiem serwisu w celu naprawy.
Prędkość nie zmienia się podczas obracania dźwigni regulacji bezstopniowej.	<ul style="list-style-type: none"> Jeśli otoczenie jest zbyt hałaśliwe, trudno jest rozpoznać zmiany. Niezidentyfikowane usterki. 	<ul style="list-style-type: none"> Zatrzymać moduł napędowy i ponownie wyreguluj prędkość. Zmierzyć różnicę prędkości, aby w razie potrzeby przeprowadzić dalsze kontrole. Skontaktować się z punktem obsługi klienta EGO w celu dokonania naprawy.
Prędkość automatycznie spada, gdy narzędzie jest przez cały czas mocno obciążone i pracuje na niskich obrotach, co da się stwierdzić na podstawie dźwięku wydawanego przez narzędzie podczas pracy.	<ul style="list-style-type: none"> Moduł napędowy posiada funkcję automatycznej regulacji lub zabezpieczenia nad głową. 	<ul style="list-style-type: none"> Zmniejszyć obciążenie odpowiednio do faktycznej sytuacji, moduł napędowy wróci do pracy z pełną prędkością.

PL

GWARANCJA

POLITYKA GWARANCYJNA EGO

W celu zapoznania się z wszystkimi warunkami polityki gwarancyjnej EGO prosimy wejść na stronę poweredbyego.com.

BEZPEČNOSTNÍ POKYNY

VAROVÁNÍ: Přečtěte si všechny bezpečnostní výstrahy, pokyny, ilustrace a technické údaje dodané s tímto elektrickým nářadím. Nedodržení všech níže uvedených pokynů může vést k úrazu elektrickým proudem, požáru a/nebo vážnému úrazu.

VŠECHNA VAROVÁNÍ A POKYNY USCHOVEJTE PRO BUDOUCÍ POUŽITÍ.

- Udržujte pracovní prostor v čistotě a dobře osvětlený. Nepořádek nebo neosvětlené pracovní oblasti bývají příčinou úrazů.
- S pohonnou jednotkou nepracujte ve výbušném prostředí, například v přítomnosti hořlavých kapalin, plynů nebo prachu.
- Nesoustředěnost může způsobit ztrátu kontroly.
- Zásuvku (je-li k dispozici) připojte ke správné zástrčce. V žádném případě zástrčku ani zásuvku nikdy neupravujte. Neupravené zástrčky a shodné zásuvky snižují riziko úrazu elektrickým proudem.
- Při práci s pohonnou jednotkou buďte stále pozorní, sledujte, co děláte a používejte zdravý rozum. Pohonnou jednotku nepoužívejte, jste-li unaveni nebo pod vlivem drog, alkoholu nebo léků. Jediná chvilka nepozornosti při práci s pohonnou jednotkou může mít za následek vážný úraz.
- Používejte osobní ochranné pracovní prostředky. Ochranné pomůcky, jako např. respirátor, protiskluzová bezpečnostní obuv, pevná přilba nebo chrániče sluchu, používané ve vhodném prostředí sniží riziko úrazu.
- Používejte vhodný oděv. Nenoste volný oděv ani šperky. Udržujte vaše vlasy a oblečení mimo dosah pohybujících se částí. Volný oděv, šperky nebo dlouhé vlasy se mohou zachytit do pohyblivých dílů.
- Nedovoľte, abyste se po získání zkušeností častým používáním nástrojů stali neobezřetnými a ignorovali zásady bezpečnosti. Nedbalá činnost může způsobit vážné zranění za zlomek sekundy.



Přečtěte si návod k obsluze a porozumějte mu.

IPX5 Stupeň ochrany před vniknutím

V Napětí

- Svěřte opravu vaší pohonné jednotky kvalifikované osobě používající pouze shodné náhradní díly. Tím zajistíte její bezpečnost.
- Při spouštění neúplně smontované pohonné jednotky buďte vždy mimořádně opatrní.
- Nepoužívejte akumulátor nebo nástroj, který je poškozen nebo upraven. Poškozené nebo upravené akumulátory se mohou chovat nepředvídatelně, což může vést k požáru, výbuchu nebo nebezpečí zranění.
- Nevystavujte akumulátor ani nářadí ohni nebo příliš vysoké teplotě. Při vystavení ohni nebo teplotě nad 130 °C může dojít k výbuchu.
- Dodržujte všechny pokyny pro nabíjení a nenabíjejte akumulátor nebo nářadí mimo rozsah teplot uvedených v pokynech. Nesprávné nabíjení nebo nabíjení při teplotách mimo stanovený rozsah může poškodit akumulátor a zvýšit riziko požáru.
- Nikdy neopravujte poškozené akumulátory. Servis akumulátorů může provádět pouze výrobce nebo autorizovaní poskytovatelé služeb.
- Viz pokyny v uživatelské příručce akumulátoru týkající se bezpečnostních opatření.

BEZPEČNOSTNÍ SYMBOLY

VAROVÁNÍ: Při použití elektrického nářadí může dojít k vymrštění cizích těles do očí, což může způsobit jejich závažné poškození. Před použitím elektrického nářadí si vždy nasadte ochranné brýle, ochranné brýle s bočními kryty nebo v případě potřeby obličejový štít. Na brýle nebo standardní ochranné brýle s bočními kryty doporučujeme použít ochrannou masku.



Odpadní elektrické výrobky se nesmí likvidovat s domovním odpadem. Odevzdejte je do autorizovaného recyklačního střediska.



Stejnoseměrný proud

CZ

TECHNICKÉ PARAMETRY

Napětí	56 V $\overline{\text{---}}$
Délka x Šířka x Výška	PU2710/PU2710E: 342 mm x 306 mm x 344 mm PU2710RC: 342 mm x 290 mm x 344 mm
Hmotnost (bez akumulátoru)	PU2710/PU2710E: 11.4 kg PU2710RC: 11.5 kg
IP	IPX5
Port akumulátoru	Duální porty
Ovládání rychlosti	Režimy Eco/Turbo (Plynule nastavitelné otáčky 1200-3600 ot./min.)
LED kontrolka poruchy	Ano
Chladicí systém	Chlazení vzduchem
Čistička vzduchu	Snadno vyměnitelná pěnová síťovina
Čistý výkon	3,47 kW @ 3450 ot./min
Max. čistý točivý moment	9,2 Nm @ 3450 ot./min
Elektronická brzda	Ano
Vývodový hřídel	Vodorovná
Otáčení vývodového hřídele (ze strany vývodového hřídele)	Protí směru hodinových ručiček
Rozměry vývodového hřídele	Viz obr. A2
Doporučená provozní teplota	-15°C – 40°C
Doporučená teplota skladování	0°C – 50°C

GZ

POPIS

SEZNAMTE SE S VAŠÍ POHONNOU JEDNOTKU (obr. A1)

1. Kryt příhrádky na akumulátory
2. Vyhazovací mechanismus
3. Skříňka na akumulátory
4. Slot pro uvolnění akumulátoru

5. Zajišťovací tlačítko
6. Čistička vzduchu
7. Hlavní vypínač*
8. LED obrazovka*
 - 8-a. Celkový počet hodin provozu (H)
 - 8-b. Znak Bluetooth
 - 8-c. Značka rychlosti otáčení
 - 8-d. Značka úrovně akumulátoru
 - 8-e. Značka poruchy
 - 8-f. Značka zablokování
 - 8-g. Značka nadměrné teploty
9. Páčka s plynulou regulací*
10. Otvor pro kabeláž/blok
11. Základna
12. Vývodový hřídel
13. Závitový otvor pro klíč
14. Jazyček pro uvolnění akumulátoru
15. Klíč (x2)

***POZNÁMKA:** Skříňka ovládacího panelu s vypínačem, LED displejem a plynule nastavitelnou pákou je integrována do jednotky PU2710/PU2710E, ale je oddělena od jednotky PU2710RC.

OBSAH BALENÍ (OBR. A1)

MONTÁŽ

■ PU2710

Montáž není nutná.

■ PU2710RC

Připojte skříňku ovládacího panelu k napájecí jednotce (obr. B1 a B2).

B1-1	Zásuvka kabelu	B1-2	Zástrčka kabelu
B2-1	Koncový kryt	B2-2	Šroub (x4)

■ PU2710E

Připojte jednotku pomocí přepínače nebo jiného ekvivalentního zařízení (není součástí balení).

1. Vyšroubujte šest šroubů z předního krytu a sejměte přední kryt (obr. C1).
2. Uvnitř napájecí hlavy jsou vyhrazeny dva vnější porty, uvolněte matice (obr. C2).
3. Odstraňte blok, pomocí vhodných vodičů připojte napájecí jednotku a startovací spínač nebo jiný ekvivalent. Připojovací konec může být koncové očko, které lze připojit pomocí šroubů (obr. C3).
4. Blok není třeba vyměňovat a nakonec vyměňte přední kryt (obr. C4)."

C1-1	Šroub (x6)	C1-2	Matice a podložka (x2)
C2-1	Blok		

PROVOZ

KONTROLA PŘED POUŽITÍM

Čistička vzduchu (obr. D)

Zkontrolujte součásti čističky vzduchu, zda jsou čisté a v dobrém stavu.

V případě potřeby vyčistěte nebo vyměňte prvky podle pokynů v části „SERVIS ČISTIČKY VZDUCHU“.

▲ UPOZORNĚNÍ: Pohonnou jednotku nikdy nepoužívejte bez čističky vzduchu. Jinak dojde k rychlému opotřebení.

PŘIPOJENÍ/ODPOJENÍ AKUMULÁTORU

Používejte pouze doporučené akumulátory a nabíječky EGO (obr. A3). Pro optimální výkon se doporučuje připojit: 2 x 12 Ah, 2 x 10 Ah nebo min. 2 x 7,5 Ah akumulátory.

Před prvním použitím plně nabijte akumulátor.

1. **Pro připojení akumulátoru** zarovnejte žebrovaní akumulátoru s instalačními drážkami a zatlačte na akumulátor, dokud neuslyšíte „cvaknutí“ (Obr. E1).
2. **Chcete-li akumulátor vyjmout**, vložte jazýček pro uvolnění akumulátoru do slotu a zatlačte jej směrem k pravé straně; poté se akumulátor vysune z prostoru pro akumulátor (obr. E2).

E2-1	Slot pro uvolnění akumulátoru
------	-------------------------------

UPOZORNĚNÍ: Akumulátor lze vyjmout pouze pomocí jazýčku pro uvolnění akumulátoru.

POZNÁMKA: Nenechávejte jazýček pro uvolnění akumulátoru ve slotu, aby se akumulátor nečekané neuvolnil.

SPUŠTĚNÍ POHONNÉ JEDNOTKY (OBR. F)

■ PU2710/PU2710RC

1. Vložte klíč do Hlavního vypínače a otočte jej o 45° ve směru hodinových ručiček do polohy „ZAPNOUT“, napájecí jednotka bude připravena pracovat, jakmile se rozsvítí LED obrazovka a zelené světlo akumulátoru
2. Znovu otočte klíč o 45° ve směru hodinových ručiček do polohy „START“, pohonná jednotka začne pracovat.

■ PU2710E

POZNÁMKA: Při spouštění pohonné jednotky vždy postupujte podle níže uvedených pokynů. Napájecí jednotka nemohla nastartovat, pokud byl připojený spínač zapnut před otočením klíčku do polohy „ON“.

1. Vložte klíč do otvoru hlavního vypínače a otočte jej do polohy „ON“. Napájecí jednotka bude připravena k práci, protože se rozsvítí LED obrazovka a zelené světlo akumulátoru.
2. Zapněte připojený spínač (není součástí balení), napájecí jednotka začne pracovat.

POZNÁMKA: Klíč nelze vyjmout ze slotu spínače, když je napájecí jednotka připravena k provozu nebo v provozu.

ZASTAVENÍ POHONNÉ JEDNOTKY

■ PU2710/PU2710RC

Dočasné zastavení pohonné jednotky stačí otočit klíčkem do polohy „ZAPNOUT“.

Pro úplné zastavení pohonné jednotky otočte klíček do polohy „VYPNOUT“.

■ PU2710E

Chcete-li napájecí jednotku dočasně zastavit, stačí vypnout připojený vypínač (není součástí balení).

Chcete-li pohonnou jednotku zcela zastavit, otočte klíčkem do polohy „OFF“.

POZNÁMKA: Abyste předešli neočekávanému spuštění, otočte klíček do polohy „VYPNOUT“ a úplně vypněte pohonnou jednotku.

NASTAVENÍ RYCHLOSTI (OBR. G)

Otočte páčku s plynulou regulací a použijte indikační štěrbínu na páčce, která vám pomůže najít a zvolit rychlost mezi „ECO“ a „TURBO“.

POZNÁMKA: Rychlost lze také přednastavit před spuštěním.

G-1	Indikace slotu
-----	----------------

NAPÁJENÍ OSVĚTLOVACÍCH ZAŘÍZENÍ

Tato pohonná jednotka může napájet externí osvětlovací zařízení a napětí je v souladu se jmenovitým napětím napájecí hlavy.

1. Odstraňte šest šroubů z předního krytu a sejměte přední kryt (obr. H1).
2. Uvnitř pohonné jednotky jsou vyhrazeny dva páry externích portů, přičemž jeden pár vlevo je výstupní port a levý je záporný a pravý kladný (s kladným a záporným znaménkem na rozhraní) (obr. H2).

CZ

3. Odstraňte blok a pomocí vhodných vodičů připojte pohonnou jednotku a osvětlovací zařízení. Připojovací konec může být koncové očko, které lze připojit pomocí šroubů M5 (obr. H3).
4. Není třeba znovu namontovat blok a nakonec nasadte přední kryt (obr. H4).

POZNÁMKA: K ochraně napájecí jednotky musí být připojena pojistka ne větší než 12A. Na jakékoli poškození výrobku způsobené nepřipojením pojistky se nevztahuje záruka.

PŘIPOJENÍ K EXTERNÍMU BEZPEČNOSTNÍMU SPÍNAČI

K pohonné jednotce lze připojit externí bezpečnostní spínač, který obsluhuje umožňuje včasné zastavení pohonné jednotky v případě nouze.

1. Odstraňte šest šroubů z předního krytu a sejměte přední kryt (obr. I1).
2. Uvnitř napájecí hlavy jsou vyhrazeny dva externí porty, použijte dvojici vpravo. uvolněte šrouby a odstraňte drát (obr. I2).
3. Odstraňte blok a připojte napájecí jednotku vhodnými vodiči. Připojovací konec může být koncové očko, které lze připojit pomocí šroubů M5 (obr. I3).
4. Není třeba znovu namontovat blok a nakonec nasadte přední kryt (obr. I4).

POZNÁMKA: Zastavení pohonné jednotky pomocí externího bezpečnostního spínače může pouze zastavit motor pohonné jednotky a nemůže jednotku úplně vypnout; což znamená, že celá jednotka je stále v zapnutém stavu. Chcete-li napájecí jednotku restartovat, obnovte elektrické připojení externího bezpečnostního spínače.

LED DISPLEJ

DISPLEJ	VÝZNAM	ČINNOST
	ochrana uzamknutí rotoru	<ul style="list-style-type: none"> ▪ Vypněte napájení a zkontrolujte, zda kolem zátěže není nějaké zablokování. Po vyčištění restartujte pohonnou jednotku. Pokud se ochrana uzamknutí rotoru stále zobrazuje, kontaktujte servisní středisko EGO pro opravu.
	Nízké napětí	<ul style="list-style-type: none"> ▪ Dobijte akumulátory.
	Akumulátor je přehřátý	<ul style="list-style-type: none"> ▪ Zkontrolujte a vyčistěte čističku vzduchu. ▪ Nechte akumulátor vychladnout, dokud žlutá LED nepřestane blikat, nebo vyzkoušejte akumulátory s vyšší kapacitou.

	Přehřátí pohonné jednotky	<ul style="list-style-type: none"> Počkejte, až pohonná jednotka vychladne. Snižte pracovní zátěž.
	Nadproudová ochrana základní desky	<ul style="list-style-type: none"> Pokuste se snížit zátěž
	Komunikační chyba	<ul style="list-style-type: none"> S opravou kontaktujte servisní středisko společnosti EGO.

ÚDRŽBA

VAROVÁNÍ: Aby nedošlo ke zranění osob, vyjměte akumulátory před prováděním servisu a čištěním jednotky.

VAROVÁNÍ: Při opravách používejte pouze originální náhradní díly. Použití jiných dílů může představovat riziko nebo může způsobit poškození výrobku. Z důvodu zajištění bezpečnosti a spolehlivosti musí všechny opravy provádět kvalifikovaný servisní technik.

ČIŠTĚNÍ POHONNÉ JEDNOTKY

- Vyčistěte pohonnou jednotku vlhkým hadříkem s jemným čisticím prostředkem. Dbejte na to, aby do jednotky nepronikla žádná kapalina; žádný díl této pohonné jednotky nikdy neponořujte do kapaliny.
- Na plastový kryt nepoužívejte žádné silné čisticí prostředky. Mohou být poškozeny některými aromatickými oleji, jako např. borovicovým nebo citronovým, a rozpouštědly např. petrolejem. Vlhkost může rovněž způsobit riziko úrazu elektrickým proudem. Veškerou vlhkost setřete suchým měkkým hadrem.

SERVIS ČISTIČKY VZDUCHU

Vyjmutí

- Otáčejte pojistným knoflíkem proti směru hodinových ručiček podle vyobrazení ikony na něm a vyjměte přímo čističku vzduchu (obr. J1).

J1-1	Zajišťovací tlačítko
<ol style="list-style-type: none"> V případě potřeby se doporučuje použít profouknutí pěnového filtru pomocí vzduchové pistole nebo v případě potřeby přímo vyměnit za nový (obr. J2). 	
J2-1	Kryt čističky vzduchu
J2-2	Pěnový filtr

Instalace

- Pěnový filtr umístěte do krytu čističky vzduchu. Ujistěte se, že jsou všechny strany položeny rovně bez hrbolek (obr. J3).
- Čističku vzduchu řádně nainstalujte na pohonnou jednotku.
- Stiskněte a otáčejte pojistným knoflíkem ve směru hodinových ručiček, abyste zajistili čističku vzduchu na místě (obr. J4).

PŘEPRAVA/SKLADOVÁNÍ

PŘEPRAVA POHONNÉ JEDNOTKY

UPOZORNĚNÍ: V případě poškození pohonné jednotky nikdy nenechte na vývodový hřídel narážet a nenechte na vývodový hřídel tlačit silou (obr. K).

SKLADOVÁNÍ POHONNÉ JEDNOTKY

- Z pohonné jednotky vyjměte akumulátor.
- Před uskladněním pohonnou jednotku řádně vyčistěte.
- Pohonnou jednotku skladujte na suchém, dobře větraném místě mimo dosah dětí. Neskladujte ji v blízkosti hnojiv, benzínu nebo jiných chemikálií.

OCHRANA ŽIVOTNÍHO PROSTŘEDÍ



Elektrické zařízení, použité akumulátory a nabíječku nevhazujte do domovního odpadu! Předejte tento výrobek autorizované recyklační společnosti ke tříděnému sběru. Elektrické nářadí musí být vráceno do zařízení pro ekologickou recyklaci.

ODSTRAŇOVÁNÍ ZÁVAD

PROBLÉM	PŘÍČINA	ŘEŠENÍ
Pohonnou jednotku nelze spustit.	<ul style="list-style-type: none"> U modelů PU2710/PU2710RC není vypínač přepnut do polohy „START“. U modelu PU2710E se připojený spínač zapne před otočením klíčku do polohy „ON“. Akumulátor není správně nainstalován v prostoru pro akumulátor. Další neidentifikované příčiny. 	<ul style="list-style-type: none"> Otočte spínač do polohy „START“. Vždy nejprve otočte klíčkem do polohy „ON“ a poté zapněte připojený spínač. Připojte akumulátory do prostoru pro akumulátor a zatlačte na ně, dokud neuslyšíte „cvaknutí“. Obráťte se na kvalifikovaného servisního technika, který provede opravu.
Pohonná jednotka přestala fungovat.	<ul style="list-style-type: none"> Akumulátory jsou vybité. Pohonná jednotka je přetížená. Akumulátory jsou přehřáté. Pohonná jednotka je přehřátá. Další neidentifikované příčiny. 	<ul style="list-style-type: none"> Nabijte akumulátor/y. Snižte pracovní zátěž. Snižte pracovní zátěž nebo akumulátory zaměňte za akumulátory s vyšší kapacitou. Akumulátory nepoužívejte v prostředí s vysokou teplotou. Zkontrolujte a vyčistěte čističku vzduchu. Snižte zátěž a pohonnou jednotku nepoužívejte v prostředí s vysokou teplotou. Obráťte se na kvalifikovaného servisního technika, který provede opravu.
Otáčením páčky s plynulou regulací se otáčky nemění.	<ul style="list-style-type: none"> Pokud je okolí příliš hlučné, lze změny těžko zaznamenat. Neidentifikované závady. 	<ul style="list-style-type: none"> Zastavte pohonnou jednotku a znovu upravte rychlost. Ověřte, zda dochází ke změně rychlosti. Kontaktujte zákaznický servis EGO a požádejte o opravu.
Rychlost se automaticky snižuje, když je zařízení dlouhodobě zatěžováno a běží při nízkých otáčkách, což lze identifikovat poslechem.	<ul style="list-style-type: none"> Pohonná jednotka obsahuje funkci automatického nastavení z důvodu ochrany před přetížením. 	<ul style="list-style-type: none"> Snižte zatížení podle stávajícího stavu a poté se pohonná jednotka vrátí do stavu plné rychlosti.

CZ

ZÁRUKA

ZÁRUKA SPOLEČNOSTI EGO

Úplné záruční podmínky společnosti EGO naleznete na webové stránce poweredbyego.com.

BEZPEČNOSTNÉ POKYNY

VAROVANIE: Prečítajte si všetky bezpečnostné varovania, pokyny, ilustrácie a špecifikácie dodané s týmto nástrojom. Nedodržanie nižšie uvedených pokynov môže mať za následok úraz elektrickým prúdom, požiar a/alebo vážne zranenie.

ODLOŽTE SI VŠETKY VAROVANIA A POKYNY PRE BUDÚCE POUŽITIE.

- **Udržiavajte pracovisko čisté a dobre osvetlené.** Neporiadok alebo tmavé miesta spôsobujú nehody.
- **Nepoužívajte pohonnú jednotku vo výbušnom prostredí, napríklad v prítomnosti horľavých kvapalín, plynov alebo prachu.**
- Rozptyľovanie pozornosti môže viesť ku strate kontroly.
- **Zapojte zásuvku (ak je k dispozícii) so správnou zástrčkou. Zásuvka a zástrčka nikdy neupravujte.** Neupravené zástrčky a vhodné zásuvky znižia riziko úrazu elektrickým prúdom.
- **Buďte ostražití, sledujte, čo robíte a pri práci s pohonnou jednotkou používajte zdravý rozum. Nepoužívajte pohonnú jednotku, ak ste unavení alebo pod vplyvom drog, alkoholu alebo liekov.** Chvilka nepozornosti pri prevádzke pohonnej jednotky môže spôsobiť vážne zranenie osôb.
- **Používajte osobné ochranné pomôcky.** Ochranné prostriedky, ako napríklad maska proti prachu, protišmyková obuv, ochranná prilba alebo chrániče sluchu používané v príslušných podmienkach, znižia riziko poranenia osôb.
- **Noste vhodné oblečenie. Nenoste šperky alebo voľný odev. Udržujte vlasy a oblečenie mimo dosah pohybujúcich sa častí.** Voľný odev, šperky alebo dlhé vlasy môžu byť zachytené pohybujúcimi sa dielmi.
- **Nedovoľte, aby ste sa po získaní skúseností častým používaním náradia stali neobzretnými a ignorovali zásady bezpečnosti.** Nedbalá činnosť môže spôsobiť vážne zranenie za zlomok sekundy.



Prečítajte si a pochopte návod na obsluhu.

IPX5 Stupeň ochrany pred vniknutím

V Napätie

- **Pohonnú jednotku zverte do opravy kvalifikovanej osobe, ktorá použije iba originálne náhradné diely.** Tým sa zaistí zachovanie bezpečnosti pohonnej jednotky.
- **Vždy dbajte na zvýšenú opatnosť pri spúšťaní pohonnej jednotky bez jej úplnej montáže do náradia.**
- **Nepoužívajte akumulátor alebo náradie, ktoré sú poškodené alebo upravené.** Poškodené alebo upravené akumulátory môžu mať nepredvídateľné chovanie, ktoré môže viesť k požiaru, výbuchu alebo nebezpečenstvu poranenia.
- **Nevystavujte akumulátor ani nástroj ohňu alebo nadmernej teplote.** Pri vystavení ohňu alebo teplote nad 130 °C môže dôjsť k výbuchu.
- **Dodržujte všetky pokyny pre nabíjanie a nenabíjajte akumulátor alebo náradie mimo teplotného rozsahu uvedeného v pokynoch.** Nesprávne nabíjanie alebo nabíjanie pri teplotách mimo stanovený rozsah môže poškodiť akumulátor a zvýšiť riziko požiaru.
- **Nikdy neopravujte poškodené akumulátory.** Servis akumulátorov smie robiť iba výrobca alebo autorizovaní servisní poskytovatelia.
- **Bezpečnostné opatrenia týkajúce sa akumulátorov** nájdete v návode na obsluhu akumulátora.

SK

BEZPEČNOSTNÉ SYMBOLY

VAROVANIE: Prevádzka akéhokoľvek elektrického náradia môže viesť k vymršteniu cudzích predmetov do vašich očí, čo môže spôsobiť vážne poškodenie zraku. Predtým, než začnete používať elektrické náradie, si vždy nasadte ochranné okuliare alebo ochranné okuliare s postrannými krytmi a prípadne celotvárový štít. Odporúčame použiť bezpečnostnú masku so širokým priehľadom na okuliare alebo štandardné bezpečnostné okuliare s postrannými krytmi.



Odpadové elektrické výrobky sa nesmú likvidovať spolu s domovým odpadom. Odovzdajte do autorizovaného recyklačného strediska.



Jednosmerný prúd

TECHNICKÉ PARAMETRE

Napätie	56 V $\overline{\text{---}}$
Dĺžka x Šírka x Výška	PU2710/PU2710E: 342 mm x 306 mm x 344 mm PU2710RC: 342 mm x 290 mm x 344 mm
Hmotnosť (bez akumulátora)	PU2710/PU2710E: 11,4 kg PU2710RC: 11,5 kg
IP	IPX5
Akumulátorový port	Duálne porty
Ovládanie rýchlosti	Režimy Eco/Turbo (Plynulo meniteľné otáčky 1200-3600 ot./min.)
LED kontrolka poruchy	Áno
Chladiaci systém	Vzduchom chladený
Čistič vzduchu	Lahko vymeniteľný penový filter
Čistý výkon	3,47 kW pri 3450 ot./min
Max. čistý krútiaci moment	9,2 Nm pri 3450 ot./min
Elektronická brzda	Áno
Kľbový hriadeľ	Horizontálne
Otáčanie kľbového hriadeľa (zo strany kľbového hriadeľa)	Proti smeru hodinových ručičiek
Rozmery kľbového hriadeľa	Pozri obr. A2
Odporúčaná prevádzková teplota	-15°C – 40°C
Odporúčaná skladovacia teplota	0°C – 50°C

SK

POPIS

ZOZNÁMTE SA S VAŠOU POHONNOU JEDNOTKOU (OBR. A1)

1. Kryt priehradky na akumulátory
2. Vyhadzovací mechanizmus
3. Skrinka na akumulátory
4. Štrbina na uvoľnenie akumulátora
5. Zaisťovací gombík

6. Čistič vzduchu
7. Hlavný vypínač
8. LED obrazovka*
 - 8-a. Celkový počet prevádzkových hodín (H)
 - 8-b. Značka Bluetooth
 - 8-c. Značka rýchlosti otáčania
 - 8-d. Značka stavu akumulátora
 - 8-e. Znak poruchy
 - 8-f. Symbol zablokovania
 - 8-g. Symbol nadmernej teploty
9. Páčka s plynulou reguláciou*
10. Otvor/blok pre vedenie káblov
11. Základňa
12. Kľbový hriadeľ
13. Závitový otvor pre kľúč
14. Jazyček na uvoľnenie akumulátora
15. Kľúč (x2)

***POZNÁMKA:** Skrinka ovládacieho panela s vypínačom, LED displejom a plynulo nastaviteľnou páčkou je integrovaná do jednotky PU2710/PU2710E, ale je oddelená od jednotky PU2710RC.

OBSAH BALENIA (OBR. A1)

MONTÁŽ

■ PU2710

Montáž nie je nutná.

■ PU2710RC

Pripojte skrinku ovládacieho panela k napájacej jednotke (obr. B1 a B2).

B1-1	Zásuvka kábla	B1-2	Zástrčka kábla
B2-1	Koncový kryt	B2-2	Skrutka (x4)

■ PU2710E

Pripojte jednotku pomocou prepínača alebo iného ekvivalentného zariadenia (nie je súčasťou balenia).

1. Odskrutkujte šesť skrutiek z predného krytu a odstráňte predný kryt (obr. C1).
2. Vo vnútri napájacej hlavy sú vyhradené dva vonkajšie porty, uvoľníte matice (obr. C2).
3. Odstráňte blok, pomocou vhodných káblov pripojte napájajúcu jednotku a štartovací vypínač alebo iný ekvivalent. Spojovací koniec by mal byť koncovkou a môže byť pripojený cez matice (obr. C3).
4. Nie je potrebné vymeniť blok a nakoniec nasadíte predný kryt (obr. C4).

C1-1	Skrutka (x6)	C2-1	Matica a podložka (x2)
C3-1	Blok		

PREVÁDZKA

KONTROLA PRED PREVÁDZKOU

Čistič vzduchu (obr. D)

Skontrolujte diely čističa vzduchu, či sú čisté a v dobrom stave.

V prípade potreby vyčistíte alebo vymeňte prvky podľa pokynov v časti „SERVIS ČISTIČA VZDUCHU“.

⚠ UPOZORNENIE: Pohonnú jednotku nikdy nespúšťajte bez čističa vzduchu. Výsledkom bude rýchle opotrebovanie.

PRIPOJENIE/ODPOJENIE AKUMULÁTORA

Používajte len s odporúčanými akumulátormi a nabíjačkami EGO (obr. A3). Pre optimálny výkon odporúčame pripojiť: akumulátory 2 x 12 Ah, 2 x 10 Ah alebo najmenej 2 x 7,5 Ah.

Pred prvým použitím akumulátor úplne nabite.

1. **Ak chcete pripojiť akumulátor,** zarovnajre rebrá akumulátora s vodiacimi otvormi na pohonnej jednotke a zatlačte akumulátor nadol, kým nebudete počuť „cvaknutie“ (obr. E1).
2. **Ak chcete akumulátor odpojiť,** vložte jazýček na uvoľnenie akumulátora do otvoru a zatlačte ho smerom k pravej strane; potom sa akumulátor vysunie z priehradky na akumulátory (obr. E2).

E2-1	Štrbina na uvoľnenie akumulátora
------	----------------------------------

UPOZORNENIE: Akumulátor je možné odpojiť iba prostredníctvom jazýčka na uvoľnenie akumulátora.

POZNÁMKA: Nenechávajte jazýček na uvoľnenie akumulátora v štrbine, aby sa akumulátor neočakávané neuvolnil.

SPUSTENIE POHONNEJ JEDNOTKY (OBR. F)

■ PU2710/PU2710RC

1. Vložte kľúč do otvoru hlavný vypínač a otočte ho o 45° v smere hodinových ručičiek do polohy „ZAPNÚT“, pohonná jednotka bude pripravená pracovať, keď sa rozsvieti LED obrazovka a zelené svetlo batérie.
2. Otočte kľúčom opäť o 45° v smere hodinových ručičiek do polohy „START“, pohonná jednotka začne pracovať.

■ PU2710E

POZNÁMKA: Pri spúšťaní pohonnej jednotky vždy postupujte podľa nižšie uvedených krokov. Napájacia jednotka sa nemohla naštartovať, ak sa pripojený vypínač zapol pred otočením kľúča do polohy „ON“.

3. Vložte kľúč do otvoru hlavného vypínača a otočte ho do polohy „ON“. Napájacia jednotka bude pripravená na prácu, keď sa rozsvieti LED obrazovka a zelené svetlo akumulátora.
4. Zapnite pripojený vypínač (nie je súčasťou balenia), napájacia jednotka začne pracovať.

POZNÁMKA: Keď je pohonná jednotka pripravená na prevádzku alebo v prevádzke, kľúč nie je možné vybrať zo slotu spínača.

ZASTAVENIE POHONNEJ JEDNOTKY

■ PU2710/PU2710RC

Dočasné zastavenie pohonnej jednotky stačí otočiť kľúč do polohy „ZAPNÚT“.

Ak chcete pohonnú jednotku úplne zastaviť, otočte kľúč do polohy „VYPNÚT“.

■ PU2710E

Ak chcete dočasne zastaviť pohonnú jednotku, stačí vypnúť pripojený vypínač (nie je súčasťou balenia).

Ak chcete pohonnú jednotku úplne zastaviť, otočte kľúčikom do polohy „OFF“.

POZNÁMKA: Aby ste predišli neočakávanému spusteniu, otočte kľúč do polohy „VYPNÚT“, aby ste úplne vyplí pohonnú jednotku.

NASTAVENIE RÝCHLOSTI (OBR. G)

Otočte páčkou s plynulou reguláciou a použite indikačnú štrbinu na páčke, ktorá vám pomôže nájsť a zvoliť rýchlosť medzi „ECO“ a „TURBO“.

POZNÁMKA: Rýchlosť je možné nastaviť aj pred spustením.

G-1	Označenie slotu
-----	-----------------

NAPÁJANIE OSVETĽOVACÍCH ZARIADENÍ

Táto pohonná jednotka môže napájať externé osvetľovacie zariadenie a napätie je v súlade s menovitým napätím napájajúcej hlavy.

1. Odstráňte šesť skrutiek z predného krytu a odstráňte predný kryt (obr. H1).
2. Vo vnútri pohonnej jednotky sú vyhradené dva páry externých portov, pričom jeden pár vľavo je výstupný, ľavý je záporný a pravý je kladný (s kladným a záporným znamienkom na rozhraní) (obr. H2).

3. Odstráňte blok a použite vhodné káble na pripojenie pohonnej jednotky a osvetľovacieho zariadenia. Spojovací koniec by malo byť koncové očko a môže byť pripojené pomocou skrutiek M5 (obr. H3).
4. Nie je potrebné namontovať blok naspäť a nakoniec nasadíte predný kryt (obr. H4).

POZNÁMKA: Na ochranu pohonnej jednotky musí byť pripojená poisťka s maximálnou hodnotou 12 A. Na akékoľvek poškodenie výrobu spôsobené nepripojením poisťky sa nevzťahuje záruka.




PRIPOJENIE K EXTERNÉMU BEZPEČNOSTNÉMU SPÍNAČU

K pohonnej jednotke je možné pripojiť externý bezpečnostný spínač, ktorý umožňuje operátorovi včasné zastavenie pohonnej jednotky v prípade núdze.

1. Odstráňte šesť skrutiek z predného krytu a odstráňte predný kryt (obr. I1).
2. Vo vnútri napájacej hlavy sú vyhradené dva externé porty, použite dvojicu vpravo. uvoľnite skrutky a odstráňte drôt (obr. I2).
3. Odstráňte blok a pripojte napájaciu jednotku vhodnými vodičmi. Spojovací koniec by malo byť koncové očko a môže byť pripojené pomocou skrutiek M5 (obr. I3).
4. Nie je potrebné namontovať blok naspäť a nakoniec nasadíte predný kryt (obr. I4).

POZNÁMKA: Zastavenie pohonnej jednotky pomocou externého bezpečnostného spínača môže iba zastaviť motor pohonnej jednotky a nemôže jednotku úplne vypnúť; čo znamená, že celá jednotka je stále v zapnutom stave. Ak chcete napájaciu jednotku reštartovať, obnovte elektrické pripojenie externého bezpečnostného spínača.

LED DISPLEJ

DISPLEJ	VÝZNAM	AKCIA
	ochrana uzamknutia rotora	<ul style="list-style-type: none"> ▪ Odpojte napájanie a skontrolujte, či nie sú v okolí záťaže nejaké prekážky. Po vyčistení reštartujte pohonnú jednotku. Ak sa ochrana uzamknutia rotora stále zobrazuje, kontaktujte servisné stredisko EGO so žiadosťou o opravu.
	Nízke napätie	<ul style="list-style-type: none"> ▪ Dobite akumulátory.
	Akumulátor je prehriaty	<ul style="list-style-type: none"> ▪ Skontrolujte a vyčistite čistič vzduchu. ▪ Nechajte akumulátor vychladnúť, kým žltá LED neprestane blikať, alebo vyskúšajte použiť akumulátory s vyššou kapacitou.

SK

04 	Prehriatie pohonnej jednotky	<ul style="list-style-type: none"> Počkajte, kým pohonná jednotka vychladne. Znížte pracovné zaťaženie.
05	Nadprúdová ochrana základnej dosky	<ul style="list-style-type: none"> Pokúste sa znížiť pracovné zaťaženie
06	Komunikačná chyba	<ul style="list-style-type: none"> Kontaktujte servisné stredisko EGO pre opravu.

J1-1	Zaisťovací gombík
2. V prípade potreby odporúčame použiť vzduchovú pištoľ a vyčistiť penový filter ofukovaním alebo v prípade potreby priamo vymeniť za nový (obr. J2).	
J2-1	Kryt čističa vzduchu
J2-2	Penový filter

Inštalácia

- Vložte penový filter do krytu čističa vzduchu. Uistite sa, že všetky strany sú položené naplocho bez hrboľov (obr. J3).
- Správne umiestnite čistič vzduchu na pohonnú jednotku.
- Stlačte a otočte zaisťovací gombík v smere hodinových ručičiek, aby ste zaistili čistič vzduchu na mieste (obr. J4).

PREPRAVA/SKLADOVANIE

PREPRAVA POHONNEJ JEDNOTKY

⚠ UPOZORNENIE: V prípade poškodenia pohonnej jednotky nikdy nedovoľte, aby došlo k zasiahnutiu káblového hriadeľa alebo na neho pôsobila sila (obr. K).

SKLADOVANIE POHONNEJ JEDNOTKY

- Vyberte akumulátory z napájacej jednotky.
- Pred uskladnením pohonnú jednotku dôkladne vyčistite.
- Napájaciu jednotku skladujte na suchom, dobre vetranom mieste, mimo dosahu detí. Neskladujte pohonnú jednotku na hnojivách, benzíne alebo iných chemikáliách alebo v ich blízkosti.

OCHRANA ŽIVOTNÉHO PROSTREDIA



Nevyhadzujte elektrické zariadenia, nabíjačku a použité akumulátory do domového odpadu! Tento výrobok odnesť na autorizované recyklačné miesto a poskytnite ho na separovaný zber. Elektrické náradie sa musí odovzdať do príslušného zariadenia na ekologicky šetrnú recykľáciu.

ÚDRŽBA

⚠ VAROVANIE: Pred servisom, čistením alebo odstraňovaním materiálu z nástroja vyberte akumulátor.

⚠ VAROVANIE: Pri údržbe používajte iba originálne náhradné diely. Použitie iných súčastí môže vyvolať nebezpečenstvo, alebo spôsobiť poškodenie výrobku. Pre zaistenie bezpečnosti a spoľahlivosti je nevyhnutné, aby všetky opravy vykonával len kvalifikovaný servisný technik.

ČISTENIE POHONNEJ JEDNOTKY

- Vyčistite pohonnú jednotku vlhkou handričkou s jemným čistiacim prostriedkom. Nedovoľte, aby sa do pohonnej jednotky dostala akákoľvek kvapalina; nikdy neponárajte žiadnu časť pohonnej jednotky do kvapaliny.
- Na plastové puzdro nepoužívajte žiadne silné čistiace prostriedky. Môžu byť poškodené určitými aromatickými olejmi, ako je borovica a citrón, a rozpúšťadlami, ako je petrolej. Vlhkosť môže tiež spôsobiť nebezpečenstvo úrazu elektrickým prúdom. Akúkoľvek vlhkosť poutierajte mäkkou a suchou handrou.

SERVIS ČISTIČA VZDUCHU

Vybratie

- Otočte zaisťovacím gombíkom proti smeru hodinových ručičiek podľa vyobrazenia ikony na ňom a vyberte čistič vzduchu priamo (obr. J1).

SK

ODSTRAŇOVANIE PORÚCH

PROBLÉM	PRÍČINA	RIEŠENIE
Pohonná jednotka sa nespustí.	<ul style="list-style-type: none"> ▪ V prípade PU2710/PU2710RC nie je vypínač napájania prepnutý do polohy „START“. ▪ V prípade PU2710E sa pripojený vypínač zapne pred otočením kľúča do polohy „ON“. ▪ Akumulátory nie sú zapojené na mieste v priehradke na akumulátory. ▪ Ďalšie neidentifikované príčiny. 	<ul style="list-style-type: none"> ▪ Otočte prepínač do polohy „ŠTART“. ▪ Najskôr vždy otočte kľúč do polohy „ON“ a potom zapnite pripojený vypínač. ▪ Pripojte akumulátory do priehradky pre akumulátory a zatlačte ich, kým sa nezozve „cvaknutie“. ▪ Požiadajte kvalifikovaného servisného technika o opravu.
Pohonná jednotka prestane fungovať.	<ul style="list-style-type: none"> ▪ Akumulátory sú vybité. ▪ Pohonná jednotka je preťažená. ▪ Akumulátory sú prehriate. ▪ Napájacia jednotka je prehriata. ▪ Ďalšie neidentifikované príčiny. 	<ul style="list-style-type: none"> ▪ Nabite akumulátory. ▪ Znížte pracovné zaťaženie. ▪ Znížte pracovné zaťaženie alebo vymeňte za akumulátor s vyššou kapacitou. ▪ Vyhnite sa používaniu akumulátorov v prostredí s vysokou teplotou. ▪ Skontrolujte a vyčistite čistič vzduchu. ▪ Znížte zaťaženie a vyhnite sa používaniu pohonnej jednotky v prostredí s vysokou teplotou. ▪ Požiadajte kvalifikovaného servisného technika o opravu.
Otáčky sa pri otáčaní páčky s plynulou reguláciou nemenia.	<ul style="list-style-type: none"> ▪ Ak je okolie príliš hlučné, je ťažké rozpoznať zmeny. ▪ Neidentifikované poruchy. 	<ul style="list-style-type: none"> ▪ Zastavte pohonnú jednotku a znova upravte rýchlosť. Zmerajte rozdiel otáčok na ďalšiu kontrolu v prípade potreby. ▪ Pre opravy kontaktujte zákaznický servis EGO.
Prí nepretržitom vysokom zaťažení a udržiavaní nízkych otáčok sa rýchlosť automaticky zníži, čo je možné rozpoznať zvukom chodu.	<ul style="list-style-type: none"> ▪ Pohonná jednotka je vybavená funkciou automatického nastavenia na ochranu proti preťaženiu. 	<ul style="list-style-type: none"> ▪ Znížte zaťaženie podľa skutočnej situácie a potom sa pohonná jednotka vráti do stavu plnej rýchlosti.

SK

ZÁRUKA

ZÁRUČNÁ POLITIKA EGO

Úplné znenie záručných podmienok EGO nájdete na webovej stránke poweredbyego.com.

BIZTONSÁGI ELŐÍRÁSOK

▲ FIGYELMEZTETES: Olvassa el a szerszámhoz mellékelt összes biztonsági figyelmeztetést, utasítást, ábrát és specifikációt. Az alább felsorolt utasítások be nem tartása áramütést, tűzveszélyt és/vagy súlyos sérülést idézhet elő.

ŐRIZZEN MEG MINDEN UTASÍTÁST ÉS FIGYELMEZTETÉST, HOGY KÉSŐBB IS ELŐ TUDJA MAJD VENNI.

- A munkaterület legyen tiszta és jól megvilágított. A munkaterületen uralkodó rendetlenségnek vagy a rossz megvilágításnak baleset lehet a következménye.
- Ne használja a hajtóegységet robbanásveszélynek kitétt környezetben, például olyan helyen, ahol éghető folyadékok, gázok vagy porok találhatók.
- Ha megzavarják, elveszítheti uralmát a készülék felett.
- Az aljzatba (ha rendelkezésre áll) illő csatlakozódugót használjon. Soha és semmilyen módon ne módosítsa az aljzatot és a csatlakozódugót. Az eredeti csatlakozódugók és megfelelő aljzatok használata csökkenti az áramütés veszélyét.
- Legyen figyelmes, ügyeljen arra, amit csinál, és józan ésszel fogjon a munkához, amikor a hajtóegységet használja. Ne használja a hajtóegységet, ha fáradtnak érzi magát, vagy ha kábítószert, alkoholt vagy gyógyszerek hatása alatt áll. A hajtóegység használata közben egyetlen pillanatnyi figyelmetlenség is komoly személyi sérülésekhez vezethet.
- Használjon egyéni védőfelszerelést. A védőfelszerelések, mint például porvédő maszk, csúszásmentes lábbeli, sisak és hallásvédő rendeltetészerű használata révén csökkenti a személyi sérülések veszélyét.
- Viseljen megfelelő ruházatot. Ne viseljen laza ruházatot vagy ékszereket. A haj és a ruházat ne érjen a mozgó részekhez. A laza ruházatot, az ékszert vagy a hosszú hajat becsíphetik a mozgó alkatrészek.
- Ne hagyja, hogy a rendszeres használat során megszerzett tapasztalat miatt túl magabiztossá váljon, és emiatt figyelmen kívül hagyja a biztonsági irányelveket. Egy óvatlan cselekedet a másodperc töredéke alatt súlyos sérülést okozhat.

- A hajtóegység szervizelését szakképzett szerelő végezze, csak az eredetivel megegyező cserealkatrészek felhasználásával. Ezzel biztosítja a hajtóegység biztonságának fenntartását.
- Mindig fokozott óvatossággal járjon el, ha a hajtóegységet úgy indítja el, hogy nem szerelte össze teljesen a szerszámmal.
- Ne használjon sérült vagy módosított akkumulátoregységet vagy szerszámot. A sérült vagy módosított akkumulátorok előre nem látható módon viselkedhetnek, aminek eredménye tűz, robbanás vagy sérülésveszély lehet.
- Ne tegye ki az akkumulátoregységet tűznek vagy túlzott hőmérsékletnek. Ha tűznek, vagy 130 °C feletti hőmérsékletnek teszi ki, akkor felrobbanhat.
- Tartsa be a töltési utasításokat, és ne töltse az akkumulátoregységet vagy a szerszámot az utasításokban meghatározott hőmérséklet-tartományon kívül. A nem megfelelő vagy a meghatározott hőmérséklet-tartományon kívüli töltés károsíthatja az akkumulátort, és növeli a tűzveszélyt.
- Soha ne szervizeljen sérült akkumulátoregységet. Az akkumulátoregységet csak a gyártó vagy felhatalmazott szerviz szolgáltató szervizelheti.
- Az akkumulátoregységgel kapcsolatos óvintézkedésekért olvassa el az akkumulátoregység használati útmutatóját.

HU

BIZTONSÁGI SZIMBÓLUMOK

▲ FIGYELMEZTETES: Bármely elektromos kéziszerszám működtetése azzal járhat, hogy idegen tárgyak szembe kerülnek, ami súlyos szemsérüléseket okozhat. Az elektromos kéziszerszám működtetése előtt mindig vegyen fel oldalsó védőlemezzel ellátott védőszemüveget és a teljes védőálarcot, ha szükséges. Javasoljuk, hogy viseljen Wide Vision Safety Mask-ot (védőálarc) a védőszemüveg fölött vagy standard védőszemüveget oldalsó védőlemezzel.



Olvassa el és értelmezze a használati útmutatót

IPX5 Külső behatásokkal szembeni védelem

V Feszültség



Az elhasznált elektromos termékek nem helyezhetők a háztartási hulladékok közé. Vigye hivatalos újrahasznosító telephelyre.



Egyenáram

MŰSZAKI ADATOK

Feszültség	56 V
Hosszúság x szélesség x magasság	PU2710/PU2710E: 342 mm x 306 mm x 344 mm PU2710RC: 342 mm x 290 mm x 344 mm
Súly (akkumulátoregység nélkül)	PU2710/PU2710E: 11,4 kg PU2710RC: 11,5 kg
IP	IPX5
Akkumulátor port	Dupla port
Sebességszabályozó	Eco/Turbo üzemmódok (fokozatmentesen változtatható 1200-3600 RPM)
Hibajelző LED	Igen
Hűtőrendszer	Légűtéses
Légszűrő	Könnyen cserélhető szivacs szűrő
Nettó kimeneti teljesítmény	3,47 KW 3450 RPM-nél
Max. nettó nyomaték	9,2 N.m 3450 RPM-nél
Elektronikus fék	Igen
PTO tengely	Vízszintes
PTO tengely forgásiránya (a PTO tengely oldaláról)	Az óramutató járásával ellentétes
A PTO tengely méretei	Lásd az A2 ábrát
Javasolt üzemi hőmérséklet	-15°C - 40°C
Javasolt tárolási hőmérséklet	0°C - 50°C

ISMERJE MEG A HAJTÓEGYSÉGET (A1 ábra)

1. Akkumulátor tartó fedél
2. Kioldó mechanizmus
3. Akkumulátor szekrény
4. Akkumulátor kioldó nyílás
5. Rögzítő gomb
6. Légszűrő
7. Főkapcsoló
8. LED képernyő*
 - 8-a. Összes üzemmórá (H)
 - 8-b. Bluetooth jel
 - 8-c. Fordulatszám jel
 - 8-d. Akkumulátor töltöttségének jele
 - 8-e. Meghibásodás jele
 - 8-f. Blokkolás jele
 - 8-g. Túlmelegedés jele
9. Fokozatmentesen állítható kar*
10. Vezetéknyílás/blokk
11. Talp
12. PTO tengely
13. Menetes furat a kulcshoz
14. Akkumulátor kioldása
15. Kulcs (2 db.)

***MEGJEGYZÉS:** A főkapcsoló, a LED-képernyő és a fokozatmentesen állítható kar vezérlőpanel doboza a PU2710/PU2710E egységébe van beépítve, de el van választva a PU2710RC egységétől.

A CSOMAG TARTALMA (A1 ÁBRA)

ÖSSZESZERELÉS

■ PU2710

Nincs szükség összeszerelésre.

■ PU2710RC

Csatlakoztassa a vezérlőpanel dobozát a hajtóegységhez (B1 és B2 ábra).

B1-1	Kábel aljzat	B1-2	Kábel dugasz
------	--------------	------	--------------

LEÍRÁS

B2-1	Végzáró fedél	B2-2	Csavar (x4)
------	---------------	------	-------------

■ PU2710E

Csatlakoztassa az egységet kapcsolóval vagy más, hasonló eszközzel (nem tartozék).

1. Távolítsa el a hat csavart az előlapról, és vegye le az előlapot (C1. ábra).
2. Két külső csatlakozónyílás van fenntartva a tápfej belsejében, lazítsa meg az anyákat (C2 ábra).
3. Távolítsa el a blokkot, használjon megfelelő vezetőkeket a tápegység és az indítókapcsoló vagy más, hasonló eszköz csatlakoztatásához. A csatlakozó végnek egy csatlakozófülnék kell lennie, amit az anyákkal lehet csatlakoztatni (C3 ábra).
4. Nincs szükség a blokk cseréjére, és végül helyezze vissza az elülső fedelet (C4 ábra)."

C1-1	Csavar (x6)	C2-1	Anya és alátét (x2)
C3-1	Blokk		

HASZNÁLAT

HASZNÁLAT ELŐTTI ELLENŐRZÉS

Légszűrő (D ábra)

A légszűrő elemeinek ellenőrzésével bizonyosodjon meg arról, hogy tiszta és jó állapotban vannak-e.

Szükség esetén tisztítsa meg és cserélje ki az elemeket, a „LÉGSZÜRŐ SZERVIZELÉSE” részben leírtak szerint.

▲ VIGYÁZAT: Soha ne működtesse a hajtóegységet a légszűrő nélkül. Különben az egység hamar elhasználódik.

AZ AKKUMULÁTOREGYSÉG BERAKÁSA/KIVÉTELE

Kizárólag az ajánlott EGO akkumulátoregységeket és töltőket használja (A3 ábra). Az optimális teljesítmény érdekében a következők használata ajánlott: 2 db 12 Ah, 2 db 10 Ah vagy legalább 2 db 7,5 Ah akkumulátor.

Az első használat előtt teljesen tölts fel.

1. **Az akkumulátoregység behelyezéséhez** illessze az akkumulátor bordáit a hajtóegység vezetőnyílásaiba, és nyomja lefelé az akkumulátoregységet, amíg kattantást nem hall (E1 ábra).
2. **Az akkumulátor leválasztásához** helyezze az akkumulátor kioldóját a nyílásba, és nyomja a jobb oldal felé; ekkor az akkumulátor kipumpálódik az akkumulátortartóból (E2. ábra).

E2-1	Akkumulátor kioldó nyílás
------	---------------------------

FIGYELMEZTETÉS: az akkumulátor csak az akkumulátor-kioldóval vehető ki.

MEGJEGYZÉS: Ne hagyja az akkumulátor kioldóját a nyílásban, ha az akkumulátort váratlanul kiveszik.

A HAJTÓEGYSÉG ELINDÍTÁSA (F ÁBRA)

■ PU2710/PU2710RC

1. Helyezze a kulcsot a főkapcsoló nyílásába, és fordítsa 45°-kal az óramutató járásával megegyező irányba az „ON” állásba, a tápegység készen áll a működésre, amint a LED-képernyő és az akkumulátoregység zöld fénye bekapcsol.
2. Fordítsa a kulcsot 45°-kal az óramutató járásával megegyező irányban ismét a „START” állásba, a tápegység működésbe lép.

■ PU2710E

MEGJEGYZÉS: Mindig kövesse az alábbi lépéseket a tápegység elindításához. A tápegység nem indulhat el, ha a csatlakoztatott kapcsolót azelőtt kapcsolják be, hogy a kulcsot „BE” állásba fordítanak.

1. Helyezze a kulcsot a főkapcsoló nyílásába, és fordítsa „BE” állásba. A tápegység üzemkész, amint a LED-képernyő és az akkumulátor zöld jelzőfénye bekapcsol.
2. Kapcsolja be a csatlakoztatott kapcsolót (nem tartozék), a tápegység működni kezd.

MEGJEGYZÉS: A kulcsot nem lehet kivenni a kapcsolónyílásból, ha a tápegység munkakész vagy üzemben van.

A HAJTÓEGYSÉG LEÁLLÍTÁSA

■ PU2710/PU2710RC

A tápegység ideiglenes leállítása egyszerűen fordítsa a kulcsot a „BE” állásba.

A tápegység teljes leállításához fordítsa a kulcsot a „KI” állásba.

■ PU2710E

A tápegység ideiglenes leállításához egyszerűen kapcsolja ki a csatlakoztatott kapcsolót (nem tartozék).

A tápegység teljes leállításához fordítsa a kulcsot a „KI” állásba."

MEGJEGYZÉS: A váratlan indítás megelőzése érdekében fordítsa a kulcsot az „OFF” állásba, hogy a tápegységet teljesen kikapcsolja.

A SEBESSÉG BEÁLLÍTÁSA (G ÁBRA)

Forgassa el a fokozatmentesen állítható kart, és használja

a karon lévő jelzőnyílást, hogy segítsen megtalálni és kiválasztani a sebességet az „ECO” és a „TURBO” között.

MEGJEGYZÉS: A sebesség indítás előtt előre beállítható.

G-1	Jelzőnyílás
-----	-------------

VILÁGÍTÓBERENDEZÉSEK TÁPLÁLÁSA

Ez a tápegység képes külső világítóberendezések táplálására, és a feszültség megfelel a tápfej névleges feszültségének.

1. Távolítsa el a hat csavart az előlapról, és vegye le az előlapot (H1. ábra).
2. A tápegységen belül két pár külső port van fenntartva, az egyik pár a bal oldalon a kimeneti port, a bal oldali negatív, a jobb oldali pedig pozitív (pozitív és negatív előjellel az interfészen) (H2. ábra).
3. Távolítsa el a blokkot, és megfelelő vezetékkel csatlakoztassa a tápegységet és a világítóberendezést. A csatlakozó végnek egy csatlakozófülnek kell lennie, amit M5-ös csavarokkal lehet csatlakoztatni (H3. ábra).
4. Nincs szükség a blokk cseréjére, és végül helyezze vissza az elülső fedelet (H4. ábra).

HU

MEGJEGYZÉS: A tápegység védelmére legfeljebb 12 A biztosítékot kell csatlakoztatni. A biztosíték csatlakoztatásának elmulasztása által okozott termékárosodásra a garancia nem terjed ki.

CSATLAKOZÁS KÜLSŐ BIZTONSÁGI KAPCSOLÓHOZ




A tápegységhez külső biztonsági kapcsoló csatlakoztatható, ami lehetővé teszi a kezelő számára, hogy vészhelyzet esetén időben leállítsa a tápegységet.

1. Távolítsa el a hat csavart az előlapról, és vegye le az előlapot (I1. ábra).
2. A tápfejen két külső port van fenntartva, használja a jobb oldali párt. Lazítsa meg a csavarokat, és távolítsa el a vezetékét (I2. ábra).
3. Távolítsa el a blokkot, és csatlakoztassa a tápegységet megfelelő vezetékkel. A csatlakozó végnek egy csatlakozófülnek kell lennie, amit M5-ös csavarokkal lehet csatlakoztatni (I3. ábra).
4. Nincs szükség a blokk cseréjére, és végül helyezze vissza az elülső fedelet (I4. ábra).

MEGJEGYZÉS: A tápegység külső biztonsági kapcsolóval történő leállítása csak a tápegység motorját

tudja leállítani, és nem tudja teljesen kikapcsolni az egységet; ami azt jelenti, hogy az egész egység még mindig bekapcsolt állapotban van. A tápegység újraindításához folytassa a külső biztonsági kapcsoló elektromos csatlakozását.

LED KÉPERNYŐ KIJELZŐ

KIJELZŐ	JELENTÉS	MŰVELET
	01 záró rotor védelem	<ul style="list-style-type: none"> ▪ Kapcsolja ki a tápellátást, és ellenőrizze, hogy nincs-e elzáródás a terhelés körül. Tisztítás után indítsa újra a tápegységet. Ha a záró rotor védelme továbbra is megjelenik, kérje az EGO szervizközponttól a javítást.
	02 Alacsony feszültség	<ul style="list-style-type: none"> ▪ Töltse fel az akkumulátor-egysége(ke)t.
	03 Az akkumulátoregység túlmelegedett	<ul style="list-style-type: none"> ▪ Ellenőrizze és tisztítsa meg a légszűrőt. ▪ Hagyja az akkumulátort lehűlni, amíg a sárga LED villogása le nem áll, vagy próbálkozzon nagyobb kapacitású akkumulátoregységgel (egységekkel).

	<p>A hajtóegység túlmelegedett</p>	<ul style="list-style-type: none"> Várja meg, amíg a tápegység lehül. Csökkentse a munkaterhelést.
	<p>Főtábla túláramvédelem</p>	<ul style="list-style-type: none"> Próbálja meg csökkenteni a munkaterhelést
	<p>Kommunikációs hiba</p>	<ul style="list-style-type: none"> Forduljon az EGO szervizközponthoz a javításhoz.

KARBANTARTÁS

▲ FIGYELMEZTETES: A személyi sérülések elkerülése érdekében a készülék karbantartása, tisztítása előtt vegye ki az akkumulátoregységeket.

▲ FIGYELMEZTETES: Javításkor használjon azonos pótalkatrészeket. Más alkatrészek használata veszélyt okozhat, vagy megrongálhatja a terméket. A biztonságosság és megbízhatóság biztosítása érdekében minden javítást szakképzett szerviztechnikusnak kell elvégeznie.

A HAJTÓEGYSÉG TISZTÍTÁSA

- Nedves törőruhával és enyhe tisztítószerrel tisztítsa meg a hajtóegységet. Soha ne hagyja, hogy bármilyen folyadék a hajtóegységbe kerüljön, és soha ne merítse vízbe a hajtóegység egyetlen alkatrészét sem.
- Ne használjon erős tisztítószereket a műanyag burkolaton. Ezek megsérülhetnek a különböző aromaolajaktól, pl. fenyő vagy citrom, és az olyan oldószerektől, mint a kerozin. A nedvesség szintén áramütés veszélyét okozhatja. A nedvességet egy puha, száraz ruhával törölje le.

LÉGSZŰRŐ SZERVIZELÉSE

Lévétel

- Forgassa a rögzítő gombot az óramutató járásával ellentétes irányba, ahogy a rajta lévő ikonos

illusztráció is mutatja, majd vegye ki közvetlenül a légszűrőt (J1 ábra).

J1-1 Rögzítő gomb

- A szivacs szűrő tisztítását javasolt szükség esetén légpisztolyos fúvással végezni, vagy közvetlenül egy újra kicserélni (J2 ábra).

J2-1 Légszűrő védőburkolat J2-2 Szivacs szűrő

Felhelyezés

- Tegye a szivacs szűrőt a légszűrő védőburkolatba. Ügyeljen arra, hogy mindegyik oldal simán felfeküdjön, kiürodorások nélkül (J3 ábra).
- Illessze a légszűrőt a megfelelő módon a hajtóegységbe.
- Rögzítse a légszűrőt a helyén úgy, hogy lenyomja és elforgatja a rögzítő gombot az óramutató járásával megegyező irányban (J4 ábra).

SZÁLLÍTÁS/TÁROLÁS

A HAJTÓEGYSÉG SZÁLLÍTÁSA

▲ VIGYÁZAT: Ha a hajtóegység megsérül, soha ne hagyja, hogy a PTO tengelyt ütés érje, vagy valamilyen erő betolja (K ábra).

A HAJTÓEGYSÉG TÁROLÁSA

- Vegye ki az akkumulátoregységeket a hajtóegységből.
- Elrakás előtt alaposan tisztítsa meg a hajtóegységet.
- A hajtóegységet száraz, jól szellőző helyen tárolja, ahol gyermekek nem férnek hozzá. Ne tárolja a hajtóegységet műtrágyán, benzinen vagy más vegyszereken, illetve azok közelében.

KÖRNYEZETVÉDELEM



Ne dobja az elektromos eszközt, az elhasznált akkumulátort és a töltőt a háztartási hulladékok közé! Vigye hivatalos újrahasznosító telephelyre, és tegye hozzáférhetővé a szelektív gyűjtéshez. Az elektromos eszközöket megfelelő környezetbarát újrahasznosító üzembe kell vinni.

HU

HIBAE LHÁRÍTÁS

PROBLÉMA	OK	MEGOLDÁS
A hajtóegység nem indul.	<ul style="list-style-type: none"> A PU2710/PU2710RC esetében a főkapcsoló nincs "START" állásba kapcsolva. A PU2710E esetén a csatlakoztatott kapcsolót azelőtt kell bekapcsolnia, hogy a kulcsot "BE" állásba fordítaná. Az akkumulátoregység(ek) nincs(enek) a helyére téve az akkumulátortartóban. Egyéb ismeretlen okok. 	<ul style="list-style-type: none"> Fordítsa a kapcsolót „INDÍTÓ” állásba. Először mindig fordítsa a gombot "BE" állásba, majd kapcsolja be a csatlakoztatott kapcsolót. Tolja az akkumulátoregysége(ke)t az akkumulátortartó rekeszbe, amíg kattánást nem hall. A javításhoz forduljon szakképzett szerviztechnikushoz.
A hajtóegység leáll.	<ul style="list-style-type: none"> Az akkumulátoregység(ek) lemerült(ek). A hajtóegység túl van terhelve. Az akkumulátoregység(ek) túlmelegedett/-tek. A hajtóegység túlmelegedett. Egyéb ismeretlen okok. 	<ul style="list-style-type: none"> Töltse fel az akkumulátoregysége(ke)t. Csökkentse a terhelést. Csökkentse a terhelést, vagy cserélje az akkumulátoregység(ek)et nagyobb kapacitására. Ügyeljen arra, hogy az akkumulátoregység(ek)et ne használja magas hőmérsékletű környezetben. Ellenőrizze és tisztítsa meg a légszűrőt. Csökkentse a terhelést, és kerülje az akkumulátoregységek használatát magas hőmérsékletű környezetben. A javításhoz forduljon szakképzett szerviztechnikushoz.
A fokozatmentesen állítható kar elforgatásakor a sebesség nem változik.	<ul style="list-style-type: none"> Ha a környezet túl hangos, a változásokat nehéz felismerni. Azonosítatlan hibák. 	<ul style="list-style-type: none"> Állítsa le a tápegységet, és állítsa be újra a sebességet. Ha szükséges, mérje meg a sebességkülönbséget a további ellenőrzés érdekében. A javításhoz forduljon az EGO ügyfélszolgálatához.
Folyamatosan nagy terhelés esetén a sebesség automatikusan csökken és alacsony sebességszinten marad, amit a működés hangjából lehet felismerni.	<ul style="list-style-type: none"> A hajtóegységen automatikus beállítás funkció található a túlterhelés elleni védelem érdekében. 	<ul style="list-style-type: none"> Csökkentse a terhelést az adott helyzetnek megfelelően, és a hajtóegység újra teljes sebességen fog működni.

HU

GARANCIA

EGO GARANCIÁLIS FELTÉTELEK

Kérjük, látogasson el az poweredbyego.com oldalra, ahol megtalálja a részletes EGO garanciális feltételeket.

INSTRUCȚIUNI PRIVIND SIGURANȚA

⚠️ AVERTISMENT: Citiți toate instrucțiunile, avertizările de siguranță, ilustrațiile și specificațiile livrate împreună cu această sculă electrică.

Nerespectarea tuturor instrucțiunilor enumerate mai jos se poate solda cu șoc electric, incendiu și/sau vătămare corporală gravă.

PĂSTRAȚI TOATE AVERTISMENTE ȘI INSTRUCȚIUNILE PENTRU CONSULTARE ULTERIOARĂ.

- **Păstrați zona de lucru curată și bine iluminată.** Zonele dezordonate și întunecoase predispun la accidente.
- **Nu utilizați unitatea de alimentare în atmosfere explozive, cum ar fi în prezența lichidelor inflamabile, a gazelor sau a prafului.**
- Distragerea atenției vă poate face să pierdeți controlul.
- **Potriviiți priza (dacă este cazul) cu fișa corespunzătoare. Nu modificați niciodată priza și fișa în niciun fel.** Fișele nemodificate și prizele potrivite vor reduce riscul de electrocutare.
- **Rămâneți atent, urmăriți ceea ce faceți și folosiți bunul simț atunci când utilizați unitatea de alimentare. Nu utilizați unitatea de alimentare în timp ce sunteți oșosit sau sub influența drogurilor, a alcoolului sau a medicamentelor.** Un moment de neatenție în timpul funcționării unității de alimentare poate duce la vătămări corporale grave.
- **Utilizați echipamente individuale de protecție.** Echipamentele de protecție, cum ar fi masca de praf, încălțăminte antiderapantă, cască sau protecție auditivă utilizate pentru condiții adecvate vor reduce leziunile personale.
- **Îmbrăcați-vă corespunzător. Nu purtați haine largi sau bijuterii. Păstrați-vă părul și îmbrăcămintea departe de componentele în mișcare.** Îmbrăcămintea largă, bijuteriile sau părul lung pot fi prinse de piesele în mișcare.
- **Nu permiteți ca familiaritatea dobândită în urma utilizării frecvente a sculelor să vă facă să neglijați sau să nesocotiți principiile de siguranță ale sculei.** O operație neglijentă poate cauza vătămări grave într-o fracțiune de secundă.

- **Apelați numai la o persoană calificată pentru a vă repara unitatea de alimentare care utilizează numai piese de schimb identice.** Acest lucru va asigura menținerea siguranței unității de alimentare.
- **Aveți întotdeauna grijă sporită atunci când porniți unitatea de alimentare fără a o asambla complet la sculă.**
- **Nu utilizați un set de acumulatori sau o sculă deteriorată sau modificată.** Acumulatorii deteriorați sau modificați pot prezenta comportament imprevizibil, care poate duce la incendiu, explozie sau risc de vătămare.
- **Nu expuneți setul de acumulatori la foc sau la temperaturi excesive.** Expunerea la foc sau la temperaturi de peste 130°C poate provoca explozie.
- **Respectați toate instrucțiunile de încărcare și nu încărcați acumulatorul sau scula în afara intervalului de temperatură specificat în instrucțiuni.** Încărcarea necorespunzătoare sau la temperaturi în afara domeniului specificat poate duce la deteriorarea acumulatorului și la creșterea riscului de incendiu.
- **Nu efectuați niciodată operații de service asupra seturilor de acumulatori deteriorați.** Depanarea acumulatorilor trebuie să fie efectuată numai de producător sau de prestatorii autorizați de servicii.
- Consultați manualul de instrucțiuni al acumulatorului pentru precauții cu privire la acumulatori.

SIMBOLURI PRIVIND SIGURANȚA

⚠️ AVERTISMENT: Exploatarea oricăror scule electrice se poate solda cu ricoșarea de obiecte străine în ochii dumneavoastră, ceea ce se poate solda cu vătămarea gravă a ochilor. Înainte de a începe să utilizați scula electrică, echipați-vă întotdeauna cu ochelari de protecție cu apărători laterale și vizieră pentru față, atunci când este nevoie. Vă recomandăm să purtați o vizieră lată de protecție peste ochelarii de vedere sau ochelari de protecție standard cu apărători laterale.

RO



Citiți și înțelegeți manualul de instrucțiuni



Deșeurile produselor electrice nu trebuie să fie eliminate împreună cu deșeurile menajere. Predați-le unui punct de reciclare autorizat.

IPX5 Grad de protecție împotriva factorilor externi



Curent continuu

V Tensiune

SPECIFICAȚII

Tensiune	56 V
Lungime x Lățime x Înălțime	PU2710/PU2710E: 342 mm x 306 mm x 344 mm PU2710RC: 342 mm x 290 mm x 344 mm
Greutate (fără set de acumulatori)	PU2710/PU2710E: 11,4 kg PU2710RC: 11,5 kg
IP	IPX5
Port de acumulator	Porturi duble
Controlul vitezei	Modurile Eco/Turbo (variație continuă 1200-3600 RPM)
Indicator cu LED de defecțiune	Da
Sistem de răcire	Răcite cu aer
Filtru de aer	Plasa de burete ușor înlocuibilă
Putere netă de ieșire	3,47 kW @ 3450 RPM
Cuplul net maxi.	9,2 N.m @ 3450 RPM
Frână electronică	Da
Arborele cardanic	Orizontal
Rotația arborelui cardanic (din partea arborelui cardanic)	În sens invers acelor de ceasornic
Dimensiunile arborelui cardanic	Consultați Fig. A2
Temperatură de funcționare recomandată	-15°C – 40°C

Temperatură de depozitare recomandată

0°C – 50°C

DESCRIEREA

CUNOAȘTEȚI-VĂ UNITATEA DE ALIMENTARE (Fig. A1)

1. Capacul compartimentului bateriei
2. Mecanism de ejectare
3. Locaș pentru acumulator
4. Buton de eliberare a acumulatorului
5. Buton de blocare
6. Filtru de aer
7. Comutatorul de alimentare
8. Ecran LED*
 - 8-a. Numărul total de ore de funcționare (H)
 - 8-b. Semnul Bluetooth
 - 8-c. Semnul vitezei de rotație
 - 8-d. Semnul nivelului bateriei
 - 8-e. Semn de defecțiune
 - 8-f. Semn de blocare
 - 8-g. Semn de temperatură excesivă
9. Maneta cu variație continuă*
10. Orificiu de cablare/Bloc
11. Bază
12. Arborele cardanic
13. Orificiu de filetare pentru cheie
14. Dispozitivului de eliberare a baterie
15. Cheie (x2)

***NOTĂ:** Cutia panoului de control al comutatorului de alimentare, ecranul LED și maneta variabilă continuu este integrată cu unitatea PU2710/PU2710E, dar este separată de unitatea PU2710RC.

LISTA COMPONENTELOR (FIG. A1)

ASAMBLARE

RO

■ **PU2710**

Nu este necesară asamblarea.

■ **PU2710RC**

Conectați cutia panoului de comandă la unitatea de alimentare (Fig. B1 & B2)

B1-1	Soclu pentru cablu	B1-2	Fișa cablului
B2-1	Capac de capăt	B2-2	Șurub (x4)

■ **PU2710E**

Conectați unitatea cu un comutator sau un altul echivalent (nu este furnizat).

1. Îndepărtați cele șase șuruburi de pe capacul frontal și scoateți capacul frontal (Fig. C1).
2. Există două porturi externe rezervate în interiorul capului de alimentare, slăbiți piulițele (Fig. C2).
3. Îndepărtați blocul, utilizați fire adecvate pentru a conecta unitatea de alimentare și un comutator de pornire sau un altul echivalent. Capătul de conectare trebuie să fie un orificiu terminal și poate fi conectat prin piulițe (Fig. C3).
4. Nu este necesar să înlocuiți blocul și, în final, să înlocuiți capacul frontal (Fig. C4).

C1-1	Șurub (x6)	C2-1	Piuliță și șaibă (x2)
C3-1	Bloc		

FUNCȚIONARE

VERIFICAREA ÎNAINTE DE UTILIZARE

Filteru de aer (Fig. D)

Verificați elementele filtrului de aer pentru a vă asigura că sunt curate și în stare bună.

Curățați sau înlocuiți elementele, dacă este necesar, urmând instrucțiunile din secțiunea „**ÎNTREȚINEREA FILTRULUI DE AER**”.

⚠ ATENȚIE: Nu utilizați niciodată unitatea de alimentare fără filtrul de aer. Va rezulta o uzură rapidă.

ATASARE/DETASARE PACHETULUI DE ACUMULATORI

Folosiți numai cu acumulatorii și încărcătoarele recomandate de EGO (Fig. A3). Pentru o performanță optimă, se recomandă să atașați: 2 x 12Ah, 2 x 10Ah sau cel puțin 2 x 7,5Ah baterii.

Încărcați acumulatorul complet înainte de prima utilizare.

1. **Pentru a atașa bateria**, aliniați nervurile bateriei cu sloturile de ghidare ale unității de alimentare și apăsați bateria până când auziți un „clic” (Fig. E1).
2. **Pentru a detașa pachetul de baterii**, introduceți dispozitivul de eliberare a bateriei în fantă și împingeți-l spre partea dreaptă; apoi bateria va ieși din compartimentul pentru baterii (Fig. E2).

E2-1	Buton de eliberare a acumulatorului
------	-------------------------------------

AVERTISMENT: bateria poate fi detașată numai prin intermediul dispozitivului de eliberare a bateriei.

NOTĂ: Nu lăsați dispozitivul de eliberare a bateriei în fantă, altfel bateria este scoasă pe neașteptate.

PORNIREA UNITĂȚII DE ALIMENTARE (FIG. F)

■ **PU2710/PU2710RC**

1. Introduceți cheia în fanta comutatorului de alimentare și rotiți-o cu 45° în sensul acelor de ceasornic până la poziția **"ON"**, unitatea de alimentare va fi pregătită să funcționeze, deoarece ecranul cu LED-uri și lumina verde a bateriei vor fi aprinse.
2. Rotiți din nou cheia cu 45° în sensul acelor de ceasornic până la poziția **"START"**, unitatea de alimentare începe să funcționeze.

■ **PU2710E**

OBSERVAȚIE: Urmăți întotdeauna pașii de mai jos pentru a porni unitatea de alimentare. Unitatea de alimentare nu a putut porni dacă, comutatorul conectat este pornit înainte de a roti cheia în poziția **„ON”**.

1. Introduceți cheia în slotul comutatorului de alimentare și rotiți-o în poziția **„ON”**. Unitatea de alimentare va fi gata să funcționeze pe măsură ce ecranul LED și lumina verde a acumulatorului se vor aprinde.
2. Porniți comutatorul conectat (nu este furnizat), unitatea de alimentare începe să funcționeze.

OBSERVAȚIE: Cheia nu poate fi scoasă din fanta întrerupătorului atunci când unitatea de alimentare este pregătită de funcționare sau în funcționează.

OPRIREA UNITĂȚII DE ALIMENTARE

■ **PU2710/PU2710RC**

Pentru a opri temporar unitatea de alimentare, rotiți cheia în poziția **"ON"**.

Pentru a opri complet unitatea de alimentare, rotiți cheia în poziția **"OFF"**.

■ **PU2710E**

Pentru a opri temporar unitatea de alimentare, trebuie doar să opriți comutatorul conectat (nu este furnizat).

Pentru a opri complet unitatea de alimentare, rotiți cheia în poziția "OFF".

OBSERVAȚIE: Pentru a preveni pornirea neașteptată, rotiți cheia în poziția "OFF" pentru a opri complet unitatea de alimentare.

REGLAREA VITEZEI (FIG. G)

Rotiți maneta cu variație continuă și utilizați slotul de indicare de pe maneta pentru a vă ajuta să localizați și să alegeți viteza între "ECO" și "TURBO".

OBSERVAȚIE: Viteza poate fi, de asemenea, prestabilită înainte de pornire.

G-1	Slotul de indicare
-----	--------------------

ALIMENTAREA ECHIPAMENTELOR DE ILUMINAT

Această unitate de alimentare poate furniza energie pentru echipamentele de iluminat externe, iar tensiunea este în concordanță cu tensiunea nominală a capului de alimentare.

1. Îndepărtați cele șase șuruburi de pe capacul frontal și scoateți capacul frontal (Fig. H1).
2. Există două perechi de porturi externe rezervate în interiorul unității de alimentare, o pereche din stânga fiind portul de ieșire, iar cea din stânga este negativă și cea din dreapta este pozitivă (cu un semn pozitiv și unul negativ la interfață) (Fig. H2).
3. Îndepărtați blocul și folosiți cabluri adecvate pentru a conecta unitatea de alimentare și echipamentul de iluminat. Capătul de conectare ar trebui să fie un terminal cu bornă și poate fi conectat cu ajutorul unor șuruburi M5 (Fig. H3).
4. Nu este necesar să înlocuiți blocul și, în final, să înlocuiți capacul frontal (Fig. H4).

OBSERVAȚIE: Trebuie conectată o siguranță de cel mult 12A pentru a proteja unitatea de alimentare. Orice deteriorare a produsului cauzată de lipsa conectării unei siguranțe nu este acoperită de garanție.

CONEXIUNE LA COMUTATORUL DE SIGURANȚĂ EXTERN

Un întrerupător de siguranță extern poate fi conectat la unitatea de alimentare, permițând operatorului să oprească unitatea de alimentare în timp util în caz de urgență.



1. Îndepărtați cele șase șuruburi de pe capacul frontal și scoateți capacul frontal (Fig. I1).
2. Există două porturi externe rezervate în interiorul capului de alimentare, utilizați perechea din dreapta.

slăbiți șuruburile și scoateți cablul (Fig. I2).

3. Îndepărtați blocul și conectați unitatea de alimentare cu cabluri adecvate. Capătul de conectare ar trebui să fie un terminal bornă și poate fi conectat cu ajutorul unor șuruburi M5 (Fig. I3).
4. Nu este necesar să înlocuiți blocul și, în final, înlocuiți capacul frontal (Fig. I4).

NOTĂ: Oprirea unității de alimentare prin intermediul unui întrerupător de siguranță extern poate opri doar motorul unității de alimentare și nu poate opri complet unitatea; ceea ce înseamnă că întreaga unitate se află încă în starea de activare. Pentru a reporni unitatea de alimentare, vă rugăm să reluați conexiunea electrică a comutatorului de siguranță extern.

ECRANUL DE AFIȘARE LED

AFIȘAJ	SEMNIIFICAȚIE	ACȚIUNE
	protecția de blocare a rotorului	<ul style="list-style-type: none"> Întrerupeți alimentarea și verificați dacă există blocaje în jurul sarcinii. După curățare, reporniți unitatea de alimentare. Dacă protecția de blocare a rotorului este încă afișată, contactați centrul de service EGO pentru reparații.
	Tensiune scăzută	<ul style="list-style-type: none"> Reîncărcați acumulatorul (bateriile).

03 + 	Acumulatorul este peste temperatură	<ul style="list-style-type: none"> Verificați și curățați filtrul de aer. Lăsați acumulatorul să se răcească până când LED-ul galben încetează să mai clipească sau încercați un acumulator cu o capacitate mai mare.
04 + 	Unitatea de alimentare este peste temperatură	<ul style="list-style-type: none"> Așteptați ca unitatea de alimentare să se răcească. Reduceți volumul de muncă.
05	Protecție la supracurent a plăcii principale	<ul style="list-style-type: none"> Încercați să reduceți volumul de muncă
06	Eroare de comunicare	<ul style="list-style-type: none"> Contactați centrul de service EGO pentru reparații.

ÎNTREȚINEREA

⚠️ AVERTISMENT: Pentru a preveni vătămarea corporală, scoateți acumulatorii înainte de întreținere și curățare a unității.

⚠️ AVERTISMENT: La depanare, utilizați numai piese de schimb identice. Utilizarea oricăror altor piese poate crea un pericol sau poate produce o deteriorare. Pentru siguranța și fiabilitatea produsului, toate reparațiile trebuie efectuate de către un tehnician de service autorizat.

CURĂȚAREA UNITĂȚII DE ALIMENTARE

- Curățați unitatea de alimentare folosind o cârpă

umedă cu detergent delicat. Nu lăsați niciodată lichid să pătrundă în unitatea de alimentare; nu scufundați niciodată o parte a unității de alimentare într-un lichid.

- Nu folosiți detergenți puternici pe carcasa din plastic. Pot fi deteriorate de anumite uleiuri aromatice, cum ar fi pinul și lămâia, și de solvenți precum kerosenul. Umezeala poate cauza un risc de electrocutare. Ștergeți umezeala cu o cârpă moale și uscată.

ÎNTREȚINEREA FILTRULUI DE AER

Îndepărtarea

- Rotiți, în sens invers acelor de ceasornic, butonul de blocare conform ilustrației pictogramei și scoateți filtrul de aer direct (Fig. J1).

J1-1	Buton de blocare
------	------------------

- Se recomandă utilizarea pistolului cu aer cu suflare, pentru a curăța filtrul cu plasă de burete la nevoie sau înlocuiți direct unul nou, dacă este necesar (Fig. J2).

J2-1	Capacul filtrului de aer	J2-2	Plasa burete
------	--------------------------	------	--------------

Instalarea

- Așezați plasa burete în capacul filtrului de aer. Asigurați-vă că toate părțile sunt așezate plat fără cocoșe (Fig. J3).
- Așezați filtrul de aer în unitatea de alimentare în mod corespunzător.
- Apăsăți și rotiți butonul de blocare în sensul acelor de ceasornic pentru a bloca filtrul de aer în poziție (Fig. J4).

RO

TRANSPORTAREA/ DEPOZITAREA

TRANSPORTAREA UNITĂȚII DE ALIMENTARE

⚠️ ATENȚIE: În cazul deteriorării unității de alimentare, nu lăsați niciodată să se lovească arborele cardanic sau să lăsați forța să împingă arborele cardanic (Fig. K).

DEPOZITAREA UNITĂȚII DE ALIMENTARE

- Detașați setul de acumulatori din unitatea de alimentare.
- Curățați bine unitatea de alimentare înainte de a o depozita.
- Depozitați unitatea de alimentare într-un loc uscat, bine aerisit, inaccesibil copiilor. Nu depozitați unitatea de alimentare peste sau lângă îngrășăminte, benzină sau alte substanțe chimice.

PROTEJÂND MEDIUL ÎNCONJURĂTOR



Nu eliminați echipamentul electric, acumulatorul epuizat și încărcătorul de acumulator împreună cu deșeurile menajere! Predați acest produs unui punct de reciclare autorizat sau puneți-l la dispoziția colectării separate. Sculele electrice trebuie returnate unui centru de reciclare ecologic.

RO

DEPANARE

PROBLEMĂ	CAUZĂ	SOLUȚIE
Unitatea de alimentare nu pornește.	<ul style="list-style-type: none"> ▪ Pentru PU2710/PU2710RC, comutatorul de alimentare nu este comutat în poziția „START”. ▪ Pentru PU2710E, comutatorul conectat este pornit înainte de a roti cheia în poziția „ON”. ▪ Acumulatorul (bateriile) nu este cuplat în compartimentul pentru baterii. ▪ Alte cauze neidentificate. 	<ul style="list-style-type: none"> ▪ Rotiți întrerupătorul în poziția „START”. ▪ Rotiți întotdeauna cheia în poziția „ON” mai întâi, apoi porniți comutatorul conectat. ▪ Atașați acumulatorul (bateriile) în compartimentul pentru baterii și apăsați-l până când auziți un „clic”. ▪ Contactați un tehnician de service calificat pentru reparații.
Unitatea de alimentare nu mai funcționează.	<ul style="list-style-type: none"> ▪ Acumulatorul (bateriile) este epuizat. ▪ Unitatea de alimentare este supraîncăcată. ▪ Acumulatorul este peste temperatură. ▪ Unitatea de putere este peste temperatură. ▪ Alte cauze neidentificate. 	<ul style="list-style-type: none"> ▪ Încărcați acumulatorul. ▪ Reduceți sarcina de lucru. ▪ Reduceți sarcina de lucru sau înlocuiți-le cu acumulatorul (bateriile) de capacitate mai mare. ▪ Evitați utilizarea acumulatorului (bateriilor) în medii cu temperatură ridicată. ▪ Verificați și curățați filtrul de aer. ▪ Reduceți sarcina și evitați utilizarea unității de alimentare în medii cu temperatură ridicată. ▪ Contactați un tehnician de service calificat pentru reparații.
Viteza nu se modifică atunci când se rotește maneta cu variație continuă.	<ul style="list-style-type: none"> ▪ Dacă mediul înconjurător este prea zgomotos, este dificil să recunoaștem modificările. ▪ Defecțiuni neidentificate. 	<ul style="list-style-type: none"> ▪ Opriți unitatea de alimentare și reglați din nou viteza. Măsurați diferența de viteză pentru a verifica dacă este necesar. ▪ Contactați serviciul clienți EGO pentru reparații.
Viteza scade automat atunci când suferă o încărcătură mare continuă și se menține la un nivel redus de viteză, care ar putea fi identificat prin sunetul de rulare.	<ul style="list-style-type: none"> ▪ Unitatea de alimentare are o funcție de reglare automată pentru protecția la suprasarcină. 	<ul style="list-style-type: none"> ▪ Reduceți sarcina în funcție de situația reală, iar apoi unitatea de alimentare revine la starea de viteză maximă.

RO

GARANȚIE

POLITICA PRIVIND GARAȚIA EGO

Vă rugăm să consultați site-ul poweredbyego.com pentru termenii și condițiile complete ale politicii privind garanția EGO.

VARNOSTNA NAVODILA

⚠ OPOZORILO: Preberite vsa varnostna opozorila, navodila, slike in tehnične podatke, ki so priloženi temu orodju. Zaradi neupoštevanja spodaj navedenih navodil lahko pride do električnega udara, požara in/ali hudih telesnih poškodb.

VSA OPOZORILA IN NAVODILA SHRANITE ZA KASNEJŠO UPORABO.

- **Delovno območje naj bo čisto in dobro osvetljeno.**
Na neurejenih ali temnih območjih se hitro zgodijo nesreče.
- **Pogonske enote ne upravljajte v eksplozivnih okoljih, na primer ob prisotnosti vnetljivih tekočin, plinov ali prahu.**
- Zaradi motenj lahko izgubite nadzor.
- **Vtičnica (če jo uporabljate) se mora ujemati z vtičem. Vtičnice in vtiča ni dovoljeno kakorkoli spreminjati.** Nespremenjeni vtiči in pripadajoče vtičnice bodo zmanjšali tveganje električnega udara.
- **Med uporabo pogonske enote bodite pozorni, spremljajte potek dela in uporabljajte zdrav razum. Pogonske enote ne uporabljajte, kadar ste utrujeni ali pod vplivom drog, alkohola ali zdravil.** Trenutek nepazljivosti med uporabo pogonske enote lahko povzroči resne telesne poškodbe.
- **Uporabljajte osebno varovalno opremo.** Če v različnih okoliščinah nosite ustrezno varovalno opremo, kot so maska proti prahu, obutev z nedrsečim podplatom, trdno pokrivalo glave in zaščita za sluh, zmanjšate možnost telesnih poškodb.
- **Bodite primerno oblečeni. Ne nosite ohlapnih oblačil ali nakita. Pazite, da lasje in oblačila ne pridejo v bližino gibljivih delov.** Ohlapna oblačila, nakit ali dolgi lasje se lahko zapletejo v gibljive dele.
- **Čeprav dobro poznate orodje zaradi pogoste uporabe, ne postanite ravnodušni in ne prezrite varnostnih načel orodja.** Nepazljivost pri uporabi lahko povzroči hude telesne poškodbe v delcu sekunde.



Uporabniški priročnik morate prebrati in razumeti.

IPX5 Stopnja zaščite pred vdorom

V Napetost

- **Pogonsko enoto naj servisira usposobljeno servisno osebje, ki uporablja le enake nadomestne dele.** To bo zagotovilo, da bo ostala pogonska enota varna.
- **Vedno bodite še posebej pozorni, če zažene pogonsko enoto, ne da bi jo v celoti namestili na orodje.**
- **Akumulatorskega sklopa ali orodja, ki je poškodovano ali spremenjeno, ne uporabljajte.** Poškodovani ali spremenjeni akumulatorji lahko nepredvidljivo delujejo, zaradi česar lahko pride do požara, eksplozije ali nevarnosti telesnih poškodb.
- **Akumulatorskega sklopa ali orodja ne izpostavljajte ognju ali previsokim temperaturam.** Izpostavljenost ognju ali temperaturam nad 130 °C lahko povzroči eksplozijo.
- **Upoštevajte vsa navodila za polnjenje in akumulatorskega sklopa ali orodja ne polnite izven temperaturnega razpona, navedenega v navodilih.** Zaradi nepravilnega polnjenja ali temperature zunaj navedenega razpona lahko pride do poškodb baterije in povečanega tveganja za požar.
- **Nikoli ne popravljajte poškodovanih baterijskih sklopov.** Baterijske sklope lahko popravi le proizvajalec ali pooblaščen izvajalec servisiranja.
- Glede varnostnih navodil za akumulatorske baterije si oglejte navodila za uporabo baterijskih sklopov.

VARNOSTNI SIMBOLI

⚠ OPOZORILO: Delovanje katerega koli električnega orodja lahko povzroči metanje tujkov v vaše oči, kar lahko povzroči resne poškodbe očesa. Pred začetkom dela z električnim orodjem vedno nosite zaščitna očala ali varnostna očala s stranskimi zaščitami in po potrebi tudi ščit za celoten obraz. Priporočamo vam uporabo varnostne maske Wide Vision Safety Mask za uporabo preko očal ali standardnih varnostnih očal s stransko zaščito.



Odpadnih električnih izdelkov ne odlagajte med gospodinske odpadke. Odnosite jih v pooblaščen obrat za recikliranje.



Enosmerni tok

TEHNIČNE ZNAČILNOSTI

Napetost	56 V $\overline{\text{---}}$
Dolžina x širina x višina	PU2710/PU2710E: 342 mm x 306 mm x 344 mm PU2710RC: 342 mm x 290 mm x 344 mm
Teža (brez baterijskega sklopa)	PU2710/PU2710E: 11,4 kg PU2710RC: 11,5 kg
IP	IPX5
Vrata za baterijo	Dvoje vrat
Regulator hitrosti	Načina Eco/Turbo (neprekinjeno spremenljiva 1200–3600 vrt./min.)
Indikator LED napake	Da
Hladilni sistem	Zračno hlajenje
Čistilec zraka	Gobasta mreža, enostavna zamenjava
Neto izhodna moč	3,47 KW pri 3450 vrt./min.
Maks. neto navor	9,2 Nm pri 3450 vrt./min.
Elektronska zavora	Da
Gred PTO	Vodoravno
Vrtenje gredi PTO (s strani gredi PTO)	V nasprotni smeri urinega kazalca
Mere gredi PTO	Glejte sl. A2
Priporočena obratovalna temperatura	OD -15°C DO 40°C
Priporočena temperatura za shranjevanje	OD 0°C DO 50°C

OPIS

SPOZNAJTE SVOJO POGONSKO ENOTO (sl. A1)

1. Pokrov prostora za baterijo
2. Mehанизem za izmet
3. Omara za baterije
4. Reža za sprostitve baterije
5. Gumb za zaklep
6. Čistilec zraka

7. Stikalo za vklop
8. Zaslon LED*
 - 8-a. Skupno število ur delovanja (H)
 - 8-b. Znak Bluetooth
 - 8-c. Znak za vrtilno hitrost
 - 8-d. Znak za stanje napolnjenosti baterije
 - 8-e. Znak za okvaro
 - 8-f. Znak za blokado
 - 8-g. Znak za prekomerno temperaturo
9. Brezstopenjska ročica*
10. Odprtina za ožičenje/blok
11. Podnožje
12. Gred PTO
13. Navojna odprtina za ključ
14. Sprostitev baterije
15. Ključ (x2)

***OPOMBA:** Nadzorna plošča s stikalom za vklop, zaslonom LED in brezstopenjsko nastavljivo ročico je integrirana v enoto PU2710/PU2710E, vendar je ločena od enote PU2710RC.

VSEBINA PAKETA (SL. A1)

MONTAŽA

■ PU2710

Montaža ni potrebna.

■ PU2710RC

Povežite škatlo nadzorne plošče z napajalno enoto (sliki B1 in B2)

B1-1	vtičnica za kabel	B1-2	vtič za kabel
B2-1	končni pokrov	B2-2	vijak (x4)

■ PU2710E

Enoto povežite s stikalom ali drugim enakovrednim pripomočkom (ni priložen).

1. S sprednjega pokrova odstranite šest vijakov in odstranite sprednji pokrov (sl. C1).
2. V električni glavi sta rezervirana dva zunanja priključka, sprostite matici (sl. C2).
3. Odstranite blok, z ustreznimi žicami povežite napajalno enoto in zagonsko stikalo ali drugo enakovredno napravo. Povezovalni konec mora biti priključno uho, ki ga je mogoče povezati prek matic (sl. C3).
4. Bloka ni treba zamenjati. Na koncu namestite sprednji pokrov (sl. C4)."

SL

C1-1	Vijak (x6)	C2-1	Matica in podložka (x2)
C3-1	Blok		

DELOVANJE

PREVERJANJE PRED ZAGONOM

Čistilnik zraka (sl. D)

Preverite elemente čistilnika zraka in se prepričajte, da so čisti ter v dobrem stanju.

Po potrebi očistite ali zamenjajte elemente v skladu z navodili iz razdelka **"SERVIS ČISTILNIKA ZRAKA"**.

⚠ POZOR: Pogonske enote nikoli ne zaženite brez čistilnika zraka. Posledično bo prišlo do hitre obrabe.

NAMESTITEV/ODSTRANITEV BATERIJSKEGA SKLOPA

Uporabljajte samo priporočene baterijske sklope in polnilnike EGO (sl. A3). Za optimalno delovanje je priporočljivo, da uporabite: baterije 2 x 12 Ah, 2 x 10 Ah ali najmanj 2 x 7,5 Ah.

Pred prvo uporabo popolnoma napolnite baterijski sklop

1. **Baterijski sklop** namestite tako, da poravnate rebra baterije z vodilnimi režami pogonske enote in potisnete baterijski sklop navzdol, da zaslišite »klik« (sl. E1).
2. **Če želite odklopiti baterijski paket**, vstavite element za sprostitve baterije v režo in ga potisnite proti desni strani; nato bo baterija črpala energijo iz prostora za baterije (sl. E2).

E2-1	Reža za sprostitve baterije
------	-----------------------------

OPOMBA: baterijo lahko odklopite le prek elementa za sprostitve baterije.

OPOMBA: Elementa za sprostitve baterije ne puščajte v režo, če bi morali baterijo nepričakovano odstraniti.

ZAGON POGONSKE ENOTE (SL. F)

■ PU2710/PU2710RC

1. Vstavite ključ v stikalo za vklop in ga obrnite za 45° v smeri urinega kazalca na položaj **"ON"** (Vklop). Pogonska enota bo pripravljena za delo, saj bosta zaslon LED in zelena luč baterijskega sklopa vklopljena.
2. Znova obrnite ključ za 45° v smeri urinega kazalca na položaj **"START"** (Zagon), da začne pogonska enota delovati.

■ PU2710E

OPOMBA: Vedno upoštevajte spodnje korake za zagon napajalne enote. Napajalna enota se ne more zagnati, če je priključeno stikalo vklopljeno, preden je ključ obrnjen v položaj **"ON"** (Vklop).

1. Vstavite ključ v režo stikala za vklop in ga obrnite v položaj **"ON"** (Vklop). Napajalna enota bo pripravljena za delovanje, ko se prižgeta zaslon LED in zelena lučka akumulatorja.
2. Vključite priključeno stikalo (ni priloženo), napajalna enota začne delovati.

OPOMBA: Ključa ni mogoče izvleči iz reže stikala, ko je pogonska enota pripravljena za delovanje ali deluje.

ZAUSTAVITEV POGONSKE ENOTE

■ PU2710/PU2710RC

Za začasno ustavitev pogonske enote, preprosto obrnite ključ na položaj **"ON"** (Vklop).

Če želite popolnoma zaustaviti pogonsko enoto, obrnite ključ na položaj **"OFF"** (Izklop).

OPOMBA: Če želite preprečiti nepričakovan zagon, obrnite ključ na položaj **"OFF"** (Izklop) in tako popolnoma izklopite pogonsko enoto.

■ PU2710E

Če želite začasno ustaviti napajalno enoto, izklopite priključeno stikalo (ni priloženo).

Če želite popolnoma zaustaviti pogonsko enoto, obrnite ključ na položaj **"OFF"** (Izklop).

PRILAGODITEV HITROSTI (SL. G)

Obrnite brezstopenjsko ročico in s pomočjo indikatorke reže na ročici poiščite in izberite hitrost med načinoma **"ECO"** in **"TURBO"**.

OPOMBA: Hitrost je lahko vnaprej nastavljena že pred zagonom.

G-1	Indikatorska reža
-----	-------------------

NAPAJANJE OPREME ZA RAZSVETLJAVO

Ta pogonska enota lahko napaja zunanjo opremo za razsvetljavo, napetost pa je skladna z nazivno napetostjo pogonske enote.

1. S sprednjega pokrova odstranite šest vijakov in odstranite sprednji pokrov (sl. H1).
2. V napajalni enoti sta rezervirana dva para zunanjih vrat, pri čemer en par na levi strani predstavlja

izhodna vrata, leva vrata so negativna, desna pa pozitivna (s pozitivnim in negativnim znakom na vmesniku) (sl. H2).

3. Odstranite blok in uporabite ustrezne žice za priključitev pogonske enote in opreme za razsvetljavo. Povezovalni konec mora biti priključno uho in ga je mogoče povezati prek vijakov M5 (sl. H3).
4. Bloka ni treba zamenjati. Na koncu zamenjajte sprednji pokrov (sl. H4).

OPOMBA: Za zaščito pogonske enote je treba priključiti varovalko z močjo do največ 12 A. Garancija ne krije nobene poškodbe, ki nastane zaradi nepriključene varovalke.

PRIKLJUČITEV NA ZUNANJO VARNSTNO STIKALO

Na pogonsko enoto je mogoče priključiti zunanje varnostno stikalo, ki upravljavcu omogoča pravočasno zaustavitev pogonske enote v primeru izrednih razmer.

1. S sprednjega pokrova odstranite šest vijakov in odstranite sprednji pokrov (sl. I1).
2. V pogonski enoti je rezerviranih dvoje vrat, uporabite par na desni strani. Odvijte vijake in odstranite žico (sl. I2).
3. Odstranite blok in priključite pogonsko enoto s primernimi žicami. Povezovalni konec mora biti priključno uho, ki ga je mogoče povezati prek vijakov M5 (sl. I3).
4. Bloka ni treba zamenjati. Na koncu zamenjajte sprednji pokrov (sl. I4).

OPOMBA: Z zaustavitvijo pogonske enote prek zunanjega varnostnega stikala lahko ustavite samo motor pogonske enote in ne morete popolnoma izklopiti enote; to pomeni, da se celotna enota še vedno napaja. Če želite ponovno zagnati pogonsko enoto, obnovite električno priključitev zunanjega varnostnega stikala.

PRIKAZ ZASLONA LED

ZASLON	POMEN	UKREP
	zaščita rotorja z zaklepanjem	<ul style="list-style-type: none"> Izklopite napajanje in preverite morebitne blokade. Po čiščenju znova zaženite pogonsko enoto. Če se zaščita rotorja z zaklepanjem še vedno prikaže, se obrnite na servisni center EGO za popravilo.
	Nizka napetost	<ul style="list-style-type: none"> Napolnite baterijski sklop oz. baterijske sklope.
	Baterijski sklop se pregreva	<ul style="list-style-type: none"> Preverite in očistite čistilnik zraka. Počakajte, da se baterija ohladi, da rumena lučka LED preneha utripati ali poskusite z baterijskimi sklopi z večjo zmogljivostjo.
	Pogonska enota se pregreva	<ul style="list-style-type: none"> Počakajte, da se pogonska enota ohladi. Zmanjšajte delovno obremenitev.

SL

	Nadtokovna zaščita glavne plošče	<ul style="list-style-type: none"> ▪ Poskusite zmanjšati delovno obremenitev
	Napaka v komunikaciji	<ul style="list-style-type: none"> ▪ Za popravilo stopite v stik servisnim centrom EGO.

VZDRŽEVANJE

⚠ OPOZORILO: Da preprečite telesne poškodbe, pred servisiranjem in čiščenjem odstranite baterijski sklop.

⚠ OPOZORILO: Za popravila uporabljajte samo identične nadomestne dele. Uporaba drugih delov je tvegana in lahko poškoduje izdelek. Za zagotovitev varnosti in zanesljivosti mora vsa popravila izvesti usposobljen servisni tehnik.

ČIŠČENJE POGONSKE ENOTE

- Pogonsko enoto očistite z vlažno krpo in blagim detergentom. Ne dovolite, da bi tekočina zašla v pogonsko enoto. Nobenega dela pogonske enote nikoli ne potopite v katero koli tekočino.
- Za čiščenje plastičnega ohišja ne uporabljajte močnih čistilnih sredstev. Poškodujejo jih lahko določena aromatična olja, kot sta olje bora in limone, ter topila, kot je kerozin. Vlaga prav tako lahko ustvari nevarnost električnega udara. Vlago obrišite z mehko in suho krpo.

SERVIS ČISTILNIKA ZRAKA

Odstranitev

1. Gumb za zaklep obrnite v nasprotni smeri urinega kazalca, kot kaže slika ikone na gumbu, in odstranite čistilnik zraka (sl. J1).

J1-1	Gumb za zaklep
------	----------------

2. Priporočamo, da s pihanjem iz zračne pištole po potrebi očistite gobasto mrežo filtra ali pa jo neposredno zamenjate z novo (sl. I2).

J2-1	Pokrov čistilnika zraka	J2-2	Gobasta mreža
------	-------------------------	------	---------------

Namestitev

1. Gobasto mrežo vstavite v pokrov čistilnika zraka. Prepričajte se, da so vse strani poravnane in ni nobenih izboklin (sl. J3).
2. Pravilno namestite čistilnik zraka na pogonsko enoto.
3. Pritisnite gumb za zaklep in ga obrnite v smeri urinega kazalca, da zaklenete čistilnik zraka na njegovo mesto (sl. J4).

PREVOZ/SHRANJEVANJE

PREVAŽANJE POGONSKE ENOTE

⚠ POZOR: Če pride do poškodbe pogonske enote, preprečite trčenje gredi PTO ali pritisk sile v gred PTO (sl. K).

SKLADIŠČENJE POGONSKE ENOTE

- Baterijski sklop odstranite iz pogonske enote.
- Pred skladiščenjem pogonsko enoto temeljito očistite.
- Pogonsko enoto shranjujte v suhem in dobro zračenem prostoru, izven dosega otrok. Pogonske enote ne shranjujte na ali v bližini gnojil, bencina ali drugih kemikalij.

VAROVANJE OKOLJA



Električne opreme, rabljene baterije in polnilnika ne odvrzite med gospodinjinske odpadke. Izdelek odnesite na pooblaščen obrat za recikliranje in ga zavrzite ločeno. Električna orodja je treba odnesti na obrat za recikliranje in ga reciklirati na okolju prijazen način.

ODPRAVLJANJE TEŽAV

TEŽAVA	VZROK	REŠITEV
Pogonska enota se ne zažene.	<ul style="list-style-type: none"> Pri enotah PU2710/PU2710RC stikalo za vklop ni prestavljeno v položaj "START". Pri enoti PU2710E se priključeno stikalo vklopi, preden ključ obrnete v položaj "ON" (Vklop). Baterijski sklopi niso nameščeni pravilno v prostoru za baterije. Drugi neznani vzroki. 	<ul style="list-style-type: none"> Obrnite stikalo v položaj "START" (Zagon). Vedno najprej obrnite ključ v položaj "ON" (Vklop), nato pa vklopite priključeno stikalo. Namestite baterijske sklope v prostor za baterijo in pritisnite nanje, da zaslišite »klik«. Za popravilo se obrnite na strokovno usposobljenega serviserja.
Pogonska enota preneha delovati.	<ul style="list-style-type: none"> Baterijski sklopi so izpraznjeni. Pogonska enota je preobremenjena. Baterijski sklopi se pregreva. Pogonska enota se pregreva. Drugi neznani vzroki. 	<ul style="list-style-type: none"> Napolnite baterijske sklope. Zmanjšajte delovno obremenitev. Zmanjšajte delovno obremenitev ali zamenjajte z baterijskimi sklopi z večjo zmogljivostjo. Izogibajte se uporabi baterijskih sklopov v okoljih z visoko temperaturo. Preverite in očistite čistilnik zraka. Zmanjšajte obremenitev in se izogibajte uporabi pogonske enote v okoljih z visoko temperaturo. Za popravilo se obrnite na strokovno usposobljenega serviserja.
Pri obračanju brezstopenjske ročice se hitrost ne spreminja.	<ul style="list-style-type: none"> Če je okolica preveč hrupna, boste težko zaznali spremembe. Neznani vzroki. 	<ul style="list-style-type: none"> Zaustavite pogonsko enoto in znova nastavite hitrost. Za nadaljnji pregled po potrebi izmerite razliko v hitrosti. Za popravilo se obrnite na podporo za kupce EGO.
Hitrost se samodejno zmanjša, če je enota pod stalno močno obremenitvijo, in ostane nizka, kar je mogoče zaznati na podlagi zvoka delovanja.	<ul style="list-style-type: none"> Pogonska enota ima funkcijo samodejnega prilagajanja za zaščito pred preobremenitvijo. 	<ul style="list-style-type: none"> Zmanjšajte obremenitev v skladu s trenutno situacijo in pogonska enota bo znova delovala s polno hitrostjo.

SL

GARANCIJA

GARANCIJSKA POLITIKA DRUŽBE EGO

Za popolne pogoje garancijske politike družbe EGO obiščite spletno mesto poweredbyego.com.

SAUGOS NURODYMAI

⚠ ĮSPĖJIMAS: perskaitykite ir peržiūrėkite visus su šiuo maitinimo įrenginiu pateiktus saugos nurodymus, instrukcijas, paveikslus ir specifikacijas. Nesilaikant visų toliau išdėstytų nurodymų galima patirti elektros smūgį, sukelti gaisrą ir (ar) sunkiai susižaloti.

ĮŠSAUGOKITE VISAS INSTRUKCIJAS SU ĮSPĖJIMAIS, NES JŲ GALI PRIREIKTI ATEITYJE.

- Darbo vieta turi būti švari ir gerai apšviesta. Jei darbo vieta netvarkinga ar blogai apšviesta, gali įvykti nelaimingas atsitikimas.
- Nedirbkite su maitinimo įrenginiu sprogoje aplinkoje, pavyzdžiui, ten, kur yra degių skysčių, dujų arba dulkių.
- Dėl dėmesio blaškymo galite nesuvaldyti įrankio.
- Elektros lizdas (jei taikoma) turi tikti kištukui. Niekada jokiu būdu nebandykite perdaryti kištukinio lizdo ir kištuko. Originalūs kištukai, tiksliai tinkantys elektros lizdai, sumažina elektros smūgio pavojų.
- Dirbdami su maitinimo įrenginiu būkite budrūs, stebėkite, ką darote, ir vadovaukitės sveika nuovoka. Nenaudokite maitinimo įrenginio, jei esate pavargę arba vartojote narkotikus, alkoholį ar medikamentus. Neatidžiai dirbdami su maitinimo įrenginiu galite sunkiai susižaloti.
- Naudokite asmeninės apsaugos priemones. Darbo tam tikromis sąlygomis metu naudojant asmeninės apsaugos priemones, pvz., apsaugos nuo dulkių kaukę, neslystančius batus, apsauginį šalmą ar klausos apsaugos priemones, sumažėja pavojus susižaloti.
- Dėvėkite tinkamus drabužius. Nedėvėkite laisvų drabužių ir nenešiokite laisvai kabančių papuošalų. Saugokite savo plaukus ir drabužius nuo judančių dalių. Laisvus drabužius, papuošalus ar ilgus plaukus gali įtraukti besisukančios dalys.
- Dažnai naudodami įrankius pernelyg savimi nepasitikėkite ir nepraraskite budrumo, kad paisytumėte saugaus įrankio naudojimo taisyklių. Užtenka akimirkos išsiblašymo, kad dėl neatsargaus veiksmo sunkiai susižalotumėte.

- Maitinimo įrenginio techninės priežiūros darbus gali vykdyti tik kvalifikuotas remonto meistras, naudodamas tik identiškas atsargines dalis. Tokiu būdu maitinimo įrenginys išliks saugus.
- Visada būkite ypač atsargūs, jei elektrinį įrenginį paleidžiate nepritvirtinę prie įrankio.
- Nenaudokite pažeistos ar modifikuotos sudėtinės baterijos ar įrankio. Tokios netinkamos sudėtinės baterijos gali kelti gaisro, sprogmio ar sužalojimo pavojų.
- Sudėtinės baterijos ar įrankio negalima deginti ar kaitinti. Bateriją deginant ar įkaitinus virš 130 °C ji gali sprogti.
- Laikykitės įrankio ar sudėtinės baterijos įkrovimo instrukcijų ir įkrovimą vykdykite nurodytame temperatūrų diapazone. Priešingu atveju galite sugadinti sudėtinę bateriją ar net sukelti gaisrą.
- Niekada neremontuokite sugadintos sudėtinės baterijos. Tokias baterijas remontuoti gali tik gamintojas arba įgalioto techninės priežiūros centro specialistai.
- Sudėtinųjų baterijų atsargumo priemones rasite baterijų instrukcijose.

SAUGOS SIMBOLIAI

⚠ ĮSPĖJIMAS: bet koks elektrinis įrankis naudojimo metu gali išsviesti šiukšles, kurios gali pataikyti į akis ir sunkiai jas sužaloti. Prieš pradėdami naudoti elektrinį įrankį, visada užsidėkite apsauginius akinius arba apsauginius akinius su šonine apsauga ir, jei reikia, visą veidą dengiantį skydelį. Rekomenduojame naudoti platų matymo lauką užtikrinančią apsauginę kaukę, dedamą ant akinių, arba standartinius apsauginius akinius su šonine apsauga.



Perskaityti ir suprasti naudotojo instrukciją



Netinkamus naudoti elektrinius įrankius draudžiama išmesti kartu su buitinėmis atliekomis. Pristatyti įgaliotam perdirbėjui.

IPX5 Apsaugos klasė

Nuolatinė srovė

V Įtampa

SPECIFIKACIJOS

Įtampa	56 V
Ilgis x Plotis x Aukštis	PU2710/PU2710E: 342 mm x 306 mm x 344 mm PU2710RC: 342 mm x 290 mm x 344 mm
Svoris (be sudėtinės baterijos)	PU2710/PU2710E: 11,4 kg PU2710RC: 11,5 kg
IP	IPX5
Baterijos jungtis	Dvi jungtys
Greičio valdymas	„Eco“ / „Turbo“ režimai (tolygiai reguliuojami 1200–3600 suk./min.)
Gedimų LED indikatorius	Taip
Aušinimo sistema	Aušinimas oru
Oro filtras	Lengvai pakeičiama kempinė
Maitinimo išvestis	3,47 kW @ 3450 suk./min.
Maks. sukimo momentas	9,2 Nm @ 3450 suk./min.
Elektroninis stabdys	Taip
Galios perdavimo velenas	Horizontalus
Galios perdavimo veleno sukimosi kryptis (nuo veleno pusės)	Prieš laikrodžio rodyklę
Galios perdavimo veleno matmenys	Žr. A2 pav.
Rekomenduojama darbinė temperatūra	-15°C – 40°C

Rekomenduojama laikymo temperatūra

0°C – 50°C

APRAŠYMAS

MAITINIMO ĮRENGINIO DALYS (A1 pav.)

- Baterijų skyriaus dangtelis
- Išstūmimo mechanizmas
- Baterijų fiksatorius
- Baterijų atjungimo plyšys
- Fiksavimo rankenėlė
- Oro filtras
- Maitinimo jungiklis
- LED ekranas*
 - Bendras darbo valandų skaičius (H)
 - „Bluetooth“ simbolis
 - Sukimosi greičio ženklas
 - Baterijų įkrovos lygio ženklas
 - Gedimo ženklas
 - Blokavimo ženklas
 - Perkaitimo ženklas
- Tolygaus reguliavimo svirtis*
- Laidų anga / blokas
- Pagrindas
- Galios perdavimo velenas
- Rakto pakabinimo anga
- Baterijų atjungimo kaištis
- Raktas (2 vnt.)

*PASTABA: Valdymo skydelis su maitinimo jungikliu, LED ekranas ir tolygiai reguliuojama svirtis yra integruoti PU2710/PU2710E įrenginyje, tačiau jie yra atskirti nuo PU2710RC įrenginio.

PAKUOTĖS TURINIO SĄRAŠAS (A1 PAV.)

SURINKIMAS

- PU2710

LT

Surinkti nereikia.

■ PU2710RC

Prijunkite valdymo skydelį prie maitinimo įrenginio (B1 ir B2 pav.)

B1-1	Kabelio lizdas	B1-2	Kabelio kištukas
B2-1	Galinis dangtelis	B2-2	Varžtai (4 vnt.)

■ PU2710E

Prijunkite įrenginį komutatoriumi ar kitu atitikmeniu (nepriedamas).

1. Išsukite šešis priekinio dangtelio varžtus ir nuimkite priekinį dangtelį (C1 pav.).
2. Maitinimo galvutės viduje yra dvi išorinės angos, atlaisvinkite veržles (C2 pav.).
3. Nuimkite blokelį, naudokite tinkamus laidus, kad prijungtumėte maitinimo bloką ir paleidimo jungiklį ar kitą atitikmenį. Jungiamųjų laidų galai turi būti su kontaktinėmis kilpomis ir gali būti priveržti veržlėmis (C3 pav.).
4. Vėl pritvirtinkite priekinį dangtelį, neuždėdami atgal blokelių (C4 pav.).

C1-1	Varžtas (x6)	C2-1	Veržlė ir poveržlė (x2)
C3-1	Blokelis		

VEIKIMAS

LT

PATIKRA PRIEŠ DARBĄ

Oro filtras (D pav.)

Patikrinkite oro filtro elementus, ar jie švarūs ir nepažeisti.

Jei reikia, oro filtro elementus išvalykite ar pakeiskite pagal nurodymus skyriuje „ORO FILTRO PRIEŽIŪRA“.

⚠ DĖMESIO: niekada nebandykite dirbti su maitinimo įrenginiu be oro filtro. Įrenginys greitai susidėvės.

SUDĖTINĖS BATERIJOS PRIJUNGIMAS IR ATJUNGIMAS

Naudokite tik rekomenduojamas EGO sudėtines baterijas ir įkroviklius (A3 pav.). Kad įrenginys optimaliai veiktų, rekomenduojama naudoti: 2 x 12 Ah, 2 x 10 Ah ar bent 2 x 7,5 Ah baterijas.

Prieš naudodami pirmą kartą iki galo įkraukite

1. **Jei sudėtinę bateriją norite prijungti**, įtaikykite jos briaunas į maitinimo įrenginio kreipiamuosius griovelius ir spauskite bateriją žemyn, kol išgirsite

spragtelėjimą (E1 pav.).

2. **Jei sudėtinę bateriją norite atjungti**, įstatykite baterijų atjungimo kaištį į plyšį ir pastumkite į dešinę pusę – tuomet baterija iššoks iš baterijų skyriaus (E2 pav.).

E2-1	Baterijų atjungimo plyšys
------	---------------------------

PASTABA: baterijas galima atjungti tik su atjungimo kaiščiu.

PASTABA: nepalikite baterijų atjungimo kaiščio įstatyto į plyšį, nes baterija gali netikėtai atsijungti.

MAITINIMO ĮRENGINIO PALEIDIMAS (F PAV.)

■ PU2710/PU2710RC

1. Įkiškite raktą Maitinimo jungiklis ir pasukite 45° pagal laikrodžio rodyklę į **ON** padėtį: maitinimo įrenginys įsijungs ir bus paruoštas darbui, kai užsizišės LED ekranas ir žalias sudėtinės baterijos indikatorius.
2. Pasukite raktą pagal laikrodžio rodyklę dar 45° kampū į **START** padėtį: maitinimo įrenginys pradės veikti.

■ PU2710E

PASTABA. Visada atlikite žemiau nurodytus veiksmus, kad įjungtumėte maitinimo bloką. Maitinimo blokas negalės įsijungti, jei prijungtas komutatorius įjungiamas prieš pasukant raktelį į padėtį **ON**.

1. Įkiškite raktelį į maitinimo jungiklio lizdą ir pasukite jį į **ON** padėtį. Maitinimo blokas bus paruoštas darbui, kai užsidišės LED ekranas ir žalia akumulatoriaus lempuė.
2. Įjunkite prijungtą komutatorių (nepriedamas), maitinimo blokas pradės veikti.

PASTABA: rakto negalima ištraukti iš jungiklio angos, kai maitinimo įrenginys yra paruoštas darbui arba veikia.

MAITINIMO ĮRENGINIO SUSTABDYMAS

■ PU2710/PU2710RC

Laikinaai sustabdyti maitinimo bloką, tiesiog pasukite raktą į **ON** padėtį.

Jei maitinimo įrenginį norite visiškai išjungti, pasukite raktą į **OFF** padėtį.

■ PU2710E

Norėdami laikinaai sustabdyti maitinimo bloką, tiesiog išjunkite prijungtą komutatorių (nepriedamas).

Jei maitinimo įrenginį norite visiškai išjungti, pasukite raktelį į „OFF“ padėtį.”

PASTABA: kad įrenginys nepradėtų netikėtai veikti, jį išjunkite, pasukdami raktą į OFF padėtį.

GREIČIO REGULIAVIMAS (G PAV.)

Sukite tolygaus reguliavimo svirtį ir pagal indikacijos griovelį ant jos pasirinkite pageidaujamą greitį tarp ECO ir TURBO.

PASTABA: greitį taip pat galima nustatyti iš anksto prieš paleidimą.

G-1	Indikacijos griovelis
-----	-----------------------

APŠVIETIMO ĮRANGOS MAITINIMAS

Šis maitinimo įrenginys gali tiekti energiją išorinei apšvietimo įrangai, o tiekiamą įtampą atitinka maitinimo įrenginio vardinę įtampą.

1. Atsukite šešis varžtus nuo priekinio dangtelio ir nuimkite priekinį dangtelį (H1 pav.).
2. Maitinimo įrenginio viduje yra dvi poros atsarginių išorinių jungčių, kurių viena pora kairėje yra skirta išvesčiai: jos kairysis kontaktas yra neigiamas, o dešinysis – teigiamas su atitinkamais ženklais (H2 pav.).
3. Nuimkite bloką ir tinkamais laidais prijunkite maitinimo įrenginį prie apšvietimo įrangos. Jungiamųjų laidų galai turi būti su kontaktinėmis kilpomis, kad jas būtų galima priveržti M5 varžtais (H3 pav.).
4. Vėl pritvirtinkite priekinį dangtelį, neuždėdami atgal bloko (H4 pav.).

PASTABA: maitinimo įrenginiui apsaugoti turi būti prijungtas ne galingesnis kaip 12 A saugiklis. Bet kokiam gaminio gedimui, kuris atsirado dėl neprijungto saugiklio, garantija netaikoma.

PRIJUNGIMAS PRIE IŠORINIO APSAUGINIO JUNGKILIO

Prie maitinimo įrenginio galima prijungti išorinį apsauginį jungiklį, kad operatorius avariniu atveju galėtų laiku įrenginį sustabdyti.

1. Atsukite šešis varžtus nuo priekinio dangtelio ir nuimkite priekinį dangtelį (I1 pav.).
2. Maitinimo įrenginio viduje yra dvi poros atsarginių išorinių jungčių, naudokite dešiniąją: atsukite varžtus ir nuimkite jungiamąjį laidą (I2 pav.).
3. Nuimkite bloką ir tinkamais laidais prijunkite maitinimo įrenginį. Jungiamųjų laidų galai turi būti su kontaktinėmis kilpomis, kad jas būtų galima priveržti M5 varžtais (I3 pav.).
4. Vėl pritvirtinkite priekinį dangtelį, neuždėdami atgal bloko (I4 pav.).

PASTABA: maitinimo įrenginio sustabdymas per išorinį apsauginį jungiklį gali sustabdyti tik šio įrenginio variklį, o ne visiškai išjungti įrenginį; tai reiškia, kad įrenginys lieka įjungtas. Jei maitinimo įrenginį norite paleisti iš naujo, vėl paleiskite elektros srovę išoriniame apsauginiame jungiklyje.

RODMENYS LED EKRANE

RODMUO	REIKŠMĖ	VEIKSMAS
	01 Suveikė rotoriaus apsauga	<ul style="list-style-type: none"> Atjunkite maitinimo įtampą ir patikrinkite, ar neužblokuotas prijungtas įtaisas. Pašalinę kliūtis vėl paleiskite maitinimo įrenginį. Jei rotoriaus apsaugos simbolis iš ekrano nedingsta, kreipkitės į EGO techninės priežiūros centrą, kad suremontuotų.
	02 Žema įtampa	<ul style="list-style-type: none"> Įkraukite sudėtinę bateriją (-as).

LT

 	Perkaito sudėtinę bateriją	<ul style="list-style-type: none"> Patikrinkite ir išvalykite oro filtrą. Palaukite, kol baterija atvės ir nustos mirksėti geltonas LED indikatorius, arba išbandykite didesnės talpos sudėtinę bateriją (-as).
 	Perkaito maitinimo įrenginys	<ul style="list-style-type: none"> Palaukite, kol maitinimo įrenginys atvės. Sumažinkite apkrovą.
	Suveikė pagrindinės plokštės apsauga nuo virššrovių	<ul style="list-style-type: none"> Pabandykite sumažinti maitinimo įrenginio apkrovą.
	Ryšio klaida	<ul style="list-style-type: none"> Kreipkitės į EGO techninės priežiūros centrą, kad suremontuotų.

LT

TECHNINĖ PRIEŽIŪRA

⚠️ ĮSPĖJIMAS: kad nesusižalotumėte, prieš vykdydami maitinimo įrenginio techninės priežiūros darbus ar jį valydami išimkite sudėtinės baterijas.

⚠️ ĮSPĖJIMAS: vykdydami techninės priežiūros darbus, naudokite tik identiškas atsargines dalis. Naudodami bet kokias kitas dalis galite sukelti pavojų arba sugadinti gaminį. Norint užtikrinti saugumą ir patikimumą, visus remonto darbus turi atlikti kvalifikuotas techninės priežiūros specialistas.

MAITINIMO ĮRENGINIO VALYMAS

- Maitinimo įrenginį valykite mažos koncentracijos ploviklio tirpale suvilgytu skudurėliu. Saugokite maitinimo įrenginį, kad į jo vidų niekada nepatektų jokie

skysčiai; niekada nenardinkite jokios įrenginio dalies į skystį.

- Plastikinėms korpuso dalims valyti nenaudokite jokių koncentruotų valiklių. Kai kurios aromatinės alyvos (pvz., pušies ar citrinų) ir tirpikliai, pvz., žibalas, gali jas sugadinti. Drėgmė taip pat gali kelti elektros smūgio pavojų. Bet kokią drėgmę nusauskite minkštu sausu audeklu.

ORO FILTRO PRIEŽIŪRA

Išėmimas

- Fiksavimo rankenėlę pasukite prieš laikrodžio rodyklę, kaip ant jos pavaizduota, ir išimkite oro filtrą (J1 pav.).

J1-1	Fiksavimo rankenėlė
------	---------------------

- Filtro kempinėlę rekomenduojama išvalyti suslėgtu juo arba pakeisti ją nauja (J2 pav.).

J2-1	Oro filtro dangtelis	J2-2	Kempinėlė
------	----------------------	------	-----------

Įdėjimas

- Įstatykite kempinėlę į oro filtro dangtelį. Visi kempinės kraštai turi glaudžiai priglusti prie iškyšų (J3 pav.).
- Tinkamai įstatykite oro filtrą į maitinimo įrenginį.
- Užfiksukite oro filtrą savo vietoje, paspausdami ir pasukdami pagal laikrodžio rodyklę fiksuojimo rankenėlę (J4 pav.).

GABENIMAS IR LAIKYMAS

MAITINIMO ĮRENGINIO GABENIMAS

⚠️ DĖMESIO: Gabendami galios įrenginį saugokite PTO veleną nuo sutrenkimų ir įštūmimo į vidų (K pav.).

MAITINIMO ĮRENGINIO LAIKYMAS

- Išimkite iš maitinimo įrenginio sudėtinės baterijas.
- Prieš padėdami į sandėlį maitinimo įrenginį kruopščiai nuvalykite.
- Laikykite sausoje, gerai vėdinamoje ir vaikams neprieinamoje vietoje. Nelaikykite maitinimo įrenginio ant arba prie trašų, benzino ar kitų cheminių medžiagų.

APLINKOS APSAUGA



Neišmeskite elektros įrangos, panaudotų baterijų ir įkroviklio kartu su buitinėmis atliekomis! Šias atliekas reikia pristatyti į jų surinkimo vietą ar įgaliotam perdirbėjui. Elektrinius įrankius reikia gražinti į tokių atliekų perdirbimo įmonę.

TRIKČIŲ ŠALINIMAS

PROBLEMA	PRIEŽASTIS	SPRENDIMAS
Maitinimo įrenginio neįmanoma paleisti.	<ul style="list-style-type: none"> PU2710/PU2710RC atveju maitinimo jungiklis neperjungtas į „START“ padėtį. PU2710E atveju prijungtas komutatorius įjungiamas prieš pasukant raktą į „ON“ padėtį. Sudėtinė baterija (-os) neprijungta baterijų skyriuje. Kitos nenustatytos priežastys. 	<ul style="list-style-type: none"> Pasukite jungiklį į START padėtį. Visada pirmiausia pasukite raktą į „ON“ padėtį, tada įjunkite prijungtą komutatorių. Istatykite sudėtinę bateriją (-as) į baterijų skyrių ir spauskite žemyn, kol išgirsite spragtelėjimą. Dėl remonto kreipkitės į kvalifikuotą techninės priežiūros specialistą.
Maitinimo įrenginys darbo metu sustoja.	<ul style="list-style-type: none"> Sudėtinė baterija (-os) visiškai išsikrovusi. Maitinimo įrenginys perkrautas. Sudėtinė baterija (-os) perkaitusi. Maitinimo įrenginys perkaitęs. Kitos nenustatytos priežastys. 	<ul style="list-style-type: none"> Įkraukite sudėtinę bateriją (-as). Sumažinkite darbinę apkrovą. Sumažinkite darbinę apkrovą arba sudėtinę bateriją (-as) pakeiskite didesnės talpos baterija (-omis). Nenaudokite sudėtinės baterijos (-ų) aukštos temperatūros aplinkoje. Patikrinkite ir išvalykite oro filtrą. Sumažinkite apkrovą ir nenaudokite maitinimo įrenginio aukštos temperatūros aplinkoje. Dėl remonto kreipkitės į kvalifikuotą techninės priežiūros specialistą.
Greitis nesikeičia sukant tolygaus reguliavimo svirtį.	<ul style="list-style-type: none"> Jei aplinka triukšminga, sunku nustatyti pokytį. Nenustatytos triktys. 	<ul style="list-style-type: none"> Sustabdykite maitinimo įrenginį ir iš naujo nustatykite greitį. Toliau tikrindami išmatuokite greičių skirtumą, jei reikia. Dėl remonto kreipkitės į „EGO“ klientų aptarnavimo centrą.
Esant nuolatinei didelei apkrovai, greitis automatiškai sumažėja ir išlieka mažu, ką galima nustatyti iš įrenginio garso.	<ul style="list-style-type: none"> Maitinimo įrenginys automatiškai sumažina greitį, apsisaugodamas nuo perkrovo. 	<ul style="list-style-type: none"> Atsižvelgdami į aplinkybes sumažinkite apkrovą ir maitinimo įrenginys vėl pradės veikti visu greičiu.

LT

GARANTIJA

EGO GARANTIJOS TAISYKLĖS

Norėdami sužinoti visas EGO garantijos sąlygas ir nuostatus, apsilankykite interneto svetainėje adresu poweredbyego.com.

DROŠĪBAS INSTRUKCIJA

⚠ BRĪDINĀJUMS! Izlasiet visus ar šo instrumentu saistītos drošības brīdinājumus, norādījumus, specifiskācijas un aplūkojiet attēlus. Visu turpmāk uzskaitīto norādījumu neievērošana var izraisīt elektriskās strāvas triecienu, aizdegšanos un/vai nopietnas traumas.

SAGLABĀJIET VISUS BRĪDINĀJUMUS UN INSTRUKCIJAS TURPMĀKAI ATSAUCEI.

- **Uzturiet darba zonu tīru un labi apgaismotu.** Nesakārtotā un slikti apgaismotā darba zonā var notikt nelaimes gadījumi.
- **Nedarbiniet barošanas bloku sprādzienbīstamā vidē, piemēram, viegli uzliesmojošu šķidrumu, gāzu vai putekļu klātbūtnē.**
- Apjukuma brīdī jūs varat zaudēt vadību pār iekārtu.
- **Iespraudiet ligzdā (ja ir) atbilstošu kontaktdakšu. Nekad nekādā veidā nepārveidojiet ligzdu un kontaktdakšu.** Lietojot oriģinālo kontaktdakšu, kas pievienota atbilstoši tīkla kontaktligzdai, samazinās elektriskās strāvas trieciena risks.
- **Darbinot barošanas bloku, esiet modri, pievērsiet uzmanību tam, ko jūs darāt, un rīkojieties ar to saprātīgi. Nelietojiet barošanas bloku, ja izjūtat nogurumu vai atrodaties apreibinošu vielu, alkohola vai medikamentu ietekmē.** Pat viens mirklis neuzmanības barošanas bloka lietošanas laikā var izraisīt nopietnas traumas.
- **Izmantojiet individuālos aizsarglīdzekļus.** Ja tiek lietots darba specifikai atbilstošs aizsargaprīkojums, piemēram, maska ar putekļu filtru, neslīdoši darba apavi, ķivere vai austiņas, samazinās traumu gūšanas risks.
- **Valkājiet atbilstošu apģērbu. Nevalkājiet vaļīgu apģērbu vai rotaslietas. Sargājiet matus, apģērbu un cimdus no kustīgajām daļām.** Vaļīgs apģērbs, rotaslietas vai gari mati var iekļerties iekārtas kustīgajās daļās.
- **Nepieļaujiet, ka iekārtas bieža lietošana varētu izraisīt nevērīgu attieksmi darbā ar to, un neignorējiet ar iekārtas lietošanu saistītos drošības principus.** Viens brīdis neuzmanības var izraisīt nopietnas traumas.

- **Barošanas bloka remontdarbus drīkst veikt tikai kvalificēts speciālists, izmantojot tikai oriģinālās rezerves daļas.** Tādējādi tiks garantēts barošanas bloka lietošanas drošums.
- **Vienmēr rīkojieties īpaši piesardzīgi, iedarbinot barošanas bloku, kas nav pilnībā samontēts.**
- **Nelietojiet bojātu vai pārveidotu akumulatoru bloku vai instrumentu.** Bojātu vai pārveidotu akumulatoru izmantošana var radīt neparedzamus apstākļus, kas rada aizdegšanās, sprādziena vai traumas gūšanas draudus.
- **Nepaļaujiet akumulatoru bloku vai instrumentu uguns liesmu vai pārmērīgas temperatūras iedarbībai.** Uguns liesmu iedarbība vai temperatūra virs 130 °C var izraisīt sprādzienu.
- **Izpildiet visas uzlādēšanas instrukcijas un neuzlādējiet akumulatoru bloku vai instrumentu ārpus instrukcijās norādītajām temperatūras vērtībām.** Ja iekārta tiek uzlādēta nepareizi vai tiek pārsniegtas instrukcijās norādītās uzlādēšanas temperatūras vērtības, akumulators var sabojāties un palielināt aizdegšanās risku.
- **Nekad neveiciet bojātam akumulatoru blokam remontdarbus pašrocīgi.** Bojāta akumulatoru bloka remontdarbus drīkst veikt tikai ražotājs vai pilnvaroti servisa darbinieki.
- **Piesardzības pasākumi attiecībā uz akumulatoru blokiem norādīti akumulatoru bloka lietošanas instrukcijā.**

DROŠĪBAS SIMBOLI

⚠ BRĪDINĀJUMS! Jebkura elektroinstrumenta lietošanas laikā acis var iekļūt svešķermeņi, kas var radīt smagu acu traumu. Pirms elektroinstrumenta ieslēgšanas vienmēr uzvelciet aizsargbrilles vai aizsargbrilles ar sānu aizsargiem un, ja nepieciešams, pilnu sejas aizsargmasku. Iesakām izmantot aizsargmasku ar plašu skata leņķi, ko uzvelk virs parastajām brillēm, vai arī standarta aizsargbrilles ar sānu aizsargiem.

LV



Izlasiet un izprotiet lietotāja rokasgrāmatu



Elektrisko izstrādājumu atkritumus nedrīkst izmet kopā ar sadzīves atkritumiem. Nogādāt uz pilnvarotu pārstrādes punktu.

IPX5 Aizsardzības klase



Līdzstrāva

V Spriegums

SPECIFIKĀCIJA

Spriegums	56 V ---
Garums x platums x augstums	PU2710/PU2710E: 342 mm x 306 mm x 344 mm PU2710RC: 342 mm x 290 mm x 344 mm
Svars (bez akumulatoru bloka)	PU2710/PU2710E: 11,4 kg PU2710RC: 11,5 kg
IP	IPX5
Akumulatora ports	Divas pieslēgvietas
Ātruma regulēšana	Eko/turbo režīmi (pastāvīgi regulējami 1200-3600 apgr./min.)
Darbības traucējumu LED indikators	Ir
Dzesēšanas sistēma	Ar gaisa dzesēšanu
Gaisa attīrītājs	Viegli nomaināms sūkļa siets
Lietderīgā jauda	3,47 KWpie 3450 apgr./min
Maks. lietderīgais griezes moments	9,2 N.m pie 3450 apgr./min
Elektroniskā bremze	Ir
Jūgvārpsta (PTO)	Horizontāli
Jūgvārpstas (PTO) rotācija (no jūgvārpstas (PTO) puses)	Pretēji pulksteņrādītāja virzienam
Jūgvārpstas (PTO) izmēri	Skatīt A2 att.
Ieteicamā darba temperatūra	-15 °C līdz 40 °C

Ieteicamā uzglabāšanas temperatūra

0 °C līdz 50 °C

APRAKSTS

INFORMĀCIJA PAR BAROŠANAS BLOKU (A1 att.)

1. Akumulatoru nodalījuma vāciņš
2. Izsviešanas mehānisms
3. Akumulatoru skapis
4. Akumulatora atbrīvošanas rievā
5. Bloķēšanas poga
6. Gaisa attīrītājs
7. Jaudas slēdzis
8. LED ekrāns*
 - 8-a. Kopējais darbības stundu skaits (H)
 - 8-b. Bluetooth zīme
 - 8-c. Rotācijas ātruma zīme
 - 8-d. Akumulatora uzlādes līmeņa zīme
 - 8-e. Darbības traucējumu zīme
 - 8-f. Bloķēšanas zīme
 - 8-g. Pārāk augstas temperatūras zīme
9. Pastāvīgi regulējama svira*
10. Elektroinstalācijas caurums/bloks
11. Pamatne
12. Jūgvārpsta (PTO)
13. Caurums atslēgas vītnei
14. Akumulatora atbrīvošanas mehānisms
15. Atslēga(x2)

***PIEZĪME!** PU2710/PU2710E blokā ir integrēta jaudas slēdža vadības paneļa kārba, LED ekrāns un bezpakāpju pārslēdzamā svira, bet nav integrēta PU2710RC blokā.

IEPAKOJUMA SATURA SARAKSTS (A1 ATT.)

UZSTĀDĪŠANA

■ PU2710

Uzstādīšana nav nepieciešama.

LV

■ PU2710RC

Savienojiet vadības paneļa kārbu ar barošanas bloku (B1 un B2 attēls)

B1-1	Kabeļa ligzda	B1-2	Kabeļa kontaktdakša
B2-1	Uzgalis	B2-2	Skrūve (x4)

■ PU2710E

Savienojiet ierīci ar slēdzi vai citu ekvivalentu (nav iekļauts komplektācijā).

1. Izņemiet visas sešas skrūves no priekšējā vāka un noņemiet priekšējo vāku (C1 attēls).
2. Strāvas galviņā ir divi ārējie porti, atskrūvējiet uzgriežņus (C2 attēls).
3. Noņemiet bloku, izmantojiet piemērotus vadus, lai savienotu barošanas bloku un jaudas slēdzi vai citu ekvivalentu. Savienotājgalā jābūt spaiļei, ko var savienot, izmantojot uzgriežņus (C3 attēls).
4. Nav nepieciešams nomainīt bloku, un beigās uzlieciet priekšējo vāku (C4 attēls).

C1-1	Skrūve (x6)	C2-1	Uzgrieznis un paplāksnis (x2)
C3-1	Bloks		

EKSPLUATĀCIJA

PĀRBAUDE PIRMS EKSPLUATĀCIJAS

Gaisa attīrītājs (D att.)

Pārbaudiet gaisa attīrītāja elementus, vai tie ir tīri un ir labā darba stāvoklī.

Ja nepieciešams, notīriet vai nomainiet elementus, ievērojot norādījumus, kas sniegti „GAISA ATTĪRĪTĀJA APKOPE” sadaļā.

⚠ UZMANĪBU! Nekad nedarbiniet barošanas bloku bez gaisa attīrītāja. Pretējā gadījumā bloks ātri nolietosies.

AKUMULATORU BLOKA PIEVIENOŠANA/NOŅĒMŠANA

Izmantojiet tikai kopā ar ieteiktajiem „EGO” akumulatoru blokiem un lādētājiem (A3 att.). Lai nodrošinātu optimālu veiktspēju, ieteicams ievietot: 2 x 12 Ah, 2 x 10 Ah vai vismaz 2 x 7,5 Ah akumulatorus.

Pirms pirmās lietošanas reizes uzlādējiet akumulatoru pilnībā

1. **Lai ievietotu akumulatoru bloku**, salāgojiet akumulatora izciļņus ar barošanas bloka rievām un spiediet uz iekšu akumulatoru bloku, līdz ir dzirdama

„klikšķa” skaņa (E1 att.).

2. **Lai izņemtu akumulatoru bloku**, ievietojiet akumulatora atbrīvošanas mehānismu rievā un piespiediet uz labo pusi; pēc tam akumulators tiks izviests no akumulatora nodalījuma (E2. attēls).

E2-1	Akumulatora atbrīvošanas rievā
------	--------------------------------

PIEZĪME: akumulatoru var izņemt tikai ar akumulatora atbrīvošanas mehānisma palīdzību.

PIEZĪME! Neatstājiet akumulatora atbrīvošanas mehānismu rievā, ja akumulatoru var pēkšņi izņemt.

BAROŠANAS BLOKA PALAIŠANA (F ATT.)

■ PU2710/PU2710RC

1. Ievietojiet atslēgu Jaudas slēdzis ligzdā un pagrieziet par 45° pulksteņrādītāja virzienā pozīcijā **“ON”** (ieslēgts), barošanas bloks būs gatavs darbam, tiklīdz ieslēgsies LED ekrāns un iedegsies akumulatoru bloka zaļā gaismā.
2. Vēlreiz pagrieziet atslēgu par 45° pulksteņrādītāja virzienā pozīcijā **“ON”** (ieslēgts), un barošanas bloks sāk darboties.

PIEZĪME! Lai iedarbinātu barošanas bloku, vienmēr izpildiet zemāk minētās darbības. Barošanas bloku nevarēs iedarbināt, ja savienotais slēdzis tiks ieslēgts pirms atslēgas pagriešanas pozīcijā **“ON”**.

■ PU2710E

1. Ievietojiet atslēgu jaudas slēdža rievā un pagrieziet to pozīcijā **“ON”**. Barošanas bloks būs gatavs darbam, tiklīdz tiks ieslēgts LED ekrāns un akumulatora blokā iedegsies zaļā gaismā.
2. Ieslēdziet pievienoto slēdzi (nav iekļauts komplektācijā), un barošanas bloks sāk darboties.

PIEZĪME! Ja barošanas bloks ir gatavs darbam vai jau darbojas, atslēgu nevar izņemt no slēdža ligzdas.

BAROŠANAS BLOKA APTURĒŠANA

■ PU2710/PU2710RC

Lai apturētu barošanas bloku īslaicīgi, pagrieziet atslēgu pozīcijā **“ON”** (ieslēgts).

Lai pilnībā apturētu barošanas bloku, pagrieziet atslēgu pozīcijā **“OFF”** (Izslēgts).

■ PU2710E

Norēdami laikinai sustabdyti maitinimo bloka, tiesiog išjunkite prijungtą komutatorių (nepriededamas).

Jei maitinimo įrenginį norite visiškai išjungti, pasukite raktelį į „OFF” padėtį.”

PIEZĪME! Lai novērstu negaidītu barošanas bloka

ieslēgšanos, pagrieziet atslēgu pozīcijā "OFF" (izslēgts), lai to pilnībā izslēgtu.

ĀTRUMA REGULĒŠANA (G ATT.)

Pagrieziet pastāvīgi regulējamo sviru un izmantojiet sviras indikācijas ligzdu, lai atrastu un izvēlētos "ECO" vai "TURBO" ātrumu.

PIEZĪME! Ātrumu var iestatīt arī pirms palaišanas.

G-1	Indikācijas ligzda
-----	--------------------

APGAISMOJUMA IEKĀRTU BAROŠANA

Šis barošanas bloks var piegādāt elektroenerģiju ārējām apgaismojuma iekārtām, un spriegums atbilst instrumentgalvas nominālajam spriegumam.

1. Izņemiet visas sešas skrūves no priekšējā vāka un noņemiet priekšējo vāku (H1. attēls).
2. Barošanas blokā rezervei ir paredzēti divi ārējo portu pāri, no kuriem viens pāris kreisajā pusē ir izejas ports, bet kreisais ir negatīvs un labais - pozitīvs (ar pozitīvo un negatīvo zīmi saskamē) (H2. att.).
3. Noņemiet bloku un izmantojiet atbilstošus vadus, lai savienotu barošanas bloku ar apgaismojuma iekārtām. Savienotājgalā jābūt spaiļei, ko var savienot, izmantojot M5 skrūves (H3. attēls).
4. Nav nepieciešams nomainīt bloku, un beigās uzlieciet priekšējo vāku (H4. attēls).

PIEZĪME! Lai aizsargātu barošanas bloku, tam ir jābūt drošinātājam, kas nepārsniedz 12 A. Uz izstrādājuma bojājumiem, kas radušies neesoša drošinātāja gadījumā, garantija neattiecas.

SAVIENOJUMS AR ĀRĒJO DROŠĪBAS SLĒDZI

Barošanas blokam var pieslēgt ārējo drošības slēdzi, ar kuru operators avārijas gadījumā var laikus apturēt barošanas bloku.




1. Uzņemiet visas sešas skrūves no priekšējā vāka un noņemiet priekšējo vāku (I1. attēls).
2. Instrumentgalvā rezervei ir paredzēti divi ārējo portu pāri; izmantojiet labajā pusē esošo pāri. Atskrūvējiet skrūves un izņemiet vadu (I2 att.).
3. Noņemiet bloku un savienojiet barošanas bloku ar piemērotiem vadiem. Savienotājgalā jābūt spaiļei, ko var savienot, izmantojot M5 skrūves (I3. attēls).
4. Nav nepieciešams nomainīt bloku, un beigās uzlieciet priekšējo vāku (I4. attēls).

PIEZĪME! Ja barošanas bloku aptur ar ārējo drošības slēdzi, var apturēt tikai barošanas bloka motoru, bet nevar

izslēgt bloku pilnībā; tas nozīmē, ka viss bloks joprojām atrodas darbības režīmā. Lai vēlreiz iedarbinātu barošanas bloku, vēlreiz izveidojiet ārējā drošības slēdža elektrisko savienojumu.

LED EKRĀNA DISPLEJS

DISPLEJS	SKAIDROJUMS	RĪCĪBA
	aizsardzība pret rotora nobloķēšanos	<ul style="list-style-type: none"> ■ Izslēdziet strāvas padevi un pārbaudiet, vai pie slodzes nav izveidojies aizsprostojums. Pēc tīrīšanas vēlreiz iedarbiniet barošanas bloku. Ja joprojām tiek rādīta aizsardzība pret rotora nobloķēšanos, sazinieties ar EGO servisa centru, lai veiktu remontu.
	Zemspriegums	<ul style="list-style-type: none"> ■ Uzlādējiet akumulatoru bloku(-us).
	Pārāk augsta akumulatoru bloka temperatūra	<ul style="list-style-type: none"> ■ Pārbaudiet un iztīriet gaisa attīrītāju. ■ Pagaidiet, kamēr akumulators atdziest, līdz dzeltenā LED pārtrauc mirgot, vai izmēģiniet iedarbināt ar akumulatoru(-iem), kam ir lielāka jauda.

	<p>Pārāk augsta barošanas bloka temperatūra</p>	<ul style="list-style-type: none"> Pagaidiet, līdz barošanas bloks atdziest. Samaziniet darba slodzi.
	<p>Galvenās plates pārslodzes aizsardzība</p>	<ul style="list-style-type: none"> Mēģiniet samazināt darba slodzi
	<p>Sakaru kļūme</p>	<ul style="list-style-type: none"> Sazinieties ar EGO servisa centru, kas veiks remontdarbus.

izņemiet laukā gaisa attīrītāju (J1 att.).

J1-1 Bloķēšanas poga

- Sūkļa sieta filtra tīrīšanai ieteicams izmantot gaisa pūšanas pistoli vai, ja nepieciešams, nomainiet ar jaunu filtru (J2 att.).

J2-1 Gaisa attīrītāja vāciņš J2-2 Sūkļa siets

Uzstādīšana

- Ievietojiet sūkļa sietu gaisa attīrītāja vāciņā. Pārliecinieties, vai visi sāni ir līdzīgi un uz tiem nav izveidojušies izciļņi (J3 att.).
- Uzlieciet gaisa attīrītāju uz barošanas bloka pareizi.
- Lai nostiprinātu gaisa attīrītāju, piespiediet un pagrieziet pulksteņrādītāja kustības virzienā bloķēšanas pogu (J4 att.).

TRANSPORTĒŠANA/ UZGLABĀŠANA

BAROŠANAS BLOKA TRANSPORTĒŠANA

⚠ UZMANĪBU! Bojāta barošanas bloka gadījumā nekad nepakļaujiet jūgvārpstu (PTO) triecienam vai nepieļaujiet, ka tā tiek saspiesta. (K att.).

BAROŠANAS BLOKA UZGLABĀŠANA

- Izņemiet no barošanas bloka akumulatoru bloku.
- Pirms uzglabāšanas rūpīgi notīriet barošanas bloku.
- Uzglabājiet barošanas bloku sausā, labi vēdināmā, aizslēdzamā vai bērniem nepieejamā vietā. Neuzglabājiet barošanas bloku blakus mēslojumam, benzīnam vai citām ķīmikālijām.

APKĀRTĒJĀS VIDES AIZSARDZĪBA



Neutilizējiet elektrisko aprīkojumu, izlietoto akumulatoru un lādētāju sadzīves atkritumos! Nogādājiet šo produktu uz pilnvarotu pārstrādes punktu un sagatavojiet atkritumu šķirošanai. Elektriskos instrumentus jānogādā videi nekaitīgā pārstrādes rūpnīcā.

APKOPE

⚠ BRĪDINĀJUMS! Lai novērstu traumu gūšanas risku, pirms apkopes un tīrīšanas darbu veikšanas izņemiet akumulatoru blokus.

⚠ BRĪDINĀJUMS! Veicot ierīces apkopi, izmantojiet tikai identiskas rezerves daļas. Jebkuru citu daļu izmantošana var radīt apdraudējumu vai instrumenta bojājumus. Lai garantētu drošu un uzticamu instrumenta darbību, visi remontdarbi jāveic kvalificētam servisa speciālistam.

LV

BAROŠANAS BLOKA TĪRĪŠANA

- Notīriet barošanas bloku ar mitru drānu un saudzīgu mazgāšanas līdzekli. Nekādā gadījumā nepieļaujiet šķidrums iekļūšanu barošanas blokā; nekad neiegremdējiet šķidrumā nevienu no bloka daļām.
- Netīriet plastmasas korpusu kodīgiem tīrīšanas līdzekļiem. Plastmasas daļas var sabojāt ar zināmām aromatizētām eļļām, piemēram, priežu un citrona, un šķīdinātājiem, piemēram, petroleju. Elektrotraumu var radīt arī mitrums. Noslaukiet mitrumu ar mīkstu un sausu lupatiņu.

GAISA ATTĪRĪTĀJA APKOPE

Noņemšana

- Pagrieziet pretēji pulksteņrādītāja kustības virzienam bloķēšanas pogu atbilstoši uz tās redzamajai ikonai un

KĻŪDU NOVĒRŠANA

PROBLĒMA	CĒLONIS	RISINĀJUMS
Barošanas bloku nevar iedarbināt.	<ul style="list-style-type: none"> Modeliem PU2710/PU2710RC jaudas slēdzis nav ieslēgts pozīcijā "START". Modelim PU2710E savienotais slēdzis ir jāieslēdz pirms atslēgas pagriešanas pozīcijā "ON". Akumulatoru nodalījumā nav ievietots akumulatoru bloks(-i). Citi neidentificētie cēloņi. 	<ul style="list-style-type: none"> Pagrieziet slēdzi pozīcijā "START" (Palaist). Vienmēr vispirms pagrieziet atslēgu pozīcijā "ON", ieslēdziet savienoto slēdzi. Ievietojiet akumulatoru(-us) akumulatoru nodalījumā un piespiediet, līdz izdzirdat klikšķa skaņu. Sazinieties ar kvalificētu servisa tehniķi, kas veiks remontdarbus.
Barošanas bloks pārstāj darboties.	<ul style="list-style-type: none"> Akumulatoru bloks(-i) ir izlādējies(-ušies). Barošanas bloka pārslodze. Pārkaršis akumulatoru bloks(-i). Pārkaršis barošanas bloks. Citi neidentificētie cēloņi. 	<ul style="list-style-type: none"> Uzlādējiet akumulatoru bloku(-s). Samaziniet darba slodzi. Samaziniet darba slodzi vai nomainiet ar lielākas jaudas akumulatoru(-iem). Neizmantojiet akumulatoru(-s) augstā temperatūrā. Pārbaudiet un izfriet gaisa atfritāju. Samaziniet slodzi un neizmantojiet barošanas bloku augstā temperatūrā. Sazinieties ar kvalificētu servisa tehniķi, kas veiks remontdarbus.
Griežot pastāvīgi regulējamo sviru, ātrums nemainās.	<ul style="list-style-type: none"> Pārāk trokšņainā apkārtnē ir grūti pamanīt izmaiņas. Neidentificētās kļūmes. 	<ul style="list-style-type: none"> Apturiet barošanas bloku un vēlreiz noregulējiet ātrumu. Izmēriet ātruma starpību, lai vajadzības gadījumā vēlreiz pārbaudītu. Ja nepieciešams veikt labošanas darbus, sazinieties ar EGO klientu apkalpošanas nodaļu.
Ātrums samazinās automātiski, ja bloks nepārtraukti tiek pakļauts lielai slodzei, un pēc tam tas turpina darboties ar zemu ātrumu, ko var noteikt pēc darbošanās skaņas.	<ul style="list-style-type: none"> Barošanas blokam ir automātiska regulēšanas funkcija aizsardzībai pret pārslodzi. 	<ul style="list-style-type: none"> Samaziniet slodzi atbilstoši faktiskajai situācijai, un pēc tam barošanas bloks atsāks darboties ar pilnu ātrumu.

LV

GARANTIJA

EGO GARANTIJAS POLITIKA

Lūdzam apmeklēt tīmekļa vietni poweredbyego.com, kur pieejama pilna EGO garantijas politikas noteikumu un nosacījumu versija.

ΟΔΗΓΙΕΣ ΑΣΦΑΛΕΙΑΣ

▲ ΠΡΟΕΙΔΟΠΟΙΗΣΗ: Μελετήστε όλες τις προειδοποιήσεις ασφάλειας, τις οδηγίες, τις εικόνες και τις προδιαγραφές που συνοδεύουν αυτό το εργαλείο. Εάν δεν τηρηθούν όλες οι οδηγίες που αναφέρονται παρακάτω, μπορεί να προκληθεί ηλεκτροπληξία, πυρκαγιά και/ή σοβαρός τραυματισμός.

ΦΥΛΑΞΤΕ ΟΛΕΣ ΤΙΣ ΠΡΟΕΙΔΟΠΟΙΗΣΕΙΣ ΚΑΙ ΤΙΣ ΟΔΗΓΙΕΣ ΓΙΑ ΜΕΛΛΟΝΤΙΚΗ ΑΝΑΦΟΡΑ.

- Διατηρείτε το χώρο εργασίας καθαρό και καλά φωτισμένο. Οι ακατάστατοι χώροι και οι χώροι με κακό φωτισμό ενισχύουν την πιθανότητα ατυχημάτων.
- Μη χρησιμοποιείτε τη μονάδα ισχύος σε εκρηκτική ατμόσφαιρα, για παράδειγμα, παρουσία εύφλεκτων υγρών, αερίων ή σκόνης.
- Εάν κάτι αποσπάσει την προσοχή σας, μπορεί να χάσετε τον έλεγχο.
- Η υποδοχή (εφόσον υπάρχει) πρέπει να ταιριάζει με το σωστό φως. Μην τροποποιήσετε ποτέ και μη κανέναν τρόπο την υποδοχή και το φως. Τα μη τροποποιημένα φως και οι αντίστοιχες υποδοχές μειώνουν τον κίνδυνο ηλεκτροπληξίας.
- Να βρίσκεστε πάντα σε εγρήγορση, να προσέχετε τι κάνετε και να εφαρμόζετε κοινή λογική όταν χρησιμοποιείτε τη μονάδα ισχύος. Μη χρησιμοποιείτε τη μονάδα ισχύος όταν είστε κουρασμένοι ή υπό την επίρεια ναρκωτικών, αλκοόλ ή φαρμάκων. Μια στιγμή απροσεξίας κατά τη χρήση της μονάδας ισχύος μπορεί να προκαλέσει σοβαρό ατομικό τραυματισμό.
- Χρησιμοποιείτε μέσα ατομικής προστασίας. Η χρήση των κατάλληλων μέσων ατομικής προστασίας, όπως, μάσκας προστασίας από τη σκόνη, αντιοισθητικών παπουτσιών ασφαλείας, κράνους ή υποσποσπίδων, μειώνει τον κίνδυνο τραυματισμών.
- Φοράτε κατάλληλα ρούχα. Μην φοράτε φαρδιά ρούχα ή κοσμήματα. Διατηρείτε τα μαλλιά και τα ρούχα σας μακριά από κινούμενα μέρη. Τα φαρδιά ρούχα, τα κοσμήματα ή τα μακριά μαλλιά ενδέχεται να εμπλακούν σε κινούμενα μέρη.
- Ακόμα κι εάν χρησιμοποιείτε συχνά ηλεκτρικά εργαλεία, μην εφησυχάζετε και μην παραβλέπετε τις βασικές αρχές ασφαλείας. Μια στιγμή απροσεξίας μπορεί να οδηγήσει σε σοβαρό τραυματισμό.

GR

- Η μονάδα ισχύος πρέπει να επισκευάζεται μόνο από πιστοποιημένο επαγγελματία, χρησιμοποιώντας μόνο αναμεικτά ανταλλακτικά. Με αυτόν τον τρόπο διασφαλίζεται η ασφαλής λειτουργία της μονάδας ισχύος.
- Πάντα να είστε εξαιρετικά προσεκτικοί κατά την εκκίνηση της μονάδας ισχύος εάν αυτή δεν είναι πλήρως συναρμολογημένη στο εργαλείο.
- Μην χρησιμοποιείτε τη συστοιχία μπαταριών ή το εργαλείο εάν έχουν υποστεί ζημιά ή έχουν τροποποιηθεί. Οι συστοιχίες μπαταριών που έχουν υποστεί ζημιά ή τροποποιηθεί μπορεί να έχουν απρόβλεπτη συμπεριφορά και να προκληθεί πυρκαγιά, έκρηξη ή τραυματισμός.
- Η συστοιχία μπαταριών και το ηλεκτρικό εργαλείο δεν πρέπει να εκτίθενται σε φωτιά ή υπερβολικά υψηλές θερμοκρασίες. Η έκθεση σε φωτιά ή θερμοκρασία πάνω από 130 °C μπορεί να προκαλέσει έκρηξη.
- Τηρείτε όλες τις οδηγίες φόρτισης και μη φορτίζετε τη συστοιχία μπαταριών ή το ηλεκτρικό εργαλείο εκτός του εύρους θερμοκρασίας που καθορίζεται στις οδηγίες. Εάν η φόρτιση δε γίνει σωστά ή πραγματοποιηθεί σε θερμοκρασία εκτός του καθορισμένου εύρους, η συστοιχία μπαταριών μπορεί να υποστεί ζημιά και να αυξηθεί ο κίνδυνος πυρκαγιάς.
- Μην επιχειρήσετε ποτέ να επισκευάσετε συστοιχία μπαταριών που έχει υποστεί ζημιά. Η συστοιχία μπαταριών πρέπει να επισκευάζεται μόνο από τον κατασκευαστή ή από εξουσιοδοτημένα κέντρα σέρβις.
- Ανατρέξτε στο εγχειρίδιο οδηγιών της συστοιχίας μπαταριών για τα προληπτικά μέτρα σχετικά με συστοιχίες μπαταριών.

ΣΥΜΒΟΛΑ ΑΣΦΑΛΕΙΑΣ

▲ ΠΡΟΕΙΔΟΠΟΙΗΣΗ: Η λειτουργία ηλεκτρικών εργαλείων μπορεί να προκαλέσει την εκτόξευση ξένων αντικειμένων στα μάτια σας, με αποτέλεσμα σοβαρό τραυματισμό. Προτού ξεκινήσετε τη χρήση του ηλεκτρικού εργαλείου, φοράτε πάντα προστατευτικά γυαλιά ή γυαλιά με πλευρική προστασία και, εφόσον απαιτείται, πλήρη προστατευτική προσωπίδα. Συνιστούμε μια προσωπίδα ασφαλείας ευρείας όρασης, για χρήση πάνω από γυαλιά ή τα συνήθη προστατευτικά γυαλιά με πλευρική προστασία.



Διαβάστε και κατανοήστε το εγχειρίδιο χρήσης



Τα απόβλητα ειδών ηλεκτρικού και ηλεκτρονικού εξοπλισμού δεν πρέπει να απορρίπτονται στα οικιακά απορρίμματα. Πρέπει να παραδίδονται σε εξουσιοδοτημένη μονάδα ανακύκλωσης.

IPX5 Βαθμός προστασίας από εισχώρηση

Συνεχές ρεύμα

V Τάση

ΠΡΟΔΙΑΓΡΑΦΕΣ

Τάση	56 V
Μήκος x Πλάτος x Ύψος	PU2710/PU2710E: 342 mm x 306 mm x 344 mm PU2710RC: 342 mm x 290 mm x 344 mm
Βάρος (χωρίς συστοιχία μπαταριών)	PU2710/PU2710E: 11,4 kg PU2710RC: 11,5 kg
IP	IPX5
Υποδοχή συστοιχίας μπαταριών	Διπλές θύρες
Έλεγχος ταχύτητας	Λειτουργίες ECO/ TURBO (με συνεχή ρύθμιση στροφών 1200-3600 RPM)
Ένδειξη LED δυσλειτουργίας	Ναι
Σύστημα ψύξης	Ψύξη αέρα
Καθαριστής αέρα	Πλέγμα αφρώδους υλικού που αντικαθίσταται εύκολα
Έξοδος καθαρής ισχύος	3,47 kW σε 3450 RPM
Μέγ. καθαρή ροπή	9,2 N.m σε 3450 RPM
Ηλεκτρονικό φρένο	Ναι
Αξονας PTO	Οριζόντια
Περιστροφή άξονα PTO (από την πλευρά άξονα PTO)	Αριστερόστροφα
Διαστάσεις άξονα PTO	Ανατρέξτε στην Εικ. A2

Συνιστώμενη θερμοκρασία λειτουργίας	-15°C – 40°C
Συνιστώμενη θερμοκρασία αποθήκευσης	0°C – 50°C

ΠΕΡΙΓΡΑΦΗ

ΓΝΩΡΙΣΤΕ ΤΗ ΜΟΝΑΔΑ ΙΣΧΥΟΣ ΣΑΣ (Εικ. A1)

- Κάλυμμα θήκης μπαταριών
- Μηχανισμός εκτίναξης
- Θήκη μπαταριών
- Σχημική αποδέσμευση μπαταριών
- Κουμπί κλειδώματος
- Καθαριστής αέρα
- Διακόπτης λειτουργίας
- Οθόνη LED*
 - Συνολικές ώρες λειτουργίας (H)
 - Ένδειξη Bluetooth
 - Ένδειξη ταχύτητας περιστροφής
 - Ένδειξη στάθμης μπαταριών
 - Ένδειξη δυσλειτουργίας
 - Ένδειξη αποκλεισμού
 - Ένδειξη υπερθέρμανσης
- Μοχλός συνεχούς ρύθμισης στροφών*
- Οπή καλωδίωσης / τάπα
- Βάση
- Αξονας PTO
- Υποδοχή κλειδιού
- Εξάρτημα αποδέσμευσης μπαταριών
- Κλειδί(x2)

***ΣΗΜΕΙΩΣΗ:** Το κουτί του πίνακα ελέγχου του διακόπτη λειτουργίας, η οθόνη LED και ο συνεχώς μεταβαλλόμενος μοχλός είναι ενσωματωμένα στη μονάδα PU2710/PU2710E, αλλά διαχωρίζεται από τη μονάδα PU2710RC.

ΚΑΤΑΛΟΓΟΣ ΕΞΑΡΤΗΜΑΤΩΝ

GR

ΣΥΣΚΕΥΑΣΙΑΣ (ΕΙΚ. Α1)

ΣΥΝΑΡΜΟΛΟΓΗΣΗ

■ PU2710

Δεν απαιτείται συναρμολόγηση.

■ PU2710RC

Συνδέστε το κουτί πίνακα ελέγχου στην μονάδα ισχύος (Εικ. 81 & 82)

B1-1	Υποδοχή καλωδίου	B1-2	Βύσμα καλωδίου
B2-1	Τερματικό κάλυμμα	B2-2	Βίδα (x4)

■ PU2710E

Συνδέστε τη μονάδα με διακόπτη ή άλλη αντίστοιχη διάταξη (δεν παρέχεται).

1. Αφαιρέστε τις έξι βίδες από το μπροστινό κάλυμμα και αφαιρέστε το μπροστινό κάλυμμα (Εικ. C1).
2. Υπάρχουν δύο εξωτερικές θύρες δεσμευμένες στο εσωτερικό της κεφαλής ισχύος. Λασκάρτε τα παξιμάδια (Εικ. C2).
3. Αφαιρέστε το μπλοκ, χρησιμοποιήστε κατάλληλα καλώδια για να συνδέσετε τη μονάδα ισχύος και έναν διακόπτη εκκίνησης ή άλλη αντίστοιχη διάταξη. Το συνδετικό άκρο πρέπει να είναι τερματική ωτίδα και να μπορεί να συνδεθεί μέσω των παξιμαδιών (Εικ. C3).
4. Δεν χρειάζεται να επανατοποθετήσετε το μπλοκ. Τέλος, επανατοποθετήστε το μπροστινό κάλυμμα (Εικ. C4).

GR

C1-1	Βίδα (x6)	C2-1	Παξιμάδι & Ροδέλα (x2)
C3-1	Μπλοκ		

ΛΕΙΤΟΥΡΓΙΑ

ΕΛΕΓΧΟΣ ΠΡΙΝ ΤΗ ΛΕΙΤΟΥΡΓΙΑ

Καθαριστής αέρα (Εικ. D)

Ελέγξτε τα στοιχεία καθαριστή αέρα ώστε να είστε σίγουροι ότι είναι καθαρά και σε καλή κατάσταση.

Καθαρίστε ή αντικαταστήστε τα στοιχεία, εφόσον απαιτείται, σύμφωνα με τις οδηγίες της ενότητας «ΣΕΡΒΙΣ ΚΑΘΑΡΙΣΤΗ ΑΕΡΑ».

▲ ΠΡΟΣΟΧΗ: Ποτέ μη θέτετε σε λειτουργία τη μονάδα ισχύος χωρίς τον καθαριστή αέρα. Θα προκύψει ταχεία φθορά.

ΠΡΟΣΑΡΤΗΣΗ/ΑΠΟΜΑΚΡΥΝΣΗ ΤΗΣ ΣΥΣΤΟΙΧΙΑΣ ΜΠΑΤΑΡΙΩΝ

Χρησιμοποιείτε μόνο συστοιχίες μπαταριών και τους φορτιστές που συνιστώνται από την EGO (Εικ. A3). Για βέλτιστη απόδοση, συνιστάται η προσάρτηση των ακόλουθων: 2 x 12Ah, 2 x 10Ah ή τουλάχιστον 2 μπαταριών 7,5Ah.

Φορτίστε πλήρως πριν από την πρώτη χρήση.

1. Για την προσάρτηση της συστοιχίας μπαταριών, ευθυγραμμίστε τις νευρώσεις της μπαταρίας με τις σπές οδήγησης της μονάδας ισχύος και πιέστε τη συστοιχία μπαταριών προς τα κάτω μέχρι να ακούσετε ένα «κλικ» (Εικ. E1).
2. Για την αφαίρεση της συστοιχίας μπαταριών, τοποθετήστε το εξάρτημα αποδέσμευσης μπαταριών στη σχισμή και ωθήστε την προς τα δεξιά, ώστε η μπαταρία να βγει από τη θήκη μπαταριών (Εικ. E2).

E2-1	Σχισμή αποδέσμευσης μπαταριών
------	-------------------------------

ΣΗΜΕΙΩΣΗ: Η μπαταρία μπορεί να αφαιρεθεί μόνο με το εξάρτημα αποδέσμευσης μπαταριών.

ΣΗΜΕΙΩΣΗ: Μην αφήνετε το εξάρτημα αποδέσμευσης μπαταριών στη σχισμή εάν η μπαταρία αφαιρεθεί απροσδόκητα.

ΘΕΣΗ ΤΗΣ ΜΟΝΑΔΑΣ ΙΣΧΥΟΣ ΣΕ ΛΕΙΤΟΥΡΓΙΑ (ΕΙΚ. F)

■ PU2710/PU2710RC

1. Τοποθετήστε το κλειδί στη σχισμή του Διακόπτη λειτουργίας και περιστρέψτε το κατά 45° δεξιόστροφα στη θέση «ON». Η μονάδα ισχύος θα είναι έτοιμη για λειτουργία μόλις ανάψει η οθόνη LED και η πράσινη λυχνία της συστοιχίας μπαταριών.
2. Περιστρέψτε εκ νέου το κλειδί κατά 45° δεξιόστροφα στη θέση «START». Η μονάδα ισχύος θα αρχίσει να λειτουργεί.

ΕΙΔΟΠΟΙΗΣΗ: Ακολουθείτε πάντα τα κατωτέρω βήματα για την εκκίνηση της μονάδας ισχύος. Η μονάδα ισχύος δεν μπορεί να ξεκινήσει εάν ο συνδεδεμένος διακόπτης έχει ενεργοποιηθεί πριν γυρίσετε το κλειδί στη θέση «ON».

■ PU2710E

1. Τοποθετήστε το κλειδί στην υποδοχή του διακόπτη λειτουργίας και γυρίστε το στη θέση «ON». Η μονάδα ισχύος θα είναι έτοιμη για λειτουργία όταν ανάψει η οθόνη LED και το πράσινο φως στη συστοιχία

μπαταριών.

2. Ενεργοποιήστε τον συνδεδεμένο διακόπτη (δεν παρέχεται), η μονάδα ισχύος αρχίζει να λειτουργεί.

ΣΗΜΕΙΩΣΗ: Το κλειδί δεν μπορεί να αφαιρεθεί από τη σχισμή του διακόπτη όταν η μονάδα ισχύος είναι έτοιμη να λειτουργήσει ή βρίσκεται σε λειτουργία.

ΣΤΑΜΑΤΗΜΑ ΤΗΣ ΜΟΝΑΔΑΣ ΙΣΧΥΟΣ

■ PU2710/PU2710RC

Προσωρινό σταμάτημα της μονάδας, περιστρέψτε το κλειδί στη θέση «ON».

Για να σταματήσετε εντελώς τη μονάδα ισχύος, περιστρέψτε το κλειδί στη θέση «OFF».

■ PU2710E

Για να σταματήσετε τη μονάδα ισχύος προσωρινά, απλώς απενεργοποιήστε τον συνδεδεμένο διακόπτη (δεν παρέχεται).

Για να σταματήσετε εντελώς τη μονάδα ισχύος, γυρίστε το κλειδί στη θέση «OFF».

ΣΗΜΕΙΩΣΗ: Για να αποφύγετε την απροσδόκητη εκκίνηση, περιστρέψτε το κλειδί στη θέση «OFF» για να απενεργοποιήσετε πλήρως τη μονάδα ισχύος.

ΡΥΘΜΙΣΗ ΤΑΧΥΤΗΤΑΣ (ΕΙΚ. G)

Περιστρέψτε το μοχλό συνεχούς ρύθμισης στροφών και χρησιμοποιήστε την ενδεικτική σχισμή στο μοχλό για να εντοπίσετε και να επιλέξετε ταχύτητα «ECO» ή «TURBO».

ΣΗΜΕΙΩΣΗ: Η ταχύτητα επιδέχεται εκ των προτέρων ρύθμιση πριν από την εκκίνηση.

G-1	Ενδεικτική σχισμή
-----	-------------------

ΤΡΟΦΟΔΟΣΙΑ ΕΞΟΠΛΙΣΜΟΥ ΦΩΤΙΣΜΟΥ

Αυτή η μονάδα ισχύος μπορεί να τροφοδοτήσει με ρεύμα εξωτερικό εξοπλισμό φωτισμού, εφόσον η τάση συμφωνεί με την ονομαστική τάση της κεφαλής ισχύος.

1. Αφαιρέστε τις έξι βίδες από το μπροστινό κάλυμμα και αφαιρέστε το (Εικ. H1).
2. Υπάρχουν δύο ζεύγη εξωτερικών θυρών στο εσωτερικό της μονάδας ισχύος. Το ένα ζεύγος στα αριστερά αποτελεί τη θύρα εξόδου, ενώ αριστερά είναι αρνητικό και δεξιά είναι θετικό (με θετικό και αρνητικό πρόσρημο στη διεπαφή) (Εικ. H2).
3. Αφαιρέστε την τάπα και χρησιμοποιήστε κατάλληλα καλώδια για να συνδέσετε τη μονάδα ισχύος και τον εξοπλισμό φωτισμού. Το άκρο σύνδεσης είναι ακροδέκτης που συνδέεται μέσω βιδών M5 (Εικ. H3).

4. Δεν χρειάζεται να επανατοποθετήσετε την τάπα. Τέλος, επανατοποθετήστε το μπροστινό κάλυμμα (Εικ. H4).

ΣΗΜΕΙΩΣΗ: Για την προστασία της μονάδας ισχύος πρέπει να συνδέσετε μια ασφάλεια έως 12 A. Οποιαδήποτε βλάβη προκαλείται στο προϊόν λόγω της μη σύνδεσης ασφάλειας δεν καλύπτεται από την εγγύηση.




ΣΥΝΔΕΣΗ ΜΕ ΕΞΩΤΕΡΙΚΟ ΔΙΑΚΟΠΤΗ ΑΣΦΑΛΕΙΑΣ




Μπορεί να συνδεθεί εξωτερικός διακόπτης ασφαλείας στη μονάδα ισχύος, έτσι ώστε ο χειριστής να μπορεί να σταματήσει εγκαίρως τη μονάδα ισχύος σε περίπτωση έκτακτης ανάγκης.

1. Αφαιρέστε τις έξι βίδες από το μπροστινό κάλυμμα και αφαιρέστε το (Εικ. I1).
2. Υπάρχουν δύο εξωτερικές θύρες στο εσωτερικό της κεφαλής ισχύος. Χρησιμοποιήστε το ζεύγος στα δεξιά. Λασκάρτε τις βίδες και αφαιρέστε το καλώδιο (Εικ. I2).
3. Αφαιρέστε την τάπα και συνδέστε τη μονάδα ισχύος με κατάλληλα καλώδια. Το άκρο σύνδεσης είναι ακροδέκτης που συνδέεται μέσω βιδών M5 (Εικ. I3).
4. Δεν χρειάζεται να επανατοποθετήσετε την τάπα. Τέλος, επανατοποθετήστε το μπροστινό κάλυμμα (Εικ. I4).

ΣΗΜΕΙΩΣΗ: Το σταμάτημα της μονάδας ισχύος μέσω εξωτερικού διακόπτη ασφαλείας σβήνει μόνο τον κινητήρα της μονάδας ισχύος και δεν απενεργοποιεί πλήρως τη μονάδα, συνεπώς, η μονάδα εξακολουθεί να παραμένει ενεργοποιημένη. Για να επανεκκινήσετε τη μονάδα ισχύος, αποκαταστήστε την ηλεκτρική σύνδεση του εξωτερικού διακόπτη ασφαλείας.

ΟΘΟΝΗ LED

ΟΘΟΝΗ	ΕΠΕΞΗΓΗΣΗ	ΕΝΕΡΓΕΙΑ
	Προστασία κλειδώματος ρότορα	<ul style="list-style-type: none"> Διακόψτε την παροχή ρεύματος και ελέγξτε για τυχόν μπλοκαρίσματα γύρω από το φορτίο. Μετά τον καθαρισμό, επανεκκινήστε τη μονάδα ισχύος. Εάν εξακολουθεί να προβάλλεται η προστασία κλειδώματος ρότορα, επικοινωνήστε με το κέντρο σέρβις της EGO για επίσκευή.
	Χαμηλή τάση	<ul style="list-style-type: none"> Επαναφορτίστε τη (τις) συστοιχία(ες) μπαταριών.
	Υπερθέρμανση συστοιχίας μπαταριών	<ul style="list-style-type: none"> Ελέγξτε και καθαρίστε τον καθαριστή αέρα. Αφήστε την μπαταρία να κρυώσει μέχρι να σταματήσει να αναβοσβήνει η κίτρινη λυχνία LED ή χρησιμοποιήστε συστοιχίες μπαταριών με μεγαλύτερη χωρητικότητα.

	Υπερθέρμανση μονάδας ισχύος	<ul style="list-style-type: none"> Περιμένετε να κρυώσει η μονάδα ισχύος. Μειώστε το φορτίο.
	Προστασία κύριου κυκλώματος από υπερένταση	<ul style="list-style-type: none"> Προσπαθήστε να ελαττώσετε το φορτίο.
	Βλάβη στην επικοινωνία	<ul style="list-style-type: none"> Επικοινωνήστε με το κέντρο σέρβις της EGO για επίσκευή.

ΣΥΝΤΗΡΗΣΗ

⚠ ΠΡΟΕΙΔΟΠΟΙΗΣΗ: Προς αποφυγή ατομικού τραυματισμού, απομακρύνετε τις συστοιχίες μπαταριών πριν από το σέρβις, τον καθαρισμό της μονάδας.

⚠ ΠΡΟΕΙΔΟΠΟΙΗΣΗ: Κατά τη συντήρηση, χρησιμοποιείτε μόνο όμοια ανταλλακτικά. Η χρήση οποιωνδήποτε άλλων εξαρτημάτων μπορεί να προκαλέσει κίνδυνο ή υλικές ζημιές. Προκειμένου να διασφαλιστεί η ασφάλεια και η αξιοπιστία, όλες οι επισκευές πρέπει να διενεργούνται από εξειδικευμένο τεχνικό σέρβις.

ΚΑΘΑΡΙΣΜΟΣ ΤΗΣ ΜΟΝΑΔΑΣ ΙΣΧΥΟΣ

- Καθαρίζετε τη μονάδα ισχύος με νωπό πανί εμποτισμένο με ήπιο απορρυπαντικό. Δεν πρέπει να εισχωρήσουν υγρά στο εσωτερικό της μονάδας ισχύος. Μη βυθίζετε ποτέ οποιοδήποτε τμήμα της μονάδας σε υγρά.
- Μη χρησιμοποιήσετε δραστικά απορρυπαντικά στο πλαστικό περίβλημα. Αυτά μπορούν να καταστραφούν από ορισμένα αρωματικά έλαια, όπως πεύκο και λεμόνι, καθώς και από διαλύτες, όπως η κηροζίνη. Η υγρασία μπορεί, επίσης, να προκαλέσει κίνδυνο ηλεκτροπληξίας. Σκουπίζετε ενδεχόμενη υγρασία με ένα μαλακό στεγνό πανί.

ΣΕΡΒΙΣ ΚΑΘΑΡΙΣΤΗ ΑΕΡΑ

Αφαίρεση

- Περιστρέψτε το κουμπί ασφάλισης αριστερόστροφα σύμφωνα με την ένδειξη επάνω σε αυτό και αφαιρέστε τον καθαριστή αέρα (Εικ. J1).

J1-1 Κουμπί κλειδώματος

GR

2. Συνιστάται να καθαρίζετε το φίλτρο πλέγματος αφρώδους υλικού με πιστόλι πεπιεσμένου αέρα εφόσον απαιτείται ή να το αντικαθιστάτε με νέο, εφόσον απαιτείται (Εικ. J2).

J2-1	Κάλυμμα καθαριστή αέρα	J2-2	Πλέγμα αφρώδους υλικού
------	------------------------	------	------------------------

Τοποθέτηση

1. Τοποθετήστε το πλέγμα αφρώδους υλικού μέσα στο κάλυμμα καθαριστή αέρα. Βεβαιωθείτε ότι όλες οι πλευρές έχουν τοποθετηθεί επίπεδα, χωρίς κάμψεις (Εικ. J3).
2. Τοποθετήστε σωστά τον καθαριστή αέρα επάνω στη μονάδα ισχύος.
3. Πιέστε και περιστρέψτε δεξιόστροφα το κουμπί ασφάλισης, για να ασφαλίσετε τον καθαριστή αέρα στη θέση του (Εικ. J4).

ΜΕΤΑΦΟΡΑ/ΑΠΟΘΗΚΕΥΣΗ

ΜΕΤΑΦΟΡΑ ΤΗΣ ΜΟΝΑΔΑ ΙΣΧΥΟΣ

⚠ ΠΡΟΣΟΧΗ: Σε περίπτωση ζημιάς στη μονάδα ισχύος, αποφεύγετε την πρόσκρουση στον άξονα PTO ή τις δυνάμεις ώθησης στον άξονα PTO (Εικ. K).

ΑΠΟΘΗΚΕΥΣΗ ΤΗΣ ΜΟΝΑΔΑΣ ΙΣΧΥΟΣ

- Αφαιρέστε τη συστοιχία μπαταριών από τη μονάδα ισχύος.
- Καθαρίστε τη μονάδα ισχύος επιμελώς πριν από την αποθήκευση.
- Αποθηκεύετε τη μονάδα ισχύος σε έναν στεγνό, καλά αεριζόμενο χώρο, εκτός εμβέλειας παιδιών. Μην αποθηκεύετε τη μονάδα ισχύος επάνω ή δίπλα σε λιπάσματα, βενζίνη ή άλλες χημικές ουσίες.

ΠΡΟΣΤΑΣΙΑ ΤΟΥ ΠΕΡΙΒΑΛΛΟΝΤΟΣ



Μην απορρίπτετε ηλεκτρικό εξοπλισμό, παλιές μπαταρίες και φορτιστές στα οικιακά απορρίμματα! Μεταφέρετε αυτό το προϊόν σε εξουσιοδοτημένο κέντρο ανακύκλωσης και παραδώστε το για ξεχωριστή συλλογή. Τα ηλεκτρικά εργαλεία πρέπει να επιστρέφονται σε περιβαλλοντικά συμβατή μονάδα ανακύκλωσης.

ΑΝΤΙΜΕΤΩΠΙΣΗ ΠΡΟΒΛΗΜΑΤΩΝ

ΠΡΟΒΛΗΜΑ	ΑΙΤΙΑ	ΑΝΤΙΜΕΤΩΠΙΣΗ
Η μονάδα ισχύος δεν εκκινείται.	<ul style="list-style-type: none"> ■ Για το PU2710/PU2710RC, ο διακόπτης λειτουργίας δεν έχει τεθεί στη θέση «START». ■ Για το PU2710E, ο συνδεδεμένος διακόπτης ενεργοποιείται πριν γυρίσει το κλειδί στη θέση «ON». ■ Η (Οι) συστοιχία(ες) μπαταριών δεν έχει (έχουν) τοποθετηθεί στη θέση της (τους) μέσα στη θήκη μπαταρίας. ■ Λοιπές μη προσδιορισμένες αιτίες. 	<ul style="list-style-type: none"> ■ Περιστρέψτε το διακόπτη στη θέση «START». ■ Γυρίστε πάντα το κλειδί στη θέση «ON» πρώτα και μετά ενεργοποιείτε τον συνδεδεμένο διακόπτη. ■ Προσαρτήστε τη (τις) συστοιχία(ες) μπαταριών στη θήκη μπαταρίας και πιέστε έως ότου ακούσετε ένα «κλικ». ■ Επικοινωνήστε με εξειδικευμένο τεχνικό σέρβις για επισκευή.
Η μονάδα ισχύος σταματάει να λειτουργεί.	<ul style="list-style-type: none"> ■ Η (Οι) συστοιχία(ες) μπαταριών έχει (έχουν) αδειάσει. ■ Υπερφόρτωση της μονάδας ισχύος. ■ Υπάρχει υπερθέρμανση στην (στις) συστοιχία(ες) μπαταριών. ■ Υπερβολική θερμοκρασία στη μονάδα ισχύος. ■ Λοιπές μη προσδιορισμένες αιτίες. 	<ul style="list-style-type: none"> ■ Φορτίστε τη (τις) συστοιχία(ες) μπαταριών. ■ Μειώστε το φορτίο λειτουργίας. ■ Μειώστε το φορτίο λειτουργίας ή αντικαταστήστε με συστοιχία μπαταριών μεγαλύτερης ισχύος. ■ Αποφεύγετε χρήση της συστοιχίας μπαταριών σε περιβάλλον με υψηλή θερμοκρασία. ■ Ελέγξτε και καθαρίστε τον καθαριστή αέρα. ■ Μειώστε το φορτίο και αποφύγετε χρήση της μονάδας ισχύος σε περιβάλλον με υψηλή θερμοκρασία. ■ Επικοινωνήστε με εξειδικευμένο τεχνικό σέρβις για επισκευή.
Η ταχύτητα δεν αλλάζει όταν περιστρέψετε το μοχλό συνεχούς ρύθμισης στροφών.	<ul style="list-style-type: none"> ■ Εάν στο περιβάλλον υπάρχει πολύς θόρυβος, είναι δύσκολο να αναγνωριστούν αλλαγές. ■ Άγνωστα σφάλματα. 	<ul style="list-style-type: none"> ■ Σταματήστε τη μονάδα ισχύος και ρυθμίστε την ταχύτητα εκ νέου. Μετρήστε τη διαφορά ταχύτητας για περαιτέρω έλεγχο εφόσον απαιτείται. ■ Επικοινωνήστε με την εξυπηρέτηση πελατών της EGO για επισκευή.
Η ταχύτητα μειώνεται αυτόματα όταν υπάρχει συνεχές βαρύ φορτίο και παραμένει χαμηλή, γεγονός που φαίνεται από τον ήχο λειτουργίας.	<ul style="list-style-type: none"> ■ Η μονάδα ισχύος διαθέτει μια αυτόματη λειτουργία ρύθμισης για προστασία από την υπερφόρτωση. 	<ul style="list-style-type: none"> ■ Μειώστε το φορτίο σύμφωνα με την τρέχουσα κατάσταση και κατόπιν η μονάδα ισχύος θα επιστρέψει στην κατάσταση πλήρους ταχύτητας.

GR

ΕΓΓΥΗΣΗ

ΠΟΛΙΤΙΚΗ ΕΓΓΥΗΣΗΣ EGO

Επισκεφθείτε την ιστοσελίδα poweredbyego.com για όλους τους όρους και τις προϋποθέσεις της πολιτικής εγγύησης EGO.

GÜVENLİK TALİMATLARI

⚠ UYARI: Bu aletle birlikte verilen tüm güvenlik uyarılarını, talimatları, resimli açıklamaları ve teknik özellikleri okuyun. Aşağıdaki talimatların tamamına uyulmaması elektrik çarpması, yangın ve/veya ciddi yaralanma ile sonuçlanabilir.

TÜM UYARI VE TALİMATLARI GELECEKTE BAŞVURU AMACIYLA MUHAFAZA EDİN.

- Çalışma alanını temiz tutun ve yeterli aydınlatma sağlayın. Karışık veya karanlık alanlar kazalara yol açar.
- Güç ünitesini yanıcı sıvı, gaz veya toz içeren patlayıcı ortamlarda çalıştırmayın.
- Dikkatinizin dağılması kontrolü kaybetmenize neden olabilir.
- Soketi (varsa) uygun fişle eşleştirin. Soket ve fiş üzerinde asla değişiklik yapmayın. Üzerinde değişiklik yapılmamış fişler ve uygun soketler elektrik çarpması riskini azaltır.
- Güç ünitesini kullanırken daima dikkatli olun, yaptığınız işe yoğunlaşın ve sağduyulu davranın. Güç ünitesini yorgunken ya da uyuşturucu, alkol ya da ilaç etkisi altındayken kullanmayın. Güç ünitesini çalıştırırken bir anlık dikkatsizlik ciddi yaralanmalara neden olabilir.
- Kişisel koruyucu ekipman kullanın. Koşullara uygun toz maskesi, kaymaz emniyet ayakkabıları, kask veya işitme koruması gibi koruyucu ekipman kullanılması yaralanmaları azaltır.
- Uygun bir şekilde giyinin. Bol giysiler giymeyin veya takı takmayın. Saçlarınızı ve elbiselerinizi hareketli parçalardan uzak tutun. Bol giysiler, takılar veya uzun saçlar hareketli parçalara takılabilir.
- Aletleri sık kullanarak edindiğiniz alışkanlık rahat olmanıza ve aletin güvenlik ilkelerini göz ardı etmenize neden olmamalıdır. Dikkatsiz bir hareket, bir saniyeden daha kısa bir sürede ağır yaralanmalara neden olabilir.



Kullanım Kılavuzunu Okuyun ve Anlayın

IPX5 Hava Girişi Koruma Derecesi

V Voltaj

- Güç ünitesinin bakımını, sadece orijinal yedek parça kullanan uzman bir tamirciye yaptırın. Bu sayede güç ünitesinin emniyetinin korunmasını sağlanır.
- Güç ünitesini alete tamamen monte etmeden çalıştırırken her zaman ekstra dikkatli olun.
- Hasarlı veya üzerinde değişiklik yapılmış bir aküyü veya aleti kullanmayın. Hasarlı veya üzerinde değişiklik yapılmış aküler yangın, patlama veya yaralanma riskine neden olacak şekilde beklenmeyen davranışlar gösterebilir.
- Aküyü veya aleti ateşe veya aşırı sıcaklıklara maruz bırakmayın. Ateşe veya 130 °C'nin üzerindeki sıcaklıklara maruz kalması patlamaya neden olabilir.
- Tüm şarj talimatlarına uyun ve aküyü veya aleti talimatlarda belirtilen sıcaklık aralığının dışındaki sıcaklıklarda şarj etmeyin. Hatalı veya belirtilen sıcaklık aralığının dışındaki sıcaklıklarda şarj etmek, aküye hasar verebilir ve yangın riskini artırır.
- Asla hasarlı akülere bakım-onarım yapmayın. Akülerin bakımı sadece üretici veya yetkili servisler tarafından yapılmalıdır.
- Akülerle ilgili önlemler için akü kullanım kılavuzuna bakın.

GÜVENLİK SEMBOLLERİ

⚠ UYARI: Elektrikli aletler kullanılırken yabancı nesnelere gözlerinize fırlayabilir ve bu da gözlerinize ciddi biçimde zarar verebilir. Elektrikli aleti kullanmaya başlamadan önce daima göz koruması veya yan siperleri olan koruyucu gözlük takın ve gerektiğinde tam yüz siperi kullanın. Gözlük üzerinde kullanım için Geniş Görüşlü Güvenlik Maskesi takmanızı veya yan siperleri olan standart koruyucu gözlük takmanızı öneririz.



Atık elektrikli ürünler, evsel atıklar ile birlikte bertaraf edilmemelidir. Yetkili bir geri dönüşüm merkezine teslim edilmelidir.



Doğru Akım

TR

TEKNİK ÖZELLİKLER

Voltaaj	56 V $\overline{\text{---}}$
Uzunluk x Geniřlik x Yükseklik	PU2710/PU2710E: 342 mm x 306 mm x 344 mm PU2710RC: 342 mm x 290 mm x 344 mm
Ađırlık (akü hariç)	PU2710/PU2710E: 11,4 kg PU2710RC: 11,5 kg
IP	IPX5
Akü portu	İkili Bađlantı Noktası
Hız kontrolü	Eco/Turbo modları (Sürekli deđişken 1200-3600 Dev./Dk.)
LED arıza göstergesi	Evet
Sođutma sistemi	Hava sođutmalı
Hava filtresi	Kolay deđiřtirilebilir sünger filtre
Net güç çıkışı	3450 dev/dk.'da 3,47 kW
Maksimum net tork	3450 dev/dk.'da 9,2 N.m
Elektronik fren	Evet
PTO mili	Yatay
PTO mili dönüşü (PTO mili tarafından)	Saat yönünün tersine
PTO mili boyutları	Bkz. řek. A2
Önerilen çalışma sıcaklığı	-15°C – 40°C
Önerilen depolama sıcaklığı	0°C – 50°C

TR

AÇIKLAMA

GÜÇ ÜNİTESİNİ TANIMANIN (řek. A1)

1. Akü bölmesi kapađı
2. Çıkarma mekanizması
3. Akü kilidi
4. Akü çıkarma yuvası
5. Kilit düđmesi
6. Hava filtresi
7. Güç düđmesi

8. LED ekran*
 - 8-a. Toplam çalışma saati (H)
 - 8-b. Bluetooth işareti
 - 8-c. Dönme hızı işareti
 - 8-d. Akü seviyesi işareti
 - 8-e. Arıza işareti
 - 8-f. Engelleme işareti
 - 8-g. Aşırı sıcaklık işareti
9. Sürekli deđişken kol*
10. Kablo deliđi/Blok
11. Taban
12. PTO mili
13. Anahtar için dış açma deliđi
14. Akü çıkarma
15. Anahtar(x2)

*NOT: Güç düđmesinin kontrol paneli kutusu, LED ekran ve sürekli deđişken kolun PU2710 / PU2710E ünitesine entegre edilmiştir, ancak PU2710RC ünitesinden ayrılmıştır.

AMBALAJ İÇERİĐİ (řEK. A1)

MONTAJ

■ PU2710

Montaj gerekmiyor.

■ PU2710RC

Kontrol paneli kutusunu güç ünitesine bađlayın (řek. B1 ve B2)

B1-1	Kablo Soketi	B1-2	Kablo Fiři
B2-1	Uç Kapađı	B2-2	Vida (x4)

■ PU2710E

Üniteyi düđme veya eşdeđeriyle (ürüne dahil deđildir) bađlayın.

1. Ön kapaktaki altı vidayı sökün ve ön kapađı çıkarın (řek. C1).
2. Güç kafasının içinde saklı iki harici bađlantı noktası vardır, somunları gevşetin (řek. C2).
3. Blođu çıkarın, güç ünitesini ve bir başlatma düđmesini veya başka bir eşdeđeri bađlamak için uygun kablolar kullanın. Bađlantı ucu bir terminal pabuçu olmalıdır ve C3 vidalarla bađlanabilir (řek. C3).
4. Blođu deđiřtirmeye ve son olarak ön kapađı deđiřtirmeye gerek yoktur (řek. C4).

C1-1	vida (x6)	C2-1	Somun ve Rondela (x2)
C3-1	Blok		

ÇALIŞTIRMA

ÇALIŞTIRMA ÖNCESİ KONTROL

■ Hava filtresi (Şek. D)

Hava filtresi parçalarının temiz ve iyi durumda olup olmadığını kontrol edin.

Gerekmesi halinde parçaları "HAVA FİLTRESİ BAKIMI" bölümündeki talimatlara göre temizleyin veya değiştirin.

⚠ İKAZ: Hava filtresi olmadan güç ünitesini asla çalıştırmayın. Aksi halde hızlı aşınma oluşur.

AKÜ TAKIMINI TAKMA/ÇIKARMA

Sadece önerilen EGO akü takımlarını ve şarj cihazlarını kullanın (Şek. A3). Optimum performans için şunların takılması önerilir: 2 x 12Ah, 2 x 10Ah veya en az 2 x 7,5Ah akü.

İlk kullanımdan önce tamamen şarj edin

1. **Akü paketini takmak için** akü dişleri ile güç ünitesinin kılavuz oluklarını hizalayın ve bir "tık" sesi duyana kadar aküyü bastırın (Şek. E1).
2. **Akü takımını çıkarmak için** akü çıkarma parçasını yuvaya yerleştirip sağ tarafa doğru itin; ardından akü, akü bölmesinden dışarı doğru itilecektir (Şek. E2).

E2-1	Akü çıkarma yuvası
------	--------------------

DİKKAT: akü sadece akü çıkarma parçası ile çıkarılabilir.

NOT: Akünün beklenmeden bir şekilde dışarı çıkarılmasına neden olabileceği için akü çıkarma parçasını yuvada bırakmayın.

GÜÇ ÜNİTESİNİN ÇALIŞTIRILMASI (ŞEK. F)

■ PU2710/PU2710RC

1. Anahtarı Güç düğmesi yuvasına takın ve saat yönünde 45° çevirerek "ON" konumuna getirin, akü takımının LED ekranı ve yeşil ışığı yandığında güç ünitesi çalışmaya hazır olacaktır.
2. Anahtarı saat yönünde 45° tekrar "START" (BAŞLAT) konumuna çevirin, güç ünitesi çalışmaya başlar.

■ PU2710E

DİKKAT: Güç ünitesini başlatmak için her zaman aşağıdaki adımları izleyin. Anahtarı "ON" (Açık) konumuna çevirmeden önce bağlı anahtar açılırsa güç ünitesi çalışmaz.

1. Anahtarı güç anahtarı yuvasına yerleştirin ve "ON" (Açık) konumuna çevirin. LED ekran ve akünün yeşil ışığı yandığında güç ünitesi çalışmaya hazır olacaktır.
2. Bağlı anahtarı açın (birlikte verilmez), güç ünitesi çalışmaya başlar.

DİKKAT: Güç ünitesi çalışmaya hazır veya çalışır durumdayken anahtar, anahtar yuvasından çıkarılamaz.

GÜÇ ÜNİTESİNİN DURDURULMASI

■ PU2710/PU2710RC

Güç ünitesini geçici olarak durdurmak için anahtarı "ON" (Açık) konumuna getirmez yeterlidir.

Güç ünitesini tamamen durdurmak için anahtarı "OFF" (Kapalı) konumuna çevirin.

■ PU2710E

Güç ünitesini geçici olarak durdurmak için, bağlı anahtarı (birlikte verilmez) kapatmanız yeterlidir.

Güç ünitesini tamamen durdurmak için anahtarı "OFF" (Kapalı) konumuna çevirin.

DİKKAT: Beklenmeden bir şekilde çalışmasını önlemek için güç ünitesini tamamen kapatmak üzere anahtarı "OFF" (Kapalı) konumuna getirin.

HIZ AYARI (ŞEK. G)

Sürekli değişken kolu çevirin ve "ECO" ile "TURBO" arasındaki hızı bulup seçmenize yardımcı olması için koldaki gösterge yuvasını kullanın.

DİKKAT: Hız, üniteyi çalıştırmadan önce de ayarlanabilir.

G-1	Gösterge yuvası
-----	-----------------

AYDINLATMA EKİPMANLARINA GÜÇ VERİLMESİ

Bu güç ünitesi, harici aydınlatma ekipmanlarına güç sağlayabilir ve voltaj, güç kafasının nominal voltajı ile tutarlıdır.

1. Ön kapaktaki altı vidayı sökün ve ön kapağı çıkarın (Şek. H1).
2. Güç ünitesinin içinde ayrılmış iki çift harici bağlantı noktası vardır; soldaki bir çift çıkış bağlantı noktasıdır ve soldaki negatif ve sağdaki pozitifdir (arayüzde pozitif ve negatif işareti vardır) (Şek. H2).
3. Bloğu çıkarın ve güç ünitesini ve aydınlatma ekipmanını bağlamak için uygun kabloları kullanın. Bağlantı ucu bir terminal pabucu olmalıdır ve M5 vidalarla bağlanabilir (Şek. H3).
4. Bloğu değiştirmeye ve son olarak ön kapağı

TR

değiştirmeye gerek yoktur (Şek. H4).

DİKKAT: Güç ünitesini korumak için 12A'dan fazla olmayan bir sigorta bağlanmalıdır. Bir sigortanın bağlanmamasından kaynaklanan herhangi bir ürün hasarı garanti kapsamında değildir.


HARİCİ EMNİYET ANAHTARINA BAĞLANTI

Güç ünitesine harici bir emniyet anahtarı bağlanarak acil durumlarda operatörün güç ünitesini zamanında durdurmasına olanak sağlanır.





1. Ön kapaktaki altı vidayı sökün ve ön kapağı çıkarın (Şek. I1).
2. Güç kafasının içinde ayrılmış iki harici bağlantı noktası vardır, sağdaki çifti kullanın. Vidaları gevşetin ve teli çıkarın (Şek. I2).
3. Bloğu çıkarın ve güç ünitesini uygun kablolarla bağlayın. Bağlantı ucu bir terminal pabucu olmalıdır ve M5 vidalarla bağlanabilir (Şek. I3).
4. Bloğu değiştirmeye ve son olarak ön kapağı değiştirmeye gerek yoktur (Şek. I4).

NOT: Güç ünitesinin harici bir emniyet anahtarı aracılığıyla durdurulması, yalnızca güç ünitesinin motorunu durdurabilir ve üniteyi tamamen kapatamaz; bu, tüm ünitenin hala gücü açık durumda olduğu anlamına gelir. Güç ünitesini yeniden başlatmak için lütfen harici emniyet anahtarının elektrik bağlantısını yeniden başlatın.

LED EKРАН GÖRÜNTÜSÜ

EKRAN	ANLAMI	İŞLEM
	kilit rotor koruması	<ul style="list-style-type: none"> Gücü kesin ve yükün etrafında herhangi bir tıkanıklık olup olmadığını kontrol edin. Temizledikten sonra güç ünitesini yeniden başlatın. Kilit rotoru koruması hala görüntüleniyorsa onarım için EGO servis merkezine iletişime geçin.

TR

	Düşük voltaj	<ul style="list-style-type: none"> Akü takım(lar)ını yeniden şarj edin.
	Akü takımı aşırı sıcaktır.	<ul style="list-style-type: none"> Hava filtresini kontrol edin ve temizleyin. Sarı LED ışığın yanıp sönmeye durana kadar akünün soğumasını bekleyin veya daha yüksek kapasiteli akü takım(lar)ını deneyin.
	Güç ünitesi aşırı sıcaklık	<ul style="list-style-type: none"> Güç ünitesinin soğumasını bekleyin. İş yükünü azaltın.
	Ana kart aşırı akım koruması	<ul style="list-style-type: none"> İş yükünü azaltmaya çalışın
	İletişim arızası	<ul style="list-style-type: none"> Onarım için EGO servis merkezine iletişime geçin.

BAKIM

⚠ UYARI: Yaralanmaları önlemek için üniteye bakım ve temizlik yapmadan önce akü takımlarını çıkarın.

⚠ UYARI: Bakım yaparken sadece orijinal yedek parçaları kullanın. Başka parçaların kullanılması tehlike

oluşturabilir veya ürünün hasar görmesine neden olabilir. Emniyet ve güvenilirliği sağlamak için tüm tamir işleri yetkili bir servis teknisyeni tarafından yapılmalıdır.

GÜÇ ÜNİTESİNİN TEMİZLENMESİ

- Güç ünitesini hafif deterjanla nemli bir bez kullanarak temizleyin. Güç ünitesine asla su girmesine izin vermeyin; güç ünitesinin herhangi bir parçasını sıvıya batırmayın.
- Plastik gövde üzerinde güçlü deterjanlar kullanmayın. Çam ve limon gibi belirli aromatik yağlar ve kerosen gibi çözücü maddeler bu yüzeylere zarar verebilir. Ayrıca nem elektrik çarpması tehlikesi oluşturabilir. Yumuşak ve kuru bir bezle nemli yerleri silin.

HAVA FİLTRESİ BAKIMI

Çıkarmak için

1. Kilit düğmesini üzerindeki simge gösterimine göre saat yönünün tersine çevirin ve hava filtresini doğrudan çıkarın (Şek. J1).

J1-1	Kilit düğmesi
------	---------------

2. Hava tabancası kullanarak sünger filtreyi ihtiyaca göre hava üfleterek temizlemeniz veya gerekirse doğrudan yenisiyle değiştirmeniz önerilir (Şek. J2).

J2-1	Hava filtresi kapağı	J2-2	Sünger filtre
------	----------------------	------	---------------

Takmak için

1. Sünger filtreyi hava filtresi kapağının içine yerleştirin. Her tarafın kabarmalar olmadan düz bir şekilde yerleştirildiğinden emin olun (Şek. J3).
2. Hava filtresini güç ünitesine düzgünce yerleştirin.
3. Hava filtresini yerine kilitlemek için kilit düğmesine basın ve saat yönünde çevirin (Şek. J4).

TAŞIMA/DEPOLAMA

GÜÇ ÜNİTESİNİN TAŞINMASI

⚠ İKAZ: Güç ünitesinin hasar görmesi durumunda lütfen PTO milinin darbe almasına veya kuvvetin PTO miline itilmesine asla izin vermeyin (Şek. K).

GÜÇ ÜNİTESİNİN DEPOLANMASI

- Akü takımlarını güç ünitesinden çıkarın.
- Güç ünitesini depolamadan önce tamamen temizleyin.
- Güç ünitesini çocukların ulaşamayacağı, kuru ve iyi havalandırılmış bir yerde depolayın. Güç ünitesini gübre, benzin veya diğer kimyasal maddelerin yakınında depolamayın.

ÇEVRE KORUMASI



Elektrikli cihazları, kullanılmış aküleri ve şarj cihazını evsel atıklarla bertaraf etmeyin! Bu ürünü yetkili bir geri dönüşüm merkezine götürün ve ayrı bir şekilde toplanmasını sağlayın. Elektrikli aletler çevreyle uyumlu bir geri dönüşüm tesisine götürülmelidir.

SORUN GİDERME

SORUN	NEDENİ	ÇÖZÜM
Güç ünitesi çalıştırmamıyor.	<ul style="list-style-type: none">PU2710/PU2710RC için, güç anahtarı "START" konumuna getirilmemiştir.PU2710E için, anahtarı "ON" (Açık) konumuna getirilmeden önce bağlı anahtar açılır.Akü takımları, akü bölgesindeki yerine takılmamıştır.Başka türlü tanımlanamayan nedenler vardır.	<ul style="list-style-type: none">Düğmeyi "START" (Başlat) konumuna getirin.Anahtarı her zaman önce "ON" (Açık) konumuna çevirin, ardından bağlı anahtarı açın.Akü takım(lar)ını akü bölgesine takın ve bir "tık" sesi duyana kadar bastırın.Onarım için yetkili bir servis teknisyeni ile iletişime geçin.
Güç ünitesi çalışmayı durduruyor.	<ul style="list-style-type: none">Akü takım(lar)ı boşalmıştır.Güç ünitesi aşırı yüklenmiştir.Akü takım(lar)ı aşırı sıcaktır.Güç ünitesi aşırı sıcaktır.Başka türlü tanımlanamayan nedenler vardır.	<ul style="list-style-type: none">Akü takım(lar)ını şarj edin.Çalışma yükünü azaltın.Çalışma yükünü azaltın veya daha büyük kapasitedeki akü takım(lar)ı ile değiştirin.Akü takım(lar)ını yüksek sıcaklıktaki ortamlarda kullanmayın.Hava filtresini kontrol edin ve temizleyin.Yükü azaltın ve güç ünitesini yüksek sıcaklıktaki ortamlarda kullanmayın.Onarım için yetkili bir servis teknisyeni ile iletişime geçin.
Sürekli değişken kolu çevirirken hızda hiçbir değişiklik olmaz.	<ul style="list-style-type: none">Ortam çok gürültülüyse değişiklikleri fark etmek zor olur.Tanımlanamayan arızalar.	<ul style="list-style-type: none">Güç ünitesini durdurun ve hızı tekrar ayarlayın. Daha fazla kontrol için gerekirse hızı ölçün.Onarım EGO müşteri hizmetleri ile irtibata geçin.
Sürekli ağır yüke maruz kaldığında hız otomatik olarak düşüyor ve çalışma sesinden de anlaşılabilir şekilde düşük hızda çalışmaya devam ediyor.	<ul style="list-style-type: none">Güç ünitesi, aşırı yük koruması için otomatik bir ayar işlevine sahiptir.	<ul style="list-style-type: none">Fiili duruma göre yükü azaltın. Ardından güç ünitesi tam hız durumuna geri dönecektir.

TR

GARANTİ

EGO GARANTİ POLİTİKASI

EGO Garanti Politikasına ilişkin tüm hükümler ve koşullar için lütfen poweredbyego.com adresindeki web sitesini ziyaret edin.

OHUTUSJUHISED

⚠ HOIATUS: Lugege läbi kõik seadmega kaasas olevad ohutushoiatused, juhised, joonised ja andmed. Alltoodud juhiste eiramine võib põhjustada elektrilööki, tulekahju ja/või tõsiseid vigastusi.

SÄILITAGE HOIATUSED JA JUHISED HILISEMAKS KASUTUSEKS.

- **Tööpiirkond peab olema puhas ja hästi valgustatud.** Täis kuhjatud või valgustamata tööpiirkonnad võivad põhjustada õnnetusi.
- **Ärge kasutage toiteseadet plahvatusohtlike keskkondades, näiteks kergesti süttivate vedelike, gaaside või tolmu läheduses.**
- Tähelepanu hajumisel võite kaotada kontrolli seadme üle.
- **Ühendage pistikupesa (kui see on olemas) õige pistikuga.** Ärge kunagi muutke pistikupesa ega pistikut mitte mingil viisil. Muutmata pistikud ja sobivad pistikupesad vähendavad elektrilöögiohtu.
- **Olge tähelepanelik, jälgige, mida teete, ja kasutage toiteseadme kasutamisel tervet mõistust.** Ärge kasutage toiteseadet, kui olete väsinud, või rohtude, alkoholi või narkootikumide mõju all. Isegi hetkeline tähelepanematus toiteseadme kasutamise ajal võib põhjustada raskeid vigastusi.
- **Kasutage isikukaitsevahendeid.** Töötingimustele vastava kaitsevarustuse (nt tolmu maski, libisemiskindlate turvajalanõude, kiivri või kuulmiskaitsete) kasutamine vähendab kehavigastuste ohtu.
- **Riietuge asjakohaselt.** Ärge kandke ehteid ega avaraid riideid. Vältige oma juuste ja riiete kokkupuudet liikuvate osadega. Liiga avarad riided, ehted ja pikad juuksed võivad liikuvate osade vahele kinni jääda.
- **Kui seade on teile sagedase kasutamise tulemusel harjumuspäraseks saanud, ärge laske ennast lõdvaks ega ignoreerige tööriista kasutamise ohutusreegleid.** Hooletuse tõttu võite saada tõsiseid vigastusi ka sekundi mürdosa jooksul.
- **Laske oma toiteseadet hooldada kvalifitseeritud remonditehnikul, kes kasutab ainult identseid originaalvaruosi.** See tagab toiteseadme ohutuse.
- **Olge alati eriti ettevaatlik, kui käivate toiteseadme ilma seda täielikult tööriistale paigaldamata.**
- **Ärge kasutage kahjustunud või modifitseeritud akuplokki ega tööriista.** Kahjustunud või modifitseeritud akud võivad toimida ettearvamatult, mille tagajärjeks võib olla tulekahju, plahvatus või vigastuste oht.
- **Vältige akuploki või tööriista kokkupuudet tule või liiga kõrge temperatuuriga.** Kokkupuude lahtise tule või temperatuuriga üle 130 °C võib põhjustada plahvatuset.
- **Järgige kõiki laadimisjuhiseid ja ärge laadige akuplokki või tööriista vale temperatuuri juures (vt juhiseid).** Valesti või valel temperatuuril laadimine võib kahjustada akut ja suurendada tulekahju ohtu.
- **Ärge kunagi hooldage kahjustunud akuplokke.** Akuplokkide hooldust võib teostada ainult tootja või volitatud teeninduskeskus.
- Akuplokkide ettevaatusabinõude kohta vaadake akuploki kasutusjuhendit.

OHUTUSSÜMBOLID

⚠ HOIATUS: Mis tahes elektriliste tööriistade kasutamine võib põhjustada võõrkehade paiskumist silma, mis võib tekitada tõsiseid silmakahjustusi. Elektriliste tööriistade kasutamise ajal kandke alati kaitseprille või külgkaitsmetega kaitseprille ja vajadusel täielikku näokaitset. Soovitame kanda prillide peal laia vaatealaga kaitsemaski või standardseid külgkaitsmetega kaitseprille.

ET



Lugege kasutusjuhend läbi ja tehke see endale selgeks

IPX5 Kaitseklass

V Pinge



Elektriseadmete jäätmeid ei tohi visata olmejäätmete hulka. Viige volitatud taaskäitleja juurde.



Alalisvool

TEHNILISED ANDMED

Pinge	56 V
Pikkus x laius x kõrgus	PU2710/PU2710E: 342 mm x 306 mm x 344 mm PU2710RC: 342 mm x 290 mm x 344 mm
Kaal (ilma akuplokita)	PU2710/PU2710E: 11.4 kg PU2710RC: 11.5 kg
IP	IPX5
Akuport	Kaks porti
Kiiruse reguleerimine	Eco/Turbo režiimid (pidevalt muutuv 1200-3600 p/min)
Tõrke LED-märgutuli	Jah
Jahutussüsteem	Õhkjahutusega
Õhupuhasti	Kergesti vahetatav käsivõrk
Netovõimsus	3,47 KW @ 3450 P/MIN
Max netopöördemoment	9,2 Nm @ 3450 P/MIN
Elektrooniline pidur	Jah
Jõuvõtuvõll	Horisontaalne
Jõuvõtuvõlli pöörlemine (jõuvõtuvõlli poolelt)	Vastupäeva
Jõuvõtuvõlli mõõtmised	Vt joonist A2
Soovituslik töökeskkonna temperatuur	-15°C – 40°C
Soovituslik hoiustamise temperatuur	0°C – 50°C

ET

KIRJELDUS

TUNNE OMA TOITSEADET (joon. A1)

1. Akupesa kate
2. Väljutusmehhanism
3. Aku lukk
4. Akuvabastuspilu
5. Lukustusnupp
6. Õhupuhasti
7. Toitelüliti*
8. LED-ekraan*
 - 8-a. Töötunnid kokku (H)
 - 8-b. Bluetoothi märk
 - 8-c. Pöörlemiskiiruse märk
 - 8-d. Aku laetustaseme nupp
 - 8-e. Rikkemärk
 - 8-f. Blokeeriv märk
 - 8-g. Ülekuumenemise märk
9. Pidevalt muutuv hoob*
10. Juhtmete auk/plokk
11. Alus
12. Jõuvõtuvõll
13. Keermeava võtme jaoks
14. Akuvabastus
15. Võti (x2)

***MÄRKUS.** Toitelüliti, LED-ekraani ja sujuvalt reguleeritava hoova juhtpaneel on integreeritud PU2710/PU2710E seadmega, kuid see on PU2710RC seadmest eraldatud.

PAKENDI LOEND (JOON. A1)

KOKKUPANEK

■ PU2710

Kokkupanek ei ole vajalik.

■ PU2710RC

Ühendage juhtpaneeli kast toiteploki (joonis B1 ja B2)

B1-1	Kaabli pesa	B1-2	Kaabli pistik
B2-1	Otsakate	B2-2	Kruvi (x4)

■ PU2710E

Ühendage seade lüliti või muu samaväärse (pole kaasas) abil.

1. Eemaldage esikaanelt kuus kruvi ja eemaldage esikaas (joonis C1).
2. Toiteotsiku sees on reserveeritud kaks välist porti, keerake mutrid lahti (joonis C2).
3. Eemaldage blokk, kasutage toiteploki ja käivituslülitit või muu samaväärse ühendamiseks sobivaid juhtmeid. Ühendusots peaks olema klemmliist ja seda saab ühendada mutrite abil (joonis C3).
4. Blokki pole vaja vahetada ja lõpuks asetage esikaas tagasi (joonis C4).

C1-1	kruvi (x6)	C2-1	Mutter ja seib (x2)
C3-1	Blokeering		

TÖÖ

KASUTAMISEELNE KONTROLL

Õhupuhasti (joon. D)

Kontrollige õhupuhasti elemente, et need oleksid puhtad ja heas korras.

Vajadusel puhastage või vahetage elemendid, järgides peatükis „ÕHUPUHASTI HOOLDUS“ toodud juhiseid.

▲ ETTEVAATUST! Ärge kunagi käivitage toiteseadet ilma õhupuhastita. Tulemuseks on kiire kulumine.

AKUPLOKI KINNITAMINE/EEMALDAMINE

Kasutage ainult soovitatud EGO akuplokke ja laadijaid (joonis A3). Optimaalse toimivuse tagamiseks on soovitatav lisada 2 x 12 Ah, 2 x 10 Ah või vähemalt 2 x 7,5 Ah akut.

Laadige enne esimest kasutamist täielikult.

1. **Akuploki kinnitamiseks** joondage aku sooned toiteseadme juhtpesadega ja vajutage akuplokki alla, kuni kuulete klõpsatust (joon. E1).
2. **Aku eemaldamiseks** asetage aku vabastuspessa ja lükake seda paremale poole; siis pumbatakse aku akupesast välja (joonis E2).

E2-1	Akuvabastuspilu
------	-----------------

MÄRKUS: akut saab eemaldada ainult aku vabastusnupu abil.

MÄRKUS: Ärge jätke akut vabastus pessa, juhuks kui aku ootamatult välja võetakse.

TOITSEADME KÄIVITAMINE (JOON. F)

■ PU2710/PU2710RC

1. Asetage võti Toitelüliti ja keerake 45° päripäeva asendisse „ON“, toiteplokk on valmis töötama LED-ekraanina ja süttib aku roheline tuli.
2. Pöörake võtit 45° päripäeva uuesti asendisse „START“, toiteseadet hakkab tööle.

■ PU2710E

MÄRKUS. Toiteploki käivitamiseks järgige alati allpool näidatud samme. Toiteploki ei saa käivitada, kui ühendatud lüliti lülitatakse sisse enne võtme keeramist asendisse „ON“.

1. Sisestage võti toitelüliti pessa ja keerake see asendisse „ON“. Toiteplokk on töövalmis, kui LED-ekraan ja aku roheline tuli süttivad.
2. Lülitage ühendatud lüliti (pole kaasas) sisse, toiteplokk hakkab tööle.

MÄRKUS: Kui toiteseadet on töövalmis või töökorras, ei saa võtit lülitipesast välja võtta.

TOITSEADME SEISKAMINE

■ PU2710/PU2710RC

Toiteseadme ajutamiseks peatamiseks keerake võti lihtsalt asendisse „ON“.

Toiteseadme täielikuks seiskamiseks keerake võti asendisse „OFF“.

■ PU2710E

Toiteploki ajutamiseks seiskamiseks lülitage lihtsalt ühendatud lüliti (pole kaasas) välja.

Toiteseadme täielikuks seiskamiseks keerake võti asendisse „OFF“.

MÄRKUS: Ootamatu käivitumise vältimiseks keerake võti asendisse „OFF“, et toiteseadet täielikult välja lülitada.

KIIRUSE REGULEERIMINE (JOON. G)

Pöörake pidevalt muutuvat hooba ja kasutage kangil olevat näidikupessa, et aidata teil leida ja valida kiiruse „ECO“ ja „TURBO“ vahel.

MÄRKUS: Kiirust saab ka enne käivitamist eelseadistada.

G-1	Paigaldusava
-----	--------------

VALGUSTUSSEADMED

See toiteseadet võib anda toidet välistele valgustusseadmetele ja pingele on kooskõlas toitepea nimipingega.

1. Eemaldage esikaanelt kuus kruvi ja esikate (joonis H1).
2. Toiteseadme sees on reserveeritud kaks paari väliseid porte, millest üks paar vasakul on väljundport ning vasakpoolne on negatiivne ja parem on positiivne (liideses on positiivse ja negatiivse märgiga) (joonis H2).
3. Eemaldage plokk ja kasutage toiteseadet ja valgustusseadmete ühendamiseks sobivaid juhtmeid. Ühendusots peab olema klemmliist ja seda saab ühendada M5 kruvidega (joonis H3).
4. Plokki pole vaja vahetada ja lõpuks asetage esikate (joonis H4).

MÄRKUS: Toiteploki kaitsmiseks tuleb ühendada kuni 12A kaitse. Kaitsme ühendamata jätmisest põhjustatud tootekahjustused ei kuulu garantii alla.

ÜHENDUS VÄLISE OHUTUSLÜLITIGA





Toiteploki saab ühendada välise ohutuslüli, mis võimaldab operaatoril hädaolukorras toiteseadme õigeaegselt peatada.

1. Eemaldage esikaanelt kuus kruvi ja eemaldage esikate (joonis I1).
2. Toitepea sees on reserveeritud kaks välist porti, kasutage parempoolset paari. keerake kruvid lahti ja eemaldage juhe (joonis I2).
3. Eemaldage plokk ja ühendage toiteseadet sobivate juhtmetega. Ühendusots peaks olema klemmliist ja seda saab ühendada M5 kruvidega (joonis I3).
4. Plokki pole vaja vahetada ja lõpuks asetage esikate (joonis I4).

MÄRKUS: Toiteseadme seiskamine välise ohutuslüli kaudu võib peatada ainult toiteseadme mootori ja seadet ei saa täielikult välja lülitada, mis tähendab, et kogu seade on endiselt sisselülitatud olekus. Toiteseadme taaskäivitamiseks taaskäivitage välise ohutuslüli elektriühendus.

ET

LED EKRAANI EKRAAN

EKRAAN	TÄHENDUS	TOIMING
	lukustusrootori kaitse	<ul style="list-style-type: none"> ▪ Lülitage toide välja ja kontrollige, ega koormuse ümber pole ummistusi. Pärast puhastamist taaskäivitage toiteseadet. Kui lukustusrootori kaitse ikka kuvatakse, võtke remondiks ühendust EGO teeninduskeskusega.
	Madalpinge	<ul style="list-style-type: none"> ▪ Laadige akuplokki/akuplokke.
	Akuplokk on ülekuumenenud.	<ul style="list-style-type: none"> ▪ Kontrollige ja puhastage õhupuhastit. ▪ Laske akul jahtuda, kuni kollane LED-tuli lõpetab vilkumise, või proovige suurema mahutavusega akut.
	Toiteseadet on ülekuumenenud	<ul style="list-style-type: none"> ▪ Oodake, kuni toiteseadet jahtub. ▪ Vähendage töökoormust.

88 ⁰⁵	Põhiplaadi ülevoolukaitse	<ul style="list-style-type: none"> Proovige töökoormust vähendada
88 ⁰⁶	Ühenduse viga	<ul style="list-style-type: none"> Võtke seadme remontimiseks ühendust EGO hoolduskeskusega.

HOOLDUS

⚠ HOIATUS: Vigastuste vältimiseks eemaldage enne seadme hooldamist ja puhastamist akuplokid.

⚠ HOIATUS: Hooldusel ja remontimisel kasutage vaid originaalvaruosi. Mis tahes muude osade kasutamine võib põhjustada ohtlikke olukordi või seadet vigastada. Turvalisuse ja vastupidavuse tagamiseks peab kõiki parandustöid läbi viima kvalifitseeritud hooldustehnik.

TOITSEADME PUHASTAMINE

- Seadme puhastamiseks kasutage õrnatoimelise puhastusvahendiga immutatud niisket lappi. Ärge kunagi laske vedelikul toiteseadme sisse sattuda ja ärge kunagi pange toiteseadme osi vedeliku sisse.
- Ärge kasutage plastkorpuse peal tugevaid puhastusvahendeid. Seadme osi võivad kahjustada teatud aromaatsed õlid (nt männi- või sidruniõli) ja teatud lahustid (nt petrooleum). Niiskus võib tekitada elektrilöögiho. Eemaldage niiskus pehme kuiva lapiga.

ÕHUPUHASTI HOOLDUS

Eemaldamiseks

- Keerake lukustusnuppu vastupäeva vastavalt sellel olevale joonisele ja võtke õhupuhasti otse välja (Joon. J1)

J1-1	Lukustusnupp
------	--------------

- Käsnvõrgust filtri puhtaks puhumiseks on soovitatav kasutada vastavalt vajadusele õhupuhurit või vajadusel vahetada see välja uue vastu (Joon. J2).

J2-1	Õhupuhasti kate	J2-2	Käsnvõrk
------	-----------------	------	----------

Paigaldamiseks

- Asetage käsnvõrk õhupuhasti katesse. Veenduge, et kõik küljed oleksid lamedad ja ilma kühmudeta (joonis J3).
- Asetage õhupuhasti korralikult toiteseadmele.
- Õhupuhasti kohale lukustamiseks vajutage ja keerake lukustusnuppu päripäeva (joon. J4).

TRANSPORTIMINE / HOIUSTAMINE

TOITSEADME TRANSPORTIMINE

⚠ ETTEVAATUST! Toiteseadme kahjustamise korral ärge laske jõuvõtuvõlliil kunagi lööki saada ega jõul jõuvõtuvõlli sisse suruda (joon. K).

TOITSEADME HOIUSTAMINE

- Eemaldage akuplokid toiteseadme küljest.
- Enne hoiustamist puhastage toiteseadme hoolikalt.
- Hoidke toiteseadet kuivas, hästiventileeritud ning lastele ligipääsmatus kohas. Ärge hoiustage toiteseadet väetiste, bensiini või muude kemikaalide peal või lähedal.

KESKKONNAKAITSE



Ärge visake elektriseadmeid, kasutatud akut ega laadurit olmeprügi hulka! Viige toode volitatud taaskäitleja juurde ja võimaldage selle komponendid sorteerituna kõrvaldada. Elektritööriistad tuleb viia keskkonnakaitsenõudeid järgivasse jäätmekäitluskeskusesse.

TÖRKEOTSING

PROBLEEM	PÕHJUS	LAHENDUS
Toiteseade ei käivitu.	<ul style="list-style-type: none"> ■ PU2710/PU2710RC puhul ei ole toitelüliti lülitatud asendisse "START". ■ PU2710E puhul lülitatakse ühendatud lüliti sisse enne võtme keeramist asendisse "ON". ■ Akuplokk (akuplokid) ei ole akupesas oma kohale kinnitatud. ■ Muud tuvastamata põhjused. 	<ul style="list-style-type: none"> ■ Keerake lüliti asendisse "START". ■ Alati keerake võti esmalt asendisse "ON", seejärel lülitage ühendatud lüliti sisse. ■ Paigaldage akuplokk (akuplokid) akupesasse ja vajutage seda, kuni kuulete klõpsatust. ■ Võtke remondiks ühendust kvalifitseeritud hooldustehnikuga.
Toiteseade lakkab töötamast.	<ul style="list-style-type: none"> ■ Akuplokk on tühi (akuplokid on tühjad). ■ Toiteseade on ülekoormatud. ■ Akuplokk (akuplokid) on ülekuumenenud. ■ Toiteseade on ülekuumenenud. ■ Muud tuvastamata põhjused. 	<ul style="list-style-type: none"> ■ Laadige akuplokki (akuplokke). ■ Vähendage töökoormust. ■ Vähendage töökoormust või asendage suurema võimsusega akuplokkiga (akuplokkidega). ■ Vältige akuploki (akuplokkide) kasutamist kõrge temperatuuril. ■ Kontrollige ja puhastage õhupuhastit. ■ Vähendage koormust ja vältige toiteseadme kasutamist kõrge temperatuuriga keskkonnas. ■ Võtke remondiks ühendust kvalifitseeritud hooldustehnikuga.
Pidevalt muutuva hoova keeramisel kiirus ei muutu.	<ul style="list-style-type: none"> ■ Kui ümbrus on liiga mürarikas, on muutusi raske ära tunda. ■ Tuvastamata vead. 	<ul style="list-style-type: none"> ■ Peatage toiteplokk ja reguleerige uuesti kiirust. Mõõtki kiiruse erinevust, et vajadusel täiendavalt kontrollida. ■ Küsige abi EGO hoolduskeskusest.
Kiirus langeb automaatselt pideva suure koormuse korral ja püsib madalal kiirustasemel, mida saab tuvastada töötamisheli abil.	<ul style="list-style-type: none"> ■ Toiteseadmel on ülekoormuskaitseks automaatne reguleerimisfunktsioon. 	<ul style="list-style-type: none"> ■ Vähendage koormust vastavalt tegelikule olukorrale ja siis toiteseade naaseb täiskiiresse.

ET

GARANTII

EGO GARANTIIPÕHIMÕTTED

Täielikud EGO garantiitingimused leiate veebilehelt poweredbyego.com.

ПРАВИЛА ТЕХНІКИ БЕЗПЕКИ

⚠ ПОПЕРЕДЖЕННЯ. Прочитайте всі попередження безпеки, інструкції, ілюстрації та характеристики, надані з цим інструментом. Недотримання наведених нижче інструкцій може спричинити ураження електричним струмом, пожежу та/або серйозні травми.

ЗБЕРІГАЙТЕ ВСІ ПОПЕРЕДЖЕННЯ ТА ІНСТРУКЦІЇ ДЛЯ ВИКОРИСТАННЯ В МАЙБУТЬОМУ.

- Робоче місце має бути чистим і гарно освітленим. Неприбрана або погано освітлена робоча зона може стати причиною нещасного випадку.
- Не працюйте з приводним блоком у вибухонебезпечному середовищі, наприклад за наявності легкозаймистих рідин, газів або пилу.
- Це може відволікати вас і призвести до втрати контролю.
- Сумістіть гніздо (у відповідних випадках) з відповідним штекером. Заборонено модифікувати гніздо і штекер будь-яким чином. Використання штекерів і гнізд, у які не вносилися зміни, зменшує ризик ураження електричним струмом.
- Під час роботи з приводним блоком будьте уважними, стежте за своїми діями та мисліть розсудливо. Не працюйте з приводним блоком, якщо ви втомлені або перебуваєте під дією наркотичних речовин, алкоголю чи ліків. Мить неуважності під час роботи з приводним блоком може призвести до серйозних травм.
- Використовуйте засоби особистого захисту. Використання у відповідних умовах таких захисних засобів, як протипиловий респіратор, неслизьке захисне взуття, шолом-каска і навушники допоможе зменшити ризик травмування.
- Одягайтеся належним чином. Не носіть вільного одягу або прикрас. Стежте за тим, щоб волосся та одяг не потрапили на рухомі частини. Вільний одяг, прикраси або довге волосся можуть потрапити в рухомі частини.
- Не дозволяйте навичкам, отриманим після частого використання інструментів, змусити вас стати самовпевненими та ігнорувати принципи безпеки інструмента. Недбала дія може спричинити серйозну травму протягом доли секунди.

- Обслуговування приводного блока повинен виконувати кваліфікований ремонтник із використанням лише ідентичних запасних частин. Це забезпечить нормальну роботу приводного блока.
- Завжди будьте особливо обережні, коли запускаєте приводний блок, повністю не зібравши інструмент.
- Не використовуйте акумуляторну батарею або інструмент, які пошкоджено або змінено. Пошкоджені або змінені батареї можуть мати непередбачувану поведінку, що може спричинити пожежу, вибух або ризик травмування.
- Не піддавайте акумуляторну батарею або інструмент дії вогню або високих температур. Вогонь або температура вище 130°C може спричинити вибух.
- Дотримуйтесь усіх інструкцій щодо заряджання та не заряджайте акумуляторну батарею або інструмент за межами температурного діапазону, зазначеного в інструкціях. Зарядження неналежним чином або при температурах за межами вказаного діапазону може пошкодити акумулятор і збільшити ризик виникнення пожежі.
- Ніколи не ремонтуйте пошкоджені акумулятори. Сервісне обслуговування акумуляторних батарей має виконувати лише виробник або авторизовані постачальники послуг.
- Див. запобіжні заходи під час використання акумуляторних батарей див. у посібнику з експлуатації акумулятора.

СИМВОЛИ, ЩО СТОСУЮТЬСЯ БЕЗПЕКИ

⚠ ПОПЕРЕДЖЕННЯ. Використання будь-яких електроінструментів може призвести до потраплення сторонніх предметів в очі, що може спричинити серйозне пошкодження очей. Перед початком експлуатації електроінструмента завжди надягайте закриті захисні окуляри або відкриті захисні окуляри з бічними щитами та, якщо потрібно, повнопрофільну захисну маску. Ми рекомендуємо захисну маску широкого розміру для використання поверх окулярів або стандартні відкриті захисні окуляри з бічними щитами.

UK



Ознайомтеся з посібником користувача

IPX5 Ступінь захисту від пилу та вологи

B Напруга



Відходи електричних виробів не слід викидати разом із побутовим сміттям. Зверніться до авторизованого пункту переробки.



Постійний струм

ТЕХНІЧНІ ХАРАКТЕРИСТИКИ

Напруга	56 В
Довжина x ширина x висота	PU2710/PU2710E: 342 mm x 306 mm x 344 mm PU2710RC: 342 mm x 290 mm x 344 mm
Вага (без акумулятора)	PU2710/PU2710E: 11.4 кг PU2710RC: 11.5 кг
IP	IPX5
Порт для акумулятора	два порти
Регулятор швидкості	Режими «Еко»/«Турбо» (безступінчасте регулювання від 1200 до 3600 об./хв)
Світлодіодний індикатор несправності	Так
Система охолодження	3 повітряним охолодженням
Повітряний фільтр	Легкозамінна губчаста сітка
Корисна вихідна потужність	3,47 кВт при 3450 об./хв
Макс. ефективний крутний момент	9,2 Н·м при 3450 об./хв
Електронне гальмо	Так
Вал відбору потужності	Горизонтальний
Обертання вала відбору потужності (з боку вала відбору потужності)	Проти годинникової стрілки
Розміри вала відбору потужності	Див. рис. A2

Рекомендована робоча температура	-15°C...+40°C
Рекомендована температура зберігання	0°C...50°C

ОПИС

ОЗНАЙОМЛЕННЯ З ПРИВОДНИМ БЛОКОМ (рис. A1)

- Кришка батарейного відсіку
- Механізм викидання
- Замок акумулятора
- Гніздо фіксатора акумулятора
- Ручка блокування
- Повітряний фільтр
- Вимикач живлення*
- Світлодіодний екран*
 - Загальна тривалість роботи (год)
 - Знак Bluetooth
 - Знак швидкості обертання
 - Знак рівня заряду акумулятора
 - Знак несправності
 - Знак блокування
 - Знак перевищення температури
- Безступінчастий важіль*
- Отвір для проводки/блок
- Основа
- Вал відбору потужності
- Різьбовий отвір для ключа
- Фіксатор акумулятора
- Ключ (2 шт.)

*ПРИМІТКА. Коробка панелі керування з вимикачем живлення, світлодіодним екраном і важелем плавного регулювання інтегрована з блоком PU2710/PU2710E, але вона відокремлена від блока PU2710RC.

UK

ПАКУВАЛЬНИЙ СПИСОК (РИС. А1)

ЗБИРАННЯ

■ PU2710

Збирання не потрібне.

■ PU2710RC

Підключіть коробку панелі керування до блока живлення (рис. В1 та В2)

В1-1	Кабельний роз'єм	В1-2	Кабельний штекер
В2-1	Торцева кришка	В2-2	Гвинт (x4)

■ PU2710E

Підключіть пристрій за допомогою вимикача або іншого відповідника (не входить у комплект).

1. Зніміть шість гвинтів із передньої кришки та зніміть передню кришку (рис. С1).
2. У середині приводної головки зарезервовано два зовнішні порти, відкрутіть гайки (рис. С2).
3. Зніміть блок, використовуйте відповідні дроти для підключення приводного блока та пускового вимикача або іншого відповідника. З'єднувальний кінець має бути клемним наконечником і може бути під'єднаний за допомогою гайок (рис. С3).
4. Не потрібно встановлювати блок, і наразті встановіть на місце передню кришку (рис. С4).

С1-1	гвинт (x6)	С2-1	Гайка та шайба (x2)
С3-1	Блок		

ЕКСПЛУАТАЦІЯ

ПЕРЕДЕКСПЛУАТАЦІЙНА ПЕРЕВІРКА

Повітряний фільтр (рис. D)

Перевірте елементи повітряного фільтра, щоб переконатися, що вони чисті та в хорошому стані.

У разі необхідності очистьте або замініть елементи, дотримуючись інструкцій у розділі «ОБСЛУГОВУВАННЯ ПОВІТРЯНОГО ФІЛЬТРА».

▲ ЗАСТЕРЕЖЕННЯ. Ніколи не запускайте приводний блок без повітряного фільтра. Це призведе до швидкого зносу.

УСТАНОВЛЕННЯ/ЗНЯТТЯ АКУМУЛЯТОРА

Використовуйте лише рекомендовані акумулятори та зарядні пристрої EGO (рис. А3). Для оптимальної продуктивності рекомендується приєднати: 2

акумулятори по 12 А-год, 2 акумулятори по 10 А-год або принаймні 2 акумулятори по 7,5 А-год.

Повністю зарядіть перед першим використанням

1. Щоб прикріпити акумуляторну батарею, вирівняйте виступи на акумуляторі з напрямними пазами на приводному блоці й натисніть на акумуляторну батарею до кляцання (рис. Е1).
2. Щоб від'єднати акумуляторну батарею, вставте фіксатор акумулятора в гніздо та посуňte його праворуч; потім акумулятор вискочить із відсіку акумулятора (рис. Е2).

E2-1	Гніздо фіксатора акумулятора
------	------------------------------

ПРИМІТКА: акумулятор можна від'єднати лише за допомогою фіксатора акумулятора.

ПРИМІТКА. Не залишайте фіксатор акумулятора в гнізді, щоб уникнути неочікуваного виймання акумулятора.

ЗАПУСК ПРИВІДНОГО БЛОКА (РИС. F)

■ PU2710/PU2710RC

1. Вставте ключ у гніздо Вимикач живлення і поверніть на 45° за годинниковою стрілкою в положення **ON** (УВІМК.), приводний блок буде готовий до роботи, коли засвітиться світлодіодний екран і зелений індикатор акумуляторної батареї.
2. Знову поверніть ключ на 45° за годинниковою стрілкою в положення **START** (ПУСК), приводний блок почне працювати.

■ PU2710E

ПРИМІТКА. Завжди виконуйте наведені нижче кроки, щоб запустити приводний блок. Приводний блок не може запуститися, якщо підключений вимикач увімкнено до того, як ви повернули ключ у положення "ON" (УВІМК.).

1. Вставте ключ у гніздо вимикача живлення й поверніть його в положення "ON" (УВІМК.). Приводний блок буде готовий до роботи, коли ввімкнеться світлодіодний екран і зелений індикатор акумуляторної батареї.
2. Увімкніть підключений вимикач (не входить у комплект), приводний блок почне працювати.

ПРИМІТКА. Ключ не можна виймати з гнізда вимикача, коли приводний блок готовий до роботи або працює.

ЗУПИНКА ПРИВІДНОГО БЛОКА

■ PU2710/PU2710RC

Щоб тимчасово зупинити приводний блок достатньо повернути ключ у положення **ON** (УВІМК.).

UK

Щоб повністю зупинити приводний блок, поверніть ключ у положення **OFF** (ВИМК).

■ **PU2710E**

Щоб тимчасово зупинити приводний блок, просто вимкніть підключений вимикач (не входить у комплект).

Щоб повністю зупинити приводний блок, поверніть ключ у положення **“OFF”** (ВИМК).

ПРИМІТКА. Для запобігання неочікуваному запуску поверніть ключ у положення OFF (ВИМК), щоб повністю вимкнути приводний блок.

РЕГУЛЮВАННЯ ШВИДКОСТІ (РИС. G)

Поверніть безступінчастий важіль і використовуйте індикаторний проріз на важелі, щоб знайти та вибрати швидкість між ЕКО та ТУРБО.

ПРИМІТКА. Швидкість також можна наперед установити перед запуском.

G-1	Індикаторний проріз
-----	---------------------

ЖИВЛЕННЯ ОСВІТЛЮВАЛЬНОГО ОБЛАДНАННЯ

Цей приводний блок може подавати живлення на зовнішнє освітлювальне обладнання, а напруга відповідає номінальній напрузі приводної головки.

1. Зніміть шість гвинтів із передньої кришки та зніміть передню кришку (рис. H1).
2. Усередині приводного блока зарезервовано дві пари зовнішніх портів, причому одна пара зліва є вихідним портом, лівий порт є негативним, а правий – позитивним (зі знаком «плюс» і «мінус» на роз'ємі) (рис. H2).
3. Зніміть блок і використовуйте відповідні дроти для з'єднання приводного блока та освітлювального обладнання. З'єднувальний кінець має бути клемним наконечником і може бути під'єднаний за допомогою гвинтів М5 (рис. H3).
4. Не потрібно встановлювати блок, і нарешті встановіть на місце передню кришку (рис. H4).

ПРИМІТКА. Для захисту приводного блока має бути підключений запобіжник номіналом не більше 12 А. Гарантія не поширюється на будь-які пошкодження виробу, спричинені відсутністю підключення запобіжника.

ПІДКЛЮЧЕННЯ ДО ЗОВНІШНЬОГО ЗАХИСНОГО ВИМИКАЧА



До приводного блока може бути підключений зовнішній запобіжний вимикач, що дає оператору змогу своєчасно

зупиняти приводний блок у разі виникнення аварійних ситуацій.

1. Зніміть шість гвинтів із передньої кришки та встановіть на місце передню кришку (рис. I1).
2. Усередині приводної головки зарезервовано два зовнішні порти, використовуйте пару праворуч. Відкрутіть гвинти та зніміть провід (рис. I2).
3. Зніміть блок і підключіть приводний блок відповідними проводами. З'єднувальний кінець має бути клемним наконечником і може бути під'єднаний за допомогою гвинтів М5 (рис. I3).
4. Немає потреби встановлювати на місце блок і, нарешті, установіть на місце передню кришку (рис. I4).

ПРИМІТКА. Зупинка приводного блока за допомогою зовнішнього захисного вимикача може зупинити мотор приводного блока та не може повністю вимкнути блок; це означає, що весь блок усе ще перебуває у ввімкненому стані. Для перезапуску приводного блока відновіть електричне з'єднання зовнішнього захисного вимикача.

СВІТЛОДИОДНИЙ ЕКРАН

ІНДИКАЦІЯ	ЗНАЧЕННЯ	ДІЯ
	захисне блокування ротора	<ul style="list-style-type: none"> Вимкніть живлення та перевірте, чи немає перешкод навколо навантаження. Після очищення перезапустіть приводний блок. Якщо захист від блокування ротора все ще відображається, зверніться до сервісного центру EGO для ремонту.
	Низька напруга	<ul style="list-style-type: none"> Зарядіть акумуляторну батарею (батареї).

UK

 	<p>Перевищення температури акумуляторної батареї</p>	<ul style="list-style-type: none"> Перевірте й очистьте повітряний фільтр. Дайте акумулятору охолонути, доки жовтий світлодіод не перестане блимати, або спробуйте акумулятори більшої ємності.
 	<p>Перевищення температури приводного блока</p>	<ul style="list-style-type: none"> Зачекайте, доки приводний блок охолоне. Зменште робоче навантаження.
	<p>Захист від перевантаження по струму основної плати</p>	<ul style="list-style-type: none"> Спробуйте зменшити робоче навантаження
	<p>Збій зв'язку</p>	<ul style="list-style-type: none"> Зверніться до сервісного центру EGO для ремонту.

ОБСЛУГОВУВАННЯ

⚠ ПОПЕРЕДЖЕННЯ. Вийміть акумуляторні батареї перед обслуговуванням, чищенням або видаленням блока.

⚠ ПОПЕРЕДЖЕННЯ. Використовуйте для технічного обслуговування лише ідентичні запчастини. Використання будь-яких інших частин створює небезпеку або може призвести до поломки виробу. Для гарантування безпеки та надійності всі ремонтні роботи повинен проводити кваліфікований технічний спеціаліст.

ОЧИЩЕННЯ ПРИВОДНОЇ ГОЛОВКИ

- Очистьте приводний блок вологою ганчіркою з м'яким мийним засобом. Ніколи не допускайте потрапляння рідини всередину приводного блока; ніколи не занурюйте будь-яку частину приводного блока в рідину.
- Не використовуйте сильні мийні засоби на пластиковому корпусі. Вони можуть бути пошкоджені деякими ароматичними маслами, наприклад хвойним і лимонним, а також розчинниками, такими як гас. Вологість також може становити небезпеку удару. Обережно протріть вологу м'якою сухою тканиною.

ОБСЛУГОВУВАННЯ ПОВІТРЯНОГО ФІЛЬТРА

Видалення

- Поверніть ручку фіксатора проти годинникової стрілки відповідно до зображеного на ній значка та витягніть повітряний фільтр безпосередньо (рис. J1).

J1-1	Ручка блокування
------	------------------

- Рекомендовано використовувати повітряний пістолет для очищення губчастого сітчастого фільтра в міру необхідності або безпосередньо замінювати новий, якщо необхідно (рис. J2).

J2-1	Кришка повітряного фільтра	J2-2	Губчаста сітка
------	----------------------------	------	----------------

Установлення

- Помістіть губчасту сітку в кришку повітряного фільтра. Переконайтеся, що всі сторони укладені рівно, без нерівностей (рис. J3).
- Правильно встановіть повітряний фільтр на приводний блок.
- Натисніть і поверніть ручку фіксатора за годинниковою стрілкою, щоб зафіксувати повітряний фільтр на місці (рис. J4).

ТРАНСПОРТУВАННЯ/ ЗБЕРІГАННЯ

ТРАНСПОРТУВАННЯ ПРИВОДНОГО БЛОКА

⚠ ЗАСТЕРЕЖЕННЯ. У разі пошкодження приводного блока ніколи не допускайте ударів вала відбору потужності та не натискайте на вал відбору потужності (рис. K).

UK

ЗБЕРІГАННЯ ПРИВОДНОГО БЛОКА

- Вийміть акумуляторну батарею з приводного блока.
- Перед зберіганням слід ретельно очистити приводний блок.
- Зберігайте приводний блок у сухому, добре вентильованому, недоступному для дітей місці. Не зберігайте приводний блок біля мінеральних добрив, бензину та інших хімікатів.

ЗАХИСТ ДОВКІЛЛЯ



Не викидайте електричне обладнання, акумулятор і зарядний пристрій у побутові відходи! Віднесіть цей виріб авторизованому переробнику й надайте його для роздільного збирання. Електроінструменти необхідно повернути в підприємство, що займається екологічно безпечною переробкою.

УСУНЕННЯ НЕСПРАВНОСТЕЙ

НЕСПРАВНІСТЬ	ПРИЧИНА	ВИРІШЕННЯ
Приводний блок не запускається.	<ul style="list-style-type: none"> Для PU2710/PU2710RC вимикач живлення не перемикається в положення "START" (ПУСК). Для PU2710E підключений вимикач вмикається перед поворотом ключа в положення "ON" (УВІМК.). Акумуляторна батарея (батареї не встановлена на місце в батарейному відсіку). Інші невідомі причини. 	<ul style="list-style-type: none"> Поверніть перемикач у положення START (ПУСК). Завжди спочатку повертайте ключ у положення "ON" (УВІМК.), а потім вмикайте підключений вимикач. Засуньте акумуляторну батарею в батарейний відсік, доки не почуєте «кляцання». Зверніться до кваліфікованого фахівця з обслуговування для ремонту.
Приводний блок припиняє працювати.	<ul style="list-style-type: none"> Акумуляторна батарея розряджена. Силовий агрегат перевантажений. Акумулятор(и) або перегрів Перегрів приводного блока Інші невідомі причини. 	<ul style="list-style-type: none"> Зарядіть акумуляторну батарею (батареї). Зменште робоче навантаження. Зменште робоче навантаження або замініть на акумулятор(и) більшої ємності. Уникайте використання акумуляторних батарей в умовах високих температур. Перевірте й очистьте повітряний фільтр. Зменште навантаження та уникайте використання приводного блока в умовах високих температур. Зверніться до кваліфікованого фахівця з обслуговування для ремонту.
Швидкість не змінюється, коли ви повертаєте безступінчастий важіль.	<ul style="list-style-type: none"> Якщо навколо занадто шумно, важко розпізнати зміни. Невідомі несправності. 	<ul style="list-style-type: none"> Зупиніть приводний блок і знову відрегулюйте швидкість. Виміряйте різницю швидкостей для подальшої перевірки за необхідності. Зверніться до клієнтської служби EGO для ремонту.
Швидкість автоматично знижується під час тривалого навантаженні і підтримання низького рівня швидкості, що можна визначити за звуком роботи.	<ul style="list-style-type: none"> Приводний блок має функцію автоматичного регулювання для захисту від перевантаження. 	<ul style="list-style-type: none"> Зменште навантаження згідно з реальною ситуацією, після чого приводний блок повернеться в режим повної швидкості.

UK

ГАРАНТІЯ

ПРАВИЛА ГАРАНТІЇ EGO

Відвідайте веб-сайт poweredbyego.com для отримання повного тексту умов гарантіїної політики EGO.

ИНСТРУКЦИИ ЗА БЕЗОПАСНОСТ

⚠ ПРЕДУПРЕЖДЕНИЕ: Прочетете всички предупреждения за безопасност, инструкции, илюстрации и спецификации предоставени с този инструмент. Неспазването на всички инструкции изброени долу може да доведе до токов удар, пожар и/или сериозно нараняване.

ЗАПАЗЕТЕ ВСИЧКИ ПРЕДУПРЕЖДЕНИЯ И ИНСТРУКЦИИ ЗА БЪДЕЩА СПРАВКА.

- Поддържайте работната зона чиста и добре осветена. Разхвърляни или тъмни работни зони пораждат инциденти.
- Не работете със задвижващото устройство в експлозивна атмосфера, като например в присъствието на запалими течности, газ или прах.
- Разсейването може да причини загуба на контрол.
- Съчетайте контакта (ако е приложимо) с подходящ щепсел. Никога не модифицирайте контакта и щепсела по какъвто и да е начин. Немодифицираните щепсели и съответстващите контакти ще намалят риска от електрически шок.
- Внимавайте, гледайте какво правите и използвайте здрав разум, когато работите със задвижващото устройство. Не използвайте задвижващото устройство, когато сте уморени или когато сте под влияние на наркотици, алкохол или лекарства. Момент невнимание по време на работата със задвижващото устройство може да доведе до сериозно лично нараняване.
- Използвайте лични предпазни средства. Защитно оборудване като прахови маски, не плъзгащи се безопасно обувки, твърда каска или защита за слуха използвана при подходящи условия ще намали риска от лични наранявания.
- Облечете се подходящо. Не носете отпуснати дрехи или бижута. Дръжте косата и дрехите си далеч от движещи се части. Отпуснати дрехи, бижута или дълга коса, могат да бъдат хванати в движещите се части.
- Не позволявайте на рутината, придобита от честата употреба на инструмента, да позволи небрежност небрежни и игнориране на принципите за безопасност при работа с инструмента. Небрежно действие може да причини сериозно нараняване за части от секундата.

- Обслужвайте вашето задвижващо устройство чрез квалифициран техник, като използвате само идентични резервни части. Това ще осигури поддържането на безопасност на задвижващото устройство.
- Винаги бъдете изключително внимателни, когато стартирате задвижващото устройство без да сте го сглобили към инструмента напълно.
- Не използвайте акумулаторна батерия или инструмент, които са повредени или модифицирани. Повредените или модифицираните батерии може да проявят непредсказуемо поведение, което да доведе до пожар, експлозия или риск от нараняване.
- Не излагайте батерията или инструмента на огън или прекомерна температура. Излагане на огън или температури над 130 °C може да причини експлозия.
- Следвайте всички инструкции за зареждане и не зареждайте батерията или инструмента извън температурния обхват зададен в инструкциите. Неправилното зареждане или зареждане извън определения температурен обхват може да повреди батерията и да повиши риска от пожар.
- Никога не поправяйте повредени акумулаторни батерии. Ремонтът на акумулаторни батерии трябва да бъде извършван от производителя или оторизиран сервис.
- Вижте ръководството с инструкции за акумулаторната батерия относно предпазните мерки за акумулаторни батерии.

СИМВОЛИ ЗА БЕЗОПАСНОСТ

⚠ ПРЕДУПРЕЖДЕНИЕ: Експлоатацията на всички електрически инструменти, може да доведе до изхвърляне на чужди предмети към вашите очи, което може да доведе до сериозно нараняване на очите. Преди започване на работа с електрически инструмент, винаги носете предпазни очила със странична защита и визьор за цялото лице, когато е необходимо. Ние препоръчваме предпазна маска с широк визьор за употреба над очила или стандартни предпазни очила със странична защита.



Прочетете и разберете ръководството на оператора

IPX5 Степен на защита от навлизане на вода

V Напрежение



Отпадъчните електрически продукти не трябва да бъдат изхвърляни заедно с домакинския отпадък. Отнесете го до упълномощено място за рециклиране.



Постоянен ток

СПЕЦИФИКАЦИЯ

Напрежение	56 V ---
Дължина x ширина x височина	PU2710/PU2710E: 342 мм x 306 мм x 344 мм PU2710RC: 342 мм x 290 мм x 344 мм
Тегло (без акумулаторна батерия)	PU2710/PU2710E: 11.4 кг PU2710RC: 11.5 кг
IP	IPX5
Порт за батерия	Два порта
Регулатор на скоростта	Режими икономичен/турбо (плавно регулиране на 1200-3600 об/мин)
Светодиоден индикатор на неизправност	Да
Охлаждаща система	С въздушно охлаждане
Въздушен филтър	Лесно сменящ се мрежест филтър
Нетна изходна мощност	3,47 KW при 3450 об/мин
Макс. нетен въртящ момент	9,2 Nm при 3450 об/мин
Електронна спирачка	Да
Вал за отвеждане на мощност	Хоризонтално
Въртене на вала за отвеждане на мощност (от страната на вала за отвеждане на мощност)	Обратно на часовника
Размери на вала за отвеждане на мощност	Вижте Фиг. А2

Препоръчителна работна температура	-15°C – 40°C
Препоръчителна температура на съхранение	0°C – 50°C

ОПИСАНИЕ

ОПОЗНАЙТЕ ВАШЕТО ЗАДВИЖАЩО УСТРОЙСТВО (Фиг. А1)

- Капак на отделението за батериите
- Механизъм за изваждане
- Фиксатор на батерията
- Слот за освобождаване на батерията
- Бутон за заключване
- Въздушен филтър
- Превключвател на захранването*
- LED екран*
 - Общ брой работни часове (H)
 - Знак Bluetooth
 - Знак за скоростта на въртене
 - Знак за нивото на батерията
 - Знак за неизправност
 - Знак за блокиране
 - Превишена температура
- Лост за плавна промяна*
- Отвор за окабеляване/блок
- Основа
- Вал за отвеждане на мощност
- Отвор с резба за ключа
- Освобождаване на батерията
- Ключ (x2)

***БЕЛЕЖКА:** Кутията на контролния панел на превключвателя на захранването, LED екрана и лоста за плавна промяна е интегрирана с устройството на PU2710/PU2710E, но е отделена от устройството на PU2710RC.

BG

ОПАКОВЪЧЕН ЛИСТ (ФИГ. А1)

СГЛОБЯВАНЕ

■ PU2710

Не е необходимо сглобяване.

■ PU2710RC

Свържете кутията на контролния панел към захранващия блок (Фиг. В1 и В2)

В1-1	Кабелно гнездо	В1-2	Кабелен щекер
В2-1	Краен капак	В2-2	Винт (x4)

■ PU2710E

Свържете устройството с превключвател или подобен (не е предоставен).

1. Отстранете шестте винта от предния капак и свалете предния капак (фиг. С1).
2. Има два външни порта, запазени вътре в захранващата глава, разхлабете гайките (фиг. С2).
3. Извадете блока, използвайте подходящи проводници, за да свържете захранващия блок и стартов превключвател или подобен. Свързващият край трябва да бъде клеморед и може да се свърже чрез гайки (фиг. С3).
4. Не е необходимо да сменяте блока и накрая поставете предния капак (фиг. С4).

С1-1	Винт (x6)	С2-1	Гайка и шайба (x2)
С3-1	Блок		

РАБОТА

ПРОВЕРКА ПРЕДИ РАБОТА

Въздушен филтър (Фиг. D)

Проверете елементите на въздушния филтър, за да се уверите, че те са чисти и в добро състояние.

Почистете или заменете елементите, ако е необходимо, следвайте инструкциите в раздел „ОБСЛУЖВАНЕ НА ВЪЗДУШНИЯ ФИЛТЪР“.

⚠ ВНИМАНИЕ: Не пускайте никога задвижващото устройство без въздушен филтър. Ще последва бързо износване.

ЗАКРЕПВАНЕ/ОСВОБОЖДАВАНЕ НА АКУМУЛАТОРНАТА БАТЕРИЯ

Използвайте единствено препоръчаните акумулаторни батерии и зарядни устройства EGO (Фиг. А3). За оптимална ефективност се препоръчва да поставите: 2 x 12 Ah, 2 x 10 Ah или поне 2 x 7,5 Ah батерии.

Заредете напълно преди първата употреба

1. **За да закрепите акумулаторната батерия,** подравнете ребрата на батерията с направляващите жлебове на задвижващото устройство и натиснете батерията надолу, докато чуете "щракване" (Фиг. Е1).
2. **За да освободите батерията,** поставете освобождаващия елемент на батерията в гнездото и го натиснете към дясната страна; след това батерията ще се извади от отделението за батерии (фиг. Е2).

E2-1	Слот за освобождаване на батерията
------	------------------------------------

ЗАБЕЛЕЖКА: батерията може да се извади само чрез освобождаването на батерията.

БЕЛЕЖКА: Не оставяйте освобождаването на батерията в слота, в случай че батерията бъде извадена неочаквано.

СТАРТИРАНЕ НА ЗАДВИЖВАЩОТО УСТРОЙСТВО (ФИГ. F)

■ PU2710/PU2710RC

1. Поставете ключа в превключвател на захранването и завъртете на 45° по посока на часовниковата стрелка до позиция "ON", задвижващото устройство ще бъде готово за работа, тъй като LED екранът и зелената светлина на акумулаторната батерия ще бъдат включени.
2. Завъртете ключа отново на 45° по посока на часовниковата стрелка в положение "START", задвижващото устройство започва да работи.

■ PU2710E

БЕЛЕЖКА: Винаги следвайте долните стъпки, за да стартирате захранващия блок. Захранващият блок не може да се стартира, ако свързаният превключвател е включен, преди да завъртите ключа в позиция „ON“ (ВКЛ.).

1. Поставете ключа в слота за превключвател за захранване и го завъртете в позиция „ON“ (ВКЛ.). Захранващият блок ще бъде готов за работа, когато светодиодният екран и зелената светлина на батерията са включени.

2. Включете свързания превключвател (не е предоставен), охранващият блок започва да работи.

БЕЛЕЖКА: Ключът не може да бъде изваден от гнездото за превключване, когато задвижващото устройство е готово за работа или работи.

СПИРАНЕ НА ЗАДВИЖВАЩОТО УСТРОЙСТВО

■ PU2710/PU2710RC

За да спрете временно задвижващото устройство, просто завъртете ключа в положение "ON".

За да спрете напълно задвижващото устройство, завъртете ключа в положение "OFF".

■ PU2710E

За да спрете охранващия блок временно, просто изключете свързания превключвател (не е предоставен).

За да спрете напълно охранващия блок напълно, завъртете ключа в положение "OFF".

БЕЛЕЖКА: За да предотвратите неочаквано стартиране, завъртете ключа в положение "OFF", за да изключите напълно задвижващото устройство.

РЕГУЛИРАНЕ НА СКОРОСТТА (ФИГ. G)

Завъртете лоста за безстепенно регулиране и използвайте индикаторния прорез на лоста, за да намерите и изберете скоростта между "ECO" и "TURBO".

БЕЛЕЖКА: Скоростта може да бъде предварително зададена преди стартиране.

G-1	Индикационен слот
-----	-------------------

ЗАХРАНВАНЕ НА ОСВЕТИТЕЛНО ОБОРУДВАНЕ

Това задвижващо устройство може да охранва външно осветително оборудване, като напрежението е в съответствие с номиналното напрежение на охранващата глава.

1. Отстранете шестте винта от предния капак и свалете предния капак (фиг. H1).
2. Вътре в задвижващото устройство са резервирани две двойки външни портове, като едната двойка отляво е изходният порт, а лявият е отрицателен, а десният - положителен (с положителен и отрицателен знак на интерфейса) (фиг. H2).
3. Отстранете блока и използвайте подходящи проводници за свързване на задвижващото устройство и осветителното оборудване.

Свързващият край трябва да бъде клеморед и може да се свърже чрез винтове M5 (фиг. H3).

4. Не е необходимо да сменят блока и накрая поставят предния капак (фиг. H4).

БЕЛЕЖКА: За защита на задвижващото устройство трябва да се свърже предпазител с номинална стойност не повече от 12 А. Всички повреди на продукта, причинени от несвързване на предпазител, не се покриват от гаранцията.

СВЪРЗВАНЕ С ВЪНШЕН ПРЕДПАЗЕН ПРЕВКЛЮЧВАТЕЛ


Към задвижващото устройство може да се свърже външен предпазен превключвател, който позволява на оператора да спре своевременно задвижващото устройство в случай на авария.

1. Отстранете шестте винта от предния капак и свалете предния капак (фиг. I1).
2. Във вътрешността на охранващата глава са резервирани два външни порта, използвайте двойката вдясно. разхлабете винтовете и отстранете проводника (фиг. I2).
3. Отстранете блока и свържете задвижващото устройство с подходящи проводници. Свързващият край трябва да бъде клеморед и може да се свърже чрез винтове M5 (фиг. I3).
4. Не е необходимо да сменят блока и накрая поставят предния капак (фиг. I4).

БЕЛЕЖКА: Спирането на задвижващото устройство чрез външен предпазен превключвател може да спре само двигателя на задвижващото устройство и не може да изключи блока напълно; което означава, че цялото устройство все още е в състояние на включване. За да рестартирате задвижващото устройство, възобновете електрическата връзка на външния предпазен ключ.

LED ЕКРАН

ДИСПЛЕЙ	ЗНАЧЕНИЕ	ДЕЙСТВИЕ
	Предпазител за блокировка на ротора	<ul style="list-style-type: none"> Прекъснете захранването и проверете за евентуални блокировки около товара. След почистването рестартирайте задвижващото устройство. Ако предпазителът за блокировка на ротора продължава да се показва, свържете се със сервизния център на EGO за ремонт.
	Ниско напрежение	<ul style="list-style-type: none"> Презаредете акумулаторната(ите) батерия(и).
	Акумулаторната батерия е с превишена температура	<ul style="list-style-type: none"> Проверете и почистете въздушния филтър. Оставете батерията да се охлади, докато жълтият светодиод спре да мига, или опитайте с батерия(и) с по-голям капацитет.
	Задвижващото устройство е с превишена температура	<ul style="list-style-type: none"> Изчакайте задвижващото устройство да изстине. Намалете работното натоварване.

	Защита на главната платка от свръхток	<ul style="list-style-type: none"> Опитайте се да намалите работното натоварване
	Комуникационна неизправност	<ul style="list-style-type: none"> Свържете се с сервизния център на EGO за ремонт.

ПОДДРЪЖКА

⚠ ПРЕДУПРЕЖДЕНИЕ: За да предотвратите нараняване на хора, извадете акумулаторните батерии преди обслужване, почистване на устройството.

⚠ ПРЕДУПРЕЖДЕНИЕ: Когато обслужвате, използвайте само идентични резервни части. Употребата на каквито и да е други части може да създаде опасност или да предизвика повреда на продукта. За да осигурите безопасността и надеждността, всички поправки трябва да се извършват от квалифициран сервизен техник.

ПОЧИСТВАНЕ НА ЗАДВИЖВАЩОТО УСТРОЙСТВО

- Почиствайте задвижващото устройство с влажна кърпа и мек почистващ препарат. Никога не позволявайте каквато и да е течност да навлезе вътре в задвижващото устройство, никога не потапяйте някоя част от задвижващото устройство в течност.
- Не използвайте силен почистващ препарат по пластмасовия корпус. Те могат да бъдат повредени от определени ароматни масла като бор и лимон и от разтворители като керосин. Влагата също може да причини токов удар. Избършете всякаква влага със суха, мека кърпа.

ОБСЛУЖВАНЕ НА ВЪЗДУШНИЯ ФИЛТЪР

За да извадите

- Завъртете обратно на часовника бутона за заключване съгласно илюстрираната икона и извадете директно въздушния филтър (Фиг. J1).

J1-1	Бутон за заключване
------	---------------------

BG

2. Препоръчва се използване на въздушен пистолет за почистване на мрежестия филтър според необходимост или директната смяна с нов филтър, ако се налага (Фиг. J2).

J2-1	Капак на въздушния филтър	J2-2	Мрежест филтър
------	---------------------------	------	----------------

За да монтирате

1. Поставете мрежестия филтър в капака на въздушния филтър. Уверете се, че всички страни са плътно прилегнали без гънки (Фиг. J3).
2. Поставете въздушния филтър в задвижващото устройство правилно.
3. Натиснете и завъртете по часовниковата стрелка бутона за заключване, за да заключите на място въздушния филтър (Фиг. J4).

ОПАЗВАНЕ НА ОКОЛНАТА СРЕДА



Не изхвърляйте електрическо оборудване, използвана батерия или зарядно устройство в домакинския отпадък! Отнесете продукта до упълномощена фирма за рециклиране и го предоставете за рециклиране и го предоставете за разделно събиране. Електрическите инструменти трябва да бъдат връщани в съоръжения за рециклиране съвместими с околната среда.

ТРАНСПОРТИРАНЕ/ СЪХРАНЕНИЕ

ТРАНСПОРТИРАНЕ НА ЗАДВИЖВАЩОТО УСТРОЙСТВО

⚠ ВНИМАНИЕ: В случай на повреда на задвижващото устройство, моля, никога не допускате удар по вала за отвеждане на мощност или не насилвайте вала за отвеждане на мощност (Фиг. К).

СЪХРАНЯВАНЕ НА ЗАДВИЖВАЩОТО УСТРОЙСТВО

- Извадете акумулаторните батерии от задвижващото устройство.
- Почистете изцяло задвижващото устройство преди съхраняване.
- Съхранете задвижващото устройство на сухо място с добра вентилация извън достъпа на деца. Не съхранявайте задвижващото устройство в близост или върху тор, бензин или други химикали.

ОТСТРАНЯВАНЕ НА ПРОБЛЕМИ

ПРОБЛЕМ	ПРИЧИНА	РЕШЕНИЕ
Задвижващото устройство не може да стартира.	<ul style="list-style-type: none"> ■ За PU2710/PU2710RC превключателят за захранване не се превключва в позиция „СТАРТ“. ■ За PU2710E свързаният превключвател се включва, преди да завъртите ключа в позиция „ON“. ■ Акумулаторната(ите) батерия(и) не е поставена на местото си в отделението. ■ Други неопределени причини. 	<ul style="list-style-type: none"> ■ Завъртете превключвателя в положение "START". ■ Винаги завъртете първо ключа в позиция „ON“, след което включвайте свързания превключвател. ■ Закрепете акумулаторната(и) батерия(и) в отделението за батериите, докато не чуете "щрак". ■ Свържете се с квалифициран сервизен техник за ремонт.
Задвижващото устройство спира да работи.	<ul style="list-style-type: none"> ■ Акумулаторната(ите) батерия(и) е изтощена. ■ Задвижващото устройство е претоварено. ■ Акумулаторната(ите) батерия(и) са с превишена температура. ■ Задвижващото устройство е с превишена температура. ■ Други неопределени причини. 	<ul style="list-style-type: none"> ■ Заредете акумулаторната(ите) батерия(и). ■ Намалете работното натоварване. ■ Намалете работното натоварване или заменете с акумулаторна(и) батерия(и) с по-голям капацитет. ■ Избягвайте употреба на акумулаторна(и) батерия(и) в среда с висока температура. ■ Проверете и почистете въздушния филтър. ■ Намалете натоварването и избягвайте употребата на задвижващото устройство в среда с висока температура. ■ Свържете се с квалифициран сервизен техник за ремонт.
Скоростта не се променя при завъртане на лоста за плавна промяна.	<ul style="list-style-type: none"> ■ Ако околността е твърде шумна, е трудно да се разпознаят промени. ■ Неопределени неизправности. 	<ul style="list-style-type: none"> ■ Спрете задвижващото устройство и отново регулирайте скоростта. Измерете разликата в скоростта за допълнителна проверка, ако е необходимо. ■ Свържете се с обслужване на клиенти на EGO за ремонт.
Скоростта намалява автоматично при непрекъснато силно натоварване и се задържа на ниво на ниска скорост, което може да бъде разпознато по звука при работа.	<ul style="list-style-type: none"> ■ Задвижващото устройство има функция автоматично регулиране за защита от претоварване. 	<ul style="list-style-type: none"> ■ Намалете натоварването според действителната ситуация и след това задвижващото устройство ще се върне към състояние на пълна скорост.

BG

ГАРАНЦИЯ

ГАРАНЦИОННА ПОЛИТИКА EGO

Моля, посетете уебсайта poweredbyego.com за пълните срокове и условия по гаранционната политика на EGO.

SIGURNOSNE NAPOMENE

⚠ UPOZORENJE: Pročitajte sva upozorenja, upute, ilustracije u vezi sigurnosti i tehničke podatke isporučene s ovim alatom. Zanemarivanje uputa navedenih u nastavku može rezultirati električnim udarom, požarom i/ili teškim ozljedama.

SAČUVAJTE SVA UPOZORENJA I SVE UPUTE ZA BUDUĆE POTREBE.

- Radno područje održavajte čistim i dobro osvijetljenim. Pretrpana ili mračna područja izazivaju nesreće.
- Pogonskom jedinicom ne rukujte u eksplozivnim atmosferama, primjerice u prisutnosti zapaljivih tekućina, plinova ili prašine.
- Ometanja mogu rezultirati gubitkom kontrole nad alatom.
- Povežite utičnicu (ako postoji) s odgovarajućim utikačem. Ne radite nikakve preinake na utičnici ili utikaču. Nепреіначени utikači i odgovarajuće utičnice smanjit će rizik od električnog udara.
- Budite oprezni, gledajte što radite i vodite se načelima zdravog razuma kada radite s pogonskom jedinicom. Nemojte raditi s pogonskom jedinicom ako ste umorni ili pod utjecajem droge, alkohola ili lijekova. Trenutak nepažnje tijekom rada s pogonskom jedinicom može rezultirati teškim tjelesnim ozljedama.
- Upotrebljavajte osobnu zaštitnu opremu. Osobna zaštitna oprema kao što je maska protiv prašine, zaštitne cipele s potplatama protiv klizanja, zaštitna kaciga ili štitnici za sluh, koja se koristi za odgovarajuća stanja, umanjit će opasnost od ozljede.
- Obucite se prikladno. Ne nosite široku odjeću ili nakit. Kosu i odjeću držite dalje od pokretnih dijelova. Široka odjeća, nakit ili duga kosa može se zahvatiti pokretnim dijelovima.
- Nemojte dopustiti da vas poznavanje alata stečeno čestom uporabom učini samodopadnim te da zanemarite sigurnosna načela za alat. Nepažljiv rad može rezultirati teškim ozljedama u djeliću sekunde.



S razumijevanjem pročitajte korisnički priručnik

IPX5 Stupanj zaštite od prodora vode

V Napon

- Servisiranje pogonske jedinice prepustite kvalificiranom osoblju za popravak koje upotrebljava samo identične zamjenske dijelove. Time će se osigurati održavanje sigurnosti pogonske jedinice.
- Budite posebno oprezni pri pokretanju pogonske jedinice kada alat nije u potpunosti sastavljen.
- Ne upotrebljavajte baterijski modul ili alat koji je oštećen ili preinačen. Oštećene ili preinačene baterije mogu se ponašati nepredvidljivo i dovesti do požara, eksplozije ili opasnosti od ozljede.
- Baterijski modul ili alat ne izlažite vatri ili previsokoj temperaturi. Izrgavanje vatri ili temperaturi višoj od 130 °C može prouzročiti eksploziju.
- Pridržavajte se svih uputa za punjenje, a baterijski modul ili alat nemojte puniti izvan raspona temperature navedenog u uputama. Nепрописно punjenje ili punjenje pri temperaturama izvan propisanog raspona može oštetiti bateriju i povećati opasnost od požara.
- Ne servisirajte oštećene baterijske module. Servisiranje baterijskih modula smiju obavljati samo proizvođač ili ovlašteni serviseri.
- Za mjere opreza o baterijskim modulima pogledajte priručnik s uputama za baterijski modul.

SIGURNOSNI SIMBOLI

⚠ UPOZORENJE: Rukovanje električnim alatom može rezultirati odbacivanjem stranih predmeta u oči, što opet može izazvati teške ozljede očiju. Pri radu s električnim alatom nosite zatvorene zaštitne naočale ili zaštitne naočale s bočnim štitnicima, a prema potrebi i štitnik za cijelo lice. Preporučujemo nošenje sigurnosne maske proizvođača Wide Vision preko naočala ili nošenje standardnih zaštitnih naočala s bočnim štitnicima.



Otpadni električni proizvodi ne smiju se odlagati s otpadom iz kućanstva. Odnosite ih u ovlašteni centar za recikliranje.



Istosmjerna struja

HR

SPECIFIKACIJE

Napon	56 V
Duljina x širina x visina	PU2710/PU2710E: 342 mm x 306 mm x 344 mm PU2710RC: 342 mm x 290 mm x 344 mm
Težina (bez baterijskog modula)	PU2710/PU2710E: 11.4 kg PU2710RC: 11.5 kg
IP	IPX5
Priključak za bateriju	Dva priključka
Regulator brzine	Eco/Turbo način rada (Kontinuirano varijabilni 1200-3600 O/MIN)
LED svjetlosni indikator kvara	Da
Sustav hlađenja	Sa zračnim hlađenjem
Pročistač zraka	Lako zamjenjivi spužvasti filter
Neto izlazna snaga	3,47 kW pri 3450 O/MIN
Maks. neto moment pritezanja	9,2 Nm pri 3450 O/MIN
Elektronička kočnica	Da
PTO kardansko vratilo	Horizontalno
Vrtinja PTO kardanskog vratila (na strani PTO kardanskog vratila)	U smjeru suprotnom smjeru kretanja kazaljki na satu
Dimenzije PTO kardanskog vratila	Pogledajte sl. A2
Preporučena radna temperatura	-15°C – 40°C
Preporučena temperatura skladištenja	0°C – 50°C

HR OPIS

UPOZNAJTE SE S POGONSKOM JEDINICOM (sl. A1)

1. Poklopac pretinca za baterije
2. Mehanizam za izbacivanje
3. Baterijski pretinac

4. Utor izbacivača baterije
5. Blokirni okretni gumb
6. Pročistač zraka
7. Sklopka za uključivanje/isključivanje*
8. LED ekran*
 - 8-a. Ukupni sati rada (H)
 - 8-b. Bluetooth znak
 - 8-c. Znak brzine vrtnje
 - 8-d. Znak razine napunjenosti baterije
 - 8-e. Znak neispravnosti
 - 8-f. Znak blokiranja
 - 8-g. Znak previsoke temperature
9. Ručica za kontinuirano varijabilni način*
10. Rupa/blok za ožičenje
11. Postolje
12. PTO kardansko vratilo
13. Otvor s navojem za ključ
14. Izbacivač baterije
15. Klin (x2)

***NAPOMENA:** Kutija s upravljačkom pločom sklopke za uključivanje/isključivanje, LED zaslon i ručica s kontinuiranom regulacijom ugrađeni su u uređaj PU2710/PU2710E, ali su odvojeni od uređaja PU2710RC.

OTPREMNICA (SL. A1)

MONTAŽA

■ PU2710

Nije potrebna montaža.

■ PU2710RC

Spojite kutiju s upravljačkom pločom na jedinicu napajanja (Sl. B1 i B2)

B1-1	Utičnica za kabel	B1-2	Utikač za kabel
B2-1	Završni poklopac	B2-2	Vijak (x4)

■ PU2710E

Spojite uređaj pomoću sklopke ili istovjetnog uređaja (nije isporučen).

1. Uklonite šest vijaka s prednjeg poklopca i uklonite prednji poklopac (sl. C1).
2. Dva vanjska priključka rezervirana su unutar pogonske glave, otpustite matice (Sl. C2).
3. Uklonite blok, odgovarajućim vodičima spojite jedinicu za napajanje i sklopku za pokretanje ili drugi istovjetni uređaj. Na završetku za spajanje moraju se nalaziti kabelaške stopice i mogu se spojiti pomoću matica (sl. C3).
4. Nema potrebe za vraćanjem bloka, na kraju vratite prednji poklopac (sl. C4).

C1-1	Vijak (x6)	C2-1	Matica i podloška (x2)
C3-1	Blok		

UKLOVANJE

PROVJERA PRIJE RADA

Pročistač zraka (sl. D)

Provjerite elemente zračnog filtra kako biste se uvjerali da su čisti i u dobrom stanju.

Očistite ili prema potrebi zamijenite elemente prema uputama u odjeljku „SERVIS PROČISTAČA ZRAKA”.

⚠ OPREZ! Pogonsku jedinicu nemojte nikada upotrebljavati bez pročistača zraka. To može rezultirati ubrzanim trošenjem.

POSTAVLJANJE/UKLANJANJE BATERIJSKOG MODULA

Upotrebljavajte samo s preporučenim baterijskim modulima i punjačima proizvođača EGO (sl. A3). Za optimalan radni učinak preporučujemo pričvrstiti: 2 x 12 Ah, 2 x 10 Ah ili barem 2 x 7,5 Ah baterije.

Baterijski modul napunite u potpunosti prije prve uporabe.

1. **Za postavljanje baterijskog modula** poravnajte kontakte baterije s montažnim utorima pogonske jedinice i pritisnite baterijski modul prema dolje tako da sjedne na mjesto (sl. E1).
2. **Za odvajanje baterijskog modula**, stavite izbacivač baterije u utor i pritisnite ga prema desno; zatim će se baterija izbaciti iz pretinca za baterije (sl. E2).

E2-1	Utor izbacivača baterije
------	--------------------------

NAPOMENA: baterija se može odvojiti samo putem izbacivača baterije.

NAPOMENA: Ne ostavljajte izbacivač baterije u utoru kako se baterija ne bi neočekivano izbacila.

POKRETANJE POGONSKE JEDINICE (SL. F)

■ PU2710/PU2710RC

1. Stavite ključ u utor sklopke za uključivanje/isključivanje i okrenite ga za 45° udesno u položaj „UKLJUČENO”, pogonska jedinica bit će spremna za rad kada se uključi LED zaslon i zeleno svjetlo baterijskog modula.
2. Ponovno okrenite ključ za 45° udesno u položaj „POKRETANJE”, pogonska jedinica počinje raditi.

■ PU2710E

OBAVIJEST: Za pokretanje pogonske jedinice pratite dolje navedeni postupak. Pogonska jedinica ne može se pokrenuti ako se spojena sklopka uključi prije okretanja ključa u položaj „ON” (Uključeno).

1. Stavite ključ u utor sklopke za uključivanje/isključivanje i okrenite ga u položaj „ON” (Uključeno). Pogonska jedinica bit će spremna za rad kada se uključe LED zaslon i zeleno svjetlo baterijskog modula.
2. Uključite spoenu sklopku (nije isporučena), pogonska jedinica početi će s radom.

OBAVIJEST: Ključ se ne može izvaditi iz utora sklopke kada je pogonska jedinica spremna za rad ili u radu.

ZAUSTAVLJANJE RADA POGONSKE JEDINICE

■ PU2710/PU2710RC

Za privremeno zaustavljanje pogonske jedinice okrenite ključ u položaj „UKLJUČENO”.

Za potpuno zaustavljanje pogonske jedinice, okrenite ključ u položaj „ISKLJUČENO”.

■ PU2710E

Za privremeno zaustavljanje pogonske jedinice isključite spoenu sklopku (nije isporučena).

Za potpuno zaustavljanje pogonske jedinice, okrenite ključ u položaj „OFF” (Isključeno).

OBAVIJEST: Kako bi se izbjeglo neočekivano pokretanje, okrenite ključ u položaj „ISKLJUČENO” kako biste potpuno isključili pogonsku jedinicu.

PODEŠAVANJE BRZINE (SL. G)

Okrenite ručicu za kontinuirano varijabilni način i upotrijebite indikacijski utor na ručici kako biste pronašli i odabrali brzinu između „ECO” i „TURBO”.

OBAVIJEST: Brzina se također može unaprijed postaviti prije pokretanja.

G-1	Indikacijski utor
-----	-------------------

NAPAJANJE OPREME ZA RASVJETU

Ova pogonska jedinica može napajati opremu za vanjsku rasvjetu, a napon je u skladu s nazivnim naponom glave napajanja.

1. Uklonite šest vijaka s prednjeg poklopca i uklonite prednji poklopac (sl. H1).

2. Dva su para vanjskih priključaka rezervirana unutar pogonske jedinice, jedan je par na lijevoj strani izlazni priključak, lijevi je negativan, a desni pozitivan (s pozitivnim i negativnim znakom na sučelju) (sl. H2).
3. Uklonite blok i upotrijebite odgovarajuće žice za spajanje pogonske jedinice i rasvjetne opreme. Spojni kraj mora biti stezaljka i može se spojiti pomoću vijaka M5 (sl. H3).
4. Nema potrebe za vraćanjem bloka, na kraju vratite prednji poklopac (sl. H4).

OBVIJEST: Da bi se zaštitila pogonska jedinica mora se spojiti osigurač predviđen za ne više od 12 A. Bilo kakvo oštećenje proizvoda uzrokovano nespajanjem osigurača nije pokriveno jamstvom.





SPAJANJE NA VANJSKU SIGURNOSNU SKLOPKU

Vanjska sigurnosna sklopka može se spojiti na pogonsku jedinicu, omogućujući korisniku da pravovremeno zaustavi pogonsku jedinicu u slučaju nužde.

1. Uklonite šest vijaka s prednjeg poklopca i uklonite prednji poklopac (sl. I1).
2. Dva su vanjska priključka rezervirana unutar glave napajanja, koristite par s desne strane. Otpustite vijke i uklonite žicu (sl. I2).
3. Uklonite blok i spojite pogonsku jedinicu odgovarajućim žicama. Spojni kraj mora biti stezaljka i može se spojiti pomoću vijaka M5 (sl. I3).
4. Nema potrebe za vraćanjem bloka, na kraju vratite prednji poklopac (sl. I4).

NAPOMENA: Zaustavljanje pogonske jedinice putem vanjske sigurnosne sklopke može samo zaustaviti motor pogonske jedinice, ali ne može potpuno isključiti jedinicu; što znači da je cijela jedinica još u stanju uključenosti. Za ponovno pokretanje pogonske jedinice, ponovno uspostavite električni spoj vanjske sigurnosne sklopke.

EKRAN LED ZASLONA

PRIKAZ	ZNAČENJE	RADNJA
	blokada zaštite rotora	<ul style="list-style-type: none"> ▪ Odvojite napajanje i provjerite ima li blokada oko opterećenja. Nakon čišćenja ponovno pokrenite pogonsku jedinicu. Ako se blokada zaštite rotora i dalje prikazuje, kontaktirajte servisni centar tvrtke EGO za popravak.
	Nizak napon	<ul style="list-style-type: none"> ▪ Napunite baterijski(e) modul(e).
	Previsoka temperatura baterijskog modula	<ul style="list-style-type: none"> ▪ Provjera i čišćenje filtra za zrak. ▪ Pustite bateriju da se ohladi dok žuti LED ne prestane treptati ili pokušajte s baterijskim modulom većeg kapaciteta.
	Previsoka temperatura pogonske jedinice	<ul style="list-style-type: none"> ▪ Pričekajte da se pogonska jedinica ohladi. ▪ Smanjite radno opterećenje.

	Zaštita od previsoke struje glavne ploče	<ul style="list-style-type: none"> Pokušajte smanjiti radno opterećenje
	Prekid komunikacije	<ul style="list-style-type: none"> Za popravak se obratite servisnom centru tvrtke EGO.

ODRŽAVANJE

⚠ UPOZORENJE: Radi prevencije tjelesne ozljede, uklonite baterijske module prije servisiranja, čišćenja jedinice.

⚠ UPOZORENJE: Pri servisiranju koristite samo identične zamjenske dijelove. Upotreba drugih dijelova može izazvati opasnost ili prouzročiti oštećenje proizvoda. Radi sigurnosti i pouzdanosti, sve popravke treba obavljati kvalificirani servisni tehničar.

ČIŠĆENJE POGONSKE JEDINICE

- Pogonsku jedinicu očistite vlažnom krpom i blagim deterdžentom. Nemojte dopustiti da tekućina uđe u pogonsku jedinicu; ne uranjajte nijedan dio pogonske jedinice u tekućinu.
- Za čišćenje plastičnog kućišta ne upotrebljavajte jake deterdžente. Mogu ih oštetiti neka aromatična ulja, kao što su borovo i limunovo ulje i otapala kao što je kerozin. Vlaga može izazvati opasnost od strujnog udara. Vlažna mjesta obrišite mekanom, suhom krpom.

SERVIS FILTRA ZA ZRAK

Uklanjanje

- Blokirni okretni gumb okrenite ulijevo prema slici ikone na njemu i izravno izvadite pročistač zraka (sl. J1).

J1-1	Blokirni okretni gumb
------	-----------------------

- Preporučujemo spužvasti filter očistiti ispuhivanjem zračnim pištoljem ili prema potrebi ga izravno zamijeniti novim filtrom (sl. J2).

J2-1	Poklopac pročistača zraka	J2-2	Spužvasti filter
------	---------------------------	------	------------------

Postavljanje

- Stavite spužvasti filter u poklopac pročistača zraka. Pobrinite se da sve strane leže ravno i bez izbočina (sl. J3).
- Pročistač zraka pravilno postavite na pogonsku jedinicu.
- Za fiksiranje pročistača zraka u ležištu pritisnite blokirni okretni gumb i okrenite ga udesno (sl. J4).

TRANSPORT/SKLADIŠTENJE

TRANSPORT POGONSKE JEDINICE

⚠ OPREZ! U slučaju oštećenja pogonske jedinice, nemojte dopustiti udaranje ili pritisakanje PTO vratila (sl. K).

SKLADIŠTENJE POGONSKE JEDINICE

- Uklonite baterijske module iz pogonske jedinice.
- Pogonsku jedinicu dobro očistite prije skladištenja.
- Pogonsku jedinicu skladištite na suhom, dobro prozračenom mjestu koje je izvan dohvata djece. Pogonsku jedinicu nemojte skladištiti u blizini gnojiva, benzina ili drugih kemijskih tvari ili u njihovoj blizini.

ZAŠTITA OKOLIŠA



Električnu opremu, iskorištenu bateriju i punjač ne odlažite u otpad iz kućanstva! Ovaj proizvod odnesite u ovlaštenu centar za reciklažu i time omogućite odvojeno sakupljanje. Električne alate potrebno je vratiti u ekološki prihvatljiv pogon za reciklažu.

RJEŠAVANJE PROBLEMA

PROBLEM	UZROK	RJEŠENJE
Pogonska jedinica se ne uspijeva pokrenuti.	<ul style="list-style-type: none"> ▪ Za PU2710/PU2710RC, sklopka za uključivanje/isključivanje nije prebačena u položaj „START” (Pokretanje). ▪ For PU2710E, spojena sklopka za uključivanje/isključivanje je uključena prije okretanja ključa u položaj „ON” (Uključeno). ▪ Baterijski modul/i nije/nisu postavljen/i u svoje ležište u pretincu za baterije. ▪ Ostali neutvrđeni uzroci. 	<ul style="list-style-type: none"> ▪ Okrenite sklopku u položaj „POKRETANJE”. ▪ Uvijek prvo okrenite ključ u položaj „ON” (Uključeno), a zatim uključite spoenu sklopku. ▪ Postavite baterijski modul/e u pretinac za baterije, a zatim ga/h gurnite da začujete zvuk škljocanja. ▪ Obratite se kvalificiranom servisnom tehničaru radi popravka.
Pogonska jedinica prestaje s radom.	<ul style="list-style-type: none"> ▪ Baterijski moduli su ispražnjeni. ▪ Pogonska jedinica je preopterećena. ▪ Previsoka temperatura baterijskog modula. ▪ Previsoka temperatura pogonske jedinice. ▪ Ostali neutvrđeni uzroci. 	<ul style="list-style-type: none"> ▪ Napunite baterijski(e) modul(e). ▪ Smanjite radno opterećenje. ▪ Smanjite radno opterećenje ili zamijenite baterijskim modulom većeg kapaciteta. ▪ Izbjegavajte upotrebu baterijskog modula u okruženjima s visokom temperaturom. ▪ Provjera i čišćenje filtra za zrak. ▪ Smanjite opterećenje i izbjegavajte upotrebu pogonske jedinice na visokim temperaturama. ▪ Obratite se kvalificiranom servisnom tehničaru radi popravka.
Brzina se ne mijenja pri okretanju ručice za kontinuirano varijabilni način.	<ul style="list-style-type: none"> ▪ Ako je okruženje preglasno, promjene će se teško prepoznati. ▪ Neidentificirane greške. 	<ul style="list-style-type: none"> ▪ Zaustavite pogonsku jedinicu i ponovno podesite brzinu. Prema potrebi izmjerite razliku u brzini za buduće provjere. ▪ Za popravak se obratite EGO službi za korisnike.
Brzina se automatski smanjuje tijekom neprestanog velikog opterećenja i održava se na niskoj razini, što se može prepoznati kroz zvuk rada.	<ul style="list-style-type: none"> ▪ Pogonska jedinica ima funkciju automatskog podešavanja za zaštitu od preopterećenja. 	<ul style="list-style-type: none"> ▪ Smanjite opterećenje prema stvarnoj situaciji, a zatim će se pogonska jedinica vratiti u stanje pune brzine.

HR

JAMSTVO

PRAVILA U VEZI JAMSTVA PROIZVOĐAČA EGO

Cjelokupne uvjete i odredbe pravila jamstva proizvođača EGO potražite na internetskoj stranici poweredbyego.com.



უსაფრთხოების წესები

▲ გაფრთხილება: გაეცანით ამ ხელსაწყოთან დაკავშირებულ უსაფრთხოების ყველა მითითებას, ინსტრუქციას, ილუსტრაციას და სპეციფიკაციას. ქვემოთ ჩამოთვლილი ყველა ინსტრუქციის უგულბელობამ შესაძლოა გამოიწვიოს ელექტრო შოკი, ხანძარი და/ან მოგაყენოთ სერიოზული ზიანი.

შეინახეთ ყველა გაფრთხილება და ინსტრუქცია სამომავლოდ გამოყენებისთვის.

- დაიცავით სამუშაო სივრცის სისუფთავე და იქონიეთ კარგი განათება. ჩახერგილი ან ბნელი სამუშაო სივრცე იწვევს ინციდენტებს.
- არ ამუშაოთ ხელსაწყო ფეთქებად გარემოში, სადაც არის ალეხადი სითხეები, აირები ან მტვერი.
- ყურადღების გაფანტვას შეუძლია გამოიწვიოს ხელსაწყოზე კონტროლის დაკარგვა.
- მოარგეთ შტეფსელის როზეტი (შემდგენისდაგვარად) შესაბამის შტეკერს. არ შეცვალოთ ხელსაწყოს როზეტი და შტეკერი. არსებული შტეკერები და მისი შესაბამისი შტეფსელის როზეტები ამცირებს ელექტრული შოკის რისკს.
- ხელსაწყოს გამოყენებისას იყავით ფხიზლად, იმოქმედეთ დაკვირვებით და საღი აზრის გათვალისწინებით. არ გამოიყენოთ ხელსაწყო, როდესაც ხართ დაღლილი, ან ალკოჰოლის, მედიკამენტების ან ნარკოტიკების ზემოქმედების ქვეშ. ხელსაწყოთი სარგებლობისას მყისიერმა უყურადღებობამ შეიძლება მოგაყენოთ სერიოზული პირადი ზიანი.
- გამოიყენეთ პერსონალური დამცავი აღჭურვილობა. შესაბამის სამუშაო პირობებში დამცავი აღჭურვილობის გამოყენება, როგორცაა მტერის საწინააღმდეგო ნიღაბი, მოცურების საწინააღმდეგო სპეც ფეხსაცმელი, მყარი ჩაფხუტი ან სმენის დამცავი, ამცირებს პერსონალურ დაზიანებებს.
- ჩაიცვით შესაბამისად. არ ჩაიცვათ განიერი, ფრიალა ტანსაცმელი და არ გააკეთოთ ძვირფასეულობა. მოარიდეთ თმა და ტანსაცმელი მოძრავ ნაწილებს.

თავისუფალი ტანსაცმელი, ძვირფასეულობა ან გრძელი თმა შესაძლოა ჩაითრიოს მოძრავმა ნაწილებმა.

- მსგავს ხელსაწყოებთან ხშირი მუშაობისას არ გათამამდეთ და არ უგულვებელყოთ ხელსაწყოს უსაფრთხოების პრინციპების დაცვა. უგულისყოფოთ საქციელმა წამის მეთაედმიც კი შესაძლოა მოგიტანოთ სერიოზული ზიანი.
- ხელსაწყოს ტექნიკური მომსახურება შესარულბინეთ კვალიფიციურ პირს მხოლოდ იდენტური სათადარიგო ნაწილების გამოყენებით. ეს უზრუნველყოფს ხელსაწყოს უსაფრთხო მუშაობის რეჟიმის შენარჩუნებას.
- ყოველთვის გამოიჩინეთ დამატებითი სიფრთხილე ელექტრო ხელსაწყოს სრულად აწყობის გაერმე ჩართვისას.
- არ გამოიყენოთ აკუმულატორი ან ხელსაწყო, რომელიც დაზიანებული ან გადაკეთებულია. დაზიანებულმა ან გადაკეთებულმა აკუმულატორმა შესაძლოა განაპირობოს გაუთვალისწინებელი ქმედება, რამაც შეიძლება გამოიწვიოს ხანძარი, აფეთქება ან დაზიანების რისკი.
- არ მოათავსოთ აკუმულატორი ან ხელსაწყო ცეცხლში ან მაღალ ტემპერატურაზე. ცეცხლმა ან 130 °C-ზე მაღალმა ტემპერატურამ შესაძლოა გამოიწვიოს აფეთქება.
- დაიცავით დამუხტვის ინსტრუქციები და არ დამუხტოთ აკუმულატორი ან ხელსაწყო ინსტრუქციაში მითითებული ტემპერატურის ფარგლებს მიღმა. აკუმულატორის არასწორი ან ინსტრუქციაში მითითებული ტემპერატურის ფარგლებს მიღმა დამუხტვამ შეიძლება დააზიანოს აკუმულატორი და გაზარდოს ხანძრის რისკი.
- არასოდეს შეაკეთოთ დაზიანებული აკუმულატორები. აკუმულატორების შეკეთება უნდა უზრუნველყოს მხოლოდ მწარმოებელმა ან ავტორიზებულმა სერვის პროვაიდერებმა.
- აკუმულატორებთან მოპყრობის სიფრთხილის ზომების შესახებ იხილეთ აკუმულატორის სახელმძღვანელო.

KA

უსაფრთხოების სიმბოლოები

⚠ გაფრთხილება: ელექტრო ხელსაწყოთა გამოყენებისას შესაძლოა უცხო სხეულის თვალის მისახვედრად მოხვედრას, რამაც შესაძლოა გამოიწვიოს თვალის მნიშვნელოვანი დაზიანება. ელექტრო



წაკითხეთ და გაიცეთ მომხმარებლის სახელმძღვანელო

IPX5 წყლის შეღწევისგან დაცვა

V ძაბვა

ხელსაწყოთა გამოყენებამდე აუცილებლად მოირგეთ უსაფრთხოების თვალსაფარი ან სათვალე სახის გვერდითა ნაწილების და მთლიანი სახის დამცავი ეკრანით, საჭიროების შემთხვევაში. ჩვენ რეკომენდაციას ვუწვევთ ფართო ხედვის უსაფრთხოების ნიღაბს სათვალეებთან ერთად ან სტანდარტულ გვერდითა დაცვის მქონე უსაფრთხოების სათვალეებთან ერთად გამოსაყენებლად.



ელექტრო პროდუქტის ნარჩენები არ გადაყაროთ საყოფაცხოვრებო ნარჩენებთან ერთად. წაიღეთ შესაბამის გადამამუშავებელ საწარმოში.

=== მუდმივი დენი

სპეციფიკაციები

ძაბვა	56 ვოლტი ===
სიგრძე x სიგანე x სიმაღლე	PU2710/PU2710E: 342 მმ x 306 მმ x 344 მმ PU2710RC: 342 მმ x 290 მმ x 344 მმ
წონა (აკუმულატორის გარეშე)	PU2710/PU2710E: 11.4 კგ PU2710RC: 11.5 კგ
IP	IPX5
აკუმულატორის პორტი	ორმაგი პორტები
სიჩქარის კონტროლი	ეკო/ტურბო რეჟიმები (უწყვეტად ცვლადი 1200-3600 ბრუნე წუთში)
LED ინდიკატორის არასწორი მუშაობა	კი
გამაგრებელი სისტემა	ჰაერი გამაგრებულია
ჰაერის ფილტრი	მარტივად შესაცვლელი ღრუბელის ზადე

წმინდა გამომავალი სიმძლავრე	3,47 კვტ @ 3450 ბრ.წთ-ში
მაქს. წმინდა ბრუნვა	9,2 ნ.მ @ 3450 ბრ.წთ-ში
ელექტრო მუხრუჭი	კი
PTO ლილვი	ჰორიზონტალური
PTO ლილვის ბრუნვა (PTO ლილვის გვერდიდან)	საათის ისრის საწინააღმდეგო მიმართულებით
PTO ლილვის ზომები	იხილეთ სურ. A2
რეკომენდებული საექსპლუატაციო ტემპერატურა	-15°C – 40°C
რეკომენდებული დასაწყობების ტემპერატურა	0°C – 50°C

აღწერა

შეისწავლეთ თქვენი კვების ბლოკი (სურ. A1)

- აკუმულატორის ნაკვეთურის საფარი
- ამოგდების მექანიზმი
- აკუმულატორის ჩამკეტი
- აკუმულატორის ამოსადები ღიობი
- ჩამკეტი ღილაკი
- ჰაერის ფილტრი
- ელექტრო კვების გამომრთველი*

KA

8. LED ეკრანი*
 - 8-a. მუშაობის საათების ჯამი (H)
 - 8-b. Bluetooth-ის ნიშანი
 - 8-c. ბრუნვის სიჩქარის ნიშანი
 - 8-d. აკუმულატორის დამუხტვის ნიშანი
 - 8-e. გაუმართაობის ნიშანი
 - 8-f. ბლოკირების ნიშანი
 - 8-g. გადაცხელების ნიშანი
9. მუდმივად ცვლადი ბერკეტი*
10. სადენების გაყვანილობის ხვრელი/ბლოკი
11. ფუძე
12. PTO ლილვი
13. ჭრილის ხვრელი გასაღებისთვის
14. აკუმულატორის მოხსნა
15. გასაღები (x2)

* შენიშვნა: ელექტროჩამრთველის კონტროლის პანელის კოლოფი, LED ეკრანი და უწყვეტად ცვლადი ბერკეტი ინტეგრირებულია PU2710/PU2710E-ს მოწყობილობასთან, მაგრამ განცალკევებულია PU2710RC მოწყობილობისგან.

შეფუთვის ფურცელი (სურ. A1)

აწყობა

- PU2710

აწყობა საჭირო არ არის.

- PU2710RC

შეერთეთ მართვის პანელის კოლოფი ელექტრო კვების წყაროს (სურ. B1 & B2)

B1-1	კაბელი შტეტფსელის როზეტი	B1-2	კაბელი შტექერი
B2-1	ტორსული სახურავი	B2-2	ჭანჭიკი (x4)

- PU2710E

შეერთეთ მოწყობილობა გადამრთველთან ან სხვა ეკვივალენტურ მოწყობილობასთან (არ მოყვება).

1. ამოიღეთ ექვსი ხრახნი წინა საფარიდან და მოხსენით წინა საფარი (ნახ. C1).
2. ძალური თავაკის შიგნით არის ორი გარე პორტი, მოუშვით ქანჩებს (ნახ. C2).
3. ამოიღეთ ბლოკი, გამოიყენეთ შესაბამისი სადენები კვების ბლოკის და ჩამშვები

გადამრთველის ან სხვა ეკვივალენტურ მოწყობილობის დასაკავშირებლად. დამაკავშირებელი ბოლო უნდა იყოს ტერმინალის სამაგრი და მისი დაკავშირება შეიძლება ქანჩებით (ნახ. C3).

4. არ არის საჭირო ბლოკის გამოცვლა და ბოლოს წინა საფარის შეცვლა (ნახ. C4).

C1-1	ხრახნი (x6)	C2-1	ქანჩი და საეცლური (x2)
C3-1	ბლოკი		

მუშაობა

ექსპლუატაციამდელი შემოწმება

ჰაერის ფილტრი (სურ. D)

შემოწმეთ ჰაერის ფილტრის ელემენტები, რათა დარწმუნდეთ, რომ ისინი სუფთა და კარგ მდგომარეობაშია.

საჭიროების შემთხვევაში გაწმინდეთ ან შეცვალეთ ელემენტები, პარაგრაფში „ჰაერის ფილტრის სერვისის“ ინტრუქციების დაცვით.

⚠ ყურადღება: არასოდეს ჩართოთ კვების ბლოკი ჰაერის ფილტრის გარეშე. ამან შეიძლება გამოიწვიოს სწრაფი ცვეთა.

აკუმულატორის დამაგრება/მოხსნა

გამოიყენეთ მხოლოდ რეკომენდებული EGO-ს აკუმულატორების ბლოკები და დამტენები (სურ. A3). ოპტიმალური მუშაობისთვის, რეკომენდებულია დამაგრეთ: 2 x 12 ა სთ, 2 x 10 ა სთ ან მინიმუმ 2 x 7,5 ა სთ აკუმულატორები.

სრულად დატენით პირველ ჯერზე სარგებლობამდე.

1. აკუმულატორის ბლოკის დასამაგრებლად, გაუსწორეთ აკუმულატორის სამაგრები კვების ბლოკის ნასვრეტებს და დააწიეთ აკუმულატორს, სანამ არ გაივებთ „დაწკაპუნების“ ხმას (სურ. E1).
2. აკუმულატორის ბლოკის მოსახსნელად მოათავსეთ აკუმულატორის ამოსაღები ღიობში და გადაწიეთ მარჯვნივ; ამის შემდეგ აკუმულატორი ამოხტება აკუმულატორის განყოფილებიდან (ნახ. E2).

E2-1	აკუმულატორის ამოსაღები ღიობი
------	------------------------------

KA

შენიშვნა: აკუმულატორის ამოღება შესაძლებელია მხოლოდ აკუმულატორის ამომღების საშუალებით.

შენიშვნა: არ დატოვოთ აკუმულატორის ამომღები დიოზში თუ აკუმულატორის ამოღება მოულოდნელად მოხდა.

კვების ბლოკის ჩართვა (სურ. F)

■ PU2710/PU2710RC

- ჩადეთ გასაღები ელექტრო კვების გამომრთველი ჭრილში და გადაატრიალეთ 45° საათის ისრის მიმართულებით „ON“ პოზიციაზე, კვების ბლოკი მზად იქნება მუშაობისთვის, როგორც კი LED ეკრანი და აკუმულატორის მწვანე შუქი ჩაირთვება.
- გადაატრიალეთ გასაღები 45° საათის ისრის მიმართულებით ისევ „START“ პოზიციაზე, კვების ბლოკი დაიწყებს მუშაობას.

■ PU2710E

შენიშვნა: ყოველთვის მიჰყევით ქვემოთ მოცემულ ნაბიჯებს ელექტროკვების პანელის ასაშუშავებლად. ელექტროკვების პანელი ვერ ამუშავდება, თუ დაკავშირებული ჩამრთველი ჩაირთვება გასაღების „ON“ პოზიციაზე გადატრიალებამდე.

- ჩადეთ გასაღები დენის გადამრთველის ჭრილში და გადაატრიალეთ „ON“ პოზიციაზე. კვების ბლოკი მზად იქნება მუშაობისთვის, როგორც კი LED ეკრანი და აკუმულატორის ბლოკის მწვანე შუქი ჩაირთვება.
- ჩართეთ დაკავშირებული ჩამრთველი (არ მოყვება შეფუთვას), კვების პანელი დაიწყებს მუშაობას.

შენიშვნა: გასაღების ამოღება შეუძლებელია გადამრთველის ჭრილიდან, როდესაც კვების ბლოკი მზად არის სამუშაოდ ან მუშაობს.

ხელსაწყოთა გაჩერება

■ PU2710/PU2710RC

კვების ბლოკის დროებითი გაჩერება, უზრალოდ გადაატრიალეთ გასაღები „ON“ პოზიციაზე.

კვების ბლოკის სრულად გასაჩერებლად, გადაატრიალეთ გასაღები „OFF“ პოზიციაზე.

■ PU2710E

ელექტრო პანელის დროებით გასაჩერებლად უზრალოდ გამორთეთ შეერთებული ჩამრთველი (არ მოყვება).

კვების ბლოკის სრულად გასაჩერებლად, გადაატრიალეთ გასაღები „OFF“ პოზიციაზე.

შენიშვნა: მოულოდნელი ამუშავების თავიდან ასაცილებლად გადაატრიალეთ გასაღები „OFF“ პოზიციაზე კვების ბლოკის სრულად გამოსართავად.

სიჩქარის რეგულირება (სურ. G)

გადაატრიალეთ მუდმივად ცვლადი ბერკეტი და გამოიყენეთ ბერკეტის საჩვენებელი სლოტი, რაც დაგეხმარებათ „ECC“-სა და „TURBO“-ს შორის სიჩქარის დაყენებასა და არჩევამი.

შენიშვნა: სიჩქარე ასევე შეიძლება წინასწარ დააყენოთ მუშაობის დაწყებამდე.

G-1	მაჩვენებელი დიოზი
-----	-------------------

ელექტრო განათების აღჭურვილობა

ამ კვების ბლოკს შეუძლია ელექტროენერგიის მიწოდება გარე განათების მოწყობილობებზე და ძაბვა შეესაბამება ძალური თავაკის ნომინალურ ძაბვას.

- ამოიღეთ ექვსი ხრახნი წინა საფარიდან და მოხსენით წინა საფარი (ნახ. H1).
- კვების ბლოკის შიგნით არის დაცული ორი წყვილი გარე პორტი, ერთი წყვილი მარცხნივ არის გამოშვადი პორტი. მარცხნივ არის უარყოფითი და მარჯვენა დადებითი (დადებითი და უარყოფითი ნიშნით ინტერფეისზე) (ნახ. H2).
- ამოიღეთ ბლოკი და გამოიყენეთ შესაბამისი სადენები კვების ბლოკის და განათების მოწყობილობების დასაკავშირებლად. დამაკავშირებელი ბოლო უნდა იყოს ტერმინალის სამაგრი და შეიძლება დაკავშირებული იყოს M5 ხრახნების მეშვეობით (ნახ. H3).
- არ არის საჭირო ბლოკის გამოცვლა და ბოლოს წინა საფარის შეცვლა (ნახ. H4).

შენიშვნა: კვების ბლოკის დასაცავად უნდა საჭიროა არაუმეტეს 12A სიმძლავრის დნობადი მცველის მიერთება. პროდუქტის ნებისმიერი დაზიანება, რომელიც გამოწვეულია იმის გამო, რომ დნობადი მცველი არ იყო მიერთებული, არ დაიფარება გარანტიით.

კავშირი გარე უსაფრთხოების გადამრთველთან

KA

გარე უსაფრთხოების ჩამრთველი შეიძლება შეუერთდეს კვების ბლოკს, რაც ოპერატორს აძლევს საგანგებო სიტუაციების შემთხვევაში კვების ბლოკის დროულად გააჩერების შესაძლებლობას.

1. ამოიღეთ ექვსი ხრახნი წინა საფარიდან და მოხსენით წინა საფარი (ნახ. 11).
2. კვების ბლოკის შიგნით არის დაცული ორი გარე პორტი, გამოიყენეთ წყვილი მარჯვნივ. მოუშვით ხრახნები და ამოიღეთ მავთული (ნახ. 12).
3. ამოიღეთ ბლოკი და შეაერთეთ კვების ბლოკი შესაბამისი სადენებით. დამაკავშირებელი ბოლო უნდა იყოს ტერმინალის სამაგრი და შეიძლება

დაკავშირებული იყოს M5 ხრახნებით (ნახ. 13).

4. არ არის საჭირო ბლოკის გამოცვლა და ბოლოს წინა საფარის შეცვლა (ნახ. 14).

შენიშვნა: გარე უსაფრთხოების

გადამრთველის საშუალებით კვების ბლოკის გაჩერებისას შეიძლება მხოლოდ კვების ბლოკის ძრავის შეჩერება და შეუძლებელია ბლოკის მთლიანად გამორთვა; რაც ნიშნავს, რომ მთელი ბლოკი ჯერ კიდევ გამორთვის დროს ელექტრო კვების რეჟიმშია. კვების ბლოკის გადასატვირთავად გთხოვთ, განაახლოთ გარე უსაფრთხოების ჩამრთველის ელექტრო კავშირი.

LED ეკრანის ჩვენება

ეკრანი	მნიშვნელობა	ქმედება
	ჩამკვეტი როტორის დამცავი	<ul style="list-style-type: none"> გამორთეთ დენი და შეამოწმეთ ხომ არ არის რაიმე ბლოკირება დატვირთვის გარშემო. ხელსაწყო გაწმენდის შემდეგ, გადატვირთეთ კვების ბლოკი. თუ ჩამკვეტი როტორის დაცვა კვლავ გამოწონდება, დაუკავშირდით EGO სერვის ცენტრს მის შესაკეთებლად.
	დაბალი ძაბვა	<ul style="list-style-type: none"> ხელახლა დატენეთ აკუმულატორი.
	აკუმულატორის ბლოკი გადახურებულია	<ul style="list-style-type: none"> შეამოწმეთ და გაწმინდეთ ჰაერის ფილტრი. დაელოდეთ აკუმულატორის გაცივებას სანამ ყვითელი LED არ შეწყვეტს ციმციმს ან სცადეთ უფრო მაღალი სიმძლავრის აკუმულატორის ბლოკები.
	ხელსაწყო გადახურებულია	<ul style="list-style-type: none"> დაელოდეთ კვების ბლოკის გაგრილებას. შეამცირეთ სამუშაო დატვირთვა.
	მთავარი პანელის დაცვა ჭარბი დენისგან	<ul style="list-style-type: none"> ცადეთ სამუშაო დატვირთვის შემცირება.
	კავშირის შეფერხება	<ul style="list-style-type: none"> დაუკავშირდით EGO სერვის ცენტრს სარემონტო მომსახურებისთვის.

KA

ტექნიკური მომსახურება

▲ გაფრთხილება: პერსონალური დაზიანების პრევენციისთვის, მოხსენით აკუმულატორი ხელსაწყოს, სანამ დაიწყებთ მის შემოწმებას ან წმენდას.

▲ გაფრთხილება: შეკეთებისას გამოიყენეთ მხოლოდ იდენტური სათადარიგო ნაწილები. ნებისმიერი სხვა ნაწილის გამოყენებამ შეიძლება წარმოქმნას საფრთხე ან გამოიწვიოს პროდუქტის დაზიანება. ხელსაწყოს უსაფრთხოდ და გამართულად მუშაობისთვის საჭიროა მისი ყველა შეკეთება და ნაწილის შეცვლა შესრულდეს კვალიფიციური ტექნომსახურების ტექნიკოსის მიერ.

ხელსაწყოს გაწმენდა

- გაწმინდეთ კვების ბლოკი ნოტიო ქსოვილით და რბილი სარეცხი საშუალებით. არასდროს დაუშვათ ხელსაწყოში სითხის შეღწევა; არასდროს მოათავსოთ ხელსაწყოს რაიმე ნაწილი სითხეში.
- არ გამოიყენოთ ძლიერი გაწმენდი საშუალებები პლასტმასის ბუდეზე. ისინი შესაძლოა დაზიანდეს ისეთი არომატიზატორებით, როგორიცაა ნაძვის ან ლიმნის ზეთი, ან ნავთის ტიპის გამხსნელი საშუალებებით. სინეტემ ასევე შეიძლება შექმნას ელექტრული შოკის საფრთხე. რბილი, მშრალი ქსოვილით მოწმინდეთ ხელსაწყოს ნებისმიერი ნესტი.

ჰაერის ფილტრის შემოწმება

მოსახსნელად

1. ჩამკეტი ღილაკი დაატრიალეთ საათის ისრის საწინააღმდეგო მიმართულებით მასზე გამოსახული ილუსტრაციის მიხედვით და პირდაპირ ამოიღეთ ჰაერის ფილტრი (ნახ. J1).

J1-1	ჩამკეტი ღილაკი
------	----------------

2. რეკომენდებულია პულვერიზატორის გამოყენება ღრუბლის ბადის ფილტრის გასაწმენდად საჭიროებისამებრ ან პირდაპირ ახლით შეცვლა (ნახ. J2).

J2-1	ჰაერის ფილტრის საფარი	J2-2	ღრუბლის ბადე
------	-----------------------	------	--------------

დასამონტაჟებლად

1. მოათავსეთ ღრუბლის ბადე ჰაერის ფილტრის საფარში. დარწმუნდით, რომ ყველა მხარე ბრტყლად არის შვერილების გარეშე (სურ. J3).
2. მოათავსეთ ჰაერის ფილტრი კვების ბლოკის საფარზე.
3. დააჭირეთ და საათის ისრის მიმართულებით დაატრიალეთ ჩამკეტი ღილაკი ჰაერის ფილტრის ადგილზე ჩასამაგრებლად (სურ. J4).

ტრანსპორტირება/ შენახვა

ხელსაწყოს ტრანსპორტირება

▲ ყურადღება: კვების ბლოკის დაზიანების შემთხვევაში, არასოდეს დაუშვათ PTO ლილვზე ზემოქმედება ან არ დააწვეთ PTO ლილვს ძლიერად (სურ. K).

ხელსაწყოს შენახვა

- შენახვამდე მოხსენით აკუმულატორი ხელსაწყოს.
- საგულდაგულოდ გაწმინდეთ ხელსაწყო შენახვამდე.
- შეინახეთ ხელსაწყო მშრალ, კარგად განიავებად, ბავშვებისთვის მიუწვდომელ ადგილას. არ შეინახოთ ხელსაწყო სასუქის, ბენზინის და სხვა ქიმიური ნივთიერებების სიახლოვეს.

გარემოს დაცვა



არ მოათავსოთ ელექტრო მოწყობილობა, დამტენი და აკუმულატორი საყოფაცხოვრებო ნაგავში! მიუტანეთ პროდუქტი ნარჩენების ავტორიზირებულ გადაამამუშავებელს და უზრუნველყავით ასეთი ნარჩენის განცალკევებულად შეგროვება. ელექტრო ხელსაწყოები უნდა ჩაბარდეს ნარჩენების გადაამამუშავებელ ობიექტს.

KA

დიაგნოსტიკა

პრობლემა	მიზეზი	პრობლემის გადაჭრის გზა
ხელსაწყო არ ირთვება.	<ul style="list-style-type: none"> ▪ PU2710/PU2710RC-თვის ელექტრო ჩამრთველი არ არის გადართული „START“ პოზიციაზე. ▪ PU2710E-სთვის, დაკავშირებული გადამრთველი ჩართულია გასაღების „ON“ პოზიციაზე გადატრიალებამდე. ▪ აკუმულატორი არ დევს აკუმულატორის ნაკვეთურში. ▪ სხვა დაუდგენელი მიზეზები. 	<ul style="list-style-type: none"> ▪ გადართეთ გადამრთველი „სტარტის“ პოზიციაზე. ▪ ყოველთვის გადაატრიალეთ გასაღები ჯერ „ON“ პოზიციაზე, შემდეგ ჩართეთ დაკავშირებული გადამრთველი. ▪ ჩასვით აკუმულატორი აკუმულატორის ნაკვეთურში და დააწექით, სანამ არ გაიგებთ „დაწყაპუნებას“. ▪ შესაკეთებლად დაუკავშირდით კვალიფიციურ ტექნიკოსს.
ხელსაწყო წყვეტს მუშაობას.	<ul style="list-style-type: none"> ▪ აკუმულატორი დაცლილია. ▪ ხელსაწყო გადატვირთულია. ▪ აკუმულატორი გადახურებულია. ▪ ხელსაწყო გადახურებულია. ▪ სხვა დაუდგენელი მიზეზები. 	<ul style="list-style-type: none"> ▪ დატენეთ აკუმულატორი. ▪ შეამცირეთ სამუშაო დატვირთვა. ▪ შეამცირეთ სამუშაო დატვირთვა ან შეცვალეთ დიდი მოცულობის აკუმულატორით. ▪ მოერიდეთ აკუმულატორის გამოყენებას მაღალ ტემპერატურაზე. ▪ შეამოწმეთ და გაწმინდეთ ჰაერის ფილტრი. ▪ შეამცირეთ დატვირთვა და მოერიდეთ ხელსაწყოს მაღალ ტემპერატურაზე გამოყენებას. ▪ შესაკეთებლად დაუკავშირდით კვალიფიციურ ტექნიკოსს.

პრობლემა	მიზეზი	პრობლემის გადაჭრის გზა
მუდმივად ცვლადი ბერკეტის მობრუნებისას სიჩქარე არ იცვლება.	<ul style="list-style-type: none"> ■ თუ გარშემო მეტისმეტი ხმაურია, მწელია ცვლილებების შემჩნევა. ■ ამოუცნობი ხარვეზი. 	<ul style="list-style-type: none"> ■ გააჩერეთ კვების ბლოკი და კვლავ დაარეგულირეთ სიჩქარე. გაზომეთ სიჩქარის სხვაობა საჭიროების შემთხვევაში შემდგომი შემოწმებისთვის. ■ მიმართეთ EGO-ს კლიენტთა მომსახურების ცენტრს შეკეთებისთვის.
სიჩქარე ავტომატურად იკლებს ხანგრძლივი მძიმე დატვირთვისას და რჩება დაბალ სიჩქარეზე, რომლის ამოცნობაც შეიძლება მუშაობის ხმით.	<ul style="list-style-type: none"> ■ გადატვირთვისგან დასაცავად, ხელსაწყოს აქვს ავტომატური რეგულირების ფუნქცია. 	<ul style="list-style-type: none"> ■ შეამცირეთ დატვირთვა რეალური სიტუაციის თანახმად და შემდეგ ხელსაწყო დაუბრუნდება სრული სიჩქარის მდგომარეობას.

გარანტია

ego-ს საგარანტიო პოლიტიკა

გთხოვთ, ეწვიოთ ვებ-გვერდს poweredbyego.com, და გაეცნოთ EGO-ს საგარანტიო მომსახურების წესებს და პირობებს სრულად.

SIGURNOSNA UPUTSTVA

⚠ UPOZORENJE: Pročitajte sva sigurnosna upozorenja, uputstva, ilustracije i specifikacije priložene uz ovaj alat. Nepridržavanje svih dolenađenih uputstava može da dovede do strujnog udara, požara i/ili ozbiljne povrede.

SAČUVAJTE SVA UPOZORENJA I UPUTSTVA ZA BUDUĆU UPOTREBU.

- **Održavajte radno područje čistim i dobro osvetljenim.** Na pretrpanim ili mračnim područjima su veće šanse da dođe do nezgoda.
- **Ne koristite pogonsku jedinicu u eksplozivnim atmosferama, kao na primer u prisustvu zapaljivih tečnosti, gasova ili prašine.**
- Ako vam nešto odvraća pažnju, možete izgubiti kontrolu.
- **Uklonite utičnicu (ako je primenjivo) sa odgovarajućim utikačem. Nikad ne modifikujete utičnicu i utikač ni na koji način.** Nemodifikovani utikači i odgovarajuće utičnice će smanjiti rizik od strujnog udara.
- **Ostanite u pripravnosti, pazite šta radite i koristite zdrav razum kada rukujete pogonskom jedinicom. Ne koristite pogonsku jedinicu kad ste umorni ili pod uticajem droga, alkohola ili lekova.** Trenutak nepažnje dok rukujete pogonskom jedinicom može da izazove ozbiljne telesne povrede.
- **Koristite ličnu zaštitnu opremu.** Zaštitna oprema poput maske za prašinu, radnih cipela koje se ne kliču, šlema ili zaštite sluha će, kada se koristi za odgovarajuće uslove, smanjiti telesne povrede.
- **Prikladno se obucite. Ne nosite labavu odeću ili nakit. Držite kosu i odeću dalje od pokretnih delova.** Labava odeća, nakit ili duga kosa mogu da se zakače pokretnim delovima.
- **Ne dozvolite da zbog poznavanja koje ste stekli kroz čestu upotrebu alata postanete samozadovoljni i ignorišete principe bezbednosti alata.** Nemarni postupak može da izazove ozbiljnu povredu u deliću sekunde.



Pročitajte i shvatite priručnik za rukovaoca

IPX5 Stepen zaštite od prodora

V Napon

- **Odnosite pogonsku jedinicu na servisiranje kod kvalifikovanog servisa koji će koristiti samo identične rezervne delove.** To će osigurati da bezbednost pogonske jedinice bude održana.
- **Uvek budite naročito oprezni kad startujete pogonsku jedinicu bez da ste je potpuno sklopili na alat.**
- **Ne koristite bateriju ili alat koji su oštećeni ili modifikovani.** Oštećene ili modifikovane baterije mogu da ispolje nepredvidivo ponašanje, dovodeći do požara, eksplozije ili rizika od povrede.
- **Ne izlažite bateriju ili alat vatri ili previsokoj temperaturi.** Izlaganje vatri ili temperaturi iznad 130 °C može izazvati eksploziju.
- **Pratite sva uputstva za punjenje i ne punitite bateriju ili alat izvan temperaturnog opsega navedenog u uputstvima.** Punjenje na nepravilan način ili na temperaturama izvan navedenog opsega može da ošteti bateriju i poveća rizik od požara.
- **Nikad ne servisirajte oštećene baterije.** Servisiranje baterija treba da radi samo proizvođač ili ovlašćeni servis.
- Pogledajte priručnik sa uputstvima za bateriju radi mera opreza za baterije.

SIGURNOSNI SIMBOLI

⚠ UPOZORENJE: Rukovanje svakim električnim alatom može da dovede do izbacivanja stranih predmeta ka očima, što može da dovede do ozbiljnog oštećenja očiju. Pre započinjanja rada sa električnim alatom, uvek stavite sigurnosne naočare sa bočnim štيتnicima ili po potrebi masku za celo lice. Preporučujemo nošenje bezbednosne maske proizvođača Wide Vision preko naočara ili nošenje standardnih zaštitnih naočara sa bočnim štيتnicima.



Otpadni električni proizvodi ne smeju da se odlažu sa otpadom iz domaćinstva. Odnosite ih u ovlašćeni centar za reciklažu.



Jednosmerna struja

SR

SPECIFIKACIJA

Napon	56 V $\overline{\text{---}}$
Dužina x širina x visina	PU2710/PU2710E: 342 mm x 306 mm x 344 mm PU2710RC: 342 mm x 290 mm x 344 mm
Težina (bez baterije)	PU2710/PU2710E: 11.4 kg PU2710RC: 11.5 kg
IP	IPX5
Port za bateriju	Dvostruki portovi
Kontrola brzine	Režimi eko/turbo (kontinuirano varijabilnih 1200-3600 o/min)
LED indikator za kvar	Da
Rashladni sistem	Vazdušno hlađenje
Čistač vazduha	Lako zamenjiva sunderasta mrežica
Neto izlaz snage	3,47 kW na 3450 o/min
Maks. neto obrtni moment	9,2 Nm na 3450 o/min
Elektronska kočnica	Da
PTO vratilo	Horizontalno
Rotacija PTO vratila (sa strane PTO vratila)	Suprotno kazaljki na sati
Dimenzije PTO vratila	Pogledajte sliku A2
Preporučena radna temperatura	Od -15 do +40 °C
Preporučena temperatura skladištenja	Od 0 do +50 °C

OPIS

UPOZNAJTE SVOJU POGONSKU JEDINICU (slika A1)

1. Poklopac odeljka za bateriju
2. Mehanizam izbacivanja
3. Pretinac za bateriju
4. Prerez za izbacivanje baterije
5. Dugme za zaključavanje
6. Čistač vazduha

7. Prekidač napajanja*
8. LED ekran*
 - 8-a. Ukupno vreme rada (h)
 - 8-b. Oznaka Bluetooth
 - 8-c. Oznaka rotacione brzine
 - 8-d. Oznaka nivoa baterije
 - 8-e. Oznaka kvara
 - 8-f. Oznaka blokiranja
 - 8-g. Oznaka previsoke temperature
9. Poluga za kontinuiranu varijabilnost*
10. Rupa/blok ožičenja
11. Osnova
12. PTO vratilo
13. Rupa za kačenje ključa
14. Izbacivač baterije
15. Ključ (x2)

* **NAPOMENA:** Kutija kontrolne table sa prekidačem napajanja, LED ekranom i polugom za kontinuiranu varijabilnost je integrisana sa jedinicom PU2710/PU2710E ali je odvojena od jedinice PU2710RC.

POPIS PAKOVANJA (SLIKA A1)

SKLAPANJE

■ PU2710

Nije potrebno sklapanje.

■ PU2710RC

Povežite kutiju kontrolne table na pogonsku jedinicu (slika B1 i B2)

B1-1	Utičnica kabla	B1-2	Utikač kabla
B2-1	Krajnji poklopac	B2-2	Vijak (x4)

■ PU2710E

Povežite jedinicu sa prekidačem ili drugim ekvivalentom (nije priložen).

1. Uklonite šest vijaka sa prednjeg poklopca pa uklonite prednji poklopac (slika C1).
2. Postoje dva eksterna porta rezervisana unutar pogonske glave; olabavite zavrtnje (slika C2).
3. Uklonite blok, koristite odgovarajuće žice da povežete pogonsku jedinicu i prekidač za startovanje ili drugi ekvivalent. Spojni kraj treba da bude terminalna ušica i može se spojiti pomoću zavrtnja (slika C3).
4. Nije potrebno da vraćate blok; na kraju vratite prednji poklopac (slika C4).

C1-1	vijak (x6)	C2-1	Navrtka i podloška (x2)
C3-1	Blok		

RUKOVANJE

PROVERA PRE RUKOVANJA

Čistač vazduha (slika D)

Proverite elemente čistača vazduha da biste bili sigurni da su čisti i u dobrom stanju.

Očistite ili zamenite elemente ako je neophodno, prateći uputstva u odeljku „SERVIS ČISTAČA VAZDUHA“.

⚠ OPREZ: Nikad ne pokrećite pogonsku jedinicu bez čistača vazduha. Doći će do ubrzanog habanja.

SPAJANJE/ODVAJANJE BATERIJE

Koristite samo sa preporučenim EGO baterijama i punjačima (slika A3). Za optimalne performanse, preporučuje se da povežete: 2 x 12 Ah, 2 x 10 Ah ili najmanje 2 x 7,5 Ah baterije.

Potpuno napunite pre prve upotrebe

1. **Da biste spojili bateriju**, poravnajte rebra baterije sa prorezima za vođenje na pogonskoj jedinici i pritisnite bateriju nadole dok ne čujete „škljoc“ (slika E1).
2. **Da biste odvojili bateriju**, stavite izbacivač baterije u prorez i gurnite ga prema desnoj strani; baterija će potom iskočiti iz odeljka za bateriju (slika E2).

E2-1	Prorez za izbacivanje baterije
------	--------------------------------

NAPOMENA: baterija se može odvojiti samo pomoću izbacivača baterije.

NAPOMENA: Ne ostavljajte izbacivač baterije u prorezu da baterija ne bi bila neočekivano izvađena.

STARTOVANJE POGONSKE JEDINICE (SLIKA F)

■ PU2710/PU2710RC

1. Stavite ključ u prorez Prekidač napajanja i okrenite ga 45° u smeru kazaljke na satu do položaja „ON“; pogonska jedinica će biti spremna za rad a LED ekran i zeleno svetlo na bateriji će se uključiti.
2. Ponovo okrenite ključ 45° u smeru kazaljke na satu do položaja „START“; pogonska jedinica će početi da radi.

■ PU2710E

OBAVEŠTENJE: Uvek pratite donje korake da biste startovali pogonsku jedinicu. Pogonska jedinica ne može

da startuje ako se povezani prekidač uključi pre okretanja ključa u položaj „ON“.

1. Stavite ključ u prorez na prekidaču napajanja i okrenite ga u položaj „ON“. Pogonska jedinica će biti spremna za rad kad se LED ekran i zeleno svetlo na bateriji uključe.
2. Uključite povezani prekidač (nije priložen) i pogonska jedinica startuje rad.

NAPOMENA: Ključ se ne može izvadi iz proreza na prekidaču dok je pogonska jedinica spremna za rad ili dok radi.

STOPIRANJE POGONSKE JEDINICE

■ PU2710/PU2710RC

Da biste privremeno stopirali pogonsku jedinicu, samo okrenite ključ u položaj „ON“.

Da biste potpuno zaustavili pogonsku jedinicu, okrenite ključ u položaj „OFF“.

■ PU2710E

Da biste privremeno stopirali pogonsku jedinicu, samo isključite povezani prekidač (nije priložen).

Da biste potpuno stopirali pogonsku jedinicu, okrenite ključ u položaj „OFF“.

NAPOMENA: Da biste sprečili neočekivano startovanje, okrenite ključ u položaj „OFF“ da biste potpuno isključili pogonsku jedinicu.

PODEŠAVANJE BRZINE (SLIKA G)

Okrenite polugu za kontinuiranu varijabilnost i koristite indikatorski prorez na poluzi da vam pomogne da pronadete i izaberete brzinu između „EKO“ i „TURBO“.

NAPOMENA: Brzina se može postaviti i unapred, pre pokretanja.

G-1	Indikatorski prorez
-----	---------------------

NAPAJANJE OPREME ZA OSVETLJENJE

Ova pogonska jedinica može da napaja strujom spoljašnju opremu za osvetljenje, a napon je dosledan nazivnom naponu pogonske glave.

1. Uklonite šest vijaka sa prednjeg poklopca pa uklonite prednji poklopac (slika H1).
2. Postoje dva para eksternih portova rezervisanih unutar pogonske jedinice, gde je jedan par sa leve strane izlazni port, levi je negativan a desni je pozitivan (sa pozitivnim i negativnim znakom na interfejsu) (slika H2).

SR

- Uklonite blok i koristite odgovarajuće žice da povežete pogonsku jedinicu i opremu za osvetljenje. Spojni kraj treba da bude terminalna ušica i može se spojiti pomoću M5 vijaka (slika H3).
- Nije potrebno da vraćate blok; na kraju vratite prednji poklopac (slika H4).

NAPOMENA: Osigurač od najviše 12 A se mora povezati da bi štiti pogonsku jedinicu. Eventualno oštećenje proizvoda izazvano nepovezivanjem osigurača neće biti pokriveno garancijom.





SPAJANJE SA EKSTERNIM SIGURNOSNIM PREKIDAČEM

Eksterni sigurnosni prekidač se može povezati na pogonsku jedinicu, omogućavajući rukovaocu da pravovremeno zaustavi pogonsku jedinicu u hitnim slučajevima.

- Uklonite šest vijaka sa prednjeg poklopca pa uklonite prednji poklopac (slika I1).
- Postoje dva eksterna porta rezervisana unutar pogonske jedinice; koristite par sa desne strane. Olabavite vijke i uklonite žicu (slika I2).
- Uklonite blok i povežite pogonsku jedinicu odgovarajućim žicama. Spojni kraj treba da bude terminalna ušica i može se spojiti pomoću M5 vijaka (slika I3).
- Nije potrebno da vraćate blok; na kraju vratite prednji poklopac (slika I4).

NAPOMENA: Zaustavljanje pogonske jedinice eksternim sigurnosnim prekidačem može samo da zaustavi motor pogonske jedinice a ne može potpuno da isključi jedinicu, što znači da cela jedinica i dalje ima napajanje. Da biste ponovo pokrenuli pogonsku jedinicu, ponovo uključite električnu vezu eksternog sigurnosnog prekidača.

DISPLEJ LED EKRANA

DISPLEJ	ZNAČENJE	AKCIJA
	zaštita od zaključavanja rotora	<ul style="list-style-type: none"> Isključite napajanje i proverite da li ima blokade pokretnih delova. Nakon čišćenja, ponovo pokrenite pogonsku jedinicu. Ako se i dalje prikazuje zaštita od zaključavanja rotora, obratite se EGO servisnom centru radi popravke.
	Niska voltaža	<ul style="list-style-type: none"> Napunite baterije.
	Temperatura baterije je previsoka	<ul style="list-style-type: none"> Proverite i očistite čistač vazduha. Ostavite bateriju da se hladi dok žuto LED svetlo ne prestane da bljeska ili pokušajte sa baterijom (baterijama) većeg kapaciteta.
	Temperatura pogonske jedinice previsoka	<ul style="list-style-type: none"> Sačekajte da se pogonska jedinica ohladi. Smanjite radno opterećenje.

	Zaštita glavne ploče od prekomerne struje	<ul style="list-style-type: none"> Pokušajte da smanjite radno opterećenje
	Otkazivanje komunikacije	<ul style="list-style-type: none"> Obratite se EGO servisnom centru radi popravke.

J2-1	Poklopac čistača vazduha	J2-2	Sunderasta mrežica
------	--------------------------	------	--------------------

Za instalaciju

1. Postavite sunderastu mrežicu u poklopac čistača vazduha. Vodite računa da sve strane budu položene ravno bez izbočina (slika J3).
2. Pravilno postavite čistač vazduha na pogonsku jedinicu.
3. Pritisnite dugme za zaključavanje i okrenite ga u smeru kazaljke na satu da biste zaključali čistač vazduha na njegovom mestu (slika J4).

TRANSPORTOVANJE/ SKLADIŠTENJE

TRANSPORTOVANJE POGONSKE JEDINICE

⚠ OPREZ: U slučaju oštećivanja pogonske jedinice, nikad ne dozvolite da PTO vratilo bude udareno niti dozvolite da neka sila gura PTO vratilo unutra (slika K).

SKLADIŠTENJE POGONSKE JEDINICE

- Izvadite baterije iz pogonske jedinice.
- Temeljno očistite pogonsku jedinicu pre no što je uskladištite.
- Skladištite pogonsku jedinicu na suvom, dobro provetrenom mestu, van domašaja dece. Ne skladištite pogonsku jedinicu na ili pored đubriva, benzina ili drugih hemikalija.

ZAŠTITA ŽIVOTNE SREDINE



Ne odlažite električnu opremu, potrošene baterije i punjače u kućni otpad! Odnosite ovaj proizvod u ovlašćeni pogon za reciklažu ili ga odvojite od ostalog smeća radi zasebnog prikupljanja. Električni alati moraju se odneti u ekološki prihvatljiv pogon za reciklažu.

ODRŽAVANJE

⚠ UPOZORENJE: Da biste sprečili telesne povrede, izvadite baterije pre servisiranja i čišćenja jedinice.

⚠ UPOZORENJE: Tokom servisiranja, koristite samo identične rezervne delove. Upotreba bilo kakvih drugih delova može da dovede do opasnosti ili da izazove oštećenje proizvoda. Da bi se osigurala sigurnost i pouzdanost, sve popravke treba da radi kvalifikovani servisni tehničar.

ČIŠĆENJE POGONSKE JEDINICE

- Pogonsku jedinicu čistite vlažnom krpom i blagim deterdžentom. Nemojte nikada dozvoliti da tečnost uđe u pogonsku jedinicu; nemojte nikada da potapate nijedan deo pogonske jedinice u tečnost.
- Ne koristite jake deterdžente na plastičnom kućištu. Mogu ih oštetiti određena aromatična ulja, poput bora i limuna, i rastvarači poput kerozina. Vлага može da izazove i opasnost od strujnog udara. Obrišite svu vlagu mekom, suvom krpom.

SERVIS ČISTAČA VAZDUHA

Za uklanjanje

1. Okrenite dugme za zaključavanje suprotno kazaljki na satu, prema ilustrativnoj ikonici na njemu, i ravno izvucite čistač vazduha (slika J1).

J1-1	Dugme za zaključavanje
------	------------------------

2. Preporučuje se da koristite kompresor da biste duvanjem očistili filter od sunderaste mrežice po potrebi ili da ga direktno zamenite novim ako je neophodno (slika J2).

REŠAVANJE PROBLEMA

PROBLEM	UZROK	REŠENJE
Pogonska jedinica neće da startuje.	<ul style="list-style-type: none"> ▪ Za PU2710/PU2710RC, prekidač napajanja nije prebačen u položaj „START“. ▪ Za PU2710E, povezani prekidač se uključuje pre okretanja ključa u položaj „ON“. ▪ Baterija nije angažovana na svom mestu u odeljku za baterije. ▪ Drugi neidentifikovani uzroci. 	<ul style="list-style-type: none"> ▪ Okrenite prekidač u položaj „START“. ▪ Uvek prvo okrenite ključ u položaj „ON“ a zatim uključite povezani prekidač. ▪ Stavite bateriju u odeljak za baterije i pritisnite je dok ne čujete „škljoc“. ▪ Obratite se kvalifikovanom servisnom tehničaru radi popravke.
Pogonska jedinica prestaje da radi.	<ul style="list-style-type: none"> ▪ Baterija je ispražnjena. ▪ Pogonska jedinica je preopterećena. ▪ Temperatura baterije je previsoka. ▪ Temperatura pogonske jedinice je previsoka. ▪ Drugi neidentifikovani uzroci. 	<ul style="list-style-type: none"> ▪ Napunite baterije. ▪ Smanjite radno opterećenje. ▪ Smanjite radno opterećenje ili zamenite baterijom većeg kapaciteta. ▪ Izbegavajte korišćenje baterija u okruženju visoke temperature. ▪ Proverite i očistite čistač vazduha. ▪ Smanjite opterećenje i izbegavajte korišćenje pogonske jedinice u okruženju visoke temperature. ▪ Obratite se kvalifikovanom servisnom tehničaru radi popravke.
Brzina se ne menja kad okrećete polugu za kontinuiranu varijabilnost.	<ul style="list-style-type: none"> ▪ Ako je okruženje previše bučno, teško je prepoznati promene. ▪ Neidentifikovane greške. 	<ul style="list-style-type: none"> ▪ Zaustavite pogonsku jedinicu i ponovo podesite brzinu. Izmerite razliku u brzini da biste dodatno proverili ako je neophodno. ▪ Obratite se EGO korisničkoj službi radi popravke.
Brzina se automatski smanjuje kad je opterećenje neprekidno veliko i održava se na niskom nivou brzine, što se može identifikovati kroz zvuk rada.	<ul style="list-style-type: none"> ▪ Pogonska jedinica ima funkciju automatskog podešavanja radi zaštite od preopterećenja. 	<ul style="list-style-type: none"> ▪ Smanjite opterećenje u skladu sa stvarnom situacijom a zatim će se pogonska jedinica vratiti u stanje pune brzine.

GARANCIJA

EGO POLITIKA GARANCIJE

Posetite veb-lokaciju poweredbyego.com za potpune uslove i odredbe EGO politike garancije.

SR

SIGURNOSNA UPUTSTVA

⚠ UPOZORENJE! Pročitajte sva sigurnosna upozorenja, uputstva, sve ilustracije i specifikacije isporučene s ovim alatom. Zanemarivanje svih uputstava navedenih u nastavku može rezultirati strujnim udarom, požarom i/ili teškim povredama.

SAČUVAJTE SVA UPOZORENJA I UPUTSTVA ZA BUDUĆE POTREBE.

- Radno područje održavajte čistim i dobro osvijetljenim. Pretrpana ili mračna područja izazivaju nesreće.
- Pogonsku jedinicu nemojte upotrebljavati u eksplozivnim atmosferama, kao na primjer u prisutnosti zapaljivih tekućina, plinova ili prašine.
- Ometanja mogu rezultirati gubitkom kontrole nad uređajem.
- Uskladite utičnicu (ako je primjenjivo) s odgovarajućim utikačem. Utičnicu i utikač nemojte modifikovati ni na koji način. Nemodifikovani utikači i odgovarajuće utičnice umanjit će rizik od strujnog udara.
- Budite oprezni, gledajte šta radite i koristite se uobičajenim osjećajem kada radite s pogonskom jedinicom. Pogonsku jedinicu nemojte upotrebljavati kada ste umorni ili pod uticajem opojnih sredstava, alkohola ili lijekova. Trenutak nepažnje tokom rada s pogonskom jedinicom može rezultirati teškim tjelesnim povredama.
- Upotrebljavajte ličnu zaštitnu opremu. Zaštitna oprema poput maske za zaštitu od prašine, neključajuće sigurnosne obuće, kacige ili zaštite za sluh upotrijebljena za odgovarajuće uslove smanjit će tjelesne povrede.
- Obucite se prikladno. Nemojte nositi široku odjeću ili nakit. Kosu i odjeću uvijek držite podalje od dijelova koji se kreću. Dijelovi koji se kreću mogu zahvatiti široku odjeću, nakit ili dugu kosu.
- Nemojte dozvoliti da vas poznavanje alata stečeno čestom upotrebom učini samodopadnim pa da ignorišete sigurnosne principe za alat. Nemarne radnje u djeliću sekunde mogu rezultirati teškim povredama.
- Servisiranje pogonske jedinice prepustite kvalifikovanom osoblju za popravak koje upotrebljava samo identične zamjenske dijelove. Time će se osigurati održavanje sigurnosti pogonske jedinice.
- Uvijek budite posebno oprezni pri pokretanju pogonske jedinice, a da je niste u potpunosti postavili na alat.
- Nemojte upotrebljavati oštećen ili modifikovan komplet baterija ili alat. Oštećene ili modifikovane baterije mogu pokazati nepredvidivo ponašanje koje može rezultirati požarom, eksplozijom ili opasnošću od povreda.
- Komplet baterija ili alat nemojte izlagati vatri ili previsokoj temperaturi. Izlaganje vatri ili temperaturi višoj od 130 °C može uzrokovati eksploziju.
- Pridržavajte se svih uputstava za punjenje i komplet baterija ili alat nemojte puniti izvan okvira opsega temperature navedenog u uputstvima. Nepropisno punjenje ili punjenje pri temperaturama izvan okvira određenog opsega može oštetiti bateriju i povećati opasnost od požara.
- Nemojte nikada servisirati oštećene komplete baterija. Servisiranje kompleta baterija smiju obavljati samo proizvođač ili ovlašteni serviseri.
- Mjere opreza za komplete baterija potražite u priručniku za upotrebu kompleta baterija.

SIGURNOSNI SIMBOLI

⚠ UPOZORENJE! Rukovanje električnim alatima može rezultirati odbacivanjem stranih predmeta u oči, što opet može izazvati teška oštećenja očiju. Prije početka rukovanja električnim alatom, uvijek nosite zatvorene zaštitne naočale ili zaštitne naočale s bočnim štitnicima, a prema potrebi i štitnik za cijelo lice. Preporučujemo nošenje sigurnosne maske proizvođača Wide Vision preko naočala ili nošenje standardnih zaštitnih naočala s bočnim štitnicima.



S razumijevanjem pročitajte korisnički priručnik.



Otpadni električni proizvodi ne smiju se odlagati s otpadom iz domaćinstva. Odnosite ih u ovlašteni centar za reciklažu.

IPX5 Stepen zaštite od prodiranja



Istosmjerna struja

V Napon

TEHNIČKI PODACI

Napon	56 V
Dužina x širina x visina	PU2710/PU2710E: 342 mm x 306 mm x 344 mm PU2710RC: 342 mm x 290 mm x 344 mm
Masa (bez kompleta baterija)	PU2710/PU2710E: 11.4 kg PU2710RC: 11.5 kg
IP	IPX5
Priključak za bateriju	Dva priključka
Regulator brzine	Ekonomični/turbo režim rada (kontinuirano promjenjivi 1200 – 3600 o/min)
LED svjetlosni indikator kvara	Da
Sistem hlađenja	Hlađenje zrakom
Pročistač zraka	Lako zamjenjivi spužvasti filter
Neto izlazna snaga	3,47 kW i 3450 o/min
Maks. neto moment pritezanja	9,2 N.m i 3450 o/min
Elektronička kočnica	Da
PTO kardansko vratilo	Horizontalno
Rotacija PTO kardanskog vratila (sa strane PTO kardanskog vratila)	U smjeru suprotnom smjeru kretanja kazaljki na satu
Dimenzije PTO kardanskog vratila	Pogledajte sl. A2.
Preporučena radna temperatura	-15°C – 40°C

Preporučena temperatura skladištenja	0°C – 50°C
--------------------------------------	------------

OPIS

UPOZNAJTE SVOJU POGONSKU JEDINICU (sl. A1)

1. Poklopac pretinca za baterije
2. Mehanizam za izbacivanje
3. Pretinac za baterije
4. Utor za otpuštanje baterije
5. Blokirno okretno dugme
6. Pročistač zraka
7. Prekidač napajanja*
8. LED ekran*
 - 8-a. Ukupni sati rada (H)
 - 8-b. Znak Bluetooth
 - 8-c. Znak brzine okretanja
 - 8-d. Znak nivoa napunjenosti baterije
 - 8-e. Znak kvara
 - 8-f. Znak blokade
 - 8-g. Znak previsoke temperature
9. Ručica za kontinuirano promjenjivi rad*
10. Otvor/blok za ožičenje
11. Postolje
12. PTO kardansko vratilo
13. Otvor s navojem za ključ
14. Otpuštanje baterije
15. Ključ (x2)

***NAPOMENA!** Sklop upravljačke ploče prekidača napajanja, LED ekrana i ručice za kontinuirano promjenjivi rad ugrađen je u jedinicu modela PU2710/PU2710E, ali je odvojen od jedinice modela PU2710RC.

SADRŽAJ PAKOVANJA (SL. A1)

SASTAVLJANJE

- PU2710

Sastavljanje nije potrebno.

BS

PU2710RC

Prikjučite sklop upravljačke ploče na pogonsku jedinicu (sl. B1 i B2).

B1-1	Utičnica za kabel	B1-2	Utikač kabla
B2-1	Završni poklopac	B2-2	Vijak (x4)

■ PU2710E

Priključite jedinicu na prekidač ili drugi ekvivalent (nije u sadržaju isporuke).

- Otpustite šest vijaka s prednjeg poklopca, a zatim uklonite prednji poklopac (sl. C1).
- U pogonskoj jedinici postoje rezervisana dva vanjska priključka, otpustite matice (sl. C2).
- Uklonite blok, upotrijebite odgovarajuće žice za spajanje pogonske jedinice i pokrenite prekidač ili drugi ekvivalent. Priključni kraj treba biti kablovska stopica i može se spojiti maticama (sl. C3).
- Nema potrebe da ponovo postavljate blok. Zatim ponovo postavite prednji poklopac (sl. C4).

C1-1	kvijak (x6)	C2-1	Matica i podloška (x2)
C3-1	Blok		

RAD

PROVJERA PRIJE RADA

Pročistač zraka (sl. D)

Provjerite elemente pročistača zraka kako biste se uvjerali da su čisti i u dobrom stanju.

Očistite ili prema potrebi zamijenite elemente prema uputama u odjeljku "SERVISIRANJE PROČISTAČA ZRAKA".

⚠ OPREZ! Pogonsku jedinicu nemojte nikada upotrebljavati bez pročistača zraka. U suprotnom može doći do ubrzanog trošenja.

POSTAVLJANJE/UKLANJANJE KOMPLETA BATERIJA

Upotrebljavajte samo preporučene komplete baterija i punjače proizvođača EGO (sl. A3). Za optimalan radni učinak preporučujemo da pričvrstite: 2 x 12 Ah, 2 x 10 Ah ili najmanje 2 x 7,5 Ah baterije.

Potpuno punjenje kompleta baterija prije prve upotrebe

- Za postavljanje kompleta baterija** poravnajte kontakte baterije s utorima vodilice pogonske jedinice i pritisnite komplet baterija prema dolje dok ne začujete zvuk klikanja (sl. E1).
- Za skidanje kompleta baterija** stavite element za otpuštanje baterije u utor i gurnite ga prema desno

strani. To će rezultirati ispumpanjem baterije iz pretinca za baterije (sl. E2).

E2-1	Utor za otpuštanje baterije
------	-----------------------------

NAPOMENA! Baterija se može skinuti samo pomoću elementa za otpuštanje baterije.

NAPOMENA! Element za otpuštanje baterije nemojte ostavljati u utoru u slučaju da se baterija neočekivano izvadi.

POKRETANJE POGONSKE JEDINICE (SL. F)

■ PU2710/PU2710RC

- Utaknite ključ u prekidač napajanja i okrenite ga 45° u smjeru kretanja kazaljki na satu u položaj "UKLJUČENO". Pogonska jedinica će biti spremna za rad kada se LED ekran i zeleni svjetlosni indikator kompleta baterija uključe.
- Ključ ponovo okrenite 45° u smjeru kretanja kazaljki na satu u položaj "POKRETANJE" i pogonska jedinica će početi da radi.

■ PU2710E

NAPOMENA! Za pokretanje pogonske jedinice uvijek pratite korake navedene u nastavku. Pogonska jedinica se ne može pokrenuti ako se priključeni prekidač uključi prije okretanja ključa u položaj "UKLJUČENO".

- Utaknite ključ u utor na prekidaču napajanja i okrenite ga u položaj "UKLJUČENO". Pogonska jedinica je spremna za rad kada se uključe LED ekran i zeleni svjetlosni indikator kompleta baterija.
- Uključite priključeni prekidač (nije u sadržaju isporuke). Pogonska jedinica počinje raditi.

NAPOMENA! Kada je pogonska jedinica spremna za rad ili kada radi, ključ nije moguće izvaditi iz utora prekidača.

ZAUSTAVLJANJE POGONSKE JEDINICE

■ PU2710/PU2710RC

Privremeno zaustavljanje pogonske jedinice jednostavno okrenite ključ u položaj "UKLJUČENO".

Za potpuno zaustavljanje pogonske jedinice okrenite ključ u položaj "ISKLJUČENO".

■ PU2710E

Za privremeno zaustavljanje pogonske jedinice jednostavno isključite priključeni prekidač (nije u sadržaju isporuke).

Za potpuno zaustavljanje pogonske jedinice okrenite ključ u položaj "ISKLJUČENO".

NAPOMENA! Radi sprečavanja neočekivanog pokretanja okrenite kliču u položaj "ISKLUČENO" da potpuno isključite pogonsku jedinicu.

PODEŠAVANJE BRZINE (SL. G)

Okrenite ručicu za kontinuirano promjenjivi rad i pomoću indikatorskog utora na ručici pronađite i odaberite brzinu između "ECO" i "TURBO".

NAPOMENA! Brzinu možete i prethodno podesiti prije pokretanja.

G-1	Indikatorski utor
-----	-------------------

NAPAJANJE RASVJETNE OPREME

Ova pogonska jedinica može napajati vanjsku rasvjetnu opremu, a napon je isti kao i nazivni napon pogonske jedinice.

- Otpustite šest vijaka s prednjeg poklopca, a zatim uklonite prednji poklopac (sl. H1).
- U pogonskoj jedinici postoje rezervisana dva para vanjskih priključaka, s jednim parom na lijevoj strani koji je izlazni priključak, lijevi je negativan, a desni pozitivan (s pozitivnim i negativnim znakom na priključku) (sl. H2).
- Uklonite blok i upotrijebite odgovarajuće žice za spajanje pogonske jedinice i rasvjetne opreme. Priključni kraj treba bi biti kablovska stopica i može se spojiti vijcima M5 (sl. H3).
- Nema potrebe da ponovo postavljate blok. Zatim ponovo postavite prednji poklopac (sl. H4).

NAPOMENA! Za zaštitu pogonske jedinice potrebno je priključiti osigurač od maksimalno 12 A. Oštećenje proizvoda uzrokovano nepriključivanjem osigurača nije pokriveno garancijom.

PRIKLJUČAK NA VANJSKI SIGURNOSNI PREKIDAČ


Vanjski sigurnosni prekidač može se priključiti na pogonsku jedinicu, što rukovaocu omogućuje da pravovremeno zaustavi pogonsku jedinicu u slučaju nužde.

- Otpustite šest vijaka s prednjeg poklopca, a zatim uklonite prednji poklopac (sl. I1).
- U pogonskoj jedinici postoje rezervisana dva vanjska priključka. Upotrebljavajte par na desnoj strani. Otpustite vijke i uklonite žicu (sl. I2).
- Uklonite blok i priključite pogonsku jedinicu odgovarajućim žicama. Priključni kraj treba bi biti kablovska stopica i može se spojiti vijcima M5 (sl. I3).

- Nema potrebe da ponovo postavljate blok. Zatim ponovo postavite prednji poklopac (sl. I4).

NAPOMENA! Zaustavljanjem pogonske jedinice putem vanjskog sigurnosnog prekidača može se samo zaustaviti motor pogonske jedinice, ali se ne može potpuno isključiti jedinica; to znači da je cijela jedinica i dalje uključena. Za ponovno pokretanje pogonske jedinice ponovo priključite vanjski sigurnosni prekidač.

PRIKAZ NA LED EKRANU

PRIKAZ	ZNAČENJE	RADNJA
	Zaštita od blokade rotora	<ul style="list-style-type: none"> Isključite napajanje i provjerite ima li blokada oko potrošača. Nakon čišćenja ponovo pokrenite pogonsku jedinicu. Ako se zaštita od blokade rotora i dalje prikazuje, za popravak se obratite servisnom centru proizvođača EGO.
	Nizak napon	<ul style="list-style-type: none"> Ponovo napunite komplet/e baterija.
	Komplet baterija je pregrijan.	<ul style="list-style-type: none"> Provjerite i očistite pročištač zraka. Pričekajte da se baterija ohladi dok žuti LED indikator ne prestane treperiti ili pokušajte s kompletom/ima baterija većeg kapaciteta.

04 + 	Pogonska jedinica se pregrijala.	<ul style="list-style-type: none"> ▪ Pričekajte da se pogonska jedinica ohladi. ▪ Smanjite radno opterećenje.
05	Zaštita od prekomjerne struje glavne ploče	<ul style="list-style-type: none"> ▪ Pokušajte smanjiti radno opterećenje.
06	Greška u komunikaciji	<ul style="list-style-type: none"> ▪ Za popravak se obratite servisnom centru proizvođača EGO.

J1-1	Blokirno okretno dugme
------	------------------------

2. Preporučujemo da spužvasti filter očistite ispuhivanjem zračnim pištoljem ili da ga direktno zamijenite novim filterom ako je potrebno (sl. J2).

J2-1	Poklopac pročištača zraka	J2-2	Spužvasti filter
------	---------------------------	------	------------------

Postavljanje

1. Stavite spužvasti filter u poklopac pročištača zraka. Vodite računa da sve strane naliježu ravno i bez izbočina (sl. J3).
2. Pročištač zraka propisno postavite na pogonsku jedinicu.
3. Za završljivanje pročištača zraka u ležištu pritisnite blokirno okretno dugme i okrenite ga u smjeru kretanja kazaljki na satu (sl. J4).

TRANSPORT/SKLADIŠTENJE

TRANSPORT POGONSKE JEDINICE

⚠ OPREZ! U slučaju oštećenja pogonske jedinice nemojte nikada dozvoliti udaranje po PTO kardanskom vratilu ili djelovanje sila na PTO kardansko vratilo (sl. K).

SKLADIŠTENJE POGONSKE JEDINICE

- Izvadite kompletne baterija iz pogonske jedinice.
- Pogonsku jedinicu dobro očistite prije skladištenja.
- Pogonsku jedinicu skladištite na suhom, dobro prozračenom mjestu izvan dohvata djece. Pogonsku jedinicu nemojte skladištiti na gnojivima, benzinu ili drugim hemikalijama ili u njihovoj blizini.

ZAŠTITA ŽIVOTNE SREDINE



Električnu opremu, iskorištenu bateriju i punjač ne odlažite u kućni otpad! Ovaj proizvod odnesite u ovlaštenu centar za reciklažu i time omogućite odvojeno sakupljanje. Električne alate potrebno je vratiti u ekološki prihvatljiv pogon za reciklažu.

ODRŽAVANJE

⚠ UPOZORENJE! Komplete baterija izvadite prije servisiranja i čišćenja jedinice da izbjegnute tjelesne povrede.

⚠ UPOZORENJE! Kada obavljate radove servisiranja, upotrebljavajte samo identične zamjenske dijelove. Upotreba drugih dijelova može uzrokovati opasnost ili oštećenje proizvoda. Radi osiguranja sigurnosti i pouzdanosti, sve popravke treba obavljati kvalifikovani servisni tehničar.

ČIŠĆENJE POGONSKE JEDINICE

- Pogonsku jedinicu čistite vlažnom krpom i blagim deterdžentom. Nemojte nikada dozvoliti da tekućina dospije u pogonsku jedinicu i nemojte nikada uranjati dijelove pogonske jedinice u tekućinu.
- Za čišćenje plastičnog kućišta nemojte upotrebljavati jake deterdžente jer mogu ga oštetiti neka aromatična ulja, kao što su borovo i limunovo ulje i rastvori kao što je kerozin. Vlaža može izazvati opasnost od strujnog udara. Vlažna mjesta obrišite mekanom suhom krpom.

SERVISIRANJE PROČIŠTAČA ZRAKA

Uklanjanje

1. Okrenite okretno dugme u smjeru suprotnom smjeru kretanja kazaljki na satu prema slici ikone na njemu i direktno izvadite pročištač zraka (sl. J1).

OTKLANJANJE PROBLEMA

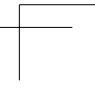
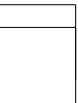
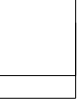
PROBLEM	UZROK	RJEŠENJE
Pogonska jedinica se ne pokreće.	<ul style="list-style-type: none"> ▪ Za modele PU2710/PU2710RC; prekidač napajanja se ne prebacuje u položaj za pokretanje "START". ▪ Za model PU2710E, priključeni prekidač se uključuje prije okretanja ključa u položaj "UKLJUČENO". ▪ Komplet/i baterija nije/nisu postavljen/i u svoje ležište u pretincu za baterije. ▪ Ostali nedefinirani uzroci. 	<ul style="list-style-type: none"> ▪ Okrenite prekidač u položaj "POKRETANJE". ▪ Uvijek prvo okrenite ključ u položaj "UKLJUČENO", a zatim uključite priključeni prekidač. ▪ Postavite komplet/e baterija u pretinac za baterije, a zatim ga/ih gurnite tako da čujete zvuk klikanja. ▪ Obratite se kvalifikovanim servisnom tehničaru radi popravka.
Pogonska jedinica prestaje raditi.	<ul style="list-style-type: none"> ▪ Komplet/i baterija je/su ispražnjen/i. ▪ Pogonska jedinica je preopterećena. ▪ Komplet/i baterija je/su pregrijan/i. ▪ Pogonska jedinica se pregrijala. ▪ Ostali nedefinirani uzroci. 	<ul style="list-style-type: none"> ▪ Napunite komplet/e baterija. ▪ Smanjite radno opterećenje. ▪ Smanjite radno opterećenje ili postojeći/e komplet/e baterije zamijenite kompletom/ima baterija većeg kapaciteta. ▪ Izbjegavajte upotrebu kompleta baterija u okruženju s visokim temperaturama. ▪ Provjerite i očistite pročistač zraka. ▪ Smanjite opterećenje i pogonsku jedinicu izbjegavajte upotrebljavati u okruženjima s visokom temperaturom. ▪ Obratite se kvalifikovanim servisnom tehničaru radi popravka.
Brzina se ne mijenja pri okretanju ručica za kontinuirano promjenjivi rad.	<ul style="list-style-type: none"> ▪ Ako je okruženje previše bučno, teško je primijetiti promjene. ▪ Neidentifikovane greške. 	<ul style="list-style-type: none"> ▪ Zaustavite pogonsku jedinicu i ponovo podesite brzinu. Izmjerite razliku u brzini za buduće provjere, ako je potrebno. ▪ Za popravak se obratite centru korisničke službe proizvođača EGO.
U slučaju kontinuirano velikih opterećenja brzina se automatski smanjuje i održava na niskom nivou brzine, što se može prepoznati po stvaranju buke pri radu.	<ul style="list-style-type: none"> ▪ Pogonska jedinica je opremljena funkcijom automatskog podešavanja za zaštitu od preopterećenja. 	<ul style="list-style-type: none"> ▪ Smanjite opterećenje u skladu s trenutnom situacijom i pogonska jedinica će se vratiti u stanje potpune brzine.

GARANCIJA

POLITIKA GARANCIJE PROIZVOĐAČA EGO

BS

Za sve odredbe i uslove politike garancije proizvođača EGO posjetite internetsku stranicu poweredbyego.com.



استكشاف الأعطال وإصلاحها

المشكلة	السبب	الحل
لا يمكن بدء تشغيل وحدة الطاقة.	<ul style="list-style-type: none"> بالنسبة إلى PU2170/PU2170RC، لا يتم تدوير مفتاح الطاقة إلى وضع "START" (بدء التشغيل) (التشغيل) بالنسبة إلى PU2710E، يكون المفتاح المتصل قيد التشغيل قبل تدوير المفتاح إلى وضع "NO" (التشغيل). مجموعة (مجموعات) البطارية غير مثبتة في موضعها الصحيح في حجيرة البطارية. أسباب أخرى غير محددة. 	<ul style="list-style-type: none"> قم بتدوير المفتاح إلى وضع "START" (بدء التشغيل). قم دائمًا بتدوير المفتاح إلى الوضع "NO" (التشغيل) أولاً، ثم قم بتشغيل المفتاح المتصل. قم بتركيب مجموعة البطارية في حجيرتها، واضغط عليها إلى أن تسمع صوت "نقرة". يُرجى التواصل مع فني صيانة متخصص للإصلاح.
وحدة الطاقة تتوقف عن العمل.	<ul style="list-style-type: none"> نقد شحن مجموعة (مجموعات) البطارية. هناك حمل زائد على وحدة الطاقة. الحرارة زائدة عن الحد في مجموعة (مجموعات) البطارية. درجة حرارة وحدة الطاقة زائدة عن الحد. أسباب أخرى غير محددة. 	<ul style="list-style-type: none"> اشحن مجموعة (مجموعات) البطارية. قلل حمل التشغيل. قلل حمل التشغيل أو استبدل مجموعة البطارية الحالية بأخرى أكبر في السعة. تجنب استخدام مجموعات البطارية في بيئة ذات درجات حرارة عالية. افحص منظم الهواء ونظفه. قلل الحمل وتجنب استخدام وحدة الطاقة في بيئة ذات درجة حرارة عالية. يُرجى التواصل مع فني صيانة متخصص للإصلاح.
لا يطرأ أي تغيير على السرعة عند تدوير ذراع السرعة المتغيرة باستمرار.	<ul style="list-style-type: none"> إذا كانت المنطقة المحيطة بها ضوضاء عالية، فمن الصعب التعرف على التغييرات. أخطاء غير محددة. 	<ul style="list-style-type: none"> أوقف تشغيل وحدة الطاقة واضبط السرعة مرة أخرى. قم بقياس فارق السرعة للتحقق بشكل إضافي، إذا لزم الأمر. تواصل مع قسم خدمة العملاء بشركة EGO لإصلاح العيب.
تنخفض السرعة تلقائيًا عند التعرض لحمل زائد بشكل متواصل وتظل على مستوى سرعة منخفض، وهو ما يمكن التعرف عليه من خلال صوت التشغيل.	<ul style="list-style-type: none"> وحدة الطاقة مزودة بوظيفة ضبط تلقائي للحماية من الحمل الزائد. 	<ul style="list-style-type: none"> قلل الحمل وفقًا للوضع الحالي، وبعد ذلك ستعود وحدة الطاقة إلى السرعة الكاملة.

الضمان

سياسة ضمان EGO

تفضل بزيارة الموقع الإلكتروني poweredbyego.com للتعرف على الشروط والأحكام الكاملة الخاصة بسياسة ضمان EGO.

حماية البيئة

لا تتخلص من المعدات الكهربائية أو البطارية المستهلكة أو الشاحن في النفايات المنزلية! بل توجه بهذا المنتج إلى مركز إعادة تدوير معتمد ليكون متاحًا للفرز بشكل منفرد. تجنب إعادة الآلات الكهربائية إلى مرفق إعادة تدوير صديق للبيئة.



في التعرض لصدمة كهربائية. امسح أي بلل بقطعة قماش جافة ناعمة.

صيانة منظم الهواء

للخلع

1. أدر بكرة القفل عكس اتجاه عقارب الساعة وفقًا للرسم التوضيحي الموضح عليها، واخلع منظم الهواء مباشرة (الشكل J1).

J1-1	بكرة القفل
------	------------

2. من الموصى به استخدام مسدس هواء في تنظيف فلتر الشبكة الإسفنجية بحسب الحاجة أو استبدال الفلتر بأخر جديد مباشرة عند اللزوم (الشكل J2).

J2-1	غطاء منظم الهواء	J2-2	شبكة إسفنجية
------	------------------	------	--------------

للتركيب

1. ضع الشبكة الإسفنجية في غطاء منظم الهواء. تأكد من وضع جميع الجوانب بشكل مسطح من دون تحديبات (الشكل J3).

2. ضع منظم الهواء على وحدة الطاقة بشكل ملائم.

3. اضغط على بكرة القفل وأدراها في اتجاه عقارب الساعة لتثبيت منظم الهواء في موضعه المناسب (الشكل J4).

النقل/التخزين

نقل وحدة الطاقة

⚠ تنبيه: في حال تلف وحدة الطاقة، يُرجى عدم السماح مطلقًا بتعرض عمود تعشيق طاقة المحرك (PTO) لصدمات أو السماح لأي قوة بدفع العمود (الشكل K).

تخزين وحدة الطاقة

- اخلع مجموعات البطارية من وحدة الطاقة.
- نظف وحدة الطاقة جيدًا قبل تخزينها.
- خزن وحدة الطاقة في منطقة جافة جيدة التهوية بعيدًا عن متناول أيدي الأطفال. لا تتم بتخزين وحدة الطاقة على الأسمدة أو البنزين أو المواد الكيميائية الأخرى، أو بجوارها.

<ul style="list-style-type: none"> افحص منظم الهواء ونظفه. اترك البطارية تبرد إلى أن يتوقف مصباح LED الأصفر عن الوميض أو جرب مجموعة (مجموعات) بطارية ذات سعة أعلى. 	<p>الحرارة زائدة عن الحد في مجموعة البطارية.</p>	<p>03</p> <p>+</p> 
<ul style="list-style-type: none"> انتظر إلى أن تبرد وحدة الطاقة. خفف حمل التشغيل. 	<p>درجة حرارة وحدة الطاقة زائدة</p>	<p>04</p> <p>+</p> 
<ul style="list-style-type: none"> جرب تخفيف حمل التشغيل 	<p>وظيفة الحماية ضد التيار الزائد في اللوحة الأم</p>	<p>05</p>
<ul style="list-style-type: none"> تواصل مع مركز صيانة شركة EGO لإصلاح العيب. 	<p>قتل في الاتصال</p>	<p>06</p>

الصيانة

⚠ تحذير: اخلع مجموعات البطارية قبل تنظيف الوحدة أو إجراء أعمال الصيانة عليها لتجنب وقوع إصابات شخصية.

⚠ تحذير: استخدم فقط قطع غيار أصلية عند إجراء أعمال الصيانة. لأن استخدام أي أجزاء أخرى قد ينشأ عنه خطر أو يتسبب في تعرض المنتج للتلف. لضمان السلامة والاعتمادية، يجب تنفيذ جميع أعمال الإصلاح من قبل فني خدمة مؤهل.

تنظيف وحدة الطاقة

- نظف وحدة الطاقة باستخدام قطعة قماش مبللة مع منظف خفيف. لا تسمح أبداً بدخول أي سوائل إلى داخل وحدة الطاقة؛ ولا تعمر أي جزء منها في السوائل بأي حال من الأحوال.
- لا تستخدم أي منظفات قوية على الهيكل البلاستيكي. لأنهم معرضون للتلف بفعل زيوت عطرية معينة، مثل الصنوبر والليمون، وبفعل محاليل مثل الكيروسين. كما قد تتسبب الرطوبة

ملاحظة: يجب توصيل مصهر لا تزيد قدرته عن 12 أمبير لحماية وحدة الطاقة. لا يغطي الضمان أي تلف في المنتج ناتج عن عدم توصيل مصهر.

التوصيل بمفتاح أمان خارجي

يمكن توصيل مفتاح أمان خارجي بوحدة الطاقة، مما يسمح للمشغل بإيقاف تشغيل وحدة الطاقة في الوقت المناسب في حالة الطوارئ.

1. قم بفك المسامير الستة من الغطاء الأمامي، واخلع الغطاء الأمامي (الشكل 11).

2. يوجد منفذان خارجيان مخصصان داخل رأس الطاقة، استخدم الزوج الموجود على اليمين. قم بفك المسامير وإزالة السلك (الشكل 12).

3. قم بإزالة السدادة وتوصيل وحدة الطاقة بأسلاك مناسبة. يجب أن يكون طرف التوصيل عبارة عن عروة طرفية ويمكن توصيلها باستخدام مسامير M5 (الشكل 13).

4. لا حاجة لإعادة تركيب السدادة، وفي النهاية، أعد تركيب الغطاء الأمامي (الشكل 14).

ملاحظة: يمكن أن يؤدي إيقاف وحدة الطاقة باستخدام مفتاح أمان خارجي إلى إيقاف محرك وحدة الطاقة فقط، ولا يمكن إيقاف تشغيل الوحدة تماماً؛ مما يعني أن الوحدة بأكملها ما تزال في حالة توصيل الطاقة. لإعادة تشغيل وحدة الطاقة، يرجى استئناف التوصيل الكهربائي لمفتاح الأمان الخارجي.

وحدة شاشة LED

البيان المعروف	المعنى	الإجراء
<p>01</p> <p>+</p> 	<p>الحماية ضد قفل العمود الدوار</p>	<ul style="list-style-type: none"> افصل الطاقة وتحقق من وجود أي عوائق حول مصدر التحميل. بعد التنظيف، أعد تشغيل وحدة الطاقة. إذا استمر عرض رمز الحماية ضد قفل العمود الدوار على الشاشة، فاتصل بمركز خدمة EGO للإصلاح.
<p>02</p>	<p>الجهد الكهربائي منخفض</p>	<ul style="list-style-type: none"> أعد شحن مجموعة (مجموعات) البطارية.

C1-1	مسامر (x6)	C2-1	صامولة ووردة (x2)
C3-1	سدادة		

1. ضع المفتاح في فتحة مفتاح الطاقة، وقم بتدويره إلى وضع "NO" (التشغيل). ستكون وحدة الطاقة جاهزة للعمل عندما يتم تشغيل شاشة LED والمصباح الأخضر لمجموعة البطارية.
 2. قم بتشغيل المفتاح المتصل (غير مرفق)، فتبدأ وحدة الطاقة في العمل.
- ملاحظة:** لا يمكن إخراج المفتاح من فتحة المفتاح عندما تكون وحدة الطاقة جاهزة للعمل أو قيد التشغيل.

إيقاف تشغيل وحدة الطاقة

PU2710/PU2710RC

لإيقاف وحدة الطاقة مؤقتًا ما عليك سوى تدوير المفتاح إلى وضع "ON" (التشغيل).

لإيقاف تشغيل وحدة الطاقة تمامًا، أدر المفتاح إلى وضع "OFF" (الإيقاف).

PU2710E

لإيقاف وحدة الطاقة مؤقتًا، ما عليك سوى إيقاف تشغيل المفتاح المتصل (غير مرفق).

لإيقاف تشغيل وحدة الطاقة تمامًا، أدر المفتاح إلى وضع "OFF" (الإيقاف).

ملاحظة: لمنع بدء التشغيل غير المتوقع، أدر المفتاح إلى وضع "OFF" (الإيقاف) لإيقاف تشغيل وحدة الطاقة تمامًا.

ضبط السرعة (الشكل G)

أدر ذراع السرعة المتغيرة باستمرار واستخدم فتحة الإشارة على الذراع لمساعتك في تحديد واختيار السرعة بين "ECO" (اقتصادي) و "TURBO" (تريو).

ملاحظة: يمكن أيضًا ضبط السرعة مسبقًا قبل بدء التشغيل.

G-1	فتحة الإشارة
-----	--------------

معدات الإضاءة بالطاقة

يمكن لوحدة الطاقة هذه توفير الطاقة لمعدات الإضاءة الخارجية، ويتوافق الجهد الكهربائي مع الجهد المقدر لرأس الطاقة.

1. قم بفك المسامير الستة من الغطاء الأمامي، وأخلع الغطاء الأمامي (الشكل H1).

2. يوجد زوجان من المنافذ الخارجية المخصصة داخل وحدة الطاقة، حيث أحد الزوجين جهة اليسار هو منفذ الإخراج، وعلى الجانب الأيسر هو الطرف السالب والجانب الأيمن هو الطرف الموجب (مع وجود علامة زائد ونقص على الواجهة) (الشكل H2).

3. قم بإزالة السدادة واستخدم الأسلاك المناسبة لتوصيل وحدة الطاقة ومعدات الإضاءة. يجب أن يكون طرف التوصيل عبارة عن عروة طرفية ويمكن توصيلها باستخدام مسامير M5 (الشكل H3).

4. لا حاجة لإعادة تركيب السدادة، وفي النهاية، أعد تركيب الغطاء الأمامي (الشكل H4).

التشغيل

الفحص السابق للتشغيل

منظف الهواء (الشكل D)

افحص مكونات منظف الهواء للتأكد من نظافتها وأنها في حالة جيدة. نظف أو استبدل المكونات عند اللزوم وفقًا للتعليمات الواردة في قسم "صيانة منظف الهواء".

⚠ تنبيه: لا تقم مطلقًا بتشغيل وحدة الطاقة من دون منظف الهواء. سيؤدي ذلك إلى تهاك المنتج بسرعة.

تركيب/فك مجموعة البطارية

لا تستخدم أي مجموعات بطارية أو شواحن غير تلك الموصى بها من قبل شركة EGO (الشكل A3). للحصول على الأداء الأمثل، من الموصى به تركيب: بطاريتين 12 أمبير في الساعة، أو بطاريتين 10 أمبير في الساعة، أو على الأقل بطاريتين 7.5 أمبير في الساعة.

اشحن البطارية بالكامل قبل الاستخدام لأول مرة

1. لتركيب مجموعة البطارية، قم بمحاذاة دعائم البطارية مع فتحات التوجيه الخاصة بوحدة الطاقة، واضغط على مجموعة البطارية لأسفل إلى أن تسمع صوت "نقرة" (الشكل E1).

2. لفصل مجموعة البطارية، ضع محرر البطارية في الفتحة وادفعه نحو الجانب الأيمن؛ وحينها ستنبثق البطارية من حجرة البطارية (الشكل E2).

E2-1	فتحة تحرير البطارية
------	---------------------

ملاحظة: لا يمكن فصل البطارية إلا باستخدام محرر البطارية.

ملاحظة: لا تترك محرر البطارية في الفتحة في حالة إخراج البطارية بشكل غير متوقع.

بدء تشغيل وحدة الطاقة (الشكل F)

PU2710/PU2710RC

1. ضع المفتاح في مفتاح الطاقة وأدره بزاوية 45 درجة في اتجاه عقارب الساعة إلى وضع "ON" (التشغيل)، وستكون وحدة الطاقة جاهزة للعمل عندما يتم تشغيل شاشة LED والمصباح الأخضر لمجموعة البطارية.

2. أدر المفتاح بزاوية 45 درجة في اتجاه عقارب الساعة مرة أخرى إلى وضع "START" (بدء التشغيل)، وحينها تبدأ وحدة الطاقة في العمل.

PU2710E

تنبيه: اتبع دائمًا الخطوات المذكورة أعلاه لبدء تشغيل وحدة الطاقة. لا يمكن بدء تشغيل وحدة الطاقة إذا كان المفتاح المتصل قيد التشغيل قبل تدوير المفتاح إلى وضع "NO" (التشغيل).

المواصفات

3. درج البطارية
 4. فتحة تحرير البطارية
 5. بكرة القفل
 6. منظم الهواء
 7. مفتاح الطاقة*
 8. شاشة LED*
 - 8-a. إجمالي ساعات التشغيل (بالساعة)
 - 8-b. علامة البلوتوث
 - 8-c. علامة سرعة الدوران
 - 8-d. علامة مستوى شحن البطارية
 - 8-e. علامة وجود عطل
 - 8-f. علامة حظر الاستخدام
 - 8-g. علامة الارتفاع الزائد في درجة الحرارة
 9. ذراع السرعة المتغيرة باستمرار*
 10. فتحة الأسلاك/السدادة
 11. القاعدة
 12. عمود تعشيق طاقة المحرك (PTO)
 13. فتحة تعليق المفتاح
 14. محرر البطارية
 15. المفتاح (x2)
- *ملاحظة: صندوق لوحة التحكم الخاص بمفتاح الطاقة، وشاشة DCL، وذراع السرعة المتغيرة باستمرار مدمجون في الوحدة PU2710/PU2710E، ولكنهم منفصلون عن الوحدة PU2710RC.

قائمة المحتويات (الشكل A1)

التجميع

PU2710

ليس في حاجة إلى التجميع.

PU2710RC

قم بتوصيل صندوق لوحة التحكم بوحدة الطاقة (الشكلان B1 و B2)

B1-1	مقبس الكابل	B1-2	قابس الكابل
B2-1	غطاء الطرف	B2-2	مسمار (x4)

PU2710E

قم بتوصيل الوحدة بمفتاح أو جهاز مكافئ (غير مرفق)

1. قم بفك المسمار السنّة من الغطاء الأمامي، وأخلع الغطاء الأمامي (الشكل C1).

2. يوجد منفذان خارجيان مخصصان داخل رأس الطاقة، قم بفك الصواميل (الشكل C2).

3. قم بإزالة السدادة واستخدم الأسلاك المناسبة لتوصيل وحدة الطاقة ومفتاح بدء التشغيل أو أي جهاز مكافئ. يجب أن يكون طرف التوصيل عبارة عن عروة طرفية ويمكن توصيلها باستخدام الصواميل (الشكل C3).

4. لا حاجة إلى إعادة تركيب السدادة، وفي النهاية، أعد تركيب الغطاء الأمامي (الشكل C4).

الجهد الكهربائي	56 فولت ---
الطول × العرض × الارتفاع	342مم × 306مم × 344مم PU2710/PU2710E: 342مم × 290مم × 344مم PU2710RC:
الوزن (بدون وحدة البطارية)	11.4 كجم: PU2710/PU2710E 11.5 كجم: PU2710RC
الحماية ضد دخول الماء	IPX5
منفذ البطارية	منافذ مزدوجة
التحكم في السرعة	أوضاع Eco (الاقتصادي)/ Turbo (متغيرة باستمرار 3600-1200 لفة في الدقيقة)
مؤشر الأعطال بلمبات LED	نعم
نظام التبريد	تبريد بالهواء
منظم الهواء	شبكة إسفنجية يمكن تغييرها بسهولة
صافي خرج الشاحن	3.47 كيلوواط عند 3450 لفة في الدقيقة
الحد الأقصى لاصافي عزم التدوير	9.2 نيوتن متر عند 3450 لفة في الدقيقة
الفرملة الإلكترونية	نعم
عمود تعشيق طاقة المحرك (PTO)	أفقي
دوران عمود تعشيق طاقة المحرك (PTO) (من جانب عمود تعشيق طاقة المحرك)	عكس اتجاه عقارب الساعة
أبعاد عمود تعشيق طاقة المحرك (PTO)	راجع الشكل A2
درجة حرارة التشغيل الموصى بها	15- إلى 40 درجة مئوية
درجة حرارة التخزين الموصى بها	0 إلى 50 درجة مئوية

الوصف

تعرف على وحدة الطاقة (الشكل A1)

1. غطاء حبيرة البطارية
2. ألية الإخراج

تعليمات السلامة

- ينبغي إجراء الصيانة على وحدة الطاقة بواسطة فني إصلاح متخصص باستخدام قطع غيار أصلية مطابقة فقط. فهذا يضمن المحافظة على سلامة وحدة الطاقة.
- احرص على الانتباه دائماً عند تشغيل وحدة الطاقة من دون تركيبها في الآلة بالكامل.
- لا تستخدم مجموعة البطارية أو الآلة إذا كانا تالفين أو تم إدخال تعديلات عليهما. لأن البطاريات التالفة أو التي تم تعديلها قد تعمل بشكل غير متوقع، وهو ما قد يؤدي لنشوب حريق أو حدوث انفجار أو خطر التعرض لإصابة.
- لا تقم بتعرض مجموعة البطارية أو الآلة للحرق أو درجات الحرارة الزائدة. التعرض لدرجات الحرارة الأعلى من 130 درجة مئوية قد يؤدي لحدوث انفجار.
- اتبع تعليمات الشحن ولا تشحن مجموعة البطارية أو الآلة في نطاق درجة حرارة خارج النطاق المحدد في التعليمات. قد يؤدي الشحن غير المضبوط أو في درجات حرارة خارج النطاق المسموح به إلى تلف البطارية وخطر نشوب حريق.
- لا تقم بصيانة مجموعات البطارية التالفة بأي حال من الأحوال. بل ينبغي أن تكون صيانة مجموعات البطارية من خلال الشركة الصانعة أو مقدمي الخدمة المعتمدين فقط.
- راجع دليل تعليمات مجموعة البطارية للتعرف على الإجراءات الوقائية الخاصة بمجموعات البطارية.

رموز السلامة

- **تحذير:** قد يؤدي تشغيل أي آلة عاملة بالطاقة إلى دخول أي أشياء غريبة في عينيك، وهو ما قد يؤدي إلى إلحاق أضرار خطيرة بالعين. قبل بدء تشغيل الآلة العاملة بالطاقة، احرص دائماً على ارتداء واقبات العينين أو نظارات حماية العينين ذات دروع جانبية، ودرع واقي لكامل الوجه عند اللزوم. ونصي بارترداء قناع السلامة واسع الرؤية لاستخدامه فوق نظارات العين أو نظارات السلامة العادية ذات الدروع الجانبية.

لا يجب التخلص من الأجهزة الكهربائية المستهلكة في النفايات المنزلية. توجه بالجهاز إلى مركز إعادة تدوير معتمد.

تيار مستمر



- **تحذير:** اقرأ جميع تحذيرات السلامة والتعليمات والرسوم التوضيحية والموصفات المرفقة مع هذه الآلة. عدم اتباع جميع التعليمات الواردة أدناه قد يؤدي إلى حدوث صدمة كهربائية أو نشوب حريق أو التعرض للإصابة، أحدها أو جميعها.

احتفظ بجميع التحذيرات والتعليمات للرجوع إليها في المستقبل.

- حافظ على منطقة العمل نظيفة ومضاءة جيداً. حيث عادة ما تتسبب المناطق المظلمة أو التي بها ركام إلى وقوع حوادث.
- لا تقم بتشغيل وحدة الطاقة في أجواء قابلة للانفجار، على سبيل المثال في وجود سوائل أو غازات أو غبار قابلة للاشتعال.
- حيث أن الإلهاءات قد تجعلك تفقد السيطرة على الآلة.
- طابق المقبس (إن أمكن) مع القابس الملائم. لا يجب إدخال تعديلات على المقبس أو القابس بأي حال من الأحوال. سنؤدي القوابس غير المعدلة والمقابس المتوافقة إلى الحد من خطر حدوث صدمة كهربائية.
- ابق منتهباً، وانتبه جيداً لما تفعله، وكن عقلياً عند تشغيل وحدة الطاقة. لا تستخدم أي وحدة طاقة وأنت مجهد أو تحت تأثير المخدرات أو الكحوليات أو الأدوية. لحظة من عدم الانتباه أثناء تشغيل وحدة الطاقة قد تؤدي إلى تعرض الأشخاص لإصابات خطيرة.
- استعن بمعدات الحماية الشخصية. سيؤدي استخدام أدوات الحماية كقناع الغبار أو أذنية السلامة المضادة للانزلاق أو القبعة الصلبة أو أدوات حماية السمع في ظروف مناسبة إلى الحماية من الإصابات الشخصية.
- ارتد الملابس الملائمة. لا ترتد ملابس أو مجوهرات غير ثابتة. احتفظ بشعرك وملابسك بعيداً عن الأجزاء المتحركة. قد تعلق الملابس الفضفاضة أو المجوهرات أو الشعر الطويل في الأجزاء المتحركة.
- لا تدع الخبرة المكتسبة من الاستخدام المتكرر للآلات يجعلك تتعامل دون الانتباه اللازم وتتجاهل مبادئ السلامة المتعلقة بالآلة. فقد يتسبب أي إجراء غير مدروس في إصابات خطيرة في جزء من الثانية.

اقرأ دليل التشغيل وافهمه



درجة حماية الدخول IPX5

V الجهد الكهربائي

איתור וטיפול בבעיות

בעיה	סיבה	פתרון
לא ניתן להפעיל את יחידת הכוח.	<ul style="list-style-type: none"> עבור PU2170/PU2170RC, מתג המתח אינו מועבר אל מצב "הפעלה". עבור PU2170E, יש להפעיל את המתג המחובר לפני סיבוב המפתח למצב "ON" (הפעלה). מארז/ הסוללה אינו משולב במקומו בתא הסוללה. גורמים בלתי מזוהים אחרים. 	<ul style="list-style-type: none"> סובבו את המתג למצב "START". סובבו תמיד את המפתח למצב "ON" (הפעלה) תחילה, ולאחר מכן הפעילו את המתג המחובר. חברו את מארז/ הסוללה אל תא הסוללה ולחצו אותו עד אשר יישמע "קליק". פנו לטכנאי שירות מוסמך לתיקון.
יחידת הכוח מפסיקה לעבוד.	<ul style="list-style-type: none"> מארז/ הסוללה ריק/ים. עומס יתר ביחידת הכוח. מארז/ הסוללה נמצאים בטמפרטורה גבוהה מדי. יחידת הכוח התחממה יתר על המידה. גורמים בלתי מזוהים אחרים. 	<ul style="list-style-type: none"> הטעינו את מארז/ הסוללה. הפחיתו את עומס העבודה. הפחיתו את עומס העבודה או החליפו במארז/ הסוללה בעלי קיבולת גדולה יותר. הימנעו משימוש במארז/ הסוללה בסביבת טמפרטורה גבוהה. בדקו ונקו את מטהר האוויר. הפחיתו את העומס והימנעו משימוש ביחידת הכוח בסביבת טמפרטורה גבוהה. פנו לטכנאי שירות מוסמך לתיקון.
המהירות אינה משנה דבר בעת סיבוב הידית המשתנה ברציפות.	<ul style="list-style-type: none"> אם הסביבה רועשת מדי, קשה לזהות שינויים. תקלות בלתי מזוהו. 	<ul style="list-style-type: none"> עצרו את יחידת הכוח והתאימו את המהירות מחדש. מדדו את הבדל המהירות כדי להמשיך לבדוק, לפי הצורך. צרו קשר עם מחלקת שירות הלקוחות של EGO לתיקונים.
המהירות יורדת אוטומטית כאשר ישנו עומס כבד מתמשך וממשיך ברמת מהירות נמוכה, אותו ניתן לזהות באמצעות צליל ההפעלה.	<ul style="list-style-type: none"> יחידת הכוח כוללת פונקציית כיוונון אוטומטית עבור הגנה מפני עומס יתר. 	<ul style="list-style-type: none"> הפחיתו את העומס בהתאם למצב בפועל, ואז יחידת הכוח תחזור למצב המהירות המלא.

אחריות

מדיניות האחריות של EGO

ניתן לבקר באתר poweredbyego.com כדי לעיין בתנאים וההתניות המלאים של מדיניות האחריות של EGO.

העברה/אחסון

העברת יחידת הכוח

⚠️ זהירות: במקרה של גרימת נזק ליחידת הכוח, לעולם אל תאפשרו למוט ה-PTO להיפגע או להשתמש בכוח כדי לדחוף אותו פנימה (איור K).

אחסון יחידת הכוח

- הסירו את מארזי הסוללה מיחידת הכוח.
- נקו את יחידת הכוח ביסודיות לפני אחסונה.
- אחסנו את יחידת הכוח במקום יבש, מאוורר היטב, הרחק מהישג ידם של ילדים. אל תאחסנו את יחידת הכוח קרוב לחומרי דשן, חומרי דלק או כימיקלים אחרים.

הגנה על הסביבה

אין לזרוק ציוד חשמלי, מטעני סוללות וסוללות ביחד עם אשפה ביתית! קחו מוצרים אלו למרכז מחזור מוסמך ו-וודאו שהם זמינים לאיסוף נפרד. יש להחזיר כלים חשמליים אל מתקן מחזור המתאים לסביבה.



<ul style="list-style-type: none"> צרו קשר עם מרכז השירות של EGO לצורך תיקון. 	כשל בתקשורת	
--	-------------	--

תחזוקה

⚠️ אזהרה: למניעת פציעה, הסירו את מארזי הסוללה לפני ביצוע עבודות תיקון, ניקיון של היחידה.

⚠️ אזהרה: במקרה של עבודות תיקון, השתמשו רק בחלקי חילוף זהים. שימוש בחלקי חילוף אחרים עלול לגרום לסכנה או נזק למוצר. כדי להבטיח בטיחות ואמינות, יש לבצע את כל התיקונים וההחלפות בעזרת טכנאי שירות מוסמך.

ניקוי יחידת הכוח

- נקו את יחידת הכוח בעזרת מטלית לחה וסבון עדין, לעולם אל תרשו לנוזלים להיכנס אל תוך יחידת הכוח; לעולם אל תטבילו כל חלק של יחידת הכוח בתוך נוזלים.
- אל תעשו שימוש בחומרי ניקוי חזקים על תא הפלסטיק. עלול להיגרם להם נזק על ידי שמנים ארומטיים למיניהם, כגון אורן ולימון, ועל ידי ממסים כגון נפט. לחות עלולה גם לגרום לסכנת שוק חשמלי. נקו כל לחות בעזרת מטלית רכה ויבשה.

שירות מטהר האוויר

להסרה

- סובבו את כפתור הנעילה נגד כיוון השעון בהתאם לאיור הסמל והוציאו את מטהר האוויר (איור J1).

J1-1	כפתור נעילה
------	-------------

- מומלץ להשתמש ברובה אוויר כדי לנקות את מסנן רשת הספוג לפי הצורך או להחליף אותו ישירות אם יש בכך צורך (איור J2).

J2-1	מכסה מטהר האוויר	J2-2	רשת ספוג
------	------------------	------	----------

להתקנה

- הכניסו את רשת הספוג לתוך מכסה מטהר האוויר. ודאו שכל הצדדים מונחים באופן שטוח ללא גושים (איור J3).
- הניחו את מטהר האוויר על יחידת הכוח כראוי.
- לחצו וסובבו בכיוון השעון את כפתור הנעילה כדי לנעול את מטהר האוויר במקומו (איור J4).

תצוגת מסך LED

תצוגה	משמעות	פעולה
	הגנה על נעילת הרוטור	<ul style="list-style-type: none"> נתקו את הכוח ובדקו אם יש חסימות סביב העומס. ניקוי יחידת הכוח אם ההגנה על נעילת הרוטור עדיין מוצגת, יש לפנות למרכז השירות EGO לצורך תיקון.
	מתח נמוך	<ul style="list-style-type: none"> טענו מחדש את מארזי/ה הסוללה.
	טמפרטורות מארז הסוללה גבוהה מדי	<ul style="list-style-type: none"> בדקו ונקו את מטרה האוויר. אפשרו לסוללה להתקרר עד שהנורית הצהובה מפסיקה להבהב או נסו מארזי סוללות בעלי קיבולת גבוהה יותר.
	יחידת הכוח התחממה יתר על המידה	<ul style="list-style-type: none"> המתינו עד שיחידת הכוח תתקרר. הפחיתו את עומס העבודה.
	הגנת זרם יתר של הלוח הראשי	<ul style="list-style-type: none"> נסו להפחית את עומס העבודה

1. הסירו את ששת הברגים מהכיסוי הקדמי והסירו את המכסה הקדמי (איור 11).

2. ראש הכוח כולל שתי יציאות חיצוניות, השתמשו בזוג מצד ימין. שחררו את הברגים והסירו את החוט (איור 12).

3. הסירו את הבלוק וחברו את יחידת הכוח עם חוטים מתאימים. הקצה המתבר צריך להיות זיז מסוף וניתן לחבר אותו באמצעות ברגי M5 (איור 13).

4. אין צורך להחליף את הבלוק, ולבסוף, החליפו את המכסה הקדמי (איור 14).

הערה: עצירת יחידת הכוח באמצעות מתג בטיחות חיצוני עוצרת רק את מנוע יחידת הכוח ואינה מכבה את היחידה לחלוטין; מה שאומר שהיחידה כולה עדיין במצב הפעלה. כדי להפעיל מחדש את יחידת הכוח, יש להמשיך בחיבור החשמלי של מתג הבטיחות החיצוני.

כיבוי יחידת הכוח

PU2710/P2710RC

כדי לכבות את יחידת המתח באופן זמני, פשוט סובבו את המפתח למצב "ON".

כדי לעצור את יחידת הכוח לחלוטין, סובבו את המפתח למצב "OFF".

PU2710E

כדי לכבות את יחידת המתח באופן זמני, פשוט כבו את המתג המחובר (לא כלול).

כדי לכבות את יחידת המתח לחלוטין, סובבו את המפתח למצב "OFF" (כבוי).

הודעה: כדי למנוע הפעלה בלתי צפויה, סובבו את המקש למצב "OFF" כדי לכבות את יחידת הכוח לחלוטין.

כוונון המהירות (איור G)

סובבו את הידידת המשתנה ברציפות והשתמשו בחריץ המחוון על הידידת כדי לאתר ולבחור את המהירות בין "ECO" ל- "TURBO".

הודעה: ניתן גם להגדיר מראש את המהירות לפני שמתחילים.

G-1	חריץ מחוון
-----	------------

הפעלת ציוד התאורה

יחידת כוח זו יכולה לספק חשמל לציוד תאורה חיצוני, והמתח עולה בקנה אחד עם המתח המדורג של ראש הכוח.

1. הסירו את ששת הברגים מהכיסוי הקדמי והסירו את המכסה הקדמי (איור H1).
2. יחידת הכוח כוללת שני זוגות של יציאות חיצוניות, כאשר הזוג השמאלי הוא יציאת הפלט - השמאלי שלילי והימני חיובי (עם סימן חיובי ושלילי בממשק) (איור H2).
3. הסירו את הבלוק והשתמשו בחוטים מתאימים כדי לחבר את יחידת הכוח ואת ציוד התאורה. הקצה המחובר צריך להיות זיז מסוף וניתן לחבר אותו באמצעות ברגי M5 (איור H3).
4. אין צורך להחליף את הבלוק, ולבסוף, החליפו את המכסה הקדמי (איור H4).

הודעה: יש לחבר נת"ך של לא יותר מ 12A כדי להגן על יחידת הכוח. כל מקל למוצר שגורם עקב אי חיבור נת"ך אינו מוכסה באחריות.

חיבור למתג בטיחות חיצוני

ניתן לחבר מתג בטיחות חיצוני ליחידת הכוח, המאפשר למפעיל לעצור את יחידת הכוח בזמן במקרה חירום.

בדקו את רכיבי מטהר האוויר כדי לוודא שהם נקיים ובמצב טוב.

נקו או החליפו את הרכיבים במידת צורך, בהתאם להוראות בסעיף „טיפול המטהר האוויר“.

⚠️ זהירות: לעולם אין להפעיל את יחידת הכוח ללא מטהר האוויר. הדבר יגרום לבלאי.

חיבור/ניתוק מארז הסוללה

השתמשו רק במארזי הסוללה ובמטענים המומלצים של EGO (איור A3). לביצוע אופטימלי, מומלץ לצרף: סוללות 10Ah x 2, 12Ah x 2 או לפחות 7.5Ah x 2.

הטעינו לפני השימוש הראשון

1. לחיבור מארז הסוללה, יישרו את עורקי הסוללה עם חריצי ההולכה של יחידת הכוח ולחצו את מארז הסוללה כלפי מטה עד הישמע „קליק“ (איור E1).
2. כדי לנתק את ערכת הסוללות, הכניסו את כפתור שחרור הסוללה לחריץ ודחפו אותו לכיוון הצד הימני; הסוללה אז תשתחרר מתא הסוללה (איור E2).

E2-1	כפתור שחרור הסוללה
------	--------------------

שימו לב: ניתן לנתק את הסוללה רק באמצעות כפתור שחרור הסוללה.

הערה: אין להשאיר את כפתור שחרור הסוללה בחריץ כדי שהסוללה לא תצא בטעות.

הפעלת יחידת הכוח (איור F)

PU2710/P2710RC

1. הכניסו את המפתח לחריץ המתג חתמ גתם 45° בכיוון השעון למצב "ON", יחידת הכוח תהיה מוכנה כאשר מסך ה-LED והאור הירוק של ערכת הסוללות יפעלו.
2. סובבו שוב את המפתח 45° בכיוון השעון למצב "START", יחידת הכוח מתחילה לעבוד.

PU2710E

הודעה: בצעו תמיד את השלבים להלן כדי להפעיל את יחידת המתח. לא ניתן היה להפעיל את יחידת המתח אם המתג המחובר מופעל לפני כיבוי המפתח למצב "ON" (הפעלה).

1. הכניסו את המפתח לחריץ מתג המתח וסובבו אותו למצב "ON" (הפעלה). יחידת המתח תהיה מוכנה לעבודה כאשר מסך ה-LED והאור הירוק של מארז הסוללות יודלקו.
2. הפעילו את המתג המחובר (לא כלול), יחידת המתח מתחילה לעבוד.

הודעה: לא ניתן להוציא את המפתח מחריץ המתג כאשר יחידת הכוח מוכנה לעבודה או לפעולה.

מפרט

- 8-c. סמל מהירות סיבובית
- 8-d. מחוון רמת הסוללה
- 8-e. סמל תקלה
- 8-f. סמל חסימה
- 8-g. סמל טמפרטורה מעל המותר
- 9. ידית משתנה ברציפות*
- 10. חור/בלוק חיווט
- 11. בסיס
- 12. מוט PTO
- 13. חור הברגה למפתח
- 14. כפתור שחרור הסוללה
- 15. מפתח (2X)

***הערה:** תיבת לוח הבקרה של מתג המתח, מסך DEL והידית המשתנה ברציפות משולבים עם היחידה של E0172UP/0172UP, אך מופרדים מהיחידה של CR0172UP.

רשימת אריזה (איור A1)

הרכבה

PU2710

לא נדרשת הרכבה.

PU2710RC

חבר את תיבת לוח הבקרה ליחידת הכוח (איור 1B ו-2B)

B1-1	שקע הכבל	B1-2	תקע הכבל
B2-1	כיסוי קצה	B2-2	בורג (4x)

PU2710E

- 61. חברו את היחידה עם מתג או שווה ערך אחר (לא כלול). 1. הסירו את ששת הברגים מהכיסוי הקדמי והסירו את המכסה הקדמי (איור C1).
- 71. קיימות שתי יציאות חיצוניות שמורות בתוך ראש הכוח, שחררו את האומים (איור C2).
- 81. הסירו את הבלוק, השתמשו בחוטים מתאימים כדי לחבר את יחידת המתח ומתג התחלה או שווה ערך אחר. הקצה המחבר צריך להיות זיז מסוף וניתן לחבר אותו באמצעות האומים (איור C3).
- 91. אין צורך להחליף את הבלוק, ולבסוף, החליפו את המכסה הקדמי (איור C4).

C1-1	בורג (x6)	C2-1	אום ודסקית (x2)
C3-1	בלוק		

פעולה

בדיקת טרום הפעלה

מטהר אוויר (איור D)

וולט	56V
אורך x רוחב x גובה	344 מ"מ x 306 מ"מ x 342 מ"מ :PU2710/PU2710E 344 מ"מ x 290 מ"מ x 342 מ"מ :PU2710RC
משקל (ללא מארז סוללה)	PU2710/PU2710E: 11.4 ק"ג PU2710RC: 11.5 ק"ג
IP	IPX5
יציאת סוללה	יציאות כפולות
בקרת מהירות	מצבי אקו/טורבו (משתנה ברציפות 1200-3600 סל"ד)
אינדיקטור לד לתקלות	כן
מערכת קירור	קירור אוויר
מטהר אוויר	רשת ספוג הניתנת להחלפה בקלות
פלט חשמל נטו	3.47 kW @ 3450 סל"ד
מומנט נטו מקסימלי	9.2 N.m @ 3450 סל"ד
בלם אלקטרוני	כן
מוט PTO	אופקי
סיבוב מוט PTO	נגד כיוון השעון
מידות מוט PTO	יש לעיין באיור A2
טמפרטורת הפעלה מומלצת	15°C עד 40°C
טמפרטורת אחסון מומלצת	0°C עד 50°C

תיאור

הכירו את יחידת הכוח שלכם (איור A1)

1. מכסה תא סוללה
2. מנגנון פליטה
3. לוקר סוללה
4. כפתור שחרור הסוללה
5. כפתור נעילה
6. מטהר אוויר
7. מתג מתח*
8. מסך LED*
- 8-a. סה"כ שעות פעולה (H)
- 8-b. סמל htooteulB

הוראות בטיחות

⚠ אזהרה: קראו את כל האזהרות הבטיחות, את ההוראות, התמונות והמפרטים המסופקים ביחד עם מכשיר זה. אי מילוי כל ההוראות המופיעות למטה עלול לגרום להלם חשמלי, שרפה ו/או פציעה חמורה.

שימרו את כל האזהרות וההוראות לעיון עתידי.

- בצעו עבודות שירות ביחידת הכוח שלכם רק באמצעות סכנאי שירות מוסמך שישמש בחלקי חילוף זהים בלבד. הדבר יבטיח שבטיחות יחידת הכוח נשמרת.
- פעלו בזהירות יתירה בעת הפעלת יחידת הכוח מבלי לחבר אליה את הכלי באופן מלא.
- אל תשתמש במארז סוללה או מכשיר חשמלי ניזוקים או אשר שונו. סוללות ניזוקות או אשר שונו עלולות להתנהג בצורה לא צפויה אשר עלולה להסתיים בשרפה, פיצוץ או סיכון לפציעה אישית.
- אל תחשפו את מארז הסוללה או את המכשיר לאש או לטמפרטורות גבוהות. חשיפה אל אש או טמפרטורות הגבוהות מ-130°C עלולה לגרום לפיצוץ.
- בצעו את כל הוראות ההטענה ואל תטעינו את מארז הסוללה או את הכלי החשמלי מחוץ לטווחי הטמפרטורה המצוינים בהוראות אלו. הטענה לא נכונה או מחוץ לטווחי הטמפרטורה המצוינים עלולים לגרום לנזק ולהעלות את הסיכון לשרפה.
- אין לנסות לתקן מארזי סוללה שניזוקו. תיקון שלמארזי סוללה צריך להתבצע רק על ידי היצרן או ספקי שירות מוסמכים.
- עיין במדריך ההוראות של מארז הסוללה לאזהרות על מארזי סוללה.

סמלי בטיחות

⚠ אזהרה: הפעלה של כלי עבודה חשמליים עלולה לגרום לעצמים זרים להיזרק אל תוך העיניים, דבר העלול לגרום לנזק חמור לעיניים. לפני ההפעלה של כלי עבודה חשמלי, ענדו תמיד משקפי מגן או משקפי בטיחות עם הגנה צדדית, ובעת הצורך, הגנה עבור כל הפנים. אנו ממליצים על שימוש במסכת בטיחות רחבה מעל למשקפי המגן או על שימוש במשקפי בטיחות עם הגנה צדדית.

אין לזרוק מוצרים חשמליים עם האשפה הביתית. יש להביא את המכשיר למרכז מחזור מוסמך.



זרם ישיר

- שימרו על סביבת העבודה נקייה ומוארת כהלכה. סביבות לא מסודרות ואפלות מזמינות תאונות.
- אל תפעילו את יחידת הכוח באזורים דליקים, בנוכחות נוזלים דליקים, גזים או אבק.
- הסחות דעת עלולות לגרום לכם לאבד שליטה.
- התאימו את השקע (אם רלוונטי) לתקע המתאים. לעולם אל תשנו את השקע ואת התקע בכל צורה שהיא. תקעים שלא שונו ושקעים מתאימים יפחיתו את הסיכון להתחשמלות.
- הישארו דרוכים, הביטו במה שאתם עושים והשתמשו בשכל הישר כאשר אתם מפעילים את יחידת הכוח. אין להשתמש ביחידת הכוח כאשר אתם עייפים או תחת השפעה של סמים, אלכוהול או תרופות. רגע אחד של חוסר תשומת לב בעת הפעלת יחידת הכוח עלול לגרום לפציעה אישית חמורה.
- השתמשו בצידוד הגנה אישי. כאשר נעשה שימוש בצידוד הגנה כגון מסכת אבק, נעלי בטיחות נגד החלקה, קסדות או מגני אוזניים, בתנאים המתאימים, הדבר יפחית את הסיכון לפציעות אישיות חמורות.
- יש ללבוש בגדים מתאימים. אין ללבוש בגדים רפויים או תכשיטים. יש לשמור על השיער ועל חלקי ביגוד הרחק מחלקים נעים. בגדים רפויים, תכשיטים או שיער ארוך עלולים להיתפס בחלקים הנעים.
- נקטו זהירות בעת השימוש במכשיר החשמלי גם לאחר שאתם בקיאים בשימוש, ואל תיתנו לנוחיות השימוש שלכם להפוך אותכם לשאננים ולהתעלם מעקרונות הבטיחות. פעולה לא זהירה עלולה לגרום לפציעה חמורה בשבריר שנייה.



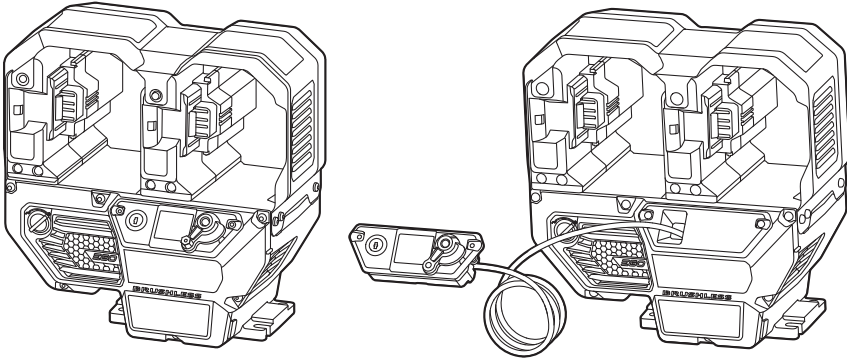
יש לקרוא ולהבין את המדריך למפעיל

IPX5 רמת הגנת כניסה

V וולט

EGO™

POWER⁺ POWER UNIT



PU2710/PU2710E/PU2710RC

יחידת כוח אוניברסלית	HE
وحدة طاقة شاملة	AR

